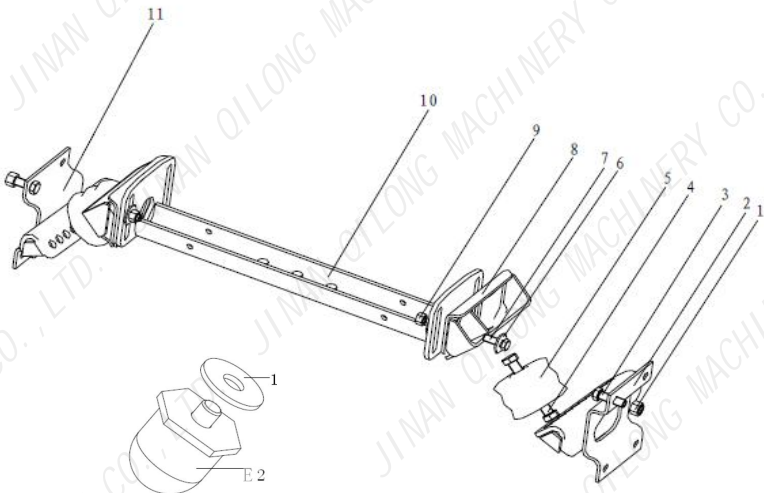








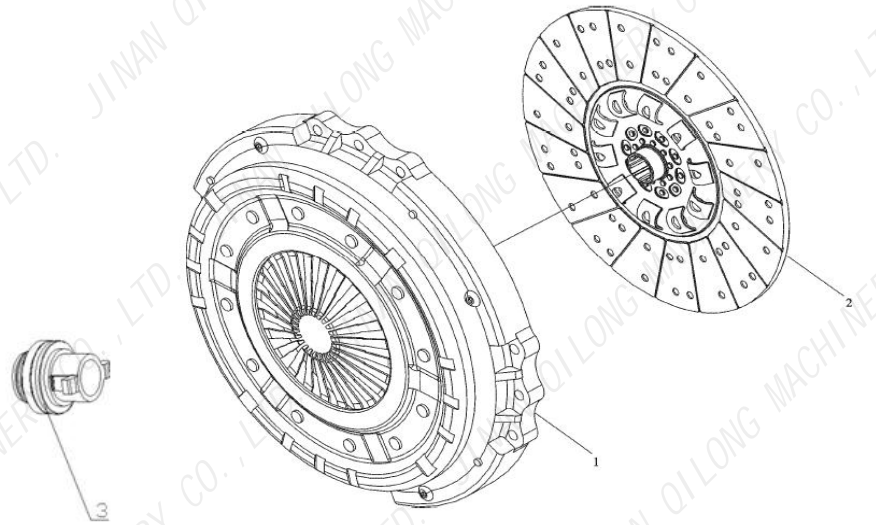
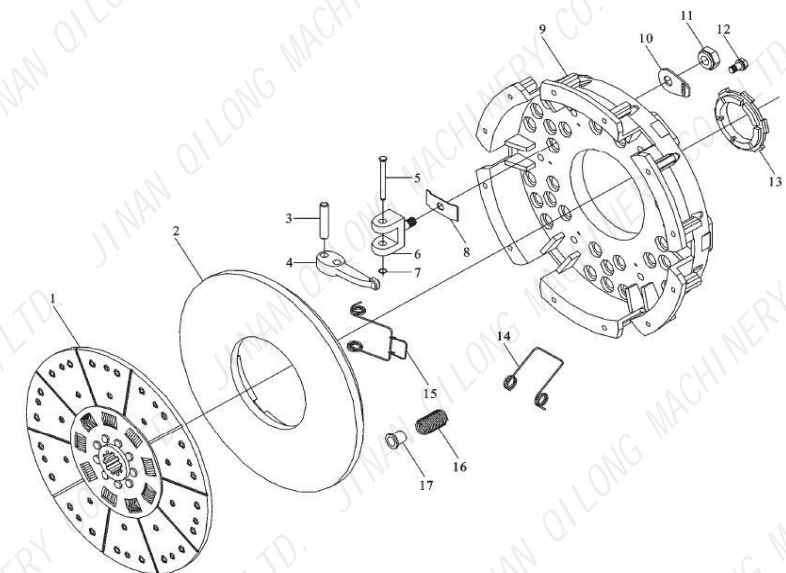


SHACMAN(1)

GEAR BOX SUPPORT		NO.55															
		KD0932															
			<table border="1"> <tr><td>Part No.</td><td>DZ9112590885</td></tr> <tr><td>CH part name</td><td>横梁总成</td></tr> <tr><td>EN part name</td><td>Cross member assy</td></tr> <tr><td>RU part name</td><td>кросс - астрид</td></tr> <tr><td>Size:mm</td><td></td></tr> <tr><td>Weight:kg</td><td>4.8</td></tr> <tr><td>NO.</td><td>NO.55-10</td></tr> </table>	Part No.	DZ9112590885	CH part name	横梁总成	EN part name	Cross member assy	RU part name	кросс - астрид	Size:mm		Weight:kg	4.8	NO.	NO.55-10
Part No.	DZ9112590885																
CH part name	横梁总成																
EN part name	Cross member assy																
RU part name	кросс - астрид																
Size:mm																	
Weight:kg	4.8																
NO.	NO.55-10																
		Remarks:SHACMAN F3000 DZ95259590050															
		KD0933															
			<table border="1"> <tr><td>Part No.</td><td>DZ9118593004</td></tr> <tr><td>CH part name</td><td>横梁总成</td></tr> <tr><td>EN part name</td><td>Cross member assy</td></tr> <tr><td>RU part name</td><td>кросс - астрид</td></tr> <tr><td>Size:mm</td><td></td></tr> <tr><td>Weight:kg</td><td>4.8</td></tr> <tr><td>NO.</td><td>NO.55-10</td></tr> </table>	Part No.	DZ9118593004	CH part name	横梁总成	EN part name	Cross member assy	RU part name	кросс - астрид	Size:mm		Weight:kg	4.8	NO.	NO.55-10
Part No.	DZ9118593004																
CH part name	横梁总成																
EN part name	Cross member assy																
RU part name	кросс - астрид																
Size:mm																	
Weight:kg	4.8																
NO.	NO.55-10																
		Remarks:SHACMAN F3000															
KD0934																	
	<table border="1"> <tr><td>Part No.</td><td>AZ9112590099</td></tr> <tr><td>CH part name</td><td>变速器悬置横梁</td></tr> <tr><td>EN part name</td><td>Cross member assy</td></tr> <tr><td>RU part name</td><td>кросс - астрид</td></tr> <tr><td>Size:mm</td><td>6400*1700*820</td></tr> <tr><td>Weight:kg</td><td>5.02</td></tr> <tr><td>NO.</td><td>NO.55-10</td></tr> </table>	Part No.	AZ9112590099	CH part name	变速器悬置横梁	EN part name	Cross member assy	RU part name	кросс - астрид	Size:mm	6400*1700*820	Weight:kg	5.02	NO.	NO.55-10		
Part No.	AZ9112590099																
CH part name	变速器悬置横梁																
EN part name	Cross member assy																
RU part name	кросс - астрид																
Size:mm	6400*1700*820																
Weight:kg	5.02																
NO.	NO.55-10																
		Remarks:SHACMAN F2000 199112590100															
KD0935																	
	<table border="1"> <tr><td>Part No.</td><td>DZ9114590125</td></tr> <tr><td>CH part name</td><td>橡胶缓冲块</td></tr> <tr><td>EN part name</td><td>Rubber pad</td></tr> <tr><td>RU part name</td><td>резиновые фон</td></tr> <tr><td>Size:mm</td><td></td></tr> <tr><td>Weight:kg</td><td>0.32</td></tr> <tr><td>NO.</td><td>NO.55-5</td></tr> </table>	Part No.	DZ9114590125	CH part name	橡胶缓冲块	EN part name	Rubber pad	RU part name	резиновые фон	Size:mm		Weight:kg	0.32	NO.	NO.55-5		
Part No.	DZ9114590125																
CH part name	橡胶缓冲块																
EN part name	Rubber pad																
RU part name	резиновые фон																
Size:mm																	
Weight:kg	0.32																
NO.	NO.55-5																
		Remarks:SHACMAN F2000 F3000															
KD0936																	
	<table border="1"> <tr><td>Part No.</td><td>AZ9100591002</td></tr> <tr><td>CH part name</td><td>变速器辅助支承</td></tr> <tr><td>EN part name</td><td>Gear box assistant support</td></tr> <tr><td>RU part name</td><td>коробка передач помощник поддержки</td></tr> <tr><td>Size:mm</td><td></td></tr> <tr><td>Weight:kg</td><td>0.12</td></tr> <tr><td>NO.</td><td>NO.55-E2</td></tr> </table>	Part No.	AZ9100591002	CH part name	变速器辅助支承	EN part name	Gear box assistant support	RU part name	коробка передач помощник поддержки	Size:mm		Weight:kg	0.12	NO.	NO.55-E2		
Part No.	AZ9100591002																
CH part name	变速器辅助支承																
EN part name	Gear box assistant support																
RU part name	коробка передач помощник поддержки																
Size:mm																	
Weight:kg	0.12																
NO.	NO.55-E2																
		Remarks:SHACMAN F2000															
KD0937																	
	<table border="1"> <tr><td>Part No.</td><td>ZQC2000</td></tr> <tr><td>CH part name</td><td>分动箱</td></tr> <tr><td>EN part name</td><td>TRANSFER GEAR BOX</td></tr> <tr><td>RU part name</td><td>передача коробки передач</td></tr> <tr><td>Size:mm</td><td></td></tr> <tr><td>Weight:kg</td><td>195</td></tr> <tr><td>NO.</td><td></td></tr> </table>	Part No.	ZQC2000	CH part name	分动箱	EN part name	TRANSFER GEAR BOX	RU part name	передача коробки передач	Size:mm		Weight:kg	195	NO.			
Part No.	ZQC2000																
CH part name	分动箱																
EN part name	TRANSFER GEAR BOX																
RU part name	передача коробки передач																
Size:mm																	
Weight:kg	195																
NO.																	
		Remarks:SHACMAN F2000 F3000 8*4															

SHACMAN(1)

PULL DIAPHRAGM CLUTCH		NO.49																													
		KD0852																													
			<table border="1"> <tr><td>Part No.</td><td>DZ9114160035</td></tr> <tr><td>CH part name</td><td>拉式分离轴承</td></tr> <tr><td>EN part name</td><td>Release bearing with seat</td></tr> <tr><td>RU part name</td><td>Выжимной подшипник</td></tr> <tr><td>Size:mm</td><td>155*155*120</td></tr> <tr><td>Weight:kg</td><td>2.9</td></tr> <tr><td>NO.O</td><td>NO.49-3</td></tr> </table>	Part No.	DZ9114160035	CH part name	拉式分离轴承	EN part name	Release bearing with seat	RU part name	Выжимной подшипник	Size:mm	155*155*120	Weight:kg	2.9	NO.O	NO.49-3														
		Part No.	DZ9114160035																												
		CH part name	拉式分离轴承																												
EN part name	Release bearing with seat																														
RU part name	Выжимной подшипник																														
Size:mm	155*155*120																														
Weight:kg	2.9																														
NO.O	NO.49-3																														
Remarks: SHACMAN F2000 F3000 DZ9114160023 DZ9114160044 DZ9112210015																															
KD0853			<table border="1"> <tr><td>Part No.</td><td>DZ9114160026</td></tr> <tr><td>CH part name</td><td>430推式压盘总成</td></tr> <tr><td>EN part name</td><td>430 Platen assy.</td></tr> <tr><td>RU part name</td><td>Корзина сцепления 430 в сборе</td></tr> <tr><td>Size:mm</td><td>500*500*130</td></tr> <tr><td>Weight:kg</td><td>38</td></tr> <tr><td>NO.</td><td>NO.50-1</td></tr> </table>	Part No.	DZ9114160026	CH part name	430推式压盘总成	EN part name	430 Platen assy.	RU part name	Корзина сцепления 430 в сборе	Size:mm	500*500*130	Weight:kg	38	NO.	NO.50-1														
Part No.	DZ9114160026																														
CH part name	430推式压盘总成																														
EN part name	430 Platen assy.																														
RU part name	Корзина сцепления 430 в сборе																														
Size:mm	500*500*130																														
Weight:kg	38																														
NO.	NO.50-1																														
Remarks: SHACMAN F2000 F3000 DZ9114160028																															
KD0854		KD0855																													
	<table border="1"> <tr><td>Part No.</td><td>161560160001</td></tr> <tr><td>CH part name</td><td>推式从动盘</td></tr> <tr><td>EN part name</td><td>420 Clutch disc</td></tr> <tr><td>RU part name</td><td>Диск сцепления</td></tr> <tr><td>Size:mm</td><td>420*420*65</td></tr> <tr><td>Weight:kg</td><td>8.45</td></tr> <tr><td>NO.</td><td>NO.50-2</td></tr> </table>	Part No.	161560160001	CH part name	推式从动盘	EN part name	420 Clutch disc	RU part name	Диск сцепления	Size:mm	420*420*65	Weight:kg	8.45	NO.	NO.50-2		<table border="1"> <tr><td>Part No.</td><td>161560160001</td></tr> <tr><td>CH part name</td><td>推式从动盘</td></tr> <tr><td>EN part name</td><td>420 Clutch disc</td></tr> <tr><td>RU part name</td><td>Диск сцепления</td></tr> <tr><td>Size:mm</td><td>420*420*65</td></tr> <tr><td>Weight:kg</td><td>8.45</td></tr> <tr><td>NO.</td><td>NO.50-2</td></tr> </table>	Part No.	161560160001	CH part name	推式从动盘	EN part name	420 Clutch disc	RU part name	Диск сцепления	Size:mm	420*420*65	Weight:kg	8.45	NO.	NO.50-2
Part No.	161560160001																														
CH part name	推式从动盘																														
EN part name	420 Clutch disc																														
RU part name	Диск сцепления																														
Size:mm	420*420*65																														
Weight:kg	8.45																														
NO.	NO.50-2																														
Part No.	161560160001																														
CH part name	推式从动盘																														
EN part name	420 Clutch disc																														
RU part name	Диск сцепления																														
Size:mm	420*420*65																														
Weight:kg	8.45																														
NO.	NO.50-2																														
Remarks: SHACMAN F2000		Remarks: SHACMAN F2000																													
KD0856		KD0857																													
	<table border="1"> <tr><td>Part No.</td><td>DZ9114160034FLH3</td></tr> <tr><td>CH part name</td><td>分离环</td></tr> <tr><td>EN part name</td><td>Ring</td></tr> <tr><td>RU part name</td><td>кольцо</td></tr> <tr><td>Size:mm</td><td></td></tr> <tr><td>Weight:kg</td><td>0.12</td></tr> <tr><td>NO.</td><td>NO.49-4</td></tr> </table>	Part No.	DZ9114160034FLH3	CH part name	分离环	EN part name	Ring	RU part name	кольцо	Size:mm		Weight:kg	0.12	NO.	NO.49-4		<table border="1"> <tr><td>Part No.</td><td>DZ9114160034FLH6</td></tr> <tr><td>CH part name</td><td>分离环</td></tr> <tr><td>EN part name</td><td>Ring</td></tr> <tr><td>RU part name</td><td>кольцо</td></tr> <tr><td>Size:mm</td><td></td></tr> <tr><td>Weight:kg</td><td>0.15</td></tr> <tr><td>NO.</td><td>NO.49-4</td></tr> </table>	Part No.	DZ9114160034FLH6	CH part name	分离环	EN part name	Ring	RU part name	кольцо	Size:mm		Weight:kg	0.15	NO.	NO.49-4
Part No.	DZ9114160034FLH3																														
CH part name	分离环																														
EN part name	Ring																														
RU part name	кольцо																														
Size:mm																															
Weight:kg	0.12																														
NO.	NO.49-4																														
Part No.	DZ9114160034FLH6																														
CH part name	分离环																														
EN part name	Ring																														
RU part name	кольцо																														
Size:mm																															
Weight:kg	0.15																														
NO.	NO.49-4																														
Remarks: SHACMAN F2000 F3000		Remarks: SHACMAN F2000 F3000																													

SHACMAN(1)

PUSH DIAPHRAGM CLUTCH NO.50			PUSH DIAPHRAGM CLUTCH NO.A50		
					
KD0858			KD0859		
	Part No.	BZ1560161212	Part No.	BZ1560161096	
	CH part name	分离环	CH part name	离合器分离杆	
	EN part name	Ring	EN part name	Separation lever assembly	
	RU part name	кольцо	RU part name	разделение рычаг в сборе	
	Size:mm		Size:mm		
	Weight:kg	0.3	Weight:kg	0.04	
NO.	NO.A50-13	NO.	NO.A50-4		
Remarks:SHACMAN F2000 奥龙			Remarks:SHACMAN F2000 奥龙		
KD0860			KD0861		
	Part No.	199114160013	Part No.	DZ9112210015	
	CH part name	膜片压盘420	CH part name	推式分离轴承	
	EN part name	Platen	EN part name	Release bearing	
	RU part name	Корзина сцепления	RU part name	Выжимной подшипник	
	Size:mm	480*480*110	Size:mm	155*155*120	
	Weight:kg	50.15	Weight:kg	2.5	
NO.	NO.A50	NO.	NO.50-3		
Remarks: SHACMAN F2000 BZ1560161090			Remarks: SHACMAN F2000 F3000		

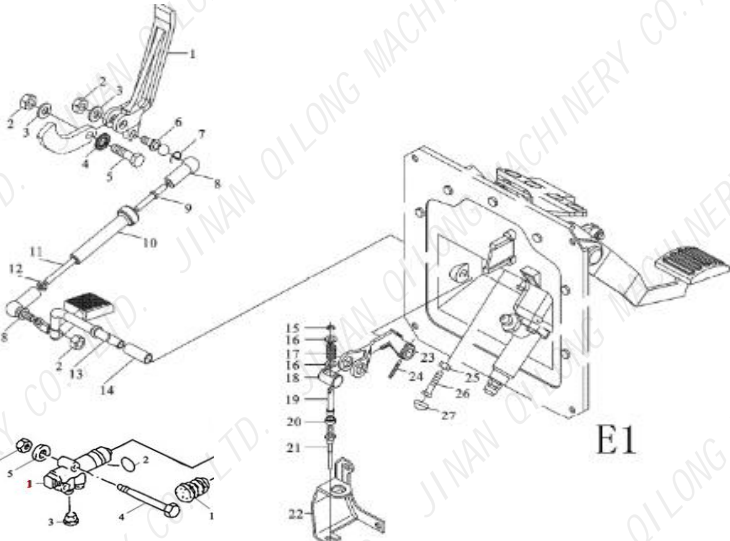




SHACMAN(1)

	<table border="1"> <tr><td>Part No.</td><td>DZ9112230166</td></tr> <tr><td>CH part name</td><td>推式离合器助力器</td></tr> <tr><td>EN part name</td><td>Operating cylinder</td></tr> <tr><td>RU part name</td><td>Усилитель сцепления</td></tr> <tr><td>Size:mm</td><td>260*110*110</td></tr> <tr><td>Weight:kg</td><td>2.45</td></tr> <tr><td>NO.</td><td>NO.B51-6</td></tr> </table>	Part No.	DZ9112230166	CH part name	推式离合器助力器	EN part name	Operating cylinder	RU part name	Усилитель сцепления	Size:mm	260*110*110	Weight:kg	2.45	NO.	NO.B51-6		<table border="1"> <tr><td>Part No.</td><td>DZ9112230020</td></tr> <tr><td>CH part name</td><td>推式分离摇臂</td></tr> <tr><td>EN part name</td><td>Release arm</td></tr> <tr><td>RU part name</td><td>Выжимной рычаг</td></tr> <tr><td>Size:mm</td><td>280*130*65</td></tr> <tr><td>Weight:kg</td><td>1.35</td></tr> <tr><td>NO.</td><td>NO.B51-1</td></tr> </table>	Part No.	DZ9112230020	CH part name	推式分离摇臂	EN part name	Release arm	RU part name	Выжимной рычаг	Size:mm	280*130*65	Weight:kg	1.35	NO.	NO.B51-1
Part No.	DZ9112230166																														
CH part name	推式离合器助力器																														
EN part name	Operating cylinder																														
RU part name	Усилитель сцепления																														
Size:mm	260*110*110																														
Weight:kg	2.45																														
NO.	NO.B51-6																														
Part No.	DZ9112230020																														
CH part name	推式分离摇臂																														
EN part name	Release arm																														
RU part name	Выжимной рычаг																														
Size:mm	280*130*65																														
Weight:kg	1.35																														
NO.	NO.B51-1																														
Remarks: SHACMAN F2000 F3000		Remarks: SHACMAN F2000 F3000																													
	<table border="1"> <tr><td>Part No.</td><td>DZ93189230080</td></tr> <tr><td>CH part name</td><td>整体式离合器分泵</td></tr> <tr><td>EN part name</td><td>Operating cylinder</td></tr> <tr><td>RU part name</td><td>Усилитель сцепления</td></tr> <tr><td>Size:mm</td><td></td></tr> <tr><td>Weight:kg</td><td>2.45</td></tr> <tr><td>NO.</td><td>NO.B51-6</td></tr> </table>	Part No.	DZ93189230080	CH part name	整体式离合器分泵	EN part name	Operating cylinder	RU part name	Усилитель сцепления	Size:mm		Weight:kg	2.45	NO.	NO.B51-6		<table border="1"> <tr><td>Part No.</td><td>DZ96259230420</td></tr> <tr><td>CH part name</td><td>离合器油管</td></tr> <tr><td>EN part name</td><td>Tube</td></tr> <tr><td>RU part name</td><td>Шланг</td></tr> <tr><td>Size:mm</td><td>4200*30*30</td></tr> <tr><td>Weight:kg</td><td>0.8</td></tr> <tr><td>NO.</td><td>NO.B51-11</td></tr> </table>	Part No.	DZ96259230420	CH part name	离合器油管	EN part name	Tube	RU part name	Шланг	Size:mm	4200*30*30	Weight:kg	0.8	NO.	NO.B51-11
Part No.	DZ93189230080																														
CH part name	整体式离合器分泵																														
EN part name	Operating cylinder																														
RU part name	Усилитель сцепления																														
Size:mm																															
Weight:kg	2.45																														
NO.	NO.B51-6																														
Part No.	DZ96259230420																														
CH part name	离合器油管																														
EN part name	Tube																														
RU part name	Шланг																														
Size:mm	4200*30*30																														
Weight:kg	0.8																														
NO.	NO.B51-11																														
Remarks: SHACMAN		Remarks: SHACMAN F2000 F3000 DZ9112230011 DZ93259230254																													
	<table border="1"> <tr><td>Part No.</td><td>DZ9112230166</td></tr> <tr><td>CH part name</td><td>推式离合器助力器</td></tr> <tr><td>EN part name</td><td>Operating cylinder</td></tr> <tr><td>RU part name</td><td>Усилитель сцепления</td></tr> <tr><td>Size:mm</td><td>290*120*120</td></tr> <tr><td>Weight:kg</td><td>2.6</td></tr> <tr><td>NO.</td><td>NO.B51-6</td></tr> </table>	Part No.	DZ9112230166	CH part name	推式离合器助力器	EN part name	Operating cylinder	RU part name	Усилитель сцепления	Size:mm	290*120*120	Weight:kg	2.6	NO.	NO.B51-6		<table border="1"> <tr><td>Part No.</td><td>DZ95259230420</td></tr> <tr><td>CH part name</td><td>拉式离合器分泵油管</td></tr> <tr><td>EN part name</td><td>Tube</td></tr> <tr><td>RU part name</td><td>Шланг</td></tr> <tr><td>Size:mm</td><td>4200*30*30</td></tr> <tr><td>Weight:kg</td><td>0.8</td></tr> <tr><td>NO.</td><td>NO.51-3</td></tr> </table>	Part No.	DZ95259230420	CH part name	拉式离合器分泵油管	EN part name	Tube	RU part name	Шланг	Size:mm	4200*30*30	Weight:kg	0.8	NO.	NO.51-3
Part No.	DZ9112230166																														
CH part name	推式离合器助力器																														
EN part name	Operating cylinder																														
RU part name	Усилитель сцепления																														
Size:mm	290*120*120																														
Weight:kg	2.6																														
NO.	NO.B51-6																														
Part No.	DZ95259230420																														
CH part name	拉式离合器分泵油管																														
EN part name	Tube																														
RU part name	Шланг																														
Size:mm	4200*30*30																														
Weight:kg	0.8																														
NO.	NO.51-3																														
Remarks: SHACMAN F3000		Remarks: SHACMAN F2000 F3000 DZ9112230009																													
	<table border="1"> <tr><td>Part No.</td><td>DZ93189230090</td></tr> <tr><td>CH part name</td><td>离合器总泵</td></tr> <tr><td>EN part name</td><td>Operating cylinder</td></tr> <tr><td>RU part name</td><td>Усилитель сцепления</td></tr> <tr><td>Size:mm</td><td>160*180*53</td></tr> <tr><td>Weight:kg</td><td>0.83</td></tr> <tr><td>NO.</td><td>NO.51-11</td></tr> </table>	Part No.	DZ93189230090	CH part name	离合器总泵	EN part name	Operating cylinder	RU part name	Усилитель сцепления	Size:mm	160*180*53	Weight:kg	0.83	NO.	NO.51-11		<table border="1"> <tr><td>Part No.</td><td>DZ9112230178</td></tr> <tr><td>CH part name</td><td>拉式离合器助力器</td></tr> <tr><td>EN part name</td><td>Operating cylinder</td></tr> <tr><td>RU part name</td><td>Усилитель сцепления</td></tr> <tr><td>Size:mm</td><td>310*110*110</td></tr> <tr><td>Weight:kg</td><td>2.6</td></tr> <tr><td>NO.</td><td>NO.51-9</td></tr> </table>	Part No.	DZ9112230178	CH part name	拉式离合器助力器	EN part name	Operating cylinder	RU part name	Усилитель сцепления	Size:mm	310*110*110	Weight:kg	2.6	NO.	NO.51-9
Part No.	DZ93189230090																														
CH part name	离合器总泵																														
EN part name	Operating cylinder																														
RU part name	Усилитель сцепления																														
Size:mm	160*180*53																														
Weight:kg	0.83																														
NO.	NO.51-11																														
Part No.	DZ9112230178																														
CH part name	拉式离合器助力器																														
EN part name	Operating cylinder																														
RU part name	Усилитель сцепления																														
Size:mm	310*110*110																														
Weight:kg	2.6																														
NO.	NO.51-9																														
Remarks: SHACMAN F2000 F3000		Remarks: SHACMAN F2000 F3000																													

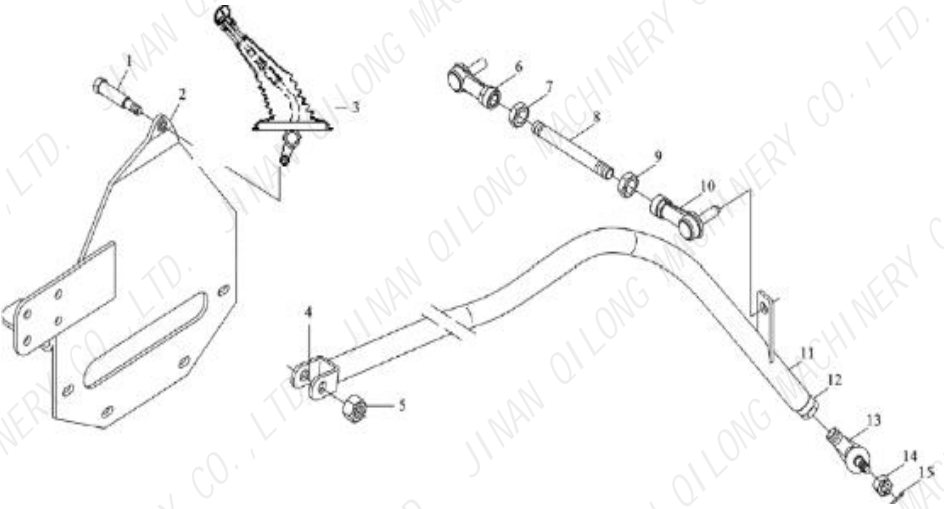

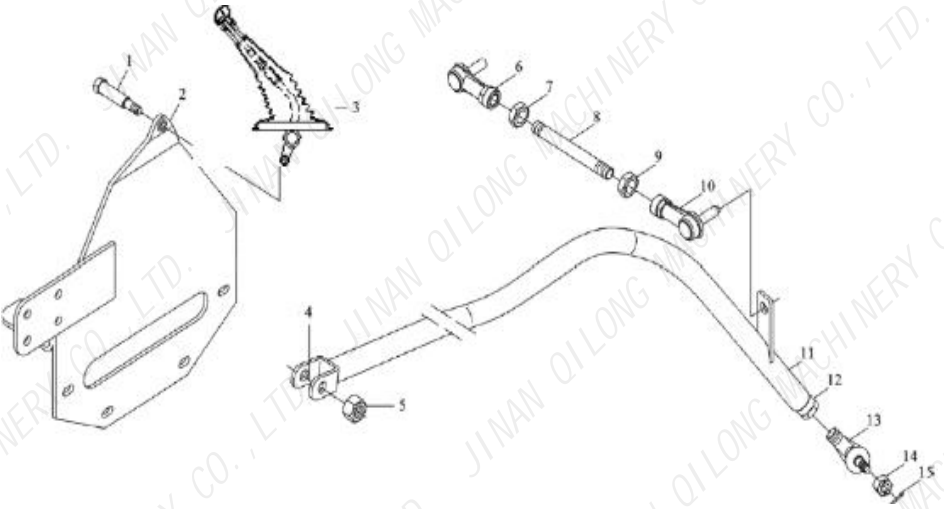





SHACMAN(1)

PULL CLUTCH CONTROL DEVICE			NO.51			PUSH CLUTCH CONTROL DEVICE			NO.B51		
KD0870						KD0871					
	Part No.	DZ9112230181					Part No.	DZ9114230020			
	CH part name	拉式离合器助力器					CH part name	德龙离合器总成			
	EN part name	Operating cylinder					EN part name	Clutch master cylinder			
	RU part name	Усилитель сцепления					RU part name	Цилиндр главный сцепления			
	Size:mm	290*120*120					Size:mm	160*180*53			
	Weight:kg	2.6					Weight:kg	0.9			
	NO.	NO.51-9					NO.	NO.B51-13			
Remarks:SHACMAN F3000						Remarks:SHACMAN F2000 F3000					
KD0872						KD0873					
	Part No.	DZ97189230500					Part No.	DZ9114230021			
	CH part name	踏板机构总成 EGR					CH part name	离合器总泵储液罐			
	EN part name	Pedal mechanism					EN part name	Clutch master cylinder tanker			
	RU part name	механизма педали					RU part name	Главный гидронасос сцепления			
	Size:mm						Size:mm	230*230*250			
	Weight:kg	15					Weight:kg	0.03			
	NO.	NO.52-E1					NO.	NO.B51-14			
Remarks:SHACMAN F3000 M3000 新M3000 DZ97189230510						Remarks:SHACMAN F2000 F3000					


SHACMAN(1)

CONTROL VALVE WITH /OPERATING MECHANISM		NO.52		
			KD0874	
				
		Remarks: SHACMAN F2000 奥龙 DZ9112230001 81.48220.0106		
		KD0875		
				
		Remarks:SHACMAN M3000国II改进型		
KD0876			KD0877	
	Part No.	81.52170.6156	Part No.	DZ92189230310
	CH part name	离合器操纵控阀	CH part name	踏板机构总成
	EN part name	Manipulating valve	EN part name	Pedal mechanism
	RU part name	Клапан сцепления пневматический	RU part name	механизма педали
	Size:mm	72*56*22	Size:mm	
	Weight:kg	0.13	Weight:kg	15
	NO.	NO.52-1	NO.	NO.52-E1
Remarks:SHACMAN F2000 F3000		Remarks:SHACMAN F2000 F3000 奥龙		
KD0878			KD0879	
	Part No.	DZ93259240094	Part No.	81.32670.6184
	CH part name	9档变速杆总成	CH part name	变速杆总成9档
	EN part name	Shift rod assy.	EN part name	Shift rod assy.
	RU part name	Рычаг переключения скорости в сборе	RU part name	Рычаг переключения скорости в сборе
	Size:mm	550*260*260	Size:mm	500*260*260
	Weight:kg	3.75	Weight:kg	4.05
	NO.	NO.53-3	NO.	NO.53-3
Remarks:SHACMAN F2000 F3000 加长50		Remarks:SHACMAN F2000 F3000		

SHACMAN(1)

SHIFTING DEVECE		NO.53			
		KD0880			
			Part No.	DZ93259246184	
			CH part name	变速杆总成	
			EN part name	Shift rod assy.	
			RU part name	Рычаг переключения скорости в сборе	
			Size:mm	500*260*260	
			Weight:kg	4.05	
			NO.	NO.53-3	
		Remarks:SHACMAN F2000 F3000			
				KD0881	
	Part No.			SZ924000743	
	CH part name			9档变速杆总成	
	EN part name			Shift rod assy.	
	RU part name			Рычаг переключения скорости в сборе	
	Size:mm			500*260*260	
	Weight:kg			3.9	
	NO.			NO.53-3	
Remarks:SHACMAN F2000 F3000					
KD0882				KD0883	
	Part No.	SZ924000862			
	CH part name	换挡杆总成			
	EN part name	Shift rod assy.			
	RU part name	Рычаг переключения скорости в сборе			
	Size:mm	500*260*260			
	Weight:kg	3.75			
	NO.	NO.53-3			
Remarks:SHACMAN F3000		Remarks:SHACMAN F3000 DZ9114240026			
KD0884		KD0885			
	Part No.	DZ9112240028			
	CH part name	换挡操纵杆			
	EN part name	Vertical rod assy.			
	RU part name	Тяга рычага переключения скоростей			
	Size:mm	1450*180*40			
	Weight:kg	3.8			
	NO.	NO.53-11			
Remarks:SHACMAN F2000 F3000		Remarks:SHACMAN F2000 F3000			
	Part No.	DZ95259240015			
	CH part name	换挡操纵杆			
	EN part name	Vertical rod assy.			
	RU part name	Тяга рычага переключения скоростей			
	Size:mm				
	Weight:kg	3.6			
	NO.	NO.53-11			

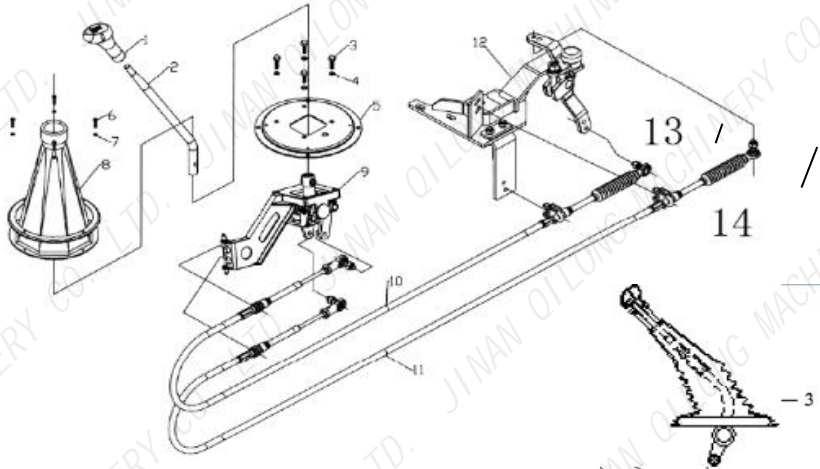






SHACMAN(1)

KD0886			KD0887		
	Part No.	DZ96259240585		Part No.	DZ96259240515
	CH part name	伸缩拉杆总成		CH part name	换挡操纵杆
	EN part name	Vertical rod assy.		EN part name	Vertical rod assy.
	RU part name	Тяга рычага переключения скоростей		RU part name	Тяга рычага переключения скоростей
	Size:mm			Size:mm	
	Weight:kg	5.2		Weight:kg	3.8
	NO.	NO.53-11		NO.	NO.53-11
Remarks:SHACMAN M3000			Remarks:SHACMAN M3000		
KD0888			KD0889		
	Part No.	DZ96259240524		Part No.	DZ96259240525
	CH part name	换挡杆支架		CH part name	换挡操纵杆
	EN part name	Bracket		EN part name	Vertical rod assy.
	RU part name	кронштейн		RU part name	Тяга рычага переключения скоростей
	Size:mm			Size:mm	
	Weight:kg	1.5		Weight:kg	3.5
	NO.	NO.53-2		NO.	NO.53-11
Remarks:SHACMAN M3000			Remarks:SHACMAN M3000 F3000		
KD0890			KD0891		
	Part No.	DZ96259240513		Part No.	189000240031
	CH part name	换挡杆支架总成		CH part name	换挡球头
	EN part name	Bracket		EN part name	Ball joint
	RU part name	кронштейн		RU part name	Настройка мяч головой
	Size:mm			Size:mm	145*120*50
	Weight:kg	1.25		Weight:kg	0.4
	NO.	NO.53-2		NO.	NO.53-13
Remarks:SHACMAN F3000			Remarks:SHACMAN F2000		
KD0892			KD0893		
	Part No.	199100240090		Part No.	199112240122
	CH part name	换挡调整球头		CH part name	换挡调整球头
	EN part name	Ball joint		EN part name	Ball joint
	RU part name	Настройка мяч головой		RU part name	Настройка мяч головой
	Size:mm			Size:mm	
	Weight:kg	0.168		Weight:kg	0.168
	NO.	NO.53-10		NO.	NO.53-6
Remarks:SHACMAN F2000			Remarks:SHACMAN F2000		

SHACMAN(1)

KD0894			KD0895		
	Part No.	DZ9112240701		Part No.	1-99-951-042
	CH part name	换挡调节杆		CH part name	换挡调节杆带球头
	EN part name	Bolt		EN part name	Bolt
	RU part name	болт		RU part name	болт
	Size:mm	280*12*12		Size:mm	310*12*12
	Weight:kg	0.33		Weight:kg	0.5
	NO.	NO.53-8		NO.	NO.53-8-6-10
Remarks: SHACMAN F2000			Remarks: SHACMAN F2000		
KD0896			KD0897		
	Part No.	DZ95259240333		Part No.	81.96420.0324
	CH part name	新中间换力器		CH part name	变速杆防尘罩
	EN part name	Controller assy.		EN part name	Dust cover
	RU part name	Блок управления		RU part name	пылезащитный чехол
	Size:mm			Size:mm	470*260*260
	Weight:kg	4.8		Weight:kg	0.56
	NO.	NO.54-12		NO.	NO.54-8
Remarks:SHACMAN M3000			Remarks:SHACMAN F2000 F3000 M3000 X3000		
KD0898			KD0899		
	Part No.	DZ91259240128		Part No.	DZ9114240564
	CH part name	操纵器总成		CH part name	变速杆防尘罩
	EN part name	Controller assy.		EN part name	Dust cover
	RU part name	Блок управления		RU part name	пылезащитный чехол
	Size:mm	280*180*150		Size:mm	470*260*260
	Weight:kg	3.8		Weight:kg	0.56
	NO.	NO.54-9		NO.	NO.54-8
Remarks:SHACMAN F3000			Remarks:SHACMAN F3000		
KD0900			KD0901		
	Part No.	DZ9114240533		Part No.	DZ91259240163
	CH part name	操纵器		CH part name	操纵器总成
	EN part name	Controller assy.		EN part name	Controller assy.
	RU part name	Блок управления		RU part name	Блок управления
	Size:mm	280*180*150		Size:mm	280*180*150
	Weight:kg	3.5		Weight:kg	3.6
	NO.	NO.54-9		NO.	NO.54-9
Remarks:SHACMAN F3000			Remarks:SHACMAN F3000 新M3000		

SHACMAN(1)

SHIFTING DEVECE		NO.54		
	KD0902			
			Part No. DZ9114240536	
			CH part name 固定板	
			EN part name Fixed plate	
			RU part name крепления пластины	
			Size:mm 260*260*0.2	
			Weight:kg 0.65	
			NO. NO.54-5	
	Remarks:SHACMAN F3000			
	KD0903			
		Part No. DZ91259240162		
		CH part name 变速箱操纵杆		
		EN part name Shift rod assy.		
		RU part name Рычаг переключения скорости в сборе		
		Size:mm		
		Weight:kg 0.85		
		NO. NO.54-2		
Remarks:SHACMAN F2000 DZ9114240557 DZ95259240017左置				
KD0904		KD0905		
	Part No. DZ93259240064		Part No. DZ93259240063	
	CH part name 变速操纵杆(右置12档)		CH part name 变速操纵杆(右置9档)	
	EN part name Shift rod assy.		EN part name Shift rod assy.	
	RU part name Рычаг переключения скорости в сборе		RU part name Рычаг переключения скорости в сборе	
	Size:mm		Size:mm	
	Weight:kg 0.98		Weight:kg 0.98	
	NO. NO.54-2		NO. NO.54-2	
	Remarks:SHACMAN F2000 F3000 新M3000 DZ93259240504/05左置			Remarks:SHACMAN F2000 F3000 新M3000
KD0906		KD0907		
	Part No. DZ95259240007		Part No. DZ95259240008	
	CH part name 换挡软轴总成		CH part name 换挡软轴总成	
	EN part name Shift tube		EN part name Shift tube	
	RU part name Трос переключения передач		RU part name Трос переключения передач	
	Size:mm 3200*50*50		Size:mm 3200*50*50	
	Weight:kg 2.56		Weight:kg 2.56	
	Price:usd NO.54-10		Price:usd NO.54-11	
	Remarks:SHACMAN F2000 F3000			Remarks:SHACMAN F2000 F3000









SHACMAN(1)

	<table border="1"> <tr><td>Part No.</td><td>DZ95259240141</td></tr> <tr><td>CH part name</td><td>换挡软轴总成</td></tr> <tr><td>EN part name</td><td>Shift tube</td></tr> <tr><td>RU part name</td><td>Трос переключения передач</td></tr> <tr><td>Size:mm</td><td>4100*50*50</td></tr> <tr><td>Weight:kg</td><td>1.8</td></tr> <tr><td>NO.</td><td>NO.54-10</td></tr> </table>	Part No.	DZ95259240141	CH part name	换挡软轴总成	EN part name	Shift tube	RU part name	Трос переключения передач	Size:mm	4100*50*50	Weight:kg	1.8	NO.	NO.54-10		<table border="1"> <tr><td>Part No.</td><td>DZ95259240142</td></tr> <tr><td>CH part name</td><td>换挡软轴总成</td></tr> <tr><td>EN part name</td><td>Shift tube</td></tr> <tr><td>RU part name</td><td>Трос переключения передач</td></tr> <tr><td>Size:mm</td><td>4100*50*50</td></tr> <tr><td>Weight:kg</td><td>1.8</td></tr> <tr><td>NO.</td><td>NO.54-11</td></tr> </table>	Part No.	DZ95259240142	CH part name	换挡软轴总成	EN part name	Shift tube	RU part name	Трос переключения передач	Size:mm	4100*50*50	Weight:kg	1.8	NO.	NO.54-11
Part No.	DZ95259240141																														
CH part name	换挡软轴总成																														
EN part name	Shift tube																														
RU part name	Трос переключения передач																														
Size:mm	4100*50*50																														
Weight:kg	1.8																														
NO.	NO.54-10																														
Part No.	DZ95259240142																														
CH part name	换挡软轴总成																														
EN part name	Shift tube																														
RU part name	Трос переключения передач																														
Size:mm	4100*50*50																														
Weight:kg	1.8																														
NO.	NO.54-11																														
Remarks: SHACMAN F3000 新M3000		Remarks: SHACMAN F3000 新M3000																													
	<table border="1"> <tr><td>Part No.</td><td>DZ93259240058</td></tr> <tr><td>CH part name</td><td>换挡软轴总成</td></tr> <tr><td>EN part name</td><td>Shift tube</td></tr> <tr><td>RU part name</td><td>Трос переключения передач</td></tr> <tr><td>Size:mm</td><td>3900*50*50</td></tr> <tr><td>Weight:kg</td><td>2.7</td></tr> <tr><td>NO.</td><td>NO.54-10</td></tr> </table>	Part No.	DZ93259240058	CH part name	换挡软轴总成	EN part name	Shift tube	RU part name	Трос переключения передач	Size:mm	3900*50*50	Weight:kg	2.7	NO.	NO.54-10		<table border="1"> <tr><td>Part No.</td><td>DZ93259240056</td></tr> <tr><td>CH part name</td><td>换挡软轴总成</td></tr> <tr><td>EN part name</td><td>Shift tube</td></tr> <tr><td>RU part name</td><td>Трос переключения передач</td></tr> <tr><td>Size:mm</td><td>3900*50*50</td></tr> <tr><td>Weight:kg</td><td>2.7</td></tr> <tr><td>NO.</td><td>NO.54-11</td></tr> </table>	Part No.	DZ93259240056	CH part name	换挡软轴总成	EN part name	Shift tube	RU part name	Трос переключения передач	Size:mm	3900*50*50	Weight:kg	2.7	NO.	NO.54-11
Part No.	DZ93259240058																														
CH part name	换挡软轴总成																														
EN part name	Shift tube																														
RU part name	Трос переключения передач																														
Size:mm	3900*50*50																														
Weight:kg	2.7																														
NO.	NO.54-10																														
Part No.	DZ93259240056																														
CH part name	换挡软轴总成																														
EN part name	Shift tube																														
RU part name	Трос переключения передач																														
Size:mm	3900*50*50																														
Weight:kg	2.7																														
NO.	NO.54-11																														
Remarks: SHACMAN F3000		Remarks: SHACMAN F3000																													
	<table border="1"> <tr><td>Part No.</td><td>DZ95259240009</td></tr> <tr><td>CH part name</td><td>软轴支架及转换机构</td></tr> <tr><td>EN part name</td><td>Conversion mechanism</td></tr> <tr><td>RU part name</td><td>механизм преобразования</td></tr> <tr><td>Size:mm</td><td></td></tr> <tr><td>Weight:kg</td><td>1.15</td></tr> <tr><td>NO.</td><td>NO.54-12</td></tr> </table>	Part No.	DZ95259240009	CH part name	软轴支架及转换机构	EN part name	Conversion mechanism	RU part name	механизм преобразования	Size:mm		Weight:kg	1.15	NO.	NO.54-12		<table border="1"> <tr><td>Part No.</td><td>DZ95259240138</td></tr> <tr><td>CH part name</td><td>换挡转换机构总成</td></tr> <tr><td>EN part name</td><td>Conversion mechanism</td></tr> <tr><td>RU part name</td><td>механизм преобразования</td></tr> <tr><td>Size:mm</td><td></td></tr> <tr><td>Weight:kg</td><td>0.85</td></tr> <tr><td>NO.</td><td>NO.54-12</td></tr> </table>	Part No.	DZ95259240138	CH part name	换挡转换机构总成	EN part name	Conversion mechanism	RU part name	механизм преобразования	Size:mm		Weight:kg	0.85	NO.	NO.54-12
Part No.	DZ95259240009																														
CH part name	软轴支架及转换机构																														
EN part name	Conversion mechanism																														
RU part name	механизм преобразования																														
Size:mm																															
Weight:kg	1.15																														
NO.	NO.54-12																														
Part No.	DZ95259240138																														
CH part name	换挡转换机构总成																														
EN part name	Conversion mechanism																														
RU part name	механизм преобразования																														
Size:mm																															
Weight:kg	0.85																														
NO.	NO.54-12																														
Remarks: SHACMAN F3000 DZ95259240002		Remarks: SHACMAN F3000 新M3000																													
	<table border="1"> <tr><td>Part No.</td><td>DZ91259240131/0139</td></tr> <tr><td>CH part name</td><td>摇臂调节杆总成</td></tr> <tr><td>EN part name</td><td>Rocker arm adjustment lever assembly</td></tr> <tr><td>RU part name</td><td>рокер регулирующий стержень</td></tr> <tr><td>Size:mm</td><td></td></tr> <tr><td>Weight:kg</td><td>0.53</td></tr> <tr><td>NO.</td><td>NO.54-12</td></tr> </table>	Part No.	DZ91259240131/0139	CH part name	摇臂调节杆总成	EN part name	Rocker arm adjustment lever assembly	RU part name	рокер регулирующий стержень	Size:mm		Weight:kg	0.53	NO.	NO.54-12		<table border="1"> <tr><td>Part No.</td><td>DZ95259240139</td></tr> <tr><td>CH part name</td><td>操纵器支架摇臂</td></tr> <tr><td>EN part name</td><td>rocker arm</td></tr> <tr><td>RU part name</td><td>рокер</td></tr> <tr><td>Size:mm</td><td></td></tr> <tr><td>Weight:kg</td><td>0.33</td></tr> <tr><td>NO.</td><td>NO.54-12</td></tr> </table>	Part No.	DZ95259240139	CH part name	操纵器支架摇臂	EN part name	rocker arm	RU part name	рокер	Size:mm		Weight:kg	0.33	NO.	NO.54-12
Part No.	DZ91259240131/0139																														
CH part name	摇臂调节杆总成																														
EN part name	Rocker arm adjustment lever assembly																														
RU part name	рокер регулирующий стержень																														
Size:mm																															
Weight:kg	0.53																														
NO.	NO.54-12																														
Part No.	DZ95259240139																														
CH part name	操纵器支架摇臂																														
EN part name	rocker arm																														
RU part name	рокер																														
Size:mm																															
Weight:kg	0.33																														
NO.	NO.54-12																														
Remarks: SHACMAN F3000 新M3000		Remarks: SHACMAN F3000 新M3000																													

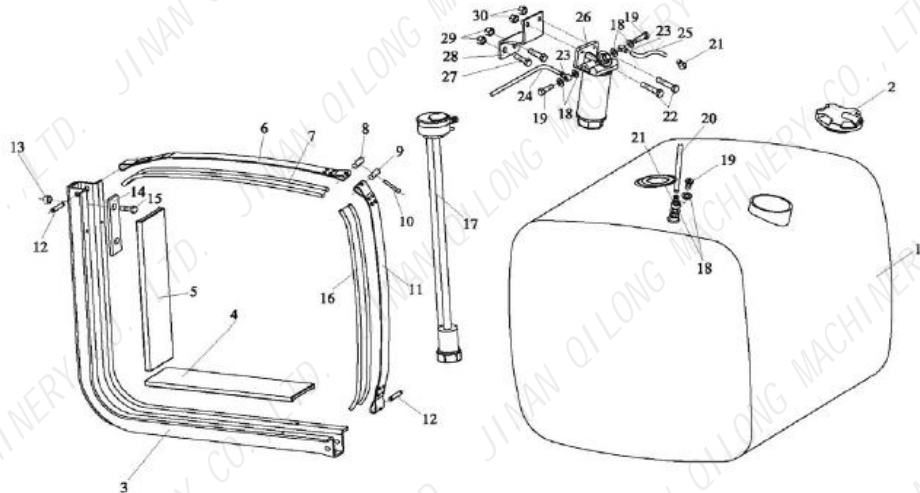
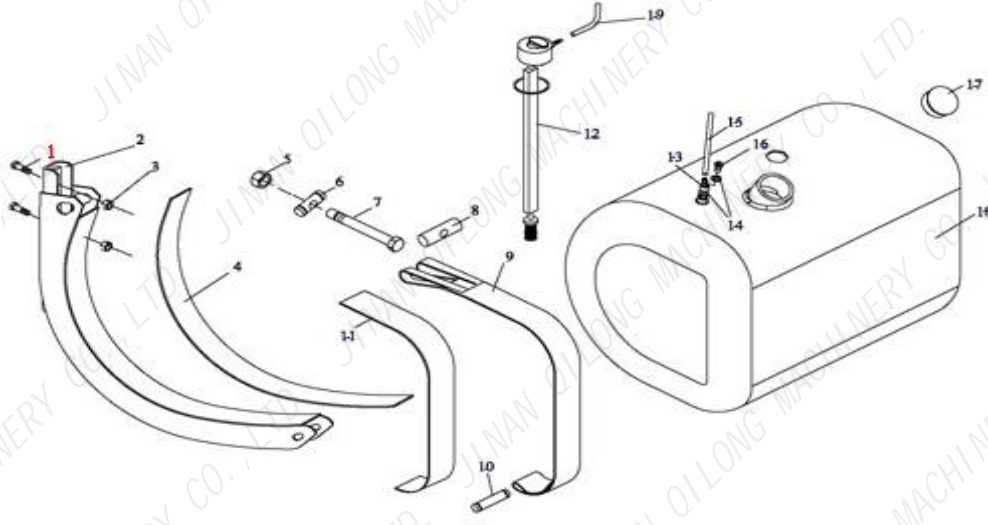




SHACMAN(1)

	<table border="1"> <tr><td>Part No.</td><td>HDGXLB-01-02</td></tr> <tr><td>CH part name</td><td>换挡杆下球头修理包</td></tr> <tr><td>EN part name</td><td>Shift repair kit</td></tr> <tr><td>RU part name</td><td>переход аптечка</td></tr> <tr><td>Size:mm</td><td></td></tr> <tr><td>Weight:kg</td><td>0.32</td></tr> <tr><td>NO.</td><td>NO.54-3</td></tr> </table>	Part No.	HDGXLB-01-02	CH part name	换挡杆下球头修理包	EN part name	Shift repair kit	RU part name	переход аптечка	Size:mm		Weight:kg	0.32	NO.	NO.54-3		<table border="1"> <tr><td>Part No.</td><td>DZ93259240058/0056QT</td></tr> <tr><td>CH part name</td><td>换挡选档线球头</td></tr> <tr><td>EN part name</td><td>Conversion mechanism</td></tr> <tr><td>RU part name</td><td>механизм преобразования</td></tr> <tr><td>Size:mm</td><td></td></tr> <tr><td>Weight:kg</td><td>0.1</td></tr> <tr><td>NO.</td><td>NO.54-13-14</td></tr> </table>	Part No.	DZ93259240058/0056QT	CH part name	换挡选档线球头	EN part name	Conversion mechanism	RU part name	механизм преобразования	Size:mm		Weight:kg	0.1	NO.	NO.54-13-14
Part No.	HDGXLB-01-02																														
CH part name	换挡杆下球头修理包																														
EN part name	Shift repair kit																														
RU part name	переход аптечка																														
Size:mm																															
Weight:kg	0.32																														
NO.	NO.54-3																														
Part No.	DZ93259240058/0056QT																														
CH part name	换挡选档线球头																														
EN part name	Conversion mechanism																														
RU part name	механизм преобразования																														
Size:mm																															
Weight:kg	0.1																														
NO.	NO.54-13-14																														
Remarks: SHACMAN F2000 F3000 M3000 X3000		Remarks: SHACMAN F2000 F3000 M3000 X3000																													
	<table border="1"> <tr><td>Part No.</td><td>DZ93259240069</td></tr> <tr><td>CH part name</td><td>换挡手柄10档</td></tr> <tr><td>EN part name</td><td>Shift lever</td></tr> <tr><td>RU part name</td><td>ручка переключения передач</td></tr> <tr><td>Size:mm</td><td>150*60*50</td></tr> <tr><td>Weight:kg</td><td>0.16</td></tr> <tr><td>NO.</td><td>NO.54-1</td></tr> </table>	Part No.	DZ93259240069	CH part name	换挡手柄10档	EN part name	Shift lever	RU part name	ручка переключения передач	Size:mm	150*60*50	Weight:kg	0.16	NO.	NO.54-1		<table border="1"> <tr><td>Part No.</td><td>81.32616.0007</td></tr> <tr><td>CH part name</td><td>换挡杆间隔元件</td></tr> <tr><td>EN part name</td><td>Shift lever seat</td></tr> <tr><td>RU part name</td><td>рычаг переключения передач сиденья</td></tr> <tr><td>Size:mm</td><td>260*260*65</td></tr> <tr><td>Weight:kg</td><td>0.28</td></tr> <tr><td>NO.</td><td>NO.54-3</td></tr> </table>	Part No.	81.32616.0007	CH part name	换挡杆间隔元件	EN part name	Shift lever seat	RU part name	рычаг переключения передач сиденья	Size:mm	260*260*65	Weight:kg	0.28	NO.	NO.54-3
Part No.	DZ93259240069																														
CH part name	换挡手柄10档																														
EN part name	Shift lever																														
RU part name	ручка переключения передач																														
Size:mm	150*60*50																														
Weight:kg	0.16																														
NO.	NO.54-1																														
Part No.	81.32616.0007																														
CH part name	换挡杆间隔元件																														
EN part name	Shift lever seat																														
RU part name	рычаг переключения передач сиденья																														
Size:mm	260*260*65																														
Weight:kg	0.28																														
NO.	NO.54-3																														
Remarks: SHACMAN F2000 F3000		Remarks: SHACMAN F2000 F3000 M3000 X3000																													
	<table border="1"> <tr><td>Part No.</td><td>DZ9114240556</td></tr> <tr><td>CH part name</td><td>换挡手柄9档</td></tr> <tr><td>EN part name</td><td>Shift lever</td></tr> <tr><td>RU part name</td><td>ручка переключения передач</td></tr> <tr><td>Size:mm</td><td>150*60*50</td></tr> <tr><td>Weight:kg</td><td>0.16</td></tr> <tr><td>NO.</td><td>NO.54-1</td></tr> </table>	Part No.	DZ9114240556	CH part name	换挡手柄9档	EN part name	Shift lever	RU part name	ручка переключения передач	Size:mm	150*60*50	Weight:kg	0.16	NO.	NO.54-1		<table border="1"> <tr><td>Part No.</td><td>12JS160T-1708010-17</td></tr> <tr><td>CH part name</td><td>预选阀 12档</td></tr> <tr><td>EN part name</td><td>Shift lever</td></tr> <tr><td>RU part name</td><td>ручка переключения передач</td></tr> <tr><td>Size:mm</td><td>150*60*50</td></tr> <tr><td>Weight:kg</td><td>0.16</td></tr> <tr><td>NO.</td><td>NO.54-1</td></tr> </table>	Part No.	12JS160T-1708010-17	CH part name	预选阀 12档	EN part name	Shift lever	RU part name	ручка переключения передач	Size:mm	150*60*50	Weight:kg	0.16	NO.	NO.54-1
Part No.	DZ9114240556																														
CH part name	换挡手柄9档																														
EN part name	Shift lever																														
RU part name	ручка переключения передач																														
Size:mm	150*60*50																														
Weight:kg	0.16																														
NO.	NO.54-1																														
Part No.	12JS160T-1708010-17																														
CH part name	预选阀 12档																														
EN part name	Shift lever																														
RU part name	ручка переключения передач																														
Size:mm	150*60*50																														
Weight:kg	0.16																														
NO.	NO.54-1																														
Remarks: SHACMAN F2000 F3000 新M3000		Remarks: SHACMAN F3000																													
	<table border="1"> <tr><td>Part No.</td><td>DZ93259594101</td></tr> <tr><td>CH part name</td><td>支架总成(R)</td></tr> <tr><td>EN part name</td><td>Right bracket</td></tr> <tr><td>RU part name</td><td>правая скобки</td></tr> <tr><td>Size:mm</td><td></td></tr> <tr><td>Weight:kg</td><td>1.45</td></tr> <tr><td>NO.</td><td>NO.55-11</td></tr> </table>	Part No.	DZ93259594101	CH part name	支架总成(R)	EN part name	Right bracket	RU part name	правая скобки	Size:mm		Weight:kg	1.45	NO.	NO.55-11		<table border="1"> <tr><td>Part No.</td><td>DZ93259594100</td></tr> <tr><td>CH part name</td><td>支架总成(L)</td></tr> <tr><td>EN part name</td><td>Left bracket</td></tr> <tr><td>RU part name</td><td>слева от</td></tr> <tr><td>Size:mm</td><td></td></tr> <tr><td>Weight:kg</td><td>1.45</td></tr> <tr><td>NO.</td><td>NO.55-2</td></tr> </table>	Part No.	DZ93259594100	CH part name	支架总成(L)	EN part name	Left bracket	RU part name	слева от	Size:mm		Weight:kg	1.45	NO.	NO.55-2
Part No.	DZ93259594101																														
CH part name	支架总成(R)																														
EN part name	Right bracket																														
RU part name	правая скобки																														
Size:mm																															
Weight:kg	1.45																														
NO.	NO.55-11																														
Part No.	DZ93259594100																														
CH part name	支架总成(L)																														
EN part name	Left bracket																														
RU part name	слева от																														
Size:mm																															
Weight:kg	1.45																														
NO.	NO.55-2																														
Remarks: SHACMAN F3000 DZ9118593008		Remarks: SHACMAN F3000 DZ9118593007																													

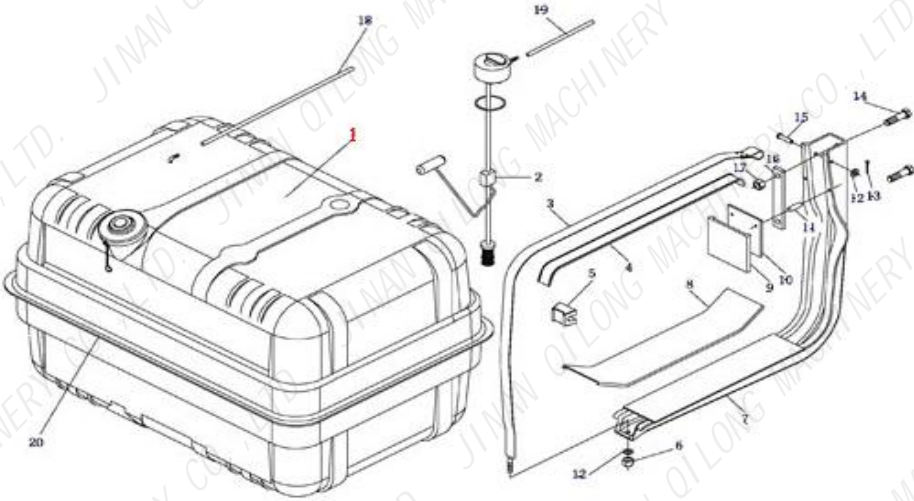






SHACMAN(1)

KD0924			KD0925		
	Part No.	DZ9112590884		Part No.	DZ9112590883
	CH part name	右支架总成R		CH part name	支架总成(L)
	EN part name	Right bracket		EN part name	Left bracket
	RU part name	правая скобки		RU part name	слева от
	Size:mm			Size:mm	
	Weight:kg	1.54		Weight:kg	1.54
	NO.	NO.55-11		NO.	NO.55-2
Remarks:SHACMAN F3000			Remarks:SHACMAN F3000		
KD0926			KD0927		
	Part No.	DZ95259593003		Part No.	DZ95259593002
	CH part name	右支架总成(R)		CH part name	支架总成(L)
	EN part name	Right bracket		EN part name	Left bracket
	RU part name	правая скобки		RU part name	слева от
	Size:mm			Size:mm	
	Weight:kg	0.72		Weight:kg	1.85
	NO.	NO.55-11		NO.	NO.55-2
Remarks:SHACMAN F3000			Remarks:SHACMAN F3000		
KD0928			KD0929		
	Part No.	DZ9114598696		Part No.	DZ9114598695
	CH part name	右托架(R)		CH part name	支架总成(L)
	EN part name	Right bracket		EN part name	Left bracket
	RU part name	правая скобки		RU part name	слева от
	Size:mm			Size:mm	
	Weight:kg	2.3		Weight:kg	2.3
	NO.	NO.55-11		NO.	NO.55-2
Remarks:SHACMAN F2000			Remarks:SHACMAN F2000		
KD0930			KD0931		
	Part No.	DZ95259591010		Part No.	DZ9112590889
	CH part name	变速器悬置横梁		CH part name	横梁总成
	EN part name	Cross member assy		EN part name	Cross member assy
	RU part name	кросс - астрид		RU part name	кросс - астрид
	Size:mm			Size:mm	
	Weight:kg	3.5		Weight:kg	4.8
	NO.	NO.55-10		NO.	NO.55-10
Remarks:SHACMAN F3000			Remarks:SHACMAN F3000 DZ95259590060		

SHACMAN(1)

ALUMINUM ALLOY FUEL TANK/ASSEMBLY		NO.48	ALUMINUM ALLOY FUEL TANK/ASSEMBLY		NO.C48		
							
KD0842		KD0843					
	Part No.	DZ91319554310			Part No.	DZ9114551544	
	CH part name	油箱支架			CH part name	油箱支架	
	EN part name	Bracket			EN part name	Bracket	
	RU part name	кронштейн			RU part name	кронштейн	
	Size:mm				Size:mm		
	Weight:kg				Weight:kg		
NO.	NO.48-3		NO.	NO.48-3			
Remarks:SHACMAN F3000			Remarks:SHACMAN F3000				
KD0844		KD0845					
	Part No.	DZ9114550139			Part No.	DZ9114552740	
	CH part name	400L油箱 D型			CH part name	400L铝合金油箱	
	EN part name	Fuel tank			EN part name	Fuel tank	
	RU part name	Топливный бак в сборе400L			RU part name	Топливный бак в сборе400L	
	Size:mm	820*700*680			Size:mm	820*700*680	
	Weight:kg	20			Weight:kg	25	
NO.	NO.C48-18		NO.	NO.48-1			
Remarks:SHACMAN F2000 F3000 DZ9114550711			Remarks:SHACMAN F2000 F3000 350L/400L/500L/600L				

SHACMAN(1)

ALUMINUM ALLOY FUEL TANK/ASSEMBLY		NO.D48	
	KD0846		
		Part No.	DZ9114552701
	CH part name	护垫	
	EN part name	Protector	
	RU part name	защитник	
	Size:mm		
	Weight:kg	0.25	
	NO.	NO.48-7	
Remarks:SHACMAN F2000 F3000 199114550012			
	KD0847		
		Part No.	DZ9114552760
	CH part name	油箱支架	
	EN part name	Bracket	
	RU part name	кронштейн	
	Size:mm	730*670*120	
	Weight:kg	6.2	
	NO.	NO.D48-7	
Remarks:SHACMAN F2000 F3000			
KD0848		KD0849	
	Part No.	199112270013	
	CH part name	紧固带	
	EN part name	Fastening strap assembly	
	RU part name	fasteming лямки ассамблеи	
	Size:mm		
	Weight:kg	0.16	
	NO.	NO.D48-3	
Remarks:SHACMAN F2000 F3000			
		Part No.	DZ9114550046
	CH part name	380L油箱	
	EN part name	Fuel tank	
	RU part name	Бак топливный380L	
	Size:mm	800*750*650	
	Weight:kg	32	
	NO.	NO.D48-1	
Remarks:SHACMAN F2000 F3000			
KD0850		KD0851	
	Part No.	DZ9114160034	
	CH part name	430拉式压盘总成	
	EN part name	430 Platen assy.	
	RU part name	Корзина сцепления 430 в сборе	
	Size:mm	500*500*130	
	Weight:kg	36.4	
	NO.	NO.49-2	
Remarks: SHACMAN F2000 F3000 DZ9114160031 DZ9114160017			
		Part No.	DZ1560160012
	CH part name	拉式从动盘	
	EN part name	430 Clutch disc	
	RU part name	Диск сцепления	
	Size:mm	430*430*65	
	Weight:kg	8.45	
	NO.	NO.49-1	
Remarks: SHACMAN F2000 F3000			