
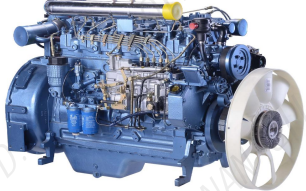


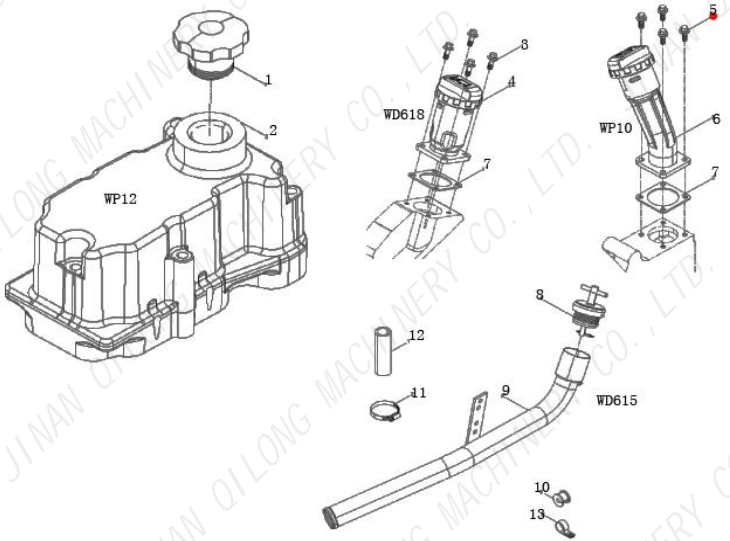


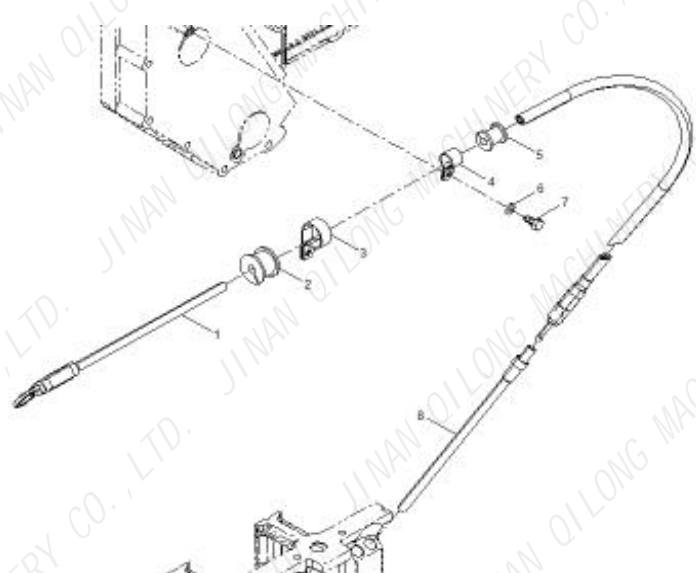








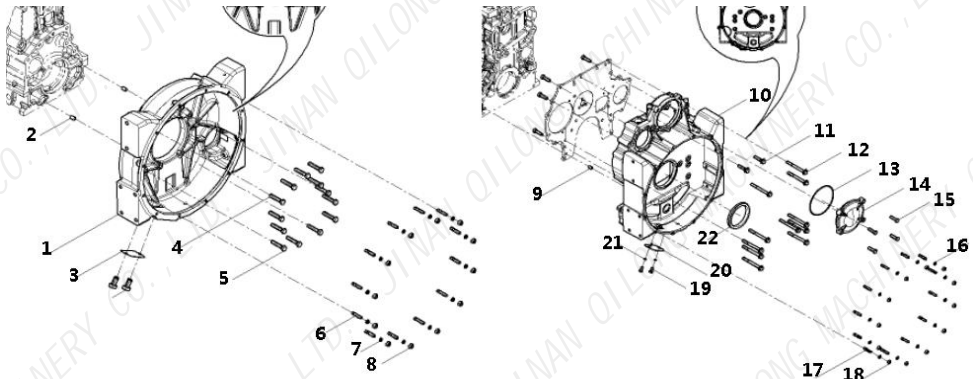

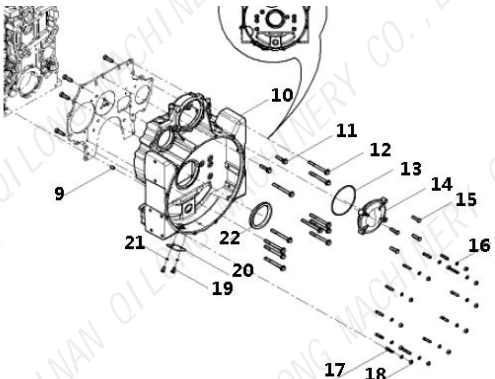





# SHACMAN(1)

	KD0001						
	Part No.	SZ901000830			Part No.	WD618.420HP	
	CH part name	发动机总成			CH part name	发动机总成	
	EN part name	WEICHAİ WD615.50Engine assy.			EN part name	WEICHAİ QSM11 Engine assy.	
	RU part name	Двигатель в сбореWD615.50WEICHAİ Power			RU part name	Двигатель в сборе QSM11 WEICHAİ Power	
	Size:mm	1566*582*1024			Size:mm	1525*660*965	
	Weight:kg	980			Weight:kg	975	
Price:usd			Price:usd				
Remarks: weichai WD615.50 ( 290HP )			Remarks:weichai WD618.420HP				
	KD0003						
	Part No.	DZ61109010402			Part No.	DZ61129010201	
	CH part name	发动机总成			CH part name	发动机总成	
	EN part name	WEICHAİ WP10.336E40 Engine assy.			EN part name	WEICHAİ WP12.375 Engine assy.	
	RU part name	Двигатель в сбореWP10.336 WEICHAİ Power			RU part name	Двигатель в сбореWP12.3750 WEICHAİ Power	
	Size:mm	1566*582*1024			Size:mm	1525*660*965/1611×817×1094	
	Weight:kg	950			Weight:kg	1130/1050	
Price:usd			Price:usd				
Remarks: weichai WP10.336E40 DHP10Q1252*01			Remarks: weichai WP12.375 DHP12N0095*01				
<b>Body/Lubrication system</b>		<b>NO.1</b>					
							
	KD0006						
	Part No.	DZ61129010121			Part No.	612630040069	
	CH part name	发动机总成			CH part name	机油口盖	
	EN part name	WEICHAİ WD12.375 Engine assy.			EN part name	Oil cap	
	RU part name	Двигатель в сбореWD12.375 WEICHAİ Power			RU part name	Колпачок масла	
	Size:mm	1525*660*965			Size:mm		
	Weight:kg	950			Weight:kg	0.23	
Price:usd			Price:usd				
Remarks:weichai WD12.375 DHD12Q0226			Remarks: weichai WP12 1000106562				








# SHACMAN(1)

Body / Oil pipe assembly		NO.7		KD0092			
						Part No.	1000365412
						CH part name	油气分离器支架
						EN part name	Oil separator support
						RU part name	Подставка для маслоотделителя
						Size:mm	
						Weight:kg	0.3
						NO.	<b>NO.6-19</b>
Remarks: weichai WP12							
				KD0093			
				Part No.	612630010409		
				CH part name	回油管		
				EN part name	Return pipe		
				RU part name	Обратный трубопровод		
				Size:mm			
				Weight:kg	0.15		
				NO.	<b>NO.6-23</b>		
Remarks: weichai WP12							
KD0094				KD0095			
		Part No.	612600012064			Part No.	612600012034
		CH part name	油标尺总成			CH part name	油标尺总成
		EN part name	Oil dipstick			EN part name	Oil dipstick
		RU part name	Маслоизмерительный щуп			RU part name	Маслоизмерительный щуп
		Size:mm	1650*4			Size:mm	1620*4
		Weight:kg	0.08			Weight:kg	0.075
		NO.	<b>NO.7-1</b>			NO.	<b>NO.7-1</b>
Remarks: weichai WP12 WD618				Remarks: weichai WD12 WD618 WP12			
KD0096				KD0097			
		Part No.	612600012680			Part No.	612600012083
		CH part name	油标尺			CH part name	油标尺
		EN part name	Oil dipstick			EN part name	Oil dipstick
		RU part name	Маслоизмерительный щуп			RU part name	Маслоизмерительный щуп
		Size:mm	1550*4			Size:mm	
		Weight:kg	0.07			Weight:kg	0.016
		NO.	<b>NO.7-1</b>			NO.	<b>NO.7-1</b>
Remarks: weichai WD615 612600012033 WP10				Remarks: weichai WP10 612600012053 612600012081 E32			

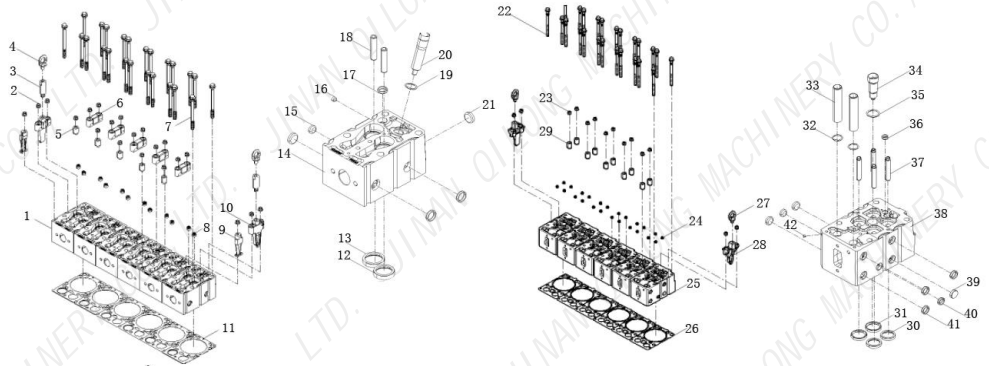






# SHACMAN(1)

Body /Flywheel housing assembly		NO.8																													
		KD0098																													
			<table border="1"> <tr><td>Part No.</td><td>612600012639</td></tr> <tr><td>CH part name</td><td>油尺管下组件</td></tr> <tr><td>EN part name</td><td>Nozzle</td></tr> <tr><td>RU part name</td><td>бензоподвод</td></tr> <tr><td>Size:mm</td><td></td></tr> <tr><td>Weight:kg</td><td></td></tr> <tr><td>NO.</td><td><b>NO.7-8</b></td></tr> </table>	Part No.	612600012639	CH part name	油尺管下组件	EN part name	Nozzle	RU part name	бензоподвод	Size:mm		Weight:kg		NO.	<b>NO.7-8</b>														
Part No.	612600012639																														
CH part name	油尺管下组件																														
EN part name	Nozzle																														
RU part name	бензоподвод																														
Size:mm																															
Weight:kg																															
NO.	<b>NO.7-8</b>																														
Remarks: weichai WD615																															
		KD0099																													
			<table border="1"> <tr><td>Part No.</td><td>612600010705</td></tr> <tr><td>CH part name</td><td>机油尺管下组件</td></tr> <tr><td>EN part name</td><td>Nozzle</td></tr> <tr><td>RU part name</td><td>бензоподвод</td></tr> <tr><td>Size:mm</td><td>L=380</td></tr> <tr><td>Weight:kg</td><td></td></tr> <tr><td>NO.</td><td><b>NO.7-8</b></td></tr> </table>	Part No.	612600010705	CH part name	机油尺管下组件	EN part name	Nozzle	RU part name	бензоподвод	Size:mm	L=380	Weight:kg		NO.	<b>NO.7-8</b>														
Part No.	612600010705																														
CH part name	机油尺管下组件																														
EN part name	Nozzle																														
RU part name	бензоподвод																														
Size:mm	L=380																														
Weight:kg																															
NO.	<b>NO.7-8</b>																														
Remarks: weichai WD618 WP12																															
KD0100		KD0101																													
	<table border="1"> <tr><td>Part No.</td><td>61500010012</td></tr> <tr><td>CH part name</td><td>飞轮壳</td></tr> <tr><td>EN part name</td><td>Flywheel</td></tr> <tr><td>RU part name</td><td>Катер маховика</td></tr> <tr><td>Size:mm</td><td>520*500*150</td></tr> <tr><td>Weight:kg</td><td>42.26</td></tr> <tr><td>NO.</td><td><b>NO.8-1</b></td></tr> </table>	Part No.	61500010012	CH part name	飞轮壳	EN part name	Flywheel	RU part name	Катер маховика	Size:mm	520*500*150	Weight:kg	42.26	NO.	<b>NO.8-1</b>		<table border="1"> <tr><td>Part No.</td><td>612600013608</td></tr> <tr><td>CH part name</td><td>飞轮壳</td></tr> <tr><td>EN part name</td><td>Flywheel</td></tr> <tr><td>RU part name</td><td>Катер маховика</td></tr> <tr><td>Size:mm</td><td>585*50</td></tr> <tr><td>Weight:kg</td><td>402.6</td></tr> <tr><td>NO.</td><td><b>NO.8-1</b></td></tr> </table>	Part No.	612600013608	CH part name	飞轮壳	EN part name	Flywheel	RU part name	Катер маховика	Size:mm	585*50	Weight:kg	402.6	NO.	<b>NO.8-1</b>
Part No.	61500010012																														
CH part name	飞轮壳																														
EN part name	Flywheel																														
RU part name	Катер маховика																														
Size:mm	520*500*150																														
Weight:kg	42.26																														
NO.	<b>NO.8-1</b>																														
Part No.	612600013608																														
CH part name	飞轮壳																														
EN part name	Flywheel																														
RU part name	Катер маховика																														
Size:mm	585*50																														
Weight:kg	402.6																														
NO.	<b>NO.8-1</b>																														
Remarks: weichai WD615		Remarks: weichai WD618 WD12																													
KD0102		KD0103																													
	<table border="1"> <tr><td>Part No.</td><td>1000126299</td></tr> <tr><td>CH part name</td><td>飞轮壳</td></tr> <tr><td>EN part name</td><td>Flywheel</td></tr> <tr><td>RU part name</td><td>Катер маховика</td></tr> <tr><td>Size:mm</td><td></td></tr> <tr><td>Weight:kg</td><td>42.3</td></tr> <tr><td>NO.</td><td><b>NO.8-10</b></td></tr> </table>	Part No.	1000126299	CH part name	飞轮壳	EN part name	Flywheel	RU part name	Катер маховика	Size:mm		Weight:kg	42.3	NO.	<b>NO.8-10</b>		<table border="1"> <tr><td>Part No.</td><td>612600014564</td></tr> <tr><td>CH part name</td><td>飞轮壳</td></tr> <tr><td>EN part name</td><td>Flywheel</td></tr> <tr><td>RU part name</td><td>Катер маховика</td></tr> <tr><td>Size:mm</td><td>520*500*150</td></tr> <tr><td>Weight:kg</td><td>42.26</td></tr> <tr><td>NO.</td><td><b>NO.8-1</b></td></tr> </table>	Part No.	612600014564	CH part name	飞轮壳	EN part name	Flywheel	RU part name	Катер маховика	Size:mm	520*500*150	Weight:kg	42.26	NO.	<b>NO.8-1</b>
Part No.	1000126299																														
CH part name	飞轮壳																														
EN part name	Flywheel																														
RU part name	Катер маховика																														
Size:mm																															
Weight:kg	42.3																														
NO.	<b>NO.8-10</b>																														
Part No.	612600014564																														
CH part name	飞轮壳																														
EN part name	Flywheel																														
RU part name	Катер маховика																														
Size:mm	520*500*150																														
Weight:kg	42.26																														
NO.	<b>NO.8-1</b>																														
Remarks: weichai WP12 612630030006 612630030144		Remarks: weichai WP10 612600011088 612600010305																													

# SHACMAN(1)

	<table border="1"> <tr><td>Part No.</td><td>90003901604</td></tr> <tr><td>CH part name</td><td>圆柱销</td></tr> <tr><td>EN part name</td><td>Cylindrical pin</td></tr> <tr><td>RU part name</td><td>Цилиндрический штифт</td></tr> <tr><td>Size:mm</td><td></td></tr> <tr><td>Weight:kg</td><td>0.011</td></tr> <tr><td>NO.</td><td><b>NO.8-2</b></td></tr> </table>	Part No.	90003901604	CH part name	圆柱销	EN part name	Cylindrical pin	RU part name	Цилиндрический штифт	Size:mm		Weight:kg	0.011	NO.	<b>NO.8-2</b>		<table border="1"> <tr><td>Part No.</td><td>61500010101</td></tr> <tr><td>CH part name</td><td>飞轮壳螺栓</td></tr> <tr><td>EN part name</td><td>Bolt</td></tr> <tr><td>RU part name</td><td>Болт</td></tr> <tr><td>Size:mm</td><td></td></tr> <tr><td>Weight:kg</td><td>0.21</td></tr> <tr><td>NO.</td><td><b>NO.8-5</b></td></tr> </table>	Part No.	61500010101	CH part name	飞轮壳螺栓	EN part name	Bolt	RU part name	Болт	Size:mm		Weight:kg	0.21	NO.	<b>NO.8-5</b>
Part No.	90003901604																														
CH part name	圆柱销																														
EN part name	Cylindrical pin																														
RU part name	Цилиндрический штифт																														
Size:mm																															
Weight:kg	0.011																														
NO.	<b>NO.8-2</b>																														
Part No.	61500010101																														
CH part name	飞轮壳螺栓																														
EN part name	Bolt																														
RU part name	Болт																														
Size:mm																															
Weight:kg	0.21																														
NO.	<b>NO.8-5</b>																														
Remarks: weichai WD615 WP10 WP12 WD618 WD12		Remarks: weichai WD615 WP10 WP12 WD618 WD12																													
	<table border="1"> <tr><td>Part No.</td><td>90003813537</td></tr> <tr><td>CH part name</td><td>双头螺柱</td></tr> <tr><td>EN part name</td><td>Stud</td></tr> <tr><td>RU part name</td><td>Шпилька</td></tr> <tr><td>Size:mm</td><td></td></tr> <tr><td>Weight:kg</td><td>0.01</td></tr> <tr><td>NO.</td><td><b>NO.8-6</b></td></tr> </table>	Part No.	90003813537	CH part name	双头螺柱	EN part name	Stud	RU part name	Шпилька	Size:mm		Weight:kg	0.01	NO.	<b>NO.8-6</b>		<table border="1"> <tr><td>Part No.</td><td>61500010062</td></tr> <tr><td>CH part name</td><td>飞轮壳螺栓</td></tr> <tr><td>EN part name</td><td>Bolt</td></tr> <tr><td>RU part name</td><td>Болт</td></tr> <tr><td>Size:mm</td><td>0.1</td></tr> <tr><td>Weight:kg</td><td></td></tr> <tr><td>NO.</td><td><b>NO.8-4</b></td></tr> </table>	Part No.	61500010062	CH part name	飞轮壳螺栓	EN part name	Bolt	RU part name	Болт	Size:mm	0.1	Weight:kg		NO.	<b>NO.8-4</b>
Part No.	90003813537																														
CH part name	双头螺柱																														
EN part name	Stud																														
RU part name	Шпилька																														
Size:mm																															
Weight:kg	0.01																														
NO.	<b>NO.8-6</b>																														
Part No.	61500010062																														
CH part name	飞轮壳螺栓																														
EN part name	Bolt																														
RU part name	Болт																														
Size:mm	0.1																														
Weight:kg																															
NO.	<b>NO.8-4</b>																														
Remarks: weichai WD615 WP10 WP12 90003813537S WD618 WD12		Remarks: weichai WD615 WP10 WP12 WD618 WD12																													
	<table border="1"> <tr><td>Part No.</td><td>612630030021</td></tr> <tr><td>CH part name</td><td>后取力盖板</td></tr> <tr><td>EN part name</td><td>After taking power cover</td></tr> <tr><td>RU part name</td><td>После включения питания</td></tr> <tr><td>Size:mm</td><td></td></tr> <tr><td>Weight:kg</td><td>0.51</td></tr> <tr><td>NO.</td><td><b>NO.8-14</b></td></tr> </table>	Part No.	612630030021	CH part name	后取力盖板	EN part name	After taking power cover	RU part name	После включения питания	Size:mm		Weight:kg	0.51	NO.	<b>NO.8-14</b>		<table border="1"> <tr><td>Part No.</td><td>612630030022</td></tr> <tr><td>CH part name</td><td>O型密封圈</td></tr> <tr><td>EN part name</td><td>O-ring</td></tr> <tr><td>RU part name</td><td>O-образное кольцо</td></tr> <tr><td>Size:mm</td><td></td></tr> <tr><td>Weight:kg</td><td>0.002</td></tr> <tr><td>NO.</td><td><b>NO.8-13</b></td></tr> </table>	Part No.	612630030022	CH part name	O型密封圈	EN part name	O-ring	RU part name	O-образное кольцо	Size:mm		Weight:kg	0.002	NO.	<b>NO.8-13</b>
Part No.	612630030021																														
CH part name	后取力盖板																														
EN part name	After taking power cover																														
RU part name	После включения питания																														
Size:mm																															
Weight:kg	0.51																														
NO.	<b>NO.8-14</b>																														
Part No.	612630030022																														
CH part name	O型密封圈																														
EN part name	O-ring																														
RU part name	O-образное кольцо																														
Size:mm																															
Weight:kg	0.002																														
NO.	<b>NO.8-13</b>																														
Remarks: weichai WP12		Remarks: weichai WP12																													
	<table border="1"> <tr><td>Part No.</td><td>61560040040A</td></tr> <tr><td>CH part name</td><td>气缸盖分总成</td></tr> <tr><td>EN part name</td><td>Cylinder head</td></tr> <tr><td>RU part name</td><td>Головка блока цилиндра</td></tr> <tr><td>Size:mm</td><td>230*160*130</td></tr> <tr><td>Weight:kg</td><td>15</td></tr> <tr><td>NO.</td><td><b>NO.9-1</b></td></tr> </table>	Part No.	61560040040A	CH part name	气缸盖分总成	EN part name	Cylinder head	RU part name	Головка блока цилиндра	Size:mm	230*160*130	Weight:kg	15	NO.	<b>NO.9-1</b>		<table border="1"> <tr><td>Part No.</td><td>612650040001</td></tr> <tr><td>CH part name</td><td>气缸盖分总成</td></tr> <tr><td>EN part name</td><td>Cylinder head</td></tr> <tr><td>RU part name</td><td>Головка блока цилиндра</td></tr> <tr><td>Size:mm</td><td>230*160*130</td></tr> <tr><td>Weight:kg</td><td>15</td></tr> <tr><td>NO.</td><td><b>NO.9-1</b></td></tr> </table>	Part No.	612650040001	CH part name	气缸盖分总成	EN part name	Cylinder head	RU part name	Головка блока цилиндра	Size:mm	230*160*130	Weight:kg	15	NO.	<b>NO.9-1</b>
Part No.	61560040040A																														
CH part name	气缸盖分总成																														
EN part name	Cylinder head																														
RU part name	Головка блока цилиндра																														
Size:mm	230*160*130																														
Weight:kg	15																														
NO.	<b>NO.9-1</b>																														
Part No.	612650040001																														
CH part name	气缸盖分总成																														
EN part name	Cylinder head																														
RU part name	Головка блока цилиндра																														
Size:mm	230*160*130																														
Weight:kg	15																														
NO.	<b>NO.9-1</b>																														
Remarks: weichai WD615 WD618 61560040040B		Remarks: weichai WP10 612650040008																													









# SHACMAN(1)

Body/cylinder head		NO.9	
	KD0112		
			
	Part No.	612630040001	
	CH part name	气缸盖分总成	
	EN part name	Cylinder head	
	RU part name	Головка блока цилиндра	
	Size:mm	230*160*130	
	Weight:kg	16	
	NO.	<b>NO.9-25</b>	
	Remarks: weichai WP12 612630040019		
KD0113			
			
Part No.	612600040282		
CH part name	气缸盖分总成		
EN part name	Cylinder head		
RU part name	Головка блока цилиндра		
Size:mm	230*160*130		
Weight:kg	19.05		
NO.	<b>NO.9-1</b>		
Remarks: weichai WD12 612600040283			
KD0114			
			
Part No.	612600040355		
CH part name	气缸盖垫片		
EN part name	Cylinder head gasket		
RU part name	Прокладка ГБЦ		
Size:mm	233*149*1		
Weight:kg	0.13		
NO.	<b>NO.9-11</b>		
Remarks: weichai WD12 WD618 WD615			
KD0115			
			
Part No.	612600040646		
CH part name	气缸盖垫片		
EN part name	Cylinder head gasket		
RU part name	Прокладка ГБЦ		
Size:mm	230*160*1		
Weight:kg	0.13		
NO.	<b>NO.9-11</b>		
Remarks: weichai WP10			
KD0116			
			
Part No.	612700040018		
CH part name	气缸盖垫片		
EN part name	Cylinder head gasket		
RU part name	Прокладка ГБЦ		
Size:mm	230*160*1		
Weight:kg	0.13		
NO.	<b>NO.9-26</b>		
Remarks: weichai WP12			
KD0117			
			
Part No.	61500040012		
CH part name	吊环夹紧块		
EN part name	Rings clamping block		
RU part name	Кольцевой зажимной блок		
Size:mm			
Weight:kg	0.53		
NO.	<b>NO.9-10</b>		
Remarks: weichai WD615 WD618 WD12			

# SHACMAN(1)

	<table border="1"> <tr><td>Part No.</td><td>61200040027</td></tr> <tr><td>CH part name</td><td>夹紧块</td></tr> <tr><td>EN part name</td><td>Clamping block</td></tr> <tr><td>RU part name</td><td>Зажимной блок</td></tr> <tr><td>Size:mm</td><td></td></tr> <tr><td>Weight:kg</td><td>0.21</td></tr> <tr><td>NO.</td><td><b>NO.9-9</b></td></tr> </table>	Part No.	61200040027	CH part name	夹紧块	EN part name	Clamping block	RU part name	Зажимной блок	Size:mm		Weight:kg	0.21	NO.	<b>NO.9-9</b>		<table border="1"> <tr><td>Part No.</td><td>612630040010</td></tr> <tr><td>CH part name</td><td>吊环夹紧块</td></tr> <tr><td>EN part name</td><td>Rings clamping block</td></tr> <tr><td>RU part name</td><td>Кольцевой зажимной блок</td></tr> <tr><td>Size:mm</td><td></td></tr> <tr><td>Weight:kg</td><td>0.54</td></tr> <tr><td>NO.</td><td><b>NO.9-10</b></td></tr> </table>	Part No.	612630040010	CH part name	吊环夹紧块	EN part name	Rings clamping block	RU part name	Кольцевой зажимной блок	Size:mm		Weight:kg	0.54	NO.	<b>NO.9-10</b>
Part No.	61200040027																														
CH part name	夹紧块																														
EN part name	Clamping block																														
RU part name	Зажимной блок																														
Size:mm																															
Weight:kg	0.21																														
NO.	<b>NO.9-9</b>																														
Part No.	612630040010																														
CH part name	吊环夹紧块																														
EN part name	Rings clamping block																														
RU part name	Кольцевой зажимной блок																														
Size:mm																															
Weight:kg	0.54																														
NO.	<b>NO.9-10</b>																														
Remarks: weichai WD615 WP10 WD618 WD12		Remarks: weichai WP12																													
	<table border="1"> <tr><td>Part No.</td><td>61800050151</td></tr> <tr><td>CH part name</td><td>气门杆密封套</td></tr> <tr><td>EN part name</td><td>Valve push rod seal ring</td></tr> <tr><td>RU part name</td><td>Кольцо уплотнительное пневмошланга</td></tr> <tr><td>Size:mm</td><td>19*14*10</td></tr> <tr><td>Weight:kg</td><td>0.01</td></tr> <tr><td>NO.</td><td><b>NO.9-24</b></td></tr> </table>	Part No.	61800050151	CH part name	气门杆密封套	EN part name	Valve push rod seal ring	RU part name	Кольцо уплотнительное пневмошланга	Size:mm	19*14*10	Weight:kg	0.01	NO.	<b>NO.9-24</b>		<table border="1"> <tr><td>Part No.</td><td>612600040114</td></tr> <tr><td>CH part name</td><td>气门杆密封套</td></tr> <tr><td>EN part name</td><td>Valve push rod seal ring</td></tr> <tr><td>RU part name</td><td>Кольцо уплотнительное пневмошланга</td></tr> <tr><td>Size:mm</td><td>19*14*10</td></tr> <tr><td>Weight:kg</td><td>0.01</td></tr> <tr><td>NO.</td><td><b>NO.9-8</b></td></tr> </table>	Part No.	612600040114	CH part name	气门杆密封套	EN part name	Valve push rod seal ring	RU part name	Кольцо уплотнительное пневмошланга	Size:mm	19*14*10	Weight:kg	0.01	NO.	<b>NO.9-8</b>
Part No.	61800050151																														
CH part name	气门杆密封套																														
EN part name	Valve push rod seal ring																														
RU part name	Кольцо уплотнительное пневмошланга																														
Size:mm	19*14*10																														
Weight:kg	0.01																														
NO.	<b>NO.9-24</b>																														
Part No.	612600040114																														
CH part name	气门杆密封套																														
EN part name	Valve push rod seal ring																														
RU part name	Кольцо уплотнительное пневмошланга																														
Size:mm	19*14*10																														
Weight:kg	0.01																														
NO.	<b>NO.9-8</b>																														
Remarks: weichai WP10 WP12		Remarks: weichai WD615 WD618 WD12																													
	<table border="1"> <tr><td>Part No.</td><td>61200040023</td></tr> <tr><td>CH part name</td><td>夹紧块</td></tr> <tr><td>EN part name</td><td>Clamping block</td></tr> <tr><td>RU part name</td><td>Зажимной блок</td></tr> <tr><td>Size:mm</td><td></td></tr> <tr><td>Weight:kg</td><td>0.15</td></tr> <tr><td>NO.</td><td><b>NO.9-5</b></td></tr> </table>	Part No.	61200040023	CH part name	夹紧块	EN part name	Clamping block	RU part name	Зажимной блок	Size:mm		Weight:kg	0.15	NO.	<b>NO.9-5</b>		<table border="1"> <tr><td>Part No.</td><td>61500040009</td></tr> <tr><td>CH part name</td><td>夹紧块</td></tr> <tr><td>EN part name</td><td>Clamping block</td></tr> <tr><td>RU part name</td><td>Зажимной блок</td></tr> <tr><td>Size:mm</td><td></td></tr> <tr><td>Weight:kg</td><td>0.26</td></tr> <tr><td>NO.</td><td><b>NO.9-6</b></td></tr> </table>	Part No.	61500040009	CH part name	夹紧块	EN part name	Clamping block	RU part name	Зажимной блок	Size:mm		Weight:kg	0.26	NO.	<b>NO.9-6</b>
Part No.	61200040023																														
CH part name	夹紧块																														
EN part name	Clamping block																														
RU part name	Зажимной блок																														
Size:mm																															
Weight:kg	0.15																														
NO.	<b>NO.9-5</b>																														
Part No.	61500040009																														
CH part name	夹紧块																														
EN part name	Clamping block																														
RU part name	Зажимной блок																														
Size:mm																															
Weight:kg	0.26																														
NO.	<b>NO.9-6</b>																														
Remarks: weichai WP10 WP12 WD615 WD618 WD12		Remarks: weichai WD615 WD618 WD12																													
	<table border="1"> <tr><td>Part No.</td><td>612600040452</td></tr> <tr><td>CH part name</td><td>气缸盖主螺栓</td></tr> <tr><td>EN part name</td><td>Bolt</td></tr> <tr><td>RU part name</td><td>Болт</td></tr> <tr><td>Size:mm</td><td></td></tr> <tr><td>Weight:kg</td><td>0.25</td></tr> <tr><td>NO.</td><td><b>NO.9-7</b></td></tr> </table>	Part No.	612600040452	CH part name	气缸盖主螺栓	EN part name	Bolt	RU part name	Болт	Size:mm		Weight:kg	0.25	NO.	<b>NO.9-7</b>		<table border="1"> <tr><td>Part No.</td><td>1000549569</td></tr> <tr><td>CH part name</td><td>气门杆密封套</td></tr> <tr><td>EN part name</td><td>Valve push rod seal ring</td></tr> <tr><td>RU part name</td><td>Кольцо уплотнительное пневмошланга</td></tr> <tr><td>Size:mm</td><td></td></tr> <tr><td>Weight:kg</td><td>0.04</td></tr> <tr><td>NO.</td><td><b>NO.9-20</b></td></tr> </table>	Part No.	1000549569	CH part name	气门杆密封套	EN part name	Valve push rod seal ring	RU part name	Кольцо уплотнительное пневмошланга	Size:mm		Weight:kg	0.04	NO.	<b>NO.9-20</b>
Part No.	612600040452																														
CH part name	气缸盖主螺栓																														
EN part name	Bolt																														
RU part name	Болт																														
Size:mm																															
Weight:kg	0.25																														
NO.	<b>NO.9-7</b>																														
Part No.	1000549569																														
CH part name	气门杆密封套																														
EN part name	Valve push rod seal ring																														
RU part name	Кольцо уплотнительное пневмошланга																														
Size:mm																															
Weight:kg	0.04																														
NO.	<b>NO.9-20</b>																														
Remarks: weichai WD615 WD618 WD12 WP10		Remarks: weichai WP12																													

# SHACMAN(1)

	<p>KD0126</p> <table border="1"> <tr><td>Part No.</td><td>612630040026</td></tr> <tr><td>CH part name</td><td>喷油器衬套</td></tr> <tr><td>EN part name</td><td>Fuel injector bushing.</td></tr> <tr><td>RU part name</td><td>Инжектор втулка</td></tr> <tr><td>Size:mm</td><td></td></tr> <tr><td>Weight:kg</td><td>0.3</td></tr> <tr><td>NO.</td><td><b>NO.9-34</b></td></tr> </table>	Part No.	612630040026	CH part name	喷油器衬套	EN part name	Fuel injector bushing.	RU part name	Инжектор втулка	Size:mm		Weight:kg	0.3	NO.	<b>NO.9-34</b>		<p>KD0127</p> <table border="1"> <tr><td>Part No.</td><td>612630040002</td></tr> <tr><td>CH part name</td><td>气缸盖主螺栓</td></tr> <tr><td>EN part name</td><td>Bolt</td></tr> <tr><td>RU part name</td><td>Болт</td></tr> <tr><td>Size:mm</td><td>195*20*20</td></tr> <tr><td>Weight:kg</td><td>0.25</td></tr> <tr><td>NO.</td><td><b>NO.9-22</b></td></tr> </table>	Part No.	612630040002	CH part name	气缸盖主螺栓	EN part name	Bolt	RU part name	Болт	Size:mm	195*20*20	Weight:kg	0.25	NO.	<b>NO.9-22</b>
Part No.	612630040026																														
CH part name	喷油器衬套																														
EN part name	Fuel injector bushing.																														
RU part name	Инжектор втулка																														
Size:mm																															
Weight:kg	0.3																														
NO.	<b>NO.9-34</b>																														
Part No.	612630040002																														
CH part name	气缸盖主螺栓																														
EN part name	Bolt																														
RU part name	Болт																														
Size:mm	195*20*20																														
Weight:kg	0.25																														
NO.	<b>NO.9-22</b>																														
Remarks: weichai WP10 WP12		Remarks: weichai WP12																													
	<p>KD0128</p> <table border="1"> <tr><td>Part No.</td><td>612600040099</td></tr> <tr><td>CH part name</td><td>喷油器衬套</td></tr> <tr><td>EN part name</td><td>Fuel injector bushing.</td></tr> <tr><td>RU part name</td><td>Инжектор втулка</td></tr> <tr><td>Size:mm</td><td></td></tr> <tr><td>Weight:kg</td><td>0.32</td></tr> <tr><td>NO.</td><td><b>NO.9-20</b></td></tr> </table>	Part No.	612600040099	CH part name	喷油器衬套	EN part name	Fuel injector bushing.	RU part name	Инжектор втулка	Size:mm		Weight:kg	0.32	NO.	<b>NO.9-20</b>		<p>KD0129</p> <table border="1"> <tr><td>Part No.</td><td>406060010</td></tr> <tr><td>CH part name</td><td>密封圈</td></tr> <tr><td>EN part name</td><td>Sealing ring</td></tr> <tr><td>RU part name</td><td>Уплотнительное кольцо</td></tr> <tr><td>Size:mm</td><td></td></tr> <tr><td>Weight:kg</td><td>0.001</td></tr> <tr><td>NO.</td><td><b>NO.9-19</b></td></tr> </table>	Part No.	406060010	CH part name	密封圈	EN part name	Sealing ring	RU part name	Уплотнительное кольцо	Size:mm		Weight:kg	0.001	NO.	<b>NO.9-19</b>
Part No.	612600040099																														
CH part name	喷油器衬套																														
EN part name	Fuel injector bushing.																														
RU part name	Инжектор втулка																														
Size:mm																															
Weight:kg	0.32																														
NO.	<b>NO.9-20</b>																														
Part No.	406060010																														
CH part name	密封圈																														
EN part name	Sealing ring																														
RU part name	Уплотнительное кольцо																														
Size:mm																															
Weight:kg	0.001																														
NO.	<b>NO.9-19</b>																														
Remarks: weichai WD615 WD618 WD12		Remarks: weichai WD615 WD618 WD12																													
	<p>KD0130</p> <table border="1"> <tr><td>Part No.</td><td>81560040037</td></tr> <tr><td>CH part name</td><td>排气门座圈</td></tr> <tr><td>EN part name</td><td>Exhaust valve seat</td></tr> <tr><td>RU part name</td><td>Седло выпускного клапана</td></tr> <tr><td>Size:mm</td><td>53*42*12</td></tr> <tr><td>Weight:kg</td><td>0.03</td></tr> <tr><td>NO.</td><td><b>NO.9-12</b></td></tr> </table>	Part No.	81560040037	CH part name	排气门座圈	EN part name	Exhaust valve seat	RU part name	Седло выпускного клапана	Size:mm	53*42*12	Weight:kg	0.03	NO.	<b>NO.9-12</b>		<p>KD0131</p> <table border="1"> <tr><td>Part No.</td><td>612630040029</td></tr> <tr><td>CH part name</td><td>密封圈</td></tr> <tr><td>EN part name</td><td>Sealing ring</td></tr> <tr><td>RU part name</td><td>Уплотнительное кольцо</td></tr> <tr><td>Size:mm</td><td></td></tr> <tr><td>Weight:kg</td><td>0.001</td></tr> <tr><td>NO.</td><td><b>NO.9-19</b></td></tr> </table>	Part No.	612630040029	CH part name	密封圈	EN part name	Sealing ring	RU part name	Уплотнительное кольцо	Size:mm		Weight:kg	0.001	NO.	<b>NO.9-19</b>
Part No.	81560040037																														
CH part name	排气门座圈																														
EN part name	Exhaust valve seat																														
RU part name	Седло выпускного клапана																														
Size:mm	53*42*12																														
Weight:kg	0.03																														
NO.	<b>NO.9-12</b>																														
Part No.	612630040029																														
CH part name	密封圈																														
EN part name	Sealing ring																														
RU part name	Уплотнительное кольцо																														
Size:mm																															
Weight:kg	0.001																														
NO.	<b>NO.9-19</b>																														
Remarks: weichai WD615 WD618 WD12		Remarks: weichai WP10 WP12																													
	<p>KD0132</p> <table border="1"> <tr><td>Part No.</td><td>61560040057</td></tr> <tr><td>CH part name</td><td>进气门座圈</td></tr> <tr><td>EN part name</td><td>Intake valve seat</td></tr> <tr><td>RU part name</td><td>Седло впускного клапана</td></tr> <tr><td>Size:mm</td><td>56*46*11</td></tr> <tr><td>Weight:kg</td><td>0.05</td></tr> <tr><td>NO.</td><td><b>NO.9-13</b></td></tr> </table>	Part No.	61560040057	CH part name	进气门座圈	EN part name	Intake valve seat	RU part name	Седло впускного клапана	Size:mm	56*46*11	Weight:kg	0.05	NO.	<b>NO.9-13</b>		<p>KD0133</p> <table border="1"> <tr><td>Part No.</td><td>612630040076</td></tr> <tr><td>CH part name</td><td>排气门座圈</td></tr> <tr><td>EN part name</td><td>Exhaust valve seat</td></tr> <tr><td>RU part name</td><td>Седло выпускного клапана</td></tr> <tr><td>Size:mm</td><td>53*42*12</td></tr> <tr><td>Weight:kg</td><td>0.03</td></tr> <tr><td>NO.</td><td><b>NO.9-30</b></td></tr> </table>	Part No.	612630040076	CH part name	排气门座圈	EN part name	Exhaust valve seat	RU part name	Седло выпускного клапана	Size:mm	53*42*12	Weight:kg	0.03	NO.	<b>NO.9-30</b>
Part No.	61560040057																														
CH part name	进气门座圈																														
EN part name	Intake valve seat																														
RU part name	Седло впускного клапана																														
Size:mm	56*46*11																														
Weight:kg	0.05																														
NO.	<b>NO.9-13</b>																														
Part No.	612630040076																														
CH part name	排气门座圈																														
EN part name	Exhaust valve seat																														
RU part name	Седло выпускного клапана																														
Size:mm	53*42*12																														
Weight:kg	0.03																														
NO.	<b>NO.9-30</b>																														
Remarks: weichai WD615 WD618 WD12		Remarks: weichai WP10 WP12																													

# SHACMAN(1)

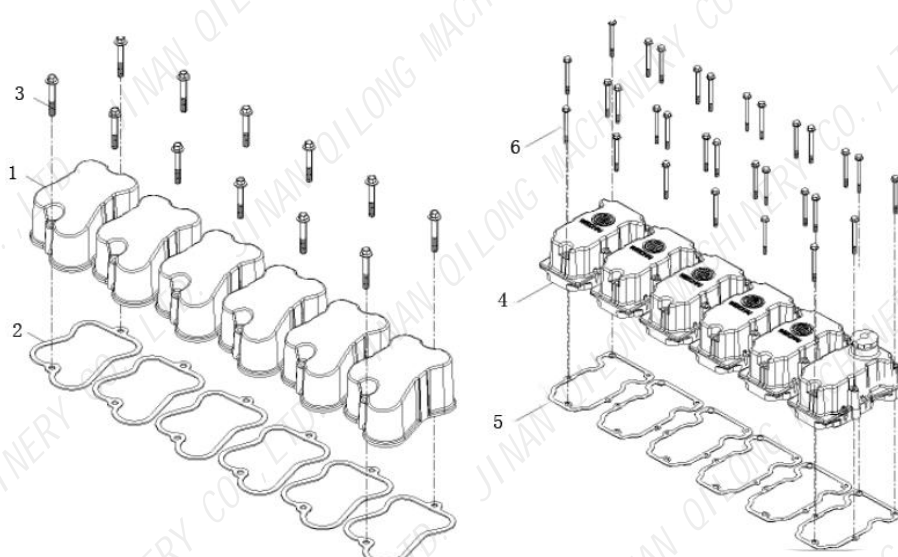






	<p>KD0134</p> <table border="1"> <tr><td>Part No.</td><td>612600040113</td></tr> <tr><td>CH part name</td><td>气门导管</td></tr> <tr><td>EN part name</td><td>valve guide</td></tr> <tr><td>RU part name</td><td>Направляющая клапана</td></tr> <tr><td>Size:mm</td><td>71*16*10</td></tr> <tr><td>Weight:kg</td><td>0.05</td></tr> <tr><td>NO.</td><td><b>NO.9-18</b></td></tr> </table>	Part No.	612600040113	CH part name	气门导管	EN part name	valve guide	RU part name	Направляющая клапана	Size:mm	71*16*10	Weight:kg	0.05	NO.	<b>NO.9-18</b>		<p>KD0135</p> <table border="1"> <tr><td>Part No.</td><td>612630040075</td></tr> <tr><td>CH part name</td><td>进气门座圈</td></tr> <tr><td>EN part name</td><td>Intake valve seat</td></tr> <tr><td>RU part name</td><td>Седло впускного клапана</td></tr> <tr><td>Size:mm</td><td></td></tr> <tr><td>Weight:kg</td><td>0.05</td></tr> <tr><td>NO.</td><td><b>NO.9-31</b></td></tr> </table>	Part No.	612630040075	CH part name	进气门座圈	EN part name	Intake valve seat	RU part name	Седло впускного клапана	Size:mm		Weight:kg	0.05	NO.	<b>NO.9-31</b>
Part No.	612600040113																														
CH part name	气门导管																														
EN part name	valve guide																														
RU part name	Направляющая клапана																														
Size:mm	71*16*10																														
Weight:kg	0.05																														
NO.	<b>NO.9-18</b>																														
Part No.	612630040075																														
CH part name	进气门座圈																														
EN part name	Intake valve seat																														
RU part name	Седло впускного клапана																														
Size:mm																															
Weight:kg	0.05																														
NO.	<b>NO.9-31</b>																														
Remarks: weichsai WD615 WD618 WD12		Remarks: weichai WP10 WP12																													
	<p>KD0136</p> <table border="1"> <tr><td>Part No.</td><td>612630040024</td></tr> <tr><td>CH part name</td><td>气门导管</td></tr> <tr><td>EN part name</td><td>valve guide</td></tr> <tr><td>RU part name</td><td>Направляющая клапана</td></tr> <tr><td>Size:mm</td><td></td></tr> <tr><td>Weight:kg</td><td>0.045</td></tr> <tr><td>NO.</td><td><b>NO.9-33</b></td></tr> </table>	Part No.	612630040024	CH part name	气门导管	EN part name	valve guide	RU part name	Направляющая клапана	Size:mm		Weight:kg	0.045	NO.	<b>NO.9-33</b>		<p>KD0137</p> <table border="1"> <tr><td>Part No.</td><td>612630040022</td></tr> <tr><td>CH part name</td><td>气门导管</td></tr> <tr><td>EN part name</td><td>valve guide</td></tr> <tr><td>RU part name</td><td>Направляющая клапана</td></tr> <tr><td>Size:mm</td><td></td></tr> <tr><td>Weight:kg</td><td>0.051</td></tr> <tr><td>NO.</td><td><b>NO.9-37</b></td></tr> </table>	Part No.	612630040022	CH part name	气门导管	EN part name	valve guide	RU part name	Направляющая клапана	Size:mm		Weight:kg	0.051	NO.	<b>NO.9-37</b>
Part No.	612630040024																														
CH part name	气门导管																														
EN part name	valve guide																														
RU part name	Направляющая клапана																														
Size:mm																															
Weight:kg	0.045																														
NO.	<b>NO.9-33</b>																														
Part No.	612630040022																														
CH part name	气门导管																														
EN part name	valve guide																														
RU part name	Направляющая клапана																														
Size:mm																															
Weight:kg	0.051																														
NO.	<b>NO.9-37</b>																														
Remarks: weichsai WP12 WP10		Remarks: weichai WP12 WP10																													
	<p>KD0138</p> <table border="1"> <tr><td>Part No.</td><td>90003989277</td></tr> <tr><td>CH part name</td><td>缸盖碗形塞片</td></tr> <tr><td>EN part name</td><td>Cup plug</td></tr> <tr><td>RU part name</td><td>Чашечный пробка</td></tr> <tr><td>Size:mm</td><td></td></tr> <tr><td>Weight:kg</td><td>0.021</td></tr> <tr><td>NO.</td><td><b>NO.9-16</b></td></tr> </table>	Part No.	90003989277	CH part name	缸盖碗形塞片	EN part name	Cup plug	RU part name	Чашечный пробка	Size:mm		Weight:kg	0.021	NO.	<b>NO.9-16</b>		<p>KD0139</p> <table border="1"> <tr><td>Part No.</td><td>612630040028</td></tr> <tr><td>CH part name</td><td>密封圈</td></tr> <tr><td>EN part name</td><td>Sealing ring</td></tr> <tr><td>RU part name</td><td>Уплотнительное кольцо</td></tr> <tr><td>Size:mm</td><td></td></tr> <tr><td>Weight:kg</td><td>0.001</td></tr> <tr><td>NO.</td><td><b>NO.9-32</b></td></tr> </table>	Part No.	612630040028	CH part name	密封圈	EN part name	Sealing ring	RU part name	Уплотнительное кольцо	Size:mm		Weight:kg	0.001	NO.	<b>NO.9-32</b>
Part No.	90003989277																														
CH part name	缸盖碗形塞片																														
EN part name	Cup plug																														
RU part name	Чашечный пробка																														
Size:mm																															
Weight:kg	0.021																														
NO.	<b>NO.9-16</b>																														
Part No.	612630040028																														
CH part name	密封圈																														
EN part name	Sealing ring																														
RU part name	Уплотнительное кольцо																														
Size:mm																															
Weight:kg	0.001																														
NO.	<b>NO.9-32</b>																														
Remarks: weichsai WD615 WD618 WD12		Remarks: weichai WP12 WP10																													
	<p>KD0140</p> <table border="1"> <tr><td>Part No.</td><td>90003989294</td></tr> <tr><td>CH part name</td><td>缸盖碗形塞</td></tr> <tr><td>EN part name</td><td>Cup plug</td></tr> <tr><td>RU part name</td><td>Чашечный пробка</td></tr> <tr><td>Size:mm</td><td></td></tr> <tr><td>Weight:kg</td><td>0.012</td></tr> <tr><td>NO.</td><td><b>NO.9-21</b></td></tr> </table>	Part No.	90003989294	CH part name	缸盖碗形塞	EN part name	Cup plug	RU part name	Чашечный пробка	Size:mm		Weight:kg	0.012	NO.	<b>NO.9-21</b>		<p>KD0141</p> <table border="1"> <tr><td>Part No.</td><td>90003989721</td></tr> <tr><td>CH part name</td><td>缸盖碗形塞片</td></tr> <tr><td>EN part name</td><td>Cup plug</td></tr> <tr><td>RU part name</td><td>Чашечный пробка</td></tr> <tr><td>Size:mm</td><td></td></tr> <tr><td>Weight:kg</td><td>0.02</td></tr> <tr><td>NO.</td><td><b>NO.9-15</b></td></tr> </table>	Part No.	90003989721	CH part name	缸盖碗形塞片	EN part name	Cup plug	RU part name	Чашечный пробка	Size:mm		Weight:kg	0.02	NO.	<b>NO.9-15</b>
Part No.	90003989294																														
CH part name	缸盖碗形塞																														
EN part name	Cup plug																														
RU part name	Чашечный пробка																														
Size:mm																															
Weight:kg	0.012																														
NO.	<b>NO.9-21</b>																														
Part No.	90003989721																														
CH part name	缸盖碗形塞片																														
EN part name	Cup plug																														
RU part name	Чашечный пробка																														
Size:mm																															
Weight:kg	0.02																														
NO.	<b>NO.9-15</b>																														
Remarks: weichsai WD615 WD618 WD12		Remarks: weichai WD615 WD618 WD12																													



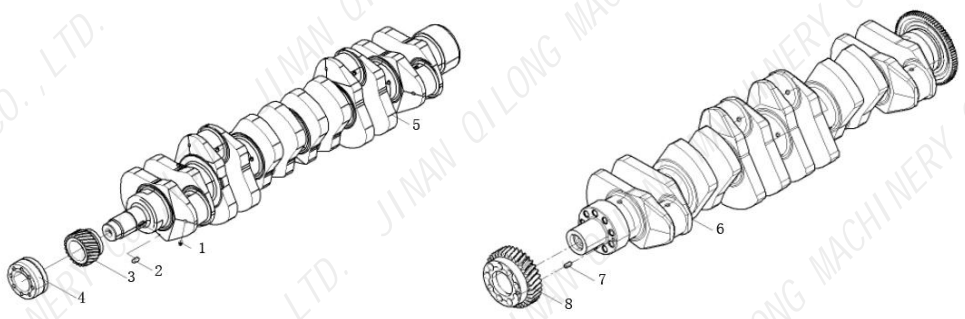





# SHACMAN(1)

	<table border="1"> <tr><td>Part No.</td><td>612630040072</td></tr> <tr><td>CH part name</td><td>缸盖碗形塞</td></tr> <tr><td>EN part name</td><td>Cup plug</td></tr> <tr><td>RU part name</td><td>Чашечный пробка</td></tr> <tr><td>Size:mm</td><td></td></tr> <tr><td>Weight:kg</td><td></td></tr> <tr><td>NO.</td><td><b>NO.9-30</b></td></tr> </table>	Part No.	612630040072	CH part name	缸盖碗形塞	EN part name	Cup plug	RU part name	Чашечный пробка	Size:mm		Weight:kg		NO.	<b>NO.9-30</b>		<table border="1"> <tr><td>Part No.</td><td>612600040634</td></tr> <tr><td>CH part name</td><td>缸盖碗形塞片</td></tr> <tr><td>EN part name</td><td>Cup plug</td></tr> <tr><td>RU part name</td><td>Чашечный пробка</td></tr> <tr><td>Size:mm</td><td></td></tr> <tr><td>Weight:kg</td><td></td></tr> <tr><td>NO.</td><td><b>NO.9-41</b></td></tr> </table>	Part No.	612600040634	CH part name	缸盖碗形塞片	EN part name	Cup plug	RU part name	Чашечный пробка	Size:mm		Weight:kg		NO.	<b>NO.9-41</b>
Part No.	612630040072																														
CH part name	缸盖碗形塞																														
EN part name	Cup plug																														
RU part name	Чашечный пробка																														
Size:mm																															
Weight:kg																															
NO.	<b>NO.9-30</b>																														
Part No.	612600040634																														
CH part name	缸盖碗形塞片																														
EN part name	Cup plug																														
RU part name	Чашечный пробка																														
Size:mm																															
Weight:kg																															
NO.	<b>NO.9-41</b>																														
Remarks: weichsai WP12		Remarks: weichai WP12																													
	<table border="1"> <tr><td>Part No.</td><td>612600040639</td></tr> <tr><td>CH part name</td><td>缸盖碗形塞</td></tr> <tr><td>EN part name</td><td>Cup plug</td></tr> <tr><td>RU part name</td><td>Чашечный пробка</td></tr> <tr><td>Size:mm</td><td></td></tr> <tr><td>Weight:kg</td><td></td></tr> <tr><td>NO.</td><td><b>NO.9-40</b></td></tr> </table>	Part No.	612600040639	CH part name	缸盖碗形塞	EN part name	Cup plug	RU part name	Чашечный пробка	Size:mm		Weight:kg		NO.	<b>NO.9-40</b>		<table border="1"> <tr><td>Part No.</td><td>612600040633</td></tr> <tr><td>CH part name</td><td>缸盖碗形塞</td></tr> <tr><td>EN part name</td><td>Cup plug</td></tr> <tr><td>RU part name</td><td>Чашечный пробка</td></tr> <tr><td>Size:mm</td><td></td></tr> <tr><td>Weight:kg</td><td></td></tr> <tr><td>NO.</td><td><b>NO.9-40</b></td></tr> </table>	Part No.	612600040633	CH part name	缸盖碗形塞	EN part name	Cup plug	RU part name	Чашечный пробка	Size:mm		Weight:kg		NO.	<b>NO.9-40</b>
Part No.	612600040639																														
CH part name	缸盖碗形塞																														
EN part name	Cup plug																														
RU part name	Чашечный пробка																														
Size:mm																															
Weight:kg																															
NO.	<b>NO.9-40</b>																														
Part No.	612600040633																														
CH part name	缸盖碗形塞																														
EN part name	Cup plug																														
RU part name	Чашечный пробка																														
Size:mm																															
Weight:kg																															
NO.	<b>NO.9-40</b>																														
Remarks: weichsai WP10		Remarks: weichsai WP12																													
	<table border="1"> <tr><td>Part No.</td><td>614040065</td></tr> <tr><td>CH part name</td><td>气缸盖罩</td></tr> <tr><td>EN part name</td><td>Cylinder head cover</td></tr> <tr><td>RU part name</td><td>Крышка ГБЦ</td></tr> <tr><td>Size:mm</td><td>120*80*68</td></tr> <tr><td>Weight:kg</td><td>0.46</td></tr> <tr><td>NO.</td><td><b>NO.10-1</b></td></tr> </table>	Part No.	614040065	CH part name	气缸盖罩	EN part name	Cylinder head cover	RU part name	Крышка ГБЦ	Size:mm	120*80*68	Weight:kg	0.46	NO.	<b>NO.10-1</b>		<table border="1"> <tr><td>Part No.</td><td>612630040005</td></tr> <tr><td>CH part name</td><td>气缸盖罩</td></tr> <tr><td>EN part name</td><td>Cylinder head cover</td></tr> <tr><td>RU part name</td><td>Крышка ГБЦ</td></tr> <tr><td>Size:mm</td><td>224*145*140</td></tr> <tr><td>Weight:kg</td><td>0.85</td></tr> <tr><td>NO.</td><td><b>NO.10-4</b></td></tr> </table>	Part No.	612630040005	CH part name	气缸盖罩	EN part name	Cylinder head cover	RU part name	Крышка ГБЦ	Size:mm	224*145*140	Weight:kg	0.85	NO.	<b>NO.10-4</b>
Part No.	614040065																														
CH part name	气缸盖罩																														
EN part name	Cylinder head cover																														
RU part name	Крышка ГБЦ																														
Size:mm	120*80*68																														
Weight:kg	0.46																														
NO.	<b>NO.10-1</b>																														
Part No.	612630040005																														
CH part name	气缸盖罩																														
EN part name	Cylinder head cover																														
RU part name	Крышка ГБЦ																														
Size:mm	224*145*140																														
Weight:kg	0.85																														
NO.	<b>NO.10-4</b>																														
Remarks: weichsai WD615 WD618		Remarks: weichai WP12																													
	<table border="1"> <tr><td>Part No.</td><td>612600040149</td></tr> <tr><td>CH part name</td><td>气缸盖罩</td></tr> <tr><td>EN part name</td><td>Cylinder head cover</td></tr> <tr><td>RU part name</td><td>Крышка ГБЦ</td></tr> <tr><td>Size:mm</td><td>120*80*68</td></tr> <tr><td>Weight:kg</td><td>0.46</td></tr> <tr><td>NO.</td><td><b>NO.10-1</b></td></tr> </table>	Part No.	612600040149	CH part name	气缸盖罩	EN part name	Cylinder head cover	RU part name	Крышка ГБЦ	Size:mm	120*80*68	Weight:kg	0.46	NO.	<b>NO.10-1</b>		<table border="1"> <tr><td>Part No.</td><td>614040021</td></tr> <tr><td>CH part name</td><td>气缸盖罩衬垫</td></tr> <tr><td>EN part name</td><td>Gasket</td></tr> <tr><td>RU part name</td><td>прокладка</td></tr> <tr><td>Size:mm</td><td></td></tr> <tr><td>Weight:kg</td><td>0.01</td></tr> <tr><td>NO.</td><td><b>NO.10-2</b></td></tr> </table>	Part No.	614040021	CH part name	气缸盖罩衬垫	EN part name	Gasket	RU part name	прокладка	Size:mm		Weight:kg	0.01	NO.	<b>NO.10-2</b>
Part No.	612600040149																														
CH part name	气缸盖罩																														
EN part name	Cylinder head cover																														
RU part name	Крышка ГБЦ																														
Size:mm	120*80*68																														
Weight:kg	0.46																														
NO.	<b>NO.10-1</b>																														
Part No.	614040021																														
CH part name	气缸盖罩衬垫																														
EN part name	Gasket																														
RU part name	прокладка																														
Size:mm																															
Weight:kg	0.01																														
NO.	<b>NO.10-2</b>																														
Remarks: weichai WP10 WD12		Remarks: weichai WP10 WD12 WD615 WD618 612600040565																													

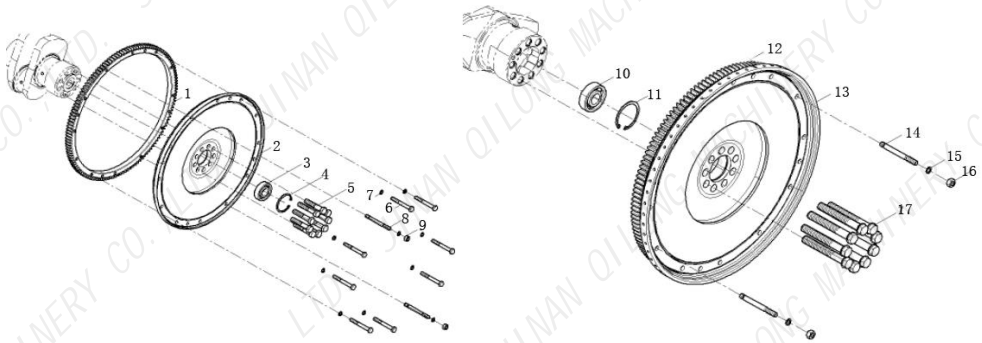


# SHACMAN(1)

Body/Cylinder head cover assembly		NO.10															
		KD0150															
			<table border="1"> <tr><td>Part No.</td><td>612630040007</td></tr> <tr><td>CH part name</td><td>气缸盖罩衬垫</td></tr> <tr><td>EN part name</td><td>Gasket</td></tr> <tr><td>RU part name</td><td>прокладка</td></tr> <tr><td>Size:mm</td><td>224*145*0.1</td></tr> <tr><td>Weight:kg</td><td>0.014</td></tr> <tr><td>NO.</td><td><b>NO.10-5</b></td></tr> </table>	Part No.	612630040007	CH part name	气缸盖罩衬垫	EN part name	Gasket	RU part name	прокладка	Size:mm	224*145*0.1	Weight:kg	0.014	NO.	<b>NO.10-5</b>
Part No.	612630040007																
CH part name	气缸盖罩衬垫																
EN part name	Gasket																
RU part name	прокладка																
Size:mm	224*145*0.1																
Weight:kg	0.014																
NO.	<b>NO.10-5</b>																
Remarks: weichai WP12		KD0151															
																	
		<table border="1"> <tr><td>Part No.</td><td>612600040636</td></tr> <tr><td>CH part name</td><td>六角法兰面螺栓</td></tr> <tr><td>EN part name</td><td>Scrw</td></tr> <tr><td>RU part name</td><td></td></tr> <tr><td>Size:mm</td><td></td></tr> <tr><td>Weight:kg</td><td>0.05</td></tr> <tr><td>NO.</td><td><b>NO.10-3</b></td></tr> </table>	Part No.	612600040636	CH part name	六角法兰面螺栓	EN part name	Scrw	RU part name		Size:mm		Weight:kg	0.05	NO.	<b>NO.10-3</b>	
Part No.	612600040636																
CH part name	六角法兰面螺栓																
EN part name	Scrw																
RU part name																	
Size:mm																	
Weight:kg	0.05																
NO.	<b>NO.10-3</b>																
Remarks: weichai WD615 WD618 WD12 WP10 90003800466		KD0152															
		<table border="1"> <tr><td>Part No.</td><td>612600020373</td></tr> <tr><td>CH part name</td><td>曲轴</td></tr> <tr><td>EN part name</td><td>Crankshaft assy.</td></tr> <tr><td>RU part name</td><td>Коленвал в сборе</td></tr> <tr><td>Size:mm</td><td>1100*220*220</td></tr> <tr><td>Weight:kg</td><td>107.45</td></tr> <tr><td>NO.</td><td><b>NO.11-5</b></td></tr> </table>		Part No.	612600020373	CH part name	曲轴	EN part name	Crankshaft assy.	RU part name	Коленвал в сборе	Size:mm	1100*220*220	Weight:kg	107.45	NO.	<b>NO.11-5</b>
Part No.	612600020373																
CH part name	曲轴																
EN part name	Crankshaft assy.																
RU part name	Коленвал в сборе																
Size:mm	1100*220*220																
Weight:kg	107.45																
NO.	<b>NO.11-5</b>																
Remarks: weichai WD615 WP10 612600020865 612600020060		KD0153															
																	
		<table border="1"> <tr><td>Part No.</td><td>612630040144</td></tr> <tr><td>CH part name</td><td>六角法兰面螺栓</td></tr> <tr><td>EN part name</td><td>Scrw</td></tr> <tr><td>RU part name</td><td></td></tr> <tr><td>Size:mm</td><td></td></tr> <tr><td>Weight:kg</td><td>0.06</td></tr> <tr><td>NO.</td><td><b>NO.10-6</b></td></tr> </table>	Part No.	612630040144	CH part name	六角法兰面螺栓	EN part name	Scrw	RU part name		Size:mm		Weight:kg	0.06	NO.	<b>NO.10-6</b>	
Part No.	612630040144																
CH part name	六角法兰面螺栓																
EN part name	Scrw																
RU part name																	
Size:mm																	
Weight:kg	0.06																
NO.	<b>NO.10-6</b>																
Remarks: weichai WP12		KD0154															
		<table border="1"> <tr><td>Part No.</td><td>612600020863</td></tr> <tr><td>CH part name</td><td>曲轴</td></tr> <tr><td>EN part name</td><td>Crankshaft assy.</td></tr> <tr><td>RU part name</td><td>Коленвал в сборе</td></tr> <tr><td>Size:mm</td><td></td></tr> <tr><td>Weight:kg</td><td>110</td></tr> <tr><td>NO.</td><td><b>NO.11-5</b></td></tr> </table>		Part No.	612600020863	CH part name	曲轴	EN part name	Crankshaft assy.	RU part name	Коленвал в сборе	Size:mm		Weight:kg	110	NO.	<b>NO.11-5</b>
Part No.	612600020863																
CH part name	曲轴																
EN part name	Crankshaft assy.																
RU part name	Коленвал в сборе																
Size:mm																	
Weight:kg	110																
NO.	<b>NO.11-5</b>																
Remarks: weichai WD618 WD12 612600020861		KD0155															
																	
		<table border="1"> <tr><td>Part No.</td><td>612630020038</td></tr> <tr><td>CH part name</td><td>曲轴</td></tr> <tr><td>EN part name</td><td>Crankshaft assy.</td></tr> <tr><td>RU part name</td><td>Коленвал в сборе</td></tr> <tr><td>Size:mm</td><td></td></tr> <tr><td>Weight:kg</td><td>115</td></tr> <tr><td>NO.</td><td><b>NO.11-6</b></td></tr> </table>	Part No.	612630020038	CH part name	曲轴	EN part name	Crankshaft assy.	RU part name	Коленвал в сборе	Size:mm		Weight:kg	115	NO.	<b>NO.11-6</b>	
Part No.	612630020038																
CH part name	曲轴																
EN part name	Crankshaft assy.																
RU part name	Коленвал в сборе																
Size:mm																	
Weight:kg	115																
NO.	<b>NO.11-6</b>																
Remarks: weichai WP12																	

# SHACMAN(1)

Motion mechanism/Crankshaft		NO.11	
	KD0156		
		Part No.	612600020234
		CH part name	曲轴齿轮
		EN part name	Crankshaft gear
		RU part name	Шестерня коленвала
		Size:mm	84*40
		Weight:kg	0.75
		NO.	<b>NO.11-3</b>
Remarks: weichai WP10 WD618 WD12			
	KD0157		
		Part No.	612600020036
		CH part name	曲轴齿轮
		EN part name	Crankshaft gear
		RU part name	Шестерня коленвала
		Size:mm	84*40
		Weight:kg	0.75
		NO.	<b>NO.11-3</b>
Remarks: weichai WD615			
KD0158		KD0159	
	Part No.	612630020006	
	CH part name	曲轴齿轮	
	EN part name	Crankshaft gear	
	RU part name	Шестерня коленвала	
	Size:mm		
	Weight:kg	0.98	
	NO.	<b>NO.11-8</b>	
Remarks: weichai WP12			
KD0160		KD0161	
	Part No.	90003901418	
	CH part name	圆柱销	
	EN part name	Cylindrical pin	
	RU part name	Цилиндрический штифт	
	Size:mm		
	Weight:kg	0.01	
	NO.	<b>NO.11-7</b>	
Remarks: weichai WD615 WP12 WP10 WD618 WD12			
		Part No.	612600020035
		CH part name	曲轴法兰
		EN part name	Flange
		RU part name	фланец коленчатого вала
		Size:mm	94*45
		Weight:kg	0.85
		NO.	<b>NO.11-4</b>
Remarks: weichai WP10 WD618 WD12			
Remarks: weichai WD615			

# SHACMAN(1)

Motion mechanism/flywheel		NO.12			
	KD0162				
					
	Part No.	612600020311			
	CH part name	曲轴堵塞			
	EN part name	Crankshaft clogged			
	RU part name	Засорен коленчатый вал			
	Size:mm				
	Weight:kg	0.001			
	NO.	<b>NO.11-1</b>			
	Remarks: weichai WD615 WD618 WD12 WP10 WP12				
KD0163					
					
Part No.	612600020040				
CH part name	平键				
EN part name	Crankshaft flat key				
RU part name	Плоский ключ коленчатого вала				
Size:mm					
Weight:kg	0.001				
NO.	<b>NO.11-2</b>				
Remarks: weichai WD615 WP10 WD618 WD12					
KD0164		KD0165			
	Part No.	612600020208			
	CH part name	飞轮齿圈			
	EN part name	Flywheel gear			
	RU part name	Венец зубчатый маховика			
	Size:mm	480*430*20			
	Weight:kg	5			
	NO.	<b>NO.12-1</b>			
	Remarks: weichai WD615 WP10 WP12 WD618 WD12				
KD0166		KD0167			
	Part No.	90003311416			
	CH part name	飞轮轴承6305			
	EN part name	Flywheel bearing			
	RU part name	Подшипник шариковый			
	Size:mm	61.7*11.5			
	Weight:kg	0.22			
	NO.	<b>NO.12-3</b>			
	Remarks: weichai WD615 WD618 WD12 WP10 WP12				
KD0165		KD0167			
					
Part No.	612600020220		Part No.	612630020051	
CH part name	飞轮		CH part name	飞轮	
EN part name	Flywheel		EN part name	Flywheel	
RU part name	Маховик		RU part name	Маховик	
Size:mm	480*480*67		Size:mm	500*500*150	
Weight:kg	22.35		Weight:kg	22.95	
NO.	<b>NO.12-2</b>		NO.	<b>NO.12-13</b>	
Remarks: weichai WD615 WD12 WP10 WD618					
KD0166		KD0167			
					
Part No.	90003311416		Part No.	612630020051	
CH part name	飞轮轴承6305		CH part name	飞轮	
EN part name	Flywheel bearing		EN part name	Flywheel	
RU part name	Подшипник шариковый		RU part name	Маховик	
Size:mm	61.7*11.5		Size:mm	500*500*150	
Weight:kg	0.22		Weight:kg	22.95	
NO.	<b>NO.12-3</b>		NO.	<b>NO.12-13</b>	
Remarks: weichai WP12					

# SHACMAN(1)

	<p>Part No. 90003934310</p> <p>CH part name 孔用弹性档圈</p> <p>EN part name Elastic dampers for holes</p> <p>RU part name Дырочки на эластичных колесах</p> <p>Size:mm</p> <p>Weight:kg 0.001</p> <p>NO. <b>NO.12-4</b></p>		<p>Part No. 61500020046</p> <p>CH part name 飞轮壳螺栓</p> <p>EN part name Flywheel bolt</p> <p>RU part name Болт с колесами</p> <p>Size:mm M16*60</p> <p>Weight:kg 0.067</p> <p>NO. <b>NO.12-5</b></p>
Remarks: weichai WD615 WD618 WD12 WP10 WP12		Remarks: weichai WD615 WD618 WD12 WP10	
	<p>Part No. 90003800579</p> <p>CH part name 飞轮齿圈螺柱</p> <p>EN part name Flying gear rim stud</p> <p>RU part name ШПИЛЬКА</p> <p>Size:mm M10*85</p> <p>Weight:kg 0.069</p> <p>NO. <b>NO.12-6</b></p>		<p>Part No. 612630020010</p> <p>CH part name 飞轮壳螺栓</p> <p>EN part name Flywheel bolt</p> <p>RU part name Болт с колесами</p> <p>Size:mm M16*1.5*120</p> <p>Weight:kg 0.072</p> <p>NO. <b>NO.12-17</b></p>
Remarks: weichai WD615 WD618 WD12		Remarks: weichai WP12	
	<p>Part No. 90011620014</p> <p>CH part name 飞轮齿圈双头螺柱</p> <p>EN part name Double end studs</p> <p>RU part name Двойная шпилька</p> <p>Size:mm M10*85</p> <p>Weight:kg 0.055</p> <p>NO. <b>NO.12-8</b></p>		<p>Part No. 90003813571</p> <p>CH part name 飞轮齿圈双头螺柱</p> <p>EN part name Double end studs</p> <p>RU part name Двойная шпилька</p> <p>Size:mm M10*1.5*90</p> <p>Weight:kg 0.056</p> <p>NO. <b>NO.12-14</b></p>
Remarks: weichai WD615 WD618 WD12		Remarks: weichai WP12 WP10	
	<p>Part No. 61800020012</p> <p>CH part name 曲轴减震器</p> <p>EN part name Vibration damper</p> <p>RU part name Гаситель колебаний</p> <p>Size:mm 280*280*46</p> <p>Weight:kg 12.5</p> <p>NO. <b>NO.13-1</b></p>		<p>Part No. 61560020010</p> <p>CH part name 曲轴减震器</p> <p>EN part name Vibration damper</p> <p>RU part name Гаситель колебаний</p> <p>Size:mm 280*38</p> <p>Weight:kg 12.48</p> <p>NO. <b>NO.13-1</b></p>
Remarks: weichai WD618 WD12		Remarks: weichai WD615 WP10	

# SHACMAN(1)

Motion mechanism/Crankshaft pulley		NO.13		
	KD0177			
			Part No.	612600020940
			CH part name	扭振减振器
			EN part name	Vibration damper
			RU part name	Гаситель колебаний
			Size:mm	
			Weight:kg	11
			NO.	<b>NO.13-3</b>
	Remarks: weichai WP10			
	KD0178			
		Part No.	612630020203	
		CH part name	扭振减振器	
		EN part name	Vibration damper	
		RU part name	Гаситель колебаний	
		Size:mm		
		Weight:kg	11.5	
		NO.	<b>NO.13-2</b>	
Remarks:weichai WP12				
KD0179		KD0180		
	Part No.	612600020252	Part No.	612600020702
	CH part name	曲轴皮带轮	CH part name	曲轴皮带轮
	EN part name	Pulley	EN part name	Pulley
	RU part name	Шкив	RU part name	Шкив
	Size:mm	180*180*80	Size:mm	
	Weight:kg	4.5	Weight:kg	
	NO.	<b>NO.13-4</b>	NO.	<b>NO.13-6</b>
Remarks: weichai WD615		Remarks: weichai WP10 61260002077 300马力以上 612600020667 300马力一下		
KD0181		KD0182		
	Part No.	612600020210	Part No.	612630020159
	CH part name	曲轴皮带轮	CH part name	曲轴皮带轮
	EN part name	Pulley	EN part name	Pulley
	RU part name	Шкив	RU part name	Шкив
	Size:mm		Size:mm	
	Weight:kg	6.926	Weight:kg	6.9
	NO.	<b>NO.13-4</b>	NO.	<b>NO.13-5</b>
Remarks: weichai WD618 WD12		Remarks: weichai WP12		

# SHACMAN(1)

Motion mechanism/Piston, connecting rod		NO.14	
	KD0183		
	Part No.	90003802558	
	CH part name	六角头螺栓	
	EN part name	Hexagonal head bolt	
	RU part name	Болт с шестигранной головкой	
	Size:mm		
	Weight:kg		
	N.	<b>NO.13-7-9</b>	
	Remarks: weichai WD615 WD618 WD12 WP10		
	KD0184		
	Part No.	90003802544	
	CH part name	六角头螺栓	
	EN part name	Hexagonal head bolt	
	RU part name	Болт с шестигранной головкой	
	Size:mm	M10*30	
	Weight:kg	0.01	
	NO..	<b>NO.13-8</b>	
	Remarks: weichai WP12		
KD0185		KD0186	
	Part No.	612600030010	
	CH part name	活塞	
	EN part name	Piston (under 360hp)	
	RU part name	Поршень(ниже 360л.с)	
	Size:mm	123*123*126	
	Weight:kg	1.98	
	NO.	<b>NO.14-1</b>	
Remarks: weichai WD615 612600030011			
	Part No.	612600030017	
	CH part name	活塞	
	EN part name	Piston	
	RU part name	Поршень	
	Size:mm	123*123*126	
	Weight:kg	2.1	
	NO.	<b>NO.14-1</b>	
Remarks: weichai WD618 WD12			
KD0187		KD0188	
	Part No.	612630020005	
	CH part name	活塞	
	EN part name	Piston	
	RU part name	Поршень	
	Size:mm	123*123*126	
	Weight:kg	2.1	
	NO.	<b>NO.14-2</b>	
Remarks: weichai WP12 612630020152			
	Part No.	612650020002	
	CH part name	活塞	
	EN part name	Piston	
	RU part name	Поршень	
	Size:mm	123*123*126	
	Weight:kg	2.1	
	NO.	<b>NO.14-1</b>	
Remarks: weichai WP10 612600030034			

# SHACMAN(1)

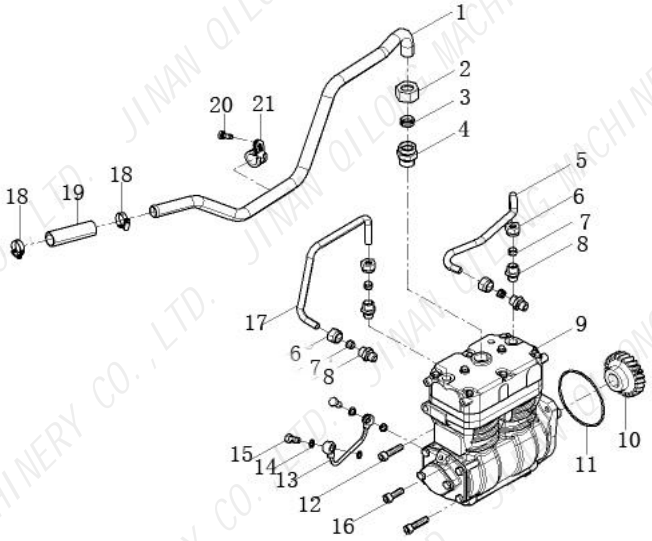






	<table border="1"> <tr><td>Part No.</td><td>612600030054</td></tr> <tr><td>CH part name</td><td>活塞环</td></tr> <tr><td>EN part name</td><td>Piston ring</td></tr> <tr><td>RU part name</td><td>Кольца поршня</td></tr> <tr><td>Size:mm</td><td>130*130*80</td></tr> <tr><td>Weight:kg</td><td>0.63</td></tr> <tr><td>NO.</td><td><b>NO.14-5</b></td></tr> </table>	Part No.	612600030054	CH part name	活塞环	EN part name	Piston ring	RU part name	Кольца поршня	Size:mm	130*130*80	Weight:kg	0.63	NO.	<b>NO.14-5</b>		<table border="1"> <tr><td>Part No.</td><td>612600030053</td></tr> <tr><td>CH part name</td><td>活塞环</td></tr> <tr><td>EN part name</td><td>Piston ring</td></tr> <tr><td>RU part name</td><td>Кольца поршня</td></tr> <tr><td>Size:mm</td><td>130*130*80</td></tr> <tr><td>Weight:kg</td><td>0.63</td></tr> <tr><td>NO.</td><td><b>NO.14-4</b></td></tr> </table>	Part No.	612600030053	CH part name	活塞环	EN part name	Piston ring	RU part name	Кольца поршня	Size:mm	130*130*80	Weight:kg	0.63	NO.	<b>NO.14-4</b>
Part No.	612600030054																														
CH part name	活塞环																														
EN part name	Piston ring																														
RU part name	Кольца поршня																														
Size:mm	130*130*80																														
Weight:kg	0.63																														
NO.	<b>NO.14-5</b>																														
Part No.	612600030053																														
CH part name	活塞环																														
EN part name	Piston ring																														
RU part name	Кольца поршня																														
Size:mm	130*130*80																														
Weight:kg	0.63																														
NO.	<b>NO.14-4</b>																														
Remarks: weichai WP12		Remarks:weichai WP10 WD618 WD12																													
	<table border="1"> <tr><td>Part No.</td><td>612600030051</td></tr> <tr><td>CH part name</td><td>活塞环</td></tr> <tr><td>EN part name</td><td>Piston ring</td></tr> <tr><td>RU part name</td><td>Кольца поршня</td></tr> <tr><td>Size:mm</td><td>130*130*80</td></tr> <tr><td>Weight:kg</td><td>0.63</td></tr> <tr><td>NO.</td><td><b>NO.14-4</b></td></tr> </table>	Part No.	612600030051	CH part name	活塞环	EN part name	Piston ring	RU part name	Кольца поршня	Size:mm	130*130*80	Weight:kg	0.63	NO.	<b>NO.14-4</b>		<table border="1"> <tr><td>Part No.</td><td>61500030009</td></tr> <tr><td>CH part name</td><td>连杆总成</td></tr> <tr><td>EN part name</td><td>Connecting rod</td></tr> <tr><td>RU part name</td><td>Шатун в сборе</td></tr> <tr><td>Size:mm</td><td>360*145*50</td></tr> <tr><td>Weight:kg</td><td>3.53</td></tr> <tr><td>NO.</td><td><b>NO.14-3</b></td></tr> </table>	Part No.	61500030009	CH part name	连杆总成	EN part name	Connecting rod	RU part name	Шатун в сборе	Size:mm	360*145*50	Weight:kg	3.53	NO.	<b>NO.14-3</b>
Part No.	612600030051																														
CH part name	活塞环																														
EN part name	Piston ring																														
RU part name	Кольца поршня																														
Size:mm	130*130*80																														
Weight:kg	0.63																														
NO.	<b>NO.14-4</b>																														
Part No.	61500030009																														
CH part name	连杆总成																														
EN part name	Connecting rod																														
RU part name	Шатун в сборе																														
Size:mm	360*145*50																														
Weight:kg	3.53																														
NO.	<b>NO.14-3</b>																														
Remarks: weichai WD615		Remarks: weichai WD615 WP10																													
	<table border="1"> <tr><td>Part No.</td><td>612600030042</td></tr> <tr><td>CH part name</td><td>连杆总成</td></tr> <tr><td>EN part name</td><td>Connecting rod</td></tr> <tr><td>RU part name</td><td>Шатун в сборе</td></tr> <tr><td>Size:mm</td><td>360*145*50</td></tr> <tr><td>Weight:kg</td><td>3.53</td></tr> <tr><td>NO.</td><td><b>NO.14-3</b></td></tr> </table>	Part No.	612600030042	CH part name	连杆总成	EN part name	Connecting rod	RU part name	Шатун в сборе	Size:mm	360*145*50	Weight:kg	3.53	NO.	<b>NO.14-3</b>		<table border="1"> <tr><td>Part No.</td><td>61800030041</td></tr> <tr><td>CH part name</td><td>连杆总成</td></tr> <tr><td>EN part name</td><td>Connecting rod</td></tr> <tr><td>RU part name</td><td>Шатун в сборе</td></tr> <tr><td>Size:mm</td><td>340*140*45</td></tr> <tr><td>Weight:kg</td><td>3.45</td></tr> <tr><td>NO.</td><td><b>NO.14-3</b></td></tr> </table>	Part No.	61800030041	CH part name	连杆总成	EN part name	Connecting rod	RU part name	Шатун в сборе	Size:mm	340*140*45	Weight:kg	3.45	NO.	<b>NO.14-3</b>
Part No.	612600030042																														
CH part name	连杆总成																														
EN part name	Connecting rod																														
RU part name	Шатун в сборе																														
Size:mm	360*145*50																														
Weight:kg	3.53																														
NO.	<b>NO.14-3</b>																														
Part No.	61800030041																														
CH part name	连杆总成																														
EN part name	Connecting rod																														
RU part name	Шатун в сборе																														
Size:mm	340*140*45																														
Weight:kg	3.45																														
NO.	<b>NO.14-3</b>																														
Remarks: weichai WP10		Remarks: weichai WD618 WD12																													
	<table border="1"> <tr><td>Part No.</td><td>612630020326</td></tr> <tr><td>CH part name</td><td>连杆总成</td></tr> <tr><td>EN part name</td><td>Connecting rod</td></tr> <tr><td>RU part name</td><td>Шатун в сборе</td></tr> <tr><td>Size:mm</td><td>360*145*50</td></tr> <tr><td>Weight:kg</td><td>3.53</td></tr> <tr><td>NO.</td><td><b>NO.14-3</b></td></tr> </table>	Part No.	612630020326	CH part name	连杆总成	EN part name	Connecting rod	RU part name	Шатун в сборе	Size:mm	360*145*50	Weight:kg	3.53	NO.	<b>NO.14-3</b>		<table border="1"> <tr><td>Part No.</td><td>612630020019/612630020018</td></tr> <tr><td>CH part name</td><td>连杆轴瓦</td></tr> <tr><td>EN part name</td><td>Connecting rod bearing</td></tr> <tr><td>RU part name</td><td>Вкладыши шатуна</td></tr> <tr><td>Size:mm</td><td>160*90*35</td></tr> <tr><td>Weight:kg</td><td>1.04</td></tr> <tr><td>NO.</td><td><b>NO.14-11-12</b></td></tr> </table>	Part No.	612630020019/612630020018	CH part name	连杆轴瓦	EN part name	Connecting rod bearing	RU part name	Вкладыши шатуна	Size:mm	160*90*35	Weight:kg	1.04	NO.	<b>NO.14-11-12</b>
Part No.	612630020326																														
CH part name	连杆总成																														
EN part name	Connecting rod																														
RU part name	Шатун в сборе																														
Size:mm	360*145*50																														
Weight:kg	3.53																														
NO.	<b>NO.14-3</b>																														
Part No.	612630020019/612630020018																														
CH part name	连杆轴瓦																														
EN part name	Connecting rod bearing																														
RU part name	Вкладыши шатуна																														
Size:mm	160*90*35																														
Weight:kg	1.04																														
NO.	<b>NO.14-11-12</b>																														
Remarks: weichai WP12 612630020017		Remarks: weichai WP12																													









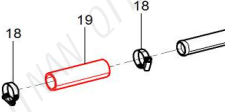
# SHACMAN(1)

KD0197			KD0198		
	Part No.	612600030121 /612600030045		Part No.	612600030033
	CH part name	连杆轴瓦		CH part name	连杆轴瓦
	EN part name	Connecting rod bearing		EN part name	Connecting rod bearing
	RU part name	Вкладыши шатуна		RU part name	Вкладыши шатуна
	Size:mm	160*90*35		Size:mm	160*90*35
	Weight:kg	1.11		Weight:kg	1.04
	NO.O.	<b>NO.14-11-12</b>		NO.	<b>NO.14-11-12</b>
Remarks: weichai WP10			Remarks: weichai WD618 WD12 WD615		
KD0199			KD0200		
	Part No.	61500030077		Part No.	612630020022
	CH part name	连杆衬套		CH part name	连杆衬套
	EN part name	Connecting rod bush		EN part name	Connecting rod bush
	RU part name	Втулка шатуна		RU part name	Втулка шатуна
	Size:mm	41*54		Size:mm	
	Weight:kg	0.73		Weight:kg	
	NO.O.	<b>NO.14-9</b>		NO.	<b>NO.14-9</b>
Remarks: weichai WD615 WD618 WD12 WP10			Remarks: weichai WP12		
KD0201			KD0202		
	Part No.	61560030013		Part No.	612630020025
	CH part name	活塞销		CH part name	活塞销
	EN part name	Piston pin		EN part name	Piston pin
	RU part name	Палец поршня		RU part name	Палец поршня
	Size:mm	105*49		Size:mm	100*53
	Weight:kg	1.274		Weight:kg	1.26
	NO.	<b>NO.14-6</b>		NO.	<b>NO.14-7</b>
Remarks: weichai WD615 WD618 WD12 WP10			Remarks: weichai WP12		
KD0203			KD0204		
	Part No.	81560030012		Part No.	612630020029
	CH part name	活塞销挡圈		CH part name	活塞销挡圈
	EN part name	Circlip		EN part name	Circlip
	RU part name	Кольцо стопорное пальца поршня		RU part name	Кольцо стопорное пальца поршня
	Size:mm	56.6*47.4*1.8		Size:mm	56.6*47.4*1.8
	Weight:kg	0.01		Weight:kg	0.01
	NO.	<b>NO.14-8A</b>		NO.	<b>NO.14-8</b>
Remarks: weichai WD615 WD618 WD12 WP10			Remarks: weichai WP12		

# SHACMAN(1)

Motion mechanism/Air compressor		NO.15	
	KD0205		
		Part No.	61800030019
		CH part name	连杆螺栓
		EN part name	Connector bolt
		RU part name	Болт
		Size:mm	14*68
		Weight:kg	0.09
	NO.	<b>NO.14-10</b>	
	Remarks: weichai WD618 WD12 WP12		
	KD0206		
	Part No.	81500030023	
	CH part name	连杆螺栓	
	EN part name	Connector bolt	
	RU part name	Болт	
	Size:mm	14*60	
	Weight:kg	0.09	
NO.	<b>NO.14-10</b>		
Remarks: weichai WD615 WP10			
KD0207			
	Part No.	612630030047	
	CH part name	双缸空压机	
	EN part name	Air compressor assy.	
	RU part name	Топливопроводы в сборе	
	Size:mm	250*2500*300	
	Weight:kg	16	
	NO.	<b>NO.15-9</b>	
Remarks: weichai WP12 612630030276			
KD0208			
	Part No.	612630030032	
	CH part name	空压机齿轮	
	EN part name	air compressor gear	
	RU part name	Шестерня коленвала	
	Size:mm		
	Weight:kg	0.68	
	NO.	<b>NO.15-10</b>	
Remarks: weichai WP12			
KD0209			
	Part No.	612630030304	
	CH part name	空压机进气管	
	EN part name	Air inlet pipe	
	RU part name	впускной патрубок	
	Size:mm		
	Weight:kg	0.075	
	NO.	<b>NO.15-1</b>	
Remarks: weichai WP12 612630030033			
KD0210			
	Part No.	612630030034	
	CH part name	空压机出水管	
	EN part name	Gas outlet pipe	
	RU part name	выпускной трубы	
	Size:mm		
	Weight:kg	0.2	
	NO.	<b>NO.15-5</b>	
Remarks: weichai WP12			

# SHACMAN(1)

	<p>Part No. 612630030037</p> <p>CH part name 双缸空压机油管</p> <p>EN part name Oil pipe</p> <p>RU part name нефтяной трубе</p> <p>Size:mm</p> <p>Weight:kg 0.18</p> <p>NO. <b>NO.15-13</b></p>		<p>Part No. 612630030036</p> <p>CH part name 空压机进水管</p> <p>EN part name Air inlet pipe</p> <p>RU part name впускной патрубок</p> <p>Size:mm</p> <p>Weight:kg 0.2</p> <p>NO. <b>NO.15-17</b></p>
Remarks: weichai WP12		Remarks: weichai WP12	
	<p>Part No. 612639000060</p> <p>CH part name 空压机双管接头</p> <p>EN part name Double pipe fittings</p> <p>RU part name Двойные штуцеры</p> <p>Size:mm</p> <p>Weight:kg 0.02</p> <p>NO. <b>NO.15-4</b></p>		<p>Part No. 612639000057</p> <p>CH part name 空压机双管接头</p> <p>EN part name Double pipe fittings</p> <p>RU part name Двойные штуцеры</p> <p>Size:mm</p> <p>Weight:kg 0.015</p> <p>NO. <b>NO.15-8</b></p>
Remarks: weichai WP12		Remarks: weichai WP12	
	<p>Part No. 612639000039</p> <p>CH part name 空压机密封圈</p> <p>EN part name Sealing ring</p> <p>RU part name Уплотнительное кольцо</p> <p>Size:mm</p> <p>Weight:kg 0.001</p> <p>NO. <b>NO.15-11</b></p>		<p>Part No. 612630030055</p> <p>CH part name 空心螺栓</p> <p>EN part name Hollow bolt</p> <p>RU part name Поый болт</p> <p>Size:mm</p> <p>Weight:kg 0.007</p> <p>NO. <b>NO.15-15</b></p>
Remarks: weichai WP12		Remarks: weichai WP12	
	<p>Part No. 90003989301</p> <p>CH part name 软管卡箍</p> <p>EN part name Hose clamps</p> <p>RU part name Хомуты для шлангов</p> <p>Size:mm</p> <p>Weight:kg 0.01</p> <p>NO. <b>NO.15-18</b></p>		<p>Part No. 612630030310</p> <p>CH part name 进气管软管</p> <p>EN part name Intake hose</p> <p>RU part name Всасывающий шланг</p> <p>Size:mm</p> <p>Weight:kg 0.01</p> <p>NO. <b>NO.15-19</b></p>
Remarks: weichai WP12		Remarks: weichai WP12	

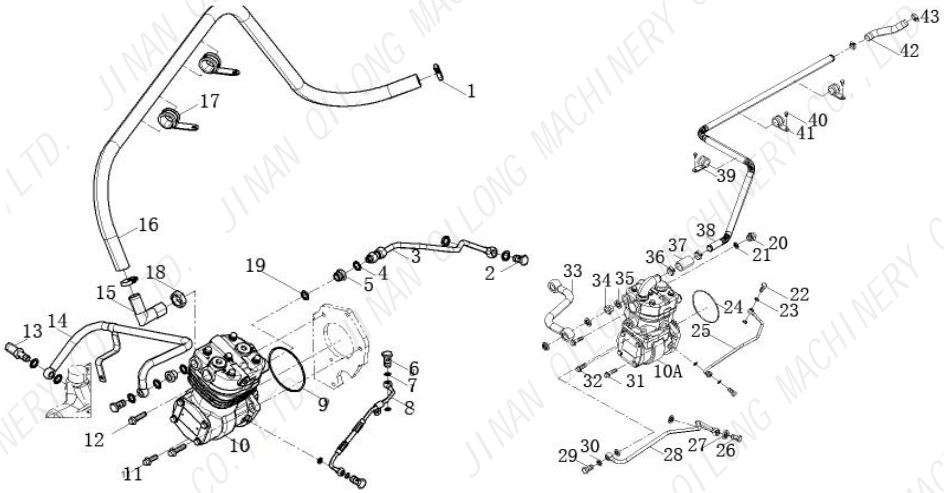



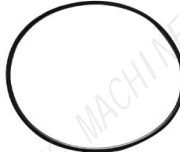


# SHACMAN(1)

Motion mechanism/Gear drive assembly		NO.16																													
	KD0219																														
			<table border="1"> <tr><td>Part No.</td><td>612630030002</td></tr> <tr><td>CH part name</td><td>凸轮轴止推片</td></tr> <tr><td>EN part name</td><td>Stop shim</td></tr> <tr><td>RU part name</td><td>Кольцо стопорное кулачкового вала</td></tr> <tr><td>Size:mm</td><td></td></tr> <tr><td>Weight:kg</td><td>0.13</td></tr> <tr><td>NO.</td><td><b>NO.16-1</b></td></tr> </table>	Part No.	612630030002	CH part name	凸轮轴止推片	EN part name	Stop shim	RU part name	Кольцо стопорное кулачкового вала	Size:mm		Weight:kg	0.13	NO.	<b>NO.16-1</b>														
	Part No.	612630030002																													
	CH part name	凸轮轴止推片																													
	EN part name	Stop shim																													
	RU part name	Кольцо стопорное кулачкового вала																													
	Size:mm																														
	Weight:kg	0.13																													
	NO.	<b>NO.16-1</b>																													
	Remarks: weichai WP12																														
KD0220																															
		<table border="1"> <tr><td>Part No.</td><td>90003802443S</td></tr> <tr><td>CH part name</td><td>六角头螺栓</td></tr> <tr><td>EN part name</td><td>Hex head bolt</td></tr> <tr><td>RU part name</td><td>Болт с шестигранной головкой</td></tr> <tr><td>Size:mm</td><td></td></tr> <tr><td>Weight:kg</td><td>0.02</td></tr> <tr><td>NO.</td><td><b>NO.16-2</b></td></tr> </table>	Part No.	90003802443S	CH part name	六角头螺栓	EN part name	Hex head bolt	RU part name	Болт с шестигранной головкой	Size:mm		Weight:kg	0.02	NO.	<b>NO.16-2</b>															
Part No.	90003802443S																														
CH part name	六角头螺栓																														
EN part name	Hex head bolt																														
RU part name	Болт с шестигранной головкой																														
Size:mm																															
Weight:kg	0.02																														
NO.	<b>NO.16-2</b>																														
Remarks: weichai WP12																															
KD0221		KD0222																													
	<table border="1"> <tr><td>Part No.</td><td>612630030001</td></tr> <tr><td>CH part name</td><td>飞轮壳连接板</td></tr> <tr><td>EN part name</td><td>Connection board</td></tr> <tr><td>RU part name</td><td>Плата подключения</td></tr> <tr><td>Size:mm</td><td></td></tr> <tr><td>Weight:kg</td><td>10.5</td></tr> <tr><td>NO.</td><td><b>NO.16-3</b></td></tr> </table>	Part No.	612630030001	CH part name	飞轮壳连接板	EN part name	Connection board	RU part name	Плата подключения	Size:mm		Weight:kg	10.5	NO.	<b>NO.16-3</b>		<table border="1"> <tr><td>Part No.</td><td>90003800619S</td></tr> <tr><td>CH part name</td><td>六角头螺栓</td></tr> <tr><td>EN part name</td><td>Hex head bolt</td></tr> <tr><td>RU part name</td><td>Болт с шестигранной головкой</td></tr> <tr><td>Size:mm</td><td></td></tr> <tr><td>Weight:kg</td><td>0.1</td></tr> <tr><td>NO.</td><td><b>NO.16-4</b></td></tr> </table>	Part No.	90003800619S	CH part name	六角头螺栓	EN part name	Hex head bolt	RU part name	Болт с шестигранной головкой	Size:mm		Weight:kg	0.1	NO.	<b>NO.16-4</b>
Part No.	612630030001																														
CH part name	飞轮壳连接板																														
EN part name	Connection board																														
RU part name	Плата подключения																														
Size:mm																															
Weight:kg	10.5																														
NO.	<b>NO.16-3</b>																														
Part No.	90003800619S																														
CH part name	六角头螺栓																														
EN part name	Hex head bolt																														
RU part name	Болт с шестигранной головкой																														
Size:mm																															
Weight:kg	0.1																														
NO.	<b>NO.16-4</b>																														
Remarks: weichai WP12		Remarks: weichai WP12																													
KD0223		KD0224																													
	<table border="1"> <tr><td>Part No.</td><td>612630030112</td></tr> <tr><td>CH part name</td><td>惰轮挡板</td></tr> <tr><td>EN part name</td><td>Idler baffle</td></tr> <tr><td>RU part name</td><td>Неправильная перегородка</td></tr> <tr><td>Size:mm</td><td></td></tr> <tr><td>Weight:kg</td><td>0.21</td></tr> <tr><td>NO.</td><td><b>NO.16-5</b></td></tr> </table>	Part No.	612630030112	CH part name	惰轮挡板	EN part name	Idler baffle	RU part name	Неправильная перегородка	Size:mm		Weight:kg	0.21	NO.	<b>NO.16-5</b>		<table border="1"> <tr><td>Part No.</td><td>612630030040</td></tr> <tr><td>CH part name</td><td>中间齿轮</td></tr> <tr><td>EN part name</td><td>Intermed gear</td></tr> <tr><td>RU part name</td><td>Шестерня промежуточная распределительного вала</td></tr> <tr><td>Size:mm</td><td></td></tr> <tr><td>Weight:kg</td><td>1.96</td></tr> <tr><td>NO.</td><td><b>NO.16-6</b></td></tr> </table>	Part No.	612630030040	CH part name	中间齿轮	EN part name	Intermed gear	RU part name	Шестерня промежуточная распределительного вала	Size:mm		Weight:kg	1.96	NO.	<b>NO.16-6</b>
Part No.	612630030112																														
CH part name	惰轮挡板																														
EN part name	Idler baffle																														
RU part name	Неправильная перегородка																														
Size:mm																															
Weight:kg	0.21																														
NO.	<b>NO.16-5</b>																														
Part No.	612630030040																														
CH part name	中间齿轮																														
EN part name	Intermed gear																														
RU part name	Шестерня промежуточная распределительного вала																														
Size:mm																															
Weight:kg	1.96																														
NO.	<b>NO.16-6</b>																														
Remarks: weichai WP12		Remarks: weichai WP12																													








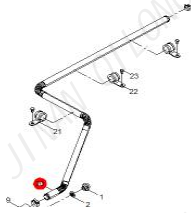
# SHACMAN(1)

	<table border="1"> <tr><td>Part No.</td><td>612630030126</td></tr> <tr><td>CH part name</td><td>止推片</td></tr> <tr><td>EN part name</td><td>Thrust piece</td></tr> <tr><td>RU part name</td><td>Упорная деталь</td></tr> <tr><td>Size:mm</td><td></td></tr> <tr><td>Weight:kg</td><td>0.02</td></tr> <tr><td>NO.</td><td><b>NO.16-7</b></td></tr> </table>	Part No.	612630030126	CH part name	止推片	EN part name	Thrust piece	RU part name	Упорная деталь	Size:mm		Weight:kg	0.02	NO.	<b>NO.16-7</b>		<table border="1"> <tr><td>Part No.</td><td>612630030125</td></tr> <tr><td>CH part name</td><td>中间齿轮轴</td></tr> <tr><td>EN part name</td><td>Gear shaft</td></tr> <tr><td>RU part name</td><td>вал переключения</td></tr> <tr><td>Size:mm</td><td></td></tr> <tr><td>Weight:kg</td><td>0.5</td></tr> <tr><td>NO.</td><td><b>NO.16-8</b></td></tr> </table>	Part No.	612630030125	CH part name	中间齿轮轴	EN part name	Gear shaft	RU part name	вал переключения	Size:mm		Weight:kg	0.5	NO.	<b>NO.16-8</b>
Part No.	612630030126																														
CH part name	止推片																														
EN part name	Thrust piece																														
RU part name	Упорная деталь																														
Size:mm																															
Weight:kg	0.02																														
NO.	<b>NO.16-7</b>																														
Part No.	612630030125																														
CH part name	中间齿轮轴																														
EN part name	Gear shaft																														
RU part name	вал переключения																														
Size:mm																															
Weight:kg	0.5																														
NO.	<b>NO.16-8</b>																														
Remarks: weichai WP12		Remarks: weichai WP12 612630030019																													
	<table border="1"> <tr><td>Part No.</td><td>612630030003</td></tr> <tr><td>CH part name</td><td>凸轮轴齿轮</td></tr> <tr><td>EN part name</td><td>Camshaft gear</td></tr> <tr><td>RU part name</td><td>передача</td></tr> <tr><td>Size:mm</td><td></td></tr> <tr><td>Weight:kg</td><td>1.95</td></tr> <tr><td>NO.</td><td><b>NO.16-10</b></td></tr> </table>	Part No.	612630030003	CH part name	凸轮轴齿轮	EN part name	Camshaft gear	RU part name	передача	Size:mm		Weight:kg	1.95	NO.	<b>NO.16-10</b>		<table border="1"> <tr><td>Part No.</td><td>612639000025S</td></tr> <tr><td>CH part name</td><td>六角头螺栓</td></tr> <tr><td>EN part name</td><td>Hex head bolt</td></tr> <tr><td>RU part name</td><td>Болт с шестигранной головкой</td></tr> <tr><td>Size:mm</td><td></td></tr> <tr><td>Weight:kg</td><td>0.12</td></tr> <tr><td>NO.</td><td><b>NO.16-9</b></td></tr> </table>	Part No.	612639000025S	CH part name	六角头螺栓	EN part name	Hex head bolt	RU part name	Болт с шестигранной головкой	Size:mm		Weight:kg	0.12	NO.	<b>NO.16-9</b>
Part No.	612630030003																														
CH part name	凸轮轴齿轮																														
EN part name	Camshaft gear																														
RU part name	передача																														
Size:mm																															
Weight:kg	1.95																														
NO.	<b>NO.16-10</b>																														
Part No.	612639000025S																														
CH part name	六角头螺栓																														
EN part name	Hex head bolt																														
RU part name	Болт с шестигранной головкой																														
Size:mm																															
Weight:kg	0.12																														
NO.	<b>NO.16-9</b>																														
Remarks: weichai WP12		Remarks: weichai WP12																													
	<table border="1"> <tr><td>Part No.</td><td>612630170031</td></tr> <tr><td>CH part name</td><td>润滑油管总成</td></tr> <tr><td>EN part name</td><td>Lube tube</td></tr> <tr><td>RU part name</td><td>Трубка для смазки</td></tr> <tr><td>Size:mm</td><td></td></tr> <tr><td>Weight:kg</td><td>0.12</td></tr> <tr><td>NO.</td><td><b>NO.16-15</b></td></tr> </table>	Part No.	612630170031	CH part name	润滑油管总成	EN part name	Lube tube	RU part name	Трубка для смазки	Size:mm		Weight:kg	0.12	NO.	<b>NO.16-15</b>		<table border="1"> <tr><td>Part No.</td><td>612630170000</td></tr> <tr><td>CH part name</td><td>E3后取力器总成</td></tr> <tr><td>EN part name</td><td>Rear PTO assembly</td></tr> <tr><td>RU part name</td><td>Задний сборщик отбора мощности</td></tr> <tr><td>Size:mm</td><td></td></tr> <tr><td>Weight:kg</td><td>3.6</td></tr> <tr><td>NO.</td><td><b>NO.16-18</b></td></tr> </table>	Part No.	612630170000	CH part name	E3后取力器总成	EN part name	Rear PTO assembly	RU part name	Задний сборщик отбора мощности	Size:mm		Weight:kg	3.6	NO.	<b>NO.16-18</b>
Part No.	612630170031																														
CH part name	润滑油管总成																														
EN part name	Lube tube																														
RU part name	Трубка для смазки																														
Size:mm																															
Weight:kg	0.12																														
NO.	<b>NO.16-15</b>																														
Part No.	612630170000																														
CH part name	E3后取力器总成																														
EN part name	Rear PTO assembly																														
RU part name	Задний сборщик отбора мощности																														
Size:mm																															
Weight:kg	3.6																														
NO.	<b>NO.16-18</b>																														
Remarks: weichai WP12		Remarks: weichai WP12																													
	<table border="1"> <tr><td>Part No.</td><td>612600130777</td></tr> <tr><td>CH part name</td><td>空压机总成</td></tr> <tr><td>EN part name</td><td>Air compressor assy.</td></tr> <tr><td>RU part name</td><td>Топливопроводы в сборе</td></tr> <tr><td>Size:mm</td><td>350*240*180</td></tr> <tr><td>Weight:kg</td><td>13.4</td></tr> <tr><td>NO.</td><td><b>NO.17-10A</b></td></tr> </table>	Part No.	612600130777	CH part name	空压机总成	EN part name	Air compressor assy.	RU part name	Топливопроводы в сборе	Size:mm	350*240*180	Weight:kg	13.4	NO.	<b>NO.17-10A</b>		<table border="1"> <tr><td>Part No.</td><td>612600130616</td></tr> <tr><td>CH part name</td><td>空压机总成</td></tr> <tr><td>EN part name</td><td>Air compressor assy.</td></tr> <tr><td>RU part name</td><td>Топливопроводы в сборе</td></tr> <tr><td>Size:mm</td><td>350*240*180</td></tr> <tr><td>Weight:kg</td><td>13.4</td></tr> <tr><td>NO.</td><td><b>NO.17-10</b></td></tr> </table>	Part No.	612600130616	CH part name	空压机总成	EN part name	Air compressor assy.	RU part name	Топливопроводы в сборе	Size:mm	350*240*180	Weight:kg	13.4	NO.	<b>NO.17-10</b>
Part No.	612600130777																														
CH part name	空压机总成																														
EN part name	Air compressor assy.																														
RU part name	Топливопроводы в сборе																														
Size:mm	350*240*180																														
Weight:kg	13.4																														
NO.	<b>NO.17-10A</b>																														
Part No.	612600130616																														
CH part name	空压机总成																														
EN part name	Air compressor assy.																														
RU part name	Топливопроводы в сборе																														
Size:mm	350*240*180																														
Weight:kg	13.4																														
NO.	<b>NO.17-10</b>																														
Remarks: weichai WP10		Remarks: weichai WP618 WD12																													

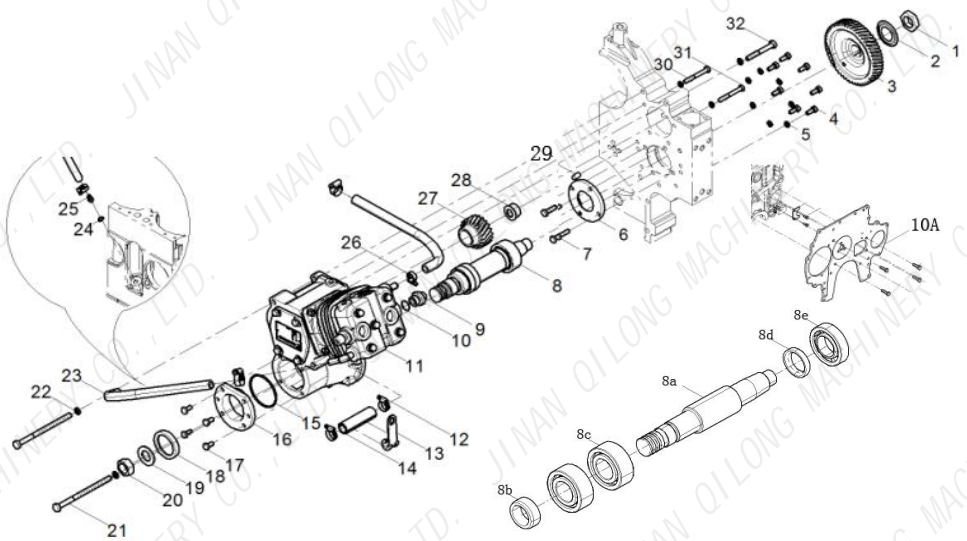
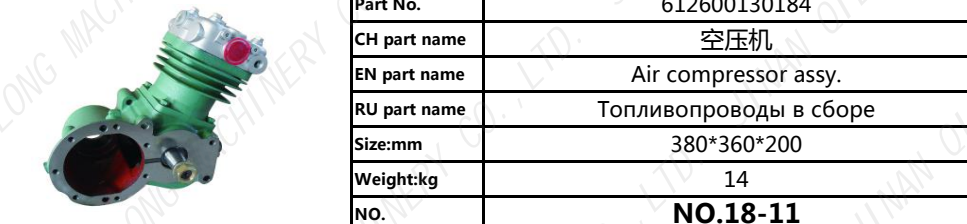

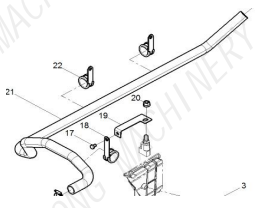


# SHACMAN(1)

Motion mechanism/Air compressor		NO.17	
	KD0233		
			
	Part No.	612600130033	
	CH part name	空压机出气接头	
	EN part name	Outlet connector	
	RU part name	штуцер	
	Size:mm		
	Weight:kg	0.11	
	NO.	<b>NO.17-20</b>	
	Remarks: weichai WP10		
KD0234			
			
Part No.	612600130333		
CH part name	空心螺栓		
EN part name	Hollow screw		
RU part name	и к черту		
Size:mm			
Weight:kg	0.1		
NO.	<b>NO.17-22-6</b>		
Remarks: weichai WP10 WD618 WD12			
KD0235			
	Part No.	612600080246	
	CH part name	密封垫圈	
	EN part name	Combination gasket	
	RU part name	сочетание уплотнительный прокладка	
	Size:mm		
	Weight:kg	0.001	
	NO.	<b>NO.17-23-7</b>	
	Remarks: weichai WP10 WD618 WD12		
KD0236			
			
Part No.	30800010003		
CH part name	密封圈		
EN part name	O type sealing ring		
RU part name	O - кольцо		
Size:mm			
Weight:kg	0.001		
NO.	<b>NO.17-24-9</b>		
Remarks: weichai WP10 WD618 WD12			
KD0237			
	Part No.	612600130326	
	CH part name	空压机润滑油管	
	EN part name	Oil pipe	
	RU part name	нефтяной трубе	
	Size:mm		
	Weight:kg	0.25	
	NO.	<b>NO.17-25</b>	
	Remarks: weichai WP10		
KD0238			
			
Part No.	612600130377		
CH part name	空压机润滑油管		
EN part name	Oil pipe		
RU part name	нефтяной трубе		
Size:mm			
Weight:kg	0.25		
NO.	<b>NO.17-8</b>		
Remarks: weichai WD618 WD12			

# SHACMAN(1)

	<p>Part No. 90003962627</p> <p>CH part name 空心螺栓</p> <p>EN part name Hollow screw</p> <p>RU part name и к черту</p> <p>Size:mm</p> <p>Weight:kg 0.1</p> <p>NO. <b>NO.17-26-2</b></p>		<p>Part No. 612600130759</p> <p>CH part name 空压机进水管总成</p> <p>EN part name Intake pipe assembly</p> <p>RU part name Всасывающий трубопровод</p> <p>Size:mm</p> <p>Weight:kg 0.21</p> <p>NO. <b>NO.17-28</b></p>
Remarks: weichai WP10 WD618 WD12		Remarks: weichai WP10	
	<p>Part No. 612600130788</p> <p>CH part name 空压机回水管总成</p> <p>EN part name Return pipe assembly</p> <p>RU part name Обратный трубопровод</p> <p>Size:mm</p> <p>Weight:kg 0.1</p> <p>NO. <b>NO.17-33</b></p>		<p>Part No. 612600130603</p> <p>CH part name 空压机进水管</p> <p>EN part name Intake pipe assembly</p> <p>RU part name Всасывающий трубопровод</p> <p>Size:mm</p> <p>Weight:kg 0.2</p> <p>NO. <b>NO.17-3</b></p>
Remarks: weichai WP10		Remarks: weichai WD618 WD12	
	<p>Part No. 612600130472</p> <p>CH part name 空压机回水管总成</p> <p>EN part name Return pipe assembly</p> <p>RU part name Обратный трубопровод</p> <p>Size:mm</p> <p>Weight:kg 0.15</p> <p>NO. <b>NO.17-14</b></p>		<p>Part No. 99100360161</p> <p>CH part name 接头体</p> <p>EN part name Connector body</p> <p>RU part name Корпус разъема</p> <p>Size:mm</p> <p>Weight:kg 0.21</p> <p>NO. <b>NO.17-34</b></p>
Remarks: weichai WD618 WD12		Remarks: weichai WP10	
	<p>Part No. 612600060021</p> <p>CH part name 回水管接头</p> <p>EN part name Return pipe connector</p> <p>RU part name Обратный трубопровод</p> <p>Size:mm</p> <p>Weight:kg 0.25</p> <p>NO. <b>NO.17-13</b></p>		<p>Part No. 612640030025</p> <p>CH part name 空压机进气管</p> <p>EN part name Air compressor intake pipe.</p> <p>RU part name Всасывающий патрубок компрессора</p> <p>Size:mm</p> <p>Weight:kg</p> <p>NO. <b>NO.17-38</b></p>
Remarks: weichai WD618 WD12		Remarks: weichai WP10	

# SHACMAN(1)

Motion mechanism/Air compressor		NO.18		
	KD0247			
	Part No.	612600112790		
	CH part name	气路连接胶管		
	EN part name	The gas path connects the hose.		
	RU part name	Газовод соединение рукав		
	Size:mm			
	Weight:kg	0.12		
	NO.	NO.17-16		
	Remarks: weichai WD618			
		KD0248		
Part No.		1000637330		
CH part name		气路连接胶管		
EN part name		The gas path connects the hose.		
RU part name		Газовод соединение рукав		
Size:mm				
Weight:kg		0.1		
NO.		NO.17-42		
Remarks: weichai WP10				
KD0249				
	Part No.	612600130184		
	CH part name	空压机		
	EN part name	Air compressor assy.		
	RU part name	Топливопроводы в сборе		
	Size:mm	380*360*200		
	Weight:kg	14		
	NO.	NO.18-11		
Remarks: weichai WD615				
KD0250				
	Part No.	612600130767		
	CH part name	气路连接胶管		
	EN part name	The gas path connects the hose.		
	RU part name	Газовод соединение рукав		
	Size:mm			
	Weight:kg	0.21		
	NO.	NO.17-16		
Remarks: weichai WD12				
KD0251				
	Part No.	AZ1560130064		
	CH part name	喷油泵齿轮		
	EN part name	Fuel injection pump gear		
	RU part name	Топливный насос колесо		
	Size:mm			
	Weight:kg	1.05		
	NO.	NO.18-3		
Remarks: weichai WD615				
KD0252				
	Part No.	61500080165		
	CH part name	空压机盖		
	EN part name	Air compressor cover		
	RU part name	Пустой пресс крышка		
	Size:mm			
	Weight:kg	0.67		
	NO.	NO.18-6		
Remarks: weichai WD615				



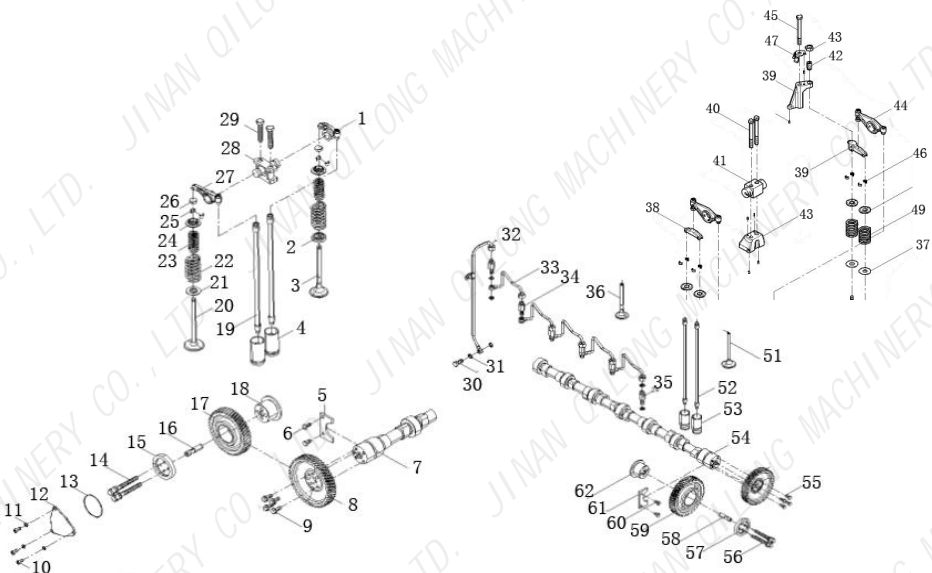






# SHACMAN(1)

KD0253			KD0254		
	Part No.	612600011777		Part No.	612600130122
	CH part name	端盖		CH part name	空压机传动轴
	EN part name	Cover		EN part name	Transmission shaft
	RU part name	Крышка		RU part name	передаточный вал
	Size:mm	450*400*80		Size:mm	
	Weight:kg	12		Weight:kg	1.5
	NO.	<b>NO.18-10A</b>		NO.	<b>NO.18-8a</b>
Remarks: weichai WD615			Remarks: weichai WD615		
KD0255			KD0256		
	Part No.	61500080158		Part No.	612600130047
	CH part name	双列圆柱滚子轴承		CH part name	衬套
	EN part name	Roller bearing		EN part name	bushing
	RU part name	роликовые подшипники		RU part name	втулка
	Size:mm			Size:mm	
	Weight:kg	0.22		Weight:kg	0.102
	NO.	<b>NO.18-8c</b>		NO.	<b>NO.18-8b</b>
Remarks: weichai WD615			Remarks: weichai WD615		
KD0257			KD0258		
	Part No.	612600130123		Part No.	90003320154
	CH part name	压紧块		CH part name	滚柱轴承
	EN part name	Compacting block		EN part name	Roller bearing
	RU part name	упаковка блок		RU part name	роликовые подшипники
	Size:mm			Size:mm	
	Weight:kg	0.11		Weight:kg	0.23
	NO.	<b>NO.18-8d</b>		NO.	<b>NO.18-8e</b>
Remarks: weichai WD615			Remarks: weichai WD615		
KD0259			KD0260		
	Part No.	612600130173		Part No.	61500130097
	CH part name	空气压缩机齿轮		CH part name	油封座
	EN part name	air compressor gear		EN part name	Oil seal seat
	RU part name	воздушный компрессор лова		RU part name	сальник
	Size:mm			Size:mm	
	Weight:kg	0.55		Weight:kg	0.68
	NO.	<b>NO.18-27</b>		NO.	<b>NO.18-16</b>
Remarks: weichai WD615			Remarks: weichai WD615		

# SHACMAN(1)

	<table border="1"> <tr><td>Part No.</td><td>90003070092</td></tr> <tr><td>CH part name</td><td>油封</td></tr> <tr><td>EN part name</td><td>oil seal</td></tr> <tr><td>RU part name</td><td>сальник</td></tr> <tr><td>Size:mm</td><td></td></tr> <tr><td>Weight:kg</td><td>0.03</td></tr> <tr><td>NO.</td><td><b>NO.18-18</b></td></tr> </table>	Part No.	90003070092	CH part name	油封	EN part name	oil seal	RU part name	сальник	Size:mm		Weight:kg	0.03	NO.	<b>NO.18-18</b>		<table border="1"> <tr><td>Part No.</td><td>612600130073</td></tr> <tr><td>CH part name</td><td>挡油盘</td></tr> <tr><td>EN part name</td><td>Oil baffle</td></tr> <tr><td>RU part name</td><td>маслоотражатель</td></tr> <tr><td>Size:mm</td><td></td></tr> <tr><td>Weight:kg</td><td>0.02</td></tr> <tr><td>NO.</td><td><b>NO.18-19</b></td></tr> </table>	Part No.	612600130073	CH part name	挡油盘	EN part name	Oil baffle	RU part name	маслоотражатель	Size:mm		Weight:kg	0.02	NO.	<b>NO.18-19</b>
Part No.	90003070092																														
CH part name	油封																														
EN part name	oil seal																														
RU part name	сальник																														
Size:mm																															
Weight:kg	0.03																														
NO.	<b>NO.18-18</b>																														
Part No.	612600130073																														
CH part name	挡油盘																														
EN part name	Oil baffle																														
RU part name	маслоотражатель																														
Size:mm																															
Weight:kg	0.02																														
NO.	<b>NO.18-19</b>																														
Remarks: weichai WD615		Remarks: weichai WD615																													
	<table border="1"> <tr><td>Part No.</td><td>612600130027</td></tr> <tr><td>CH part name</td><td>冷却液连接胶管</td></tr> <tr><td>EN part name</td><td>Connecting Rubber Pipe</td></tr> <tr><td>RU part name</td><td>соединительный шланг</td></tr> <tr><td>Size:mm</td><td></td></tr> <tr><td>Weight:kg</td><td>0.1</td></tr> <tr><td>NO.</td><td><b>NO.18-23</b></td></tr> </table>	Part No.	612600130027	CH part name	冷却液连接胶管	EN part name	Connecting Rubber Pipe	RU part name	соединительный шланг	Size:mm		Weight:kg	0.1	NO.	<b>NO.18-23</b>		<table border="1"> <tr><td>Part No.</td><td>612600050178</td></tr> <tr><td>CH part name</td><td>排气门摇臂总成</td></tr> <tr><td>EN part name</td><td>Euro II exhaust valve rocker arm</td></tr> <tr><td>RU part name</td><td>Коромысло выпускного клапана</td></tr> <tr><td>Size:mm</td><td>87*24*45</td></tr> <tr><td>Weight:kg</td><td>0.25</td></tr> <tr><td>NO.</td><td><b>NO.19-1</b></td></tr> </table>	Part No.	612600050178	CH part name	排气门摇臂总成	EN part name	Euro II exhaust valve rocker arm	RU part name	Коромысло выпускного клапана	Size:mm	87*24*45	Weight:kg	0.25	NO.	<b>NO.19-1</b>
Part No.	612600130027																														
CH part name	冷却液连接胶管																														
EN part name	Connecting Rubber Pipe																														
RU part name	соединительный шланг																														
Size:mm																															
Weight:kg	0.1																														
NO.	<b>NO.18-23</b>																														
Part No.	612600050178																														
CH part name	排气门摇臂总成																														
EN part name	Euro II exhaust valve rocker arm																														
RU part name	Коромысло выпускного клапана																														
Size:mm	87*24*45																														
Weight:kg	0.25																														
NO.	<b>NO.19-1</b>																														
Remarks: weichai WD615		Remarks: weichai WD618 WD615																													
	<table border="1"> <tr><td>Part No.</td><td>612600050179</td></tr> <tr><td>CH part name</td><td>排气门摇臂EVB</td></tr> <tr><td>EN part name</td><td>Euro II exhaust valve rocker arm</td></tr> <tr><td>RU part name</td><td>Коромысло выпускного клапана</td></tr> <tr><td>Size:mm</td><td>87*24*45</td></tr> <tr><td>Weight:kg</td><td>0.18</td></tr> <tr><td>NO.</td><td><b>NO.19-1</b></td></tr> </table>	Part No.	612600050179	CH part name	排气门摇臂EVB	EN part name	Euro II exhaust valve rocker arm	RU part name	Коромысло выпускного клапана	Size:mm	87*24*45	Weight:kg	0.18	NO.	<b>NO.19-1</b>		<table border="1"> <tr><td>Part No.</td><td>612600050059</td></tr> <tr><td>CH part name</td><td>排气门摇臂</td></tr> <tr><td>EN part name</td><td>Euro II exhaust valve rocker arm</td></tr> <tr><td>RU part name</td><td>Коромысло выпускного клапана</td></tr> <tr><td>Size:mm</td><td></td></tr> <tr><td>Weight:kg</td><td></td></tr> <tr><td>NO.</td><td><b>NO.19-1</b></td></tr> </table>	Part No.	612600050059	CH part name	排气门摇臂	EN part name	Euro II exhaust valve rocker arm	RU part name	Коромысло выпускного клапана	Size:mm		Weight:kg		NO.	<b>NO.19-1</b>
Part No.	612600050179																														
CH part name	排气门摇臂EVB																														
EN part name	Euro II exhaust valve rocker arm																														
RU part name	Коромысло выпускного клапана																														
Size:mm	87*24*45																														
Weight:kg	0.18																														
NO.	<b>NO.19-1</b>																														
Part No.	612600050059																														
CH part name	排气门摇臂																														
EN part name	Euro II exhaust valve rocker arm																														
RU part name	Коромысло выпускного клапана																														
Size:mm																															
Weight:kg																															
NO.	<b>NO.19-1</b>																														
Remarks: weichai WD12 WP10		Remarks: weichai WP10 WD12																													
	<table border="1"> <tr><td>Part No.</td><td>612630050062</td></tr> <tr><td>CH part name</td><td>摇臂总成</td></tr> <tr><td>EN part name</td><td>rocker arm</td></tr> <tr><td>RU part name</td><td>рокер</td></tr> <tr><td>Size:mm</td><td></td></tr> <tr><td>Weight:kg</td><td>0.25</td></tr> <tr><td>NO.</td><td><b>NO.19-1</b></td></tr> </table>	Part No.	612630050062	CH part name	摇臂总成	EN part name	rocker arm	RU part name	рокер	Size:mm		Weight:kg	0.25	NO.	<b>NO.19-1</b>		<table border="1"> <tr><td>Part No.</td><td>614050048</td></tr> <tr><td>CH part name</td><td>进气门摇臂</td></tr> <tr><td>EN part name</td><td>Euro exhaust valve rocker arm</td></tr> <tr><td>RU part name</td><td>Коромысло выпускного клапана</td></tr> <tr><td>Size:mm</td><td>116*40*24</td></tr> <tr><td>Weight:kg</td><td>0.24</td></tr> <tr><td>NO.</td><td><b>NO.19-27</b></td></tr> </table>	Part No.	614050048	CH part name	进气门摇臂	EN part name	Euro exhaust valve rocker arm	RU part name	Коромысло выпускного клапана	Size:mm	116*40*24	Weight:kg	0.24	NO.	<b>NO.19-27</b>
Part No.	612630050062																														
CH part name	摇臂总成																														
EN part name	rocker arm																														
RU part name	рокер																														
Size:mm																															
Weight:kg	0.25																														
NO.	<b>NO.19-1</b>																														
Part No.	614050048																														
CH part name	进气门摇臂																														
EN part name	Euro exhaust valve rocker arm																														
RU part name	Коромысло выпускного клапана																														
Size:mm	116*40*24																														
Weight:kg	0.24																														
NO.	<b>NO.19-27</b>																														
Remarks: weichai WP12 612630050016		Remarks: weichai WP10																													

# SHACMAN(1)

Gas distribution mechanism		NO.19	
		KD0269	
			
		Part No.	612600050177
		CH part name	进气门摇臂总成
		EN part name	Euro exhaust valve rocker arm
		RU part name	Коромысло выпускного клапана
		Size:mm	
		Weight:kg	0.24
		NO.	<b>NO.19-27</b>
		Remarks: weichai WD615 WD618 WD12 WP10	
		KD0270	
			
		Part No.	61500040014
		CH part name	排气门弹簧下座
		EN part name	Spring base
		RU part name	пружины сиденья
		Size:mm	43*43*8
		Weight:kg	0.07
		NO.	<b>NO.19-2</b>
		Remarks: weichai WD615 WD12 WD618 WP10	
KD0271		KD0272	
			
Part No.	612630050019	Part No.	612600050025
CH part name	气门弹簧下座	CH part name	排气门
EN part name	Valve spring seat	EN part name	Exhaust valve
RU part name	Пружинное сиденье клапана	RU part name	Клапан выпускной
Size:mm		Size:mm	154*49.8
Weight:kg	0.07	Weight:kg	0.25
NO.	<b>NO.19-37</b>	NO.	<b>NO.19-3</b>
Remarks: weichai WP12		Remarks: weichai WD615 WD12 WD618 WP10	
KD0273		KD0274	
			
Part No.	612630050002	Part No.	61500050032
CH part name	排气门	CH part name	气门挺柱
EN part name	Exhaust valve	EN part name	Push rod
RU part name	Клапан выпускной	RU part name	Направляющий толкатель
Size:mm	154*49.8	Size:mm	72*38*38
Weight:kg	0.25	Weight:kg	0.27
NO.	<b>NO.19-36</b>	NO.	<b>NO.19-4</b>
Remarks: weichai WP12		Remarks: weichai WD615 WD12 WD618 WP10	









# SHACMAN(1)

	<table border="1"> <tr><td>Part No.</td><td>614050133</td></tr> <tr><td>CH part name</td><td>凸轮轴止推片</td></tr> <tr><td>EN part name</td><td>Stop shim</td></tr> <tr><td>RU part name</td><td>Кольцо стопорное кулачкового вала</td></tr> <tr><td>Size:mm</td><td>80*46*6</td></tr> <tr><td>Weight:kg</td><td>0.11</td></tr> <tr><td>NO.</td><td><b>NO.19-5</b></td></tr> </table>	Part No.	614050133	CH part name	凸轮轴止推片	EN part name	Stop shim	RU part name	Кольцо стопорное кулачкового вала	Size:mm	80*46*6	Weight:kg	0.11	NO.	<b>NO.19-5</b>		<table border="1"> <tr><td>Part No.</td><td>612630050007</td></tr> <tr><td>CH part name</td><td>气门挺柱</td></tr> <tr><td>EN part name</td><td>Push rod</td></tr> <tr><td>RU part name</td><td>Направляющий толкатель</td></tr> <tr><td>Size:mm</td><td></td></tr> <tr><td>Weight:kg</td><td>0.275</td></tr> <tr><td>NO.</td><td><b>NO.19-53</b></td></tr> </table>	Part No.	612630050007	CH part name	气门挺柱	EN part name	Push rod	RU part name	Направляющий толкатель	Size:mm		Weight:kg	0.275	NO.	<b>NO.19-53</b>
Part No.	614050133																														
CH part name	凸轮轴止推片																														
EN part name	Stop shim																														
RU part name	Кольцо стопорное кулачкового вала																														
Size:mm	80*46*6																														
Weight:kg	0.11																														
NO.	<b>NO.19-5</b>																														
Part No.	612630050007																														
CH part name	气门挺柱																														
EN part name	Push rod																														
RU part name	Направляющий толкатель																														
Size:mm																															
Weight:kg	0.275																														
NO.	<b>NO.19-53</b>																														
Remarks: weichai WD615 WD12 WD618 WP10		Remarks: weichai WP12																													
	<table border="1"> <tr><td>Part No.</td><td>612600050085</td></tr> <tr><td>CH part name</td><td>凸轮轴</td></tr> <tr><td>EN part name</td><td>Camshaft</td></tr> <tr><td>RU part name</td><td>Распределительный вал</td></tr> <tr><td>Size:mm</td><td>980*70</td></tr> <tr><td>Weight:kg</td><td>12</td></tr> <tr><td>NO.</td><td><b>NO.19-7</b></td></tr> </table>	Part No.	612600050085	CH part name	凸轮轴	EN part name	Camshaft	RU part name	Распределительный вал	Size:mm	980*70	Weight:kg	12	NO.	<b>NO.19-7</b>		<table border="1"> <tr><td>Part No.</td><td>612600050087</td></tr> <tr><td>CH part name</td><td>凸轮轴</td></tr> <tr><td>EN part name</td><td>Camshaft</td></tr> <tr><td>RU part name</td><td>Распределительный вал</td></tr> <tr><td>Size:mm</td><td>980*70</td></tr> <tr><td>Weight:kg</td><td>12</td></tr> <tr><td>NO.</td><td><b>NO.19-7</b></td></tr> </table>	Part No.	612600050087	CH part name	凸轮轴	EN part name	Camshaft	RU part name	Распределительный вал	Size:mm	980*70	Weight:kg	12	NO.	<b>NO.19-7</b>
Part No.	612600050085																														
CH part name	凸轮轴																														
EN part name	Camshaft																														
RU part name	Распределительный вал																														
Size:mm	980*70																														
Weight:kg	12																														
NO.	<b>NO.19-7</b>																														
Part No.	612600050087																														
CH part name	凸轮轴																														
EN part name	Camshaft																														
RU part name	Распределительный вал																														
Size:mm	980*70																														
Weight:kg	12																														
NO.	<b>NO.19-7</b>																														
Remarks: weichai WD615		Remarks: weichai WD12 WD618 WP10																													
	<table border="1"> <tr><td>Part No.</td><td>612630050061</td></tr> <tr><td>CH part name</td><td>凸轮轴</td></tr> <tr><td>EN part name</td><td>Camshaft</td></tr> <tr><td>RU part name</td><td>Распределительный вал</td></tr> <tr><td>Size:mm</td><td>980*70</td></tr> <tr><td>Weight:kg</td><td>12</td></tr> <tr><td>NO.</td><td><b>NO.19-54</b></td></tr> </table>	Part No.	612630050061	CH part name	凸轮轴	EN part name	Camshaft	RU part name	Распределительный вал	Size:mm	980*70	Weight:kg	12	NO.	<b>NO.19-54</b>		<table border="1"> <tr><td>Part No.</td><td>614050053</td></tr> <tr><td>CH part name</td><td>凸轮轴齿轮</td></tr> <tr><td>EN part name</td><td>Camshaft gear</td></tr> <tr><td>RU part name</td><td>передача</td></tr> <tr><td>Size:mm</td><td>140*140*40</td></tr> <tr><td>Weight:kg</td><td>1.95</td></tr> <tr><td>NO.</td><td><b>NO.19-8</b></td></tr> </table>	Part No.	614050053	CH part name	凸轮轴齿轮	EN part name	Camshaft gear	RU part name	передача	Size:mm	140*140*40	Weight:kg	1.95	NO.	<b>NO.19-8</b>
Part No.	612630050061																														
CH part name	凸轮轴																														
EN part name	Camshaft																														
RU part name	Распределительный вал																														
Size:mm	980*70																														
Weight:kg	12																														
NO.	<b>NO.19-54</b>																														
Part No.	614050053																														
CH part name	凸轮轴齿轮																														
EN part name	Camshaft gear																														
RU part name	передача																														
Size:mm	140*140*40																														
Weight:kg	1.95																														
NO.	<b>NO.19-8</b>																														
Remarks: weichai WP12		Remarks: weichai WD615 WP10																													
	<table border="1"> <tr><td>Part No.</td><td>61560050046A</td></tr> <tr><td>CH part name</td><td>盖板</td></tr> <tr><td>EN part name</td><td>Cover plate</td></tr> <tr><td>RU part name</td><td>накладка</td></tr> <tr><td>Size:mm</td><td></td></tr> <tr><td>Weight:kg</td><td>0.1</td></tr> <tr><td>NO.</td><td><b>NO.19-12</b></td></tr> </table>	Part No.	61560050046A	CH part name	盖板	EN part name	Cover plate	RU part name	накладка	Size:mm		Weight:kg	0.1	NO.	<b>NO.19-12</b>		<table border="1"> <tr><td>Part No.</td><td>61800050144</td></tr> <tr><td>CH part name</td><td>凸轮轴齿轮</td></tr> <tr><td>EN part name</td><td>Camshaft gear</td></tr> <tr><td>RU part name</td><td>передача</td></tr> <tr><td>Size:mm</td><td></td></tr> <tr><td>Weight:kg</td><td>1.95</td></tr> <tr><td>NO.</td><td><b>NO.19-8</b></td></tr> </table>	Part No.	61800050144	CH part name	凸轮轴齿轮	EN part name	Camshaft gear	RU part name	передача	Size:mm		Weight:kg	1.95	NO.	<b>NO.19-8</b>
Part No.	61560050046A																														
CH part name	盖板																														
EN part name	Cover plate																														
RU part name	накладка																														
Size:mm																															
Weight:kg	0.1																														
NO.	<b>NO.19-12</b>																														
Part No.	61800050144																														
CH part name	凸轮轴齿轮																														
EN part name	Camshaft gear																														
RU part name	передача																														
Size:mm																															
Weight:kg	1.95																														
NO.	<b>NO.19-8</b>																														
Remarks: weichai WD615		Remarks: weichai WD12 WD618																													

# SHACMAN(1)

	<p>Part No. 90003813414S</p> <p>CH part name 双头螺柱</p> <p>EN part name Studs</p> <p>RU part name шпилька</p> <p>Size:mm</p> <p>Weight:kg 0.011</p> <p>NO. <b>NO.19-14</b></p>		<p>Part No. 61560050045</p> <p>CH part name 垫片</p> <p>EN part name shim</p> <p>RU part name прокладка</p> <p>Size:mm</p> <p>Weight:kg 0.11</p> <p>NO. <b>NO.19-15</b></p>
Remarks: weichai WD615		Remarks: weichai WD615 WD12 WD618 WP10	
	<p>Part No. 61560050053</p> <p>CH part name 中间齿轮</p> <p>EN part name Intermed gear</p> <p>RU part name Шестерня промежуточная распределительного вала</p> <p>Size:mm 140*140*40</p> <p>Weight:kg 1.95</p> <p>NO. <b>NO.19-17</b></p>		<p>Part No. 61560050044</p> <p>CH part name 中间齿轮轴</p> <p>EN part name Gear shaft</p> <p>RU part name вал переключения</p> <p>Size:mm</p> <p>Weight:kg 0.23</p> <p>NO. <b>NO.19-18</b></p>
Remarks: weichai WD615 WP10		Remarks: weichai WD615 WD12 WD618 WP10	
	<p>Part No. 61800050098</p> <p>CH part name 中间齿轮</p> <p>EN part name Intermed gear</p> <p>RU part name Шестерня промежуточная распределительного вала</p> <p>Size:mm</p> <p>Weight:kg 1.92</p> <p>NO. <b>NO.19-17</b></p>		<p>Part No. 612600050210</p> <p>CH part name 气门推杆</p> <p>EN part name Valve push rod</p> <p>RU part name Толкатель клапан</p> <p>Size:mm 450*16</p> <p>Weight:kg 0.22</p> <p>NO. <b>NO.19-19</b></p>
Remarks: weichai WD618 WD12		Remarks: weichai WD615	
	<p>Part No. 612600050214</p> <p>CH part name 气门推杆</p> <p>EN part name Valve push rod</p> <p>RU part name Толкатель клапан</p> <p>Size:mm</p> <p>Weight:kg 0.22</p> <p>NO. <b>NO.19-19</b></p>		<p>Part No. 612600050266</p> <p>CH part name 气门推杆</p> <p>EN part name Valve push rod</p> <p>RU part name Толкатель клапан</p> <p>Size:mm</p> <p>Weight:kg 0.22</p> <p>NO. <b>NO.19-19</b></p>
Remarks: weichai WD618		Remarks: weichai WD12	

# SHACMAN(1)

	<p>KD0291</p> <table border="1"> <tr><td>Part No.</td><td>612600050272</td></tr> <tr><td>CH part name</td><td>气门推杆</td></tr> <tr><td>EN part name</td><td>Valve push rod</td></tr> <tr><td>RU part name</td><td>Толкатель клапан</td></tr> <tr><td>Size:mm</td><td></td></tr> <tr><td>Weight:kg</td><td>0.22</td></tr> <tr><td>NO.</td><td><b>NO.19-19</b></td></tr> </table>	Part No.	612600050272	CH part name	气门推杆	EN part name	Valve push rod	RU part name	Толкатель клапан	Size:mm		Weight:kg	0.22	NO.	<b>NO.19-19</b>		<p>KD0292</p> <table border="1"> <tr><td>Part No.</td><td>612630050021</td></tr> <tr><td>CH part name</td><td>气门推杆</td></tr> <tr><td>EN part name</td><td>Valve push rod</td></tr> <tr><td>RU part name</td><td>Толкатель клапан</td></tr> <tr><td>Size:mm</td><td>448*16</td></tr> <tr><td>Weight:kg</td><td>0.22</td></tr> <tr><td>NO.</td><td><b>NO.19-52</b></td></tr> </table>	Part No.	612630050021	CH part name	气门推杆	EN part name	Valve push rod	RU part name	Толкатель клапан	Size:mm	448*16	Weight:kg	0.22	NO.	<b>NO.19-52</b>
Part No.	612600050272																														
CH part name	气门推杆																														
EN part name	Valve push rod																														
RU part name	Толкатель клапан																														
Size:mm																															
Weight:kg	0.22																														
NO.	<b>NO.19-19</b>																														
Part No.	612630050021																														
CH part name	气门推杆																														
EN part name	Valve push rod																														
RU part name	Толкатель клапан																														
Size:mm	448*16																														
Weight:kg	0.22																														
NO.	<b>NO.19-52</b>																														
Remarks: weichai WP10		Remarks: weichai WP12																													
	<p>KD0293</p> <table border="1"> <tr><td>Part No.</td><td>612600050073</td></tr> <tr><td>CH part name</td><td>进气门</td></tr> <tr><td>EN part name</td><td>Air intake valve</td></tr> <tr><td>RU part name</td><td>Клапан впускной</td></tr> <tr><td>Size:mm</td><td>154*54.5</td></tr> <tr><td>Weight:kg</td><td>0.288</td></tr> <tr><td>NO.</td><td><b>NO.19-20</b></td></tr> </table>	Part No.	612600050073	CH part name	进气门	EN part name	Air intake valve	RU part name	Клапан впускной	Size:mm	154*54.5	Weight:kg	0.288	NO.	<b>NO.19-20</b>		<p>KD0294</p> <table border="1"> <tr><td>Part No.</td><td>612630050001</td></tr> <tr><td>CH part name</td><td>进气门</td></tr> <tr><td>EN part name</td><td>Air intake valve</td></tr> <tr><td>RU part name</td><td>Клапан впускной</td></tr> <tr><td>Size:mm</td><td>154*49.8</td></tr> <tr><td>Weight:kg</td><td>0.151</td></tr> <tr><td>NO.</td><td><b>NO.19-51</b></td></tr> </table>	Part No.	612630050001	CH part name	进气门	EN part name	Air intake valve	RU part name	Клапан впускной	Size:mm	154*49.8	Weight:kg	0.151	NO.	<b>NO.19-51</b>
Part No.	612600050073																														
CH part name	进气门																														
EN part name	Air intake valve																														
RU part name	Клапан впускной																														
Size:mm	154*54.5																														
Weight:kg	0.288																														
NO.	<b>NO.19-20</b>																														
Part No.	612630050001																														
CH part name	进气门																														
EN part name	Air intake valve																														
RU part name	Клапан впускной																														
Size:mm	154*49.8																														
Weight:kg	0.151																														
NO.	<b>NO.19-51</b>																														
Remarks: weichai WD615 WD12 WD618 WP10		Remarks: weichai WP12																													
	<p>KD0295</p> <table border="1"> <tr><td>Part No.</td><td>614050017</td></tr> <tr><td>CH part name</td><td>进气门弹簧下座</td></tr> <tr><td>EN part name</td><td>Spring base</td></tr> <tr><td>RU part name</td><td>пружины сиденья</td></tr> <tr><td>Size:mm</td><td>43*43*8</td></tr> <tr><td>Weight:kg</td><td>0.07</td></tr> <tr><td>NO.</td><td><b>NO.19-50</b></td></tr> </table>	Part No.	614050017	CH part name	进气门弹簧下座	EN part name	Spring base	RU part name	пружины сиденья	Size:mm	43*43*8	Weight:kg	0.07	NO.	<b>NO.19-50</b>		<p>KD0296</p> <table border="1"> <tr><td>Part No.</td><td>61500050002</td></tr> <tr><td>CH part name</td><td>气门外弹簧</td></tr> <tr><td>EN part name</td><td>Outer valve spring</td></tr> <tr><td>RU part name</td><td>Пружина клапана</td></tr> <tr><td>Size:mm</td><td>60*40</td></tr> <tr><td>Weight:kg</td><td>0.05</td></tr> <tr><td>NO.</td><td><b>NO.19-22</b></td></tr> </table>	Part No.	61500050002	CH part name	气门外弹簧	EN part name	Outer valve spring	RU part name	Пружина клапана	Size:mm	60*40	Weight:kg	0.05	NO.	<b>NO.19-22</b>
Part No.	614050017																														
CH part name	进气门弹簧下座																														
EN part name	Spring base																														
RU part name	пружины сиденья																														
Size:mm	43*43*8																														
Weight:kg	0.07																														
NO.	<b>NO.19-50</b>																														
Part No.	61500050002																														
CH part name	气门外弹簧																														
EN part name	Outer valve spring																														
RU part name	Пружина клапана																														
Size:mm	60*40																														
Weight:kg	0.05																														
NO.	<b>NO.19-22</b>																														
Remarks: weichai WD615 WD618 WD12 WP10		Remarks: weichai WD615 WP10 WD618 WD12																													
	<p>KD0297</p> <table border="1"> <tr><td>Part No.</td><td>61500050001</td></tr> <tr><td>CH part name</td><td>气门内弹簧</td></tr> <tr><td>EN part name</td><td>Inner valve spring</td></tr> <tr><td>RU part name</td><td>Пружина клапана</td></tr> <tr><td>Size:mm</td><td>60*30</td></tr> <tr><td>Weight:kg</td><td>0.03</td></tr> <tr><td>NO.</td><td><b>NO.19-23</b></td></tr> </table>	Part No.	61500050001	CH part name	气门内弹簧	EN part name	Inner valve spring	RU part name	Пружина клапана	Size:mm	60*30	Weight:kg	0.03	NO.	<b>NO.19-23</b>		<p>KD0298</p> <table border="1"> <tr><td>Part No.</td><td>612630050005</td></tr> <tr><td>CH part name</td><td>气门弹簧</td></tr> <tr><td>EN part name</td><td>Valve spring</td></tr> <tr><td>RU part name</td><td>Пружина клапана</td></tr> <tr><td>Size:mm</td><td></td></tr> <tr><td>Weight:kg</td><td>0.05</td></tr> <tr><td>NO.</td><td><b>NO.19-49</b></td></tr> </table>	Part No.	612630050005	CH part name	气门弹簧	EN part name	Valve spring	RU part name	Пружина клапана	Size:mm		Weight:kg	0.05	NO.	<b>NO.19-49</b>
Part No.	61500050001																														
CH part name	气门内弹簧																														
EN part name	Inner valve spring																														
RU part name	Пружина клапана																														
Size:mm	60*30																														
Weight:kg	0.03																														
NO.	<b>NO.19-23</b>																														
Part No.	612630050005																														
CH part name	气门弹簧																														
EN part name	Valve spring																														
RU part name	Пружина клапана																														
Size:mm																															
Weight:kg	0.05																														
NO.	<b>NO.19-49</b>																														
Remarks: weichai WD615 WD618 WD12 WP10		Remarks: weichai WP12																													

# SHACMAN(1)

	<p>Part No. 61500050109            CH part name 气门弹簧上座            EN part name Spring base            RU part name пружины сиденья            Size:mm 43*43*8            Weight:kg 0.03            NO. <b>NO.19-24</b></p>		<p>Part No. 61500050025            CH part name 气门锁夹            EN part name Valve cone            RU part name Сухарь клапана            Size:mm 9*13*6            Weight:kg 0.01            NO. <b>NO.19-25</b></p>
Remarks: weichai WD615 WD618 WD12 WP10		Remarks: weichai WD615 WD618 WD12 WP10	
	<p>Part No. 61500050105            CH part name 气门帽            EN part name Air valve cap            RU part name Наконечник стержня клапана впускного/выпускного            Size:mm 20*20*8            Weight:kg 0.01            NO. <b>NO.19-26</b></p>		<p>Part No. 612630050015            CH part name 气门锁夹            EN part name Valve cone            RU part name Сухарь клапана            Size:mm 9*13*6            Weight:kg 0.01            NO. <b>NO.19-46</b></p>
Remarks: weichai WD615 WD618 WD12 WP10		Remarks: weichai WP12	
	<p>Part No. 614050119            CH part name 气门摇臂座            EN part name Valve rocker            RU part name клапанный блок            Size:mm            Weight:kg 0.85            NO. <b>NO.19-28</b></p>		<p>Part No. 612600050027            CH part name 气门摇臂座            EN part name Valve rocker            RU part name клапанный блок            Size:mm            Weight:kg 0.82            NO. <b>NO.19-28</b></p>
Remarks: weichai WD615 WD618 WD12		Remarks: weichai WP10	
	<p>Part No. 612630050013            CH part name 摇臂支架            EN part name Rocker arm support            RU part name рокер скобка            Size:mm            Weight:kg 0.56            NO. <b>NO.19-43</b></p>		<p>Part No. 612600050270            CH part name EVB支架总成            EN part name EVB bracket assembly            RU part name Комплект кронштейнов EVB            Size:mm            Weight:kg 0.52            NO. <b>NO.19-41</b></p>
Remarks: weichai WP12 WP10		Remarks: weichai WP10 612600050028 WD12	

# SHACMAN(1)

	<table border="1"> <tr><td>Part No.</td><td>612630050009</td></tr> <tr><td>CH part name</td><td>气门桥</td></tr> <tr><td>EN part name</td><td>valve bridge</td></tr> <tr><td>RU part name</td><td>клапан мост</td></tr> <tr><td>Size:mm</td><td></td></tr> <tr><td>Weight:kg</td><td>0.03</td></tr> <tr><td>NO.</td><td><b>NO.19-38</b></td></tr> </table>	Part No.	612630050009	CH part name	气门桥	EN part name	valve bridge	RU part name	клапан мост	Size:mm		Weight:kg	0.03	NO.	<b>NO.19-38</b>		<table border="1"> <tr><td>Part No.</td><td>612630050010</td></tr> <tr><td>CH part name</td><td>EVB支架</td></tr> <tr><td>EN part name</td><td>Bracket</td></tr> <tr><td>RU part name</td><td>кронштейн</td></tr> <tr><td>Size:mm</td><td></td></tr> <tr><td>Weight:kg</td><td>0.04</td></tr> <tr><td>NO.</td><td><b>NO.19-39</b></td></tr> </table>	Part No.	612630050010	CH part name	EVB支架	EN part name	Bracket	RU part name	кронштейн	Size:mm		Weight:kg	0.04	NO.	<b>NO.19-39</b>
Part No.	612630050009																														
CH part name	气门桥																														
EN part name	valve bridge																														
RU part name	клапан мост																														
Size:mm																															
Weight:kg	0.03																														
NO.	<b>NO.19-38</b>																														
Part No.	612630050010																														
CH part name	EVB支架																														
EN part name	Bracket																														
RU part name	кронштейн																														
Size:mm																															
Weight:kg	0.04																														
NO.	<b>NO.19-39</b>																														
Remarks: weichai WP12 WP10		Remarks: weichai WP12 WP10																													
	<table border="1"> <tr><td>Part No.</td><td>612630050008</td></tr> <tr><td>CH part name</td><td>EVB气门桥结合子组</td></tr> <tr><td>EN part name</td><td>valve bridge</td></tr> <tr><td>RU part name</td><td>клапан мост</td></tr> <tr><td>Size:mm</td><td></td></tr> <tr><td>Weight:kg</td><td>0.03</td></tr> <tr><td>NO.</td><td><b>NO.19-39</b></td></tr> </table>	Part No.	612630050008	CH part name	EVB气门桥结合子组	EN part name	valve bridge	RU part name	клапан мост	Size:mm		Weight:kg	0.03	NO.	<b>NO.19-39</b>		<table border="1"> <tr><td>Part No.</td><td>612630050011</td></tr> <tr><td>CH part name</td><td>EVB摇臂调整螺钉</td></tr> <tr><td>EN part name</td><td>EVB adjusting screw</td></tr> <tr><td>RU part name</td><td>винт регулировки EVB</td></tr> <tr><td>Size:mm</td><td></td></tr> <tr><td>Weight:kg</td><td>0.015</td></tr> <tr><td>NO.</td><td><b>NO.19-44</b></td></tr> </table>	Part No.	612630050011	CH part name	EVB摇臂调整螺钉	EN part name	EVB adjusting screw	RU part name	винт регулировки EVB	Size:mm		Weight:kg	0.015	NO.	<b>NO.19-44</b>
Part No.	612630050008																														
CH part name	EVB气门桥结合子组																														
EN part name	valve bridge																														
RU part name	клапан мост																														
Size:mm																															
Weight:kg	0.03																														
NO.	<b>NO.19-39</b>																														
Part No.	612630050011																														
CH part name	EVB摇臂调整螺钉																														
EN part name	EVB adjusting screw																														
RU part name	винт регулировки EVB																														
Size:mm																															
Weight:kg	0.015																														
NO.	<b>NO.19-44</b>																														
Remarks: weichai WP12 1000495068 WP10		Remarks: weichai WP12																													
	<table border="1"> <tr><td>Part No.</td><td>612600050038</td></tr> <tr><td>CH part name</td><td>调整螺栓</td></tr> <tr><td>EN part name</td><td>Bolt and nut</td></tr> <tr><td>RU part name</td><td>Гайка регулировочного винта клапана</td></tr> <tr><td>Size:mm</td><td>40*10*10</td></tr> <tr><td>Weight:kg</td><td>0.01</td></tr> <tr><td>NO.</td><td><b>NO.19-44</b></td></tr> </table>	Part No.	612600050038	CH part name	调整螺栓	EN part name	Bolt and nut	RU part name	Гайка регулировочного винта клапана	Size:mm	40*10*10	Weight:kg	0.01	NO.	<b>NO.19-44</b>		<table border="1"> <tr><td>Part No.</td><td>612630050030</td></tr> <tr><td>CH part name</td><td>摇臂轴</td></tr> <tr><td>EN part name</td><td>Rocker shaft</td></tr> <tr><td>RU part name</td><td>рокер вал</td></tr> <tr><td>Size:mm</td><td></td></tr> <tr><td>Weight:kg</td><td>0.12</td></tr> <tr><td>NO.</td><td><b>NO.19-41</b></td></tr> </table>	Part No.	612630050030	CH part name	摇臂轴	EN part name	Rocker shaft	RU part name	рокер вал	Size:mm		Weight:kg	0.12	NO.	<b>NO.19-41</b>
Part No.	612600050038																														
CH part name	调整螺栓																														
EN part name	Bolt and nut																														
RU part name	Гайка регулировочного винта клапана																														
Size:mm	40*10*10																														
Weight:kg	0.01																														
NO.	<b>NO.19-44</b>																														
Part No.	612630050030																														
CH part name	摇臂轴																														
EN part name	Rocker shaft																														
RU part name	рокер вал																														
Size:mm																															
Weight:kg	0.12																														
NO.	<b>NO.19-41</b>																														
Remarks: weichai WP12 612630050027 WP10		Remarks: weichai WP12 WP10																													
	<table border="1"> <tr><td>Part No.</td><td>614050010/2130050065</td></tr> <tr><td>CH part name</td><td>气门间隙调整螺栓</td></tr> <tr><td>EN part name</td><td>Bolt and nut</td></tr> <tr><td>RU part name</td><td>Гайка регулировочного винта клапана</td></tr> <tr><td>Size:mm</td><td>40*10*10</td></tr> <tr><td>Weight:kg</td><td>0.03</td></tr> <tr><td>NO.</td><td><b>NO.19-27</b></td></tr> </table>	Part No.	614050010/2130050065	CH part name	气门间隙调整螺栓	EN part name	Bolt and nut	RU part name	Гайка регулировочного винта клапана	Size:mm	40*10*10	Weight:kg	0.03	NO.	<b>NO.19-27</b>		<table border="1"> <tr><td>Part No.</td><td>612630060844</td></tr> <tr><td>CH part name</td><td>节温器</td></tr> <tr><td>EN part name</td><td>Thermostat</td></tr> <tr><td>RU part name</td><td>термостат устройства</td></tr> <tr><td>Size:mm</td><td></td></tr> <tr><td>Weight:kg</td><td>0.2</td></tr> <tr><td>NO.</td><td><b>NO.20-1</b></td></tr> </table>	Part No.	612630060844	CH part name	节温器	EN part name	Thermostat	RU part name	термостат устройства	Size:mm		Weight:kg	0.2	NO.	<b>NO.20-1</b>
Part No.	614050010/2130050065																														
CH part name	气门间隙调整螺栓																														
EN part name	Bolt and nut																														
RU part name	Гайка регулировочного винта клапана																														
Size:mm	40*10*10																														
Weight:kg	0.03																														
NO.	<b>NO.19-27</b>																														
Part No.	612630060844																														
CH part name	节温器																														
EN part name	Thermostat																														
RU part name	термостат устройства																														
Size:mm																															
Weight:kg	0.2																														
NO.	<b>NO.20-1</b>																														
Remarks: weichai WD615 WD618 WD12		Remarks: weichai WP12 612630061126																													



# SHACMAN(1)

Cooling system / Water Outlet Pipe Components		NO.20	
	KD0315		
		Part No.	61800061040
		CH part name	节温器
		EN part name	Thermostat
		RU part name	термостат устройства
		Size:mm	
		Weight:kg	0.2
	NO.	<b>NO.20-20</b>	
	Remarks: weichai WD12		
	KD0316		
	Part No.	612630060893	
	CH part name	节温器	
	EN part name	Thermostat	
	RU part name	термостат устройства	
	Size:mm		
	Weight:kg	0.2	
NO.	<b>NO.20-20</b>		
Remarks: weichai WP10			
KD0317			
	Part No.	61800060172	
	CH part name	节温器	
	EN part name	Thermostat	
	RU part name	термостат устройства	
	Size:mm		
	Weight:kg	0.2	
	NO.	<b>NO.20-20</b>	
Remarks: weichai WD618			
KD0318			
	Part No.	680340065	
	CH part name	节温器密封圈	
	EN part name	Seal ring	
	RU part name	уплотнительный кольцо	
	Size:mm		
	Weight:kg	0.01	
	NO.	<b>NO.20-21</b>	
Remarks: weichai WD618 WD12 WP10			
KD0319			
	Part No.	612600061730	
	CH part name	外置节温器	
	EN part name	Thermostat	
	RU part name	термостат устройства	
	Size:mm	180*135*100	
	Weight:kg	0.51	
	NO.	<b>NO.20-20a</b>	
Remarks: weichai WD615 WP10 614060135 61500060116			
KD0320			
	Part No.	612600160099	
	CH part name	节温器盖密封垫	
	EN part name	Sealing gasket	
	RU part name	уплотнительный прокладка	
	Size:mm		
	Weight:kg	0.011	
	NO.	<b>NO.20-19</b>	
Remarks: weichai WD12 WD618 WP10			

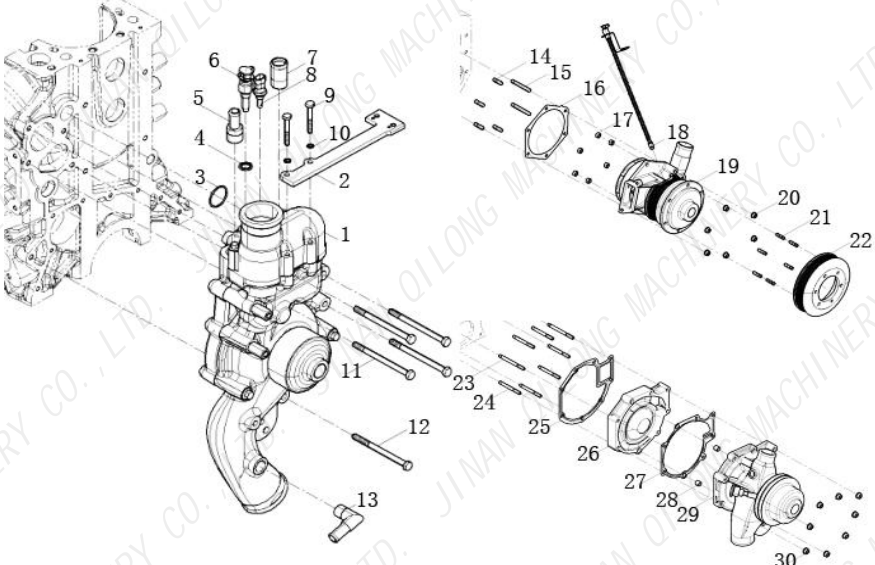






# SHACMAN(1)

	<table border="1"> <tr><td>Part No.</td><td>90003989308</td></tr> <tr><td>CH part name</td><td>节温器卡箍</td></tr> <tr><td>EN part name</td><td>Thermostat clamp.</td></tr> <tr><td>RU part name</td><td>Хомутик термостата</td></tr> <tr><td>Size:mm</td><td></td></tr> <tr><td>Weight:kg</td><td>0.05</td></tr> <tr><td>NO.</td><td><b>NO.20-1a</b></td></tr> </table>	Part No.	90003989308	CH part name	节温器卡箍	EN part name	Thermostat clamp.	RU part name	Хомутик термостата	Size:mm		Weight:kg	0.05	NO.	<b>NO.20-1a</b>		<table border="1"> <tr><td>Part No.</td><td>612600061883</td></tr> <tr><td>CH part name</td><td>节温器卡箍</td></tr> <tr><td>EN part name</td><td>Thermostat clamp.</td></tr> <tr><td>RU part name</td><td>Хомутик термостата</td></tr> <tr><td>Size:mm</td><td></td></tr> <tr><td>Weight:kg</td><td>0.06</td></tr> <tr><td>NO.</td><td><b>NO.20-14</b></td></tr> </table>	Part No.	612600061883	CH part name	节温器卡箍	EN part name	Thermostat clamp.	RU part name	Хомутик термостата	Size:mm		Weight:kg	0.06	NO.	<b>NO.20-14</b>
Part No.	90003989308																														
CH part name	节温器卡箍																														
EN part name	Thermostat clamp.																														
RU part name	Хомутик термостата																														
Size:mm																															
Weight:kg	0.05																														
NO.	<b>NO.20-1a</b>																														
Part No.	612600061883																														
CH part name	节温器卡箍																														
EN part name	Thermostat clamp.																														
RU part name	Хомутик термостата																														
Size:mm																															
Weight:kg	0.06																														
NO.	<b>NO.20-14</b>																														
Remarks: weichai WD615 WD618 WD12		Remarks: weichai WP10																													
	<table border="1"> <tr><td>Part No.</td><td>61800060157</td></tr> <tr><td>CH part name</td><td>冷却液连接胶管</td></tr> <tr><td>EN part name</td><td>Connecting Rubber Pipe</td></tr> <tr><td>RU part name</td><td>соединительный шланг</td></tr> <tr><td>Size:mm</td><td></td></tr> <tr><td>Weight:kg</td><td>0.21</td></tr> <tr><td>NO.</td><td><b>NO.20-8</b></td></tr> </table>	Part No.	61800060157	CH part name	冷却液连接胶管	EN part name	Connecting Rubber Pipe	RU part name	соединительный шланг	Size:mm		Weight:kg	0.21	NO.	<b>NO.20-8</b>		<table border="1"> <tr><td>Part No.</td><td>612600062156</td></tr> <tr><td>CH part name</td><td>冷却液连接胶管</td></tr> <tr><td>EN part name</td><td>Connecting Rubber Pipe</td></tr> <tr><td>RU part name</td><td>соединительный шланг</td></tr> <tr><td>Size:mm</td><td></td></tr> <tr><td>Weight:kg</td><td>0.2</td></tr> <tr><td>NO.</td><td><b>NO.20-8</b></td></tr> </table>	Part No.	612600062156	CH part name	冷却液连接胶管	EN part name	Connecting Rubber Pipe	RU part name	соединительный шланг	Size:mm		Weight:kg	0.2	NO.	<b>NO.20-8</b>
Part No.	61800060157																														
CH part name	冷却液连接胶管																														
EN part name	Connecting Rubber Pipe																														
RU part name	соединительный шланг																														
Size:mm																															
Weight:kg	0.21																														
NO.	<b>NO.20-8</b>																														
Part No.	612600062156																														
CH part name	冷却液连接胶管																														
EN part name	Connecting Rubber Pipe																														
RU part name	соединительный шланг																														
Size:mm																															
Weight:kg	0.2																														
NO.	<b>NO.20-8</b>																														
Remarks: weichai WD618 WD12		Remarks: weichai WP10																													
	<table border="1"> <tr><td>Part No.</td><td>612600061840</td></tr> <tr><td>CH part name</td><td>胶管</td></tr> <tr><td>EN part name</td><td>Connecting Rubber Pipe</td></tr> <tr><td>RU part name</td><td>соединительный шланг</td></tr> <tr><td>Size:mm</td><td></td></tr> <tr><td>Weight:kg</td><td>0.2</td></tr> <tr><td>NO.</td><td><b>NO.20-18a</b></td></tr> </table>	Part No.	612600061840	CH part name	胶管	EN part name	Connecting Rubber Pipe	RU part name	соединительный шланг	Size:mm		Weight:kg	0.2	NO.	<b>NO.20-18a</b>		<table border="1"> <tr><td>Part No.</td><td>612600060518</td></tr> <tr><td>CH part name</td><td>冷却液连接胶管</td></tr> <tr><td>EN part name</td><td>Connecting Rubber Pipe</td></tr> <tr><td>RU part name</td><td>соединительный шланг</td></tr> <tr><td>Size:mm</td><td></td></tr> <tr><td>Weight:kg</td><td>0.15</td></tr> <tr><td>NO.</td><td><b>NO.20-18b</b></td></tr> </table>	Part No.	612600060518	CH part name	冷却液连接胶管	EN part name	Connecting Rubber Pipe	RU part name	соединительный шланг	Size:mm		Weight:kg	0.15	NO.	<b>NO.20-18b</b>
Part No.	612600061840																														
CH part name	胶管																														
EN part name	Connecting Rubber Pipe																														
RU part name	соединительный шланг																														
Size:mm																															
Weight:kg	0.2																														
NO.	<b>NO.20-18a</b>																														
Part No.	612600060518																														
CH part name	冷却液连接胶管																														
EN part name	Connecting Rubber Pipe																														
RU part name	соединительный шланг																														
Size:mm																															
Weight:kg	0.15																														
NO.	<b>NO.20-18b</b>																														
Remarks: weichai WD615		Remarks: weichai WD615																													
	<table border="1"> <tr><td>Part No.</td><td>61800040074</td></tr> <tr><td>CH part name</td><td>出水管</td></tr> <tr><td>EN part name</td><td>Pipe</td></tr> <tr><td>RU part name</td><td>трубы</td></tr> <tr><td>Size:mm</td><td></td></tr> <tr><td>Weight:kg</td><td>3.32</td></tr> <tr><td>NO.</td><td><b>NO.20-24</b></td></tr> </table>	Part No.	61800040074	CH part name	出水管	EN part name	Pipe	RU part name	трубы	Size:mm		Weight:kg	3.32	NO.	<b>NO.20-24</b>		<table border="1"> <tr><td>Part No.</td><td>612640060196</td></tr> <tr><td>CH part name</td><td>出水管</td></tr> <tr><td>EN part name</td><td>Pipe</td></tr> <tr><td>RU part name</td><td>трубы</td></tr> <tr><td>Size:mm</td><td></td></tr> <tr><td>Weight:kg</td><td>3.32</td></tr> <tr><td>NO.</td><td><b>NO.20-24</b></td></tr> </table>	Part No.	612640060196	CH part name	出水管	EN part name	Pipe	RU part name	трубы	Size:mm		Weight:kg	3.32	NO.	<b>NO.20-24</b>
Part No.	61800040074																														
CH part name	出水管																														
EN part name	Pipe																														
RU part name	трубы																														
Size:mm																															
Weight:kg	3.32																														
NO.	<b>NO.20-24</b>																														
Part No.	612640060196																														
CH part name	出水管																														
EN part name	Pipe																														
RU part name	трубы																														
Size:mm																															
Weight:kg	3.32																														
NO.	<b>NO.20-24</b>																														
Remarks: weichai WD618 WD12		Remarks: weichai WP10																													


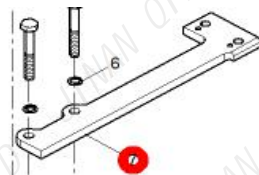






# SHACMAN(1)

	<p>KD0329</p> <table border="1"> <tr><td>Part No.</td><td>61500040102</td></tr> <tr><td>CH part name</td><td>出水管</td></tr> <tr><td>EN part name</td><td>Pipe</td></tr> <tr><td>RU part name</td><td>трубы</td></tr> <tr><td>Size:mm</td><td>925*200*70</td></tr> <tr><td>Weight:kg</td><td>3.3</td></tr> <tr><td>NO.</td><td><b>NO.20-24</b></td></tr> </table>	Part No.	61500040102	CH part name	出水管	EN part name	Pipe	RU part name	трубы	Size:mm	925*200*70	Weight:kg	3.3	NO.	<b>NO.20-24</b>		<p>KD0330</p> <table border="1"> <tr><td>Part No.</td><td>612630040138</td></tr> <tr><td>CH part name</td><td>放气管总成</td></tr> <tr><td>EN part name</td><td>Deflation tube assembly</td></tr> <tr><td>RU part name</td><td>выпускной трубы</td></tr> <tr><td>Size:mm</td><td></td></tr> <tr><td>Weight:kg</td><td></td></tr> <tr><td>NO.</td><td><b>NO.20-3</b></td></tr> </table>	Part No.	612630040138	CH part name	放气管总成	EN part name	Deflation tube assembly	RU part name	выпускной трубы	Size:mm		Weight:kg		NO.	<b>NO.20-3</b>
Part No.	61500040102																														
CH part name	出水管																														
EN part name	Pipe																														
RU part name	трубы																														
Size:mm	925*200*70																														
Weight:kg	3.3																														
NO.	<b>NO.20-24</b>																														
Part No.	612630040138																														
CH part name	放气管总成																														
EN part name	Deflation tube assembly																														
RU part name	выпускной трубы																														
Size:mm																															
Weight:kg																															
NO.	<b>NO.20-3</b>																														
Remarks: weichai WD615		Remarks: weichai WP12																													
	<p>KD0331</p> <table border="1"> <tr><td>Part No.</td><td>614090067</td></tr> <tr><td>CH part name</td><td>水温传感器</td></tr> <tr><td>EN part name</td><td>Temperature transmitter</td></tr> <tr><td>RU part name</td><td>Датчик температуры воды</td></tr> <tr><td>Size:mm</td><td>80*18*18</td></tr> <tr><td>Weight:kg</td><td>0.057</td></tr> <tr><td>NO.</td><td><b>NO.20-24</b></td></tr> </table>	Part No.	614090067	CH part name	水温传感器	EN part name	Temperature transmitter	RU part name	Датчик температуры воды	Size:mm	80*18*18	Weight:kg	0.057	NO.	<b>NO.20-24</b>		<p>KD0332</p> <table border="1"> <tr><td>Part No.</td><td>612600090985</td></tr> <tr><td>CH part name</td><td>温度传感器</td></tr> <tr><td>EN part name</td><td>Temperature transmitter</td></tr> <tr><td>RU part name</td><td>Датчик температуры воды</td></tr> <tr><td>Size:mm</td><td></td></tr> <tr><td>Weight:kg</td><td>0.11</td></tr> <tr><td>NO.</td><td><b>NO.20-24</b></td></tr> </table>	Part No.	612600090985	CH part name	温度传感器	EN part name	Temperature transmitter	RU part name	Датчик температуры воды	Size:mm		Weight:kg	0.11	NO.	<b>NO.20-24</b>
Part No.	614090067																														
CH part name	水温传感器																														
EN part name	Temperature transmitter																														
RU part name	Датчик температуры воды																														
Size:mm	80*18*18																														
Weight:kg	0.057																														
NO.	<b>NO.20-24</b>																														
Part No.	612600090985																														
CH part name	温度传感器																														
EN part name	Temperature transmitter																														
RU part name	Датчик температуры воды																														
Size:mm																															
Weight:kg	0.11																														
NO.	<b>NO.20-24</b>																														
Remarks: weichai WD615		Remarks: weichai WP10																													
	<p>KD0333</p> <table border="1"> <tr><td>Part No.</td><td>612600090672</td></tr> <tr><td>CH part name</td><td>温度传感器</td></tr> <tr><td>EN part name</td><td>Temperature transmitter</td></tr> <tr><td>RU part name</td><td>Датчик температуры воды</td></tr> <tr><td>Size:mm</td><td>80*15*15</td></tr> <tr><td>Weight:kg</td><td>0.05</td></tr> <tr><td>NO.</td><td><b>NO.20-24</b></td></tr> </table>	Part No.	612600090672	CH part name	温度传感器	EN part name	Temperature transmitter	RU part name	Датчик температуры воды	Size:mm	80*15*15	Weight:kg	0.05	NO.	<b>NO.20-24</b>		<p>KD0334</p> <table border="1"> <tr><td>Part No.</td><td>61800040075</td></tr> <tr><td>CH part name</td><td>节温器盖</td></tr> <tr><td>EN part name</td><td>Thermostat cover</td></tr> <tr><td>RU part name</td><td>Крышка задняя термостата</td></tr> <tr><td>Size:mm</td><td></td></tr> <tr><td>Weight:kg</td><td></td></tr> <tr><td>NO.</td><td><b>NO.20-22</b></td></tr> </table>	Part No.	61800040075	CH part name	节温器盖	EN part name	Thermostat cover	RU part name	Крышка задняя термостата	Size:mm		Weight:kg		NO.	<b>NO.20-22</b>
Part No.	612600090672																														
CH part name	温度传感器																														
EN part name	Temperature transmitter																														
RU part name	Датчик температуры воды																														
Size:mm	80*15*15																														
Weight:kg	0.05																														
NO.	<b>NO.20-24</b>																														
Part No.	61800040075																														
CH part name	节温器盖																														
EN part name	Thermostat cover																														
RU part name	Крышка задняя термостата																														
Size:mm																															
Weight:kg																															
NO.	<b>NO.20-22</b>																														
Remarks: weichai WD618 WD12		Remarks: weichai WP10 WD618 WD12																													
	<p>KD0335</p> <table border="1"> <tr><td>Part No.</td><td>612650060006</td></tr> <tr><td>CH part name</td><td>出水管垫</td></tr> <tr><td>EN part name</td><td>Outlet pads</td></tr> <tr><td>RU part name</td><td>прокладка</td></tr> <tr><td>Size:mm</td><td></td></tr> <tr><td>Weight:kg</td><td>0.01</td></tr> <tr><td>NO.</td><td><b>NO.20-6</b></td></tr> </table>	Part No.	612650060006	CH part name	出水管垫	EN part name	Outlet pads	RU part name	прокладка	Size:mm		Weight:kg	0.01	NO.	<b>NO.20-6</b>		<p>KD0336</p> <table border="1"> <tr><td>Part No.</td><td>612600080200</td></tr> <tr><td>CH part name</td><td>密封垫圈</td></tr> <tr><td>EN part name</td><td>Gasket</td></tr> <tr><td>RU part name</td><td>набивка</td></tr> <tr><td>Size:mm</td><td></td></tr> <tr><td>Weight:kg</td><td>0.01</td></tr> <tr><td>NO.</td><td><b>NO.20-17</b></td></tr> </table>	Part No.	612600080200	CH part name	密封垫圈	EN part name	Gasket	RU part name	набивка	Size:mm		Weight:kg	0.01	NO.	<b>NO.20-17</b>
Part No.	612650060006																														
CH part name	出水管垫																														
EN part name	Outlet pads																														
RU part name	прокладка																														
Size:mm																															
Weight:kg	0.01																														
NO.	<b>NO.20-6</b>																														
Part No.	612600080200																														
CH part name	密封垫圈																														
EN part name	Gasket																														
RU part name	набивка																														
Size:mm																															
Weight:kg	0.01																														
NO.	<b>NO.20-17</b>																														
Remarks: weichai WP10		Remarks: weichai WP10 WD615 WD618 WD12 WP12																													




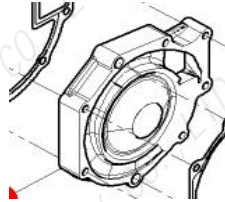
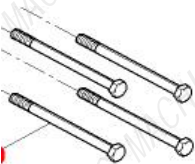

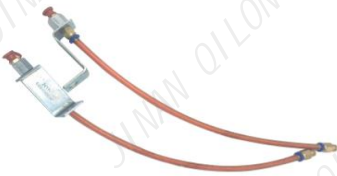

# SHACMAN(1)

Cooling system / pump		NO.21		KD0337			
						Part No.	90003802455
						CH part name	出水管六角头螺栓
						EN part name	Hexagon headed bolt
						RU part name	шестигранный болт
						Size:mm	
						Weight:kg	0.1
						NO.	<b>NO.20-16</b>
Remarks: weichai WP10 WP12				KD0338			
				Part No.	90003802424		
				CH part name	出水管六角头螺栓		
				EN part name	Hexagon headed bolt		
				RU part name	шестигранный болт		
				Size:mm			
				Weight:kg	0.03		
				NO.	<b>NO.20-17</b>		
Remarks: weichai WP10				KD0339			
		Part No.	612630060218				
		CH part name	接头				
		EN part name	Pump joint				
		RU part name	НАСОС СОВМЕСТНЫХ				
		Size:mm					
		Weight:kg	0.12				
		NO.	<b>NO.21-5</b>				
Remarks: weichai WP12				KD0340			
		Part No.	90003802466				
		CH part name	出水管六角头螺栓				
		EN part name	Hexagon headed bolt				
		RU part name	шестигранный болт				
		Size:mm					
		Weight:kg	0.1				
		NO.	<b>NO.20-16</b>				
Remarks: weichai WD618 WD12 WD615				KD0341			
		Part No.	612600090792				
		CH part name	温度传感器				
		EN part name	Temperature transmitter				
		RU part name	Датчик температуры воды				
		Size:mm					
		Weight:kg	0.05				
		NO.	<b>NO.21-6</b>				
Remarks: weichai WP12				KD0342			
		Part No.	612630060034				
		CH part name	水管接头				
		EN part name	water pipe head				
		RU part name	соединение труб				
		Size:mm					
		Weight:kg	0.11				
		NO.	<b>NO.21-7</b>				
Remarks: weichai WP12							

# SHACMAN(1)

	Part No. 612630060035 CH part name 水温传感器 EN part name Temperature transmitter RU part name Датчик температуры воды Size:mm 60*20*20 Weight:kg 0.629 NO. <b>NO.21-8</b>			Part No. 612630060429 CH part name 支架 EN part name trestle RU part name кронштейн Size:mm Weight:kg 0.34 NO. <b>NO.21-2</b>	
Remarks: weichai WP12			Remarks: weichai WP12		
	Part No. 612630061129 CH part name 水泵 EN part name Water pump assy. RU part name Водяной насос в сборе Size:mm 340*180*180 Weight:kg 14 NO. <b>NO.21-1</b>			Part No. 612600061378 CH part name 水泵 EN part name Water pump assy. RU part name Водяной насос в сборе Size:mm 230*190*230 Weight:kg 17.5 NO. <b>NO.21-19</b>	
Remarks: weichai WP12 612630061073			Remarks: weichai WD615.50		
	Part No. 612630061042 CH part name 水泵 EN part name Water pump assy. RU part name Водяной насос в сборе Size:mm 230*190*230 Weight:kg 16.5 NO. <b>NO.21-19</b>			Part No. 61500060229 CH part name 水泵 EN part name Water pump assy. RU part name Водяной насос в сборе Size:mm 215*190*190 Weight:kg 17.5 NO. <b>NO.21-19</b>	
Remarks: weichai WP10 612600061603			Remarks: weichai WD615.68		
	Part No. 612600062191 CH part name 水泵 EN part name Water pump assy. RU part name Водяной насос в сборе Size:mm 260*230*220 Weight:kg 16.8 NO. <b>NO.21-29</b>			Part No. 612600060389 CH part name 水泵 EN part name Water pump assy. RU part name Водяной насос в сборе Size:mm 230*190*230 Weight:kg 17.5 NO. <b>NO.21-19</b>	
Remarks: weichai WD618			Remarks: weichai E3		

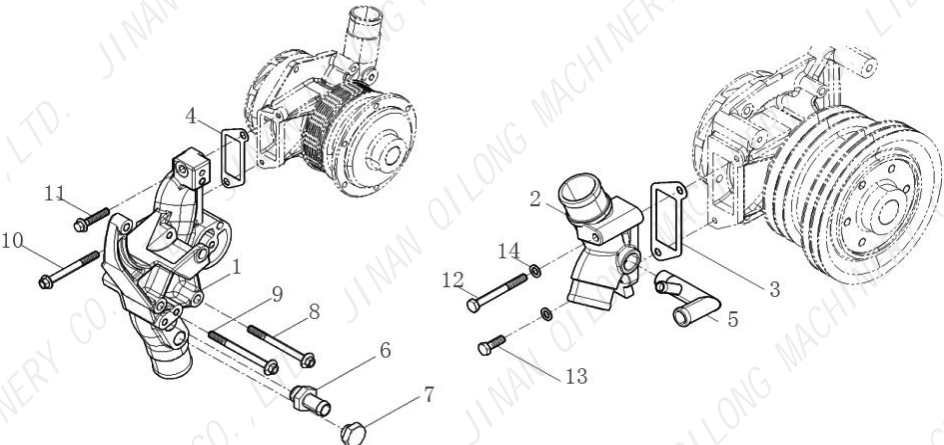



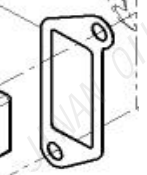
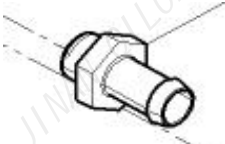
# SHACMAN(1)

	<table border="1"> <tr><td>Part No.</td><td>612600062192</td></tr> <tr><td>CH part name</td><td>水泵</td></tr> <tr><td>EN part name</td><td>Water pump assy.</td></tr> <tr><td>RU part name</td><td>Водяной насос в сборе</td></tr> <tr><td>Size:mm</td><td>260*230*220</td></tr> <tr><td>Weight:kg</td><td>16.8</td></tr> <tr><td>NO.</td><td><b>NO.21-29</b></td></tr> </table>	Part No.	612600062192	CH part name	水泵	EN part name	Water pump assy.	RU part name	Водяной насос в сборе	Size:mm	260*230*220	Weight:kg	16.8	NO.	<b>NO.21-29</b>		<table border="1"> <tr><td>Part No.</td><td>612600061521</td></tr> <tr><td>CH part name</td><td>皮带轮</td></tr> <tr><td>EN part name</td><td>belt pulley</td></tr> <tr><td>RU part name</td><td>Шкив водяного насоса</td></tr> <tr><td>Size:mm</td><td></td></tr> <tr><td>Weight:kg</td><td>2.1</td></tr> <tr><td>NO.</td><td><b>NO.21-22</b></td></tr> </table>	Part No.	612600061521	CH part name	皮带轮	EN part name	belt pulley	RU part name	Шкив водяного насоса	Size:mm		Weight:kg	2.1	NO.	<b>NO.21-22</b>
Part No.	612600062192																														
CH part name	水泵																														
EN part name	Water pump assy.																														
RU part name	Водяной насос в сборе																														
Size:mm	260*230*220																														
Weight:kg	16.8																														
NO.	<b>NO.21-29</b>																														
Part No.	612600061521																														
CH part name	皮带轮																														
EN part name	belt pulley																														
RU part name	Шкив водяного насоса																														
Size:mm																															
Weight:kg	2.1																														
NO.	<b>NO.21-22</b>																														
Remarks: weichai WD12		Remarks: weichai WP10																													
	<table border="1"> <tr><td>Part No.</td><td>612600061364</td></tr> <tr><td>CH part name</td><td>水泵</td></tr> <tr><td>EN part name</td><td>Water pump assy.</td></tr> <tr><td>RU part name</td><td>Водяной насос в сборе</td></tr> <tr><td>Size:mm</td><td></td></tr> <tr><td>Weight:kg</td><td>17.5</td></tr> <tr><td>NO.</td><td><b>NO.21-19</b></td></tr> </table>	Part No.	612600061364	CH part name	水泵	EN part name	Water pump assy.	RU part name	Водяной насос в сборе	Size:mm		Weight:kg	17.5	NO.	<b>NO.21-19</b>		<table border="1"> <tr><td>Part No.</td><td>612600061942</td></tr> <tr><td>CH part name</td><td>水泵体</td></tr> <tr><td>EN part name</td><td>Pump body</td></tr> <tr><td>RU part name</td><td></td></tr> <tr><td>Size:mm</td><td></td></tr> <tr><td>Weight:kg</td><td></td></tr> <tr><td>NO.</td><td><b>NO.21-26</b></td></tr> </table>	Part No.	612600061942	CH part name	水泵体	EN part name	Pump body	RU part name		Size:mm		Weight:kg		NO.	<b>NO.21-26</b>
Part No.	612600061364																														
CH part name	水泵																														
EN part name	Water pump assy.																														
RU part name	Водяной насос в сборе																														
Size:mm																															
Weight:kg	17.5																														
NO.	<b>NO.21-19</b>																														
Part No.	612600061942																														
CH part name	水泵体																														
EN part name	Pump body																														
RU part name																															
Size:mm																															
Weight:kg																															
NO.	<b>NO.21-26</b>																														
Remarks: weichai WP10		Remarks: weichai WD618 WD12																													
	<table border="1"> <tr><td>Part No.</td><td>612639000100</td></tr> <tr><td>CH part name</td><td>水泵六角头螺栓</td></tr> <tr><td>EN part name</td><td>Hexagon headed bolt</td></tr> <tr><td>RU part name</td><td>шестигранный болт</td></tr> <tr><td>Size:mm</td><td></td></tr> <tr><td>Weight:kg</td><td>0.18</td></tr> <tr><td>NO.</td><td><b>NO.21-11</b></td></tr> </table>	Part No.	612639000100	CH part name	水泵六角头螺栓	EN part name	Hexagon headed bolt	RU part name	шестигранный болт	Size:mm		Weight:kg	0.18	NO.	<b>NO.21-11</b>		<table border="1"> <tr><td>Part No.</td><td>90011350024</td></tr> <tr><td>CH part name</td><td>水泵六角头螺栓</td></tr> <tr><td>EN part name</td><td>Hexagon headed bolt</td></tr> <tr><td>RU part name</td><td>шестигранный болт</td></tr> <tr><td>Size:mm</td><td></td></tr> <tr><td>Weight:kg</td><td>0.17</td></tr> <tr><td>NO.</td><td><b>NO.21-12</b></td></tr> </table>	Part No.	90011350024	CH part name	水泵六角头螺栓	EN part name	Hexagon headed bolt	RU part name	шестигранный болт	Size:mm		Weight:kg	0.17	NO.	<b>NO.21-12</b>
Part No.	612639000100																														
CH part name	水泵六角头螺栓																														
EN part name	Hexagon headed bolt																														
RU part name	шестигранный болт																														
Size:mm																															
Weight:kg	0.18																														
NO.	<b>NO.21-11</b>																														
Part No.	90011350024																														
CH part name	水泵六角头螺栓																														
EN part name	Hexagon headed bolt																														
RU part name	шестигранный болт																														
Size:mm																															
Weight:kg	0.17																														
NO.	<b>NO.21-12</b>																														
Remarks: weichai WP12		Remarks: weichai WP12																													
	<table border="1"> <tr><td>Part No.</td><td>612640060147</td></tr> <tr><td>CH part name</td><td>水泵加黄油装置</td></tr> <tr><td>EN part name</td><td>Butter tube</td></tr> <tr><td>RU part name</td><td>Трубка масла</td></tr> <tr><td>Size:mm</td><td></td></tr> <tr><td>Weight:kg</td><td>0.21</td></tr> <tr><td>NO.</td><td><b>NO.21-18</b></td></tr> </table>	Part No.	612640060147	CH part name	水泵加黄油装置	EN part name	Butter tube	RU part name	Трубка масла	Size:mm		Weight:kg	0.21	NO.	<b>NO.21-18</b>		<table border="1"> <tr><td>Part No.</td><td>612600060456</td></tr> <tr><td>CH part name</td><td>水泵加黄油装置</td></tr> <tr><td>EN part name</td><td>Butter tube</td></tr> <tr><td>RU part name</td><td>Трубка масла</td></tr> <tr><td>Size:mm</td><td></td></tr> <tr><td>Weight:kg</td><td>0.21</td></tr> <tr><td>NO.</td><td><b>NO.21-18</b></td></tr> </table>	Part No.	612600060456	CH part name	水泵加黄油装置	EN part name	Butter tube	RU part name	Трубка масла	Size:mm		Weight:kg	0.21	NO.	<b>NO.21-18</b>
Part No.	612640060147																														
CH part name	水泵加黄油装置																														
EN part name	Butter tube																														
RU part name	Трубка масла																														
Size:mm																															
Weight:kg	0.21																														
NO.	<b>NO.21-18</b>																														
Part No.	612600060456																														
CH part name	水泵加黄油装置																														
EN part name	Butter tube																														
RU part name	Трубка масла																														
Size:mm																															
Weight:kg	0.21																														
NO.	<b>NO.21-18</b>																														
Remarks: weichai WP10		Remarks: weichai WD615																													

# SHACMAN(1)

	<table border="1"> <tr><td>Part No.</td><td>612600061944</td></tr> <tr><td>CH part name</td><td>水泵密封垫</td></tr> <tr><td>EN part name</td><td>Water Pump Cushion</td></tr> <tr><td>RU part name</td><td>прокладка насоса</td></tr> <tr><td>Size:mm</td><td></td></tr> <tr><td>Weight:kg</td><td>0.1</td></tr> <tr><td>NO.</td><td><b>NO.21-27</b></td></tr> </table>	Part No.	612600061944	CH part name	水泵密封垫	EN part name	Water Pump Cushion	RU part name	прокладка насоса	Size:mm		Weight:kg	0.1	NO.	<b>NO.21-27</b>		<table border="1"> <tr><td>Part No.</td><td>612630060355</td></tr> <tr><td>CH part name</td><td>暖风回水接头</td></tr> <tr><td>EN part name</td><td>Warm air backwater connector</td></tr> <tr><td>RU part name</td><td>теплый воздух заводить совместных</td></tr> <tr><td>Size:mm</td><td></td></tr> <tr><td>Weight:kg</td><td>0.12</td></tr> <tr><td>NO.</td><td><b>NO.21-13</b></td></tr> </table>	Part No.	612630060355	CH part name	暖风回水接头	EN part name	Warm air backwater connector	RU part name	теплый воздух заводить совместных	Size:mm		Weight:kg	0.12	NO.	<b>NO.21-13</b>
Part No.	612600061944																														
CH part name	水泵密封垫																														
EN part name	Water Pump Cushion																														
RU part name	прокладка насоса																														
Size:mm																															
Weight:kg	0.1																														
NO.	<b>NO.21-27</b>																														
Part No.	612630060355																														
CH part name	暖风回水接头																														
EN part name	Warm air backwater connector																														
RU part name	теплый воздух заводить совместных																														
Size:mm																															
Weight:kg	0.12																														
NO.	<b>NO.21-13</b>																														
Remarks: weichai WD618 WD12		Remarks: weichai WP12																													
	<table border="1"> <tr><td>Part No.</td><td>612600061901</td></tr> <tr><td>CH part name</td><td>水泵密封垫</td></tr> <tr><td>EN part name</td><td>Water Pump Cushion</td></tr> <tr><td>RU part name</td><td>прокладка насоса</td></tr> <tr><td>Size:mm</td><td></td></tr> <tr><td>Weight:kg</td><td>0.1</td></tr> <tr><td>NO.</td><td><b>NO.21-25</b></td></tr> </table>	Part No.	612600061901	CH part name	水泵密封垫	EN part name	Water Pump Cushion	RU part name	прокладка насоса	Size:mm		Weight:kg	0.1	NO.	<b>NO.21-25</b>		<table border="1"> <tr><td>Part No.</td><td>612640060074</td></tr> <tr><td>CH part name</td><td>水泵密封垫</td></tr> <tr><td>EN part name</td><td>Water Pump Cushion</td></tr> <tr><td>RU part name</td><td>прокладка насоса</td></tr> <tr><td>Size:mm</td><td></td></tr> <tr><td>Weight:kg</td><td>0.01</td></tr> <tr><td>NO.</td><td><b>NO.21-16</b></td></tr> </table>	Part No.	612640060074	CH part name	水泵密封垫	EN part name	Water Pump Cushion	RU part name	прокладка насоса	Size:mm		Weight:kg	0.01	NO.	<b>NO.21-16</b>
Part No.	612600061901																														
CH part name	水泵密封垫																														
EN part name	Water Pump Cushion																														
RU part name	прокладка насоса																														
Size:mm																															
Weight:kg	0.1																														
NO.	<b>NO.21-25</b>																														
Part No.	612640060074																														
CH part name	水泵密封垫																														
EN part name	Water Pump Cushion																														
RU part name	прокладка насоса																														
Size:mm																															
Weight:kg	0.01																														
NO.	<b>NO.21-16</b>																														
Remarks: weichai WD618 WD12		Remarks: weichai WP10																													
	<table border="1"> <tr><td>Part No.</td><td>900116200335</td></tr> <tr><td>CH part name</td><td>双头螺柱</td></tr> <tr><td>EN part name</td><td>Double end studs</td></tr> <tr><td>RU part name</td><td>Двойная шпилька</td></tr> <tr><td>Size:mm</td><td></td></tr> <tr><td>Weight:kg</td><td>0.035</td></tr> <tr><td>NO.</td><td><b>NO.21-24</b></td></tr> </table>	Part No.	900116200335	CH part name	双头螺柱	EN part name	Double end studs	RU part name	Двойная шпилька	Size:mm		Weight:kg	0.035	NO.	<b>NO.21-24</b>		<table border="1"> <tr><td>Part No.</td><td>614060008</td></tr> <tr><td>CH part name</td><td>水泵密封垫</td></tr> <tr><td>EN part name</td><td>Water Pump Cushion</td></tr> <tr><td>RU part name</td><td>прокладка насоса</td></tr> <tr><td>Size:mm</td><td></td></tr> <tr><td>Weight:kg</td><td>0.01</td></tr> <tr><td>NO.</td><td><b>NO.21-16</b></td></tr> </table>	Part No.	614060008	CH part name	水泵密封垫	EN part name	Water Pump Cushion	RU part name	прокладка насоса	Size:mm		Weight:kg	0.01	NO.	<b>NO.21-16</b>
Part No.	900116200335																														
CH part name	双头螺柱																														
EN part name	Double end studs																														
RU part name	Двойная шпилька																														
Size:mm																															
Weight:kg	0.035																														
NO.	<b>NO.21-24</b>																														
Part No.	614060008																														
CH part name	水泵密封垫																														
EN part name	Water Pump Cushion																														
RU part name	прокладка насоса																														
Size:mm																															
Weight:kg	0.01																														
NO.	<b>NO.21-16</b>																														
Remarks: weichai WD618 WD12		Remarks: weichai WD615																													
	<table border="1"> <tr><td>Part No.</td><td>90003813429S</td></tr> <tr><td>CH part name</td><td>双头螺柱</td></tr> <tr><td>EN part name</td><td>Double end studs</td></tr> <tr><td>RU part name</td><td>Двойная шпилька</td></tr> <tr><td>Size:mm</td><td></td></tr> <tr><td>Weight:kg</td><td>0.011</td></tr> <tr><td>NO.</td><td><b>NO.21-14</b></td></tr> </table>	Part No.	90003813429S	CH part name	双头螺柱	EN part name	Double end studs	RU part name	Двойная шпилька	Size:mm		Weight:kg	0.011	NO.	<b>NO.21-14</b>		<table border="1"> <tr><td>Part No.</td><td>90003813470S</td></tr> <tr><td>CH part name</td><td>双头螺柱</td></tr> <tr><td>EN part name</td><td>Double end studs</td></tr> <tr><td>RU part name</td><td>Двойная шпилька</td></tr> <tr><td>Size:mm</td><td></td></tr> <tr><td>Weight:kg</td><td>0.02</td></tr> <tr><td>NO.</td><td><b>NO.21-14</b></td></tr> </table>	Part No.	90003813470S	CH part name	双头螺柱	EN part name	Double end studs	RU part name	Двойная шпилька	Size:mm		Weight:kg	0.02	NO.	<b>NO.21-14</b>
Part No.	90003813429S																														
CH part name	双头螺柱																														
EN part name	Double end studs																														
RU part name	Двойная шпилька																														
Size:mm																															
Weight:kg	0.011																														
NO.	<b>NO.21-14</b>																														
Part No.	90003813470S																														
CH part name	双头螺柱																														
EN part name	Double end studs																														
RU part name	Двойная шпилька																														
Size:mm																															
Weight:kg	0.02																														
NO.	<b>NO.21-14</b>																														
Remarks: weichai WP10		Remarks: weichai WP10 WD615																													

# SHACMAN(1)









Cooling system /water pipe head		NO.22	
	KD0367		
		Part No.	612640060117
	CH part name	水泵进水管	
	EN part name	Water pump inlet pipe	
	RU part name	входной трубы	
	Size:mm		
	Weight:kg	0.52	
	NO.	<b>NO.22-1</b>	
Remarks: weichai WP10			
	KD0368		
		Part No.	61560060022A
	CH part name	水管接头	
	EN part name	Water pump inlet pipe	
	RU part name	входной трубы	
	Size:mm	160*92*70	
	Weight:kg	0.45	
	NO.	<b>NO.22-2</b>	
Remarks: weichai WD615 WP10			
KD0369		KD0370	
	Part No.	AZ1560060001	
	CH part name	管接头组件	
	EN part name	Pipe joint	
	RU part name	штуцер	
	Size:mm		
	Weight:kg	0.15	
	NO.	<b>NO.22-5</b>	
Remarks: weichai WD615			
		KD0371	
	Part No.	612640060150	
	CH part name	水管接头垫片	
	EN part name	Water pipe joint gasket	
	RU part name	прокладка	
	Size:mm		
	Weight:kg	0.001	
	NO.	<b>NO.22-4</b>	
Remarks: weichai WP10			
		KD0372	
		Part No.	61000040030
	CH part name	连接管	
	EN part name	Connecting pipe	
	RU part name	соединение труб	
	Size:mm		
	Weight:kg	0.1	
	NO.	<b>NO.22-6</b>	
Remarks: weichai WP10			



# SHACMAN(1)

Cooling system /Fan and fan bracket		NO.23					
				KD0373			
					Part No.	612630060238	
					CH part name	风扇托架总成	
					EN part name	Bracket	
					RU part name	кронштейн вентилятора	
Size:mm							
Weight:kg							
NO.			<b>NO.23-10</b>				
Remarks: weichai WP12.375							
				KD0374			
					Part No.	612600061960	
					CH part name	风扇托架总成	
					EN part name	Bracket	
					RU part name	кронштейн вентилятора	
Size:mm							
Weight:kg							
NO.			<b>NO.23-10</b>				
Remarks: weichai WD12.375							
KD0375				KD0376			
	Part No.	61500060239			Part No.	612600061569	
	CH part name	中间法兰			CH part name	风扇托架总成	
	EN part name	Flange			EN part name	Bracket	
	RU part name	вентилятор узла			RU part name	кронштейн вентилятора	
	Size:mm	150*110*110			Size:mm		
	Weight:kg	2.5			Weight:kg		
	NO.	<b>NO.23-7</b>			NO.	<b>NO.23-10</b>	
Remarks: weichai WD615.50				Remarks: weichai WD618.42Q WD12.375			
KD0377				KD0378			
	Part No.	612600060398			Part No.	612600060446	
	CH part name	风扇离合器总成			CH part name	风扇叶	
	EN part name	Fan with ring			EN part name	Fan with ring (9 blades)	
	RU part name	Вентилятор			RU part name	Вентилятор	
	Size:mm				Size:mm	640*640*85	
	Weight:kg	2.15			Weight:kg	2.7	
	NO.	<b>NO.23-8</b>			NO.	<b>NO.23-8</b>	
Remarks: weichai WD615.50				Remarks: weichai WD615.69 WD618.42Q WD12.375			

# SHACMAN(1)

KD0379			KD0380		
	Part No.	61800061056		Part No.	612600060886
	CH part name	风扇叶		CH part name	φ670环形风扇
	EN part name	Fan with ring		EN part name	Fan with ring
	RU part name	Вентилятор		RU part name	Вентилятор
	Size:mm			Size:mm	
	Weight:kg	2.15		Weight:kg	2.7
	NO.	<b>NO.23-4</b>		NO.	<b>NO.23-4</b>
Remarks: weichai WP10.336E40			Remarks: weichai WP12.375		
KD0381			KD0382		
	Part No.	612600062391		Part No.	612600061262
	CH part name	风扇离合器		CH part name	风扇离合器
	EN part name	Fan silicon clutch		EN part name	Fan silicon clutch
	RU part name	Гидромуфта		RU part name	Гидромуфта
	Size:mm			Size:mm	
	Weight:kg	10.2		Weight:kg	3.67
	NO.	<b>NO.23-1</b>		NO.	<b>NO.23-1</b>
Remarks: weichai WP10 612600061489			Remarks: weichai WP12 612630060285 WP10		
KD0383			KD0384		
	Part No.	612600060959		Part No.	612600061450
	CH part name	中间法兰		CH part name	中间法兰
	EN part name	Flange		EN part name	Flange
	RU part name	вентилятор узла		RU part name	вентилятор узла
	Size:mm			Size:mm	
	Weight:kg			Weight:kg	
	NO.	<b>NO.23-7</b>		NO.	<b>NO.23-7</b>
Remarks: weichai WD12.375			Remarks: weichai WD618.42Q WD12.375		
KD0385			KD0386		
	Part No.	61560060004		Part No.	612640060170
	CH part name	护风罩总成		CH part name	护风罩总成
	EN part name	Guard ring		EN part name	Guard ring
	RU part name	охранник кольцо		RU part name	охранник кольцо
	Size:mm			Size:mm	
	Weight:kg	1.45		Weight:kg	1.45
	NO.	<b>NO.23-6</b>		NO.	<b>NO.23-3</b>
Remarks: weichai WD615 61560060027			Remarks: weichai WP10		

# SHACMAN(1)

	<table border="1"> <tr><td>Part No.</td><td>61800061031</td></tr> <tr><td>CH part name</td><td>风扇护带</td></tr> <tr><td>EN part name</td><td>Belt</td></tr> <tr><td>RU part name</td><td>защитный пояс</td></tr> <tr><td>Size:mm</td><td></td></tr> <tr><td>Weight:kg</td><td>0.02</td></tr> <tr><td>NO.</td><td><b>NO.23-5</b></td></tr> </table>	Part No.	61800061031	CH part name	风扇护带	EN part name	Belt	RU part name	защитный пояс	Size:mm		Weight:kg	0.02	NO.	<b>NO.23-5</b>		<table border="1"> <tr><td>Part No.</td><td>AZ1560060016</td></tr> <tr><td>CH part name</td><td>风扇护带</td></tr> <tr><td>EN part name</td><td>Belt</td></tr> <tr><td>RU part name</td><td>защитный пояс</td></tr> <tr><td>Size:mm</td><td></td></tr> <tr><td>Weight:kg</td><td>0.02</td></tr> <tr><td>NO.</td><td><b>NO.23-9</b></td></tr> </table>	Part No.	AZ1560060016	CH part name	风扇护带	EN part name	Belt	RU part name	защитный пояс	Size:mm		Weight:kg	0.02	NO.	<b>NO.23-9</b>
Part No.	61800061031																														
CH part name	风扇护带																														
EN part name	Belt																														
RU part name	защитный пояс																														
Size:mm																															
Weight:kg	0.02																														
NO.	<b>NO.23-5</b>																														
Part No.	AZ1560060016																														
CH part name	风扇护带																														
EN part name	Belt																														
RU part name	защитный пояс																														
Size:mm																															
Weight:kg	0.02																														
NO.	<b>NO.23-9</b>																														
Remarks: weichai WP10		Remarks: weichai WD615																													
	<table border="1"> <tr><td>Part No.</td><td>612640060203</td></tr> <tr><td>CH part name</td><td>护风罩支架</td></tr> <tr><td>EN part name</td><td>Air shield support</td></tr> <tr><td>RU part name</td><td>ветровой колпак скобка</td></tr> <tr><td>Size:mm</td><td></td></tr> <tr><td>Weight:kg</td><td>0.31</td></tr> <tr><td>NO.</td><td><b>NO.23-2</b></td></tr> </table>	Part No.	612640060203	CH part name	护风罩支架	EN part name	Air shield support	RU part name	ветровой колпак скобка	Size:mm		Weight:kg	0.31	NO.	<b>NO.23-2</b>		<table border="1"> <tr><td>Part No.</td><td>612640060164</td></tr> <tr><td>CH part name</td><td>护风罩右支架</td></tr> <tr><td>EN part name</td><td>Right support bracket</td></tr> <tr><td>RU part name</td><td>ветровой колпак правая скобки</td></tr> <tr><td>Size:mm</td><td></td></tr> <tr><td>Weight:kg</td><td>0.3</td></tr> <tr><td>NO.</td><td><b>NO.23-14</b></td></tr> </table>	Part No.	612640060164	CH part name	护风罩右支架	EN part name	Right support bracket	RU part name	ветровой колпак правая скобки	Size:mm		Weight:kg	0.3	NO.	<b>NO.23-14</b>
Part No.	612640060203																														
CH part name	护风罩支架																														
EN part name	Air shield support																														
RU part name	ветровой колпак скобка																														
Size:mm																															
Weight:kg	0.31																														
NO.	<b>NO.23-2</b>																														
Part No.	612640060164																														
CH part name	护风罩右支架																														
EN part name	Right support bracket																														
RU part name	ветровой колпак правая скобки																														
Size:mm																															
Weight:kg	0.3																														
NO.	<b>NO.23-14</b>																														
Remarks: weichai WP10		Remarks: weichai WP10																													
	<table border="1"> <tr><td>Part No.</td><td>612640060166</td></tr> <tr><td>CH part name</td><td>护风罩左支架</td></tr> <tr><td>EN part name</td><td>Left support for wind shield</td></tr> <tr><td>RU part name</td><td>ветровой колпак левой скобки</td></tr> <tr><td>Size:mm</td><td></td></tr> <tr><td>Weight:kg</td><td>0.3</td></tr> <tr><td>NO.</td><td><b>NO.23-15</b></td></tr> </table>	Part No.	612640060166	CH part name	护风罩左支架	EN part name	Left support for wind shield	RU part name	ветровой колпак левой скобки	Size:mm		Weight:kg	0.3	NO.	<b>NO.23-15</b>		<table border="1"> <tr><td>Part No.</td><td>61560060069</td></tr> <tr><td>CH part name</td><td>三槽偏心涨紧轮</td></tr> <tr><td>EN part name</td><td>Tension pulley</td></tr> <tr><td>RU part name</td><td>направляющая колес в сборе</td></tr> <tr><td>Size:mm</td><td>100*100*40</td></tr> <tr><td>Weight:kg</td><td>2.1</td></tr> <tr><td>NO.</td><td><b>NO.24-12</b></td></tr> </table>	Part No.	61560060069	CH part name	三槽偏心涨紧轮	EN part name	Tension pulley	RU part name	направляющая колес в сборе	Size:mm	100*100*40	Weight:kg	2.1	NO.	<b>NO.24-12</b>
Part No.	612640060166																														
CH part name	护风罩左支架																														
EN part name	Left support for wind shield																														
RU part name	ветровой колпак левой скобки																														
Size:mm																															
Weight:kg	0.3																														
NO.	<b>NO.23-15</b>																														
Part No.	61560060069																														
CH part name	三槽偏心涨紧轮																														
EN part name	Tension pulley																														
RU part name	направляющая колес в сборе																														
Size:mm	100*100*40																														
Weight:kg	2.1																														
NO.	<b>NO.24-12</b>																														
Remarks: weichai WP10		Remarks: weichai WD618 WD12																													
	<table border="1"> <tr><td>Part No.</td><td>612600060568</td></tr> <tr><td>CH part name</td><td>张紧轮总成</td></tr> <tr><td>EN part name</td><td>Tensioning wheel assembly</td></tr> <tr><td>RU part name</td><td>направляющая колес в сборе</td></tr> <tr><td>Size:mm</td><td></td></tr> <tr><td>Weight:kg</td><td></td></tr> <tr><td>NO.</td><td><b>NO.24-1</b></td></tr> </table>	Part No.	612600060568	CH part name	张紧轮总成	EN part name	Tensioning wheel assembly	RU part name	направляющая колес в сборе	Size:mm		Weight:kg		NO.	<b>NO.24-1</b>		<table border="1"> <tr><td>Part No.</td><td>612600061755</td></tr> <tr><td>CH part name</td><td>张紧轮总成</td></tr> <tr><td>EN part name</td><td>Tensioning wheel assembly</td></tr> <tr><td>RU part name</td><td>направляющая колес в сборе</td></tr> <tr><td>Size:mm</td><td></td></tr> <tr><td>Weight:kg</td><td></td></tr> <tr><td>NO.</td><td><b>NO.24-3</b></td></tr> </table>	Part No.	612600061755	CH part name	张紧轮总成	EN part name	Tensioning wheel assembly	RU part name	направляющая колес в сборе	Size:mm		Weight:kg		NO.	<b>NO.24-3</b>
Part No.	612600060568																														
CH part name	张紧轮总成																														
EN part name	Tensioning wheel assembly																														
RU part name	направляющая колес в сборе																														
Size:mm																															
Weight:kg																															
NO.	<b>NO.24-1</b>																														
Part No.	612600061755																														
CH part name	张紧轮总成																														
EN part name	Tensioning wheel assembly																														
RU part name	направляющая колес в сборе																														
Size:mm																															
Weight:kg																															
NO.	<b>NO.24-3</b>																														
Remarks: weichai WD615		Remarks: weichai WD12																													

# SHACMAN(1)

Cooling system/Tighten wheel and belt		NO.24															
				KD0395													
					Part No.	612600062371	CH part name	自动张紧轮	EN part name	Automatic tensioning wheel	RU part name	автоматический натяжное колесо	Size:mm		Weight:kg		NO.
Remarks: weichai WD12				KD0396													
				Part No.	612640060116	CH part name	自动张紧轮	EN part name	Automatic tensioning wheel	RU part name	автоматический натяжное колесо	Size:mm		Weight:kg		NO.	NO.24-3
				Remarks: weichai WP10				KD0397									
				Part No.	612630060847	CH part name	自动张紧轮	EN part name	Automatic tensioning wheel	RU part name	автоматический натяжное колесо	Size:mm		Weight:kg		NO.	NO.24-3
				Remarks: weichai WP12				KD0398									
				Part No.	612600061256	CH part name	皮带张紧轮	EN part name	Tensioning wheel assembly	RU part name	направляющая колес в сборе	Size:mm		Weight:kg		NO.	NO.24-4
				Remarks: weichai WP10				KD0399									
				Part No.	612630060972	CH part name	自动张紧轮	EN part name	Automatic tensioning wheel	RU part name	автоматический натяжное колесо	Size:mm		Weight:kg		NO.	NO.24-4
				Remarks: weichai WP12				KD0400									
				Part No.	612630060881	CH part name	平惰轮	EN part name	Belt tension pulley	RU part name	Ролик натяжной	Size:mm	80*80*45	Weight:kg	0.5	NO.	NO.24-3A
				Remarks: weichai WP12													

# SHACMAN(1)

KD0401		Part No. 612630060011 CH part name 多楔带 ( 6槽 ) EN part name Multi wedge band (6 slot) RU part name Поликлиновый ремень (6 слот ) Size:mm 6PK1399 Weight:kg 0.12 NO. <b>NO.24-2</b>	KD03402		Part No. 612630060973 CH part name 平惰轮 EN part name Belt tension pulley RU part name Ролик натяжной Size:mm Weight:kg NO. <b>NO.24-4A</b>
Remarks: weichai WP12			Remarks: weichai WP12		
KD03403		Part No. 612630060974 CH part name 多楔带 EN part name Multi wedge band RU part name Поликлиновый ремень Size:mm 10PK1287 Weight:kg 0.13 NO. <b>NO.24-1</b>	KD0404		Part No. 612600061995 CH part name 多楔带 EN part name Multi wedge band RU part name Поликлиновый ремень Size:mm 10PK1068 Weight:kg 0.12 NO. <b>NO.24-1</b>
Remarks: weichai WP12			Remarks: weichai WP10		
KD0405		Part No. 612640060111 CH part name 多楔带 EN part name Multi wedge band RU part name Поликлиновый ремень Size:mm 8PK1092 Weight:kg 0.12 NO. <b>NO.24-2</b>	KD0406		Part No. 612600061747 CH part name 多楔带 EN part name Multi wedge band RU part name Поликлиновый ремень Size:mm 10PK1054 Weight:kg 0.12 NO. <b>NO.24-1</b>
Remarks: weichai WP10			Remarks: weichai WD12		
KD0407		Part No. 612600020251 CH part name 多楔带 EN part name Multi wedge band RU part name Поликлиновый ремень Size:mm 8PK1062 Weight:kg 0.12 NO. <b>NO.24-1</b>	KD0408		Part No. 612600061752 CH part name 多楔带 EN part name Multi wedge band RU part name Поликлиновый ремень Size:mm 8PK1160 Weight:kg 0.12 NO. <b>NO.24-2</b>
Remarks: weichai WD615			Remarks: weichai WD12		

# SHACMAN(1)

KD0409			KD0410		
	Part No.	81500060228		Part No.	612600090600
	CH part name	三角皮带		CH part name	多楔带
	EN part name	Fan belt		EN part name	Multi wedge band
	RU part name	Ремень вентилятора		RU part name	Поликлиновый ремень
	Size:mm	AV13*1125		Size:mm	8PK795
	Weight:kg	0.07		Weight:kg	0.11
	NO.	<b>NO.24-10</b>		NO.	<b>NO.24-2</b>
Remarks: weichai WD615.69 WD618 WD12 612600061563			Remarks: weichai WD615		
KD0411			KD0412		
	Part No.	61200090187		Part No.	612600061283
	CH part name	三角皮带		CH part name	张紧轮支架
	EN part name	Fan belt		EN part name	Tensioning wheel support
	RU part name	Ремень вентилятора		RU part name	натяжное колесо скобка
	Size:mm	AV10*1075		Size:mm	
	Weight:kg	0.06		Weight:kg	
	NO.	<b>NO.24-11</b>		NO.	<b>NO.24-5</b>
Remarks: weichai WD618 WD12			Remarks: weichai WD12.420		
KD0413			KD0414		
	Part No.	612639000096		Part No.	90013050028
	CH part name	自动张紧轮 六角头螺栓		CH part name	自动张紧轮 六角头螺栓
	EN part name	Hexagon headed bolt		EN part name	Hexagon headed bolt
	RU part name	шестигранный болт		RU part name	шестигранный болт
	Size:mm			Size:mm	
	Weight:kg			Weight:kg	
	NO.	<b>NO.24-6</b>		NO.	<b>NO.24-7</b>
Remarks: weichai WP12			Remarks: weichai WP12.420		
KD0415			KD0416		
	Part No.	90013050183		Part No.	90011260010
	CH part name	自动张紧轮 六角头螺栓		CH part name	自动张紧轮 六角头螺栓
	EN part name	Hexagon headed bolt		EN part name	Hexagon headed bolt
	RU part name	шестигранный болт		RU part name	шестигранный болт
	Size:mm			Size:mm	
	Weight:kg			Weight:kg	
	NO.	<b>NO.24-6</b>		NO.	<b>NO.24-7</b>
Remarks: weichai WP10			Remarks: weichai WP10 WD615		

# SHACMAN(1)

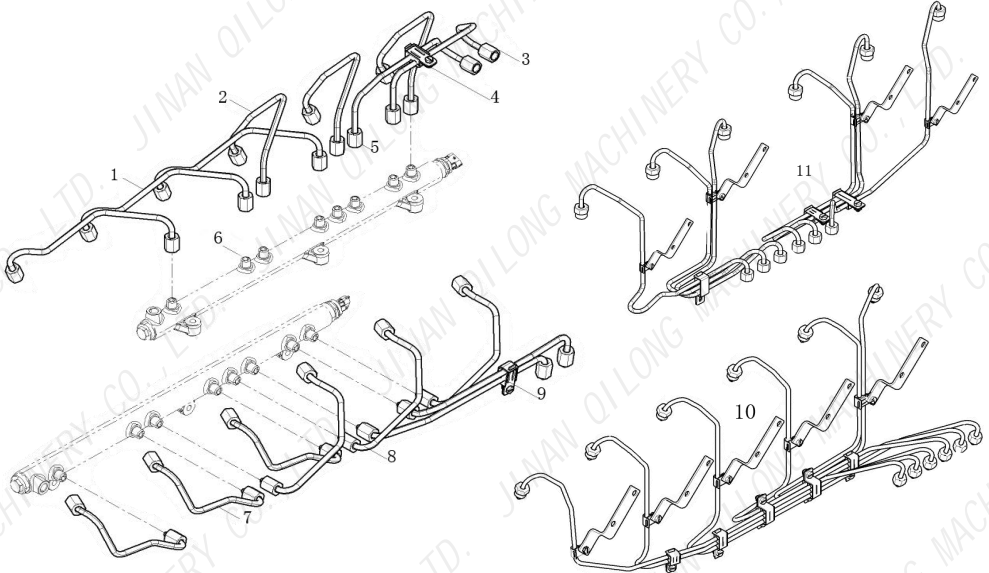

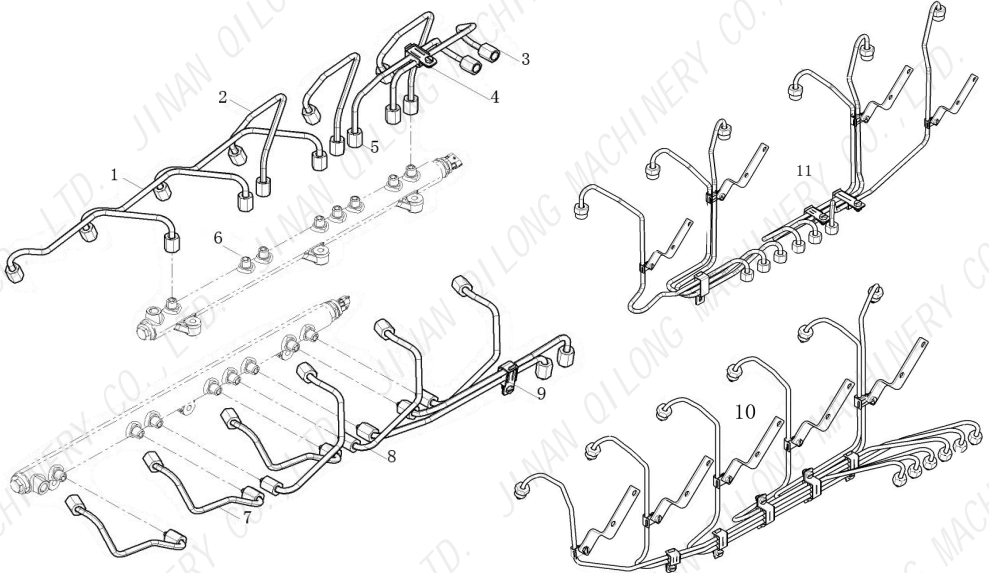





fuel system/Injector		NO.25		KD0417			
						Part No.	90013550016
						CH part name	自动张紧轮 六角头螺栓
						EN part name	Hexagon headed bolt
						RU part name	шестигранный болт
						Size:mm	
						Weight:kg	
				NO.	<b>NO.24-7</b>		
Remarks: weichai WD12				KD0418			
				Part No.	90003862566		
				CH part name	自动张紧轮 六角头螺栓		
				EN part name	Hexagon headed bolt		
				RU part name	шестигранный болт		
				Size:mm			
				Weight:kg			
				NO.	<b>NO.24-6</b>		
Remarks: weichai WD12				KD0419			
		Part No.	612630090055			Part No.	612630090028
		CH part name	喷油器总成			CH part name	喷油器
		EN part name	Injector assy.			EN part name	Injector assy.
		RU part name	Форсунка в сборе			RU part name	Форсунка в сборе
		Size:mm	220*40*40			Size:mm	220*40*40
		Weight:kg	0.6			Weight:kg	0.6
		NO.	<b>NO.25-1</b>			NO.	<b>NO.25-1</b>
Remarks: weichai WP10.336E40				Remarks: weichai WP12.375			
KD0421				KD0422			
		Part No.	61560080276			Part No.	612600080311
		CH part name	喷油器			CH part name	喷油器
		EN part name	Injector assy.			EN part name	Injector assy.
		RU part name	Форсунка в сборе			RU part name	Форсунка в сборе
		Size:mm	190*20*20			Size:mm	
		Weight:kg	0.37			Weight:kg	0.37
		NO.	<b>NO.25-7</b>			NO.	<b>NO.25-7</b>
Remarks: weichai WP10 WD615.69 300PS以上 61560080305 300PS以下				Remarks: weichai WD618.420Q WD12.420			

# SHACMAN(1)









	<table border="1"> <tr><td>Part No.</td><td>612600080730</td></tr> <tr><td>CH part name</td><td>喷油器</td></tr> <tr><td>EN part name</td><td>Injector assy.</td></tr> <tr><td>RU part name</td><td>Форсунка в сборе</td></tr> <tr><td>Size:mm</td><td></td></tr> <tr><td>Weight:kg</td><td>0.37</td></tr> <tr><td>NO.</td><td><b>NO.25-7</b></td></tr> </table>	Part No.	612600080730	CH part name	喷油器	EN part name	Injector assy.	RU part name	Форсунка в сборе	Size:mm		Weight:kg	0.37	NO.	<b>NO.25-7</b>		<table border="1"> <tr><td>Part No.</td><td>612600080618</td></tr> <tr><td>CH part name</td><td>喷油器</td></tr> <tr><td>EN part name</td><td>Injector assy.</td></tr> <tr><td>RU part name</td><td>Форсунка в сборе</td></tr> <tr><td>Size:mm</td><td>200*55*30</td></tr> <tr><td>Weight:kg</td><td>0.65</td></tr> <tr><td>NO.</td><td><b>NO.25-7</b></td></tr> </table>	Part No.	612600080618	CH part name	喷油器	EN part name	Injector assy.	RU part name	Форсунка в сборе	Size:mm	200*55*30	Weight:kg	0.65	NO.	<b>NO.25-7</b>
Part No.	612600080730																														
CH part name	喷油器																														
EN part name	Injector assy.																														
RU part name	Форсунка в сборе																														
Size:mm																															
Weight:kg	0.37																														
NO.	<b>NO.25-7</b>																														
Part No.	612600080618																														
CH part name	喷油器																														
EN part name	Injector assy.																														
RU part name	Форсунка в сборе																														
Size:mm	200*55*30																														
Weight:kg	0.65																														
NO.	<b>NO.25-7</b>																														
Remarks: weichai WD12.375		Remarks: weichai WP10 E3																													
	<table border="1"> <tr><td>Part No.</td><td>61500080094A</td></tr> <tr><td>CH part name</td><td>喷油器压紧板</td></tr> <tr><td>EN part name</td><td>Clamp plate</td></tr> <tr><td>RU part name</td><td>зажим плита</td></tr> <tr><td>Size:mm</td><td></td></tr> <tr><td>Weight:kg</td><td>0.12</td></tr> <tr><td>NO.</td><td><b>NO.25-8</b></td></tr> </table>	Part No.	61500080094A	CH part name	喷油器压紧板	EN part name	Clamp plate	RU part name	зажим плита	Size:mm		Weight:kg	0.12	NO.	<b>NO.25-8</b>		<table border="1"> <tr><td>Part No.</td><td>612630090002</td></tr> <tr><td>CH part name</td><td>喷油器压紧块</td></tr> <tr><td>EN part name</td><td>Clamp plate</td></tr> <tr><td>RU part name</td><td>зажим плита</td></tr> <tr><td>Size:mm</td><td></td></tr> <tr><td>Weight:kg</td><td>0.31</td></tr> <tr><td>NO.</td><td><b>NO.25-2</b></td></tr> </table>	Part No.	612630090002	CH part name	喷油器压紧块	EN part name	Clamp plate	RU part name	зажим плита	Size:mm		Weight:kg	0.31	NO.	<b>NO.25-2</b>
Part No.	61500080094A																														
CH part name	喷油器压紧板																														
EN part name	Clamp plate																														
RU part name	зажим плита																														
Size:mm																															
Weight:kg	0.12																														
NO.	<b>NO.25-8</b>																														
Part No.	612630090002																														
CH part name	喷油器压紧块																														
EN part name	Clamp plate																														
RU part name	зажим плита																														
Size:mm																															
Weight:kg	0.31																														
NO.	<b>NO.25-2</b>																														
Remarks: weichai WD12 WD618 WD615		Remarks: weichai																													
	<table border="1"> <tr><td>Part No.</td><td>612630090006</td></tr> <tr><td>CH part name</td><td>喷油器接头螺母</td></tr> <tr><td>EN part name</td><td>collar nut</td></tr> <tr><td>RU part name</td><td>штуцерная гайка</td></tr> <tr><td>Size:mm</td><td></td></tr> <tr><td>Weight:kg</td><td>0.1</td></tr> <tr><td>NO.</td><td><b>NO.25-5</b></td></tr> </table>	Part No.	612630090006	CH part name	喷油器接头螺母	EN part name	collar nut	RU part name	штуцерная гайка	Size:mm		Weight:kg	0.1	NO.	<b>NO.25-5</b>		<table border="1"> <tr><td>Part No.</td><td>612630090004</td></tr> <tr><td>CH part name</td><td>喷油器接头</td></tr> <tr><td>EN part name</td><td>Injector connector</td></tr> <tr><td>RU part name</td><td>инжектор совместных</td></tr> <tr><td>Size:mm</td><td>120*7*7</td></tr> <tr><td>Weight:kg</td><td>0.1</td></tr> <tr><td>NO.</td><td><b>NO.25-6</b></td></tr> </table>	Part No.	612630090004	CH part name	喷油器接头	EN part name	Injector connector	RU part name	инжектор совместных	Size:mm	120*7*7	Weight:kg	0.1	NO.	<b>NO.25-6</b>
Part No.	612630090006																														
CH part name	喷油器接头螺母																														
EN part name	collar nut																														
RU part name	штуцерная гайка																														
Size:mm																															
Weight:kg	0.1																														
NO.	<b>NO.25-5</b>																														
Part No.	612630090004																														
CH part name	喷油器接头																														
EN part name	Injector connector																														
RU part name	инжектор совместных																														
Size:mm	120*7*7																														
Weight:kg	0.1																														
NO.	<b>NO.25-6</b>																														
Remarks: weichai WP10 WP12		Remarks: weichai WP10 WP12																													
	<table border="1"> <tr><td>Part No.</td><td>612600080383</td></tr> <tr><td>CH part name</td><td>六角头螺栓</td></tr> <tr><td>EN part name</td><td>Hexagon headed bolt</td></tr> <tr><td>RU part name</td><td>шестигранный болт</td></tr> <tr><td>Size:mm</td><td></td></tr> <tr><td>Weight:kg</td><td></td></tr> <tr><td>NO.</td><td><b>NO.25-9</b></td></tr> </table>	Part No.	612600080383	CH part name	六角头螺栓	EN part name	Hexagon headed bolt	RU part name	шестигранный болт	Size:mm		Weight:kg		NO.	<b>NO.25-9</b>		<table border="1"> <tr><td>Part No.</td><td>90011350017</td></tr> <tr><td>CH part name</td><td>六角头螺栓</td></tr> <tr><td>EN part name</td><td>Hexagon headed bolt</td></tr> <tr><td>RU part name</td><td>шестигранный болт</td></tr> <tr><td>Size:mm</td><td></td></tr> <tr><td>Weight:kg</td><td></td></tr> <tr><td>NO.</td><td><b>NO.25-4</b></td></tr> </table>	Part No.	90011350017	CH part name	六角头螺栓	EN part name	Hexagon headed bolt	RU part name	шестигранный болт	Size:mm		Weight:kg		NO.	<b>NO.25-4</b>
Part No.	612600080383																														
CH part name	六角头螺栓																														
EN part name	Hexagon headed bolt																														
RU part name	шестигранный болт																														
Size:mm																															
Weight:kg																															
NO.	<b>NO.25-9</b>																														
Part No.	90011350017																														
CH part name	六角头螺栓																														
EN part name	Hexagon headed bolt																														
RU part name	шестигранный болт																														
Size:mm																															
Weight:kg																															
NO.	<b>NO.25-4</b>																														
Remarks: weichai WD12 WD615		Remarks: weichai WP10 WP12																													



# SHACMAN(1)

fuel system/Oil Pipe Components		NO.26	
	KD0431		
			
	Part No.	612600083079	
	CH part name	六角头螺栓	
	EN part name	Hexagon headed bolt	
	RU part name	шестигранный болт	
	Size:mm		
	Weight:kg		
	NO.	<b>NO.25-9</b>	
	Remarks: weichai WD618 WD12		
	KD0432		
			
	Part No.	612600081954	
	CH part name	喷油器垫片	
	EN part name	Fuel Injector Gasket	
	RU part name	прокладка форсунки	
	Size:mm		
	Weight:kg		
	NO.	<b>NO.25-11</b>	
	Remarks: weichai WD615 WD12 WD618		
KD0433			
	Part No.	612630080038	
	CH part name	共轨管	
	EN part name	Common Rail pipe	
	RU part name	Топливораспределитель	
	Size:mm	400*70*45	
	Weight:kg	0.78	
	NO.	<b>NO.26-6</b>	
	Remarks: weichai WP10 WP12		
KD0434			
	Part No.	612650080021	
	CH part name	高压油管总成	
	EN part name	High pressure tubing assembly	
	RU part name	шланг высокого давления	
	Size:mm		
	Weight:kg	0.45	
	NO.	<b>NO.26-1</b>	
	Remarks: weichai WP10		
KD0435			
	Part No.	612650080028	
	CH part name	高压油管总成	
	EN part name	High pressure tubing assembly	
	RU part name	шланг высокого давления	
	Size:mm		
	Weight:kg	0.5	
	NO.	<b>NO.26-3</b>	
	Remarks: weichai WP10 612600080639		
KD0436			
	Part No.	612650080018	
	CH part name	高压油管总成	
	EN part name	High pressure tubing assembly	
	RU part name	шланг высокого давления	
	Size:mm		
	Weight:kg		
	NO.	<b>NO.26-2</b>	
	Remarks: weichai WP10		

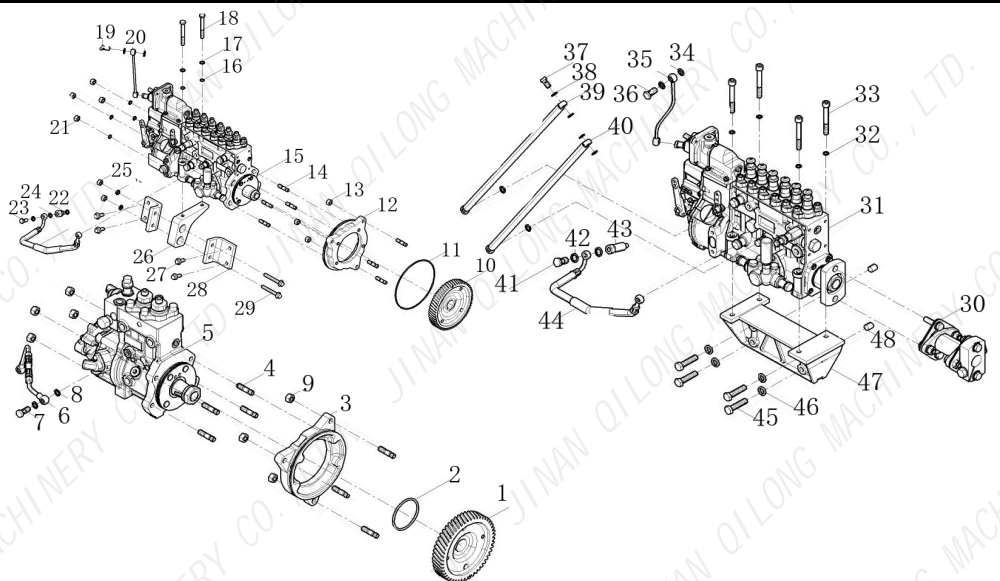






# SHACMAN(1)

	<table border="1"> <tr><td>Part No.</td><td>612650080029</td></tr> <tr><td>CH part name</td><td>高压油管总成</td></tr> <tr><td>EN part name</td><td>High pressure tubing assembly</td></tr> <tr><td>RU part name</td><td>шланг высокого давления</td></tr> <tr><td>Size:mm</td><td></td></tr> <tr><td>Weight:kg</td><td>0.5</td></tr> <tr><td>NO.</td><td><b>NO.26-5</b></td></tr> </table>	Part No.	612650080029	CH part name	高压油管总成	EN part name	High pressure tubing assembly	RU part name	шланг высокого давления	Size:mm		Weight:kg	0.5	NO.	<b>NO.26-5</b>		<table border="1"> <tr><td>Part No.</td><td>612630080083</td></tr> <tr><td>CH part name</td><td>高压油管总成</td></tr> <tr><td>EN part name</td><td>High pressure tubing assembly</td></tr> <tr><td>RU part name</td><td>шланг высокого давления</td></tr> <tr><td>Size:mm</td><td></td></tr> <tr><td>Weight:kg</td><td>0.5</td></tr> <tr><td>NO.</td><td><b>NO.26-9</b></td></tr> </table>	Part No.	612630080083	CH part name	高压油管总成	EN part name	High pressure tubing assembly	RU part name	шланг высокого давления	Size:mm		Weight:kg	0.5	NO.	<b>NO.26-9</b>
Part No.	612650080029																														
CH part name	高压油管总成																														
EN part name	High pressure tubing assembly																														
RU part name	шланг высокого давления																														
Size:mm																															
Weight:kg	0.5																														
NO.	<b>NO.26-5</b>																														
Part No.	612630080083																														
CH part name	高压油管总成																														
EN part name	High pressure tubing assembly																														
RU part name	шланг высокого давления																														
Size:mm																															
Weight:kg	0.5																														
NO.	<b>NO.26-9</b>																														
Remarks: weichai WP10 612600080640		Remarks: weichai WP12.375 1000264695 612630080004 612630080005																													
	<table border="1"> <tr><td>Part No.</td><td>612630080036</td></tr> <tr><td>CH part name</td><td>高压油管总成</td></tr> <tr><td>EN part name</td><td>High pressure tubing assembly</td></tr> <tr><td>RU part name</td><td>шланг высокого давления</td></tr> <tr><td>Size:mm</td><td></td></tr> <tr><td>Weight:kg</td><td>0.43</td></tr> <tr><td>NO.</td><td><b>NO.26-7</b></td></tr> </table>	Part No.	612630080036	CH part name	高压油管总成	EN part name	High pressure tubing assembly	RU part name	шланг высокого давления	Size:mm		Weight:kg	0.43	NO.	<b>NO.26-7</b>		<table border="1"> <tr><td>Part No.</td><td>612630080037</td></tr> <tr><td>CH part name</td><td>高压油管总成</td></tr> <tr><td>EN part name</td><td>High pressure tubing assembly</td></tr> <tr><td>RU part name</td><td>шланг высокого давления</td></tr> <tr><td>Size:mm</td><td></td></tr> <tr><td>Weight:kg</td><td>0.43</td></tr> <tr><td>NO.</td><td><b>NO.26-8</b></td></tr> </table>	Part No.	612630080037	CH part name	高压油管总成	EN part name	High pressure tubing assembly	RU part name	шланг высокого давления	Size:mm		Weight:kg	0.43	NO.	<b>NO.26-8</b>
Part No.	612630080036																														
CH part name	高压油管总成																														
EN part name	High pressure tubing assembly																														
RU part name	шланг высокого давления																														
Size:mm																															
Weight:kg	0.43																														
NO.	<b>NO.26-7</b>																														
Part No.	612630080037																														
CH part name	高压油管总成																														
EN part name	High pressure tubing assembly																														
RU part name	шланг высокого давления																														
Size:mm																															
Weight:kg	0.43																														
NO.	<b>NO.26-8</b>																														
Remarks: weichai WP12.375 1000101611		Remarks: weichai WP12.375 1000101614																													
	<table border="1"> <tr><td>Part No.</td><td>612600082332</td></tr> <tr><td>CH part name</td><td>高压油管总成</td></tr> <tr><td>EN part name</td><td>Injection pipe</td></tr> <tr><td>RU part name</td><td>Комплект топливных трубопроводов</td></tr> <tr><td>Size:mm</td><td></td></tr> <tr><td>Weight:kg</td><td>1.5</td></tr> <tr><td>NO.</td><td><b>NO.26-10</b></td></tr> </table>	Part No.	612600082332	CH part name	高压油管总成	EN part name	Injection pipe	RU part name	Комплект топливных трубопроводов	Size:mm		Weight:kg	1.5	NO.	<b>NO.26-10</b>		<table border="1"> <tr><td>Part No.</td><td>612600080914</td></tr> <tr><td>CH part name</td><td>高压油管总成</td></tr> <tr><td>EN part name</td><td>Injection pipe</td></tr> <tr><td>RU part name</td><td>Комплект топливных трубопроводов</td></tr> <tr><td>Size:mm</td><td>420*250*50</td></tr> <tr><td>Weight:kg</td><td>1.55</td></tr> <tr><td>NO.</td><td><b>NO.26-11</b></td></tr> </table>	Part No.	612600080914	CH part name	高压油管总成	EN part name	Injection pipe	RU part name	Комплект топливных трубопроводов	Size:mm	420*250*50	Weight:kg	1.55	NO.	<b>NO.26-11</b>
Part No.	612600082332																														
CH part name	高压油管总成																														
EN part name	Injection pipe																														
RU part name	Комплект топливных трубопроводов																														
Size:mm																															
Weight:kg	1.5																														
NO.	<b>NO.26-10</b>																														
Part No.	612600080914																														
CH part name	高压油管总成																														
EN part name	Injection pipe																														
RU part name	Комплект топливных трубопроводов																														
Size:mm	420*250*50																														
Weight:kg	1.55																														
NO.	<b>NO.26-11</b>																														
Remarks: weichai WD618 WD12		Remarks: weichai WD615																													
	<table border="1"> <tr><td>Part No.</td><td>612640080004</td></tr> <tr><td>CH part name</td><td>电控单元</td></tr> <tr><td>EN part name</td><td>control unit</td></tr> <tr><td>RU part name</td><td>блока управления</td></tr> <tr><td>Size:mm</td><td>200*150*50</td></tr> <tr><td>Weight:kg</td><td>2.1</td></tr> <tr><td>NO.</td><td><b>NO.27-1</b></td></tr> </table>	Part No.	612640080004	CH part name	电控单元	EN part name	control unit	RU part name	блока управления	Size:mm	200*150*50	Weight:kg	2.1	NO.	<b>NO.27-1</b>		<table border="1"> <tr><td>Part No.</td><td>612630080007</td></tr> <tr><td>CH part name</td><td>电控单元</td></tr> <tr><td>EN part name</td><td>control unit</td></tr> <tr><td>RU part name</td><td>блока управления</td></tr> <tr><td>Size:mm</td><td>200*150*50</td></tr> <tr><td>Weight:kg</td><td>2.1</td></tr> <tr><td>NO.</td><td><b>NO.27-7</b></td></tr> </table>	Part No.	612630080007	CH part name	电控单元	EN part name	control unit	RU part name	блока управления	Size:mm	200*150*50	Weight:kg	2.1	NO.	<b>NO.27-7</b>
Part No.	612640080004																														
CH part name	电控单元																														
EN part name	control unit																														
RU part name	блока управления																														
Size:mm	200*150*50																														
Weight:kg	2.1																														
NO.	<b>NO.27-1</b>																														
Part No.	612630080007																														
CH part name	电控单元																														
EN part name	control unit																														
RU part name	блока управления																														
Size:mm	200*150*50																														
Weight:kg	2.1																														
NO.	<b>NO.27-7</b>																														
Remarks: weichai WP10		Remarks: weichai WP12 612630080110																													

# SHACMAN(1)

fuel system/Common rail and fuel oil filter		NO.27	
	KD0445		
	Part No.	612600080661	
	CH part name	共轨管支架	
	EN part name	Common rail tube support	
	RU part name	кронштейн	
	Size:mm		
	Weight:kg		
	NO.	<b>NO.27-6</b>	
	Remarks: weichai WP10		
KD0446			
Part No.	1000495963		
CH part name	燃油粗滤芯		
EN part name	Crude oil filter core		
RU part name	фильтр топливный		
Size:mm			
Weight:kg	1.1		
NO.	<b>NO.27-15</b>		
Remarks: weichai WP10			
KD0447			
Part No.	612630080373		
CH part name	水杯总成		
EN part name	Cup assembly		
RU part name	Кубок компонент		
Size:mm			
Weight:kg			
NO.	<b>NO.27-17</b>		
Remarks: weichai WP10			
KD0448			
Part No.	612630080371		
CH part name	滤座组件		
EN part name	Filter seat assembly		
RU part name	фильтр компонента сиденья		
Size:mm			
Weight:kg	0.21		
NO.	<b>NO.27-10</b>		
Remarks: weichai WP10 WP12			
KD0449			
Part No.	612630080556		
CH part name	水杯密封圈		
EN part name	Water cup seal ring		
RU part name	уплотнительное кольцо		
Size:mm			
Weight:kg	0.001		
NO.	<b>NO.27-16</b>		
Remarks: weichai WP10 WP12			
KD0450			
Part No.	1000422383		
CH part name	燃油粗滤芯		
EN part name	Crude oil filter core		
RU part name	фильтр топливный		
Size:mm			
Weight:kg	1.1		
NO.	<b>NO.27-11</b>		
Remarks: weichai WP12			






# SHACMAN(1)

fuel system/High pressure oil pump		NO.28	
	KD0451		
			
	Part No.	612630080555	
	CH part name	水杯组件	
	EN part name	Cup assembly	
	RU part name	Кубок компонент	
	Size:mm		
	Weight:kg		
	NO.	NO.27-13	
	Remarks: weichai WP12		
KD0452			
			
Part No.	612630030057		
CH part name	共轨喷油泵		
EN part name	Common rail fuel injection pump		
RU part name	насос впрыска		
Size:mm	320*180*280		
Weight:kg	13.5		
NO.	NO.28-5		
Remarks: weichai WP12			
KD0453			
			
Part No.	612601080207		
CH part name	喷油泵总成		
EN part name	Fuel injection pump assembly		
RU part name	насос для впрыска топлива		
Size:mm	500*300*500		
Weight:kg	22.65		
NO.	NO.28-31		
Remarks: weichai WD615.69			
KD0454			
			
Part No.	612640080015		
CH part name	共轨喷油泵		
EN part name	Common rail fuel injection pump		
RU part name	насос впрыска		
Size:mm	320*180*280		
Weight:kg	13.5		
NO.	NO.28-5		
Remarks: weichai WP10 612600080674			
KD0455			
			
Part No.	612600081227		
CH part name	喷油泵总成		
EN part name	Fuel injection pump assembly		
RU part name	насос для впрыска топлива		
Size:mm	460*300*200		
Weight:kg	22.73		
NO.	NO.28-31		
Remarks: weichai WD618 WD12			
KD0456			
			
Part No.	612630030026		
CH part name	喷油泵齿轮		
EN part name	fuel injection pump gear		
RU part name	насос лова		
Size:mm			
Weight:kg	1.68		
NO.	NO.28-1		
Remarks: weichai WP12			









# SHACMAN(1)

	<table border="1"> <tr><td>Part No.</td><td>612600081893</td></tr> <tr><td>CH part name</td><td>喷油泵齿轮</td></tr> <tr><td>EN part name</td><td>fuel injection pump gear</td></tr> <tr><td>RU part name</td><td>насос лова</td></tr> <tr><td>Size:mm</td><td></td></tr> <tr><td>Weight:kg</td><td>1.9</td></tr> <tr><td>NO.</td><td><b>NO.28-1</b></td></tr> </table>	Part No.	612600081893	CH part name	喷油泵齿轮	EN part name	fuel injection pump gear	RU part name	насос лова	Size:mm		Weight:kg	1.9	NO.	<b>NO.28-1</b>		<table border="1"> <tr><td>Part No.</td><td>612600080452</td></tr> <tr><td>CH part name</td><td>喷油泵齿轮</td></tr> <tr><td>EN part name</td><td>fuel injection pump gear</td></tr> <tr><td>RU part name</td><td>насос лова</td></tr> <tr><td>Size:mm</td><td></td></tr> <tr><td>Weight:kg</td><td>1.9</td></tr> <tr><td>NO.</td><td><b>NO.28-1</b></td></tr> </table>	Part No.	612600080452	CH part name	喷油泵齿轮	EN part name	fuel injection pump gear	RU part name	насос лова	Size:mm		Weight:kg	1.9	NO.	<b>NO.28-1</b>
Part No.	612600081893																														
CH part name	喷油泵齿轮																														
EN part name	fuel injection pump gear																														
RU part name	насос лова																														
Size:mm																															
Weight:kg	1.9																														
NO.	<b>NO.28-1</b>																														
Part No.	612600080452																														
CH part name	喷油泵齿轮																														
EN part name	fuel injection pump gear																														
RU part name	насос лова																														
Size:mm																															
Weight:kg	1.9																														
NO.	<b>NO.28-1</b>																														
Remarks: weichai WD618 WD12		Remarks: weichai WP10																													
	<table border="1"> <tr><td>Part No.</td><td>612630030044</td></tr> <tr><td>CH part name</td><td>O型密封圈</td></tr> <tr><td>EN part name</td><td>O seal ring</td></tr> <tr><td>RU part name</td><td>O - кольцо</td></tr> <tr><td>Size:mm</td><td></td></tr> <tr><td>Weight:kg</td><td>0.01</td></tr> <tr><td>NO.</td><td><b>NO.28-2</b></td></tr> </table>	Part No.	612630030044	CH part name	O型密封圈	EN part name	O seal ring	RU part name	O - кольцо	Size:mm		Weight:kg	0.01	NO.	<b>NO.28-2</b>		<table border="1"> <tr><td>Part No.</td><td>612600080400</td></tr> <tr><td>CH part name</td><td>O型密封圈</td></tr> <tr><td>EN part name</td><td>O seal ring</td></tr> <tr><td>RU part name</td><td>O - кольцо</td></tr> <tr><td>Size:mm</td><td></td></tr> <tr><td>Weight:kg</td><td>0.01</td></tr> <tr><td>NO.</td><td><b>NO.28-2</b></td></tr> </table>	Part No.	612600080400	CH part name	O型密封圈	EN part name	O seal ring	RU part name	O - кольцо	Size:mm		Weight:kg	0.01	NO.	<b>NO.28-2</b>
Part No.	612630030044																														
CH part name	O型密封圈																														
EN part name	O seal ring																														
RU part name	O - кольцо																														
Size:mm																															
Weight:kg	0.01																														
NO.	<b>NO.28-2</b>																														
Part No.	612600080400																														
CH part name	O型密封圈																														
EN part name	O seal ring																														
RU part name	O - кольцо																														
Size:mm																															
Weight:kg	0.01																														
NO.	<b>NO.28-2</b>																														
Remarks: weichai WP12		Remarks: weichai WP10																													
	<table border="1"> <tr><td>Part No.</td><td>90003120088</td></tr> <tr><td>CH part name</td><td>O型密封圈</td></tr> <tr><td>EN part name</td><td>O seal ring</td></tr> <tr><td>RU part name</td><td>O - кольцо</td></tr> <tr><td>Size:mm</td><td></td></tr> <tr><td>Weight:kg</td><td>0.01</td></tr> <tr><td>NO.</td><td><b>NO.28-11</b></td></tr> </table>	Part No.	90003120088	CH part name	O型密封圈	EN part name	O seal ring	RU part name	O - кольцо	Size:mm		Weight:kg	0.01	NO.	<b>NO.28-11</b>		<table border="1"> <tr><td>Part No.</td><td>612600083300</td></tr> <tr><td>CH part name</td><td>O型密封圈</td></tr> <tr><td>EN part name</td><td>O seal ring</td></tr> <tr><td>RU part name</td><td>O - кольцо</td></tr> <tr><td>Size:mm</td><td></td></tr> <tr><td>Weight:kg</td><td>0.01</td></tr> <tr><td>NO.</td><td><b>NO.28-11</b></td></tr> </table>	Part No.	612600083300	CH part name	O型密封圈	EN part name	O seal ring	RU part name	O - кольцо	Size:mm		Weight:kg	0.01	NO.	<b>NO.28-11</b>
Part No.	90003120088																														
CH part name	O型密封圈																														
EN part name	O seal ring																														
RU part name	O - кольцо																														
Size:mm																															
Weight:kg	0.01																														
NO.	<b>NO.28-11</b>																														
Part No.	612600083300																														
CH part name	O型密封圈																														
EN part name	O seal ring																														
RU part name	O - кольцо																														
Size:mm																															
Weight:kg	0.01																														
NO.	<b>NO.28-11</b>																														
Remarks: weichai WD618		Remarks: weichai WD12																													
	<table border="1"> <tr><td>Part No.</td><td>612630030023</td></tr> <tr><td>CH part name</td><td>喷油泵法兰</td></tr> <tr><td>EN part name</td><td>Fuel injection pump flange</td></tr> <tr><td>RU part name</td><td>фланец</td></tr> <tr><td>Size:mm</td><td></td></tr> <tr><td>Weight:kg</td><td>1.15</td></tr> <tr><td>NO.</td><td><b>NO.28-3</b></td></tr> </table>	Part No.	612630030023	CH part name	喷油泵法兰	EN part name	Fuel injection pump flange	RU part name	фланец	Size:mm		Weight:kg	1.15	NO.	<b>NO.28-3</b>		<table border="1"> <tr><td>Part No.</td><td>612600080486</td></tr> <tr><td>CH part name</td><td>喷油泵法兰</td></tr> <tr><td>EN part name</td><td>Fuel injection pump flange</td></tr> <tr><td>RU part name</td><td>фланец</td></tr> <tr><td>Size:mm</td><td></td></tr> <tr><td>Weight:kg</td><td>1.15</td></tr> <tr><td>NO.</td><td><b>NO.28-3</b></td></tr> </table>	Part No.	612600080486	CH part name	喷油泵法兰	EN part name	Fuel injection pump flange	RU part name	фланец	Size:mm		Weight:kg	1.15	NO.	<b>NO.28-3</b>
Part No.	612630030023																														
CH part name	喷油泵法兰																														
EN part name	Fuel injection pump flange																														
RU part name	фланец																														
Size:mm																															
Weight:kg	1.15																														
NO.	<b>NO.28-3</b>																														
Part No.	612600080486																														
CH part name	喷油泵法兰																														
EN part name	Fuel injection pump flange																														
RU part name	фланец																														
Size:mm																															
Weight:kg	1.15																														
NO.	<b>NO.28-3</b>																														
Remarks: weichai WP12 1000982525		Remarks: weichai WP10																													

# SHACMAN(1)

	<table border="1"> <tr><td>Part No.</td><td>612600070309</td></tr> <tr><td>CH part name</td><td>喷油泵润滑油管总成</td></tr> <tr><td>EN part name</td><td>Fuel injection pump lube tubing assembly</td></tr> <tr><td>RU part name</td><td>малярная магистраль</td></tr> <tr><td>Size:mm</td><td></td></tr> <tr><td>Weight:kg</td><td>0.5</td></tr> <tr><td>NO.</td><td><b>NO.28-6</b></td></tr> </table>	Part No.	612600070309	CH part name	喷油泵润滑油管总成	EN part name	Fuel injection pump lube tubing assembly	RU part name	малярная магистраль	Size:mm		Weight:kg	0.5	NO.	<b>NO.28-6</b>		<table border="1"> <tr><td>Part No.</td><td>612600083299</td></tr> <tr><td>CH part name</td><td>喷油泵法兰</td></tr> <tr><td>EN part name</td><td>Fuel injection pump flange</td></tr> <tr><td>RU part name</td><td>фланец</td></tr> <tr><td>Size:mm</td><td></td></tr> <tr><td>Weight:kg</td><td>1.15</td></tr> <tr><td>NO.</td><td><b>NO.28-12</b></td></tr> </table>	Part No.	612600083299	CH part name	喷油泵法兰	EN part name	Fuel injection pump flange	RU part name	фланец	Size:mm		Weight:kg	1.15	NO.	<b>NO.28-12</b>
Part No.	612600070309																														
CH part name	喷油泵润滑油管总成																														
EN part name	Fuel injection pump lube tubing assembly																														
RU part name	малярная магистраль																														
Size:mm																															
Weight:kg	0.5																														
NO.	<b>NO.28-6</b>																														
Part No.	612600083299																														
CH part name	喷油泵法兰																														
EN part name	Fuel injection pump flange																														
RU part name	фланец																														
Size:mm																															
Weight:kg	1.15																														
NO.	<b>NO.28-12</b>																														
Remarks: weichai WP10		Remarks: weichai WD12																													
	<table border="1"> <tr><td>Part No.</td><td>612630030311</td></tr> <tr><td>CH part name</td><td>喷油泵润滑油管总成</td></tr> <tr><td>EN part name</td><td>Fuel injection pump lube tubing assembly</td></tr> <tr><td>RU part name</td><td>малярная магистраль</td></tr> <tr><td>Size:mm</td><td></td></tr> <tr><td>Weight:kg</td><td>0.5</td></tr> <tr><td>NO.</td><td><b>NO.28-6</b></td></tr> </table>	Part No.	612630030311	CH part name	喷油泵润滑油管总成	EN part name	Fuel injection pump lube tubing assembly	RU part name	малярная магистраль	Size:mm		Weight:kg	0.5	NO.	<b>NO.28-6</b>		<table border="1"> <tr><td>Part No.</td><td>612600082319</td></tr> <tr><td>CH part name</td><td>喷油泵法兰</td></tr> <tr><td>EN part name</td><td>Fuel injection pump flange</td></tr> <tr><td>RU part name</td><td>фланец</td></tr> <tr><td>Size:mm</td><td></td></tr> <tr><td>Weight:kg</td><td>1.15</td></tr> <tr><td>NO.</td><td><b>NO.28-12</b></td></tr> </table>	Part No.	612600082319	CH part name	喷油泵法兰	EN part name	Fuel injection pump flange	RU part name	фланец	Size:mm		Weight:kg	1.15	NO.	<b>NO.28-12</b>
Part No.	612630030311																														
CH part name	喷油泵润滑油管总成																														
EN part name	Fuel injection pump lube tubing assembly																														
RU part name	малярная магистраль																														
Size:mm																															
Weight:kg	0.5																														
NO.	<b>NO.28-6</b>																														
Part No.	612600082319																														
CH part name	喷油泵法兰																														
EN part name	Fuel injection pump flange																														
RU part name	фланец																														
Size:mm																															
Weight:kg	1.15																														
NO.	<b>NO.28-12</b>																														
Remarks: weichai WP12		Remarks: weichai WD618																													
	<table border="1"> <tr><td>Part No.</td><td>AZ1560070025</td></tr> <tr><td>CH part name</td><td>润滑油回油管总成</td></tr> <tr><td>EN part name</td><td>Fuel injection pump lube tubing assembly</td></tr> <tr><td>RU part name</td><td>малярная магистраль</td></tr> <tr><td>Size:mm</td><td>420*80*13</td></tr> <tr><td>Weight:kg</td><td>0.1</td></tr> <tr><td>NO.</td><td><b>NO.28-44</b></td></tr> </table>	Part No.	AZ1560070025	CH part name	润滑油回油管总成	EN part name	Fuel injection pump lube tubing assembly	RU part name	малярная магистраль	Size:mm	420*80*13	Weight:kg	0.1	NO.	<b>NO.28-44</b>		<table border="1"> <tr><td>Part No.</td><td>612600081470</td></tr> <tr><td>CH part name</td><td>润滑油回油管总成</td></tr> <tr><td>EN part name</td><td>Fuel injection pump lube tubing assembly</td></tr> <tr><td>RU part name</td><td>малярная магистраль</td></tr> <tr><td>Size:mm</td><td></td></tr> <tr><td>Weight:kg</td><td>0.21</td></tr> <tr><td>NO.</td><td><b>NO.28-24</b></td></tr> </table>	Part No.	612600081470	CH part name	润滑油回油管总成	EN part name	Fuel injection pump lube tubing assembly	RU part name	малярная магистраль	Size:mm		Weight:kg	0.21	NO.	<b>NO.28-24</b>
Part No.	AZ1560070025																														
CH part name	润滑油回油管总成																														
EN part name	Fuel injection pump lube tubing assembly																														
RU part name	малярная магистраль																														
Size:mm	420*80*13																														
Weight:kg	0.1																														
NO.	<b>NO.28-44</b>																														
Part No.	612600081470																														
CH part name	润滑油回油管总成																														
EN part name	Fuel injection pump lube tubing assembly																														
RU part name	малярная магистраль																														
Size:mm																															
Weight:kg	0.21																														
NO.	<b>NO.28-24</b>																														
Remarks: weichai WD615		Remarks: weichai WD618 WD12																													
	<table border="1"> <tr><td>Part No.</td><td>61560080284</td></tr> <tr><td>CH part name</td><td>空气管总成</td></tr> <tr><td>EN part name</td><td>Air tube assembly</td></tr> <tr><td>RU part name</td><td>воздушный шланг</td></tr> <tr><td>Size:mm</td><td></td></tr> <tr><td>Weight:kg</td><td>0.01</td></tr> <tr><td>NO.</td><td><b>NO.28-20</b></td></tr> </table>	Part No.	61560080284	CH part name	空气管总成	EN part name	Air tube assembly	RU part name	воздушный шланг	Size:mm		Weight:kg	0.01	NO.	<b>NO.28-20</b>		<table border="1"> <tr><td>Part No.</td><td>61560080159</td></tr> <tr><td>CH part name</td><td>空气管总成</td></tr> <tr><td>EN part name</td><td>Air tube assembly</td></tr> <tr><td>RU part name</td><td>воздушный шланг</td></tr> <tr><td>Size:mm</td><td></td></tr> <tr><td>Weight:kg</td><td>0.01</td></tr> <tr><td>NO.</td><td><b>NO.28-20</b></td></tr> </table>	Part No.	61560080159	CH part name	空气管总成	EN part name	Air tube assembly	RU part name	воздушный шланг	Size:mm		Weight:kg	0.01	NO.	<b>NO.28-20</b>
Part No.	61560080284																														
CH part name	空气管总成																														
EN part name	Air tube assembly																														
RU part name	воздушный шланг																														
Size:mm																															
Weight:kg	0.01																														
NO.	<b>NO.28-20</b>																														
Part No.	61560080159																														
CH part name	空气管总成																														
EN part name	Air tube assembly																														
RU part name	воздушный шланг																														
Size:mm																															
Weight:kg	0.01																														
NO.	<b>NO.28-20</b>																														
Remarks: weichai WD615		Remarks: weichai WD618 WD12																													

# SHACMAN(1)

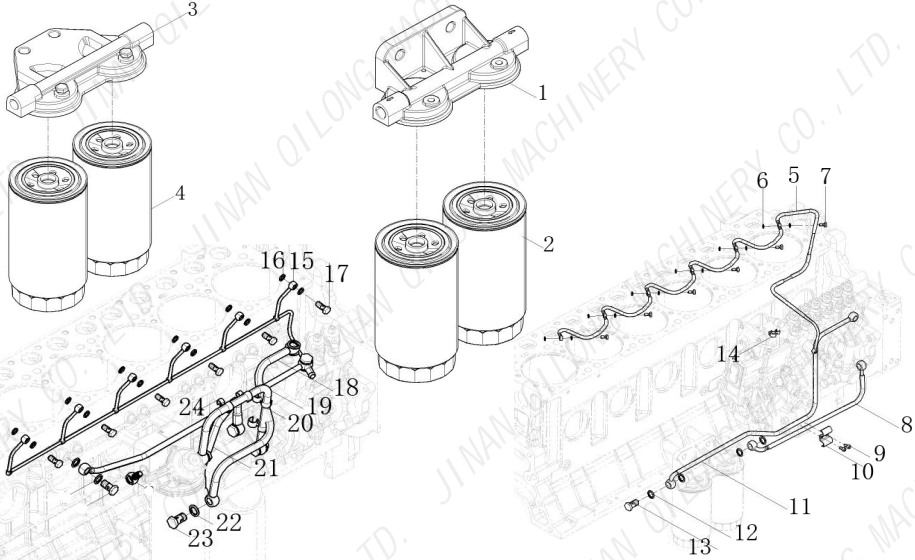

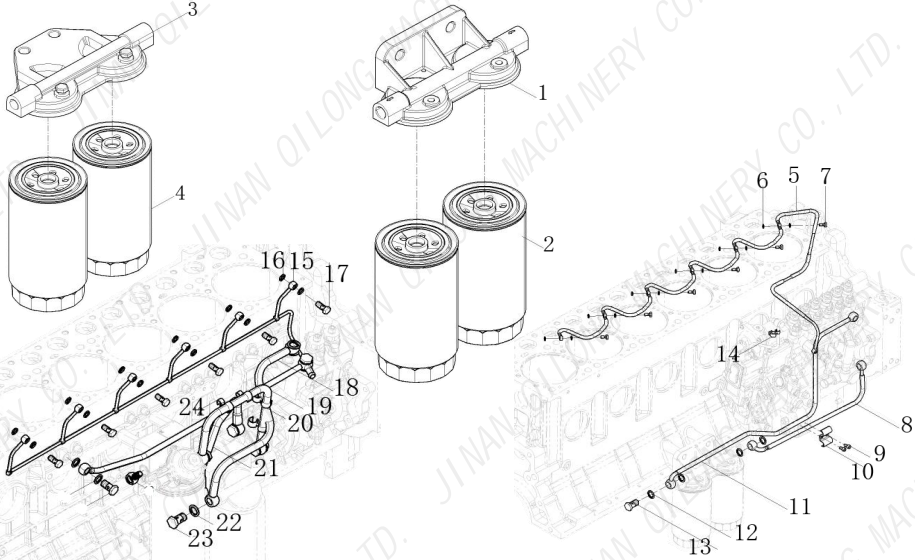



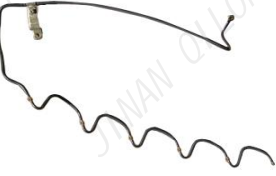
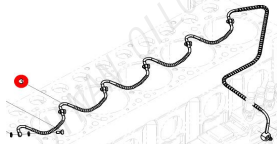
	<table border="1"> <tr><td>Part No.</td><td>612600081684</td></tr> <tr><td>CH part name</td><td>润滑油管总成</td></tr> <tr><td>EN part name</td><td>Fuel injection pump lube tubing assembly</td></tr> <tr><td>RU part name</td><td>масляная магистраль</td></tr> <tr><td>Size:mm</td><td></td></tr> <tr><td>Weight:kg</td><td>0.015</td></tr> <tr><td>NO.</td><td><b>NO.28-40</b></td></tr> </table>	Part No.	612600081684	CH part name	润滑油管总成	EN part name	Fuel injection pump lube tubing assembly	RU part name	масляная магистраль	Size:mm		Weight:kg	0.015	NO.	<b>NO.28-40</b>		<table border="1"> <tr><td>Part No.</td><td>61560070012A</td></tr> <tr><td>CH part name</td><td>润滑油管总成</td></tr> <tr><td>EN part name</td><td>Fuel injection pump lube tubing assembly</td></tr> <tr><td>RU part name</td><td>масляная магистраль</td></tr> <tr><td>Size:mm</td><td></td></tr> <tr><td>Weight:kg</td><td>0.22</td></tr> <tr><td>NO.</td><td><b>NO.28-39</b></td></tr> </table>	Part No.	61560070012A	CH part name	润滑油管总成	EN part name	Fuel injection pump lube tubing assembly	RU part name	масляная магистраль	Size:mm		Weight:kg	0.22	NO.	<b>NO.28-39</b>
Part No.	612600081684																														
CH part name	润滑油管总成																														
EN part name	Fuel injection pump lube tubing assembly																														
RU part name	масляная магистраль																														
Size:mm																															
Weight:kg	0.015																														
NO.	<b>NO.28-40</b>																														
Part No.	61560070012A																														
CH part name	润滑油管总成																														
EN part name	Fuel injection pump lube tubing assembly																														
RU part name	масляная магистраль																														
Size:mm																															
Weight:kg	0.22																														
NO.	<b>NO.28-39</b>																														
Remarks: weichai WD615		Remarks: weichai WD615																													
	<table border="1"> <tr><td>Part No.</td><td>612600080563</td></tr> <tr><td>CH part name</td><td>联轴器总成</td></tr> <tr><td>EN part name</td><td>Coupling assembly</td></tr> <tr><td>RU part name</td><td>фланец муфты компонент</td></tr> <tr><td>Size:mm</td><td></td></tr> <tr><td>Weight:kg</td><td>2.7</td></tr> <tr><td>NO.</td><td><b>NO.28-30</b></td></tr> </table>	Part No.	612600080563	CH part name	联轴器总成	EN part name	Coupling assembly	RU part name	фланец муфты компонент	Size:mm		Weight:kg	2.7	NO.	<b>NO.28-30</b>		<table border="1"> <tr><td>Part No.</td><td>61560080275</td></tr> <tr><td>CH part name</td><td>联轴器</td></tr> <tr><td>EN part name</td><td>Coupling flange fitting</td></tr> <tr><td>RU part name</td><td>Привод ТНВД в сборе</td></tr> <tr><td>Size:mm</td><td>210*124*124</td></tr> <tr><td>Weight:kg</td><td>2.7</td></tr> <tr><td>NO.</td><td><b>NO.28-30</b></td></tr> </table>	Part No.	61560080275	CH part name	联轴器	EN part name	Coupling flange fitting	RU part name	Привод ТНВД в сборе	Size:mm	210*124*124	Weight:kg	2.7	NO.	<b>NO.28-30</b>
Part No.	612600080563																														
CH part name	联轴器总成																														
EN part name	Coupling assembly																														
RU part name	фланец муфты компонент																														
Size:mm																															
Weight:kg	2.7																														
NO.	<b>NO.28-30</b>																														
Part No.	61560080275																														
CH part name	联轴器																														
EN part name	Coupling flange fitting																														
RU part name	Привод ТНВД в сборе																														
Size:mm	210*124*124																														
Weight:kg	2.7																														
NO.	<b>NO.28-30</b>																														
Remarks: weichai WD615		Remarks: weichai WD615																													
	<table border="1"> <tr><td>Part No.</td><td>614080074</td></tr> <tr><td>CH part name</td><td>燃油泵支架</td></tr> <tr><td>EN part name</td><td>Fuel pump bracket</td></tr> <tr><td>RU part name</td><td>кронштейн топливного насоса</td></tr> <tr><td>Size:mm</td><td></td></tr> <tr><td>Weight:kg</td><td>2.3</td></tr> <tr><td>NO.</td><td><b>NO.28-47</b></td></tr> </table>	Part No.	614080074	CH part name	燃油泵支架	EN part name	Fuel pump bracket	RU part name	кронштейн топливного насоса	Size:mm		Weight:kg	2.3	NO.	<b>NO.28-47</b>		<table border="1"> <tr><td>Part No.</td><td>61560080219</td></tr> <tr><td>CH part name</td><td>弹性连接片组</td></tr> <tr><td>EN part name</td><td>Flexible connection strap</td></tr> <tr><td>RU part name</td><td>Пластина регулировочного привода</td></tr> <tr><td>Size:mm</td><td>110*110*5</td></tr> <tr><td>Weight:kg</td><td>0.15</td></tr> <tr><td>NO.</td><td><b>NO.28-30</b></td></tr> </table>	Part No.	61560080219	CH part name	弹性连接片组	EN part name	Flexible connection strap	RU part name	Пластина регулировочного привода	Size:mm	110*110*5	Weight:kg	0.15	NO.	<b>NO.28-30</b>
Part No.	614080074																														
CH part name	燃油泵支架																														
EN part name	Fuel pump bracket																														
RU part name	кронштейн топливного насоса																														
Size:mm																															
Weight:kg	2.3																														
NO.	<b>NO.28-47</b>																														
Part No.	61560080219																														
CH part name	弹性连接片组																														
EN part name	Flexible connection strap																														
RU part name	Пластина регулировочного привода																														
Size:mm	110*110*5																														
Weight:kg	0.15																														
NO.	<b>NO.28-30</b>																														
Remarks: weichai WD615		Remarks: weichai WD615																													
	<table border="1"> <tr><td>Part No.</td><td>612600082956</td></tr> <tr><td>CH part name</td><td>喷油泵托架</td></tr> <tr><td>EN part name</td><td>Fuel Pump Bracket</td></tr> <tr><td>RU part name</td><td>насос впрыска кронштейн</td></tr> <tr><td>Size:mm</td><td></td></tr> <tr><td>Weight:kg</td><td>0.21</td></tr> <tr><td>NO.</td><td><b>NO.28-26</b></td></tr> </table>	Part No.	612600082956	CH part name	喷油泵托架	EN part name	Fuel Pump Bracket	RU part name	насос впрыска кронштейн	Size:mm		Weight:kg	0.21	NO.	<b>NO.28-26</b>		<table border="1"> <tr><td>Part No.</td><td>612630080264</td></tr> <tr><td>CH part name</td><td>燃油粗滤器</td></tr> <tr><td>EN part name</td><td>fuel preliminary filter</td></tr> <tr><td>RU part name</td><td>грубый фильтр топлива</td></tr> <tr><td>Size:mm</td><td></td></tr> <tr><td>Weight:kg</td><td>1.1</td></tr> <tr><td>NO.</td><td><b>NO.29-1</b></td></tr> </table>	Part No.	612630080264	CH part name	燃油粗滤器	EN part name	fuel preliminary filter	RU part name	грубый фильтр топлива	Size:mm		Weight:kg	1.1	NO.	<b>NO.29-1</b>
Part No.	612600082956																														
CH part name	喷油泵托架																														
EN part name	Fuel Pump Bracket																														
RU part name	насос впрыска кронштейн																														
Size:mm																															
Weight:kg	0.21																														
NO.	<b>NO.28-26</b>																														
Part No.	612630080264																														
CH part name	燃油粗滤器																														
EN part name	fuel preliminary filter																														
RU part name	грубый фильтр топлива																														
Size:mm																															
Weight:kg	1.1																														
NO.	<b>NO.29-1</b>																														
Remarks: weichai WD618 WD12		Remarks: weichai WP12																													

# SHACMAN(1)


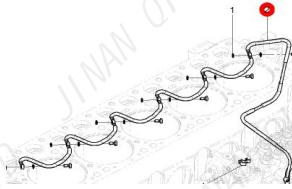






fuel system/Fuel filter module		NO.29	
	KD0481		
		Part No.	612630080011
		CH part name	精滤器芯
		EN part name	Fine filter
		RU part name	фильтр тонкой очистки
		Size:mm	
		Weight:kg	1.08
	NO.	<b>NO.29-2</b>	
	Remarks: weichai WP12		
	KD0482		
	Part No.	612600081333	
	CH part name	燃油滤清器	
	EN part name	Fuel filter	
	RU part name	фильтр топливный	
	Size:mm		
	Weight:kg	1.1	
NO.	<b>NO.29-17</b>		
Remarks: weichai WD615 WD618 WP10			
KD0483			
	Part No.	612600082647	
	CH part name	燃油滤清器	
	EN part name	Fuel filter	
	RU part name	фильтр топливный	
	Size:mm		
	Weight:kg	1.2	
	NO.	<b>NO.29-15</b>	
Remarks: weichai WD12.420			
KD0484			
	Part No.	61560080094	
	CH part name	燃油滤清器支架	
	EN part name	Fuel filter bracket	
	RU part name	топливный фильтр скобка	
	Size:mm		
	Weight:kg	1.05	
	NO.	<b>NO.29-18</b>	
Remarks: weichai WD615			
KD0485			
	Part No.	612630080010	
	CH part name	燃油滤清器支架	
	EN part name	Fuel filter bracket	
	RU part name	топливный фильтр скобка	
	Size:mm		
	Weight:kg	0.34	
	NO.	<b>NO.29-3</b>	
Remarks: weichai WP12			
KD0486			
	Part No.	612600082813	
	CH part name	燃油滤清器座	
	EN part name	Fuel filter seat	
	RU part name	топливный фильтр сиденья	
	Size:mm		
	Weight:kg	0.36	
	NO.	<b>NO.30-1</b>	
Remarks: weichai WD12			



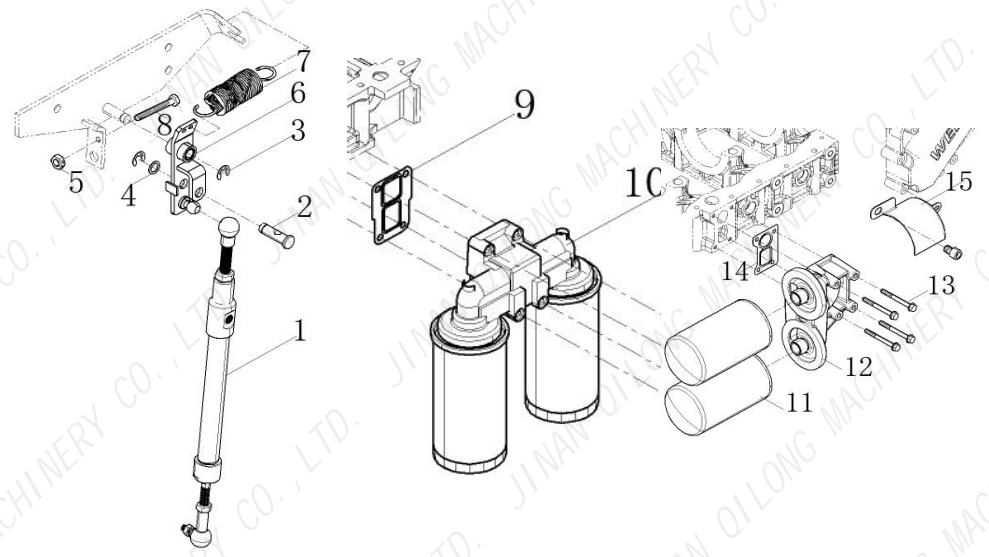






# SHACMAN(1)

fuel system/ Fuel filter / low pressure tubing		NO.30	
	KD0487		
		Part No.	612600082597
	CH part name	燃油滤清器座	
	EN part name	Fuel filter seat	
	RU part name	топливный фильтр сиденья	
	Size:mm		
	Weight:kg	0.34	
	NO.	<b>NO.30-3</b>	
Remarks: weichai WD618 WD615			
	KD0488		
		Part No.	612600081334
	CH part name	燃油滤清器滤芯	
	EN part name	Secondary fuel filter	
	RU part name	Фильтр топливный тонкой очистки	
	Size:mm	160*90*90	
	Weight:kg	0.6	
	NO.	<b>NO.30-4</b>	
Remarks: weichai WD12 WD618 WD615			
KD0489			
	Part No.	612630080026	
	CH part name	燃油回油管	
	EN part name	Oil return pipe	
	RU part name	Комплект откачивающей трубки	
	Size:mm		
	Weight:kg	0.15	
	NO.	<b>NO.30-15</b>	
Remarks: weichai WP12.375			
KD0490			
	Part No.	612650080049	
	CH part name	燃油回油管	
	EN part name	Oil return pipe	
	RU part name	Комплект откачивающей трубки	
	Size:mm	1650*50*10	
	Weight:kg	0.15	
	NO.	<b>NO.30-15</b>	
Remarks: weichai WP10 612600081329			
KD0491			
	Part No.	612600080597	
	CH part name	燃油回油管	
	EN part name	Oil return pipe	
	RU part name	Комплект откачивающей трубки	
	Size:mm		
	Weight:kg	0.15	
	NO.	<b>NO.30-5</b>	
Remarks: weichai WD615			
KD0492			
	Part No.	612600080784	
	CH part name	喷油器回油管总成	
	EN part name	Oil return pipe	
	RU part name	Комплект откачивающей трубки	
	Size:mm		
	Weight:kg	0.15	
	NO.	<b>NO.30-5</b>	
Remarks: weichai WD618			

# SHACMAN(1)

	KD0493 <b>Part No.</b> 612600081409 <b>CH part name</b> 燃油进油管总成 <b>EN part name</b> Fuel inlet pipe assembly <b>RU part name</b> входной трубы Ассамблеи <b>Size:mm</b> <b>Weight:kg</b> 0.21 <b>NO.</b> <b>NO.30-18</b>		KD0494 <b>Part No.</b> 612600083538 <b>CH part name</b> 喷油器回油管总成 <b>EN part name</b> Oil return pipe <b>RU part name</b> Комплект откачивающей трубки <b>Size:mm</b> <b>Weight:kg</b> 0.15 <b>NO.</b> <b>NO.30-5</b>
Remarks: weichai WP10		Remarks: weichai WD12	
	KD0495 <b>Part No.</b> AZ1560080018 <b>CH part name</b> 燃油管 <b>EN part name</b> Fuel pipe <b>RU part name</b> топливный шланг <b>Size:mm</b> <b>Weight:kg</b> 0.105 <b>NO.</b> <b>NO.30-8</b>		KD0496 <b>Part No.</b> 61800080062 <b>CH part name</b> 燃油管 <b>EN part name</b> Fuel pipe <b>RU part name</b> топливный шланг <b>Size:mm</b> <b>Weight:kg</b> 0.1 <b>NO.</b> <b>NO.30-11</b>
Remarks: weichai WD615		Remarks: weichai WD618 WD12 WP10	
	KD0497 <b>Part No.</b> 612600081410 <b>CH part name</b> 燃油进油管总成 <b>EN part name</b> Fuel inlet pipe assembly <b>RU part name</b> входной трубы Ассамблеи <b>Size:mm</b> <b>Weight:kg</b> 0.21 <b>NO.</b> <b>NO.30-19</b>		KD0498 <b>Part No.</b> AZ1560080017 <b>CH part name</b> 燃油管 <b>EN part name</b> Fuel pipe <b>RU part name</b> топливный шланг <b>Size:mm</b> <b>Weight:kg</b> 0.11 <b>NO.</b> <b>NO.30-19</b>
Remarks: weichai WP10		Remarks: weichai WD615	
	KD0499 <b>Part No.</b> 612600081860 <b>CH part name</b> 燃油管总成 <b>EN part name</b> Fuel pipe <b>RU part name</b> топливный шланг <b>Size:mm</b> <b>Weight:kg</b> 0.2 <b>NO.</b> <b>NO.30-11</b>		KD0500 <b>Part No.</b> 612600080623 <b>CH part name</b> 燃油进油管总成 <b>EN part name</b> Fuel inlet pipe assembly <b>RU part name</b> входной трубы Ассамблеи <b>Size:mm</b> <b>Weight:kg</b> 0.21 <b>NO.</b> <b>NO.30-21</b>
Remarks: weichai WD618 WD12 612600081281 WP10		Remarks: weichai WD10	

# SHACMAN(1)

lubrication system/ Oil filter		NO.31	
	KD0501		
			
	Part No.	612600080177	
	CH part name	废气制动停油缸	
	EN part name	Stop cylinder assembly	
	RU part name	Стопорный цилиндр	
	Size:mm		
	Weight:kg	0.23	
	NO.	<b>NO.31-1</b>	
	Remarks: weichai WD615 MQPs-35249D01		
KD0502			
			
Part No.	99100570086		
CH part name	杠杆总成		
EN part name	Lever assembly		
RU part name	рычаг в сборе		
Size:mm			
Weight:kg	0.32		
NO.	<b>NO.31-6</b>		
Remarks: weichai WD615			
KD0503			
			
Part No.	99100570065		
CH part name	拉力弹簧		
EN part name	Tension spring		
RU part name	пружина растяжения		
Size:mm			
Weight:kg	0.02		
NO.	<b>NO.31-7</b>		
Remarks: weichai WD615			
KD0504			
			
Part No.	1000424655		
CH part name	机油滤清器滤芯		
EN part name	Oil filter		
RU part name	Фильтр масляный		
Size:mm			
Weight:kg	0.81		
NO.	<b>NO.31-11</b>		
Remarks: weichai WP10			
KD0505			
			
Part No.	61000070005		
CH part name	旋装式机油滤清器		
EN part name	Oil filter		
RU part name	Фильтр масляный		
Size:mm	210*96		
Weight:kg	0.8		
NO.	<b>NO.31-11</b>		
Remarks: weichai WD615 WD618 WD12			
KD0506			
			
Part No.	612630010239		
CH part name	机油滤清器滤芯		
EN part name	Oil filter		
RU part name	Фильтр масляный		
Size:mm	210*120		
Weight:kg	0.95		
NO.	<b>NO.31-11</b>		
Remarks: weichai WP12			

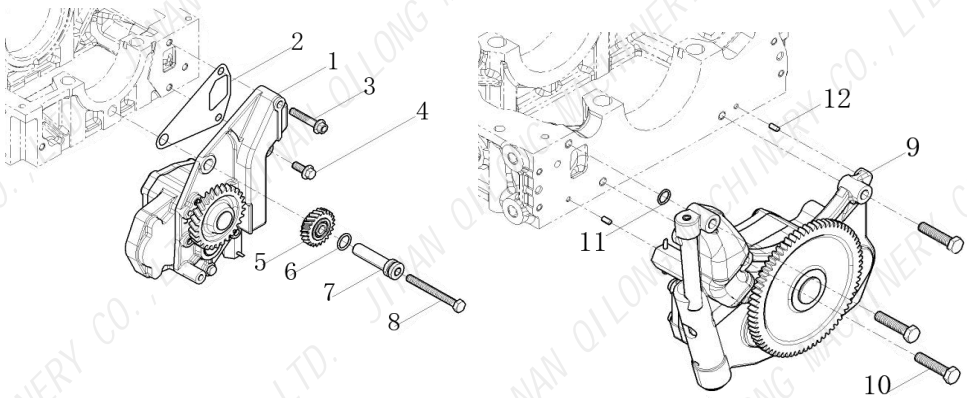

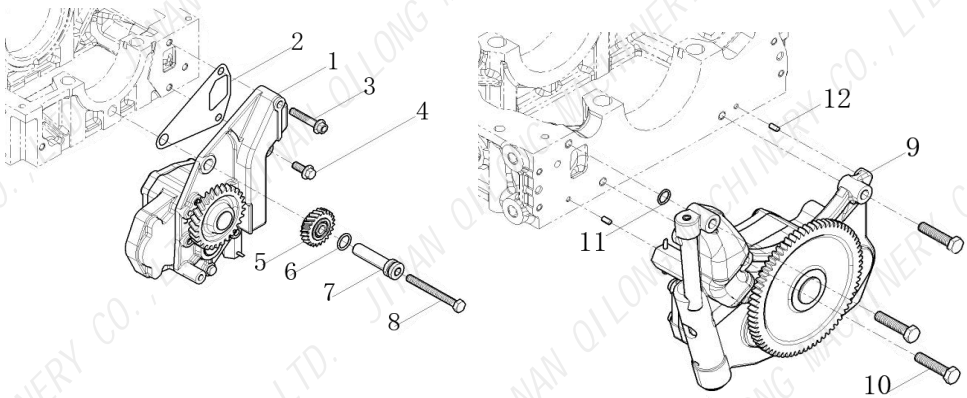





# SHACMAN(1)

	<table border="1"> <tr><td>Part No.</td><td>612600070347</td></tr> <tr><td>CH part name</td><td>机油滤清器总成</td></tr> <tr><td>EN part name</td><td>Oil filter assembly</td></tr> <tr><td>RU part name</td><td>фильтр масляный</td></tr> <tr><td>Size:mm</td><td></td></tr> <tr><td>Weight:kg</td><td>1.75</td></tr> <tr><td>NO.</td><td><b>NO.31-10</b></td></tr> </table>	Part No.	612600070347	CH part name	机油滤清器总成	EN part name	Oil filter assembly	RU part name	фильтр масляный	Size:mm		Weight:kg	1.75	NO.	<b>NO.31-10</b>		<table border="1"> <tr><td>Part No.</td><td>612600070343</td></tr> <tr><td>CH part name</td><td>滤清器底座组件</td></tr> <tr><td>EN part name</td><td>Filter base assembly</td></tr> <tr><td>RU part name</td><td>фильтр базы Ассамблеи</td></tr> <tr><td>Size:mm</td><td></td></tr> <tr><td>Weight:kg</td><td>0.65</td></tr> <tr><td>NO.</td><td><b>NO.31-12</b></td></tr> </table>	Part No.	612600070343	CH part name	滤清器底座组件	EN part name	Filter base assembly	RU part name	фильтр базы Ассамблеи	Size:mm		Weight:kg	0.65	NO.	<b>NO.31-12</b>
Part No.	612600070347																														
CH part name	机油滤清器总成																														
EN part name	Oil filter assembly																														
RU part name	фильтр масляный																														
Size:mm																															
Weight:kg	1.75																														
NO.	<b>NO.31-10</b>																														
Part No.	612600070343																														
CH part name	滤清器底座组件																														
EN part name	Filter base assembly																														
RU part name	фильтр базы Ассамблеи																														
Size:mm																															
Weight:kg	0.65																														
NO.	<b>NO.31-12</b>																														
Remarks: weichai WP10 WD618 WD12		Remarks: weichai WP10 WD618 WD12																													
	<table border="1"> <tr><td>Part No.</td><td>612600070350</td></tr> <tr><td>CH part name</td><td>机油滤清器总成</td></tr> <tr><td>EN part name</td><td>Oil filter assembly</td></tr> <tr><td>RU part name</td><td>фильтр масляный</td></tr> <tr><td>Size:mm</td><td></td></tr> <tr><td>Weight:kg</td><td>1.5</td></tr> <tr><td>NO.</td><td><b>NO.31-10</b></td></tr> </table>	Part No.	612600070350	CH part name	机油滤清器总成	EN part name	Oil filter assembly	RU part name	фильтр масляный	Size:mm		Weight:kg	1.5	NO.	<b>NO.31-10</b>		<table border="1"> <tr><td>Part No.</td><td>615G00070051</td></tr> <tr><td>CH part name</td><td>滤清器底座组件</td></tr> <tr><td>EN part name</td><td>Filter base assembly</td></tr> <tr><td>RU part name</td><td>фильтр базы Ассамблеи</td></tr> <tr><td>Size:mm</td><td></td></tr> <tr><td>Weight:kg</td><td>0.55</td></tr> <tr><td>NO.</td><td><b>NO.31-12</b></td></tr> </table>	Part No.	615G00070051	CH part name	滤清器底座组件	EN part name	Filter base assembly	RU part name	фильтр базы Ассамблеи	Size:mm		Weight:kg	0.55	NO.	<b>NO.31-12</b>
Part No.	612600070350																														
CH part name	机油滤清器总成																														
EN part name	Oil filter assembly																														
RU part name	фильтр масляный																														
Size:mm																															
Weight:kg	1.5																														
NO.	<b>NO.31-10</b>																														
Part No.	615G00070051																														
CH part name	滤清器底座组件																														
EN part name	Filter base assembly																														
RU part name	фильтр базы Ассамблеи																														
Size:mm																															
Weight:kg	0.55																														
NO.	<b>NO.31-12</b>																														
Remarks: weichai WD615		Remarks: weichai WD615																													
	<table border="1"> <tr><td>Part No.</td><td>612630010056/612630010239</td></tr> <tr><td>CH part name</td><td>机油滤清器总成</td></tr> <tr><td>EN part name</td><td>Oil filter assembly</td></tr> <tr><td>RU part name</td><td>фильтр масляный</td></tr> <tr><td>Size:mm</td><td></td></tr> <tr><td>Weight:kg</td><td>1.75</td></tr> <tr><td>NO.</td><td><b>NO.31-10</b></td></tr> </table>	Part No.	612630010056/612630010239	CH part name	机油滤清器总成	EN part name	Oil filter assembly	RU part name	фильтр масляный	Size:mm		Weight:kg	1.75	NO.	<b>NO.31-10</b>		<table border="1"> <tr><td>Part No.</td><td>612630010056</td></tr> <tr><td>CH part name</td><td>滤清器底座组件</td></tr> <tr><td>EN part name</td><td>Filter base assembly</td></tr> <tr><td>RU part name</td><td>фильтр базы Ассамблеи</td></tr> <tr><td>Size:mm</td><td></td></tr> <tr><td>Weight:kg</td><td>0.65</td></tr> <tr><td>NO.</td><td><b>NO.31-12</b></td></tr> </table>	Part No.	612630010056	CH part name	滤清器底座组件	EN part name	Filter base assembly	RU part name	фильтр базы Ассамблеи	Size:mm		Weight:kg	0.65	NO.	<b>NO.31-12</b>
Part No.	612630010056/612630010239																														
CH part name	机油滤清器总成																														
EN part name	Oil filter assembly																														
RU part name	фильтр масляный																														
Size:mm																															
Weight:kg	1.75																														
NO.	<b>NO.31-10</b>																														
Part No.	612630010056																														
CH part name	滤清器底座组件																														
EN part name	Filter base assembly																														
RU part name	фильтр базы Ассамблеи																														
Size:mm																															
Weight:kg	0.65																														
NO.	<b>NO.31-12</b>																														
Remarks: weichai WP12		Remarks: weichai WP12																													
	<table border="1"> <tr><td>Part No.</td><td>61800010113</td></tr> <tr><td>CH part name</td><td>机油冷却器芯总成(9片)</td></tr> <tr><td>EN part name</td><td>Core assembly of oil cooler (9 pieces)</td></tr> <tr><td>RU part name</td><td>Теплообменник-масляный радиатор</td></tr> <tr><td>Size:mm</td><td>256*138*53</td></tr> <tr><td>Weight:kg</td><td>2.95</td></tr> <tr><td>NO.</td><td><b>NO.32-14</b></td></tr> </table>	Part No.	61800010113	CH part name	机油冷却器芯总成(9片)	EN part name	Core assembly of oil cooler (9 pieces)	RU part name	Теплообменник-масляный радиатор	Size:mm	256*138*53	Weight:kg	2.95	NO.	<b>NO.32-14</b>		<table border="1"> <tr><td>Part No.</td><td>61500010334</td></tr> <tr><td>CH part name</td><td>机油冷却器芯(8片)</td></tr> <tr><td>EN part name</td><td>Oil cooler element</td></tr> <tr><td>RU part name</td><td>Теплообменник-масляный радиатор</td></tr> <tr><td>Size:mm</td><td>256*138*50</td></tr> <tr><td>Weight:kg</td><td>2.95</td></tr> <tr><td>NO.</td><td><b>NO.32-4</b></td></tr> </table>	Part No.	61500010334	CH part name	机油冷却器芯(8片)	EN part name	Oil cooler element	RU part name	Теплообменник-масляный радиатор	Size:mm	256*138*50	Weight:kg	2.95	NO.	<b>NO.32-4</b>
Part No.	61800010113																														
CH part name	机油冷却器芯总成(9片)																														
EN part name	Core assembly of oil cooler (9 pieces)																														
RU part name	Теплообменник-масляный радиатор																														
Size:mm	256*138*53																														
Weight:kg	2.95																														
NO.	<b>NO.32-14</b>																														
Part No.	61500010334																														
CH part name	机油冷却器芯(8片)																														
EN part name	Oil cooler element																														
RU part name	Теплообменник-масляный радиатор																														
Size:mm	256*138*50																														
Weight:kg	2.95																														
NO.	<b>NO.32-4</b>																														
Remarks: weichai WD12.420 WD618.42Q		Remarks: weichai WD615 WP10																													

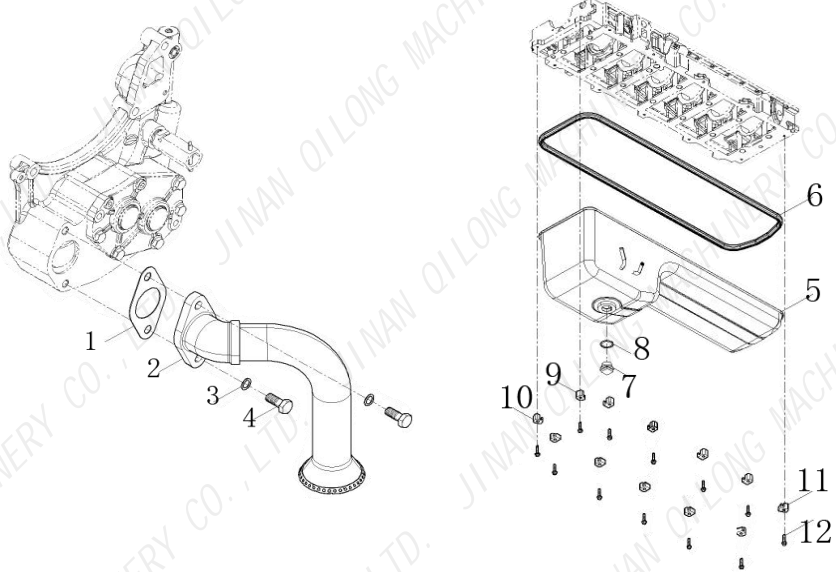

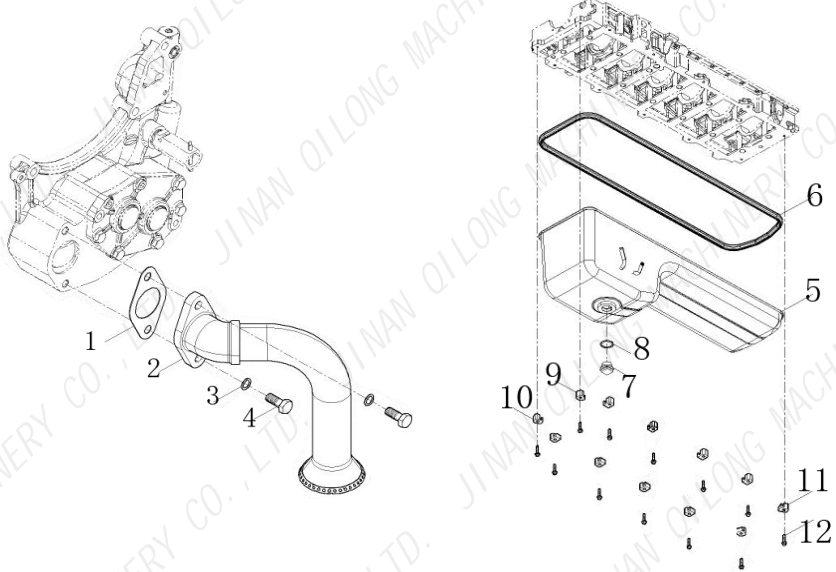





# SHACMAN(1)

lubrication system/ Oil cooler		NO.32		
	KD0515			
		Part No.	612630010050	
		CH part name	机油冷却器芯	
		EN part name	Oil cooler element	
		RU part name	Теплообменник-масляный радиатор	
		Size:mm		
		Weight:kg	2.95	
	NO.	<b>NO.32-1</b>		
	Remarks: weichai WP12			
	KD0516			
	Part No.	612600011654		
	CH part name	机油冷却器盖		
	EN part name	Oil cooler cover		
	RU part name	Крышка масляного радиатора		
	Size:mm	880*210*70		
	Weight:kg	3.4		
NO.	<b>NO.32-8A</b>			
Remarks: weichai WD615 WP10 614010083B				
KD0517				
	Part No.	612600012074		
	H part name	机油冷却器盖		
	N part name	Oil cooler cover		
	U part name	Крышка масляного радиатора		
	ize:mm			
	Weight:kg	2.3		
NO.	<b>NO.32-18</b>			
Remarks: weichai WD618				
KD0518				
	Part No.	61800010112		
	CH part name	机油冷却器盖		
	EN part name	Oil cooler cover		
	RU part name	Крышка масляного радиатора		
	Size:mm			
	Weight:kg	2.3		
NO.	<b>NO.32-18</b>			
Remarks: weichai WD12				
KD0519				
	Part No.	612630010072		
	CH part name	机油冷却器盖		
	EN part name	Oil cooler cover		
	RU part name	Крышка масляного радиатора		
	Size:mm	300*200*50		
	Weight:kg	2.3		
NO.	<b>NO.32-18</b>			
Remarks: weichai WP12				
KD0520				
	Part No.	61500010370		
	CH part name	机油冷却器垫		
	EN part name	Gasket		
	RU part name	прокладка		
	Size:mm			
	Weight:kg	0.01		
NO.	<b>NO.32-17</b>			
Remarks: weichai WD12 WD618				

# SHACMAN(1)

lubrication system/ Oil pump		NO.33																													
		KD0521																													
			<table border="1"> <tr><td>Part No.</td><td>614010084B</td></tr> <tr><td>CH part name</td><td>机油冷却器盖垫片</td></tr> <tr><td>EN part name</td><td>Gasket</td></tr> <tr><td>RU part name</td><td>прокладка</td></tr> <tr><td>Size:mm</td><td>880*210*0.1</td></tr> <tr><td>Weight:kg</td><td>0.01</td></tr> <tr><td>NO.</td><td><b>NO.32-8</b></td></tr> </table>	Part No.	614010084B	CH part name	机油冷却器盖垫片	EN part name	Gasket	RU part name	прокладка	Size:mm	880*210*0.1	Weight:kg	0.01	NO.	<b>NO.32-8</b>														
Part No.	614010084B																														
CH part name	机油冷却器盖垫片																														
EN part name	Gasket																														
RU part name	прокладка																														
Size:mm	880*210*0.1																														
Weight:kg	0.01																														
NO.	<b>NO.32-8</b>																														
Remarks: weichai WD615 WP10																															
		KD0522																													
			<table border="1"> <tr><td>Part No.</td><td>612630010256</td></tr> <tr><td>CH part name</td><td>机油泵总成</td></tr> <tr><td>EN part name</td><td>Oil pump</td></tr> <tr><td>RU part name</td><td>Масляный насос в сборе</td></tr> <tr><td>Size:mm</td><td>290*260*105</td></tr> <tr><td>Weight:kg</td><td>10.5</td></tr> <tr><td>NO.</td><td><b>NO.33-9</b></td></tr> </table>	Part No.	612630010256	CH part name	机油泵总成	EN part name	Oil pump	RU part name	Масляный насос в сборе	Size:mm	290*260*105	Weight:kg	10.5	NO.	<b>NO.33-9</b>														
Part No.	612630010256																														
CH part name	机油泵总成																														
EN part name	Oil pump																														
RU part name	Масляный насос в сборе																														
Size:mm	290*260*105																														
Weight:kg	10.5																														
NO.	<b>NO.33-9</b>																														
Remarks: weichai WP12																															
KD0523		KD0524																													
	<table border="1"> <tr><td>Part No.</td><td>612600070465</td></tr> <tr><td>CH part name</td><td>机油泵总成</td></tr> <tr><td>EN part name</td><td>Oil pump</td></tr> <tr><td>RU part name</td><td>Масляный насос в сборе</td></tr> <tr><td>Size:mm</td><td>290*260*105</td></tr> <tr><td>Weight:kg</td><td>9.85</td></tr> <tr><td>NO.</td><td><b>NO.33-1</b></td></tr> </table>	Part No.	612600070465	CH part name	机油泵总成	EN part name	Oil pump	RU part name	Масляный насос в сборе	Size:mm	290*260*105	Weight:kg	9.85	NO.	<b>NO.33-1</b>		<table border="1"> <tr><td>Part No.</td><td>612600070299</td></tr> <tr><td>CH part name</td><td>机油泵总成</td></tr> <tr><td>EN part name</td><td>Oil pump</td></tr> <tr><td>RU part name</td><td>Масляный насос в сборе</td></tr> <tr><td>Size:mm</td><td>290*260*105</td></tr> <tr><td>Weight:kg</td><td>9.85</td></tr> <tr><td>NO.</td><td><b>NO.33-1</b></td></tr> </table>	Part No.	612600070299	CH part name	机油泵总成	EN part name	Oil pump	RU part name	Масляный насос в сборе	Size:mm	290*260*105	Weight:kg	9.85	NO.	<b>NO.33-1</b>
Part No.	612600070465																														
CH part name	机油泵总成																														
EN part name	Oil pump																														
RU part name	Масляный насос в сборе																														
Size:mm	290*260*105																														
Weight:kg	9.85																														
NO.	<b>NO.33-1</b>																														
Part No.	612600070299																														
CH part name	机油泵总成																														
EN part name	Oil pump																														
RU part name	Масляный насос в сборе																														
Size:mm	290*260*105																														
Weight:kg	9.85																														
NO.	<b>NO.33-1</b>																														
Remarks: weichai WD615 WD10		Remarks: weichai WD618 WD12																													
KD0525		KD0526																													
	<table border="1"> <tr><td>Part No.</td><td>612600070412</td></tr> <tr><td>CH part name</td><td>机油集滤器</td></tr> <tr><td>EN part name</td><td>Suction pipe</td></tr> <tr><td>RU part name</td><td>Маслоприемник</td></tr> <tr><td>Size:mm</td><td>320*190*138</td></tr> <tr><td>Weight:kg</td><td>0.95</td></tr> <tr><td>NO.</td><td><b>NO.34-2</b></td></tr> </table>	Part No.	612600070412	CH part name	机油集滤器	EN part name	Suction pipe	RU part name	Маслоприемник	Size:mm	320*190*138	Weight:kg	0.95	NO.	<b>NO.34-2</b>		<table border="1"> <tr><td>Part No.</td><td>614070078</td></tr> <tr><td>CH part name</td><td>垫片</td></tr> <tr><td>EN part name</td><td>Shim</td></tr> <tr><td>RU part name</td><td>прокладка</td></tr> <tr><td>Size:mm</td><td></td></tr> <tr><td>Weight:kg</td><td>0.001</td></tr> <tr><td>NO.</td><td><b>NO.34-1</b></td></tr> </table>	Part No.	614070078	CH part name	垫片	EN part name	Shim	RU part name	прокладка	Size:mm		Weight:kg	0.001	NO.	<b>NO.34-1</b>
Part No.	612600070412																														
CH part name	机油集滤器																														
EN part name	Suction pipe																														
RU part name	Маслоприемник																														
Size:mm	320*190*138																														
Weight:kg	0.95																														
NO.	<b>NO.34-2</b>																														
Part No.	614070078																														
CH part name	垫片																														
EN part name	Shim																														
RU part name	прокладка																														
Size:mm																															
Weight:kg	0.001																														
NO.	<b>NO.34-1</b>																														
Remarks: weichai WD12 WD615		Remarks: weichai WD12 WD615 WD618 WP12 WP10																													

# SHACMAN(1)

lubrication system/ oil pump strainer		NO.34		KD0527			
						Part No.	61800070051
						CH part name	机油集滤器
						EN part name	Suction pipe
						RU part name	Маслоприемник
						Size:mm	450*60*60
						Weight:kg	0.91
				NO.		<b>NO.34-2</b>	
Remarks: weichai WD618				KD0528			
						Part No.	612630010425
						CH part name	集滤器总成
						EN part name	Suction pipe
						RU part name	Маслоприемник
						Size:mm	320*190*138
						Weight:kg	0.95
				NO.		<b>NO.34-2</b>	
Remarks: weichai WP12				KD0529			
		Part No.	614150004			Part No.	61500070082
		CH part name	油底壳垫			CH part name	集滤器总成
		EN part name	Oil pan seal			EN part name	Suction pipe
		RU part name	Прокладка масляного поддона			RU part name	Маслоприемник
		Size:mm	1100*240*20			Size:mm	400*100*50
		Weight:kg	0.35			Weight:kg	0.91
		NO.		NO.		<b>NO.34-2</b>	
Remarks: weichai WD12 WD618 WD615 WP10				KD0531			
		Part No.	612630010065			Part No.	612600150432
		CH part name	油底壳垫			CH part name	油底壳总成
		EN part name	Oil pan seal			EN part name	Oil pan assy.
		RU part name	Прокладка масляного поддона			RU part name	Поддон в сборе
		Size:mm				Size:mm	
		Weight:kg	0.55			Weight:kg	8
		NO.		NO.		<b>NO.34-5</b>	
Remarks: weichai WP12				KD0532			
Remarks: weichai WP10				KD0533			
Remarks: weichai WD12 612600150431							

# SHACMAN(1)

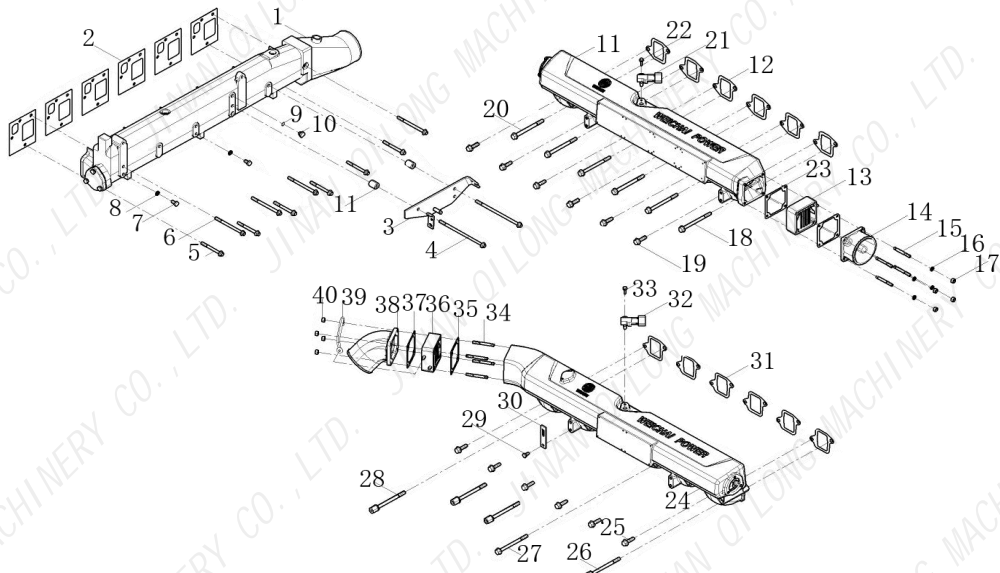

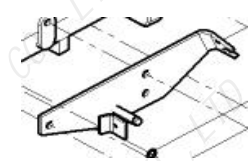
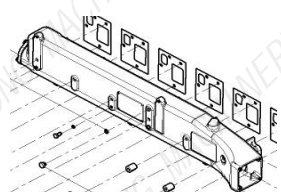
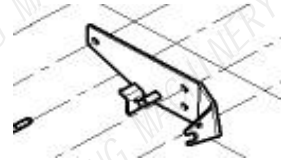


	<table border="1"> <tr><td>Part No.</td><td>612600150030</td></tr> <tr><td>CH part name</td><td>油底壳总成</td></tr> <tr><td>EN part name</td><td>Oil pan assy.</td></tr> <tr><td>RU part name</td><td>Поддон в сборе</td></tr> <tr><td>Size:mm</td><td>1025*250*280</td></tr> <tr><td>Weight:kg</td><td>7.5</td></tr> <tr><td>NO.</td><td><b>NO.34-5</b></td></tr> </table>	Part No.	612600150030	CH part name	油底壳总成	EN part name	Oil pan assy.	RU part name	Поддон в сборе	Size:mm	1025*250*280	Weight:kg	7.5	NO.	<b>NO.34-5</b>		<table border="1"> <tr><td>Part No.</td><td>612600150379</td></tr> <tr><td>CH part name</td><td>油底壳总成</td></tr> <tr><td>EN part name</td><td>Oil pan assy.</td></tr> <tr><td>RU part name</td><td>Поддон в сборе</td></tr> <tr><td>Size:mm</td><td></td></tr> <tr><td>Weight:kg</td><td>8.2</td></tr> <tr><td>NO.</td><td><b>NO.34-5</b></td></tr> </table>	Part No.	612600150379	CH part name	油底壳总成	EN part name	Oil pan assy.	RU part name	Поддон в сборе	Size:mm		Weight:kg	8.2	NO.	<b>NO.34-5</b>
Part No.	612600150030																														
CH part name	油底壳总成																														
EN part name	Oil pan assy.																														
RU part name	Поддон в сборе																														
Size:mm	1025*250*280																														
Weight:kg	7.5																														
NO.	<b>NO.34-5</b>																														
Part No.	612600150379																														
CH part name	油底壳总成																														
EN part name	Oil pan assy.																														
RU part name	Поддон в сборе																														
Size:mm																															
Weight:kg	8.2																														
NO.	<b>NO.34-5</b>																														
Remarks: weichai WD615 61800150015		Remarks: weichai WD618 612600150307																													
	<table border="1"> <tr><td>Part No.</td><td>612600150367</td></tr> <tr><td>CH part name</td><td>油底壳总成</td></tr> <tr><td>EN part name</td><td>Oil pan assy.</td></tr> <tr><td>RU part name</td><td>Поддон в сборе</td></tr> <tr><td>Size:mm</td><td></td></tr> <tr><td>Weight:kg</td><td>8.2</td></tr> <tr><td>NO.</td><td><b>NO.34-5</b></td></tr> </table>	Part No.	612600150367	CH part name	油底壳总成	EN part name	Oil pan assy.	RU part name	Поддон в сборе	Size:mm		Weight:kg	8.2	NO.	<b>NO.34-5</b>		<table border="1"> <tr><td>Part No.</td><td>612600150382</td></tr> <tr><td>CH part name</td><td>油底壳总成</td></tr> <tr><td>EN part name</td><td>Oil pan assy.</td></tr> <tr><td>RU part name</td><td>Поддон в сборе</td></tr> <tr><td>Size:mm</td><td></td></tr> <tr><td>Weight:kg</td><td>8</td></tr> <tr><td>NO.</td><td><b>NO.34-5</b></td></tr> </table>	Part No.	612600150382	CH part name	油底壳总成	EN part name	Oil pan assy.	RU part name	Поддон в сборе	Size:mm		Weight:kg	8	NO.	<b>NO.34-5</b>
Part No.	612600150367																														
CH part name	油底壳总成																														
EN part name	Oil pan assy.																														
RU part name	Поддон в сборе																														
Size:mm																															
Weight:kg	8.2																														
NO.	<b>NO.34-5</b>																														
Part No.	612600150382																														
CH part name	油底壳总成																														
EN part name	Oil pan assy.																														
RU part name	Поддон в сборе																														
Size:mm																															
Weight:kg	8																														
NO.	<b>NO.34-5</b>																														
Remarks: weichai WP12 612630010471		Remarks: weichai WP10 612600150309																													
	<table border="1"> <tr><td>Part No.</td><td>614150046</td></tr> <tr><td>CH part name</td><td>油底壳托快</td></tr> <tr><td>EN part name</td><td>Retainer</td></tr> <tr><td>RU part name</td><td>масляный поддон опорный быстро</td></tr> <tr><td>Size:mm</td><td>30*30*30</td></tr> <tr><td>Weight:kg</td><td>0.05</td></tr> <tr><td>NO.</td><td><b>NO.34-9</b></td></tr> </table>	Part No.	614150046	CH part name	油底壳托快	EN part name	Retainer	RU part name	масляный поддон опорный быстро	Size:mm	30*30*30	Weight:kg	0.05	NO.	<b>NO.34-9</b>		<table border="1"> <tr><td>Part No.</td><td>612600150390</td></tr> <tr><td>CH part name</td><td>油底壳托快</td></tr> <tr><td>EN part name</td><td>Retainer</td></tr> <tr><td>RU part name</td><td>масляный поддон опорный быстро</td></tr> <tr><td>Size:mm</td><td></td></tr> <tr><td>Weight:kg</td><td>0.042</td></tr> <tr><td>NO.</td><td><b>NO.34-11</b></td></tr> </table>	Part No.	612600150390	CH part name	油底壳托快	EN part name	Retainer	RU part name	масляный поддон опорный быстро	Size:mm		Weight:kg	0.042	NO.	<b>NO.34-11</b>
Part No.	614150046																														
CH part name	油底壳托快																														
EN part name	Retainer																														
RU part name	масляный поддон опорный быстро																														
Size:mm	30*30*30																														
Weight:kg	0.05																														
NO.	<b>NO.34-9</b>																														
Part No.	612600150390																														
CH part name	油底壳托快																														
EN part name	Retainer																														
RU part name	масляный поддон опорный быстро																														
Size:mm																															
Weight:kg	0.042																														
NO.	<b>NO.34-11</b>																														
Remarks: weichai WD12 WD618 WD615 WP12 WP10		Remarks: weichai WD12 WD618 WD615																													
	<table border="1"> <tr><td>Part No.</td><td>612630010420</td></tr> <tr><td>CH part name</td><td>右油底壳托块</td></tr> <tr><td>EN part name</td><td>Retainer</td></tr> <tr><td>RU part name</td><td>масляный поддон опорный быстро</td></tr> <tr><td>Size:mm</td><td></td></tr> <tr><td>Weight:kg</td><td></td></tr> <tr><td>NO.</td><td><b>NO.34-9</b></td></tr> </table>	Part No.	612630010420	CH part name	右油底壳托块	EN part name	Retainer	RU part name	масляный поддон опорный быстро	Size:mm		Weight:kg		NO.	<b>NO.34-9</b>		<table border="1"> <tr><td>Part No.</td><td>612630010419</td></tr> <tr><td>CH part name</td><td>左油底壳托块</td></tr> <tr><td>EN part name</td><td>Retainer</td></tr> <tr><td>RU part name</td><td>масляный поддон опорный быстро</td></tr> <tr><td>Size:mm</td><td></td></tr> <tr><td>Weight:kg</td><td></td></tr> <tr><td>NO.</td><td><b>NO.34-10</b></td></tr> </table>	Part No.	612630010419	CH part name	左油底壳托块	EN part name	Retainer	RU part name	масляный поддон опорный быстро	Size:mm		Weight:kg		NO.	<b>NO.34-10</b>
Part No.	612630010420																														
CH part name	右油底壳托块																														
EN part name	Retainer																														
RU part name	масляный поддон опорный быстро																														
Size:mm																															
Weight:kg																															
NO.	<b>NO.34-9</b>																														
Part No.	612630010419																														
CH part name	左油底壳托块																														
EN part name	Retainer																														
RU part name	масляный поддон опорный быстро																														
Size:mm																															
Weight:kg																															
NO.	<b>NO.34-10</b>																														
Remarks: weichai WP12		Remarks: weichai WP12																													



# SHACMAN(1)

<p>KD0541</p> 	<p>Part No. 90011430019</p> <p>CH part name 六角法兰面承面带齿螺栓</p> <p>EN part name Hexagon flange bolts</p> <p>RU part name шестиугольник болт фланца</p> <p>Size:mm</p> <p>Weight:kg 0.15</p> <p>NO. <b>NO.34-12</b></p>	<p>KD0542</p> 	<p>Part No. 90011400039</p> <p>CH part name 六角法兰面承面带齿螺栓</p> <p>EN part name Hexagon flange bolts</p> <p>RU part name шестиугольник болт фланца</p> <p>Size:mm</p> <p>Weight:kg 0.15</p> <p>NO. <b>NO.34-12</b></p>
<p>Remarks: weichai WD12 WD618 WD615 WP10</p>		<p>Remarks: weichai WP12</p>	
<p>KD0543</p> 	<p>Part No. 612600150251</p> <p>CH part name 磁性螺塞总成</p> <p>EN part name Magnetic plug assembly</p> <p>RU part name магнитная пробка</p> <p>Size:mm 46*26</p> <p>Weight:kg 0.17</p> <p>NO. <b>NO.34-7</b></p>	<p>KD0544</p> 	<p>Part No. 612600150106</p> <p>CH part name 密封垫圈</p> <p>EN part name Sealing washer</p> <p>RU part name уплотнительный прокладка</p> <p>Size:mm</p> <p>Weight:kg 0.01</p> <p>NO. <b>NO.34-8</b></p>
<p>Remarks: weichai WD615 WD12 WD618 WP12 WP10</p>		<p>Remarks: weichai WD615 WD12 WD618 WP12 WP10</p>	
<p>KD0545</p> 	<p>Part No. 612600114515</p> <p>CH part name 进气管总成</p> <p>EN part name Intake Pipe Assembly</p> <p>RU part name впускной патрубок Ассамблеи</p> <p>Size:mm 1100*250*200</p> <p>Weight:kg 7.4</p> <p>NO. <b>NO.35-1</b></p>	<p>KD0546</p> 	<p>Part No. 612600112415</p> <p>CH part name 进气管总成</p> <p>EN part name Intake Pipe Assembly</p> <p>RU part name впускной патрубок Ассамблеи</p> <p>Size:mm</p> <p>Weight:kg 7.9</p> <p>NO. <b>NO.35-1</b></p>
<p>Remarks: weichai WD615 612600114514</p>		<p>Remarks: weichai WD618 612600112414</p>	
<p>KD0547</p> 	<p>Part No. 612630120220</p> <p>CH part name 进气管总成</p> <p>EN part name Intake Pipe Assembly</p> <p>RU part name впускной патрубок Ассамблеи</p> <p>Size:mm</p> <p>Weight:kg 7.8</p> <p>NO. <b>NO.35-24</b></p>	<p>KD0548</p> 	<p>Part No. 612640120043</p> <p>CH part name 进气管总成</p> <p>EN part name Intake Pipe Assembly</p> <p>RU part name впускной патрубок Ассамблеи</p> <p>Size:mm</p> <p>Weight:kg 7.92</p> <p>NO. <b>NO.35-11</b></p>
<p>Remarks: weichai WP12.375 612630120013</p>		<p>Remarks: weichai WP10.336E40 612600113058</p>	

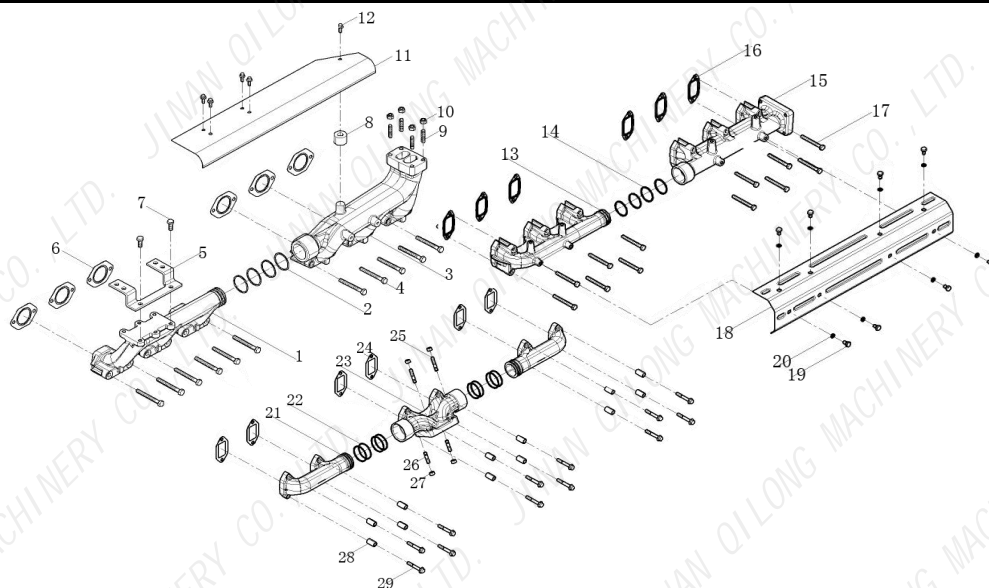


# SHACMAN(1)

Intake and exhaust system/ Intake pipe		NO.35	
	KD0549		
		Part No.	99100570015
	CH part name	悬臂总成	
	EN part name	cantilever	
	RU part name	перекрытия	
	Size:mm		
	Weight:kg	0.4	
	NO.	<b>NO.35-3</b>	
Remarks: weichai WD615			
	KD0550		
		Part No.	612600111749
	CH part name	悬臂总成	
	EN part name	cantilever	
	RU part name	перекрытия	
	Size:mm		
	Weight:kg	0.4	
	NO.	<b>NO.35-3</b>	
Remarks: weichai WD618			
KD0551			
	Part No.	612600115467	
	CH part name	进气管总成	
	EN part name	Intake Pipe Assembly	
	RU part name	впускной патрубок Ассамблеи	
	Size:mm		
	Weight:kg	7.9	
	NO.	<b>NO.35-11</b>	
	Remarks: weichai WD12		
KD0552			
	Part No.	612600114804	
	CH part name	悬臂总成	
	EN part name	cantilever	
	RU part name	перекрытия	
	Size:mm		
	Weight:kg	0.4	
	NO.	<b>NO.35-3</b>	
	Remarks: weichai WD12		
KD0553			
	Part No.	61500110024	
	CH part name	进气管垫片	
	EN part name	Intake Pipe Gasket	
	RU part name	Воздухопровод прокладка	
	Size:mm	110*110*1	
	Weight:kg	0.02	
	NO.	<b>NO.35-2</b>	
	Remarks: weichai WD615 WD618 WD12		
KD0554			
	Part No.	612630120005	
	CH part name	进气管垫片	
	EN part name	Intake Pipe Gasket	
	RU part name	Воздухопровод прокладка	
	Size:mm		
	Weight:kg	0.018	
	NO.	<b>NO.35-12</b>	
	Remarks: weichai WP10 WP12		

# SHACMAN(1)

	<p>KD0555</p> <table border="1"> <tr><td>Part No.</td><td>612630120003</td></tr> <tr><td>CH part name</td><td>加热器</td></tr> <tr><td>EN part name</td><td>The heater</td></tr> <tr><td>RU part name</td><td>обогреватель</td></tr> <tr><td>Size:mm</td><td></td></tr> <tr><td>Weight:kg</td><td>0.5</td></tr> <tr><td>NO.</td><td><b>NO.35-13</b></td></tr> </table>	Part No.	612630120003	CH part name	加热器	EN part name	The heater	RU part name	обогреватель	Size:mm		Weight:kg	0.5	NO.	<b>NO.35-13</b>		<p>KD0556</p> <table border="1"> <tr><td>Part No.</td><td>612600111755</td></tr> <tr><td>CH part name</td><td>进气接管</td></tr> <tr><td>EN part name</td><td>Connection pipe</td></tr> <tr><td>RU part name</td><td>соединение трубы</td></tr> <tr><td>Size:mm</td><td></td></tr> <tr><td>Weight:kg</td><td>0.23</td></tr> <tr><td>NO.</td><td><b>NO.35-14</b></td></tr> </table>	Part No.	612600111755	CH part name	进气接管	EN part name	Connection pipe	RU part name	соединение трубы	Size:mm		Weight:kg	0.23	NO.	<b>NO.35-14</b>
Part No.	612630120003																														
CH part name	加热器																														
EN part name	The heater																														
RU part name	обогреватель																														
Size:mm																															
Weight:kg	0.5																														
NO.	<b>NO.35-13</b>																														
Part No.	612600111755																														
CH part name	进气接管																														
EN part name	Connection pipe																														
RU part name	соединение трубы																														
Size:mm																															
Weight:kg	0.23																														
NO.	<b>NO.35-14</b>																														
Remarks: weichai WP10 WP12		Remarks: weichai WP10																													
	<p>KD0557</p> <table border="1"> <tr><td>Part No.</td><td>612630120004</td></tr> <tr><td>CH part name</td><td>压力温度传感器</td></tr> <tr><td>EN part name</td><td>Air intake temperature sensor</td></tr> <tr><td>RU part name</td><td>Датчик температуры впускного воздуха</td></tr> <tr><td>Size:mm</td><td>85*45*25</td></tr> <tr><td>Weight:kg</td><td>0.2</td></tr> <tr><td>NO.</td><td><b>NO.35-23</b></td></tr> </table>	Part No.	612630120004	CH part name	压力温度传感器	EN part name	Air intake temperature sensor	RU part name	Датчик температуры впускного воздуха	Size:mm	85*45*25	Weight:kg	0.2	NO.	<b>NO.35-23</b>		<p>KD0558</p> <table border="1"> <tr><td>Part No.</td><td>612640120001</td></tr> <tr><td>CH part name</td><td>进气接管</td></tr> <tr><td>EN part name</td><td>Connection pipe</td></tr> <tr><td>RU part name</td><td>соединение трубы</td></tr> <tr><td>Size:mm</td><td></td></tr> <tr><td>Weight:kg</td><td>0.43</td></tr> <tr><td>NO.</td><td><b>NO.35-38</b></td></tr> </table>	Part No.	612640120001	CH part name	进气接管	EN part name	Connection pipe	RU part name	соединение трубы	Size:mm		Weight:kg	0.43	NO.	<b>NO.35-38</b>
Part No.	612630120004																														
CH part name	压力温度传感器																														
EN part name	Air intake temperature sensor																														
RU part name	Датчик температуры впускного воздуха																														
Size:mm	85*45*25																														
Weight:kg	0.2																														
NO.	<b>NO.35-23</b>																														
Part No.	612640120001																														
CH part name	进气接管																														
EN part name	Connection pipe																														
RU part name	соединение трубы																														
Size:mm																															
Weight:kg	0.43																														
NO.	<b>NO.35-38</b>																														
Remarks: weichai WP10 WP12		Remarks: weichai WP12																													
	<p>KD0559</p> <table border="1"> <tr><td>Part No.</td><td>612630120002</td></tr> <tr><td>CH part name</td><td>进气管垫片</td></tr> <tr><td>EN part name</td><td>The heater</td></tr> <tr><td>RU part name</td><td>Воздухопровод прокладка</td></tr> <tr><td>Size:mm</td><td></td></tr> <tr><td>Weight:kg</td><td>0.011</td></tr> <tr><td>NO.</td><td><b>NO.35-21</b></td></tr> </table>	Part No.	612630120002	CH part name	进气管垫片	EN part name	The heater	RU part name	Воздухопровод прокладка	Size:mm		Weight:kg	0.011	NO.	<b>NO.35-21</b>		<p>KD0560</p> <table border="1"> <tr><td>Part No.</td><td>615G60110120</td></tr> <tr><td>CH part name</td><td>前排气歧管</td></tr> <tr><td>EN part name</td><td>Exhaust manifold</td></tr> <tr><td>RU part name</td><td>Задний выпускной коллектор</td></tr> <tr><td>Size:mm</td><td>450*180*170</td></tr> <tr><td>Weight:kg</td><td>7.75</td></tr> <tr><td>NO.</td><td><b>NO.36-1</b></td></tr> </table>	Part No.	615G60110120	CH part name	前排气歧管	EN part name	Exhaust manifold	RU part name	Задний выпускной коллектор	Size:mm	450*180*170	Weight:kg	7.75	NO.	<b>NO.36-1</b>
Part No.	612630120002																														
CH part name	进气管垫片																														
EN part name	The heater																														
RU part name	Воздухопровод прокладка																														
Size:mm																															
Weight:kg	0.011																														
NO.	<b>NO.35-21</b>																														
Part No.	615G60110120																														
CH part name	前排气歧管																														
EN part name	Exhaust manifold																														
RU part name	Задний выпускной коллектор																														
Size:mm	450*180*170																														
Weight:kg	7.75																														
NO.	<b>NO.36-1</b>																														
Remarks: weichai WP10 WP12		Remarks: weichai WD615.69 612600111290																													
	<p>KD0561</p> <table border="1"> <tr><td>Part No.</td><td>612640110380</td></tr> <tr><td>CH part name</td><td>前排气歧管</td></tr> <tr><td>EN part name</td><td>Exhaust manifold</td></tr> <tr><td>RU part name</td><td>Задний выпускной коллектор</td></tr> <tr><td>Size:mm</td><td></td></tr> <tr><td>Weight:kg</td><td>7.5</td></tr> <tr><td>NO.</td><td><b>NO.36-13</b></td></tr> </table>	Part No.	612640110380	CH part name	前排气歧管	EN part name	Exhaust manifold	RU part name	Задний выпускной коллектор	Size:mm		Weight:kg	7.5	NO.	<b>NO.36-13</b>		<p>KD0562</p> <table border="1"> <tr><td>Part No.</td><td>612600114609</td></tr> <tr><td>CH part name</td><td>前排气歧管</td></tr> <tr><td>EN part name</td><td>Exhaust manifold</td></tr> <tr><td>RU part name</td><td>Задний выпускной коллектор</td></tr> <tr><td>Size:mm</td><td></td></tr> <tr><td>Weight:kg</td><td>8</td></tr> <tr><td>NO.</td><td><b>NO.36-13</b></td></tr> </table>	Part No.	612600114609	CH part name	前排气歧管	EN part name	Exhaust manifold	RU part name	Задний выпускной коллектор	Size:mm		Weight:kg	8	NO.	<b>NO.36-13</b>
Part No.	612640110380																														
CH part name	前排气歧管																														
EN part name	Exhaust manifold																														
RU part name	Задний выпускной коллектор																														
Size:mm																															
Weight:kg	7.5																														
NO.	<b>NO.36-13</b>																														
Part No.	612600114609																														
CH part name	前排气歧管																														
EN part name	Exhaust manifold																														
RU part name	Задний выпускной коллектор																														
Size:mm																															
Weight:kg	8																														
NO.	<b>NO.36-13</b>																														
Remarks: weichai WP10		Remarks: weichai WD618 WD12																													

# SHACMAN(1)

Intake and exhaust system/The exhaust pipe		NO.36	
	KD0563		
		Part No.	612630111085
		CH part name	后排气歧管
		EN part name	Exhaust manifold
		RU part name	Задний выпускной коллектор
		Size:mm	
		Weight:kg	11.5
	NO.	<b>NO.36-15</b>	
	Remarks: weichai WD12		
	KD0564		
	Part No.	612600114610	
	CH part name	后排气歧管	
	EN part name	Exhaust manifold	
	RU part name	Задний выпускной коллектор	
	Size:mm		
	Weight:kg	12	
NO.	<b>NO.36-15</b>		
Remarks: weichai WD618			
KD0565			
	Part No.	612630110003	
	CH part name	中间排气歧管	
	EN part name	Intermediate exhaust manifold	
	RU part name	Задний выпускной коллектор	
	Size:mm		
	Weight:kg	7.8	
	NO.	<b>NO.36-23</b>	
Remarks: weichai WP12 612630110736			
KD0566			
	Part No.	612640110381	
	CH part name	后排气歧管	
	EN part name	Exhaust manifold	
	RU part name	Задний выпускной коллектор	
	Size:mm		
	Weight:kg	12	
	NO.	<b>NO.36-3</b>	
Remarks: weichai WD615			
KD0567			
	Part No.	612630110735	
	CH part name	前后排气管	
	EN part name	Fore and aft exhaust pipe	
	RU part name	И двига	
	Size:mm		
	Weight:kg	5.2	
	NO.	<b>NO.36-21</b>	
Remarks: weichai WP12 612630110022			
KD0568			
	Part No.	612630110958	
	CH part name	排气管螺栓	
	EN part name	Screw	
	RU part name	болт	
	Size:mm		
	Weight:kg	0.05	
	NO.	<b>NO.36-4</b>	
Remarks: weichai WP10			









# SHACMAN(1)

KD0569			KD0570		
	Part No.	612600116752		Part No.	61560110104
	CH part name	排气管紧固螺栓		CH part name	排气管紧固螺栓
	EN part name	Screw		EN part name	Screw
	RU part name	болт		RU part name	болт
	Size:mm			Size:mm	
	Weight:kg	0.05		Weight:kg	0.05
	NO.	<b>NO.36-17</b>		NO.	<b>NO.36-17</b>
Remarks: weichai WD12			Remarks: weichai WD615 WD618		
KD0571			KD0572		
	Part No.	612630110732		Part No.	61260110162
	CH part name	排气管紧固螺栓		CH part name	排气管密封环
	EN part name	Screw		EN part name	Seal ring
	RU part name	болт		RU part name	печать кольцо
	Size:mm			Size:mm	
	Weight:kg	0.045		Weight:kg	0.02
	NO.	<b>NO.36-29</b>		NO.	<b>NO.36-2</b>
Remarks: weichai WP12			Remarks: weichai WP10 WD615 WD618 WD12		
KD0573			KD0574		
	Part No.	61560110242		Part No.	612630110024
	CH part name	排气管垫片		CH part name	排气管密封环
	EN part name	Exhaust pipe gasket.		EN part name	Seal ring
	RU part name	Двига прокладка		RU part name	печать кольцо
	Size:mm	110*80*1		Size:mm	64*60*0.4
	Weight:kg	0.02		Weight:kg	0.02
	NO.	<b>NO.36-6</b>		NO.	<b>NO.36-22</b>
Remarks: weichai WD615.69 WD618			Remarks: weichai WP12		
KD0575			KD0576		
	Part No.	612650110003		Part No.	612630110710
	CH part name	排气管衬垫		CH part name	排气管衬垫
	EN part name	Exhaust pipe gasket.		EN part name	Exhaust pipe gasket.
	RU part name	Двига прокладка		RU part name	Двига прокладка
	Size:mm			Size:mm	
	Weight:kg	0.017		Weight:kg	0.017
	NO.	<b>NO.36-16</b>		NO.	<b>NO.36-24</b>
Remarks: weichai WP10			Remarks: weichai WP12		




# SHACMAN(1)

Intake and exhaust system/The supercharger		NO.37		
	KD0577			
			Part No. 612600114293	
			CH part name 排气管衬垫	
			EN part name Exhaust pipe gasket.	
			RU part name Двиг прокладка	
			Size:mm	
			Weight:kg 0.02	
			NO. <b>NO.36-6</b>	
	Remarks: weichai WD12.420HP			
	KD0578			
		Part No. 612630110581		
		CH part name 增压器总成		
		EN part name Supercharger complement		
		RU part name Мультипликатор в сборе		
		Size:mm		
		Weight:kg 18.4		
		NO. <b>NO.37-1</b>		
Remarks: weichai WP12				
KD0579		KD0580		
Part No. 612601111024		Part No. 612601110925		
CH part name 增压器总成		CH part name 增压器总成		
EN part name Supercharger complement		EN part name Supercharger complement		
RU part name Мультипликатор в сборе		RU part name Мультипликатор в сборе		
Size:mm		Size:mm		
Weight:kg 18		Weight:kg 18.5		
NO. <b>NO.37-1</b>		NO. <b>NO.37-1</b>		
Remarks: weichai WD12.420HP		Remarks: weichai WD618.420HP		
KD0581		KD0582		
Part No. 612601111193		Part No. 61561110227		
CH part name 增压器总成		CH part name 增压器总成		
EN part name Supercharger complement		EN part name Supercharger complement		
RU part name Мультипликатор в сборе		RU part name Мультипликатор в сборе		
Size:mm		Size:mm 330*270*320		
Weight:kg 17.95		Weight:kg 18.2		
NO. <b>NO.37-1</b>		NO. <b>NO.37-1</b>		
Remarks: weichai WP10.336E40 612601110988		Remarks: weichai WD615 612601111139		

# SHACMAN(1)

	<p>Part No. 612600114052</p> <p>CH part name 增压器回油管总成</p> <p>EN part name The supercharger returns the tubing.</p> <p>RU part name Мультипликатор отсасывающая труба</p> <p>Size:mm</p> <p>Weight:kg 0.4</p> <p>NO. <b>NO.37-4</b></p>		<p>Part No. 612650110067</p> <p>CH part name 增压器回油管总成</p> <p>EN part name The supercharger returns the tubing.</p> <p>RU part name Мультипликатор отсасывающая труба</p> <p>Size:mm</p> <p>Weight:kg 0.4</p> <p>NO. <b>NO.37-4</b></p>
Remarks: weichai WD615.69		Remarks: weichai WP10 612600113673	
	<p>Part No. 612630110580</p> <p>CH part name 增压器回油管总成</p> <p>EN part name The supercharger returns the tubing.</p> <p>RU part name Мультипликатор отсасывающая труба</p> <p>Size:mm</p> <p>Weight:kg 0.4</p> <p>NO. <b>NO.37-4</b></p>		<p>Part No. 612600113793</p> <p>CH part name 增压器回油管总成</p> <p>EN part name The supercharger returns the tubing.</p> <p>RU part name Мультипликатор отсасывающая труба</p> <p>Size:mm</p> <p>Weight:kg 0.4</p> <p>NO. <b>NO.37-4</b></p>
Remarks: weichai WP12		Remarks: weichai WD618	
	<p>Part No. 612600115733</p> <p>CH part name 增压器进油管组件</p> <p>EN part name Supercharger into the tubing assembly.</p> <p>RU part name Мультипликатор бензоподвод компоненты</p> <p>Size:mm</p> <p>Weight:kg 0.42</p> <p>NO. <b>NO.37-7</b></p>		<p>Part No. 612600111927</p> <p>CH part name 增压器回油管总成</p> <p>EN part name The supercharger returns the tubing.</p> <p>RU part name Мультипликатор отсасывающая труба</p> <p>Size:mm</p> <p>Weight:kg 0.39</p> <p>NO. <b>NO.37-4</b></p>
Remarks: weichai WD12		Remarks: weichai WD12	
	<p>Part No. 612600113779</p> <p>CH part name 增压器进油管组件</p> <p>EN part name Supercharger into the tubing assembly.</p> <p>RU part name Мультипликатор бензоподвод компоненты</p> <p>Size:mm 260*68</p> <p>Weight:kg 0.25</p> <p>NO. <b>NO.37-7</b></p>		<p>Part No. 612600110403</p> <p>CH part name 增压器后进油管</p> <p>EN part name Supercharger into the tubing assembly.</p> <p>RU part name Мультипликатор бензоподвод компоненты</p> <p>Size:mm</p> <p>Weight:kg 0.21</p> <p>NO. <b>NO.37-16</b></p>
Remarks: weichai WD618		Remarks: weichai WD615.69	

# SHACMAN(1)

	<p>Part No. 612630110556</p> <p>CH part name 增压器进油管</p> <p>EN part name Supercharger into the tubing assembly.</p> <p>RU part name Мультипликатор бензоподвод компоненты</p> <p>Size:mm</p> <p>Weight:kg 0.24</p> <p>NO. <b>NO.37-16</b></p>		<p>Part No. 612600110402</p> <p>CH part name 增压器前进油管</p> <p>EN part name Supercharger into the tubing assembly.</p> <p>RU part name Мультипликатор бензоподвод компоненты</p> <p>Size:mm</p> <p>Weight:kg 0.21</p> <p>NO. <b>NO.37-16</b></p>
Remarks: weichai WP12.375		Remarks: weichai WD615.69	
	<p>Part No. 612650110057</p> <p>CH part name 增压器进油管</p> <p>EN part name Supercharger into the tubing assembly.</p> <p>RU part name Мультипликатор бензоподвод компоненты</p> <p>Size:mm</p> <p>Weight:kg 0.24</p> <p>NO. <b>NO.37-16</b></p>		<p>Part No. 61260110048</p> <p>CH part name 回油管法兰垫片</p> <p>EN part name Return tubing flange gasket.</p> <p>RU part name Отсасывающая труба фланец прокладка</p> <p>Size:mm</p> <p>Weight:kg 0.001</p> <p>NO. <b>NO.37-5</b></p>
Remarks: weichai WP10.336E40		Remarks: weichai WP10 WP12 WD615 WD618 WD12	
	<p>Part No. 612600114275</p> <p>CH part name 进油管垫片</p> <p>EN part name Tubing gasket</p> <p>RU part name Бензоподвод прокладка</p> <p>Size:mm</p> <p>Weight:kg 0.001</p> <p>NO. <b>NO.37-6</b></p>		<p>Part No. 81560110152</p> <p>CH part name 进油管法兰</p> <p>EN part name Inlet flange</p> <p>RU part name Бензоподвод фланец</p> <p>Size:mm</p> <p>Weight:kg</p> <p>NO. <b>NO.37-19A</b></p>
Remarks: weichai WD618 WD12 WD615 WP10		Remarks: weichai WD615.69	
	<p>Part No. 61560110117</p> <p>CH part name 气路连接胶管</p> <p>EN part name The gas path connects the hose.</p> <p>RU part name Газовод соединение рукав</p> <p>Size:mm 100*105</p> <p>Weight:kg 0.31</p> <p>NO. <b>NO.38-5</b></p>		<p>Part No. 612630110671</p> <p>CH part name 气路连接胶管</p> <p>EN part name The gas path connects the hose.</p> <p>RU part name Газовод соединение рукав</p> <p>Size:mm</p> <p>Weight:kg</p> <p>NO. <b>NO.38-5</b></p>
Remarks: weichai WP10		Remarks: weichai WP12	



# SHACMAN(1)

Intake and exhaust system / Supercharger pipeline		<b>NO.38</b>	
	KD0599		
		Part No.	81560110220
		CH part name	气路连接胶管
		EN part name	The gas path connects the hose.
		RU part name	Газовод соединение рукав
		Size:mm	100*114*80
		Weight:kg	0.3
	NO.	<b>NO.38-5</b>	
	Remarks: weichai WD615		
	KD0600		
	Part No.	612600115640	
	CH part name	气路连接胶管	
	EN part name	The gas path connects the hose.	
	RU part name	Газовод соединение рукав	
	Size:mm		
	Weight:kg	0.25	
NO.	<b>NO.38-13</b>		
Remarks: weichai WD618 WD12			
KD0601			
	Part No.	612600111086	
	CH part name	气路连接胶管	
	EN part name	The gas path connects the hose.	
	RU part name	Газовод соединение рукав	
	Size:mm		
	Weight:kg	0.28	
	NO.	<b>NO.38-9</b>	
Remarks: weichai WD618 WD12 WD615			
KD0602			
	Part No.	90003989315	
	CH part name	软管卡箍	
	EN part name	The hose clamp	
	RU part name	Хомутик шланг	
	Size:mm		
	Weight:kg	0.15	
	NO.	<b>NO.38-4</b>	
Remarks: weichai WP10 WP12 WD615 WD618 WD12			
KD0603			
	Part No.	61560110226	
	CH part name	增压器连接弯管卡箍	
	EN part name	Connect the elbow clamp.	
	RU part name	Соединение колена хомут	
	Size:mm		
	Weight:kg	0.35	
	NO.	<b>NO.38-21</b>	
Remarks: weichai WD615 WD12 WD618			
KD0604			
	Part No.	612600113794	
	CH part name	软管卡箍	
	EN part name	The hose clamp	
	RU part name	Хомутик шланг	
	Size:mm		
	Weight:kg	0.19	
	NO.	<b>NO.38-4A</b>	
Remarks: weichai WP10			

# SHACMAN(1)

	<table border="1"> <tr><td>Part No.</td><td>612600112232</td></tr> <tr><td>CH part name</td><td>中冷器管卡箍</td></tr> <tr><td>EN part name</td><td>Middle cooler tube clamp.</td></tr> <tr><td>RU part name</td><td>Промежуточный охладить хомутик</td></tr> <tr><td>Size:mm</td><td></td></tr> <tr><td>Weight:kg</td><td>0.19</td></tr> <tr><td>NO.</td><td><b>NO.38-8</b></td></tr> </table>	Part No.	612600112232	CH part name	中冷器管卡箍	EN part name	Middle cooler tube clamp.	RU part name	Промежуточный охладить хомутик	Size:mm		Weight:kg	0.19	NO.	<b>NO.38-8</b>		<table border="1"> <tr><td>Part No.</td><td>90003980585</td></tr> <tr><td>CH part name</td><td>中冷器管卡箍</td></tr> <tr><td>EN part name</td><td>Middle cooler tube clamp.</td></tr> <tr><td>RU part name</td><td>Промежуточный охладить хомутик</td></tr> <tr><td>Size:mm</td><td></td></tr> <tr><td>Weight:kg</td><td>0.15</td></tr> <tr><td>NO.</td><td><b>NO.38-8</b></td></tr> </table>	Part No.	90003980585	CH part name	中冷器管卡箍	EN part name	Middle cooler tube clamp.	RU part name	Промежуточный охладить хомутик	Size:mm		Weight:kg	0.15	NO.	<b>NO.38-8</b>
Part No.	612600112232																														
CH part name	中冷器管卡箍																														
EN part name	Middle cooler tube clamp.																														
RU part name	Промежуточный охладить хомутик																														
Size:mm																															
Weight:kg	0.19																														
NO.	<b>NO.38-8</b>																														
Part No.	90003980585																														
CH part name	中冷器管卡箍																														
EN part name	Middle cooler tube clamp.																														
RU part name	Промежуточный охладить хомутик																														
Size:mm																															
Weight:kg	0.15																														
NO.	<b>NO.38-8</b>																														
Remarks: weichai WD615		Remarks: weichai WD618 WD12																													
	<table border="1"> <tr><td>Part No.</td><td>190320035</td></tr> <tr><td>CH part name</td><td>增压器连接弯管密封圈</td></tr> <tr><td>EN part name</td><td>Connect the elbow seal ring.</td></tr> <tr><td>RU part name</td><td>Соединение колена лабиринт</td></tr> <tr><td>Size:mm</td><td></td></tr> <tr><td>Weight:kg</td><td>0.001</td></tr> <tr><td>NO.</td><td><b>NO.38-22</b></td></tr> </table>	Part No.	190320035	CH part name	增压器连接弯管密封圈	EN part name	Connect the elbow seal ring.	RU part name	Соединение колена лабиринт	Size:mm		Weight:kg	0.001	NO.	<b>NO.38-22</b>		<table border="1"> <tr><td>Part No.</td><td>612630110108</td></tr> <tr><td>CH part name</td><td>增压器连接弯管卡箍</td></tr> <tr><td>EN part name</td><td>Connect the elbow clamp.</td></tr> <tr><td>RU part name</td><td>Соединение колена хомут</td></tr> <tr><td>Size:mm</td><td></td></tr> <tr><td>Weight:kg</td><td>0.35</td></tr> <tr><td>NO.</td><td><b>NO.38-2</b></td></tr> </table>	Part No.	612630110108	CH part name	增压器连接弯管卡箍	EN part name	Connect the elbow clamp.	RU part name	Соединение колена хомут	Size:mm		Weight:kg	0.35	NO.	<b>NO.38-2</b>
Part No.	190320035																														
CH part name	增压器连接弯管密封圈																														
EN part name	Connect the elbow seal ring.																														
RU part name	Соединение колена лабиринт																														
Size:mm																															
Weight:kg	0.001																														
NO.	<b>NO.38-22</b>																														
Part No.	612630110108																														
CH part name	增压器连接弯管卡箍																														
EN part name	Connect the elbow clamp.																														
RU part name	Соединение колена хомут																														
Size:mm																															
Weight:kg	0.35																														
NO.	<b>NO.38-2</b>																														
Remarks: weichai WD615 WD618 WD12		Remarks: weichai WP12																													
	<table border="1"> <tr><td>Part No.</td><td>612630110070</td></tr> <tr><td>CH part name</td><td>增压器连接弯管密封圈</td></tr> <tr><td>EN part name</td><td>Connect the elbow seal ring.</td></tr> <tr><td>RU part name</td><td>Соединение колена лабиринт</td></tr> <tr><td>Size:mm</td><td></td></tr> <tr><td>Weight:kg</td><td>0.001</td></tr> <tr><td>NO.</td><td><b>NO.38-3</b></td></tr> </table>	Part No.	612630110070	CH part name	增压器连接弯管密封圈	EN part name	Connect the elbow seal ring.	RU part name	Соединение колена лабиринт	Size:mm		Weight:kg	0.001	NO.	<b>NO.38-3</b>		<table border="1"> <tr><td>Part No.</td><td>612600115932</td></tr> <tr><td>CH part name</td><td>进气管组件</td></tr> <tr><td>EN part name</td><td>Intake manifold assembly</td></tr> <tr><td>RU part name</td><td>Воздухопровод компонент</td></tr> <tr><td>Size:mm</td><td></td></tr> <tr><td>Weight:kg</td><td></td></tr> <tr><td>NO.</td><td><b>NO.38-6</b></td></tr> </table>	Part No.	612600115932	CH part name	进气管组件	EN part name	Intake manifold assembly	RU part name	Воздухопровод компонент	Size:mm		Weight:kg		NO.	<b>NO.38-6</b>
Part No.	612630110070																														
CH part name	增压器连接弯管密封圈																														
EN part name	Connect the elbow seal ring.																														
RU part name	Соединение колена лабиринт																														
Size:mm																															
Weight:kg	0.001																														
NO.	<b>NO.38-3</b>																														
Part No.	612600115932																														
CH part name	进气管组件																														
EN part name	Intake manifold assembly																														
RU part name	Воздухопровод компонент																														
Size:mm																															
Weight:kg																															
NO.	<b>NO.38-6</b>																														
Remarks: weichai WP12		Remarks: weichai WP10																													
	<table border="1"> <tr><td>Part No.</td><td>612630110366</td></tr> <tr><td>CH part name</td><td>进气管组件</td></tr> <tr><td>EN part name</td><td>Intake manifold assembly</td></tr> <tr><td>RU part name</td><td>Воздухопровод компонент</td></tr> <tr><td>Size:mm</td><td></td></tr> <tr><td>Weight:kg</td><td></td></tr> <tr><td>NO.</td><td><b>NO.38-6</b></td></tr> </table>	Part No.	612630110366	CH part name	进气管组件	EN part name	Intake manifold assembly	RU part name	Воздухопровод компонент	Size:mm		Weight:kg		NO.	<b>NO.38-6</b>		<table border="1"> <tr><td>Part No.</td><td>612600111600</td></tr> <tr><td>CH part name</td><td>进气管组件</td></tr> <tr><td>EN part name</td><td>Intake manifold assembly</td></tr> <tr><td>RU part name</td><td>Воздухопровод компонент</td></tr> <tr><td>Size:mm</td><td></td></tr> <tr><td>Weight:kg</td><td></td></tr> <tr><td>NO.</td><td><b>NO.38-6</b></td></tr> </table>	Part No.	612600111600	CH part name	进气管组件	EN part name	Intake manifold assembly	RU part name	Воздухопровод компонент	Size:mm		Weight:kg		NO.	<b>NO.38-6</b>
Part No.	612630110366																														
CH part name	进气管组件																														
EN part name	Intake manifold assembly																														
RU part name	Воздухопровод компонент																														
Size:mm																															
Weight:kg																															
NO.	<b>NO.38-6</b>																														
Part No.	612600111600																														
CH part name	进气管组件																														
EN part name	Intake manifold assembly																														
RU part name	Воздухопровод компонент																														
Size:mm																															
Weight:kg																															
NO.	<b>NO.38-6</b>																														
Remarks: weichai WP12 612630110247		Remarks: weichai WD615																													

# SHACMAN(1)

KD0613				KD0314			
	Part No.	612600114046			Part No.	61560110165	
	CH part name	进气管组件			CH part name	连接弯管	
	EN part name	Intake manifold assembly			EN part name	Joint pipe	
	RU part name	Воздухопровод компонент			RU part name	Подключите локтя	
	Size:mm				Size:mm	180*80*80	
	Weight:kg				Weight:kg	0.6	
	NO.	<b>NO.38-12</b>			NO.	<b>NO.38-1</b>	
Remarks: weichai WD618 WD12				Remarks: weichai WD615			
KD0615				KD0616			
	Part No.	612630110014			Part No.	612630110373	
	CH part name	连接弯管			CH part name	连接弯管	
	EN part name	Joint pipe			EN part name	Joint pipe	
	RU part name	Подключите локтя			RU part name	Подключите локтя	
	Size:mm				Size:mm		
	Weight:kg	0.61			Weight:kg	0.61	
	NO.	<b>NO.38-1</b>			NO.	<b>NO.38-1</b>	
Remarks: weichai WP10				Remarks: weichai WP12			
KD0617				KD0618			
	Part No.	612600110365			Part No.	612600110364	
	CH part name	连接弯管			CH part name	连接弯管	
	EN part name	Joint pipe			EN part name	Joint pipe	
	RU part name	Подключите локтя			RU part name	Подключите локтя	
	Size:mm				Size:mm		
	Weight:kg	0.61			Weight:kg	0.61	
	NO.	<b>NO.38-10</b>			NO.	<b>NO.38-11</b>	
Remarks: weichai WD618 WD12				Remarks: weichai WD618 WD12			
KD0619				KD0620			
	Part No.	61560110051B			Part No.	612600113979	
	CH part name	中冷管			CH part name	中冷管	
	EN part name	Cold tube			EN part name	Cold tube	
	RU part name	Труба среднего охлаждения			RU part name	Труба среднего охлаждения	
	Size:mm				Size:mm		
	Weight:kg				Weight:kg		
	NO.	<b>NO.38-7</b>			NO.	<b>NO.38-7</b>	
Remarks: weichai WD615				Remarks: weichai WP12			









# SHACMAN(1)

	<p>Part No. 612630110007</p> <p>CH part name 增压器后排气管</p> <p>EN part name Turbocharger rear exhaust pipe</p> <p>RU part name Нагнетатель задние трубы</p> <p>Size:mm 300*180*120</p> <p>Weight:kg 1.3</p> <p>NO. <b>NO.38-23</b></p>	<p>KD0622</p>	<p>Part No. 612600111670</p> <p>CH part name 中冷管</p> <p>EN part name Cold tube</p> <p>RU part name Труба среднего охлаждения</p> <p>Size:mm</p> <p>Weight:kg</p> <p>NO. <b>NO.38-7</b></p>
Remarks: weichai WP12		Remarks: weichai WP12	
	<p>Part No. 612600090885</p> <p>CH part name 传感器线束总成</p> <p>EN part name Sensor wire harness assembly.</p> <p>RU part name Датчик жгут в сборе</p> <p>Size:mm</p> <p>Weight:kg</p> <p>NO. <b>NO.39-3</b></p>		<p>Part No. 612630030007</p> <p>CH part name 转速传感器</p> <p>EN part name Crankshaft speed sensor</p> <p>RU part name Датчик скоростей карданного вала</p> <p>Size:mm 80*30*25</p> <p>Weight:kg 0.05</p> <p>NO. <b>NO.39-1</b></p>
Remarks: weichai WP12.375		Remarks: weichai WP12	
	<p>Part No. 612600090766</p> <p>CH part name 机油压力传感器</p> <p>EN part name Oil pressure sensor</p> <p>RU part name Датчик давления масла</p> <p>Size:mm 76*45*45</p> <p>Weight:kg 0.145</p> <p>NO. <b>NO.39-2</b></p>		<p>Part No. 612600090771</p> <p>CH part name 机油压力传感器</p> <p>EN part name Oil pressure sensor</p> <p>RU part name Датчик давления масла</p> <p>Size:mm</p> <p>Weight:kg 0.14</p> <p>NO. <b>NO.39-2</b></p>
Remarks: weichai WP12		Remarks: weichai WD615.69	
	<p>Part No. 612600090919</p> <p>CH part name 机油压力传感器</p> <p>EN part name Oil pressure sensor</p> <p>RU part name Датчик давления масла</p> <p>Size:mm</p> <p>Weight:kg 0.14</p> <p>NO. <b>NO.39-2</b></p>		<p>Part No. 612600090760</p> <p>CH part name 机油压力传感器</p> <p>EN part name Oil pressure sensor</p> <p>RU part name Датчик давления масла</p> <p>Size:mm</p> <p>Weight:kg 0.145</p> <p>NO. <b>NO.39-2</b></p>
Remarks: weichai WD615 WP10 612600090667		Remarks: weichai WP10	









# SHACMAN(1)

Electrical system/Generator, bracket		NO.39	
	KD0627		
			Part No.
			612600090758
			CH part name
			机油压力传感器
			EN part name
			Oil pressure sensor
			RU part name
			Датчик давления масла
			Size:mm
		Weight:kg	
		0.135	
		NO.	
		<b>NO.39-2</b>	
Remarks: weichai WD618 WD12			
	KD0628		
			Part No.
			612600090259
			CH part name
			发电机
			EN part name
			Alternator assy.
			RU part name
			Генератор в сборе
			Size:mm
		175*185*55	
		Weight:kg	
		5.95	
		NO.	
		<b>NO.39-4</b>	
Remarks: weichai WD615			
KD0629			
	Part No.	5000000001	
	CH part name	发电机	
	EN part name	Alternator assy.	
	RU part name	Генератор в сборе	
	Size:mm	175*185*55	
	Weight:kg	5.95	
	NO.	<b>NO.39-4</b>	
	Remarks: weichai WP10 612600090352		
KD0630			
	Part No.	5000000002	
	CH part name	发电机	
	EN part name	Alternator assy.	
	RU part name	Генератор в сборе	
	Size:mm	175*185*155	
	Weight:kg	6.1	
	NO.	<b>NO.39-4</b>	
	Remarks: weichai WP12 612630060248		
KD0631			
	Part No.	612600090353	
	CH part name	发电机	
	EN part name	Alternator assy.	
	RU part name	Генератор в сборе	
	Size:mm		
	Weight:kg	6.2	
	NO.	<b>NO.39-4</b>	
	Remarks: weichai WD618 5000000003		
KD0632			
	Part No.	612600090816	
	CH part name	发电机	
	EN part name	Alternator assy.	
	RU part name	Генератор в сборе	
	Size:mm		
	Weight:kg	5.95	
	NO.	<b>NO.39-4</b>	
	Remarks: weichai WD12 WP12.380		






# SHACMAN(1)

	<table border="1"> <tr><td>Part No.</td><td>612600061007</td></tr> <tr><td>CH part name</td><td>发电机固定支架</td></tr> <tr><td>EN part name</td><td>Fixed bracket</td></tr> <tr><td>RU part name</td><td>Кронштейн крепления</td></tr> <tr><td>Size:mm</td><td></td></tr> <tr><td>Weight:kg</td><td>1.6</td></tr> <tr><td>NO.</td><td><b>NO.39-9</b></td></tr> </table>	Part No.	612600061007	CH part name	发电机固定支架	EN part name	Fixed bracket	RU part name	Кронштейн крепления	Size:mm		Weight:kg	1.6	NO.	<b>NO.39-9</b>		<table border="1"> <tr><td>Part No.</td><td>612630060249</td></tr> <tr><td>CH part name</td><td>发电机固定支架</td></tr> <tr><td>EN part name</td><td>Fixed bracket</td></tr> <tr><td>RU part name</td><td>Кронштейн крепления</td></tr> <tr><td>Size:mm</td><td></td></tr> <tr><td>Weight:kg</td><td>2.3</td></tr> <tr><td>NO.</td><td><b>NO.39-9</b></td></tr> </table>	Part No.	612630060249	CH part name	发电机固定支架	EN part name	Fixed bracket	RU part name	Кронштейн крепления	Size:mm		Weight:kg	2.3	NO.	<b>NO.39-9</b>
Part No.	612600061007																														
CH part name	发电机固定支架																														
EN part name	Fixed bracket																														
RU part name	Кронштейн крепления																														
Size:mm																															
Weight:kg	1.6																														
NO.	<b>NO.39-9</b>																														
Part No.	612630060249																														
CH part name	发电机固定支架																														
EN part name	Fixed bracket																														
RU part name	Кронштейн крепления																														
Size:mm																															
Weight:kg	2.3																														
NO.	<b>NO.39-9</b>																														
Remarks: weichai WP10.340HP		Remarks: weichai WP12																													
	<table border="1"> <tr><td>Part No.</td><td>612600090831</td></tr> <tr><td>CH part name</td><td>发电机固定支架</td></tr> <tr><td>EN part name</td><td>Fixed bracket</td></tr> <tr><td>RU part name</td><td>Кронштейн крепления</td></tr> <tr><td>Size:mm</td><td></td></tr> <tr><td>Weight:kg</td><td>1.5</td></tr> <tr><td>NO.</td><td><b>NO.39-9</b></td></tr> </table>	Part No.	612600090831	CH part name	发电机固定支架	EN part name	Fixed bracket	RU part name	Кронштейн крепления	Size:mm		Weight:kg	1.5	NO.	<b>NO.39-9</b>		<table border="1"> <tr><td>Part No.</td><td>AZ1500130018</td></tr> <tr><td>CH part name</td><td>发电机固定支架</td></tr> <tr><td>EN part name</td><td>Fixed bracket</td></tr> <tr><td>RU part name</td><td>Кронштейн крепления</td></tr> <tr><td>Size:mm</td><td></td></tr> <tr><td>Weight:kg</td><td>2.1</td></tr> <tr><td>NO.</td><td><b>NO.39-9</b></td></tr> </table>	Part No.	AZ1500130018	CH part name	发电机固定支架	EN part name	Fixed bracket	RU part name	Кронштейн крепления	Size:mm		Weight:kg	2.1	NO.	<b>NO.39-9</b>
Part No.	612600090831																														
CH part name	发电机固定支架																														
EN part name	Fixed bracket																														
RU part name	Кронштейн крепления																														
Size:mm																															
Weight:kg	1.5																														
NO.	<b>NO.39-9</b>																														
Part No.	AZ1500130018																														
CH part name	发电机固定支架																														
EN part name	Fixed bracket																														
RU part name	Кронштейн крепления																														
Size:mm																															
Weight:kg	2.1																														
NO.	<b>NO.39-9</b>																														
Remarks: weichai WD615.300N 612600090837		Remarks: weichai WD615.44 330HP																													
	<table border="1"> <tr><td>Part No.</td><td>612600090418</td></tr> <tr><td>CH part name</td><td>发电机固定支架</td></tr> <tr><td>EN part name</td><td>Fixed bracket</td></tr> <tr><td>RU part name</td><td>Кронштейн крепления</td></tr> <tr><td>Size:mm</td><td></td></tr> <tr><td>Weight:kg</td><td>2.6</td></tr> <tr><td>NO.</td><td><b>NO.39-9</b></td></tr> </table>	Part No.	612600090418	CH part name	发电机固定支架	EN part name	Fixed bracket	RU part name	Кронштейн крепления	Size:mm		Weight:kg	2.6	NO.	<b>NO.39-9</b>		<table border="1"> <tr><td>Part No.</td><td>612600090571</td></tr> <tr><td>CH part name</td><td>发电机固定支架</td></tr> <tr><td>EN part name</td><td>Fixed bracket</td></tr> <tr><td>RU part name</td><td>Кронштейн крепления</td></tr> <tr><td>Size:mm</td><td></td></tr> <tr><td>Weight:kg</td><td></td></tr> <tr><td>NO.</td><td><b>NO.39-9</b></td></tr> </table>	Part No.	612600090571	CH part name	发电机固定支架	EN part name	Fixed bracket	RU part name	Кронштейн крепления	Size:mm		Weight:kg		NO.	<b>NO.39-9</b>
Part No.	612600090418																														
CH part name	发电机固定支架																														
EN part name	Fixed bracket																														
RU part name	Кронштейн крепления																														
Size:mm																															
Weight:kg	2.6																														
NO.	<b>NO.39-9</b>																														
Part No.	612600090571																														
CH part name	发电机固定支架																														
EN part name	Fixed bracket																														
RU part name	Кронштейн крепления																														
Size:mm																															
Weight:kg																															
NO.	<b>NO.39-9</b>																														
Remarks: weichai WD618.420HP		Remarks: weichai WD12.420HP																													
	<table border="1"> <tr><td>Part No.</td><td>612600090837</td></tr> <tr><td>CH part name</td><td>拉紧螺栓</td></tr> <tr><td>EN part name</td><td>Tighten bolt</td></tr> <tr><td>RU part name</td><td>натяжной болт</td></tr> <tr><td>Size:mm</td><td></td></tr> <tr><td>Weight:kg</td><td></td></tr> <tr><td>NO.</td><td><b>NO.39-13</b></td></tr> </table>	Part No.	612600090837	CH part name	拉紧螺栓	EN part name	Tighten bolt	RU part name	натяжной болт	Size:mm		Weight:kg		NO.	<b>NO.39-13</b>		<table border="1"> <tr><td>Part No.</td><td>612600090937</td></tr> <tr><td>CH part name</td><td>拉紧螺栓</td></tr> <tr><td>EN part name</td><td>Tighten bolt</td></tr> <tr><td>RU part name</td><td>натяжной болт</td></tr> <tr><td>Size:mm</td><td></td></tr> <tr><td>Weight:kg</td><td></td></tr> <tr><td>NO.</td><td><b>NO.39-13</b></td></tr> </table>	Part No.	612600090937	CH part name	拉紧螺栓	EN part name	Tighten bolt	RU part name	натяжной болт	Size:mm		Weight:kg		NO.	<b>NO.39-13</b>
Part No.	612600090837																														
CH part name	拉紧螺栓																														
EN part name	Tighten bolt																														
RU part name	натяжной болт																														
Size:mm																															
Weight:kg																															
NO.	<b>NO.39-13</b>																														
Part No.	612600090937																														
CH part name	拉紧螺栓																														
EN part name	Tighten bolt																														
RU part name	натяжной болт																														
Size:mm																															
Weight:kg																															
NO.	<b>NO.39-13</b>																														
Remarks: weichai WD615		Remarks: weichai WP10																													

# SHACMAN(1)

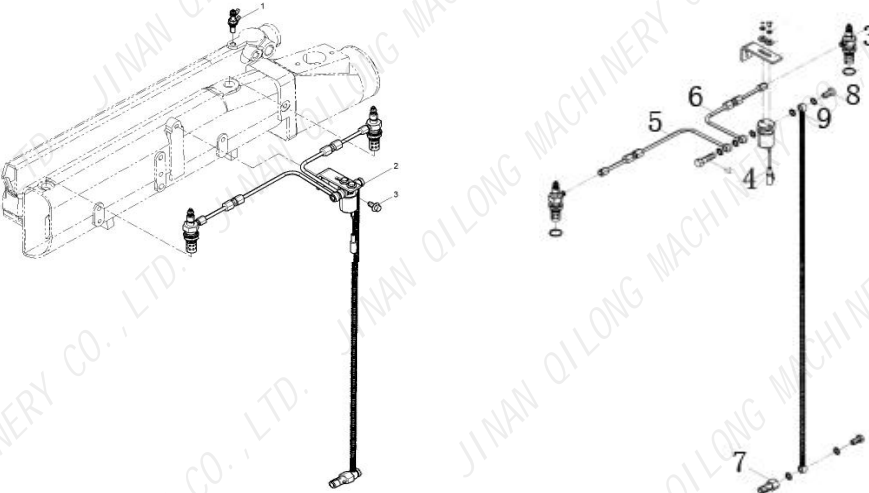






	<p>Part No. 615P00090002</p> <p>CH part name 拉紧块</p> <p>EN part name Tighten block</p> <p>RU part name натяжной блок</p> <p>Size:mm</p> <p>Weight:kg</p> <p>NO. <b>NO.39-15</b></p>		<p>Part No. 612600090696</p> <p>CH part name 拉紧螺栓</p> <p>EN part name Tighten bolt</p> <p>RU part name натяжной болт</p> <p>Size:mm</p> <p>Weight:kg</p> <p>NO. <b>NO.39-13</b></p>
Remarks: weichai WD615		Remarks: weichai WD618	
	<p>Part No. 612600090688</p> <p>CH part name 拉紧块</p> <p>EN part name Tighten block</p> <p>RU part name натяжной блок</p> <p>Size:mm</p> <p>Weight:kg</p> <p>NO. <b>NO.39-15</b></p>		<p>Part No. 612600090094</p> <p>CH part name 拉紧块</p> <p>EN part name Tighten block</p> <p>RU part name натяжной блок</p> <p>Size:mm</p> <p>Weight:kg</p> <p>NO. <b>NO.39-15</b></p>
Remarks: weichai WD618		Remarks: weichai WP10	
	<p>Part No. 612600090561</p> <p>CH part name 起动机</p> <p>EN part name Geared down starter</p> <p>RU part name Стартер замедления</p> <p>Size:mm 480*270*210</p> <p>Weight:kg 13</p> <p>NO. <b>NO.40-2</b></p>		<p>Part No. 612600090806</p> <p>CH part name 起动机</p> <p>EN part name Geared down starter</p> <p>RU part name Стартер замедления</p> <p>Size:mm 240*230*180</p> <p>Weight:kg 13</p> <p>NO. <b>NO.40-2</b></p>
Remarks: weichai WP10.340HP WD615.69 336HP		Remarks: weichai WD618.42Q	
	<p>Part No. 612600091078</p> <p>CH part name 起动机</p> <p>EN part name Geared down starter</p> <p>RU part name Стартер замедления</p> <p>Size:mm</p> <p>Weight:kg 13.2</p> <p>NO. <b>NO.40-2</b></p>		<p>Part No. 612600091077</p> <p>CH part name 起动机</p> <p>EN part name Geared down starter</p> <p>RU part name Стартер замедления</p> <p>Size:mm</p> <p>Weight:kg 13</p> <p>NO. <b>NO.40-2</b></p>
Remarks: weichai WD12.420HP		Remarks: weichai WP12.375HP	

# SHACMAN(1)

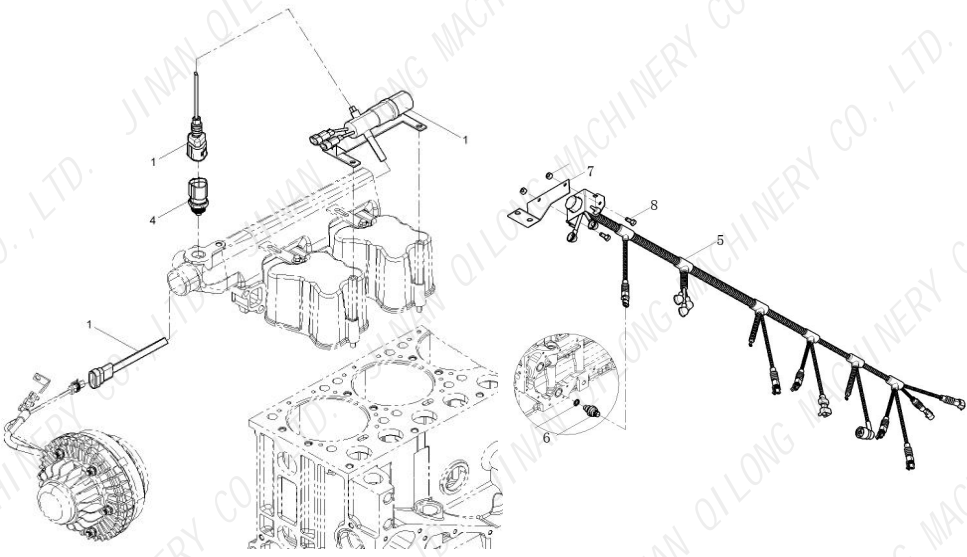
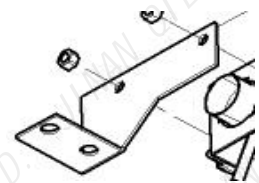
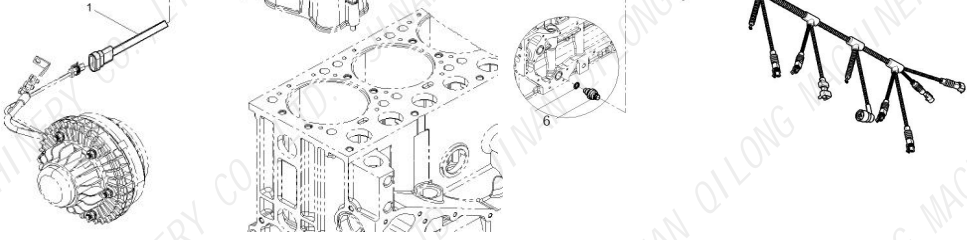





Electrical system/Geared down starter		NO.40															
	KD0649																
			<table border="1"> <tr><td>Part No.</td><td>90003813527</td></tr> <tr><td>CH part name</td><td>双头螺栓</td></tr> <tr><td>EN part name</td><td>stud</td></tr> <tr><td>RU part name</td><td>шпилек</td></tr> <tr><td>Size:mm</td><td></td></tr> <tr><td>Weight:kg</td><td>0.025</td></tr> <tr><td>NO.</td><td><b>NO.40-1</b></td></tr> </table>	Part No.	90003813527	CH part name	双头螺栓	EN part name	stud	RU part name	шпилек	Size:mm		Weight:kg	0.025	NO.	<b>NO.40-1</b>
	Part No.	90003813527															
	CH part name	双头螺栓															
	EN part name	stud															
	RU part name	шпилек															
	Size:mm																
	Weight:kg	0.025															
	NO.	<b>NO.40-1</b>															
	Remarks: weichai WD615 WD618 WD12 WP12 WP10																
KD0650																	
		<table border="1"> <tr><td>Part No.</td><td>612600013602</td></tr> <tr><td>CH part name</td><td>六角法兰面螺母</td></tr> <tr><td>EN part name</td><td>Flange nut</td></tr> <tr><td>RU part name</td><td>Фланец поверхность гайка</td></tr> <tr><td>Size:mm</td><td></td></tr> <tr><td>Weight:kg</td><td>0.012</td></tr> <tr><td>NO.</td><td><b>NO.40-3</b></td></tr> </table>	Part No.	612600013602	CH part name	六角法兰面螺母	EN part name	Flange nut	RU part name	Фланец поверхность гайка	Size:mm		Weight:kg	0.012	NO.	<b>NO.40-3</b>	
Part No.	612600013602																
CH part name	六角法兰面螺母																
EN part name	Flange nut																
RU part name	Фланец поверхность гайка																
Size:mm																	
Weight:kg	0.012																
NO.	<b>NO.40-3</b>																
Remarks: weichai WP10 WD12 WD618 WD615																	
KD0651																	
	Part No.	612600090748															
	CH part name	火焰预热装置															
	EN part name	Flame preheater															
	RU part name	Пламя подогрев устройство															
	Size:mm																
	Weight:kg	0.79															
	NO.	<b>NO.41-2</b>															
Remarks: weichai WD615																	
KD0652																	
	Part No.	190003888452															
	CH part name	2型全金属六角锁紧螺母															
	EN part name	Hexagon lock nut.															
	RU part name	Наговор контрагайка															
	Size:mm																
	Weight:kg	0.013															
	NO.	<b>NO.39-3</b>															
Remarks: weichai WP12.375HP																	
KD0653																	
	Part No.	612600090635															
	CH part name	火焰预热装置															
	EN part name	Flame preheater															
	RU part name	Пламя подогрев устройство															
	Size:mm																
	Weight:kg	0.85															
	NO.	<b>NO.41-2</b>															
Remarks: weichai WD12.420HP																	
KD0654																	
	Part No.	612600090357															
	CH part name	火焰预热装置															
	EN part name	Flame preheater															
	RU part name	Пламя подогрев устройство															
	Size:mm																
	Weight:kg	0.84															
	NO.	<b>NO.41-2</b>															
Remarks: weichai WD618																	



# SHACMAN(1)

Electrical system/Flame preheater		NO.41																													
		KD0655																													
			<table border="1"> <tr><td>Part No.</td><td>61200090162</td></tr> <tr><td>CH part name</td><td>火焰预热电热塞</td></tr> <tr><td>EN part name</td><td>Preheating plug</td></tr> <tr><td>RU part name</td><td>Подогрев электротермический пробка</td></tr> <tr><td>Size:mm</td><td></td></tr> <tr><td>Weight:kg</td><td>0.14</td></tr> <tr><td>NO.</td><td><b>NO.41-3</b></td></tr> </table>	Part No.	61200090162	CH part name	火焰预热电热塞	EN part name	Preheating plug	RU part name	Подогрев электротермический пробка	Size:mm		Weight:kg	0.14	NO.	<b>NO.41-3</b>														
Part No.	61200090162																														
CH part name	火焰预热电热塞																														
EN part name	Preheating plug																														
RU part name	Подогрев электротермический пробка																														
Size:mm																															
Weight:kg	0.14																														
NO.	<b>NO.41-3</b>																														
Remarks: weichai WD12 WD618 WD615																															
		KD0656																													
		<table border="1"> <tr><td>Part No.</td><td>61200090163</td></tr> <tr><td>CH part name</td><td>电磁阀</td></tr> <tr><td>EN part name</td><td>Solenoid valve</td></tr> <tr><td>RU part name</td><td>Электромагнитная клапан</td></tr> <tr><td>Size:mm</td><td></td></tr> <tr><td>Weight:kg</td><td>0.41</td></tr> <tr><td>NO.</td><td><b>NO.41-4</b></td></tr> </table>	Part No.	61200090163	CH part name	电磁阀	EN part name	Solenoid valve	RU part name	Электромагнитная клапан	Size:mm		Weight:kg	0.41	NO.	<b>NO.41-4</b>															
Part No.	61200090163																														
CH part name	电磁阀																														
EN part name	Solenoid valve																														
RU part name	Электромагнитная клапан																														
Size:mm																															
Weight:kg	0.41																														
NO.	<b>NO.41-4</b>																														
Remarks: weichai WD12 WD618 WD615 612600090747																															
KD0657		KD0658																													
	<table border="1"> <tr><td>Part No.</td><td>AZ1500090132</td></tr> <tr><td>CH part name</td><td>温度传感器</td></tr> <tr><td>EN part name</td><td>Temperature transmitter</td></tr> <tr><td>RU part name</td><td>Датчик температуры воды</td></tr> <tr><td>Size:mm</td><td></td></tr> <tr><td>Weight:kg</td><td>0.13</td></tr> <tr><td>NO.</td><td><b>NO.41-1</b></td></tr> </table>	Part No.	AZ1500090132	CH part name	温度传感器	EN part name	Temperature transmitter	RU part name	Датчик температуры воды	Size:mm		Weight:kg	0.13	NO.	<b>NO.41-1</b>		<table border="1"> <tr><td>Part No.</td><td>90011430040</td></tr> <tr><td>CH part name</td><td>六角法兰面承面带齿螺栓</td></tr> <tr><td>EN part name</td><td>Hexagon flange face belted bolt</td></tr> <tr><td>RU part name</td><td>Фланцевые болты с челюстями</td></tr> <tr><td>Size:mm</td><td></td></tr> <tr><td>Weight:kg</td><td>0.11</td></tr> <tr><td>NO.</td><td><b>NO.41-3</b></td></tr> </table>	Part No.	90011430040	CH part name	六角法兰面承面带齿螺栓	EN part name	Hexagon flange face belted bolt	RU part name	Фланцевые болты с челюстями	Size:mm		Weight:kg	0.11	NO.	<b>NO.41-3</b>
Part No.	AZ1500090132																														
CH part name	温度传感器																														
EN part name	Temperature transmitter																														
RU part name	Датчик температуры воды																														
Size:mm																															
Weight:kg	0.13																														
NO.	<b>NO.41-1</b>																														
Part No.	90011430040																														
CH part name	六角法兰面承面带齿螺栓																														
EN part name	Hexagon flange face belted bolt																														
RU part name	Фланцевые болты с челюстями																														
Size:mm																															
Weight:kg	0.11																														
NO.	<b>NO.41-3</b>																														
Remarks: weichai WD618 WD12 WD615		Remarks: weichai																													
KD0659		KD0660																													
	<table border="1"> <tr><td>Part No.</td><td>612600090949</td></tr> <tr><td>CH part name</td><td>发动机线束总成</td></tr> <tr><td>EN part name</td><td>Engine harness assembly.</td></tr> <tr><td>RU part name</td><td>Двигатель жгут в сборе</td></tr> <tr><td>Size:mm</td><td></td></tr> <tr><td>Weight:kg</td><td>0.21</td></tr> <tr><td>NO.</td><td><b>NO.42-5</b></td></tr> </table>	Part No.	612600090949	CH part name	发动机线束总成	EN part name	Engine harness assembly.	RU part name	Двигатель жгут в сборе	Size:mm		Weight:kg	0.21	NO.	<b>NO.42-5</b>		<table border="1"> <tr><td>Part No.</td><td>612600061654</td></tr> <tr><td>CH part name</td><td>双温控开关</td></tr> <tr><td>EN part name</td><td>Double temperature switch</td></tr> <tr><td>RU part name</td><td>Двойной зон кран</td></tr> <tr><td>Size:mm</td><td></td></tr> <tr><td>Weight:kg</td><td>0.11</td></tr> <tr><td>NO.</td><td><b>NO.42-4</b></td></tr> </table>	Part No.	612600061654	CH part name	双温控开关	EN part name	Double temperature switch	RU part name	Двойной зон кран	Size:mm		Weight:kg	0.11	NO.	<b>NO.42-4</b>
Part No.	612600090949																														
CH part name	发动机线束总成																														
EN part name	Engine harness assembly.																														
RU part name	Двигатель жгут в сборе																														
Size:mm																															
Weight:kg	0.21																														
NO.	<b>NO.42-5</b>																														
Part No.	612600061654																														
CH part name	双温控开关																														
EN part name	Double temperature switch																														
RU part name	Двойной зон кран																														
Size:mm																															
Weight:kg	0.11																														
NO.	<b>NO.42-4</b>																														
Remarks: weichai WD615.69		Remarks: weichai WD615.69																													






# SHACMAN(1)

Двигатель жгут/вентиллятор сцепление		NO.42	
	KD0661		
			
	Part No.	612600090679	
	CH part name	线束支架	
	EN part name	Wiring harness bracket	
	RU part name	Пучок кронштейн	
	Size:mm		
	Weight:kg	0.32	
	NO.	<b>NO.42-7</b>	
	Remarks: weichai WD615.69		
	KD0662		
			
	Part No.	612600062378	
	CH part name	风扇电磁离合器线束	
	EN part name	Electromagnetic clutch harness	
	RU part name	Электромагнитный луч сцепления	
	Size:mm		
	Weight:kg	0.3	
	NO.	<b>NO.42-1</b>	
	Remarks: weichai WD12.336HP		
	KD0663		
	Part No.	612600081293	
	CH part name	除水放心滤	
	EN part name	Oil and vapor separator	
	RU part name	Помимо воды вольно фильтр	
	Size:mm	230*110*110	
	Weight:kg	1.4	
NO.	<b>NO.43-6</b>		
Remarks: weichai WP12			
	KD0664		
	Part No.	612600082776	
	CH part name	燃油水寒宝	
	EN part name	Fuel water cold treasure	
	RU part name	Вода топлива холодный сокровище	
	Size:mm		
	Weight:kg	2.35	
NO.	<b>NO.43-1</b>		
Remarks: weichai WP10 612600082775			
	KD0665		
	Part No.	612600083455	
	CH part name	燃油水寒宝	
	EN part name	Fuel water cold treasure	
	RU part name	Вода топлива холодный сокровище	
	Size:mm		
	Weight:kg	2.35	
	NO.	<b>NO.43-1</b>	
Remarks: weichai WD12.336HP			
	KD0666		
	Part No.	612600081495	
	CH part name	除水放心滤	
	EN part name	Oil and vapor separator	
	RU part name	Помимо воды вольно фильтр	
	Size:mm	230*110*110	
	Weight:kg	1.4	
	NO.	<b>NO.43-10</b>	
Remarks: weichai WD618 WD615			

# SHACMAN(1)

Peripheral parts		NO.43	
	KD0667		
		Part No.	612600082612
	CH part name	电动输油泵	
	EN part name	Electric oil pump	
	RU part name	Электрический масляный насос	
	Size:mm		
	Weight:kg	0.43	
	NO.	<b>NO.43-2</b>	
Remarks: weichai WP10			
	KD0668		
		Part No.	612630080371
	CH part name	滤座组件	
	EN part name	Filter seat assembly	
	RU part name	фильтр компонента сиденья	
	Size:mm		
	Weight:kg	0.21	
	NO.	<b>NO.43-5</b>	
Remarks: weichai WP12			
KD0669			
	Part No.	612600081335	
	CH part name	燃油滤清器滤芯	
	EN part name	Primary fuel filter element	
	RU part name	Фильтр топливный грубой очистки	
	Size:mm	260*120*120	
	Weight:kg	1.2	
	NO.	<b>NO.43-11</b>	
Remarks: weichai WD615.44 WD618 WD12			
KD0670			
	Part No.	612600081321	
	CH part name	滤座组件	
	EN part name	Filter seat assembly	
	RU part name	фильтр компонента сиденья	
	Size:mm		
	Weight:kg	0.16	
	NO.	<b>NO.43-9</b>	
Remarks: weichai WD615 WD618 WD12			
KD0671			
	Part No.	612600081294	
	CH part name	燃油滤清器滤芯	
	EN part name	Primary fuel filter element	
	RU part name	Фильтр топливный грубой очистки	
	Size:mm	260*120*120	
	Weight:kg	1.2	
	NO.	<b>NO.43-7</b>	
Remarks: weichai WP12 WP10			
KD0672			
	Part No.	612600082029	
	CH part name	带加热器水杯	
	EN part name	Oil separator cup	
	RU part name	фильтр, масляный	
	Size:mm	11*10*10	
	Weight:kg	0.023	
	NO.	<b>NO.43-4</b>	
Remarks: weichai WP10 WD615 WD618 WD12			


# SHACMAN(1)

	<b>Part No.</b> <b>CH part name</b> <b>EN part name</b> <b>RU part name</b> <b>Size:mm</b> <b>Weight:kg</b> <b>NO.</b>	612600082030 水杯总成 Glass assembly ShuiBei в сборе  0.021 <b>NO.43-8</b>		<b>Part No.</b> <b>CH part name</b> <b>EN part name</b> <b>RU part name</b> <b>Size:mm</b> <b>Weight:kg</b> <b>NO.</b>	612600081322 水杯总成 Glass assembly ShuiBei в сборе  0.021 <b>NO.43-12</b>
Remarks: weichai WP12			Remarks: weichai WD615 WD618 WD12		
	<b>Part No.</b> <b>CH part name</b> <b>EN part name</b> <b>RU part name</b> <b>Size:mm</b> <b>Weight:kg</b> <b>NO.</b>	WXBWD12010330 四配套维修包 Four auxiliary maintenance kits. Ремонт пакет  38.5		<b>Part No.</b> <b>CH part name</b> <b>EN part name</b> <b>RU part name</b> <b>Size:mm</b> <b>Weight:kg</b> <b>NO.</b>	WXBWD618015794 四配套维修包 Four auxiliary maintenance kits. Ремонт пакет  38.5
Remarks: weichai WD12			Remarks: weichai WD618		
	<b>Part No.</b> <b>CH part name</b> <b>EN part name</b> <b>RU part name</b> <b>Size:mm</b> <b>Weight:kg</b> <b>NO.</b>	WXBWP10010306 四配套维修包 Four auxiliary maintenance kits. Ремонт пакет  38		<b>Part No.</b> <b>CH part name</b> <b>EN part name</b> <b>RU part name</b> <b>Size:mm</b> <b>Weight:kg</b> <b>NO.</b>	WXBWP12010326 四配套维修包 Four auxiliary maintenance kits. Ремонт пакет  38.5
Remarks: weichai WP10			Remarks: weichai WP12		
	<b>Part No.</b> <b>CH part name</b> <b>EN part name</b> <b>RU part name</b> <b>Size:mm</b> <b>Weight:kg</b> <b>NO.</b>	WXBWD615010540 四配套维修包 Four auxiliary maintenance kits. Ремонт пакет  38		<b>Part No.</b> <b>CH part name</b> <b>EN part name</b> <b>RU part name</b> <b>Size:mm</b> <b>Weight:kg</b> <b>NO.</b>	      
Remarks: weichai WD615			Remarks: weichai		

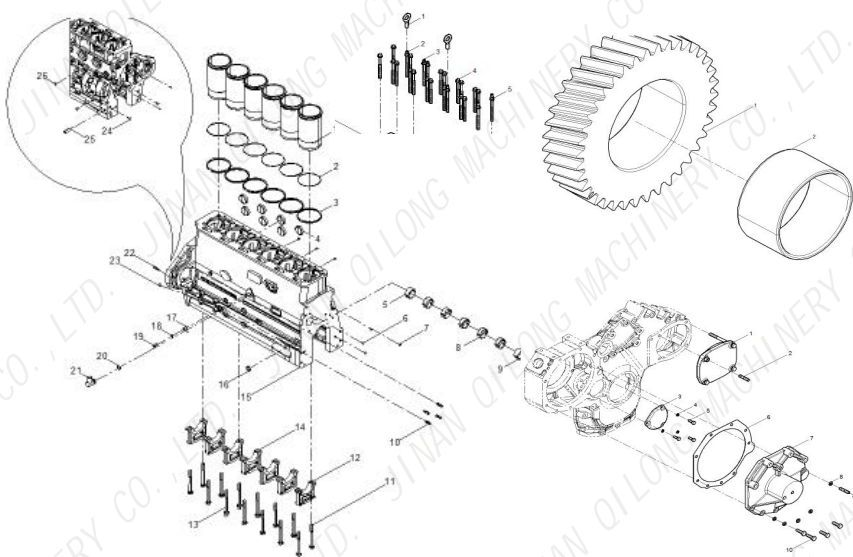












# SHACMAN(1)

## WP6Engine parts


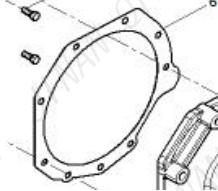


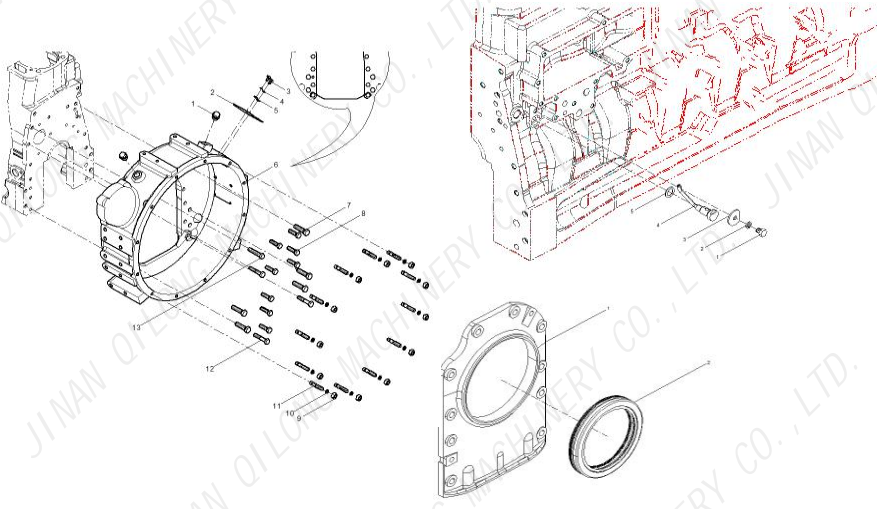




			Part No.	WP6.210E32	
			CH part name	道依茨发动机总成	
			EN part name	Deutz engine assembly	
			RU part name	Deutz двигатель в сборе	
			Size:mm		
			Weight:kg	850	
			NO.	<b>NO.B16</b>	
KD0437-2			KD0438-2		
	Part No.	13056682		Part No.	13022328
	CH part name	气缸套		CH part name	中间齿轮
	EN part name	Cylinder liner		EN part name	Idler gear
	RU part name	Гильза		RU part name	промежуточная передача
	Size:mm			Size:mm	
	Weight:kg	1.3		Weight:kg	4.3
	NO.	<b>NO.B16-1</b>		NO.	<b>NO.B16-1</b>
Remarks: weichai Deutz WP6.210E32			Remarks: weichai Deutz WP6.210E32		
KD0437-3			KD0438-3		
	Part No.	612639000030		Part No.	13022329
	CH part name	碗形塞		CH part name	中间齿轮衬套
	EN part name	Corehole plug		EN part name	Intermediate gear bushing
	RU part name	чаша пробка		RU part name	промежуточный втулка шестерни
	Size:mm	40*12		Size:mm	
	Weight:kg	0.1		Weight:kg	0.18
	NO.	<b>NO.B16-4</b>		NO.	<b>NO.B16-2</b>
Remarks: weichai Deutz WP6.210E32			Remarks: weichai Deutz WP6.210E32		
KD0437-4			KD0438-4		
	Part No.	12159599/13032911/13032912		Part No.	01153805
	CH part name	凸轮轴衬套		CH part name	气缸套O型密封圈
	EN part name	Bush		EN part name	O sealing ring for cylinder liner
	RU part name	втулка распредвала		RU part name	O - кольцо
	Size:mm			Size:mm	
	Weight:kg	0.7		Weight:kg	0.01
	NO.	<b>NO.B16-5-8-9</b>		NO.	<b>NO.B16-3</b>
Remarks: weichai Deutz WP6.210E32			Remarks: weichai Deutz WP6.210E32		

# SHACMAN(1)

DEUTZ WP6.210E32		NO.B16		KD0438-5			
						Part No.	01153804
						CH part name	气缸套O型密封圈
						EN part name	O sealing ring for cylinder liner
						RU part name	O - КОЛЬЦО
						Size:mm	
						Weight:kg	0.01
						NO.	<b>NO.B16-2</b>
Remarks: weichai Deutz WP6.210E32							
				KD0438-6			
						Part No.	13054252
						CH part name	气缸盖螺栓
						EN part name	Bolt
						RU part name	Болт
						Size:mm	
						Weight:kg	0.62
						NO.	<b>NO.B16-2</b>
Remarks:weichai Deutz 13054125 13054251 WP6.210E32							
KD0437-5				KD0438-7			
						Part No.	13057039
						CH part name	组合密封垫圈
						EN part name	Combination gasket
						RU part name	сочетание уплотнительный прокладка
						Size:mm	
						Weight:kg	0.01
						NO.	<b>NO.B16-12</b>
Remarks: weichai Deutz WP6.210E32							
KD0437-6				KD0438-8			
						Part No.	13066605
						CH part name	前端盖盖板
						EN part name	Cylinder block
						RU part name	блок цилиндров
						Size:mm	
						Weight:kg	650
						NO.	<b>NO.B16-14</b>
Remarks: weichai Deutz WP6.210E32							
KD0437-6				KD0438-8			
						Part No.	13066605
						CH part name	前端盖盖板
						EN part name	Cylinder block
						RU part name	блок цилиндров
						Size:mm	
						Weight:kg	650
						NO.	<b>NO.B16-14</b>
Remarks: weichai Deutz WP6.210E32							

# SHACMAN(1)






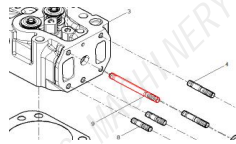
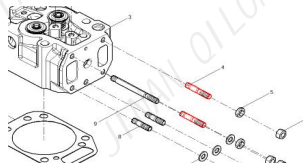
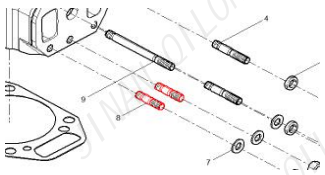
	<p>Part No. 13022340</p> <p>CH part name 盖</p> <p>EN part name Cover plate</p> <p>RU part name крышка</p> <p>Size:mm</p> <p>Weight:kg</p> <p>NO. <b>NO.B16-3</b></p>		<p>Part No. 1000578322</p> <p>CH part name 垫片</p> <p>EN part name gasket</p> <p>RU part name прокладка</p> <p>Size:mm</p> <p>Weight:kg 0.1</p> <p>NO. <b>NO.B16-6</b></p>
Remarks: weichai Deutz WP6.210E32		Remarks: weichai Deutz WP6.210E32	
	<p>Part No. 13027307</p> <p>CH part name 动力转向泵结合组</p> <p>EN part name</p> <p>RU part name</p> <p>Size:mm</p> <p>Weight:kg</p> <p>NO. <b>NO.B16-1</b></p>		<p>Part No. 12272177</p> <p>CH part name 后油封盖</p> <p>EN part name Rear oil seal</p> <p>RU part name нефти после закрытия</p> <p>Size:mm</p> <p>Weight:kg 1.8</p> <p>NO. <b>NO.C16-1</b></p>
Remarks: weichai Deutz WP6.210E32		Remarks: weichai Deutz WP6.210E32	
<b>After the flywheel end oil seal cover assembly NO.C16</b>			
			<p>Part No. 12189888</p> <p>CH part name 径向密封圈</p> <p>EN part name Radial seal ring</p> <p>RU part name радиальная уплотнительный кольцо</p> <p>Size:mm</p> <p>Weight:kg 0.15</p> <p>NO. <b>NO.C16-2</b></p>
Remarks:weichai WP6.210E32		Remarks:weichai WP6.210E32	
			<p>Part No. 13032457</p> <p>CH part name 飞轮壳</p> <p>EN part name Flywheel housing</p> <p>RU part name МАХОВИК</p> <p>Size:mm</p> <p>Weight:kg</p> <p>NO. <b>NO.C16-6</b></p>
Remarks:weichai WP6.210E32		Remarks:weichai WP6.210E32	

# SHACMAN(1)


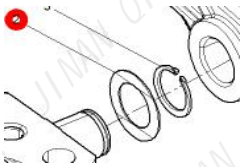
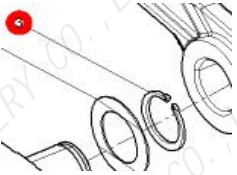

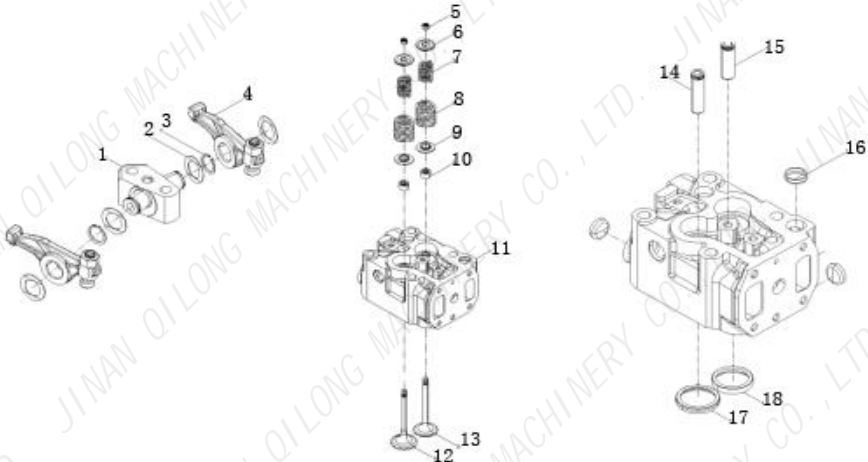


	<p>KD0437-9</p> <p><b>Part No.</b> 13031737</p> <p><b>CH part name</b> 冷却喷嘴组件</p> <p><b>EN part name</b> Cooling nozzle assembly</p> <p><b>RU part name</b> сопло охлаждающего компонента</p> <p><b>Size:mm</b></p> <p><b>Weight:kg</b></p> <p><b>NO.</b> <b>NO.C16-4</b></p>		<p>KD0438-13</p> <p><b>Part No.</b> 13053431</p> <p><b>CH part name</b> 气缸盖罩</p> <p><b>EN part name</b> Cylinder head cover</p> <p><b>RU part name</b> крышка цилиндра</p> <p><b>Size:mm</b></p> <p><b>Weight:kg</b></p> <p><b>NO.</b> <b>NO.D16-4</b></p>
Remarks:weichai WP6.210E32		Remarks:weichai WP6.210E32	
	<p>KD0437-10</p> <p><b>Part No.</b> 13053771</p> <p><b>CH part name</b> 气缸盖罩密封垫</p> <p><b>EN part name</b> Gasket for cylinder head cover</p> <p><b>RU part name</b> головка цилиндра покрытия прокладка</p> <p><b>Size:mm</b></p> <p><b>Weight:kg</b> 0.01</p> <p><b>NO.</b> <b>NO.D16-5</b></p>		<p>KD0438-14</p> <p><b>Part No.</b> 13058396/13058397</p> <p><b>CH part name</b> 上下止推片</p> <p><b>EN part name</b> Thrust plate</p> <p><b>RU part name</b> направленность кусок</p> <p><b>Size:mm</b></p> <p><b>Weight:kg</b> 0.032</p> <p><b>NO.</b> <b>NO.D16-12</b></p>
Remarks:weichai WP6.210E32		Remarks:weichai WP6.210E32	
<p><b>cylinder head</b> <b>NO.D16</b></p>		<p>KD0438-15</p>	
			<p><b>Part No.</b> 12165572</p> <p><b>CH part name</b> 机油口螺塞</p> <p><b>EN part name</b> Oil plug</p> <p><b>RU part name</b> масляный Export пробка</p> <p><b>Size:mm</b></p> <p><b>Weight:kg</b> 0.2</p> <p><b>NO.</b> <b>NO.D16-1</b></p>
		Remarks:weichai WP6.210E32	
			<p>KD0438-16</p> <p><b>Part No.</b> 612600080201</p> <p><b>CH part name</b> 密封垫圈</p> <p><b>EN part name</b> Seal washer</p> <p><b>RU part name</b> уплотнительный прокладка</p> <p><b>Size:mm</b></p> <p><b>Weight:kg</b> 0.01</p> <p><b>NO.</b> <b>NO.D16-3</b></p>
		Remarks:weichai WP6.210E32	



# SHACMAN(1)

	<p>Part No. 06214722            CH part name O型密封圈            EN part name O type sealing ring            RU part name O - кольцо            Size:mm            Weight:kg 0.01            NO. <b>NO.D16-2</b></p>		<p>Part No. 13034907            CH part name 主轴瓦组件            EN part name Spindle assembly            RU part name шпиндель плитки компонент            Size:mm            Weight:kg 1.7            NO. <b>NO.D16-13</b></p>
Remarks:weichai WP6.210E32		Remarks:weichai WP6.210E32 13034886 上 13034887 下	
	<p>Part No. 13037828            CH part name 摇臂座组件            EN part name Rocker arm seat assembly            RU part name рокер сиденья в сборе            Size:mm            Weight:kg            NO. <b>NO.D16-6</b></p>		<p>Part No. 13032055            CH part name 气缸盖分总成            EN part name Cylinder head split assembly            RU part name рым цилиндровой крышки            Size:mm            Weight:kg            NO. <b>NO.D16-8</b></p>
Remarks:weichai WP6.210E32		Remarks:weichai WP6.210E32	
	<p>Part No. 13026701            CH part name 气缸垫片            EN part name Cylinder gasket            RU part name прокладка цилиндра            Size:mm            Weight:kg            NO. <b>NO.D16-9</b></p>		<p>Part No. 90011520048            CH part name 双头螺柱            EN part name Stud stud            RU part name жеребец            Size:mm            Weight:kg            NO. <b>NO.D16-10</b></p>
Remarks:weichai WP6.210E32 13059912		Remarks:weichai WP6.210E32	
	<p>Part No. 13032347            CH part name 双头螺柱            EN part name Stud stud            RU part name жеребец            Size:mm            Weight:kg            NO. <b>NO.D16-11</b></p>		<p>Part No. 90011520049            CH part name 双头螺柱            EN part name Stud stud            RU part name жеребец            Size:mm            Weight:kg            NO. <b>NO.D16-14</b></p>
Remarks:weichai WP6.210E32		Remarks:weichai WP6.210E32	





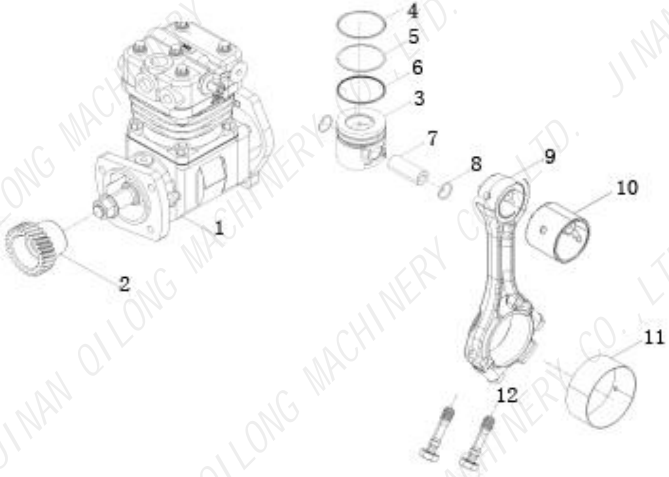


# SHACMAN(1)

	<p>KD0437-15</p> <table border="1"> <tr><td>Part No.</td><td>12159630</td></tr> <tr><td>CH part name</td><td>摇臂座</td></tr> <tr><td>EN part name</td><td>Rocker arm seat</td></tr> <tr><td>RU part name</td><td>рокер место</td></tr> <tr><td>Size:mm</td><td></td></tr> <tr><td>Weight:kg</td><td></td></tr> <tr><td>NO.</td><td><b>NO.E16-1</b></td></tr> </table>	Part No.	12159630	CH part name	摇臂座	EN part name	Rocker arm seat	RU part name	рокер место	Size:mm		Weight:kg		NO.	<b>NO.E16-1</b>	<p>KD0438-21</p> 	<table border="1"> <tr><td>Part No.</td><td>12165314</td></tr> <tr><td>CH part name</td><td>蝶型弹簧垫圈</td></tr> <tr><td>EN part name</td><td>Spring washer</td></tr> <tr><td>RU part name</td><td>пружинная шайба</td></tr> <tr><td>Size:mm</td><td></td></tr> <tr><td>Weight:kg</td><td></td></tr> <tr><td>NO.</td><td><b>NO.E16-2</b></td></tr> </table>	Part No.	12165314	CH part name	蝶型弹簧垫圈	EN part name	Spring washer	RU part name	пружинная шайба	Size:mm		Weight:kg		NO.	<b>NO.E16-2</b>
Part No.	12159630																														
CH part name	摇臂座																														
EN part name	Rocker arm seat																														
RU part name	рокер место																														
Size:mm																															
Weight:kg																															
NO.	<b>NO.E16-1</b>																														
Part No.	12165314																														
CH part name	蝶型弹簧垫圈																														
EN part name	Spring washer																														
RU part name	пружинная шайба																														
Size:mm																															
Weight:kg																															
NO.	<b>NO.E16-2</b>																														
Remarks:weichai WP6.210E32		Remarks:weichai WP6.210E32																													
	<p>KD0437-16</p> <table border="1"> <tr><td>Part No.</td><td>90014690003</td></tr> <tr><td>CH part name</td><td>轴用弹性挡圈</td></tr> <tr><td>EN part name</td><td>External Circlips</td></tr> <tr><td>RU part name</td><td>гибкий вал с кольцо</td></tr> <tr><td>Size:mm</td><td></td></tr> <tr><td>Weight:kg</td><td>0.01</td></tr> <tr><td>NO.</td><td><b>NO.E16-3</b></td></tr> </table>	Part No.	90014690003	CH part name	轴用弹性挡圈	EN part name	External Circlips	RU part name	гибкий вал с кольцо	Size:mm		Weight:kg	0.01	NO.	<b>NO.E16-3</b>	<p>KD0438-22</p> 	<table border="1"> <tr><td>Part No.</td><td>13037827</td></tr> <tr><td>CH part name</td><td>摇臂分组件</td></tr> <tr><td>EN part name</td><td>Rocker arm subassembly</td></tr> <tr><td>RU part name</td><td>рокер сборки</td></tr> <tr><td>Size:mm</td><td></td></tr> <tr><td>Weight:kg</td><td></td></tr> <tr><td>NO.</td><td><b>NO.E16-4</b></td></tr> </table>	Part No.	13037827	CH part name	摇臂分组件	EN part name	Rocker arm subassembly	RU part name	рокер сборки	Size:mm		Weight:kg		NO.	<b>NO.E16-4</b>
Part No.	90014690003																														
CH part name	轴用弹性挡圈																														
EN part name	External Circlips																														
RU part name	гибкий вал с кольцо																														
Size:mm																															
Weight:kg	0.01																														
NO.	<b>NO.E16-3</b>																														
Part No.	13037827																														
CH part name	摇臂分组件																														
EN part name	Rocker arm subassembly																														
RU part name	рокер сборки																														
Size:mm																															
Weight:kg																															
NO.	<b>NO.E16-4</b>																														
Remarks:weichai WP6.210E32		Remarks:weichai WP6.210E32 13037791																													
<p><b>Rocker seat and valve mechanism</b>      <b>NO.E16</b></p>		<p>KD0438-23</p>																													
			<table border="1"> <tr><td>Part No.</td><td>12159526/12159522</td></tr> <tr><td>CH part name</td><td>调节螺钉及螺母</td></tr> <tr><td>EN part name</td><td>Adjusting screw and nut</td></tr> <tr><td>RU part name</td><td>регулирующий винт и гайка</td></tr> <tr><td>Size:mm</td><td></td></tr> <tr><td>Weight:kg</td><td></td></tr> <tr><td>NO.</td><td><b>NO.E16-4</b></td></tr> </table>	Part No.	12159526/12159522	CH part name	调节螺钉及螺母	EN part name	Adjusting screw and nut	RU part name	регулирующий винт и гайка	Size:mm		Weight:kg		NO.	<b>NO.E16-4</b>														
Part No.	12159526/12159522																														
CH part name	调节螺钉及螺母																														
EN part name	Adjusting screw and nut																														
RU part name	регулирующий винт и гайка																														
Size:mm																															
Weight:kg																															
NO.	<b>NO.E16-4</b>																														
Remarks:weichai WP6.210E32		Remarks:weichai WP6.210E32																													
<p>KD0438-24</p>			<table border="1"> <tr><td>Part No.</td><td>12164698</td></tr> <tr><td>CH part name</td><td>气门锁夹</td></tr> <tr><td>EN part name</td><td>Valve collet</td></tr> <tr><td>RU part name</td><td>вентиль блокировки</td></tr> <tr><td>Size:mm</td><td></td></tr> <tr><td>Weight:kg</td><td></td></tr> <tr><td>NO.</td><td><b>NO.E16-5</b></td></tr> </table>	Part No.	12164698	CH part name	气门锁夹	EN part name	Valve collet	RU part name	вентиль блокировки	Size:mm		Weight:kg		NO.	<b>NO.E16-5</b>														
Part No.	12164698																														
CH part name	气门锁夹																														
EN part name	Valve collet																														
RU part name	вентиль блокировки																														
Size:mm																															
Weight:kg																															
NO.	<b>NO.E16-5</b>																														
Remarks:weichai WP6.210E32		Remarks:weichai WP6.210E32																													









# SHACMAN(1)

	<p>KD0437-17</p> <table border="1"> <tr><td>Part No.</td><td>12164645</td></tr> <tr><td>CH part name</td><td>气门弹簧座</td></tr> <tr><td>EN part name</td><td>Valve spring seat</td></tr> <tr><td>RU part name</td><td>пружина клапана сиденья</td></tr> <tr><td>Size:mm</td><td></td></tr> <tr><td>Weight:kg</td><td></td></tr> <tr><td>NO.</td><td><b>NO.E16-6</b></td></tr> </table>	Part No.	12164645	CH part name	气门弹簧座	EN part name	Valve spring seat	RU part name	пружина клапана сиденья	Size:mm		Weight:kg		NO.	<b>NO.E16-6</b>		<p>KD0438-25</p> <table border="1"> <tr><td>Part No.</td><td>01222009</td></tr> <tr><td>CH part name</td><td>气门弹簧</td></tr> <tr><td>EN part name</td><td>Valve spring</td></tr> <tr><td>RU part name</td><td>пружина клапана</td></tr> <tr><td>Size:mm</td><td></td></tr> <tr><td>Weight:kg</td><td></td></tr> <tr><td>NO.</td><td><b>NO.E16-7</b></td></tr> </table>	Part No.	01222009	CH part name	气门弹簧	EN part name	Valve spring	RU part name	пружина клапана	Size:mm		Weight:kg		NO.	<b>NO.E16-7</b>
Part No.	12164645																														
CH part name	气门弹簧座																														
EN part name	Valve spring seat																														
RU part name	пружина клапана сиденья																														
Size:mm																															
Weight:kg																															
NO.	<b>NO.E16-6</b>																														
Part No.	01222009																														
CH part name	气门弹簧																														
EN part name	Valve spring																														
RU part name	пружина клапана																														
Size:mm																															
Weight:kg																															
NO.	<b>NO.E16-7</b>																														
Remarks:weichai WP6.210E32		Remarks:weichai WP6.210E32																													
	<p>KD0437-18</p> <table border="1"> <tr><td>Part No.</td><td>01222051</td></tr> <tr><td>CH part name</td><td>气门弹簧</td></tr> <tr><td>EN part name</td><td>Valve spring</td></tr> <tr><td>RU part name</td><td>пружина клапана</td></tr> <tr><td>Size:mm</td><td></td></tr> <tr><td>Weight:kg</td><td></td></tr> <tr><td>NO.</td><td><b>NO.E16-8</b></td></tr> </table>	Part No.	01222051	CH part name	气门弹簧	EN part name	Valve spring	RU part name	пружина клапана	Size:mm		Weight:kg		NO.	<b>NO.E16-8</b>		<p>KD0438-26</p> <table border="1"> <tr><td>Part No.</td><td>13024293</td></tr> <tr><td>CH part name</td><td>气门弹簧下座</td></tr> <tr><td>EN part name</td><td>Valve spring lower seat</td></tr> <tr><td>RU part name</td><td>место, клапан, весна</td></tr> <tr><td>Size:mm</td><td></td></tr> <tr><td>Weight:kg</td><td></td></tr> <tr><td>NO.</td><td><b>NO.E16-9</b></td></tr> </table>	Part No.	13024293	CH part name	气门弹簧下座	EN part name	Valve spring lower seat	RU part name	место, клапан, весна	Size:mm		Weight:kg		NO.	<b>NO.E16-9</b>
Part No.	01222051																														
CH part name	气门弹簧																														
EN part name	Valve spring																														
RU part name	пружина клапана																														
Size:mm																															
Weight:kg																															
NO.	<b>NO.E16-8</b>																														
Part No.	13024293																														
CH part name	气门弹簧下座																														
EN part name	Valve spring lower seat																														
RU part name	место, клапан, весна																														
Size:mm																															
Weight:kg																															
NO.	<b>NO.E16-9</b>																														
Remarks:weichai WP6.210E32		Remarks:weichai WP6.210E32																													
	<p>KD0437-19</p> <table border="1"> <tr><td>Part No.</td><td>13023391</td></tr> <tr><td>CH part name</td><td>气门阀杆密封套</td></tr> <tr><td>EN part name</td><td>The valve stem seal sleeve</td></tr> <tr><td>RU part name</td><td>пневмоаппарат</td></tr> <tr><td>Size:mm</td><td></td></tr> <tr><td>Weight:kg</td><td></td></tr> <tr><td>NO.</td><td><b>NO.E16-10</b></td></tr> </table>	Part No.	13023391	CH part name	气门阀杆密封套	EN part name	The valve stem seal sleeve	RU part name	пневмоаппарат	Size:mm		Weight:kg		NO.	<b>NO.E16-10</b>		<p>KD0438-27</p> <table border="1"> <tr><td>Part No.</td><td>13028585</td></tr> <tr><td>CH part name</td><td>气缸盖组件</td></tr> <tr><td>EN part name</td><td>Cylinder head assembly</td></tr> <tr><td>RU part name</td><td>компонент головка цилиндра</td></tr> <tr><td>Size:mm</td><td></td></tr> <tr><td>Weight:kg</td><td></td></tr> <tr><td>NO.</td><td><b>NO.E16-11</b></td></tr> </table>	Part No.	13028585	CH part name	气缸盖组件	EN part name	Cylinder head assembly	RU part name	компонент головка цилиндра	Size:mm		Weight:kg		NO.	<b>NO.E16-11</b>
Part No.	13023391																														
CH part name	气门阀杆密封套																														
EN part name	The valve stem seal sleeve																														
RU part name	пневмоаппарат																														
Size:mm																															
Weight:kg																															
NO.	<b>NO.E16-10</b>																														
Part No.	13028585																														
CH part name	气缸盖组件																														
EN part name	Cylinder head assembly																														
RU part name	компонент головка цилиндра																														
Size:mm																															
Weight:kg																															
NO.	<b>NO.E16-11</b>																														
Remarks:weichai WP6.210E32		Remarks:weichai WP6.210E32																													
	<p>KD0437-20</p> <table border="1"> <tr><td>Part No.</td><td>12159608</td></tr> <tr><td>CH part name</td><td>排气门</td></tr> <tr><td>EN part name</td><td>Exhaust valve</td></tr> <tr><td>RU part name</td><td>клапан выпускной</td></tr> <tr><td>Size:mm</td><td></td></tr> <tr><td>Weight:kg</td><td></td></tr> <tr><td>NO.</td><td><b>NO.E16-13</b></td></tr> </table>	Part No.	12159608	CH part name	排气门	EN part name	Exhaust valve	RU part name	клапан выпускной	Size:mm		Weight:kg		NO.	<b>NO.E16-13</b>		<p>KD0438-28</p> <table border="1"> <tr><td>Part No.</td><td>12159606</td></tr> <tr><td>CH part name</td><td>进气门</td></tr> <tr><td>EN part name</td><td>Intake valve</td></tr> <tr><td>RU part name</td><td>клапан впускной</td></tr> <tr><td>Size:mm</td><td></td></tr> <tr><td>Weight:kg</td><td></td></tr> <tr><td>NO.</td><td><b>NO.E16-12</b></td></tr> </table>	Part No.	12159606	CH part name	进气门	EN part name	Intake valve	RU part name	клапан впускной	Size:mm		Weight:kg		NO.	<b>NO.E16-12</b>
Part No.	12159608																														
CH part name	排气门																														
EN part name	Exhaust valve																														
RU part name	клапан выпускной																														
Size:mm																															
Weight:kg																															
NO.	<b>NO.E16-13</b>																														
Part No.	12159606																														
CH part name	进气门																														
EN part name	Intake valve																														
RU part name	клапан впускной																														
Size:mm																															
Weight:kg																															
NO.	<b>NO.E16-12</b>																														
Remarks:weichai WP6.210E32		Remarks:weichai WP6.210E32																													





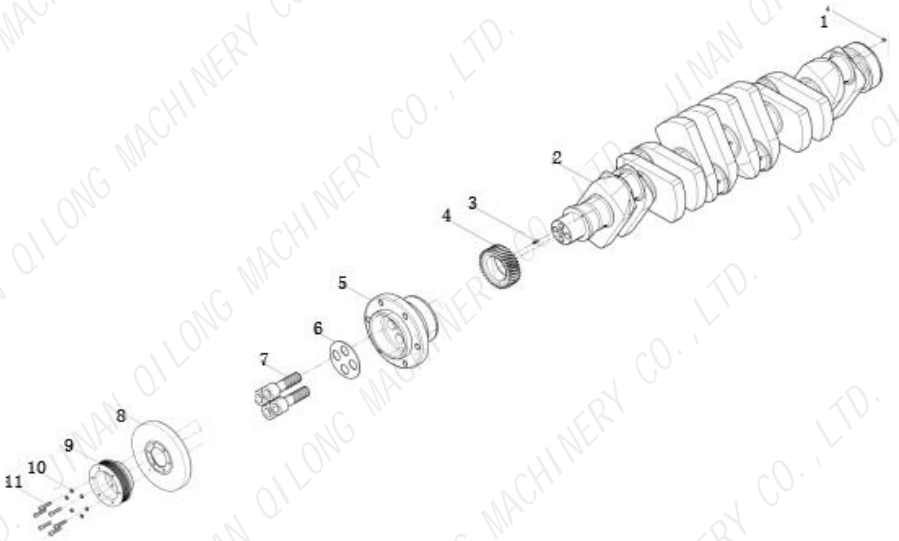


# SHACMAN(1)

KD0437-21			KD0438-29		
	Part No.	13026864		Part No.	13026863
	CH part name	排气门导管		CH part name	进气门导管
	EN part name	Exhaust valve guide		EN part name	Intake valve guide
	RU part name	Направляющая выпускного клапана		RU part name	Впускной клапан
	Size:mm			Size:mm	
	Weight:kg			Weight:kg	
	NO.	<b>NO.E16-15</b>		NO.	<b>NO.E16-14</b>
Remarks:weichai WP6.210E32			Remarks:weichai WP6.210E32		
KD0437-22			KD0438-30		
	Part No.	612600040634		Part No.	13026865
	CH part name	碗形塞		CH part name	进气门座
	EN part name	Bowl plug		EN part name	Intake valve seat
	RU part name	Пробка		RU part name	Седло впускного клапана
	Size:mm			Size:mm	
	Weight:kg			Weight:kg	
	NO.	<b>NO.E16-16</b>		NO.	<b>NO.E16-17</b>
Remarks:weichai WP6.210E32			Remarks:weichai WP6.210E32		
Air compressor/Piston, connecting rod <b>NO.F16</b>			KD0438-31		
				Part No.	13058468
				CH part name	排气门座
				EN part name	Exhaust valve seat
				RU part name	Седло выхлопного клапана
				Size:mm	
				Weight:kg	
				NO.	<b>NO.E16-18</b>
Remarks:weichai WP6.210E32			Remarks:weichai WP6.210E32		
			KD0438-32		
				Part No.	13062016
				CH part name	空压机
				EN part name	Air compressor
				RU part name	Воздушный компрессор
				Size:mm	
				Weight:kg	
				NO.	<b>NO.F16-1</b>
Remarks:weichai WP6.210E32			Remarks:weichai WP6.210E32		



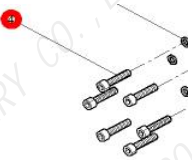
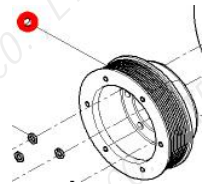
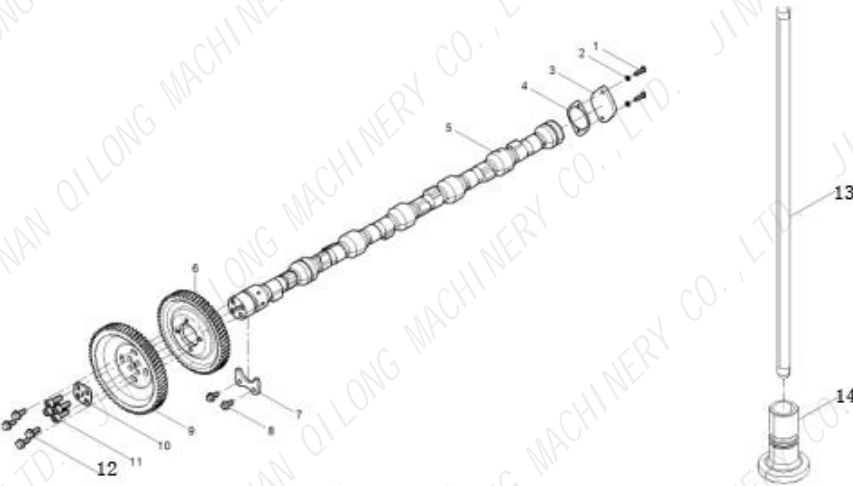


# SHACMAN(1)

KD0437-23			KD0438-33		
	Part No.	13032155		Part No.	13024212
	CH part name	活塞总成		CH part name	空压机齿轮
	EN part name	Piston assembly		EN part name	Air compressor gear
	RU part name	Поршневая сборка		RU part name	Воздушный компрессор
	Size:mm			Size:mm	
	Weight:kg			Weight:kg	
	NO.	<b>NO.F16-3</b>		NO.	<b>NO.F16-2</b>
Remarks:weichai WP6.210E32 13032095			Remarks:weichai WP6.210E32		
KD0437-24			KD0438-34		
	Part No.	13053248		Part No.	13022348
	CH part name	连杆组件		CH part name	活塞环
	EN part name	Connecting rod assembly		EN part name	Piston ring
	RU part name	Соединительная тяга		RU part name	Поршневое кольцо
	Size:mm			Size:mm	
	Weight:kg			Weight:kg	
	NO.	<b>NO.F16-9</b>		NO.	<b>NO.F16-4/5/6</b>
Remarks:weichai WP6.210E32			Remarks:weichai WP6.210E32 13026703 13022349 13026702		
KD0437-25			KD0438-35		
	Part No.	12152378		Part No.	12151395
	CH part name	活塞销		CH part name	活塞销挡圈
	EN part name	Piston pin		EN part name	Piston retainer ring
	RU part name	Поршневой штифт		RU part name	Поршневое фиксирующее кольцо
	Size:mm			Size:mm	
	Weight:kg			Weight:kg	
	NO.	<b>NO.F16-7</b>		NO.	<b>NO.F16-8</b>
Remarks:weichai WP6.210E32			Remarks:weichai WP6.210E32		
KD0437-26			KD0438-36		
	Part No.	13034907		Part No.	13038395
	CH part name	主轴瓦组件		CH part name	连杆衬套
	EN part name	Main bearing assembly		EN part name	Connecting rod bushing
	RU part name	Главный подшипниковый узел		RU part name	Втулка шатуна
	Size:mm			Size:mm	
	Weight:kg			Weight:kg	
	NO.	<b>NO.F16-11</b>		NO.	<b>NO.F16-10</b>
Remarks:weichai WP6.210E32 13056110 13056109			Remarks:weichai WP6.210E32		




# SHACMAN(1)

	<p>KD0437-27</p> <table border="1"> <tr><td>Part No.</td><td>12167047</td></tr> <tr><td>CH part name</td><td>连杆螺栓</td></tr> <tr><td>EN part name</td><td>Connecting rod bolt</td></tr> <tr><td>RU part name</td><td>Болт соединительной тяги</td></tr> <tr><td>Size:mm</td><td></td></tr> <tr><td>Weight:kg</td><td></td></tr> <tr><td>NO.</td><td><b>NO.F16-12</b></td></tr> </table>	Part No.	12167047	CH part name	连杆螺栓	EN part name	Connecting rod bolt	RU part name	Болт соединительной тяги	Size:mm		Weight:kg		NO.	<b>NO.F16-12</b>		<p>KD0438-37</p> <table border="1"> <tr><td>Part No.</td><td>13031181</td></tr> <tr><td>CH part name</td><td>曲轴</td></tr> <tr><td>EN part name</td><td>Crankshaft</td></tr> <tr><td>RU part name</td><td>коленчатый вал</td></tr> <tr><td>Size:mm</td><td></td></tr> <tr><td>Weight:kg</td><td></td></tr> <tr><td>NO.</td><td><b>NO.G16-2</b></td></tr> </table>	Part No.	13031181	CH part name	曲轴	EN part name	Crankshaft	RU part name	коленчатый вал	Size:mm		Weight:kg		NO.	<b>NO.G16-2</b>
Part No.	12167047																														
CH part name	连杆螺栓																														
EN part name	Connecting rod bolt																														
RU part name	Болт соединительной тяги																														
Size:mm																															
Weight:kg																															
NO.	<b>NO.F16-12</b>																														
Part No.	13031181																														
CH part name	曲轴																														
EN part name	Crankshaft																														
RU part name	коленчатый вал																														
Size:mm																															
Weight:kg																															
NO.	<b>NO.G16-2</b>																														
Remarks:weichai WP6.210E32		Remarks:weichai WP6.210E32																													
	<p>KD0437-28</p> <table border="1"> <tr><td>Part No.</td><td>13022334</td></tr> <tr><td>CH part name</td><td>曲轴正时齿轮</td></tr> <tr><td>EN part name</td><td>Crankshaft timing gear</td></tr> <tr><td>RU part name</td><td>Коробка передач коленчатого вала</td></tr> <tr><td>Size:mm</td><td></td></tr> <tr><td>Weight:kg</td><td></td></tr> <tr><td>NO.</td><td><b>NO.G16-4</b></td></tr> </table>	Part No.	13022334	CH part name	曲轴正时齿轮	EN part name	Crankshaft timing gear	RU part name	Коробка передач коленчатого вала	Size:mm		Weight:kg		NO.	<b>NO.G16-4</b>		<p>KD0438-38</p> <table border="1"> <tr><td>Part No.</td><td>90015100007</td></tr> <tr><td>CH part name</td><td>弹性圆柱销</td></tr> <tr><td>EN part name</td><td>Elastic cylindrical pin</td></tr> <tr><td>RU part name</td><td>Упругий цилиндрический штифт</td></tr> <tr><td>Size:mm</td><td></td></tr> <tr><td>Weight:kg</td><td></td></tr> <tr><td>NO.</td><td><b>NO.G16-3</b></td></tr> </table>	Part No.	90015100007	CH part name	弹性圆柱销	EN part name	Elastic cylindrical pin	RU part name	Упругий цилиндрический штифт	Size:mm		Weight:kg		NO.	<b>NO.G16-3</b>
Part No.	13022334																														
CH part name	曲轴正时齿轮																														
EN part name	Crankshaft timing gear																														
RU part name	Коробка передач коленчатого вала																														
Size:mm																															
Weight:kg																															
NO.	<b>NO.G16-4</b>																														
Part No.	90015100007																														
CH part name	弹性圆柱销																														
EN part name	Elastic cylindrical pin																														
RU part name	Упругий цилиндрический штифт																														
Size:mm																															
Weight:kg																															
NO.	<b>NO.G16-3</b>																														
Remarks:weichai WP6.210E32		Remarks:weichai WP6.210E32																													
<p><b>Crankshaft assembly</b></p>		<p><b>NO.G16</b></p>																													
			<p>KD0438-39</p> <table border="1"> <tr><td>Part No.</td><td>12190647</td></tr> <tr><td>CH part name</td><td>轮毂</td></tr> <tr><td>EN part name</td><td>Wheel</td></tr> <tr><td>RU part name</td><td>хаб</td></tr> <tr><td>Size:mm</td><td></td></tr> <tr><td>Weight:kg</td><td></td></tr> <tr><td>NO.</td><td><b>NO.G16-5</b></td></tr> </table>	Part No.	12190647	CH part name	轮毂	EN part name	Wheel	RU part name	хаб	Size:mm		Weight:kg		NO.	<b>NO.G16-5</b>														
Part No.	12190647																														
CH part name	轮毂																														
EN part name	Wheel																														
RU part name	хаб																														
Size:mm																															
Weight:kg																															
NO.	<b>NO.G16-5</b>																														
Remarks:weichai WP6.210E32		Remarks:weichai WP6.210E32																													
			<p>KD0438-40</p> <table border="1"> <tr><td>Part No.</td><td>12160534</td></tr> <tr><td>CH part name</td><td>垫片</td></tr> <tr><td>EN part name</td><td>Gasket</td></tr> <tr><td>RU part name</td><td>распорка</td></tr> <tr><td>Size:mm</td><td></td></tr> <tr><td>Weight:kg</td><td></td></tr> <tr><td>NO.</td><td><b>NO.G16-6</b></td></tr> </table>	Part No.	12160534	CH part name	垫片	EN part name	Gasket	RU part name	распорка	Size:mm		Weight:kg		NO.	<b>NO.G16-6</b>														
Part No.	12160534																														
CH part name	垫片																														
EN part name	Gasket																														
RU part name	распорка																														
Size:mm																															
Weight:kg																															
NO.	<b>NO.G16-6</b>																														
Remarks:weichai WP6.210E32		Remarks:weichai WP6.210E32																													

# SHACMAN(1)





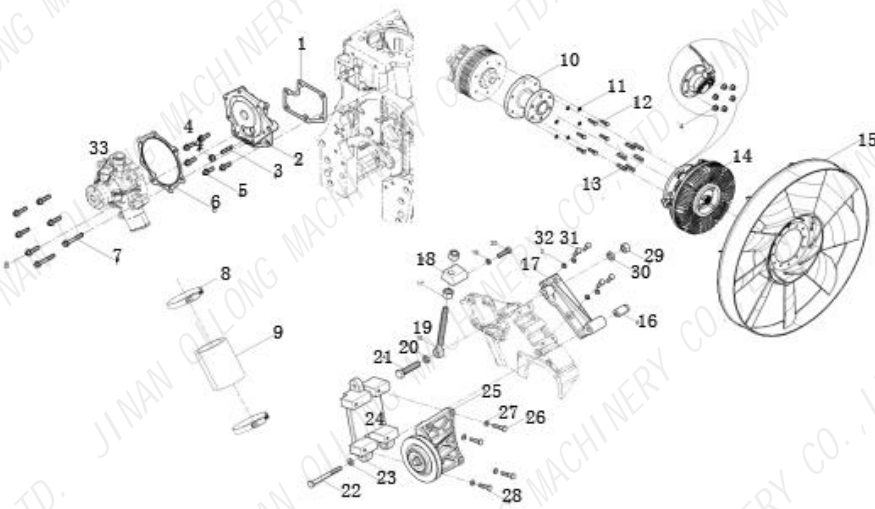


	<p>Part No. 13034087</p> <p>CH part name 硅油减振器</p> <p>EN part name Silicone shock absorber</p> <p>RU part name Силиконовый амортизатор</p> <p>Size:mm</p> <p>Weight:kg</p> <p>NO. <b>NO.G16-8</b></p>		<p>Part No. 90013050084</p> <p>CH part name 内六角圆柱头螺钉</p> <p>EN part name Hexagon socket head cap screws</p> <p>RU part name Винты с шестигранной головкой</p> <p>Size:mm</p> <p>Weight:kg</p> <p>NO. <b>NO.G16-7</b></p>
Remarks:weichai WP6.210E32		Remarks:weichai WP6.210E32	
	<p>Part No. 1110678</p> <p>CH part name 内六角圆柱头螺钉</p> <p>EN part name Hexagon socket head cap screws</p> <p>RU part name Винты с шестигранной головкой</p> <p>Size:mm</p> <p>Weight:kg</p> <p>NO. <b>NO.G16-11</b></p>		<p>Part No. 13066696</p> <p>CH part name 曲轴皮带轮</p> <p>EN part name Crankshaft pulley</p> <p>RU part name Шкив коленчатого вала</p> <p>Size:mm</p> <p>Weight:kg</p> <p>NO. <b>NO.G16-9</b></p>
Remarks:SHACMAN		Remarks:weichai WP6.210E32	
Camshaft and valve drive		<b>NO.H16</b>	
			<p>Part No. 13031471</p> <p>CH part name 凸轮轴</p> <p>EN part name Camshaft</p> <p>RU part name распределительный вал</p> <p>Size:mm</p> <p>Weight:kg</p> <p>NO. <b>NO.H16-5</b></p>
Remarks:weichai WP6.210E32		Remarks:weichai WP6.210E32	
		<p>Part No. 13024211</p> <p>CH part name 空压机传动齿轮</p> <p>EN part name Air compressor gear</p> <p>RU part name Воздушный компрессор</p> <p>Size:mm</p> <p>Weight:kg</p> <p>NO. <b>NO.H16-6</b></p>	<p>Part No. 13024211</p> <p>CH part name 空压机传动齿轮</p> <p>EN part name Air compressor gear</p> <p>RU part name Воздушный компрессор</p> <p>Size:mm</p> <p>Weight:kg</p> <p>NO. <b>NO.H16-6</b></p>
Remarks:weichai WP6.210E32		Remarks:weichai WP6.210E32	

# SHACMAN(1)

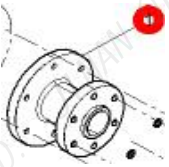



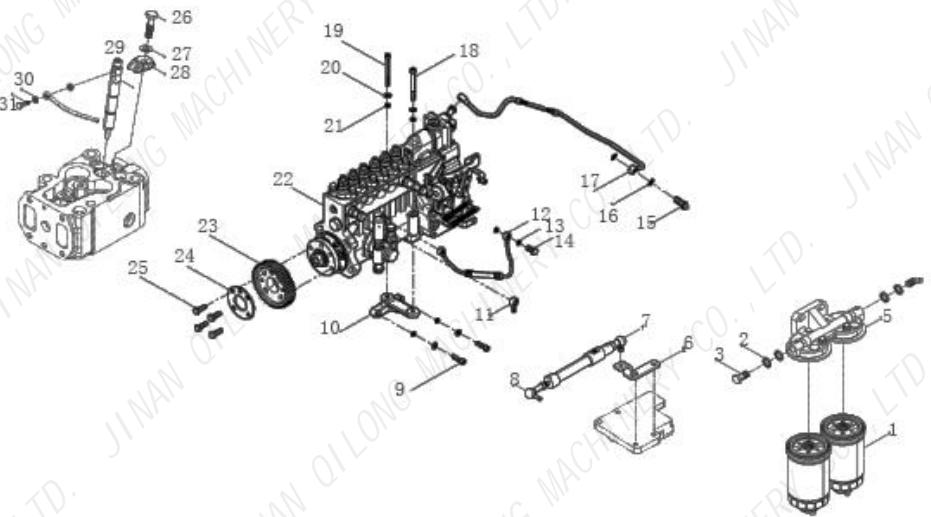


	KD0437-33 <b>Part No.</b> 12159721 <b>CH part name</b> 扇形板 <b>EN part name</b> Fan board <b>RU part name</b> Доска объявлений <b>Size:mm</b> <b>Weight:kg</b> 0.13 <b>NO.</b> <b>NO.H16-7</b>		KD0438-45 <b>Part No.</b> 01157294 <b>CH part name</b> 六角法兰承面带齿螺栓 <b>EN part name</b> Hex flange bearing tooth bolt <b>RU part name</b> Зубчатый болт с шестигранным фланцем <b>Size:mm</b> <b>Weight:kg</b> 0.1 <b>NO.</b> <b>NO.H16-8</b>
Remarks:weichai WP6.210E32		Remarks:weichai WP6.210E32	
	KD0437-34 <b>Part No.</b> 12189556 <b>CH part name</b> 凸轮轴正时齿轮 <b>EN part name</b> Camshaft timing gear <b>RU part name</b> Датчик положения распределительного вала <b>Size:mm</b> <b>Weight:kg</b> 2.53 <b>NO.</b> <b>NO.H16-9</b>		KD0438-46 <b>Part No.</b> 12189558 <b>CH part name</b> 法兰 <b>EN part name</b> Flange <b>RU part name</b> фланец <b>Size:mm</b> <b>Weight:kg</b> 0.12 <b>NO.</b> <b>NO.H16-10</b>
Remarks:weichai WP6.210E32		Remarks:weichai WP6.210E32	
	KD0437-35 <b>Part No.</b> 12159194 <b>CH part name</b> 推杆 <b>EN part name</b> Putter <b>RU part name</b> лодырничать <b>Size:mm</b> <b>Weight:kg</b> <b>NO.</b> <b>NO.H16-13</b>		KD0438-47 <b>Part No.</b> 01139989 <b>CH part name</b> 内六角圆柱头螺钉 <b>EN part name</b> Hexagon socket head cap screws <b>RU part name</b> Винты с шестигранной головкой <b>Size:mm</b> <b>Weight:kg</b> 0.1 <b>NO.</b> <b>NO.H16-11</b>
Remarks:weichai WP6.210E32		Remarks:weichai WP6.210E32	
	KD0437-36 <b>Part No.</b> 12273399 <b>CH part name</b> 挺柱 <b>EN part name</b> Tappet <b>RU part name</b> толкатель <b>Size:mm</b> <b>Weight:kg</b> <b>NO.</b> <b>NO.H16-13</b>		KD0438-48 <b>Part No.</b> 01157293 <b>CH part name</b> 六角法兰承面带齿螺栓 <b>EN part name</b> Hex flange bearing tooth bolt <b>RU part name</b> Зубчатый болт <b>Size:mm</b> <b>Weight:kg</b> <b>NO.</b> <b>NO.H16-12</b>
Remarks:weichai WP6.210E32		Remarks:weichai WP6.210E32	



# SHACMAN(1)

	<table border="1"> <tr><td>Part No.</td><td>13072378</td></tr> <tr><td>CH part name</td><td>水泵密封垫</td></tr> <tr><td>EN part name</td><td>Pump seal</td></tr> <tr><td>RU part name</td><td>Уплотнение насоса</td></tr> <tr><td>Size:mm</td><td></td></tr> <tr><td>Weight:kg</td><td></td></tr> <tr><td>NO.</td><td><b>NO.J16-1</b></td></tr> </table>	Part No.	13072378	CH part name	水泵密封垫	EN part name	Pump seal	RU part name	Уплотнение насоса	Size:mm		Weight:kg		NO.	<b>NO.J16-1</b>		<table border="1"> <tr><td>Part No.</td><td>1000114275</td></tr> <tr><td>CH part name</td><td>水泵中间垫块</td></tr> <tr><td>EN part name</td><td>Pump seal</td></tr> <tr><td>RU part name</td><td>Уплотнение насоса</td></tr> <tr><td>Size:mm</td><td></td></tr> <tr><td>Weight:kg</td><td></td></tr> <tr><td>NO.</td><td><b>NO.J16-2</b></td></tr> </table>	Part No.	1000114275	CH part name	水泵中间垫块	EN part name	Pump seal	RU part name	Уплотнение насоса	Size:mm		Weight:kg		NO.	<b>NO.J16-2</b>
Part No.	13072378																														
CH part name	水泵密封垫																														
EN part name	Pump seal																														
RU part name	Уплотнение насоса																														
Size:mm																															
Weight:kg																															
NO.	<b>NO.J16-1</b>																														
Part No.	1000114275																														
CH part name	水泵中间垫块																														
EN part name	Pump seal																														
RU part name	Уплотнение насоса																														
Size:mm																															
Weight:kg																															
NO.	<b>NO.J16-2</b>																														
Remarks:weichai WP6.210E32		Remarks:weichai WP6.210E32																													
	<table border="1"> <tr><td>Part No.</td><td>13072379</td></tr> <tr><td>CH part name</td><td>水泵密封垫</td></tr> <tr><td>EN part name</td><td>Pump seal</td></tr> <tr><td>RU part name</td><td>Уплотнение насоса</td></tr> <tr><td>Size:mm</td><td></td></tr> <tr><td>Weight:kg</td><td></td></tr> <tr><td>NO.</td><td><b>NO.J16-6</b></td></tr> </table>	Part No.	13072379	CH part name	水泵密封垫	EN part name	Pump seal	RU part name	Уплотнение насоса	Size:mm		Weight:kg		NO.	<b>NO.J16-6</b>		<table border="1"> <tr><td>Part No.</td><td>13072498</td></tr> <tr><td>CH part name</td><td>水泵</td></tr> <tr><td>EN part name</td><td>Water pump</td></tr> <tr><td>RU part name</td><td>Водяной насос</td></tr> <tr><td>Size:mm</td><td></td></tr> <tr><td>Weight:kg</td><td></td></tr> <tr><td>NO.</td><td><b>NO.J16-33</b></td></tr> </table>	Part No.	13072498	CH part name	水泵	EN part name	Water pump	RU part name	Водяной насос	Size:mm		Weight:kg		NO.	<b>NO.J16-33</b>
Part No.	13072379																														
CH part name	水泵密封垫																														
EN part name	Pump seal																														
RU part name	Уплотнение насоса																														
Size:mm																															
Weight:kg																															
NO.	<b>NO.J16-6</b>																														
Part No.	13072498																														
CH part name	水泵																														
EN part name	Water pump																														
RU part name	Водяной насос																														
Size:mm																															
Weight:kg																															
NO.	<b>NO.J16-33</b>																														
Remarks:weichai WP6.210E32		Remarks:weichai WP6.210E32																													
<p style="text-align: center;"><b>Cooling system</b>      <b>NO.J16</b></p>																															
			<table border="1"> <tr><td>Part No.</td><td>13023503</td></tr> <tr><td>CH part name</td><td>冷却液连接胶管</td></tr> <tr><td>EN part name</td><td>Coolant connection hose</td></tr> <tr><td>RU part name</td><td>Подсоедините шланг</td></tr> <tr><td>Size:mm</td><td></td></tr> <tr><td>Weight:kg</td><td></td></tr> <tr><td>NO.</td><td><b>NO.J16-9</b></td></tr> </table>	Part No.	13023503	CH part name	冷却液连接胶管	EN part name	Coolant connection hose	RU part name	Подсоедините шланг	Size:mm		Weight:kg		NO.	<b>NO.J16-9</b>														
Part No.	13023503																														
CH part name	冷却液连接胶管																														
EN part name	Coolant connection hose																														
RU part name	Подсоедините шланг																														
Size:mm																															
Weight:kg																															
NO.	<b>NO.J16-9</b>																														
Remarks:weichai WP6.210E32		Remarks:weichai WP6.210E32																													
			<table border="1"> <tr><td>Part No.</td><td>13021718</td></tr> <tr><td>CH part name</td><td>卡箍</td></tr> <tr><td>EN part name</td><td>Clamp</td></tr> <tr><td>RU part name</td><td>Хомуты</td></tr> <tr><td>Size:mm</td><td></td></tr> <tr><td>Weight:kg</td><td></td></tr> <tr><td>NO.</td><td><b>NO.J16-8</b></td></tr> </table>	Part No.	13021718	CH part name	卡箍	EN part name	Clamp	RU part name	Хомуты	Size:mm		Weight:kg		NO.	<b>NO.J16-8</b>														
Part No.	13021718																														
CH part name	卡箍																														
EN part name	Clamp																														
RU part name	Хомуты																														
Size:mm																															
Weight:kg																															
NO.	<b>NO.J16-8</b>																														
Remarks:weichai WP6.210E32		Remarks:weichai WP6.210E32																													





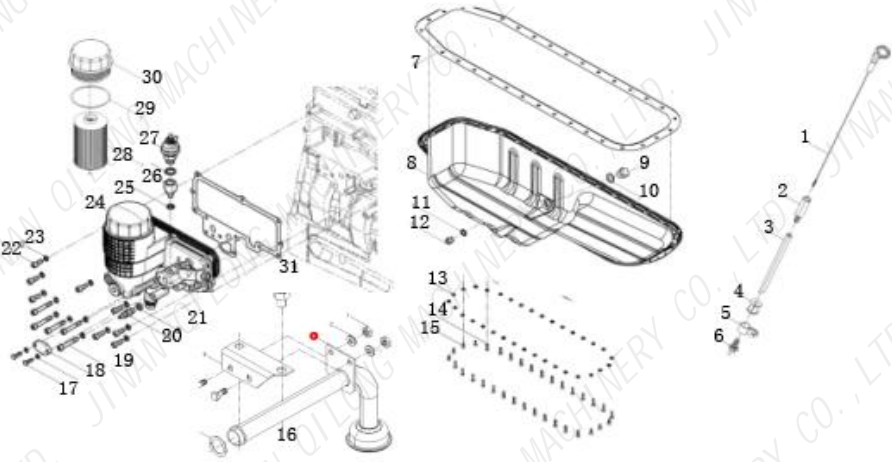


# SHACMAN(1)

	<p>Part No. 13071319</p> <p>CH part name 法兰</p> <p>EN part name Flange</p> <p>RU part name фланец</p> <p>Size:mm</p> <p>Weight:kg</p> <p>NO. <b>NO.J16-10</b></p>		<p>Part No. 13026981</p> <p>CH part name 风扇离合器</p> <p>EN part name Fan clutch</p> <p>RU part name Муфта вентилятора</p> <p>Size:mm</p> <p>Weight:kg</p> <p>NO. <b>NO.J16-14</b></p>
Remarks:weichai WP6.210E32		Remarks:weichai WP6.210E32	
	<p>Part No. 612600061454</p> <p>CH part name 风扇</p> <p>EN part name fan</p> <p>RU part name вентилятор</p> <p>Size:mm</p> <p>Weight:kg</p> <p>NO. <b>NO.J16-15</b></p>		<p>Part No. 13025986</p> <p>CH part name 发电机拉紧螺栓</p> <p>EN part name Generator tighten the bolt</p> <p>RU part name Генератор затяните болт</p> <p>Size:mm</p> <p>Weight:kg</p> <p>NO. <b>NO.J16-19</b></p>
Remarks:weichai WP6.210E32		Remarks:weichai WP6.210E32	
<p><b>Fuel system</b></p> <p><b>NO.K16</b></p>		Remarks:weichai WP6.210E32	
			<p>Part No. 13032649</p> <p>CH part name 空心螺栓</p> <p>EN part name Hollow bolt</p> <p>RU part name Пóлый болт</p> <p>Size:mm</p> <p>Weight:kg</p> <p>NO. <b>NO.K16-3</b></p>
Remarks:weichai WP6.210E32		Remarks:weichai WP6.210E32	
		<p>Part No. 612600080200</p> <p>CH part name 密封垫圈</p> <p>EN part name Gasket</p> <p>RU part name набивка</p> <p>Size:mm</p> <p>Weight:kg</p> <p>NO. <b>NO.K16-2</b></p>	<p>Part No. 612600080200</p> <p>CH part name 密封垫圈</p> <p>EN part name Gasket</p> <p>RU part name набивка</p> <p>Size:mm</p> <p>Weight:kg</p> <p>NO. <b>NO.K16-2</b></p>
Remarks:weichai WP6.210E32		Remarks:weichai WP6.210E32 WP12	





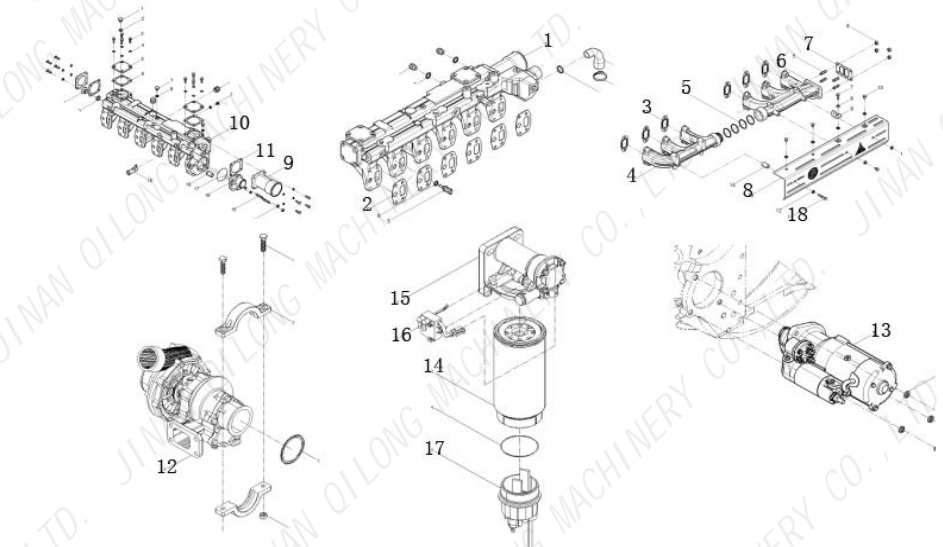


# SHACMAN(1)

	KD0437-41 <b>Part No.</b> 13028032 <b>CH part name</b> 燃油滤清器座 <b>EN part name</b> Fuel filter seat <b>RU part name</b> Сиденье топливного фильтра <b>Size:mm</b> <b>Weight:kg</b> <b>NO.</b> <b>NO.K16-5</b>		KD0438-57 <b>Part No.</b> 13020488 <b>CH part name</b> 燃油滤清器滤芯 <b>EN part name</b> Fuel filter cartridge <b>RU part name</b> Фильтр топливного фильтра <b>Size:mm</b> <b>Weight:kg</b> <b>NO.</b> <b>NO.K16-1</b>
Remarks:weichai WP6.210E32		Remarks:weichai WP6.210E32 1000700909	
	KD0437-42 <b>Part No.</b> 13059385 <b>CH part name</b> 喷油泵分总成 <b>EN part name</b> Fuel injection pump sub-assembly <b>RU part name</b> Подкомпонент топливного насоса <b>Size:mm</b> <b>Weight:kg</b> <b>NO.</b> <b>NO.K16-22</b>		KD0438-58 <b>Part No.</b> 13023506 <b>CH part name</b> 喷油泵齿轮 <b>EN part name</b> Fuel pump gear <b>RU part name</b> Механизм топливного насоса <b>Size:mm</b> <b>Weight:kg</b> <b>NO.</b> <b>NO.K16-23</b>
Remarks:weichai WP6.210E32		Remarks:weichai WP6.210E32	
	KD0437-43 <b>Part No.</b> 13057139 <b>CH part name</b> 喷油泵支架 <b>EN part name</b> Fuel pump bracket <b>RU part name</b> Кронштейн топливного насоса <b>Size:mm</b> <b>Weight:kg</b> <b>NO.</b> <b>NO.K16-10</b>		KD0438-59 <b>Part No.</b> 13023508 <b>CH part name</b> 压板 <b>EN part name</b> Platen <b>RU part name</b> тигель <b>Size:mm</b> <b>Weight:kg</b> <b>NO.</b> <b>NO.K16-24</b>
Remarks:weichai WP6.210E32		Remarks:weichai WP6.210E32	
	KD0437-44 <b>Part No.</b> 13037215 <b>CH part name</b> 喷油泵润滑油管 <b>EN part name</b> Fuel pump lubricant pipe <b>RU part name</b> Труба смазки топливного насоса <b>Size:mm</b> <b>Weight:kg</b> <b>NO.</b> <b>NO.K16-12</b>		KD0438-60 <b>Part No.</b> 13024013 <b>CH part name</b> 冒烟限制器空气管总成 <b>EN part name</b> Smoke limiter air tube assembly <b>RU part name</b> Труба с ограничителем дыма <b>Size:mm</b> <b>Weight:kg</b> <b>NO.</b> <b>NO.K16-17</b>
Remarks:weichai WP6.210E32		Remarks:weichai WP6.210E32	









# SHACMAN(1)

	<p>KD0437-45</p> <table border="1"> <tr><td>Part No.</td><td>13027052</td></tr> <tr><td>CH part name</td><td>喷油器组件</td></tr> <tr><td>EN part name</td><td>Fuel injector assembly</td></tr> <tr><td>RU part name</td><td>Узел топливной форсунки</td></tr> <tr><td>Size:mm</td><td></td></tr> <tr><td>Weight:kg</td><td></td></tr> <tr><td>NO.</td><td><b>NO.K16-29</b></td></tr> </table>	Part No.	13027052	CH part name	喷油器组件	EN part name	Fuel injector assembly	RU part name	Узел топливной форсунки	Size:mm		Weight:kg		NO.	<b>NO.K16-29</b>		<p>KD0438-61</p> <table border="1"> <tr><td>Part No.</td><td>13022357</td></tr> <tr><td>CH part name</td><td>喷油器压块</td></tr> <tr><td>EN part name</td><td>Injector briquetting</td></tr> <tr><td>RU part name</td><td>Инжекционное брикетирование</td></tr> <tr><td>Size:mm</td><td></td></tr> <tr><td>Weight:kg</td><td></td></tr> <tr><td>NO.</td><td><b>NO.K16-28</b></td></tr> </table>	Part No.	13022357	CH part name	喷油器压块	EN part name	Injector briquetting	RU part name	Инжекционное брикетирование	Size:mm		Weight:kg		NO.	<b>NO.K16-28</b>
Part No.	13027052																														
CH part name	喷油器组件																														
EN part name	Fuel injector assembly																														
RU part name	Узел топливной форсунки																														
Size:mm																															
Weight:kg																															
NO.	<b>NO.K16-29</b>																														
Part No.	13022357																														
CH part name	喷油器压块																														
EN part name	Injector briquetting																														
RU part name	Инжекционное брикетирование																														
Size:mm																															
Weight:kg																															
NO.	<b>NO.K16-28</b>																														
Remarks:weichai WP6.210E32 226B		Remarks:weichai WP6.210E32																													
	<p>KD0437-46</p> <table border="1"> <tr><td>Part No.</td><td>13024269</td></tr> <tr><td>CH part name</td><td>停油缸组件</td></tr> <tr><td>EN part name</td><td>Stop cylinder assembly</td></tr> <tr><td>RU part name</td><td>Стопорный цилиндр</td></tr> <tr><td>Size:mm</td><td></td></tr> <tr><td>Weight:kg</td><td></td></tr> <tr><td>NO.</td><td><b>NO.K16-7</b></td></tr> </table>	Part No.	13024269	CH part name	停油缸组件	EN part name	Stop cylinder assembly	RU part name	Стопорный цилиндр	Size:mm		Weight:kg		NO.	<b>NO.K16-7</b>		<p>KD0438-62</p> <table border="1"> <tr><td>Part No.</td><td>13054165</td></tr> <tr><td>CH part name</td><td>机油冷却器总成</td></tr> <tr><td>EN part name</td><td>Oil cooler assembly</td></tr> <tr><td>RU part name</td><td>Узел масляного радиатора</td></tr> <tr><td>Size:mm</td><td></td></tr> <tr><td>Weight:kg</td><td></td></tr> <tr><td>NO.</td><td><b>NO.M16-24</b></td></tr> </table>	Part No.	13054165	CH part name	机油冷却器总成	EN part name	Oil cooler assembly	RU part name	Узел масляного радиатора	Size:mm		Weight:kg		NO.	<b>NO.M16-24</b>
Part No.	13024269																														
CH part name	停油缸组件																														
EN part name	Stop cylinder assembly																														
RU part name	Стопорный цилиндр																														
Size:mm																															
Weight:kg																															
NO.	<b>NO.K16-7</b>																														
Part No.	13054165																														
CH part name	机油冷却器总成																														
EN part name	Oil cooler assembly																														
RU part name	Узел масляного радиатора																														
Size:mm																															
Weight:kg																															
NO.	<b>NO.M16-24</b>																														
Remarks:weichai WP6.210E32 226B		Remarks:weichai WP6.210E32																													
<p style="text-align: center;"><b>Lubrication system</b></p>		<p style="text-align: center;"><b>NO.M16</b></p>																													
			<p>KD0438-63</p> <table border="1"> <tr><td>Part No.</td><td>612600090351</td></tr> <tr><td>CH part name</td><td>压力传感器</td></tr> <tr><td>EN part name</td><td>Pressure Sensor</td></tr> <tr><td>RU part name</td><td>Датчик давления</td></tr> <tr><td>Size:mm</td><td></td></tr> <tr><td>Weight:kg</td><td></td></tr> <tr><td>NO.</td><td><b>NO.M16-27</b></td></tr> </table>	Part No.	612600090351	CH part name	压力传感器	EN part name	Pressure Sensor	RU part name	Датчик давления	Size:mm		Weight:kg		NO.	<b>NO.M16-27</b>														
Part No.	612600090351																														
CH part name	压力传感器																														
EN part name	Pressure Sensor																														
RU part name	Датчик давления																														
Size:mm																															
Weight:kg																															
NO.	<b>NO.M16-27</b>																														
Remarks:weichai WP6.210E32		Remarks:weichai WP6.210E32																													
		<p>KD0438-64</p> <table border="1"> <tr><td>Part No.</td><td>13055724</td></tr> <tr><td>CH part name</td><td>机油滤清器滤芯</td></tr> <tr><td>EN part name</td><td>Oil filter element</td></tr> <tr><td>RU part name</td><td>фильтр масляный фильтр</td></tr> <tr><td>Size:mm</td><td></td></tr> <tr><td>Weight:kg</td><td></td></tr> <tr><td>NO.</td><td><b>NO.M16-28</b></td></tr> </table>		Part No.	13055724	CH part name	机油滤清器滤芯	EN part name	Oil filter element	RU part name	фильтр масляный фильтр	Size:mm		Weight:kg		NO.	<b>NO.M16-28</b>														
Part No.	13055724																														
CH part name	机油滤清器滤芯																														
EN part name	Oil filter element																														
RU part name	фильтр масляный фильтр																														
Size:mm																															
Weight:kg																															
NO.	<b>NO.M16-28</b>																														
Remarks:weichai WP6.210E32		Remarks:weichai WP6.210E32																													





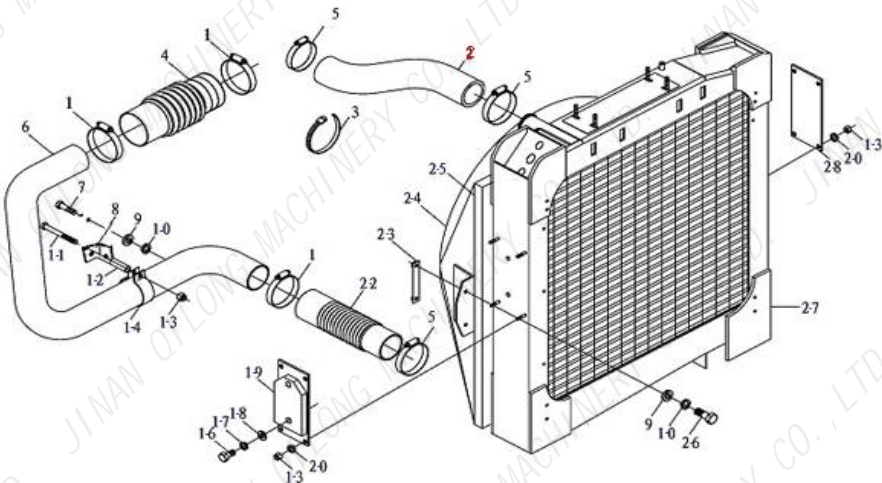


# SHACMAN(1)

	<table border="1"> <tr><td>Part No.</td><td>13038890</td></tr> <tr><td>CH part name</td><td>油底壳总成</td></tr> <tr><td>EN part name</td><td>Oil pan assembly</td></tr> <tr><td>RU part name</td><td>масляный поддон Ассамблеи</td></tr> <tr><td>Size:mm</td><td></td></tr> <tr><td>Weight:kg</td><td></td></tr> <tr><td>NO.</td><td><b>NO.M16-8</b></td></tr> </table>	Part No.	13038890	CH part name	油底壳总成	EN part name	Oil pan assembly	RU part name	масляный поддон Ассамблеи	Size:mm		Weight:kg		NO.	<b>NO.M16-8</b>		<table border="1"> <tr><td>Part No.</td><td>13061607</td></tr> <tr><td>CH part name</td><td>机油滤清器盖</td></tr> <tr><td>EN part name</td><td>Oil filter cover</td></tr> <tr><td>RU part name</td><td>масляный фильтр покрытия</td></tr> <tr><td>Size:mm</td><td></td></tr> <tr><td>Weight:kg</td><td></td></tr> <tr><td>NO.</td><td><b>NO.M16-30</b></td></tr> </table>	Part No.	13061607	CH part name	机油滤清器盖	EN part name	Oil filter cover	RU part name	масляный фильтр покрытия	Size:mm		Weight:kg		NO.	<b>NO.M16-30</b>
Part No.	13038890																														
CH part name	油底壳总成																														
EN part name	Oil pan assembly																														
RU part name	масляный поддон Ассамблеи																														
Size:mm																															
Weight:kg																															
NO.	<b>NO.M16-8</b>																														
Part No.	13061607																														
CH part name	机油滤清器盖																														
EN part name	Oil filter cover																														
RU part name	масляный фильтр покрытия																														
Size:mm																															
Weight:kg																															
NO.	<b>NO.M16-30</b>																														
Remarks:weichai WP6.210E32		Remarks:weichai WP6.210E32																													
	<table border="1"> <tr><td>Part No.</td><td>12159895</td></tr> <tr><td>CH part name</td><td>润滑油进油管组件</td></tr> <tr><td>EN part name</td><td>Oil inlet pipe</td></tr> <tr><td>RU part name</td><td>входной трубы</td></tr> <tr><td>Size:mm</td><td></td></tr> <tr><td>Weight:kg</td><td></td></tr> <tr><td>NO.</td><td><b>NO.M16-16</b></td></tr> </table>	Part No.	12159895	CH part name	润滑油进油管组件	EN part name	Oil inlet pipe	RU part name	входной трубы	Size:mm		Weight:kg		NO.	<b>NO.M16-16</b>		<table border="1"> <tr><td>Part No.</td><td>13022863</td></tr> <tr><td>CH part name</td><td>油底壳垫</td></tr> <tr><td>EN part name</td><td>Oil pan gasket</td></tr> <tr><td>RU part name</td><td>масляный поддон колодка</td></tr> <tr><td>Size:mm</td><td></td></tr> <tr><td>Weight:kg</td><td></td></tr> <tr><td>NO.</td><td><b>NO.M16-7</b></td></tr> </table>	Part No.	13022863	CH part name	油底壳垫	EN part name	Oil pan gasket	RU part name	масляный поддон колодка	Size:mm		Weight:kg		NO.	<b>NO.M16-7</b>
Part No.	12159895																														
CH part name	润滑油进油管组件																														
EN part name	Oil inlet pipe																														
RU part name	входной трубы																														
Size:mm																															
Weight:kg																															
NO.	<b>NO.M16-16</b>																														
Part No.	13022863																														
CH part name	油底壳垫																														
EN part name	Oil pan gasket																														
RU part name	масляный поддон колодка																														
Size:mm																															
Weight:kg																															
NO.	<b>NO.M16-7</b>																														
Remarks:weichai WP6.210E32		Remarks:weichai WP6.210E32																													
<p>Into the exhaust system/Electrical appliances</p>		<b>NO.N16</b>																													
			<table border="1"> <tr><td>Part No.</td><td>13057884</td></tr> <tr><td>CH part name</td><td>进气管组件</td></tr> <tr><td>EN part name</td><td>Intake pipe assembly</td></tr> <tr><td>RU part name</td><td>Всасывающий трубопровод</td></tr> <tr><td>Size:mm</td><td></td></tr> <tr><td>Weight:kg</td><td></td></tr> <tr><td>NO.</td><td><b>NO.N16-10</b></td></tr> </table>	Part No.	13057884	CH part name	进气管组件	EN part name	Intake pipe assembly	RU part name	Всасывающий трубопровод	Size:mm		Weight:kg		NO.	<b>NO.N16-10</b>														
Part No.	13057884																														
CH part name	进气管组件																														
EN part name	Intake pipe assembly																														
RU part name	Всасывающий трубопровод																														
Size:mm																															
Weight:kg																															
NO.	<b>NO.N16-10</b>																														
Remarks:weichai WP6.210E32		Remarks:weichai WP6.210E32																													
		<table border="1"> <tr><td>Part No.</td><td>12190460</td></tr> <tr><td>CH part name</td><td>进气管垫</td></tr> <tr><td>EN part name</td><td>Intake pipe pad</td></tr> <tr><td>RU part name</td><td>Входная трубка</td></tr> <tr><td>Size:mm</td><td></td></tr> <tr><td>Weight:kg</td><td>0.1</td></tr> <tr><td>NO.</td><td><b>NO.N16-2</b></td></tr> </table>	Part No.	12190460	CH part name	进气管垫	EN part name	Intake pipe pad	RU part name	Входная трубка	Size:mm		Weight:kg	0.1	NO.	<b>NO.N16-2</b>															
Part No.	12190460																														
CH part name	进气管垫																														
EN part name	Intake pipe pad																														
RU part name	Входная трубка																														
Size:mm																															
Weight:kg	0.1																														
NO.	<b>NO.N16-2</b>																														
Remarks:weichai WP6.210E32		Remarks:weichai WP6.210E32																													

# SHACMAN(1)

KD0437-49			KD0438-69		
	Part No.	614090067		Part No.	12272783
	CH part name	温度传感器		CH part name	排气管垫
	EN part name	Temperature Sensor		EN part name	Exhaust pipe pad
	RU part name	Датчик температуры		RU part name	Вытяжная трубка
	Size:mm			Size:mm	
	Weight:kg	0.12		Weight:kg	0.1
	NO.	<b>NO.N16-18</b>		NO.	<b>NO.N16-3</b>
Remarks:weichai WP6.210E32			Remarks:weichai WP6.210E32		
KD0437-50			KD0438-70		
	Part No.	13024004		Part No.	13025181
	CH part name	前排气管		CH part name	增压器垫片
	EN part name	exhaust pipe		EN part name	Turbocharger gasket
	RU part name	Выхлопная труба		RU part name	Прокладка турбоагнетателя
	Size:mm			Size:mm	
	Weight:kg	3.6		Weight:kg	0.15
	NO.	<b>NO.N16-4</b>		NO.	<b>NO.N16-7</b>
Remarks:weichai WP6.210E32			Remarks:weichai WP6.210E32		
KD0437-51			KD0438-71		
	Part No.	612600082775		Part No.	13024003
	CH part name	燃油水寒宝		CH part name	后排气管
	EN part name	Fuel water cold treasure		EN part name	Rear exhaust pipe
	RU part name	Топливная вода холодного сокровища		RU part name	Выхлопная труба
	Size:mm			Size:mm	
	Weight:kg	1.6		Weight:kg	3.5
	NO.	<b>NO.N16-14-15-16-17</b>		NO.	<b>NO.N16-6</b>
Remarks:weichai WP6.210E32			Remarks:weichai WP6.210E32		
KD0437-52			KD0438-72		
	Part No.	612600082611		Part No.	12188619
	CH part name	电动输油泵		CH part name	薄片环
	EN part name	Electric oil pump		EN part name	Thin ring
	RU part name	Электрический масляный насос		RU part name	Тонкое кольцо
	Size:mm			Size:mm	
	Weight:kg	0.82		Weight:kg	
	NO.	<b>NO.N16-15</b>		NO.	<b>NO.N16-5</b>
Remarks:weichai WP6.210E32			Remarks:weichai WP6.210E32		

# SHACMAN(1)








	<p>KD0437-53</p> <p><b>Part No.</b> 612600082608</p> <p><b>CH part name</b> 电动输油泵控制器</p> <p><b>EN part name</b> Electric oil pump controller</p> <p><b>RU part name</b> Контроллер электрического масляного насоса</p> <p><b>Size:mm</b></p> <p><b>Weight:kg</b></p> <p><b>NO.</b> <b>NO.N16-16</b></p>		<p>KD0438-73</p> <p><b>Part No.</b> 13050902</p> <p><b>CH part name</b> 废气涡轮增压器</p> <p><b>EN part name</b> Turbocharger</p> <p><b>RU part name</b> Турбокомпрессор</p> <p><b>Size:mm</b></p> <p><b>Weight:kg</b></p> <p><b>NO.</b> <b>NO.N16-12</b></p>
Remarks:weichai WP6.210E32		Remarks:weichai WP6.210E32	
	<p>KD0437-54</p> <p><b>Part No.</b> 612600081294</p> <p><b>CH part name</b> 燃油滤清器滤芯</p> <p><b>EN part name</b> Fuel filter cartridge</p> <p><b>RU part name</b> Фильтр топливного фильтра</p> <p><b>Size:mm</b></p> <p><b>Weight:kg</b></p> <p><b>NO.</b> <b>NO.N16-14-17</b></p>		<p>KD0438-74</p> <p><b>Part No.</b> 13033591</p> <p><b>CH part name</b> 起动机</p> <p><b>EN part name</b> starter</p> <p><b>RU part name</b> пускатель</p> <p><b>Size:mm</b></p> <p><b>Weight:kg</b></p> <p><b>NO.</b> <b>NO.N16-13</b></p>
Remarks:weichai WP6.210E32		Remarks:weichai WP6.210E32	
<p><b>Engine accessories/water cooling system. NO.44</b></p>		Remarks:weichai WP6.210E32	
			<p>KD0438-75</p> <p><b>Part No.</b> 612600082029</p> <p><b>CH part name</b> 带加热器水杯</p> <p><b>EN part name</b> Heater glass</p> <p><b>RU part name</b> Стекло нагревателя</p> <p><b>Size:mm</b></p> <p><b>Weight:kg</b></p> <p><b>NO.</b> <b>NO.N16-17</b></p>
Remarks: weichai WP6.210E32		Remarks: weichai WP6.210E32	
		<p>KD0681</p> <p><b>Part No.</b> DZ9112539268</p> <p><b>CH part name</b> 散热器总成</p> <p><b>EN part name</b> Aluminum radiator assy.</p> <p><b>RU part name</b> Радиатор алюминиевый в сборе</p> <p><b>Size:mm</b> 885*775*100</p> <p><b>Weight:kg</b> 16.8</p> <p><b>NO.</b> <b>NO.44-27</b></p>	
Remarks: SHACMAN F2000 WP10、375		Remarks: SHACMAN F2000 WP10、375	

# SHACMAN(1)

	<table border="1"> <tr><td>Part No.</td><td>DZ9112532888</td></tr> <tr><td>CH part name</td><td>散热器总成</td></tr> <tr><td>EN part name</td><td>Aluminum radiator assy.</td></tr> <tr><td>RU part name</td><td>Радиатор алюминивый в сборе</td></tr> <tr><td>Size:mm</td><td>885*775*100</td></tr> <tr><td>Weight:kg</td><td>16</td></tr> <tr><td>NO.</td><td><b>NO.44-27</b></td></tr> </table>	Part No.	DZ9112532888	CH part name	散热器总成	EN part name	Aluminum radiator assy.	RU part name	Радиатор алюминивый в сборе	Size:mm	885*775*100	Weight:kg	16	NO.	<b>NO.44-27</b>		<table border="1"> <tr><td>Part No.</td><td>DZ95259532211</td></tr> <tr><td>CH part name</td><td>散热器总成</td></tr> <tr><td>EN part name</td><td>Aluminum radiator assy.</td></tr> <tr><td>RU part name</td><td>Радиатор алюминивый в сборе</td></tr> <tr><td>Size:mm</td><td>885*775*100</td></tr> <tr><td>Weight:kg</td><td>16.8</td></tr> <tr><td>NO.</td><td><b>NO.44-27</b></td></tr> </table>	Part No.	DZ95259532211	CH part name	散热器总成	EN part name	Aluminum radiator assy.	RU part name	Радиатор алюминивый в сборе	Size:mm	885*775*100	Weight:kg	16.8	NO.	<b>NO.44-27</b>
Part No.	DZ9112532888																														
CH part name	散热器总成																														
EN part name	Aluminum radiator assy.																														
RU part name	Радиатор алюминивый в сборе																														
Size:mm	885*775*100																														
Weight:kg	16																														
NO.	<b>NO.44-27</b>																														
Part No.	DZ95259532211																														
CH part name	散热器总成																														
EN part name	Aluminum radiator assy.																														
RU part name	Радиатор алюминивый в сборе																														
Size:mm	885*775*100																														
Weight:kg	16.8																														
NO.	<b>NO.44-27</b>																														
Remarks: SHACMAN F2000 WP10、290、270		Remarks: SHACMAN CUMMINS M11 WP12																													
	<table border="1"> <tr><td>Part No.</td><td>DZ9112530268</td></tr> <tr><td>CH part name</td><td>散热器总成</td></tr> <tr><td>EN part name</td><td>Aluminum radiator assy.</td></tr> <tr><td>RU part name</td><td>Радиатор алюминивый в сборе</td></tr> <tr><td>Size:mm</td><td>885*775*100</td></tr> <tr><td>Weight:kg</td><td>14</td></tr> <tr><td>NO.</td><td><b>NO.44-27</b></td></tr> </table>	Part No.	DZ9112530268	CH part name	散热器总成	EN part name	Aluminum radiator assy.	RU part name	Радиатор алюминивый в сборе	Size:mm	885*775*100	Weight:kg	14	NO.	<b>NO.44-27</b>		<table border="1"> <tr><td>Part No.</td><td>DZ95259532213</td></tr> <tr><td>CH part name</td><td>散热器总成</td></tr> <tr><td>EN part name</td><td>Aluminum radiator assy.</td></tr> <tr><td>RU part name</td><td>Радиатор алюминивый в сборе</td></tr> <tr><td>Size:mm</td><td>990*775*100</td></tr> <tr><td>Weight:kg</td><td>16.8</td></tr> <tr><td>NO.</td><td><b>NO.44-27</b></td></tr> </table>	Part No.	DZ95259532213	CH part name	散热器总成	EN part name	Aluminum radiator assy.	RU part name	Радиатор алюминивый в сборе	Size:mm	990*775*100	Weight:kg	16.8	NO.	<b>NO.44-27</b>
Part No.	DZ9112530268																														
CH part name	散热器总成																														
EN part name	Aluminum radiator assy.																														
RU part name	Радиатор алюминивый в сборе																														
Size:mm	885*775*100																														
Weight:kg	14																														
NO.	<b>NO.44-27</b>																														
Part No.	DZ95259532213																														
CH part name	散热器总成																														
EN part name	Aluminum radiator assy.																														
RU part name	Радиатор алюминивый в сборе																														
Size:mm	990*775*100																														
Weight:kg	16.8																														
NO.	<b>NO.44-27</b>																														
Remarks: SHACMAN F2000 F3000		Remarks: SHACMAN F3000 WP10 WP12																													
	<table border="1"> <tr><td>Part No.</td><td>DZ9114530004</td></tr> <tr><td>CH part name</td><td>水箱上水管</td></tr> <tr><td>EN part name</td><td>Water pipe</td></tr> <tr><td>RU part name</td><td>Шланг резиновый</td></tr> <tr><td>Size:mm</td><td>430*280*150</td></tr> <tr><td>Weight:kg</td><td>1.3</td></tr> <tr><td>NO.</td><td><b>NO.44-2</b></td></tr> </table>	Part No.	DZ9114530004	CH part name	水箱上水管	EN part name	Water pipe	RU part name	Шланг резиновый	Size:mm	430*280*150	Weight:kg	1.3	NO.	<b>NO.44-2</b>		<table border="1"> <tr><td>Part No.</td><td>DZ95259532212</td></tr> <tr><td>CH part name</td><td>散热器总成</td></tr> <tr><td>EN part name</td><td>Aluminum radiator assy.</td></tr> <tr><td>RU part name</td><td>Радиатор алюминивый в сборе</td></tr> <tr><td>Size:mm</td><td>885*775*100</td></tr> <tr><td>Weight:kg</td><td>16.8</td></tr> <tr><td>NO.</td><td><b>NO.44-27</b></td></tr> </table>	Part No.	DZ95259532212	CH part name	散热器总成	EN part name	Aluminum radiator assy.	RU part name	Радиатор алюминивый в сборе	Size:mm	885*775*100	Weight:kg	16.8	NO.	<b>NO.44-27</b>
Part No.	DZ9114530004																														
CH part name	水箱上水管																														
EN part name	Water pipe																														
RU part name	Шланг резиновый																														
Size:mm	430*280*150																														
Weight:kg	1.3																														
NO.	<b>NO.44-2</b>																														
Part No.	DZ95259532212																														
CH part name	散热器总成																														
EN part name	Aluminum radiator assy.																														
RU part name	Радиатор алюминивый в сборе																														
Size:mm	885*775*100																														
Weight:kg	16.8																														
NO.	<b>NO.44-27</b>																														
Remarks: SHACMAN F2000 F3000		Remarks: SHACMAN F3000 CUMMINS M11																													
	<table border="1"> <tr><td>Part No.</td><td>DZ9112538062</td></tr> <tr><td>CH part name</td><td>水箱上水管</td></tr> <tr><td>EN part name</td><td>Water pipe</td></tr> <tr><td>RU part name</td><td>Шланг резиновый</td></tr> <tr><td>Size:mm</td><td>510*280*150</td></tr> <tr><td>Weight:kg</td><td>0.9</td></tr> <tr><td>NO.</td><td><b>NO.44-29</b></td></tr> </table>	Part No.	DZ9112538062	CH part name	水箱上水管	EN part name	Water pipe	RU part name	Шланг резиновый	Size:mm	510*280*150	Weight:kg	0.9	NO.	<b>NO.44-29</b>		<table border="1"> <tr><td>Part No.</td><td>DZ95259535407</td></tr> <tr><td>CH part name</td><td>散热器进水胶管</td></tr> <tr><td>EN part name</td><td>Water pipe</td></tr> <tr><td>RU part name</td><td>Шланг резиновый</td></tr> <tr><td>Size:mm</td><td></td></tr> <tr><td>Weight:kg</td><td>0.85</td></tr> <tr><td>NO.</td><td><b>NO.44-2</b></td></tr> </table>	Part No.	DZ95259535407	CH part name	散热器进水胶管	EN part name	Water pipe	RU part name	Шланг резиновый	Size:mm		Weight:kg	0.85	NO.	<b>NO.44-2</b>
Part No.	DZ9112538062																														
CH part name	水箱上水管																														
EN part name	Water pipe																														
RU part name	Шланг резиновый																														
Size:mm	510*280*150																														
Weight:kg	0.9																														
NO.	<b>NO.44-29</b>																														
Part No.	DZ95259535407																														
CH part name	散热器进水胶管																														
EN part name	Water pipe																														
RU part name	Шланг резиновый																														
Size:mm																															
Weight:kg	0.85																														
NO.	<b>NO.44-2</b>																														
Remarks: SHACMAN F3000 WP10		Remarks: SHACMAN F3000																													



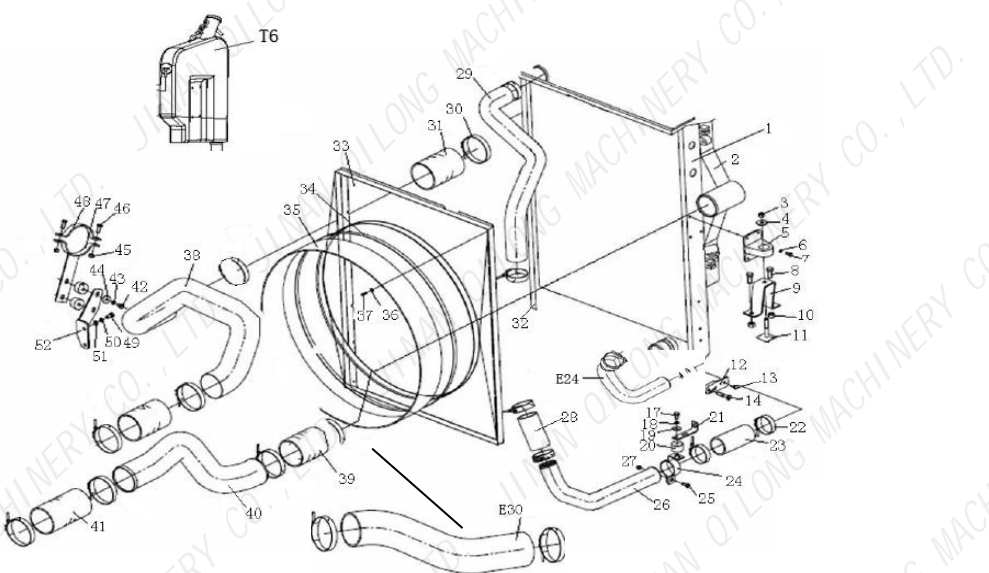






# SHACMAN(1)

	<p>KD0690</p> <table border="1"> <tr><td>Part No.</td><td>DZ93259535804</td></tr> <tr><td>CH part name</td><td>水箱出水管</td></tr> <tr><td>EN part name</td><td>Water pipe</td></tr> <tr><td>RU part name</td><td>Шланг резиновый</td></tr> <tr><td>Size:mm</td><td></td></tr> <tr><td>Weight:kg</td><td>0.22</td></tr> <tr><td>NO.</td><td><b>NO.44-22</b></td></tr> </table>	Part No.	DZ93259535804	CH part name	水箱出水管	EN part name	Water pipe	RU part name	Шланг резиновый	Size:mm		Weight:kg	0.22	NO.	<b>NO.44-22</b>		<p>KD0691</p> <table border="1"> <tr><td>Part No.</td><td>612600060769</td></tr> <tr><td>CH part name</td><td>水箱上水管</td></tr> <tr><td>EN part name</td><td>Water pipe</td></tr> <tr><td>RU part name</td><td>Шланг резиновый</td></tr> <tr><td>Size:mm</td><td>300*80*80</td></tr> <tr><td>Weight:kg</td><td>0.25</td></tr> <tr><td>NO.</td><td><b>NO.44-2</b></td></tr> </table>	Part No.	612600060769	CH part name	水箱上水管	EN part name	Water pipe	RU part name	Шланг резиновый	Size:mm	300*80*80	Weight:kg	0.25	NO.	<b>NO.44-2</b>
Part No.	DZ93259535804																														
CH part name	水箱出水管																														
EN part name	Water pipe																														
RU part name	Шланг резиновый																														
Size:mm																															
Weight:kg	0.22																														
NO.	<b>NO.44-22</b>																														
Part No.	612600060769																														
CH part name	水箱上水管																														
EN part name	Water pipe																														
RU part name	Шланг резиновый																														
Size:mm	300*80*80																														
Weight:kg	0.25																														
NO.	<b>NO.44-2</b>																														
Remarks: SHACMAN F3000 WP10		Remarks: SHACMAN F2000																													
	<p>KD0692</p> <table border="1"> <tr><td>Part No.</td><td>DZ93259535003</td></tr> <tr><td>CH part name</td><td>内氟外硅胶管</td></tr> <tr><td>EN part name</td><td>Water pipe</td></tr> <tr><td>RU part name</td><td>Шланг резиновый</td></tr> <tr><td>Size:mm</td><td>200*55/65</td></tr> <tr><td>Weight:kg</td><td>0.95</td></tr> <tr><td>NO.</td><td><b>NO.44-22</b></td></tr> </table>	Part No.	DZ93259535003	CH part name	内氟外硅胶管	EN part name	Water pipe	RU part name	Шланг резиновый	Size:mm	200*55/65	Weight:kg	0.95	NO.	<b>NO.44-22</b>		<p>KD0693</p> <table border="1"> <tr><td>Part No.</td><td>DZ95259535508</td></tr> <tr><td>CH part name</td><td>水箱出水管</td></tr> <tr><td>EN part name</td><td>Water pipe</td></tr> <tr><td>RU part name</td><td>Шланг резиновый</td></tr> <tr><td>Size:mm</td><td>250*70*5</td></tr> <tr><td>Weight:kg</td><td>0.35</td></tr> <tr><td>NO.</td><td><b>NO.44-22</b></td></tr> </table>	Part No.	DZ95259535508	CH part name	水箱出水管	EN part name	Water pipe	RU part name	Шланг резиновый	Size:mm	250*70*5	Weight:kg	0.35	NO.	<b>NO.44-22</b>
Part No.	DZ93259535003																														
CH part name	内氟外硅胶管																														
EN part name	Water pipe																														
RU part name	Шланг резиновый																														
Size:mm	200*55/65																														
Weight:kg	0.95																														
NO.	<b>NO.44-22</b>																														
Part No.	DZ95259535508																														
CH part name	水箱出水管																														
EN part name	Water pipe																														
RU part name	Шланг резиновый																														
Size:mm	250*70*5																														
Weight:kg	0.35																														
NO.	<b>NO.44-22</b>																														
Remarks: SHACMAN F2000 F3000		Remarks: SHACMAN F3000																													
	<p>KD0694</p> <table border="1"> <tr><td>Part No.</td><td>199100530161</td></tr> <tr><td>CH part name</td><td>散热器支座</td></tr> <tr><td>EN part name</td><td>Radiator washer</td></tr> <tr><td>RU part name</td><td>Прокладка кронштейна радиатора</td></tr> <tr><td>Size:mm</td><td>220*95*25</td></tr> <tr><td>Weight:kg</td><td>1.45</td></tr> <tr><td>NO.</td><td><b>NO.44-19</b></td></tr> </table>	Part No.	199100530161	CH part name	散热器支座	EN part name	Radiator washer	RU part name	Прокладка кронштейна радиатора	Size:mm	220*95*25	Weight:kg	1.45	NO.	<b>NO.44-19</b>		<p>KD0695</p> <table border="1"> <tr><td>Part No.</td><td>DZ9114530009</td></tr> <tr><td>CH part name</td><td>水箱出水管</td></tr> <tr><td>EN part name</td><td>Water pipe</td></tr> <tr><td>RU part name</td><td>Шланг резиновый</td></tr> <tr><td>Size:mm</td><td></td></tr> <tr><td>Weight:kg</td><td>1.1</td></tr> <tr><td>NO.</td><td><b>NO.44-4</b></td></tr> </table>	Part No.	DZ9114530009	CH part name	水箱出水管	EN part name	Water pipe	RU part name	Шланг резиновый	Size:mm		Weight:kg	1.1	NO.	<b>NO.44-4</b>
Part No.	199100530161																														
CH part name	散热器支座																														
EN part name	Radiator washer																														
RU part name	Прокладка кронштейна радиатора																														
Size:mm	220*95*25																														
Weight:kg	1.45																														
NO.	<b>NO.44-19</b>																														
Part No.	DZ9114530009																														
CH part name	水箱出水管																														
EN part name	Water pipe																														
RU part name	Шланг резиновый																														
Size:mm																															
Weight:kg	1.1																														
NO.	<b>NO.44-4</b>																														
Remarks: SHACMAN F2000 161500530022		Remarks: SHACMAN F2000																													
	<p>KD0696</p> <table border="1"> <tr><td>Part No.</td><td>DZ95259538860/70</td></tr> <tr><td>CH part name</td><td>散热器右左</td></tr> <tr><td>EN part name</td><td>Radiator washer</td></tr> <tr><td>RU part name</td><td>Прокладка кронштейна радиатора</td></tr> <tr><td>Size:mm</td><td></td></tr> <tr><td>Weight:kg</td><td>1.23</td></tr> <tr><td>NO.</td><td><b>NO.45-9</b></td></tr> </table>	Part No.	DZ95259538860/70	CH part name	散热器右左	EN part name	Radiator washer	RU part name	Прокладка кронштейна радиатора	Size:mm		Weight:kg	1.23	NO.	<b>NO.45-9</b>		<p>KD0697</p> <table border="1"> <tr><td>Part No.</td><td>81.06225.6008</td></tr> <tr><td>CH part name</td><td>散热器托架</td></tr> <tr><td>EN part name</td><td>Radiator washer</td></tr> <tr><td>RU part name</td><td>Прокладка кронштейна радиатора</td></tr> <tr><td>Size:mm</td><td>130*130*100</td></tr> <tr><td>Weight:kg</td><td>0.4</td></tr> <tr><td>NO.</td><td><b>NO.45-5</b></td></tr> </table>	Part No.	81.06225.6008	CH part name	散热器托架	EN part name	Radiator washer	RU part name	Прокладка кронштейна радиатора	Size:mm	130*130*100	Weight:kg	0.4	NO.	<b>NO.45-5</b>
Part No.	DZ95259538860/70																														
CH part name	散热器右左																														
EN part name	Radiator washer																														
RU part name	Прокладка кронштейна радиатора																														
Size:mm																															
Weight:kg	1.23																														
NO.	<b>NO.45-9</b>																														
Part No.	81.06225.6008																														
CH part name	散热器托架																														
EN part name	Radiator washer																														
RU part name	Прокладка кронштейна радиатора																														
Size:mm	130*130*100																														
Weight:kg	0.4																														
NO.	<b>NO.45-5</b>																														
Remarks: SHACMAN F3000 DZ95259538895 DZ95259538894		Remarks: SHACMAN F2000 F3000 DZ95259538880/90 ( 6*6 ) DZ95259538894/93																													

# SHACMAN(1)

KD0698			KD0699		
	Part No.	DZ95259534042		Part No.	DZ9112530269
	CH part name	散热器进水管		CH part name	中冷器
	EN part name	Water pipe		EN part name	Intercooler
	RU part name	Шланг резиновый		RU part name	Интеркулер
	Size:mm			Size:mm	1100*900*210
	Weight:kg	0.9		Weight:kg	10.3
	NO.	<b>NO.45-26</b>		NO.	<b>NO.45-2</b>
Remarks: SHACMAN F3000			Remarks: SHACMAN F2000		
KD0700			KD0701		
	Part No.	DZ95259531501		Part No.	DZ91259531101
	CH part name	中冷器		CH part name	中冷器
	EN part name	Intercooler		EN part name	Intercooler
	RU part name	Интеркулер		RU part name	Интеркулер
	Size:mm	725*650*38		Size:mm	1100*900*210
	Weight:kg	10.65		Weight:kg	10.3
	NO.	<b>NO.45-2</b>		NO.	<b>NO.45-2</b>
Remarks: SHACMAN F3000 WP10 336-400P			Remarks: SHACMAN F3000		
KD0702			KD0703		
	Part No.	DZ95259531502		Part No.	DZ9114530001
	CH part name	中冷器		CH part name	中冷器
	EN part name	Intercooler		EN part name	Intercooler
	RU part name	Интеркулер		RU part name	Интеркулер
	Size:mm	1100*900*210		Size:mm	720*605*38
	Weight:kg	10.65		Weight:kg	10.3
	NO.	<b>NO.45-2</b>		NO.	<b>NO.45-2</b>
Remarks: SHACMAN F3000 WP12 400Ps DZ96259531030 (ISM)			Remarks: SHACMAN F2000		
KD0704			KD0705		
	Part No.	Q67683		Part No.	DZ9003533115
	CH part name	T 型卡箍		CH part name	T 型卡箍
	EN part name	T clamp		EN part name	T clamp
	RU part name	T-образный хомутик		RU part name	T-образный хомутик
	Size:mm			Size:mm	
	Weight:kg	0.2		Weight:kg	0.3
	NO.	<b>NO.45-22</b>		NO.	<b>NO.45-30</b>
Remarks: SHACMAN F2000 F3000			Remarks: SHACMAN F2000 F3000		

# SHACMAN(1)

Engine accessories/central cooling system. <b>NO.45</b>				
	KD0706			
		Part No.	DZ93259535321	
		CH part name	内氟外硅胶管	
		EN part name	Intercooler hose	
		RU part name	Патрубок интеркуллера	
		Size:mm	101*69	
		Weight:kg	0.3	
	NO.	<b>NO.45-31</b>		
	Remarks: SHACMAN F2000 F3000 DZ93319190020			
	KD0707			
	Part No.	DZ9112530002		
	CH part name	中冷器胶管		
	EN part name	Intercooler hose		
	RU part name	Патрубок интеркуллера		
	Size:mm	121*108		
	Weight:kg	0.23		
NO.	<b>NO.45-39</b>			
Remarks: SHACMAN F2000 F3000 DZ93259535302				
KD0708				
	Part No.	DZ9112530003		
	CH part name	中冷器胶管		
	EN part name	Intercooler hose		
	RU part name	Патрубок интеркуллера		
	Size:mm	190*110*5		
	Weight:kg	0.3		
	NO.	<b>NO.45-41</b>		
Remarks: SHACMAN F2000 F3000 DZ93259535308				
KD0709				
	Part No.	DZ91259535601		
	CH part name	中冷器胶管		
	EN part name	Intercooler hose		
	RU part name	Патрубок интеркуллера		
	Size:mm	121*110		
	Weight:kg	0.23		
	NO.	<b>NO.45-31</b>		
Remarks: SHACMAN F2000 F3000 DZ91259535803				
KD0710				
	Part No.	DZ93259535402		
	CH part name	中冷器硅胶管		
	EN part name	Intercooler hose		
	RU part name	Патрубок интеркуллера		
	Size:mm			
	Weight:kg	1.04		
	NO.	<b>NO.45-40</b>		
Remarks: SHACMAN F3000				
KD0711				
	Part No.	DZ91259535801		
	CH part name	中冷器胶管		
	EN part name	Intercooler hose		
	RU part name	Патрубок интеркуллера		
	Size:mm	520*110*110		
	Weight:kg	1.3		
	NO.	<b>NO.45-40</b>		
Remarks: SHACMAN F3000 DZ91259535810				

# SHACMAN(1)

	<p>KD0712</p> <table border="1"> <tr><td>Part No.</td><td>DZ93259535002</td></tr> <tr><td>CH part name</td><td>中冷器胶管WP12</td></tr> <tr><td>EN part name</td><td>Intercooler hose</td></tr> <tr><td>RU part name</td><td>Патрубок интеркуллера</td></tr> <tr><td>Size:mm</td><td>135*120*110</td></tr> <tr><td>Weight:kg</td><td>0.85</td></tr> <tr><td>NO.</td><td><b>NO.45-41</b></td></tr> </table>	Part No.	DZ93259535002	CH part name	中冷器胶管WP12	EN part name	Intercooler hose	RU part name	Патрубок интеркуллера	Size:mm	135*120*110	Weight:kg	0.85	NO.	<b>NO.45-41</b>		<p>KD0713</p> <table border="1"> <tr><td>Part No.</td><td>DZ95259534001</td></tr> <tr><td>CH part name</td><td>中冷器进气管</td></tr> <tr><td>EN part name</td><td>Outlet pipe</td></tr> <tr><td>RU part name</td><td>выпускной трубы</td></tr> <tr><td>Size:mm</td><td></td></tr> <tr><td>Weight:kg</td><td>2.56</td></tr> <tr><td>NO.</td><td><b>NO.45-38</b></td></tr> </table>	Part No.	DZ95259534001	CH part name	中冷器进气管	EN part name	Outlet pipe	RU part name	выпускной трубы	Size:mm		Weight:kg	2.56	NO.	<b>NO.45-38</b>
Part No.	DZ93259535002																														
CH part name	中冷器胶管WP12																														
EN part name	Intercooler hose																														
RU part name	Патрубок интеркуллера																														
Size:mm	135*120*110																														
Weight:kg	0.85																														
NO.	<b>NO.45-41</b>																														
Part No.	DZ95259534001																														
CH part name	中冷器进气管																														
EN part name	Outlet pipe																														
RU part name	выпускной трубы																														
Size:mm																															
Weight:kg	2.56																														
NO.	<b>NO.45-38</b>																														
Remarks: SHACMAN F3000		Remarks:SHACMAN F3000																													
	<p>KD0714</p> <table border="1"> <tr><td>Part No.</td><td>DZ95259535402</td></tr> <tr><td>CH part name</td><td>水箱上水管</td></tr> <tr><td>EN part name</td><td>Water pipe</td></tr> <tr><td>RU part name</td><td>Шланг резиновый</td></tr> <tr><td>Size:mm</td><td>510*280*150</td></tr> <tr><td>Weight:kg</td><td>0.9</td></tr> <tr><td>NO.</td><td><b>NO.45-29</b></td></tr> </table>	Part No.	DZ95259535402	CH part name	水箱上水管	EN part name	Water pipe	RU part name	Шланг резиновый	Size:mm	510*280*150	Weight:kg	0.9	NO.	<b>NO.45-29</b>		<p>KD0715</p> <table border="1"> <tr><td>Part No.</td><td>DZ95259534015</td></tr> <tr><td>CH part name</td><td>中冷器进气管</td></tr> <tr><td>EN part name</td><td>Outlet pipe</td></tr> <tr><td>RU part name</td><td>выпускной трубы</td></tr> <tr><td>Size:mm</td><td></td></tr> <tr><td>Weight:kg</td><td>2.34</td></tr> <tr><td>NO.</td><td><b>NO.45-38</b></td></tr> </table>	Part No.	DZ95259534015	CH part name	中冷器进气管	EN part name	Outlet pipe	RU part name	выпускной трубы	Size:mm		Weight:kg	2.34	NO.	<b>NO.45-38</b>
Part No.	DZ95259535402																														
CH part name	水箱上水管																														
EN part name	Water pipe																														
RU part name	Шланг резиновый																														
Size:mm	510*280*150																														
Weight:kg	0.9																														
NO.	<b>NO.45-29</b>																														
Part No.	DZ95259534015																														
CH part name	中冷器进气管																														
EN part name	Outlet pipe																														
RU part name	выпускной трубы																														
Size:mm																															
Weight:kg	2.34																														
NO.	<b>NO.45-38</b>																														
Remarks: SHACMAN F3000 WP12		Remarks:F3000/CUMMINS																													
	<p>KD0716</p> <table border="1"> <tr><td>Part No.</td><td>DZ95319535812</td></tr> <tr><td>CH part name</td><td>水箱出水管</td></tr> <tr><td>EN part name</td><td>Water pipe</td></tr> <tr><td>RU part name</td><td>Шланг резиновый</td></tr> <tr><td>Size:mm</td><td></td></tr> <tr><td>Weight:kg</td><td>0.9</td></tr> <tr><td>NO.</td><td><b>NO.45-E24</b></td></tr> </table>	Part No.	DZ95319535812	CH part name	水箱出水管	EN part name	Water pipe	RU part name	Шланг резиновый	Size:mm		Weight:kg	0.9	NO.	<b>NO.45-E24</b>		<p>KD0717</p> <table border="1"> <tr><td>Part No.</td><td>DZ95259535406</td></tr> <tr><td>CH part name</td><td>中冷器硅胶管</td></tr> <tr><td>EN part name</td><td>Intercooler hose</td></tr> <tr><td>RU part name</td><td>Патрубок интеркуллера</td></tr> <tr><td>Size:mm</td><td></td></tr> <tr><td>Weight:kg</td><td>1.04</td></tr> <tr><td>NO.</td><td><b>NO.45-40</b></td></tr> </table>	Part No.	DZ95259535406	CH part name	中冷器硅胶管	EN part name	Intercooler hose	RU part name	Патрубок интеркуллера	Size:mm		Weight:kg	1.04	NO.	<b>NO.45-40</b>
Part No.	DZ95319535812																														
CH part name	水箱出水管																														
EN part name	Water pipe																														
RU part name	Шланг резиновый																														
Size:mm																															
Weight:kg	0.9																														
NO.	<b>NO.45-E24</b>																														
Part No.	DZ95259535406																														
CH part name	中冷器硅胶管																														
EN part name	Intercooler hose																														
RU part name	Патрубок интеркуллера																														
Size:mm																															
Weight:kg	1.04																														
NO.	<b>NO.45-40</b>																														
Remarks: SHACMAN F3000 WP12		Remarks: SHACMAN F3000 WP12																													
	<p>KD0718</p> <table border="1"> <tr><td>Part No.</td><td>DZ95259534407</td></tr> <tr><td>CH part name</td><td>下水管</td></tr> <tr><td>EN part name</td><td>Water pipe</td></tr> <tr><td>RU part name</td><td>Шланг резиновый</td></tr> <tr><td>Size:mm</td><td></td></tr> <tr><td>Weight:kg</td><td>0.75</td></tr> <tr><td>NO.</td><td><b>NO.45-26</b></td></tr> </table>	Part No.	DZ95259534407	CH part name	下水管	EN part name	Water pipe	RU part name	Шланг резиновый	Size:mm		Weight:kg	0.75	NO.	<b>NO.45-26</b>		<p>KD0719</p> <table border="1"> <tr><td>Part No.</td><td>DZ95259534018</td></tr> <tr><td>CH part name</td><td>中冷器进气管</td></tr> <tr><td>EN part name</td><td>Outlet pipe</td></tr> <tr><td>RU part name</td><td>выпускной трубы</td></tr> <tr><td>Size:mm</td><td></td></tr> <tr><td>Weight:kg</td><td>2.1</td></tr> <tr><td>NO.</td><td><b>NO.45-40</b></td></tr> </table>	Part No.	DZ95259534018	CH part name	中冷器进气管	EN part name	Outlet pipe	RU part name	выпускной трубы	Size:mm		Weight:kg	2.1	NO.	<b>NO.45-40</b>
Part No.	DZ95259534407																														
CH part name	下水管																														
EN part name	Water pipe																														
RU part name	Шланг резиновый																														
Size:mm																															
Weight:kg	0.75																														
NO.	<b>NO.45-26</b>																														
Part No.	DZ95259534018																														
CH part name	中冷器进气管																														
EN part name	Outlet pipe																														
RU part name	выпускной трубы																														
Size:mm																															
Weight:kg	2.1																														
NO.	<b>NO.45-40</b>																														
Remarks:SHACMAN F3000 WP10		Remarks:SHACMAN F3000 WP12																													

# SHACMAN(1)

	<p>KD0720</p> <table border="1"> <tr><td>Part No.</td><td>DZ93259535315</td></tr> <tr><td>CH part name</td><td>内氟外硅胶管</td></tr> <tr><td>EN part name</td><td>Intercooler hose</td></tr> <tr><td>RU part name</td><td>Патрубок интеркуллера</td></tr> <tr><td>Size:mm</td><td>450*110*5</td></tr> <tr><td>Weight:kg</td><td>0.6</td></tr> <tr><td>NO.</td><td><b>NO.45-31</b></td></tr> </table>	Part No.	DZ93259535315	CH part name	内氟外硅胶管	EN part name	Intercooler hose	RU part name	Патрубок интеркуллера	Size:mm	450*110*5	Weight:kg	0.6	NO.	<b>NO.45-31</b>		<p>KD0721</p> <table border="1"> <tr><td>Part No.</td><td>DZ95259535815</td></tr> <tr><td>CH part name</td><td>中冷器硅胶管</td></tr> <tr><td>EN part name</td><td>Intercooler hose</td></tr> <tr><td>RU part name</td><td>Патрубок интеркуллера</td></tr> <tr><td>Size:mm</td><td></td></tr> <tr><td>Weight:kg</td><td>1.04</td></tr> <tr><td>NO.</td><td><b>NO.45-E30</b></td></tr> </table>	Part No.	DZ95259535815	CH part name	中冷器硅胶管	EN part name	Intercooler hose	RU part name	Патрубок интеркуллера	Size:mm		Weight:kg	1.04	NO.	<b>NO.45-E30</b>
Part No.	DZ93259535315																														
CH part name	内氟外硅胶管																														
EN part name	Intercooler hose																														
RU part name	Патрубок интеркуллера																														
Size:mm	450*110*5																														
Weight:kg	0.6																														
NO.	<b>NO.45-31</b>																														
Part No.	DZ95259535815																														
CH part name	中冷器硅胶管																														
EN part name	Intercooler hose																														
RU part name	Патрубок интеркуллера																														
Size:mm																															
Weight:kg	1.04																														
NO.	<b>NO.45-E30</b>																														
Remarks:SHACMAN F3000 WP10		Remarks:SHACMAN F3000 WP10																													
	<p>KD0722</p> <table border="1"> <tr><td>Part No.</td><td>81.06245.0043</td></tr> <tr><td>CH part name</td><td>摆动支承总成</td></tr> <tr><td>EN part name</td><td>Swing support assembly</td></tr> <tr><td>RU part name</td><td>поддержка ассамблеи</td></tr> <tr><td>Size:mm</td><td></td></tr> <tr><td>Weight:kg</td><td>0.2</td></tr> <tr><td>NO.</td><td><b>NO.45-16</b></td></tr> </table>	Part No.	81.06245.0043	CH part name	摆动支承总成	EN part name	Swing support assembly	RU part name	поддержка ассамблеи	Size:mm		Weight:kg	0.2	NO.	<b>NO.45-16</b>		<p>KD0723</p> <table border="1"> <tr><td>Part No.</td><td>DZ9118532002</td></tr> <tr><td>CH part name</td><td>中冷器进气管</td></tr> <tr><td>EN part name</td><td>Outlet pipe</td></tr> <tr><td>RU part name</td><td>выпускной трубы</td></tr> <tr><td>Size:mm</td><td>400*230*180</td></tr> <tr><td>Weight:kg</td><td>1.2</td></tr> <tr><td>NO.</td><td><b>NO.45-40</b></td></tr> </table>	Part No.	DZ9118532002	CH part name	中冷器进气管	EN part name	Outlet pipe	RU part name	выпускной трубы	Size:mm	400*230*180	Weight:kg	1.2	NO.	<b>NO.45-40</b>
Part No.	81.06245.0043																														
CH part name	摆动支承总成																														
EN part name	Swing support assembly																														
RU part name	поддержка ассамблеи																														
Size:mm																															
Weight:kg	0.2																														
NO.	<b>NO.45-16</b>																														
Part No.	DZ9118532002																														
CH part name	中冷器进气管																														
EN part name	Outlet pipe																														
RU part name	выпускной трубы																														
Size:mm	400*230*180																														
Weight:kg	1.2																														
NO.	<b>NO.45-40</b>																														
Remarks:SHACMAN F3000 F2000		Remarks: SHACMAN																													
	<p>KD0724</p> <table border="1"> <tr><td>Part No.</td><td>DZ9118532001</td></tr> <tr><td>CH part name</td><td>中冷器出气管</td></tr> <tr><td>EN part name</td><td>Intercooler outlet pipe</td></tr> <tr><td>RU part name</td><td>Выпускной шланг интеркуллера</td></tr> <tr><td>Size:mm</td><td>900*250*120</td></tr> <tr><td>Weight:kg</td><td>3.2</td></tr> <tr><td>NO.</td><td><b>NO.45-38</b></td></tr> </table>	Part No.	DZ9118532001	CH part name	中冷器出气管	EN part name	Intercooler outlet pipe	RU part name	Выпускной шланг интеркуллера	Size:mm	900*250*120	Weight:kg	3.2	NO.	<b>NO.45-38</b>		<p>KD0725</p> <table border="1"> <tr><td>Part No.</td><td>DZ9112531404</td></tr> <tr><td>CH part name</td><td>中冷器出气管</td></tr> <tr><td>EN part name</td><td>Intercooler outlet pipe</td></tr> <tr><td>RU part name</td><td>Выпускной шланг интеркуллера</td></tr> <tr><td>Size:mm</td><td>350*150*100</td></tr> <tr><td>Weight:kg</td><td>0.8</td></tr> <tr><td>NO.</td><td><b>NO.45-40</b></td></tr> </table>	Part No.	DZ9112531404	CH part name	中冷器出气管	EN part name	Intercooler outlet pipe	RU part name	Выпускной шланг интеркуллера	Size:mm	350*150*100	Weight:kg	0.8	NO.	<b>NO.45-40</b>
Part No.	DZ9118532001																														
CH part name	中冷器出气管																														
EN part name	Intercooler outlet pipe																														
RU part name	Выпускной шланг интеркуллера																														
Size:mm	900*250*120																														
Weight:kg	3.2																														
NO.	<b>NO.45-38</b>																														
Part No.	DZ9112531404																														
CH part name	中冷器出气管																														
EN part name	Intercooler outlet pipe																														
RU part name	Выпускной шланг интеркуллера																														
Size:mm	350*150*100																														
Weight:kg	0.8																														
NO.	<b>NO.45-40</b>																														
Remarks: SHACMAN		Remarks: SHACMAN																													
	<p>KD0726</p> <table border="1"> <tr><td>Part No.</td><td>DZ9118532003</td></tr> <tr><td>CH part name</td><td>中冷器出气管</td></tr> <tr><td>EN part name</td><td>Intercooler outlet pipe</td></tr> <tr><td>RU part name</td><td>Выпускной шланг интеркуллера</td></tr> <tr><td>Size:mm</td><td>750*220*130</td></tr> <tr><td>Weight:kg</td><td>2.2</td></tr> <tr><td>NO.</td><td><b>NO.45-38</b></td></tr> </table>	Part No.	DZ9118532003	CH part name	中冷器出气管	EN part name	Intercooler outlet pipe	RU part name	Выпускной шланг интеркуллера	Size:mm	750*220*130	Weight:kg	2.2	NO.	<b>NO.45-38</b>		<p>KD0727</p> <table border="1"> <tr><td>Part No.</td><td>DZ9114537430</td></tr> <tr><td>CH part name</td><td>中冷器进气管</td></tr> <tr><td>EN part name</td><td>Outlet pipe</td></tr> <tr><td>RU part name</td><td>выпускной трубы</td></tr> <tr><td>Size:mm</td><td></td></tr> <tr><td>Weight:kg</td><td>2.9</td></tr> <tr><td>NO.</td><td><b>NO.45-40</b></td></tr> </table>	Part No.	DZ9114537430	CH part name	中冷器进气管	EN part name	Outlet pipe	RU part name	выпускной трубы	Size:mm		Weight:kg	2.9	NO.	<b>NO.45-40</b>
Part No.	DZ9118532003																														
CH part name	中冷器出气管																														
EN part name	Intercooler outlet pipe																														
RU part name	Выпускной шланг интеркуллера																														
Size:mm	750*220*130																														
Weight:kg	2.2																														
NO.	<b>NO.45-38</b>																														
Part No.	DZ9114537430																														
CH part name	中冷器进气管																														
EN part name	Outlet pipe																														
RU part name	выпускной трубы																														
Size:mm																															
Weight:kg	2.9																														
NO.	<b>NO.45-40</b>																														
Remarks:SHACMAN DZ9112530025		Remarks:SHACMAN																													

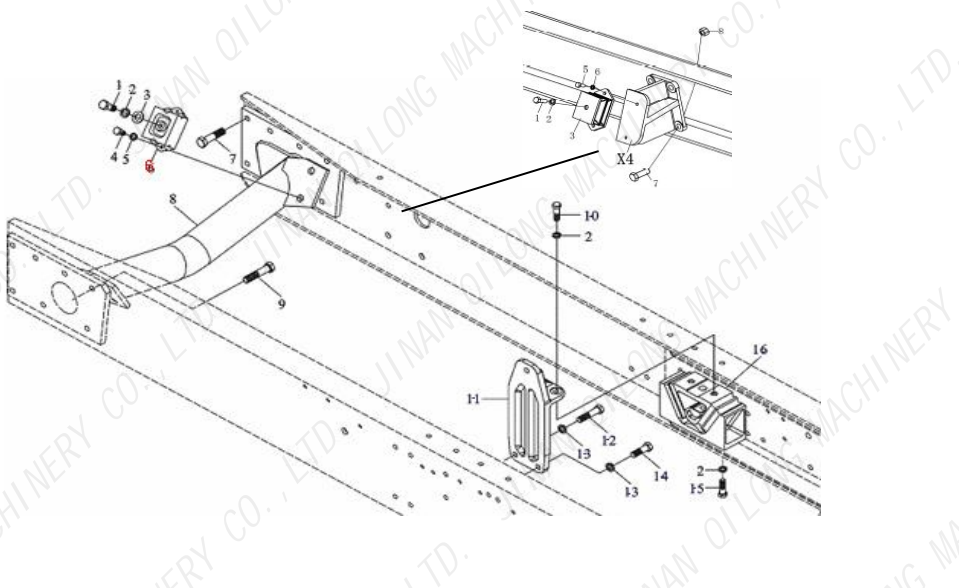
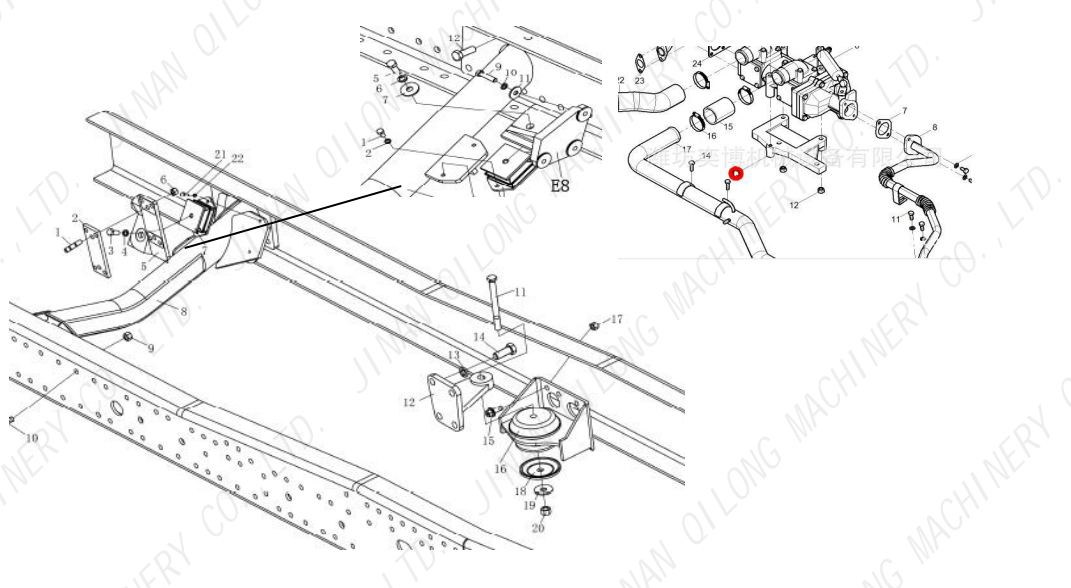




# SHACMAN(1)

KD0728		KD0729	
	Part No. DZ9114530260		Part No. DZ9114590009
	CH part name 膨胀水箱		CH part name 发动机前支架 ( R )
	EN part name Expansion tank		EN part name Engine right bracket
	RU part name Расширительный бачок в сборе		RU part name Кронштейн двигателя правый
	Size:mm 520*450*80		Size:mm 208*208*40
	Weight:kg 1.35		Weight:kg 1.5
	NO. <b>NO.45-T16</b>		NO. <b>NO.A45-19</b>
Remarks:SHACMAN F2000 F3000		Remarks:SHACMAN F2000 F3000	
KD0730		KD0731	
	Part No. DZ9114598692		Part No. DZ9114599996
	CH part name 发动机后支架(L)		CH part name 发动机前支架(L)
	EN part name Engine rear left bracket		EN part name Engine right bracket
	RU part name Кронштейн крепления двигателя левый		RU part name Кронштейн двигателя правый
	Size:mm 400*130*50		Size:mm 208*208*40
	Weight:kg 4.2		Weight:kg 1.5
	NO. <b>NO.45-11</b>		NO. <b>NO.A45-5</b>
Remarks:SHACMAN F2000 F3000		Remarks:SHACMAN F2000 F3000	
KD0732		KD0733	
	Part No. DZ9114598693		Part No. DZ93259591032
	CH part name 发动机后支架(R)		CH part name 发动机前支架 ( L )
	EN part name Engine rear left bracket		EN part name Engine right bracket
	RU part name Кронштейн крепления двигателя левый		RU part name Кронштейн двигателя правый
	Size:mm 400*130*50		Size:mm 208*208*40
	Weight:kg 4.2		Weight:kg 1.5
	NO. <b>NO.45-11</b>		NO. <b>NO.A45-5</b>
Remarks:SHACMAN F2000 F3000		Remarks:SHACMAN 牵引 自卸 6*4 8*4 F3000 DZ95259591211	
KD0734		KD0735	
	Part No. DZ95259590052		Part No. DZ93259591033
	CH part name 发动机后支架(R)		CH part name 发动机前支架 ( R )
	EN part name Engine rear left bracket		EN part name Engine right bracket
	RU part name Кронштейн крепления двигателя левый		RU part name Кронштейн двигателя правый
	Size:mm		Size:mm 208*208*40
	Weight:kg 1.1		Weight:kg 1.5
	NO. <b>NO.A45-12</b>		NO. <b>NO.A45-5</b>
Remarks:SHACMAN 牵引 6*4 8*4 F3000		Remarks:SHACMAN 牵引 自卸 6*4 8*4 F3000 DZ95259591210	

# SHACMAN(1)

KD0736			KD0737		
	Part No.	DZ95259590051		Part No.	DZ95259590076
	CH part name	发动机后支架(L)		CH part name	发动机前支架 ( R )
	EN part name	Engine rear left bracket		EN part name	Engine right bracket
	RU part name	Кронштейн крепления двигателя левый		RU part name	Кронштейн двигателя правый
	Size:mm			Size:mm	
	Weight:kg	1.1		Weight:kg	1.34
	NO.	<b>NO.A45-12</b>		NO.	<b>NO.A45-5</b>
Remarks:SHACMAN 牵引 6*4 8*4 F3000			Remarks:SHACMAN F3000 M3000		
KD0738			KD0739		
	Part No.	DZ93259590043		Part No.	DZ95259590075
	CH part name	发动机托架 ( R )		CH part name	发动机前支架 ( L )
	EN part name	Engine rear left bracket		EN part name	Engine right bracket
	RU part name	Кронштейн крепления двигателя левый		RU part name	Кронштейн двигателя правый
	Size:mm			Size:mm	
	Weight:kg	1.1		Weight:kg	1.34
	NO.	<b>NO.A45-12</b>		NO.	<b>NO.A45-5</b>
Remarks:SHACMAN 自卸 6*4 8*4 F3000 DZ9112590151 WP12			Remarks:SHACMAN F3000 M3000		
KD0740			KD0741		
	Part No.	DZ93259590044		Part No.	168000590095
	CH part name	发动机托架 ( L )		CH part name	发动机前支撑
	EN part name	Engine rear left bracket		EN part name	Engine front bearer
	RU part name	Кронштейн крепления двигателя левый		RU part name	Подушка двигателя передняя
	Size:mm			Size:mm	117.5*70*47
	Weight:kg	1.1		Weight:kg	0.68
	NO.	<b>NO.A45-12</b>		NO.	<b>NO.45-6</b>
Remarks:SHACMAN 自卸 6*4 8*4 F3000 DZ9112590152 WP12			Remarks: SHACMAN F2000 DZ9112590040		
KD0742			KD0743		
	Part No.	DZ9112590186		Part No.	DZ9112590185
	CH part name	发动机前支架 ( R )		CH part name	发动机前支架 ( L )
	EN part name	Engine right bracket		EN part name	Engine right bracket
	RU part name	Кронштейн двигателя правый		RU part name	Кронштейн двигателя правый
	Size:mm			Size:mm	
	Weight:kg	1.23		Weight:kg	1.23
	NO.	<b>NO.A45-E8</b>		NO.	<b>NO.A45-E8</b>
Remarks:SHACMAN ISM F2000 F3000 M3000 X3000			Remarks:SHACMAN ISM F2000 F3000 M3000 X3000		

# SHACMAN(1)

ENGINE SUSPENSION			NO.46			ENGINE SUSPENSION			NO.A46																								
																																	
<table border="1"> <tr><td>Part No.</td><td>DZ9114598320</td></tr> <tr><td>CH part name</td><td>左悬置(L)</td></tr> <tr><td>EN part name</td><td>Engine right bracket</td></tr> <tr><td>RU part name</td><td>Кроштейн двигателя правый</td></tr> <tr><td>Size:mm</td><td>160*160*120</td></tr> <tr><td>Weight:kg</td><td>4.75</td></tr> <tr><td>NO.</td><td><b>NO.A45-16</b></td></tr> </table>			Part No.	DZ9114598320	CH part name	左悬置(L)	EN part name	Engine right bracket	RU part name	Кроштейн двигателя правый	Size:mm	160*160*120	Weight:kg	4.75	NO.	<b>NO.A45-16</b>	<table border="1"> <tr><td>Part No.</td><td>DZ9114598319</td></tr> <tr><td>CH part name</td><td>右悬置(R)</td></tr> <tr><td>EN part name</td><td>Engine right bracket</td></tr> <tr><td>RU part name</td><td>Кроштейн двигателя правый</td></tr> <tr><td>Size:mm</td><td>160*160*120</td></tr> <tr><td>Weight:kg</td><td>4.75</td></tr> <tr><td>NO.</td><td><b>NO.A45-16</b></td></tr> </table>			Part No.	DZ9114598319	CH part name	右悬置(R)	EN part name	Engine right bracket	RU part name	Кроштейн двигателя правый	Size:mm	160*160*120	Weight:kg	4.75	NO.	<b>NO.A45-16</b>
Part No.	DZ9114598320																																
CH part name	左悬置(L)																																
EN part name	Engine right bracket																																
RU part name	Кроштейн двигателя правый																																
Size:mm	160*160*120																																
Weight:kg	4.75																																
NO.	<b>NO.A45-16</b>																																
Part No.	DZ9114598319																																
CH part name	右悬置(R)																																
EN part name	Engine right bracket																																
RU part name	Кроштейн двигателя правый																																
Size:mm	160*160*120																																
Weight:kg	4.75																																
NO.	<b>NO.A45-16</b>																																
Remarks:SHACMAN F2000 F3000 M3000 X3000			Remarks:SHACMAN F2000 F3000 M3000 X3000																														
<table border="1"> <tr><td>Part No.</td><td>SZ959000797</td></tr> <tr><td>CH part name</td><td>发动机后支撑</td></tr> <tr><td>EN part name</td><td>Engine right bracket</td></tr> <tr><td>RU part name</td><td>Кроштейн двигателя правый</td></tr> <tr><td>Size:mm</td><td>210*119*70</td></tr> <tr><td>Weight:kg</td><td>4.9</td></tr> <tr><td>NO.</td><td><b>NO.45-16</b></td></tr> </table>			Part No.	SZ959000797	CH part name	发动机后支撑	EN part name	Engine right bracket	RU part name	Кроштейн двигателя правый	Size:mm	210*119*70	Weight:kg	4.9	NO.	<b>NO.45-16</b>	<table border="1"> <tr><td>Part No.</td><td>DZ9114593001</td></tr> <tr><td>CH part name</td><td>发动机前支撑</td></tr> <tr><td>EN part name</td><td>Engine front bearer</td></tr> <tr><td>RU part name</td><td>Подушка двигателя передняя</td></tr> <tr><td>Size:mm</td><td>117.5*70*47</td></tr> <tr><td>Weight:kg</td><td>0.68</td></tr> <tr><td>NO.</td><td><b>NO.A45-7</b></td></tr> </table>			Part No.	DZ9114593001	CH part name	发动机前支撑	EN part name	Engine front bearer	RU part name	Подушка двигателя передняя	Size:mm	117.5*70*47	Weight:kg	0.68	NO.	<b>NO.A45-7</b>
Part No.	SZ959000797																																
CH part name	发动机后支撑																																
EN part name	Engine right bracket																																
RU part name	Кроштейн двигателя правый																																
Size:mm	210*119*70																																
Weight:kg	4.9																																
NO.	<b>NO.45-16</b>																																
Part No.	DZ9114593001																																
CH part name	发动机前支撑																																
EN part name	Engine front bearer																																
RU part name	Подушка двигателя передняя																																
Size:mm	117.5*70*47																																
Weight:kg	0.68																																
NO.	<b>NO.A45-7</b>																																
Remarks:SHACMAN F2000 F3000 M3000 X3000 199100590031			Remarks:SHACMAN F2000 F3000 M3000 X3000 DZ91259593001																														



# SHACMAN(1)

	<table border="1"> <tr><td>Part No.</td><td>DZ9114590612</td></tr> <tr><td>CH part name</td><td>左托架总成 ( L)</td></tr> <tr><td>EN part name</td><td>Engine right bracket</td></tr> <tr><td>RU part name</td><td>Кроштейн двигателя правый</td></tr> <tr><td>Size:mm</td><td>160*160*120</td></tr> <tr><td>Weight:kg</td><td>4.75</td></tr> <tr><td>NO.</td><td><b>NO.A45-16</b></td></tr> </table>	Part No.	DZ9114590612	CH part name	左托架总成 ( L)	EN part name	Engine right bracket	RU part name	Кроштейн двигателя правый	Size:mm	160*160*120	Weight:kg	4.75	NO.	<b>NO.A45-16</b>		<table border="1"> <tr><td>Part No.</td><td>DZ9114590611</td></tr> <tr><td>CH part name</td><td>左托架总成 ( R)</td></tr> <tr><td>EN part name</td><td>Engine right bracket</td></tr> <tr><td>RU part name</td><td>Кроштейн двигателя правый</td></tr> <tr><td>Size:mm</td><td>160*160*120</td></tr> <tr><td>Weight:kg</td><td>4.75</td></tr> <tr><td>NO.</td><td><b>NO.A45-16</b></td></tr> </table>	Part No.	DZ9114590611	CH part name	左托架总成 ( R)	EN part name	Engine right bracket	RU part name	Кроштейн двигателя правый	Size:mm	160*160*120	Weight:kg	4.75	NO.	<b>NO.A45-16</b>
Part No.	DZ9114590612																														
CH part name	左托架总成 ( L)																														
EN part name	Engine right bracket																														
RU part name	Кроштейн двигателя правый																														
Size:mm	160*160*120																														
Weight:kg	4.75																														
NO.	<b>NO.A45-16</b>																														
Part No.	DZ9114590611																														
CH part name	左托架总成 ( R)																														
EN part name	Engine right bracket																														
RU part name	Кроштейн двигателя правый																														
Size:mm	160*160*120																														
Weight:kg	4.75																														
NO.	<b>NO.A45-16</b>																														
Remarks:SHACMAN WP12 F3000		Remarks:SHACMAN WP12 F3000																													
	<table border="1"> <tr><td>Part No.</td><td>612600113046</td></tr> <tr><td>CH part name</td><td>支架</td></tr> <tr><td>EN part name</td><td>Engine right bracket</td></tr> <tr><td>RU part name</td><td>Кроштейн двигателя правый</td></tr> <tr><td>Size:mm</td><td></td></tr> <tr><td>Weight:kg</td><td>1.05</td></tr> <tr><td>NO.</td><td><b>NO.A45-13</b></td></tr> </table>	Part No.	612600113046	CH part name	支架	EN part name	Engine right bracket	RU part name	Кроштейн двигателя правый	Size:mm		Weight:kg	1.05	NO.	<b>NO.A45-13</b>		<table border="1"> <tr><td>Part No.</td><td>199100590020</td></tr> <tr><td>CH part name</td><td>发动机后支架(L)</td></tr> <tr><td>EN part name</td><td>Engine rear left bracket</td></tr> <tr><td>RU part name</td><td>Кронштейн крепления двигателя левый</td></tr> <tr><td>Size:mm</td><td></td></tr> <tr><td>Weight:kg</td><td>4.1</td></tr> <tr><td>NO.</td><td><b>NO.45-11</b></td></tr> </table>	Part No.	199100590020	CH part name	发动机后支架(L)	EN part name	Engine rear left bracket	RU part name	Кронштейн крепления двигателя левый	Size:mm		Weight:kg	4.1	NO.	<b>NO.45-11</b>
Part No.	612600113046																														
CH part name	支架																														
EN part name	Engine right bracket																														
RU part name	Кроштейн двигателя правый																														
Size:mm																															
Weight:kg	1.05																														
NO.	<b>NO.A45-13</b>																														
Part No.	199100590020																														
CH part name	发动机后支架(L)																														
EN part name	Engine rear left bracket																														
RU part name	Кронштейн крепления двигателя левый																														
Size:mm																															
Weight:kg	4.1																														
NO.	<b>NO.45-11</b>																														
Remarks:SHACMAN WP12 F3000		Remarks:SHACMAN WP615 F2000																													
	<table border="1"> <tr><td>Part No.</td><td>DZ93259590240</td></tr> <tr><td>CH part name</td><td>管梁横梁总成</td></tr> <tr><td>EN part name</td><td>Cross member assembly</td></tr> <tr><td>RU part name</td><td>Поперечная балка</td></tr> <tr><td>Size:mm</td><td></td></tr> <tr><td>Weight:kg</td><td>2.1</td></tr> <tr><td>NO.</td><td><b>NO.A45-8</b></td></tr> </table>	Part No.	DZ93259590240	CH part name	管梁横梁总成	EN part name	Cross member assembly	RU part name	Поперечная балка	Size:mm		Weight:kg	2.1	NO.	<b>NO.A45-8</b>		<table border="1"> <tr><td>Part No.</td><td>DZ93259590080</td></tr> <tr><td>CH part name</td><td>管状横梁总成</td></tr> <tr><td>EN part name</td><td>Cross member assembly</td></tr> <tr><td>RU part name</td><td>Поперечная балка</td></tr> <tr><td>Size:mm</td><td></td></tr> <tr><td>Weight:kg</td><td>2.1</td></tr> <tr><td>NO.</td><td><b>NO.A45-8</b></td></tr> </table>	Part No.	DZ93259590080	CH part name	管状横梁总成	EN part name	Cross member assembly	RU part name	Поперечная балка	Size:mm		Weight:kg	2.1	NO.	<b>NO.A45-8</b>
Part No.	DZ93259590240																														
CH part name	管梁横梁总成																														
EN part name	Cross member assembly																														
RU part name	Поперечная балка																														
Size:mm																															
Weight:kg	2.1																														
NO.	<b>NO.A45-8</b>																														
Part No.	DZ93259590080																														
CH part name	管状横梁总成																														
EN part name	Cross member assembly																														
RU part name	Поперечная балка																														
Size:mm																															
Weight:kg	2.1																														
NO.	<b>NO.A45-8</b>																														
Remarks:SHACMAN F3000 WP10 发动机4*2/6*4/6*2 牵引车		Remarks:SHACMAN F3000 WP10 自卸车 6*4 搅拌车																													
	<table border="1"> <tr><td>Part No.</td><td>DZ95259592003</td></tr> <tr><td>CH part name</td><td>管状横梁总成</td></tr> <tr><td>EN part name</td><td>Cross member assembly</td></tr> <tr><td>RU part name</td><td>Поперечная балка</td></tr> <tr><td>Size:mm</td><td></td></tr> <tr><td>Weight:kg</td><td>2.1</td></tr> <tr><td>NO.</td><td><b>NO.A45-8</b></td></tr> </table>	Part No.	DZ95259592003	CH part name	管状横梁总成	EN part name	Cross member assembly	RU part name	Поперечная балка	Size:mm		Weight:kg	2.1	NO.	<b>NO.A45-8</b>		<table border="1"> <tr><td>Part No.</td><td>DZ9112590182</td></tr> <tr><td>CH part name</td><td>管状横梁总成</td></tr> <tr><td>EN part name</td><td>Cross member assembly</td></tr> <tr><td>RU part name</td><td>Поперечная балка</td></tr> <tr><td>Size:mm</td><td></td></tr> <tr><td>Weight:kg</td><td>2.1</td></tr> <tr><td>NO.</td><td><b>NO.A45-8</b></td></tr> </table>	Part No.	DZ9112590182	CH part name	管状横梁总成	EN part name	Cross member assembly	RU part name	Поперечная балка	Size:mm		Weight:kg	2.1	NO.	<b>NO.A45-8</b>
Part No.	DZ95259592003																														
CH part name	管状横梁总成																														
EN part name	Cross member assembly																														
RU part name	Поперечная балка																														
Size:mm																															
Weight:kg	2.1																														
NO.	<b>NO.A45-8</b>																														
Part No.	DZ9112590182																														
CH part name	管状横梁总成																														
EN part name	Cross member assembly																														
RU part name	Поперечная балка																														
Size:mm																															
Weight:kg	2.1																														
NO.	<b>NO.A45-8</b>																														
Remarks:SHACMAN F3000 WP10 发动机 8*4 自卸、搅拌车		Remarks:SHACMAN F3000 康明斯ISM 发动机6*4 牵引车																													

# SHACMAN(1)

	<p>Part No. DZ9112590220</p> <p>CH part name 管状横梁总成</p> <p>EN part name Cross member assembly</p> <p>RU part name Поперечная балка</p> <p>Size:mm</p> <p>Weight:kg 2.1</p> <p>NO. <b>NO.A45-8</b></p>		<p>Part No. 81.08201.6053</p> <p>CH part name 进气管带支架总成</p> <p>EN part name Intake pipe assembly</p> <p>RU part name Воздухозаборник</p> <p>Size:mm 1200*450*280</p> <p>Weight:kg 12</p> <p>NO. <b>NO.A46-8</b></p>
Remarks:SHACMAN F3000 F2000		Remarks:SHACMAN F3000 F2000	
	<p>Part No. DZ9112190079</p> <p>CH part name 空气软管</p> <p>EN part name Air hose pipe</p> <p>RU part name Труба воздушный в сбореивоздухозаборник</p> <p>Size:mm 1000*160*160</p> <p>Weight:kg 1.72</p> <p>NO. <b>NO.46-16</b></p>		<p>Part No. DZ93259190005</p> <p>CH part name 进气管带支架总成</p> <p>EN part name Intake pipe assembly</p> <p>RU part name Воздухозаборник</p> <p>Size:mm 1200*450*280</p> <p>Weight:kg 12</p> <p>NO. <b>NO.A46-8</b></p>
Remarks:SHACMAN F3000 F2000 DZ9112190078		Remarks:SHACMAN F3000 F2000	
	<p>Part No. DZ9112190080</p> <p>CH part name 空气软管</p> <p>EN part name Air hose pipe</p> <p>RU part name Труба воздушный в сбореивоздухозаборник</p> <p>Size:mm 980*160*160</p> <p>Weight:kg 1.69</p> <p>NO. <b>NO.46-16</b></p>		<p>Part No. DZ93259190049</p> <p>CH part name 进气软管</p> <p>EN part name Air hose pipe</p> <p>RU part name Труба воздушный в сбореивоздухозаборник</p> <p>Size:mm</p> <p>Weight:kg 1.25</p> <p>NO. <b>NO.46-31</b></p>
Remarks:SHACMAN F3000 F2000		Remarks:SHACMAN F3000 F2000	
	<p>Part No. 199100190082</p> <p>CH part name 进气软管</p> <p>EN part name Air hose pipe</p> <p>RU part name Труба воздушный в сбореивоздухозаборник</p> <p>Size:mm</p> <p>Weight:kg 1.5</p> <p>NO. <b>NO.46-16</b></p>		<p>Part No. DZ93259190006</p> <p>CH part name 波纹管总成</p> <p>EN part name Corrugated air intake pipe</p> <p>RU part name Подушка двигателя передняя</p> <p>Size:mm</p> <p>Weight:kg 1.2</p> <p>NO. <b>NO.46-12</b></p>
Remarks:SHACMAN F2000		Remarks:SHACMAN F3000	

# SHACMAN(1)

	Part No. CH part name EN part name RU part name Size:mm Weight:kg NO.	DZ9112190026 波纹管 Corrugated air intake pipe Подушка двигателя передняя 230*180*180 1.4 <b>NO.46-21</b>		Part No. CH part name EN part name RU part name Size:mm Weight:kg NO.	DZ9118190191 空滤波纹管 Corrugated air intake pipe Подушка двигателя передняя 250*250*180 0.425 <b>NO.A46-21</b>
Remarks:SHACMAN F2000			Remarks:SHACMAN F3000 81.08201.0425		
	Part No. CH part name EN part name RU part name Size:mm Weight:kg NO.	DZ9118190110 空滤器接管 Air intake pipe connector Впускной разъем 1.5 <b>NO.A46-22</b>		Part No. CH part name EN part name RU part name Size:mm Weight:kg NO.	DZ9112190600 空滤器接管 Air intake pipe connector Впускной разъем 500*230*200 1.8 <b>NO.A46-22</b>
Remarks:SHACMAN F3000 8*4 加长			Remarks:SHACMAN F3000 8*4/半长		
	Part No. CH part name EN part name RU part name Size:mm Weight:kg NO.	DZ91259190043/45 空滤器接管 Air intake pipe connector Впускной разъем 1.95 <b>NO.46-32</b>		Part No. CH part name EN part name RU part name Size:mm Weight:kg NO.	DZ9112196032 空滤器接管 Air intake pipe connector Впускной разъем 500*230*200 1.8 <b>NO.A46-22</b>
Remarks: SHACMAN F3000			Remarks: SHACMAN F2000 F3000 DZ9118190190 6*4/加长		
	Part No. CH part name EN part name RU part name Size:mm Weight:kg NO.	DZ93259190009 底座总成 Pedestal assembly пьедастал ассамблеи 1.95 <b>NO.46-32</b>		Part No. CH part name EN part name RU part name Size:mm Weight:kg NO.	DZ93259190011 进气接管 Air hose pipe Патрубок впуска 1.1 <b>NO.46-31</b>
Remarks: SHACMAN F3000			Remarks: SHACMAN F3000		

# SHACMAN(1)

AIR CLEANING DEVICE		NO.46	AIR CLEANING DEVICE		NO.A46
KD0772			KD0773		
	Part No.	SZ919000853		Part No.	DZ93259190090
	CH part name	空滤器接管		CH part name	空气软管
	EN part name	Air intake pipe connector		EN part name	Air hose pipe
	RU part name	Впускной разъем		RU part name	Воздушный шланг
	Size:mm			Size:mm	
	Weight:kg	1.56		Weight:kg	1.69
	NO.	<b>NO.46-32</b>		NO.	<b>NO.46-16</b>
Remarks:SHACMAN F3000			Remarks:SHACMAN F3000		
KD0774			KD0775		
	Part No.	DZ93259190007		Part No.	DZ93259190145
	CH part name	底座总成		CH part name	进气接管
	EN part name	Pedestal assembly		EN part name	Air hose pipe
	RU part name	Фундамент в сборе		RU part name	Патрубок впуска
	Size:mm			Size:mm	
	Weight:kg	1.56		Weight:kg	1.1
	NO.	<b>NO.46-32</b>		NO.	<b>NO.46-31</b>
Remarks:SHACMAN F3000			Remarks:SHACMAN F3000		

# SHACMAN(1)

	<p>KD0776</p> <table border="1"> <tr><td>Part No.</td><td>DZ93319190004</td></tr> <tr><td>CH part name</td><td>进气接管</td></tr> <tr><td>EN part name</td><td>Air hose pipe</td></tr> <tr><td>RU part name</td><td>Патрубок впуска</td></tr> <tr><td>Size:mm</td><td></td></tr> <tr><td>Weight:kg</td><td>1.1</td></tr> <tr><td>NO.</td><td><b>NO.46-31</b></td></tr> </table>	Part No.	DZ93319190004	CH part name	进气接管	EN part name	Air hose pipe	RU part name	Патрубок впуска	Size:mm		Weight:kg	1.1	NO.	<b>NO.46-31</b>		<p>KD0777</p> <table border="1"> <tr><td>Part No.</td><td>DZ93259190066</td></tr> <tr><td>CH part name</td><td>弯管</td></tr> <tr><td>EN part name</td><td>elbow</td></tr> <tr><td>RU part name</td><td>ЛОКОТЬ</td></tr> <tr><td>Size:mm</td><td></td></tr> <tr><td>Weight:kg</td><td>1.1</td></tr> <tr><td>NO.</td><td><b>NO.A46-23</b></td></tr> </table>	Part No.	DZ93259190066	CH part name	弯管	EN part name	elbow	RU part name	ЛОКОТЬ	Size:mm		Weight:kg	1.1	NO.	<b>NO.A46-23</b>
Part No.	DZ93319190004																														
CH part name	进气接管																														
EN part name	Air hose pipe																														
RU part name	Патрубок впуска																														
Size:mm																															
Weight:kg	1.1																														
NO.	<b>NO.46-31</b>																														
Part No.	DZ93259190066																														
CH part name	弯管																														
EN part name	elbow																														
RU part name	ЛОКОТЬ																														
Size:mm																															
Weight:kg	1.1																														
NO.	<b>NO.A46-23</b>																														
Remarks:SHACMAN F3000 8*6		Remarks:SHACMAN F3000 ISM 新M3000 DZ9100190086																													
	<p>KD0778</p> <table border="1"> <tr><td>Part No.</td><td>DZ9118190230</td></tr> <tr><td>CH part name</td><td>空滤器总成</td></tr> <tr><td>EN part name</td><td>Air filter assy.</td></tr> <tr><td>RU part name</td><td>Воздушный фильтр в сборе</td></tr> <tr><td>Size:mm</td><td>380*350*550</td></tr> <tr><td>Weight:kg</td><td>18</td></tr> <tr><td>NO.</td><td><b>NO.A46-24</b></td></tr> </table>	Part No.	DZ9118190230	CH part name	空滤器总成	EN part name	Air filter assy.	RU part name	Воздушный фильтр в сборе	Size:mm	380*350*550	Weight:kg	18	NO.	<b>NO.A46-24</b>		<p>KD0779</p> <table border="1"> <tr><td>Part No.</td><td>DZ93319190003</td></tr> <tr><td>CH part name</td><td>底座总成</td></tr> <tr><td>EN part name</td><td>Pedestal assembly</td></tr> <tr><td>RU part name</td><td>пьедестал ассамблеи</td></tr> <tr><td>Size:mm</td><td></td></tr> <tr><td>Weight:kg</td><td>1.56</td></tr> <tr><td>NO.</td><td><b>NO.46-32</b></td></tr> </table>	Part No.	DZ93319190003	CH part name	底座总成	EN part name	Pedestal assembly	RU part name	пьедестал ассамблеи	Size:mm		Weight:kg	1.56	NO.	<b>NO.46-32</b>
Part No.	DZ9118190230																														
CH part name	空滤器总成																														
EN part name	Air filter assy.																														
RU part name	Воздушный фильтр в сборе																														
Size:mm	380*350*550																														
Weight:kg	18																														
NO.	<b>NO.A46-24</b>																														
Part No.	DZ93319190003																														
CH part name	底座总成																														
EN part name	Pedestal assembly																														
RU part name	пьедестал ассамблеи																														
Size:mm																															
Weight:kg	1.56																														
NO.	<b>NO.46-32</b>																														
Remarks:SHACMAN F3000 F2000		Remarks:SHACMAN F3000 8*6																													
	<p>KD0780</p> <table border="1"> <tr><td>Part No.</td><td>DZ93259190041</td></tr> <tr><td>CH part name</td><td>沙漠空滤</td></tr> <tr><td>EN part name</td><td>Desert air filter</td></tr> <tr><td>RU part name</td><td>пустыня воздушный фильтр</td></tr> <tr><td>Size:mm</td><td></td></tr> <tr><td>Weight:kg</td><td>28</td></tr> <tr><td>NO.</td><td><b>NO.46-30</b></td></tr> </table>	Part No.	DZ93259190041	CH part name	沙漠空滤	EN part name	Desert air filter	RU part name	пустыня воздушный фильтр	Size:mm		Weight:kg	28	NO.	<b>NO.46-30</b>		<p>KD0781</p> <table border="1"> <tr><td>Part No.</td><td>DZ9112190328</td></tr> <tr><td>CH part name</td><td>空滤器总成</td></tr> <tr><td>EN part name</td><td>Air filter assy.</td></tr> <tr><td>RU part name</td><td>Воздушный фильтр в сборе</td></tr> <tr><td>Size:mm</td><td>380*350*550</td></tr> <tr><td>Weight:kg</td><td>18</td></tr> <tr><td>NO.</td><td><b>NO.A46-24</b></td></tr> </table>	Part No.	DZ9112190328	CH part name	空滤器总成	EN part name	Air filter assy.	RU part name	Воздушный фильтр в сборе	Size:mm	380*350*550	Weight:kg	18	NO.	<b>NO.A46-24</b>
Part No.	DZ93259190041																														
CH part name	沙漠空滤																														
EN part name	Desert air filter																														
RU part name	пустыня воздушный фильтр																														
Size:mm																															
Weight:kg	28																														
NO.	<b>NO.46-30</b>																														
Part No.	DZ9112190328																														
CH part name	空滤器总成																														
EN part name	Air filter assy.																														
RU part name	Воздушный фильтр в сборе																														
Size:mm	380*350*550																														
Weight:kg	18																														
NO.	<b>NO.A46-24</b>																														
Remarks:SHACMAN F3000 F2000 DZ9112190023 DZ93319190011 8*4		Remarks:SHACMAN F3000 新M3000 DZ9112190093																													
	<p>KD0782</p> <table border="1"> <tr><td>Part No.</td><td>DZ91259190042</td></tr> <tr><td>CH part name</td><td>油浴式空滤器</td></tr> <tr><td>EN part name</td><td>Desert air filter</td></tr> <tr><td>RU part name</td><td>пустыня воздушный фильтр</td></tr> <tr><td>Size:mm</td><td></td></tr> <tr><td>Weight:kg</td><td>31.5</td></tr> <tr><td>NO.</td><td><b>NO.46-30</b></td></tr> </table>	Part No.	DZ91259190042	CH part name	油浴式空滤器	EN part name	Desert air filter	RU part name	пустыня воздушный фильтр	Size:mm		Weight:kg	31.5	NO.	<b>NO.46-30</b>		<p>KD0783</p> <table border="1"> <tr><td>Part No.</td><td>81.08400.6005</td></tr> <tr><td>CH part name</td><td>空滤器总成</td></tr> <tr><td>EN part name</td><td>Air filter assy.</td></tr> <tr><td>RU part name</td><td>Воздушный фильтр в сборе</td></tr> <tr><td>Size:mm</td><td>300*300*470</td></tr> <tr><td>Weight:kg</td><td>18</td></tr> <tr><td>NO.</td><td><b>NO.A46-24</b></td></tr> </table>	Part No.	81.08400.6005	CH part name	空滤器总成	EN part name	Air filter assy.	RU part name	Воздушный фильтр в сборе	Size:mm	300*300*470	Weight:kg	18	NO.	<b>NO.A46-24</b>
Part No.	DZ91259190042																														
CH part name	油浴式空滤器																														
EN part name	Desert air filter																														
RU part name	пустыня воздушный фильтр																														
Size:mm																															
Weight:kg	31.5																														
NO.	<b>NO.46-30</b>																														
Part No.	81.08400.6005																														
CH part name	空滤器总成																														
EN part name	Air filter assy.																														
RU part name	Воздушный фильтр в сборе																														
Size:mm	300*300*470																														
Weight:kg	18																														
NO.	<b>NO.A46-24</b>																														
Remarks:SHACMAN F3000		Remarks:SHACMAN F3000 F2000																													

# SHACMAN(1)

	<table border="1"> <tr><td>Part No.</td><td>SZ919000894L</td></tr> <tr><td>CH part name</td><td>油浴式滤芯2841PU</td></tr> <tr><td>EN part name</td><td>Air filter element</td></tr> <tr><td>RU part name</td><td>Воздушный фильтр</td></tr> <tr><td>Size:mm</td><td>280*280*410</td></tr> <tr><td>Weight:kg</td><td>3.5</td></tr> <tr><td>NO.</td><td><b>NO.46-30</b></td></tr> </table>	Part No.	SZ919000894L	CH part name	油浴式滤芯2841PU	EN part name	Air filter element	RU part name	Воздушный фильтр	Size:mm	280*280*410	Weight:kg	3.5	NO.	<b>NO.46-30</b>		<table border="1"> <tr><td>Part No.</td><td>DZ9112190336</td></tr> <tr><td>CH part name</td><td>空滤器出口波纹管</td></tr> <tr><td>EN part name</td><td>Screw pipe</td></tr> <tr><td>RU part name</td><td>сильфон</td></tr> <tr><td>Size:mm</td><td>120*200*200</td></tr> <tr><td>Weight:kg</td><td>0.23</td></tr> <tr><td>NO.</td><td><b>NO.A46-31</b></td></tr> </table>	Part No.	DZ9112190336	CH part name	空滤器出口波纹管	EN part name	Screw pipe	RU part name	сильфон	Size:mm	120*200*200	Weight:kg	0.23	NO.	<b>NO.A46-31</b>
Part No.	SZ919000894L																														
CH part name	油浴式滤芯2841PU																														
EN part name	Air filter element																														
RU part name	Воздушный фильтр																														
Size:mm	280*280*410																														
Weight:kg	3.5																														
NO.	<b>NO.46-30</b>																														
Part No.	DZ9112190336																														
CH part name	空滤器出口波纹管																														
EN part name	Screw pipe																														
RU part name	сильфон																														
Size:mm	120*200*200																														
Weight:kg	0.23																														
NO.	<b>NO.A46-31</b>																														
Remarks:SHACMAN F3000 DZ91259190042X		Remarks:SHACMAN F3000																													
	<table border="1"> <tr><td>Part No.</td><td>DZ9118190230X</td></tr> <tr><td>CH part name</td><td>空气滤芯K3250</td></tr> <tr><td>EN part name</td><td>Air filter element</td></tr> <tr><td>RU part name</td><td>Воздушный фильтр</td></tr> <tr><td>Size:mm</td><td>320*320*500</td></tr> <tr><td>Weight:kg</td><td>4.5</td></tr> <tr><td>NO.</td><td><b>NO.A46-24</b></td></tr> </table>	Part No.	DZ9118190230X	CH part name	空气滤芯K3250	EN part name	Air filter element	RU part name	Воздушный фильтр	Size:mm	320*320*500	Weight:kg	4.5	NO.	<b>NO.A46-24</b>		<table border="1"> <tr><td>Part No.</td><td>DZ9112190326</td></tr> <tr><td>CH part name</td><td>波纹管</td></tr> <tr><td>EN part name</td><td>Screw pipe</td></tr> <tr><td>RU part name</td><td>сильфон</td></tr> <tr><td>Size:mm</td><td>132*132*120</td></tr> <tr><td>Weight:kg</td><td>0.2</td></tr> <tr><td>NO.</td><td><b>NO.A46-31</b></td></tr> </table>	Part No.	DZ9112190326	CH part name	波纹管	EN part name	Screw pipe	RU part name	сильфон	Size:mm	132*132*120	Weight:kg	0.2	NO.	<b>NO.A46-31</b>
Part No.	DZ9118190230X																														
CH part name	空气滤芯K3250																														
EN part name	Air filter element																														
RU part name	Воздушный фильтр																														
Size:mm	320*320*500																														
Weight:kg	4.5																														
NO.	<b>NO.A46-24</b>																														
Part No.	DZ9112190326																														
CH part name	波纹管																														
EN part name	Screw pipe																														
RU part name	сильфон																														
Size:mm	132*132*120																														
Weight:kg	0.2																														
NO.	<b>NO.A46-31</b>																														
Remarks: SHACMAN F3000 F2000		Remarks: SHACMAN F3000																													
	<table border="1"> <tr><td>Part No.</td><td>81.08400.6005X</td></tr> <tr><td>CH part name</td><td>空气滤芯K3047</td></tr> <tr><td>EN part name</td><td>Air filter element</td></tr> <tr><td>RU part name</td><td>Воздушный фильтр</td></tr> <tr><td>Size:mm</td><td>300*300*470</td></tr> <tr><td>Weight:kg</td><td>4.1</td></tr> <tr><td>NO.</td><td><b>NO.A46-24</b></td></tr> </table>	Part No.	81.08400.6005X	CH part name	空气滤芯K3047	EN part name	Air filter element	RU part name	Воздушный фильтр	Size:mm	300*300*470	Weight:kg	4.1	NO.	<b>NO.A46-24</b>		<table border="1"> <tr><td>Part No.</td><td>DZ93259190111</td></tr> <tr><td>CH part name</td><td>空滤器接管</td></tr> <tr><td>EN part name</td><td>Air intake pipe connector</td></tr> <tr><td>RU part name</td><td>Впускной разъем</td></tr> <tr><td>Size:mm</td><td></td></tr> <tr><td>Weight:kg</td><td>1.5</td></tr> <tr><td>NO.</td><td><b>NO.A46-22</b></td></tr> </table>	Part No.	DZ93259190111	CH part name	空滤器接管	EN part name	Air intake pipe connector	RU part name	Впускной разъем	Size:mm		Weight:kg	1.5	NO.	<b>NO.A46-22</b>
Part No.	81.08400.6005X																														
CH part name	空气滤芯K3047																														
EN part name	Air filter element																														
RU part name	Воздушный фильтр																														
Size:mm	300*300*470																														
Weight:kg	4.1																														
NO.	<b>NO.A46-24</b>																														
Part No.	DZ93259190111																														
CH part name	空滤器接管																														
EN part name	Air intake pipe connector																														
RU part name	Впускной разъем																														
Size:mm																															
Weight:kg	1.5																														
NO.	<b>NO.A46-22</b>																														
Remarks: SHACMAN F3000 F2000		Remarks: SHACMAN F3000 F2000 DZ95259190887																													
	<table border="1"> <tr><td>Part No.</td><td>DZ9112190328X</td></tr> <tr><td>CH part name</td><td>空滤器芯</td></tr> <tr><td>EN part name</td><td>Air filter element</td></tr> <tr><td>RU part name</td><td>Воздушный фильтр</td></tr> <tr><td>Size:mm</td><td>300*300*515</td></tr> <tr><td>Weight:kg</td><td>4.15</td></tr> <tr><td>NO.</td><td><b>NO.A46-24</b></td></tr> </table>	Part No.	DZ9112190328X	CH part name	空滤器芯	EN part name	Air filter element	RU part name	Воздушный фильтр	Size:mm	300*300*515	Weight:kg	4.15	NO.	<b>NO.A46-24</b>		<table border="1"> <tr><td>Part No.</td><td>199112190714</td></tr> <tr><td>CH part name</td><td>空滤器防尘阀</td></tr> <tr><td>EN part name</td><td>Dust removing valve</td></tr> <tr><td>RU part name</td><td>клапан воздушный фильтр пыли</td></tr> <tr><td>Size:mm</td><td>130*75*60</td></tr> <tr><td>Weight:kg</td><td>0.01</td></tr> <tr><td>NO.</td><td><b>NO.A46-24</b></td></tr> </table>	Part No.	199112190714	CH part name	空滤器防尘阀	EN part name	Dust removing valve	RU part name	клапан воздушный фильтр пыли	Size:mm	130*75*60	Weight:kg	0.01	NO.	<b>NO.A46-24</b>
Part No.	DZ9112190328X																														
CH part name	空滤器芯																														
EN part name	Air filter element																														
RU part name	Воздушный фильтр																														
Size:mm	300*300*515																														
Weight:kg	4.15																														
NO.	<b>NO.A46-24</b>																														
Part No.	199112190714																														
CH part name	空滤器防尘阀																														
EN part name	Dust removing valve																														
RU part name	клапан воздушный фильтр пыли																														
Size:mm	130*75*60																														
Weight:kg	0.01																														
NO.	<b>NO.A46-24</b>																														
Remarks: SHACMAN F3000 F2000		Remarks:SHACMAN F3000 F2000																													

# SHACMAN(1)

KD0792			KD0793		
	Part No.	DZ9112540201		Part No.	SZ954001150
	CH part name	消声器		CH part name	消声器
	EN part name	Muffler		EN part name	Muffler
	RU part name	глушитель		RU part name	глушитель
	Size:mm			Size:mm	
	Weight:kg	32		Weight:kg	32.5
	NO.	<b>NO.47-11</b>		NO.	<b>NO.47-11</b>
Remarks: SHACMAN F3000 81.15101.0316			Remarks: SHACMAN F3000 F2000		
KD0794			KD0795		
	Part No.	199112540010		Part No.	DZ91259540008
	CH part name	消声器		CH part name	消声器
	EN part name	Muffler		EN part name	Muffler
	RU part name	Грушитель		RU part name	Грушитель
	Size:mm	1280*360*260		Size:mm	405*355*580
	Weight:kg	14.5		Weight:kg	32.9
	NO.	<b>NO.A47-26</b>		NO.	<b>NO.47-11</b>
Remarks: SHACMAN F3000 F2000			Remarks: SHACMAN F3000 新M3000		
KD0796			KD0797		
	Part No.	DZ9100540009		Part No.	DZ9100540007
	CH part name	消声器		CH part name	消声器
	EN part name	Muffler		EN part name	Muffler
	RU part name	Грушитель		RU part name	Грушитель
	Size:mm	1280*260*260		Size:mm	1280*360*260
	Weight:kg	14.15		Weight:kg	14.5
	NO.	<b>NO.A47-26</b>		NO.	<b>NO.A47-26</b>
Remarks:SHACMAN F3000 F2000			Remarks:SHACMAN F3000 F2000 DZ9100540004 DZ9100540003		
KD0798			KD0799		
	Part No.	DZ9100540005		Part No.	DZ9114540350
	CH part name	消声器		CH part name	消声器
	EN part name	Muffler		EN part name	Muffler
	RU part name	Грушитель		RU part name	Грушитель
	Size:mm	1280*260*260		Size:mm	1280*360*260
	Weight:kg	14.2		Weight:kg	15
	NO.	<b>NO.A47-26</b>		NO.	<b>NO.A47-26</b>
Remarks:SHACMAN F3000 F2000			Remarks:SHACMAN F3000 F2000		

# SHACMAN(1)


EXHAUSTING AND MUFFLER		NO.47	EXHAUSTING AND MUFFLER		NO.A47
KD0800			KD0801		
	Part No.	DZ95259540738		Part No.	DZ9112540180
	CH part name	挠性软管		CH part name	挠性软管
	EN part name	Corrugated pipe		EN part name	Corrugated pipe
	RU part name	Гофра		RU part name	Гофра
	Size:mm	210*150		Size:mm	330*140*140
	Weight:kg	2.3		Weight:kg	3.5
	NO.	<b>NO.47-7</b>		NO.	<b>NO.A47-5</b>
Remarks: SHACMAN F3000			Remarks: SHACMAN F2000 DZ9118540130 6*4 8*4		
KD0802			KD0803		
	Part No.	DZ95259540008		Part No.	DZ95259540020
	CH part name	挠性软管		CH part name	挠性软管
	EN part name	Corrugated pipe		EN part name	Corrugated pipe
	RU part name	Гофра		RU part name	Гофра
	Size:mm	330*140*140		Size:mm	150*150*370
	Weight:kg	3.25		Weight:kg	4.05
	NO.	<b>NO.47-7</b>		NO.	<b>NO.A47-5</b>
Remarks: SHACMAN F3000 6*4 DZ95259540009 DZ9112540018			Remarks: SHACMAN F3000		



# SHACMAN(1)

	Part No. CH part name EN part name RU part name Size:mm Weight:kg NO.	KD0804  DZ93259540361 挠性软管 Corrugated pipe Гофра 3.75 <b>NO.47-7</b>		Part No. CH part name EN part name RU part name Size:mm Weight:kg NO.	KD0805  DZ95259540017 挠性软管 Corrugated pipe Гофра 330*140*140 3.5 <b>NO.47-7</b>
Remarks:SHACMAN F3000			Remarks:SHACMAN F3000 6*4 8*4		
	Part No. CH part name EN part name RU part name Size:mm Weight:kg NO.	KD0806  DZ93259540018 挠性软管 Corrugated pipe Гофра 370*130*130 2.3 <b>NO.47-7</b>		Part No. CH part name EN part name RU part name Size:mm Weight:kg NO.	KD0807  DZ95319540008 挠性软管 Corrugated pipe Гофра 3.95 <b>NO.47-7</b>
Remarks:SHACMAN F3000 6*4			Remarks:SHACMAN F3000 8*4		
	Part No. CH part name EN part name RU part name Size:mm Weight:kg NO.	KD0808  AZ9112540147 挠性软管 Corrugated pipe Гофра 200*140*140 3.5 <b>NO.A47-5</b>		Part No. CH part name EN part name RU part name Size:mm Weight:kg NO.	KD0809  DZ93259540070 排气管总成 Exhaust pipe Assembly Выпускной коллектор 2.3 <b>NO.A47-2</b>
Remarks: SHACMAN F2000			Remarks: SHACMAN F3000 6*4		
	Part No. CH part name EN part name RU part name Size:mm Weight:kg NO.	KD0810  DZ9112540918 排气管总成 Exhaust pipe Assembly Выпускной коллектор 2.1 <b>NO.A47-2</b>		Part No. CH part name EN part name RU part name Size:mm Weight:kg NO.	KD0811  DZ9112540893 排气管总成 Exhaust pipe Assembly Выпускной коллектор 2.1 <b>NO.A47-2</b>
Remarks:SHACMAN F3000 WP10 6*2			Remarks:SHACMAN F3000 6*4 6*2		

# SHACMAN(1)

KD0812			KD0813		
	Part No.	DZ9112540780		Part No.	DZ9112540813
	CH part name	排气管总成		CH part name	排气管-1
	EN part name	Exhasting pipe assembly		EN part name	Exhaust pipe
	RU part name	Выпускной коллектор		RU part name	Впускной коллектор
	Size:mm			Size:mm	650*150*180
	Weight:kg	4		Weight:kg	3.8
	NO.	<b>NO.A47-27</b>		NO.	A21-3
Remarks: SHACMAN F2000			Remarks:SHACMAN F2000 F3000		
KD0814			KD0815		
	Part No.	DZ9112541002		Part No.	DZ9112540760
	CH part name	Φ120排气管总成 (二)		CH part name	排气管-2
	EN part name	Exhaust pipe Assembly		EN part name	Exhaust pipe
	RU part name	Выпускной коллектор		RU part name	Впускной коллектор
	Size:mm	120*120*900		Size:mm	650*150*180
	Weight:kg	6.4		Weight:kg	3.5
	NO.	<b>NO.A47-7</b>		NO.	<b>NO.A47-7</b>
Remarks: SHACMAN F2000			Remarks:SHACMAN F2000 F3000		
KD0816			KD0817		
	Part No.	199112540040		Part No.	DZ9112540161
	CH part name	排气管		CH part name	排气管
	EN part name	Exhaust pipe		EN part name	Exhaust pipe
	RU part name	Выпускной коллектор		RU part name	Выпускной коллектор
	Size:mm	520*100*100		Size:mm	650*155*100
	Weight:kg	1.8		Weight:kg	4.5
	NO.	<b>NO.A47-27</b>		NO.	<b>NO.A47-3-7</b>
Remarks:SHACMAN F2000 199112540040			Remarks:SHACMAN F2000 F3000		
KD0818			KD0819		
	Part No.	DZ9118540053		Part No.	DZ9114549301
	CH part name	排气管-1		CH part name	排气管-1
	EN part name	Exhaust pipe		EN part name	Exhaust pipe
	RU part name	Выпускной коллектор		RU part name	Выпускной коллектор
	Size:mm	450*120*100		Size:mm	520*230*120
	Weight:kg	1.89		Weight:kg	2.4
	NO.	<b>NO.A47-3</b>		NO.	<b>NO.A47-3</b>
Remarks:SHACMAN			Remarks:SHACMAN		









# SHACMAN(1)

EXHAUSTING AND MUFFLER		NO.B47															
	KD0820																
			<table border="1"> <tr><td>Part No.</td><td>DZ9114540061</td></tr> <tr><td>CH part name</td><td>消声器卡箍</td></tr> <tr><td>EN part name</td><td>Нoop</td></tr> <tr><td>RU part name</td><td>Хомут глушителя</td></tr> <tr><td>Size:mm</td><td>280*180*35</td></tr> <tr><td>Weight:kg</td><td>0.12</td></tr> <tr><td>NO.</td><td><b>NO.A47-24</b></td></tr> </table>	Part No.	DZ9114540061	CH part name	消声器卡箍	EN part name	Нoop	RU part name	Хомут глушителя	Size:mm	280*180*35	Weight:kg	0.12	NO.	<b>NO.A47-24</b>
	Part No.	DZ9114540061															
	CH part name	消声器卡箍															
	EN part name	Нoop															
	RU part name	Хомут глушителя															
	Size:mm	280*180*35															
	Weight:kg	0.12															
	NO.	<b>NO.A47-24</b>															
	Remarks:SHACMAN F2000 F3000 DZ9114540130																
KD0821																	
		<table border="1"> <tr><td>Part No.</td><td>DZ9112540016</td></tr> <tr><td>CH part name</td><td>密封垫</td></tr> <tr><td>EN part name</td><td>Sealing mat</td></tr> <tr><td>RU part name</td><td>герметизация мат</td></tr> <tr><td>Size:mm</td><td></td></tr> <tr><td>Weight:kg</td><td>0.02</td></tr> <tr><td>NO.</td><td><b>NO.B47-25</b></td></tr> </table>	Part No.	DZ9112540016	CH part name	密封垫	EN part name	Sealing mat	RU part name	герметизация мат	Size:mm		Weight:kg	0.02	NO.	<b>NO.B47-25</b>	
Part No.	DZ9112540016																
CH part name	密封垫																
EN part name	Sealing mat																
RU part name	герметизация мат																
Size:mm																	
Weight:kg	0.02																
NO.	<b>NO.B47-25</b>																
Remarks: SHACMAN F2000 F3000																	
KD0822		KD0823															
	Part No.	DZ95319540070	<table border="1"> <tr><td>Part No.</td><td>DZ95319540060</td></tr> <tr><td>CH part name</td><td>排气管总成</td></tr> <tr><td>EN part name</td><td>Exhaust pipe Assembly</td></tr> <tr><td>RU part name</td><td>Выпускной коллектор</td></tr> <tr><td>Size:mm</td><td></td></tr> <tr><td>Weight:kg</td><td>5.2</td></tr> <tr><td>NO.</td><td><b>NO.B47-22</b></td></tr> </table>	Part No.	DZ95319540060	CH part name	排气管总成	EN part name	Exhaust pipe Assembly	RU part name	Выпускной коллектор	Size:mm		Weight:kg	5.2	NO.	<b>NO.B47-22</b>
	Part No.	DZ95319540060															
	CH part name	排气管总成															
	EN part name	Exhaust pipe Assembly															
	RU part name	Выпускной коллектор															
	Size:mm																
	Weight:kg	5.2															
NO.	<b>NO.B47-22</b>																
CH part name	排气管总成																
EN part name	Exhaust pipe Assembly																
RU part name	Выпускной коллектор																
Size:mm																	
Weight:kg	4.5																
NO.	<b>NO.B47-21</b>																
Remarks: SHACMAN WP10 F300 8*4		Remarks: SHACMAN WP10 F300 8*4															
KD0824		KD0825															
	Part No.	DZ9112541001	<table border="1"> <tr><td>Part No.</td><td>DZ9114545006</td></tr> <tr><td>CH part name</td><td>Φ120排气管总成1</td></tr> <tr><td>EN part name</td><td>Exhaust pipe Assembly</td></tr> <tr><td>RU part name</td><td>Выпускной коллектор</td></tr> <tr><td>Size:mm</td><td>140*140*860</td></tr> <tr><td>Weight:kg</td><td>6.5</td></tr> <tr><td>NO.</td><td><b>NO.B47-23</b></td></tr> </table>	Part No.	DZ9114545006	CH part name	Φ120排气管总成1	EN part name	Exhaust pipe Assembly	RU part name	Выпускной коллектор	Size:mm	140*140*860	Weight:kg	6.5	NO.	<b>NO.B47-23</b>
	Part No.	DZ9114545006															
	CH part name	Φ120排气管总成1															
	EN part name	Exhaust pipe Assembly															
	RU part name	Выпускной коллектор															
	Size:mm	140*140*860															
	Weight:kg	6.5															
NO.	<b>NO.B47-23</b>																
CH part name	Φ120排气管总成1																
EN part name	Exhaust pipe Assembly																
RU part name	Выпускной коллектор																
Size:mm	140*140*860																
Weight:kg	6.5																
NO.	<b>NO.B47-23</b>																
Remarks: SHACMAN F2000		Remarks: SHACMAN F2000															

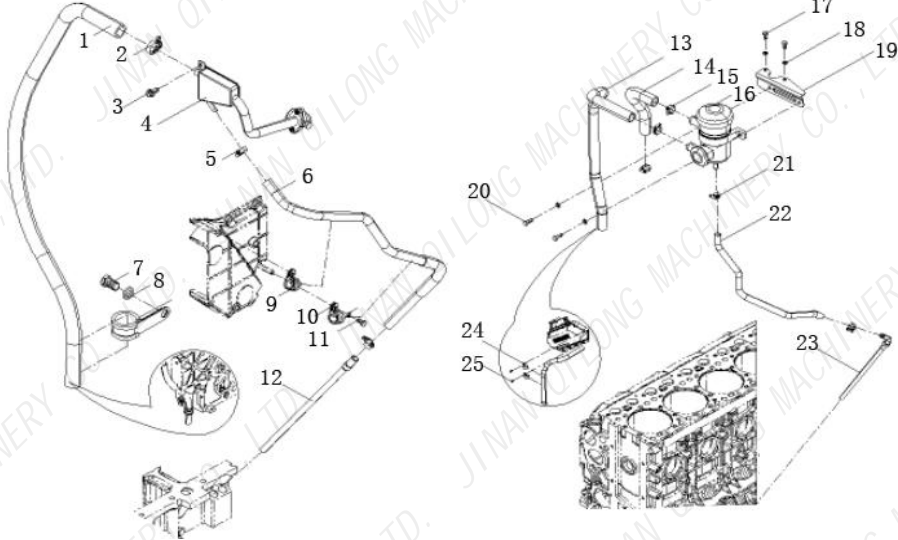

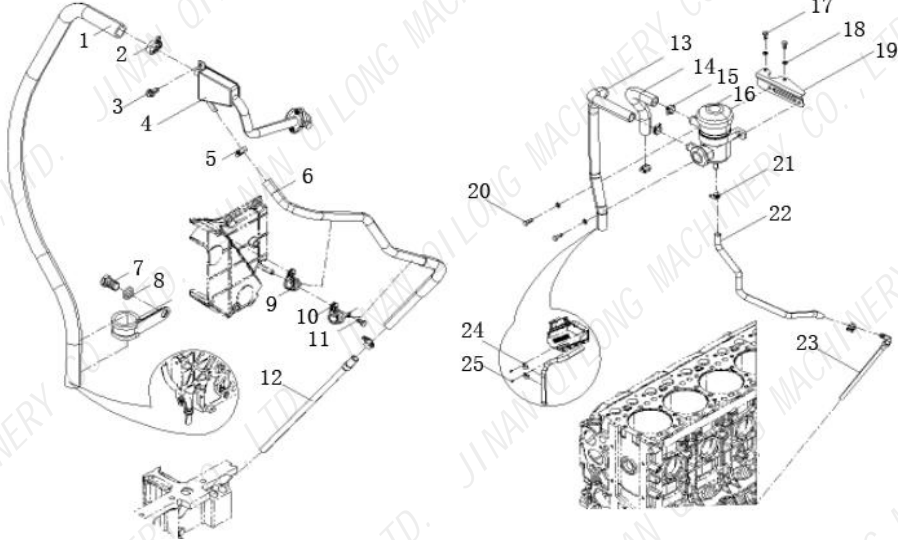




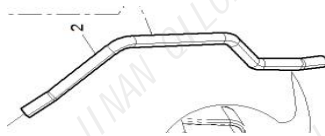
# SHACMAN(1)

	<table border="1"> <tr><td>Part No.</td><td>DZ95259540031</td></tr> <tr><td>CH part name</td><td>排气管总成</td></tr> <tr><td>EN part name</td><td>Exhaust pipe Assembly</td></tr> <tr><td>RU part name</td><td>Выпускной коллектор</td></tr> <tr><td>Size:mm</td><td></td></tr> <tr><td>Weight:kg</td><td>4.6</td></tr> <tr><td>NO.</td><td><b>NO.B47-1</b></td></tr> </table>	Part No.	DZ95259540031	CH part name	排气管总成	EN part name	Exhaust pipe Assembly	RU part name	Выпускной коллектор	Size:mm		Weight:kg	4.6	NO.	<b>NO.B47-1</b>		<table border="1"> <tr><td>Part No.</td><td>DZ95259540040</td></tr> <tr><td>CH part name</td><td>排气管总成</td></tr> <tr><td>EN part name</td><td>Exhaust pipe Assembly</td></tr> <tr><td>RU part name</td><td>Выпускной коллектор</td></tr> <tr><td>Size:mm</td><td></td></tr> <tr><td>Weight:kg</td><td>5.8</td></tr> <tr><td>NO.</td><td><b>NO.B47-19</b></td></tr> </table>	Part No.	DZ95259540040	CH part name	排气管总成	EN part name	Exhaust pipe Assembly	RU part name	Выпускной коллектор	Size:mm		Weight:kg	5.8	NO.	<b>NO.B47-19</b>
Part No.	DZ95259540031																														
CH part name	排气管总成																														
EN part name	Exhaust pipe Assembly																														
RU part name	Выпускной коллектор																														
Size:mm																															
Weight:kg	4.6																														
NO.	<b>NO.B47-1</b>																														
Part No.	DZ95259540040																														
CH part name	排气管总成																														
EN part name	Exhaust pipe Assembly																														
RU part name	Выпускной коллектор																														
Size:mm																															
Weight:kg	5.8																														
NO.	<b>NO.B47-19</b>																														
Remarks: SHACMAN ISM F300 6*4		Remarks: SHACMAN ISM F300 6*4																													
	<table border="1"> <tr><td>Part No.</td><td>DZ9112540017</td></tr> <tr><td>CH part name</td><td>排气管密封垫</td></tr> <tr><td>EN part name</td><td>Sealing mat</td></tr> <tr><td>RU part name</td><td>герметизация мат</td></tr> <tr><td>Size:mm</td><td>149*127*0.4</td></tr> <tr><td>Weight:kg</td><td>0.04</td></tr> <tr><td>NO.</td><td><b>NO.B47-13</b></td></tr> </table>	Part No.	DZ9112540017	CH part name	排气管密封垫	EN part name	Sealing mat	RU part name	герметизация мат	Size:mm	149*127*0.4	Weight:kg	0.04	NO.	<b>NO.B47-13</b>		<table border="1"> <tr><td>Part No.</td><td>DZ9112540001</td></tr> <tr><td>CH part name</td><td>消声器卡箍</td></tr> <tr><td>EN part name</td><td>Hoop</td></tr> <tr><td>RU part name</td><td>Хомут глушителя</td></tr> <tr><td>Size:mm</td><td>550*260*35</td></tr> <tr><td>Weight:kg</td><td>0.12</td></tr> <tr><td>NO.</td><td><b>NO.B47-12</b></td></tr> </table>	Part No.	DZ9112540001	CH part name	消声器卡箍	EN part name	Hoop	RU part name	Хомут глушителя	Size:mm	550*260*35	Weight:kg	0.12	NO.	<b>NO.B47-12</b>
Part No.	DZ9112540017																														
CH part name	排气管密封垫																														
EN part name	Sealing mat																														
RU part name	герметизация мат																														
Size:mm	149*127*0.4																														
Weight:kg	0.04																														
NO.	<b>NO.B47-13</b>																														
Part No.	DZ9112540001																														
CH part name	消声器卡箍																														
EN part name	Hoop																														
RU part name	Хомут глушителя																														
Size:mm	550*260*35																														
Weight:kg	0.12																														
NO.	<b>NO.B47-12</b>																														
Remarks: SHACMAN F2000 F3000 DZ95259540029		Remarks: SHACMAN F3000 新M3000 DZ9114540130 DZ95319540051																													
	<table border="1"> <tr><td>Part No.</td><td>DZ9118540313</td></tr> <tr><td>CH part name</td><td>排气管卡箍</td></tr> <tr><td>EN part name</td><td>Hoop</td></tr> <tr><td>RU part name</td><td>Хомут глушителя</td></tr> <tr><td>Size:mm</td><td>550*260*35</td></tr> <tr><td>Weight:kg</td><td>0.32</td></tr> <tr><td>NO.</td><td><b>NO.B47-2-3</b></td></tr> </table>	Part No.	DZ9118540313	CH part name	排气管卡箍	EN part name	Hoop	RU part name	Хомут глушителя	Size:mm	550*260*35	Weight:kg	0.32	NO.	<b>NO.B47-2-3</b>		<table border="1"> <tr><td>Part No.</td><td>DZ9112540895</td></tr> <tr><td>CH part name</td><td>排气管总成 (二)</td></tr> <tr><td>EN part name</td><td>Exhaust pipe Assembly</td></tr> <tr><td>RU part name</td><td>Выпускной коллектор</td></tr> <tr><td>Size:mm</td><td></td></tr> <tr><td>Weight:kg</td><td>1.86</td></tr> <tr><td>NO.</td><td><b>NO.B47-19</b></td></tr> </table>	Part No.	DZ9112540895	CH part name	排气管总成 (二)	EN part name	Exhaust pipe Assembly	RU part name	Выпускной коллектор	Size:mm		Weight:kg	1.86	NO.	<b>NO.B47-19</b>
Part No.	DZ9118540313																														
CH part name	排气管卡箍																														
EN part name	Hoop																														
RU part name	Хомут глушителя																														
Size:mm	550*260*35																														
Weight:kg	0.32																														
NO.	<b>NO.B47-2-3</b>																														
Part No.	DZ9112540895																														
CH part name	排气管总成 (二)																														
EN part name	Exhaust pipe Assembly																														
RU part name	Выпускной коллектор																														
Size:mm																															
Weight:kg	1.86																														
NO.	<b>NO.B47-19</b>																														
Remarks: SHACMAN ISM F2000 F3000 DZ9118540319		Remarks: SHACMAN ISM F3000																													
	<table border="1"> <tr><td>Part No.</td><td>DZ9100189009</td></tr> <tr><td>CH part name</td><td>发动机排气制动器总成</td></tr> <tr><td>EN part name</td><td>Engine exhaust brake valve</td></tr> <tr><td>RU part name</td><td>Тормоз горный-вспомогат.торм.системы</td></tr> <tr><td>Size:mm</td><td>300*240*155</td></tr> <tr><td>Weight:kg</td><td>4.93</td></tr> <tr><td>NO.</td><td><b>NO.B47-24</b></td></tr> </table>	Part No.	DZ9100189009	CH part name	发动机排气制动器总成	EN part name	Engine exhaust brake valve	RU part name	Тормоз горный-вспомогат.торм.системы	Size:mm	300*240*155	Weight:kg	4.93	NO.	<b>NO.B47-24</b>		<table border="1"> <tr><td>Part No.</td><td>DZ9100189018</td></tr> <tr><td>CH part name</td><td>发动机排气制动器总成</td></tr> <tr><td>EN part name</td><td>Engine exhaust brake valve</td></tr> <tr><td>RU part name</td><td>Тормоз горный-вспомогат.торм.системы</td></tr> <tr><td>Size:mm</td><td>300*240*155</td></tr> <tr><td>Weight:kg</td><td>5.5</td></tr> <tr><td>NO.</td><td><b>NO.B47-24</b></td></tr> </table>	Part No.	DZ9100189018	CH part name	发动机排气制动器总成	EN part name	Engine exhaust brake valve	RU part name	Тормоз горный-вспомогат.торм.системы	Size:mm	300*240*155	Weight:kg	5.5	NO.	<b>NO.B47-24</b>
Part No.	DZ9100189009																														
CH part name	发动机排气制动器总成																														
EN part name	Engine exhaust brake valve																														
RU part name	Тормоз горный-вспомогат.торм.системы																														
Size:mm	300*240*155																														
Weight:kg	4.93																														
NO.	<b>NO.B47-24</b>																														
Part No.	DZ9100189018																														
CH part name	发动机排气制动器总成																														
EN part name	Engine exhaust brake valve																														
RU part name	Тормоз горный-вспомогат.торм.системы																														
Size:mm	300*240*155																														
Weight:kg	5.5																														
NO.	<b>NO.B47-24</b>																														
Remarks: SHACMAN F2000 F3000 DZ91189180003 DZ91189180008		Remarks: SHACMAN F2000 F3000 新M3000 DZ9100189017																													

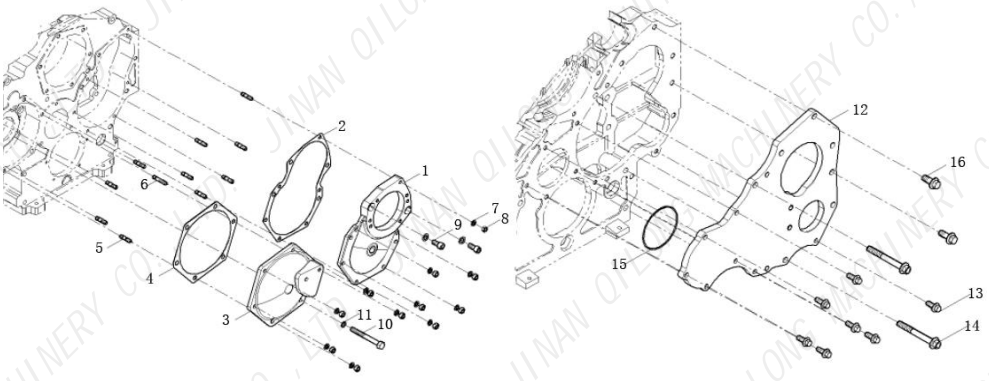






# SHACMAN(1)

	<p>Part No. 612640120061</p> <p>CH part name 油路连接胶管</p> <p>EN part name Oil connection hose</p> <p>RU part name Масляный шланг</p> <p>Size:mm</p> <p>Weight:kg</p> <p>NO. <b>NO.6-1</b></p>		<p>Part No. 612600012938</p> <p>CH part name 油路连接胶管</p> <p>EN part name Oil connection hose</p> <p>RU part name Масляный шланг</p> <p>Size:mm</p> <p>Weight:kg</p> <p>NO. <b>NO.6-6</b></p>
Remarks: weichai WP10		Remarks: weichai WD618 WD12	
	<p>Part No. 612600011974</p> <p>CH part name 油路连接胶管</p> <p>EN part name Oil connection hose</p> <p>RU part name Масляный шланг</p> <p>Size:mm</p> <p>Weight:kg</p> <p>NO. <b>NO.6-1</b></p>		<p>Part No. 612600012595</p> <p>CH part name 管接头</p> <p>EN part name Pipe fittings</p> <p>RU part name Трубная арматура</p> <p>Size:mm</p> <p>Weight:kg 0.2</p> <p>NO. <b>NO.6-12</b></p>
Remarks: weichai WD618 WD12		Remarks: weichai WD615	
	<p>Part No. 612630060015</p> <p>CH part name 油气分离器</p> <p>EN part name Oil separator</p> <p>RU part name масляный сепаратор</p> <p>Size:mm</p> <p>Weight:kg 0.3</p> <p>NO. <b>NO.6-16</b></p>		<p>Part No. 612630061025</p> <p>CH part name 油路连接胶管</p> <p>EN part name Oil connection hose</p> <p>RU part name Масляный шланг</p> <p>Size:mm</p> <p>Weight:kg</p> <p>NO. <b>NO.6-13</b></p>
Remarks: weichai WP12		Remarks: weichai WP12	
	<p>Part No. 612630061000</p> <p>CH part name 油路连接胶管</p> <p>EN part name Oil connection hose</p> <p>RU part name Масляный шланг</p> <p>Size:mm</p> <p>Weight:kg</p> <p>NO. <b>NO.6-22</b></p>		<p>Part No. 612630060595</p> <p>CH part name 橡胶软管(油水分离器)</p> <p>EN part name Rubber hose</p> <p>RU part name Резиновый шланг</p> <p>Size:mm</p> <p>Weight:kg 0.11</p> <p>NO. <b>NO.6-14</b></p>
Remarks: weichai WP12		Remarks: weichai WP12	

# SHACMAN(1)

Body/Oil separator combination group		NO.6																													
		KD0088																													
			<table border="1"> <tr><td>Part No.</td><td>612600012525</td></tr> <tr><td>CH part name</td><td>油路连接胶管</td></tr> <tr><td>EN part name</td><td>Oil connection hose</td></tr> <tr><td>RU part name</td><td>Масляный шланг</td></tr> <tr><td>Size:mm</td><td></td></tr> <tr><td>Weight:kg</td><td>0.12</td></tr> <tr><td>NO.</td><td><b>NO.6-1</b></td></tr> </table>	Part No.	612600012525	CH part name	油路连接胶管	EN part name	Oil connection hose	RU part name	Масляный шланг	Size:mm		Weight:kg	0.12	NO.	<b>NO.6-1</b>														
Part No.	612600012525																														
CH part name	油路连接胶管																														
EN part name	Oil connection hose																														
RU part name	Масляный шланг																														
Size:mm																															
Weight:kg	0.12																														
NO.	<b>NO.6-1</b>																														
Remarks: weichai WD615 WP10E32																															
		KD0089																													
			<table border="1"> <tr><td>Part No.</td><td>612600010267</td></tr> <tr><td>CH part name</td><td>油气分离器组件</td></tr> <tr><td>EN part name</td><td>Oil separator</td></tr> <tr><td>RU part name</td><td>масляный сепаратор</td></tr> <tr><td>Size:mm</td><td>120*120*300</td></tr> <tr><td>Weight:kg</td><td>0.7</td></tr> <tr><td>NO.</td><td><b>NO.6-4</b></td></tr> </table>	Part No.	612600010267	CH part name	油气分离器组件	EN part name	Oil separator	RU part name	масляный сепаратор	Size:mm	120*120*300	Weight:kg	0.7	NO.	<b>NO.6-4</b>														
Part No.	612600010267																														
CH part name	油气分离器组件																														
EN part name	Oil separator																														
RU part name	масляный сепаратор																														
Size:mm	120*120*300																														
Weight:kg	0.7																														
NO.	<b>NO.6-4</b>																														
Remarks: weichai WD615																															
KD0090		KD0091																													
	<table border="1"> <tr><td>Part No.</td><td>612600014442</td></tr> <tr><td>CH part name</td><td>油气分离器组件</td></tr> <tr><td>EN part name</td><td>Oil separator</td></tr> <tr><td>RU part name</td><td>масляный сепаратор</td></tr> <tr><td>Size:mm</td><td></td></tr> <tr><td>Weight:kg</td><td>0.75</td></tr> <tr><td>NO.</td><td><b>NO.6-4</b></td></tr> </table>	Part No.	612600014442	CH part name	油气分离器组件	EN part name	Oil separator	RU part name	масляный сепаратор	Size:mm		Weight:kg	0.75	NO.	<b>NO.6-4</b>		<table border="1"> <tr><td>Part No.</td><td>612600013660</td></tr> <tr><td>CH part name</td><td>油气分离器组件</td></tr> <tr><td>EN part name</td><td>Oil separator</td></tr> <tr><td>RU part name</td><td>масляный сепаратор</td></tr> <tr><td>Size:mm</td><td></td></tr> <tr><td>Weight:kg</td><td>0.65</td></tr> <tr><td>NO.</td><td><b>NO.6-4</b></td></tr> </table>	Part No.	612600013660	CH part name	油气分离器组件	EN part name	Oil separator	RU part name	масляный сепаратор	Size:mm		Weight:kg	0.65	NO.	<b>NO.6-4</b>
Part No.	612600014442																														
CH part name	油气分离器组件																														
EN part name	Oil separator																														
RU part name	масляный сепаратор																														
Size:mm																															
Weight:kg	0.75																														
NO.	<b>NO.6-4</b>																														
Part No.	612600013660																														
CH part name	油气分离器组件																														
EN part name	Oil separator																														
RU part name	масляный сепаратор																														
Size:mm																															
Weight:kg	0.65																														
NO.	<b>NO.6-4</b>																														
Remarks: weichai WP10 612640010095 612600013164		Remarks: weichai WD618 WD12																													
KD0092		KD0093																													
	<table border="1"> <tr><td>Part No.</td><td>612600012719</td></tr> <tr><td>CH part name</td><td>油路连接胶管</td></tr> <tr><td>EN part name</td><td>Oil connection hose</td></tr> <tr><td>RU part name</td><td>Масляный шланг</td></tr> <tr><td>Size:mm</td><td></td></tr> <tr><td>Weight:kg</td><td></td></tr> <tr><td>NO.</td><td><b>NO.6-6</b></td></tr> </table>	Part No.	612600012719	CH part name	油路连接胶管	EN part name	Oil connection hose	RU part name	Масляный шланг	Size:mm		Weight:kg		NO.	<b>NO.6-6</b>		<table border="1"> <tr><td>Part No.</td><td>612640010170</td></tr> <tr><td>CH part name</td><td>油路连接胶管</td></tr> <tr><td>EN part name</td><td>Oil connection hose</td></tr> <tr><td>RU part name</td><td>Масляный шланг</td></tr> <tr><td>Size:mm</td><td></td></tr> <tr><td>Weight:kg</td><td></td></tr> <tr><td>NO.</td><td><b>NO.6-6</b></td></tr> </table>	Part No.	612640010170	CH part name	油路连接胶管	EN part name	Oil connection hose	RU part name	Масляный шланг	Size:mm		Weight:kg		NO.	<b>NO.6-6</b>
Part No.	612600012719																														
CH part name	油路连接胶管																														
EN part name	Oil connection hose																														
RU part name	Масляный шланг																														
Size:mm																															
Weight:kg																															
NO.	<b>NO.6-6</b>																														
Part No.	612640010170																														
CH part name	油路连接胶管																														
EN part name	Oil connection hose																														
RU part name	Масляный шланг																														
Size:mm																															
Weight:kg																															
NO.	<b>NO.6-6</b>																														
Remarks: weichai WD615		Remarks: weichai WP10																													

# SHACMAN(1)

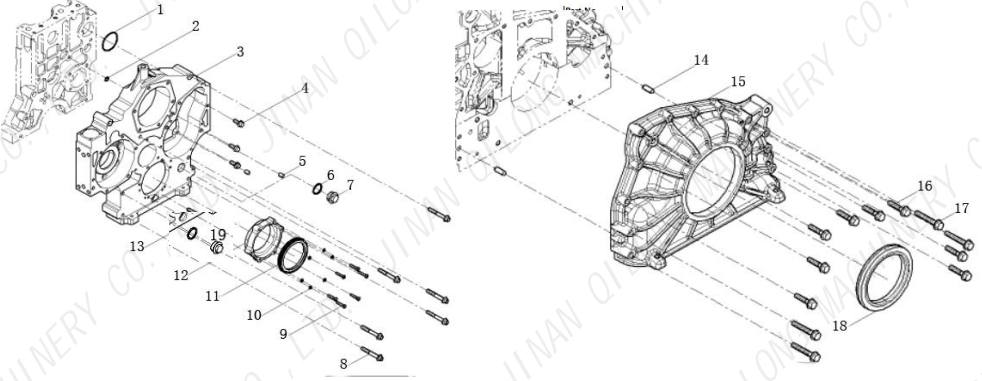






Body/End cap combination group		NO.5																													
	KD0082																														
			<table border="1"> <tr><td>Part No.</td><td>612600010830</td></tr> <tr><td>CH part name</td><td>凸轮轴齿轮盖</td></tr> <tr><td>EN part name</td><td>Camshaft gear cover gasket</td></tr> <tr><td>RU part name</td><td>Крышка шестерни привода распределительн</td></tr> <tr><td>Size:mm</td><td>270*185*20</td></tr> <tr><td>Weight:kg</td><td>1.97</td></tr> <tr><td>NO.</td><td><b>NO.5-1</b></td></tr> </table>	Part No.	612600010830	CH part name	凸轮轴齿轮盖	EN part name	Camshaft gear cover gasket	RU part name	Крышка шестерни привода распределительн	Size:mm	270*185*20	Weight:kg	1.97	NO.	<b>NO.5-1</b>														
	Part No.	612600010830																													
	CH part name	凸轮轴齿轮盖																													
	EN part name	Camshaft gear cover gasket																													
	RU part name	Крышка шестерни привода распределительн																													
	Size:mm	270*185*20																													
	Weight:kg	1.97																													
	NO.	<b>NO.5-1</b>																													
	Remarks: weichai WD615																														
KD0083																															
		<table border="1"> <tr><td>Part No.</td><td>614010070</td></tr> <tr><td>CH part name</td><td>凸轮轴齿轮盖垫片</td></tr> <tr><td>EN part name</td><td>Gasket</td></tr> <tr><td>RU part name</td><td>прокладка</td></tr> <tr><td>Size:mm</td><td>270*185*0.1</td></tr> <tr><td>Weight:kg</td><td>0.01</td></tr> <tr><td>NO.</td><td><b>NO.5-2</b></td></tr> </table>	Part No.	614010070	CH part name	凸轮轴齿轮盖垫片	EN part name	Gasket	RU part name	прокладка	Size:mm	270*185*0.1	Weight:kg	0.01	NO.	<b>NO.5-2</b>															
Part No.	614010070																														
CH part name	凸轮轴齿轮盖垫片																														
EN part name	Gasket																														
RU part name	прокладка																														
Size:mm	270*185*0.1																														
Weight:kg	0.01																														
NO.	<b>NO.5-2</b>																														
Remarks: weichai WD615																															
KD0084		KD0085																													
	<table border="1"> <tr><td>Part No.</td><td>61500010008A</td></tr> <tr><td>CH part name</td><td>空压机齿轮盖</td></tr> <tr><td>EN part name</td><td>Cover</td></tr> <tr><td>RU part name</td><td>крышка</td></tr> <tr><td>Size:mm</td><td></td></tr> <tr><td>Weight:kg</td><td>0.98</td></tr> <tr><td>NO.</td><td><b>NO.5-3</b></td></tr> </table>	Part No.	61500010008A	CH part name	空压机齿轮盖	EN part name	Cover	RU part name	крышка	Size:mm		Weight:kg	0.98	NO.	<b>NO.5-3</b>		<table border="1"> <tr><td>Part No.</td><td>614010040</td></tr> <tr><td>CH part name</td><td>空压机齿轮盖垫片</td></tr> <tr><td>EN part name</td><td>Gasket</td></tr> <tr><td>RU part name</td><td>прокладка</td></tr> <tr><td>Size:mm</td><td></td></tr> <tr><td>Weight:kg</td><td>0.01</td></tr> <tr><td>NO.</td><td><b>NO.5-4</b></td></tr> </table>	Part No.	614010040	CH part name	空压机齿轮盖垫片	EN part name	Gasket	RU part name	прокладка	Size:mm		Weight:kg	0.01	NO.	<b>NO.5-4</b>
Part No.	61500010008A																														
CH part name	空压机齿轮盖																														
EN part name	Cover																														
RU part name	крышка																														
Size:mm																															
Weight:kg	0.98																														
NO.	<b>NO.5-3</b>																														
Part No.	614010040																														
CH part name	空压机齿轮盖垫片																														
EN part name	Gasket																														
RU part name	прокладка																														
Size:mm																															
Weight:kg	0.01																														
NO.	<b>NO.5-4</b>																														
Remarks: weichai WD615		Remarks: weichai WD615																													
KD0086		KD0087																													
	<table border="1"> <tr><td>Part No.</td><td>90003802576</td></tr> <tr><td>CH part name</td><td>六角头螺栓</td></tr> <tr><td>EN part name</td><td>Bolt</td></tr> <tr><td>RU part name</td><td>Болт</td></tr> <tr><td>Size:mm</td><td></td></tr> <tr><td>Weight:kg</td><td>0.025</td></tr> <tr><td>NO.</td><td><b>NO.5-10</b></td></tr> </table>	Part No.	90003802576	CH part name	六角头螺栓	EN part name	Bolt	RU part name	Болт	Size:mm		Weight:kg	0.025	NO.	<b>NO.5-10</b>		<table border="1"> <tr><td>Part No.</td><td>90003120602</td></tr> <tr><td>CH part name</td><td>密封圈</td></tr> <tr><td>EN part name</td><td>Sealing ring</td></tr> <tr><td>RU part name</td><td>Уплотнительное кольцо</td></tr> <tr><td>Size:mm</td><td></td></tr> <tr><td>Weight:kg</td><td>0.01</td></tr> <tr><td>NO.</td><td><b>NO.5-15</b></td></tr> </table>	Part No.	90003120602	CH part name	密封圈	EN part name	Sealing ring	RU part name	Уплотнительное кольцо	Size:mm		Weight:kg	0.01	NO.	<b>NO.5-15</b>
Part No.	90003802576																														
CH part name	六角头螺栓																														
EN part name	Bolt																														
RU part name	Болт																														
Size:mm																															
Weight:kg	0.025																														
NO.	<b>NO.5-10</b>																														
Part No.	90003120602																														
CH part name	密封圈																														
EN part name	Sealing ring																														
RU part name	Уплотнительное кольцо																														
Size:mm																															
Weight:kg	0.01																														
NO.	<b>NO.5-15</b>																														
Remarks: weichai WD615		Remarks: weichai WP10 WD618 WD12																													

# SHACMAN(1)

	<p>Part No. 612600010735</p> <p>CH part name 垫圈</p> <p>EN part name washer</p> <p>RU part name стиральная машина</p> <p>Size:mm</p> <p>Weight:kg</p> <p>NO. <b>NO.4-6</b></p>		<p>Part No. 90003962051</p> <p>CH part name 六角螺塞</p> <p>EN part name Hex plug</p> <p>RU part name Штекерное гнездо</p> <p>Size:mm</p> <p>Weight:kg 0.15</p> <p>NO. <b>NO.4-7-19</b></p>
Remarks: weichai WD615 WP10 WD618 WD12		Remarks: weichai WD615 WP10 WD618 WD12	
	<p>Part No. 612600013483</p> <p>CH part name 六角法兰面承面带齿螺栓</p> <p>EN part name Toothed bolt</p> <p>RU part name Зубчатый болт</p> <p>Size:mm</p> <p>Weight:kg 0.13</p> <p>NO. <b>NO.4-8</b></p>		<p>Part No. 61500010037</p> <p>CH part name 前油封</p> <p>EN part name Front oil seal</p> <p>RU part name Переднее уплотнение</p> <p>Size:mm 95*115*12</p> <p>Weight:kg 0.06</p> <p>NO. <b>NO.4-11</b></p>
Remarks: weichai WD615 WP10 WD618 WD12		Remarks: weichai WD615 WD618 WD12 WP10E32	
	<p>Part No. 612600010928</p> <p>CH part name 前油封座</p> <p>EN part name Front oil seal seat</p> <p>RU part name Переднее сиденье сальника</p> <p>Size:mm</p> <p>Weight:kg 0.6</p> <p>NO. <b>NO.4-12</b></p>		<p>Part No. 612630010106</p> <p>CH part name 曲轴前油封</p> <p>EN part name Front oil seal</p> <p>RU part name Передний сальник конлевала</p> <p>Size:mm 100*30*3/14</p> <p>Weight:kg 0.06</p> <p>NO. <b>NO.4-18</b></p>
Remarks: weichai WD615		Remarks: weichai WP12	
	<p>Part No. 612600014300</p> <p>CH part name 端盖</p> <p>EN part name End cap</p> <p>RU part name Конец крышки</p> <p>Size:mm</p> <p>Weight:kg 12</p> <p>NO. <b>NO.5-12</b></p>		<p>Part No. 61800010118</p> <p>CH part name 端盖</p> <p>EN part name End cap</p> <p>RU part name Конец крышки</p> <p>Size:mm</p> <p>Weight:kg 12</p> <p>NO. <b>NO.5-12</b></p>
Remarks: weichai WP10 612600011988 612600011821		Remarks: weichai WD618 WD12	



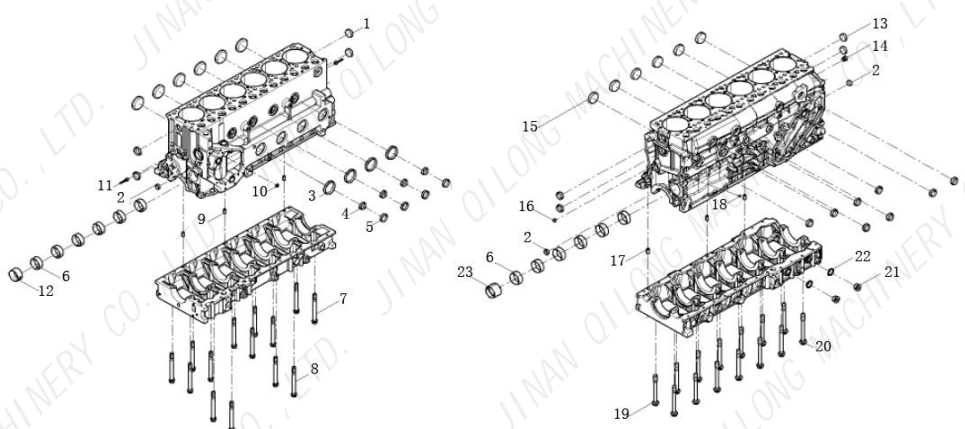






# SHACMAN(1)

Body/Timing gearbox assembly		NO.4					
				KD0068			
					Part No.	612600010932	
				CH part name	正时齿轮室		
				EN part name	Timing gearbox		
				RU part name	Камер шестерен		
				Size:mm	515*503*85		
				Weight:kg	21.12		
				NO.	<b>NO.4-3</b>		
				Remarks: weichai WD615 .50			
				KD0069			
					Part No.	612640010079	
				CH part name	正时齿轮室		
				EN part name	Timing gearbox		
				RU part name	Камер шестерен		
				Size:mm			
				Weight:kg	21.5		
				NO.	<b>NO.4-3</b>		
				Remarks: weichai WP10.336E40 612600012122 E32 612600011783			
KD0070							
	Part No.	612600013254					
	CH part name	正时齿轮室					
	EN part name	Timing gearbox					
	RU part name	Камер шестерен					
	Size:mm						
	Weight:kg	21.4					
	NO.	<b>NO.4-3</b>					
				Remarks: weichai WD12.375 WD618			
				KD0071			
					Part No.	612630010418	
				CH part name	前端盖		
				EN part name	Front cover		
				RU part name	Передняя крышка		
				Size:mm			
				Weight:kg	5.9		
				NO.	<b>NO.4-15</b>		
				Remarks: weichai WP12.430E40			
				KD0072			
	Part No.	90011430008					
	CH part name	六角法兰面承面带齿螺栓					
	EN part name	Toothed bolt					
	RU part name	Зубчатый болт					
	Size:mm						
	Weight:kg	0.1					
	NO.	<b>NO.4-4</b>					
				Remarks: weichai WD618 WD12 WD615 WP10			
				KD0073			
					Part No.	90003901507	
				CH part name	圆柱销		
				EN part name	Cylindrical pin		
				RU part name	Цилиндрический штифт		
				Size:mm			
				Weight:kg	0.16		
				NO.	<b>NO.4-5</b>		
				Remarks: weichai WD615 .50			

# SHACMAN(1)

	<p>Part No. 612600010051</p> <p>CH part name 内螺纹圆柱销</p> <p>EN part name Internal thread cylindrical pin</p> <p>RU part name Внутренняя резьба цилиндрического штифта</p> <p>Size:mm</p> <p>Weight:kg 0.2</p> <p>NO. <b>NO.3-9</b></p>		<p>Part No. 61560010029</p> <p>CH part name 凸轮轴衬套</p> <p>EN part name Camshaft bush</p> <p>RU part name Втулка распредвала</p> <p>Size:mm 200*100*100</p> <p>Weight:kg 0.7</p> <p>NO. <b>NO.3-6-12</b></p>
Remarks: weichai WP12 WD10 WD618 WD12		Remarks: weichai WD615 WD10 WD618 WD12 WP12 612630010075	
	<p>Part No. 612639000031</p> <p>CH part name 碗形塞60X14</p> <p>EN part name Bowl plug</p> <p>RU part name Пробка</p> <p>Size:mm</p> <p>Weight:kg 0.01</p> <p>NO. <b>NO.3-15</b></p>		<p>Part No. 612639000030</p> <p>CH part name 碗形塞 40X12</p> <p>EN part name Bowl plug</p> <p>RU part name Пробка</p> <p>Size:mm</p> <p>Weight:kg 0.01</p> <p>NO. <b>NO.3-13</b></p>
Remarks: weichai WP12		Remarks: weichai WD618 WD12 WP12 WD615 WP10 612639000020	
	<p>Part No. 612639000093</p> <p>CH part name 内螺纹圆柱销</p> <p>EN part name Internal thread cylindrical pin</p> <p>RU part name Внутренняя резьба цилиндрического штифта</p> <p>Size:mm</p> <p>Weight:kg 0.25</p> <p>NO. <b>NO.3-22</b></p>		<p>Part No. 612630010057</p> <p>CH part name 主轴承螺栓</p> <p>EN part name Bolt</p> <p>RU part name Болт</p> <p>Size:mm</p> <p>Weight:kg 0.24</p> <p>NO. <b>NO.3-19-20</b></p>
Remarks: weichai WP12		Remarks: weichai WP12	
	<p>Part No. 61000010134</p> <p>CH part name 密封圈</p> <p>EN part name Sealing ring</p> <p>RU part name Уплотнительное кольцо</p> <p>Size:mm</p> <p>Weight:kg</p> <p>NO. <b>NO.4-1</b></p>		<p>Part No. 288730061</p> <p>CH part name O形橡胶密封圈</p> <p>EN part name O-ring rubber seals</p> <p>RU part name Уплотнительные кольца</p> <p>Size:mm</p> <p>Weight:kg</p> <p>NO. <b>NO.4-2</b></p>
Remarks: weichai WD618 WD12 WP12 WD615 WP10		Remarks: weichai WD615 WP10	

# SHACMAN(1)

Body/Pre-assembled cylinder block		NO.3		
	KD0054			
		Part No.	90003989210	
	CH part name	碗形塞		
	EN part name	Bowl plug		
	RU part name	Пробка		
	Size:mm			
	Weight:kg	0.015		
	NO.	<b>NO.3-3</b>		
Remarks: weichai WD615 WD10 WD618 WD12				
	KD0055			
		Part No.	90003989289	
	CH part name	碗形塞		
	EN part name	Bowl plug		
	RU part name	Пробка		
	Size:mm			
	Weight:kg	0.01		
	NO.	<b>NO.3-4</b>		
Remarks: weichai WD615 WD10 WD618 WD12				
KD0056		KD0057		
	Part No.	90003989215		
	CH part name	碗形塞		
	EN part name	Bowl plug		
	RU part name	Пробка		
	Size:mm			
	Weight:kg	0.015		
	NO.	<b>NO.3-5</b>		
Remarks: weichai WD615 WD10 WD618 WD12				
			Part No.	614010114
	CH part name	主轴承螺栓		
	EN part name	Bolt		
	RU part name	Болт		
	Size:mm	195*30*30		
	Weight:kg	0.25		
	NO.	<b>NO.2-7</b>		
Remarks: weichai WD615 WD10 WD618 WD12				
KD0058		KD0059		
	Part No.	614010217		
	CH part name	主轴箱副螺栓(带孔)		
	EN part name	Bolt		
	RU part name	Болт		
	Size:mm	195*30*30		
	Weight:kg	0.25		
	NO.	<b>NO.2-8</b>		
Remarks: weichai WD615 WD10 WD618 WD12				
			Part No.	612600010718
	CH part name	碗形塞		
	EN part name	Bowl plug		
	RU part name	Пробка		
	Size:mm			
	Weight:kg	0.01		
	NO.	<b>NO.3-10</b>		
Remarks: weichai WD618 WD12				

# SHACMAN(1)

	<p>Part No. 90003901604</p> <p>CH part name 圆柱销</p> <p>EN part name Cylindrical pin</p> <p>RU part name Цилиндрический штифт</p> <p>Size:mm</p> <p>Weight:kg 0.01</p> <p>NO. <b>NO.2-3</b></p>		<p>Part No. AZ1500070097</p> <p>CH part name 主油道限压阀</p> <p>EN part name Control valve assy.</p> <p>RU part name Клапан редукционный масляного насоса</p> <p>Size:mm 70*25*25</p> <p>Weight:kg 0.2</p> <p>NO. <b>NO.2-21</b></p>
Remarks: weichai WP10 WD615 WD618 WD12		Remarks: weichai WP10 WD615 WD618 WD12	
	<p>Part No. 612639000089</p> <p>CH part name 圆柱销</p> <p>EN part name Cylindrical pin</p> <p>RU part name Цилиндрический штифт</p> <p>Size:mm</p> <p>Weight:kg 0.05</p> <p>NO. <b>NO.2-3</b></p>		<p>Part No. 90003909626</p> <p>CH part name 弹性圆柱销</p> <p>EN part name Elastic cylindrical pin</p> <p>RU part name Упругий цилиндрический штифт</p> <p>Size:mm</p> <p>Weight:kg 0.001</p> <p>NO. <b>NO.2-a3</b></p>
Remarks: weichai WP12		Remarks: weichai WP10 WD615 WD618 WD12	
	<p>Part No. 81400010032</p> <p>CH part name 密封圈</p> <p>EN part name Sealing ring</p> <p>RU part name Уплотнительное кольцо</p> <p>Size:mm</p> <p>Weight:kg</p> <p>NO. <b>NO.2-7</b></p>		<p>Part No. 612630010107</p> <p>CH part name 密封圈</p> <p>EN part name Sealing ring</p> <p>RU part name Уплотнительное кольцо</p> <p>Size:mm</p> <p>Weight:kg</p> <p>NO. <b>NO.2-7</b></p>
Remarks: weichai WP10 WD615 WD618 WD12		Remarks: weichai WP12	
	<p>Part No. 90003982121</p> <p>CH part name 碗形塞</p> <p>EN part name Bowl plug</p> <p>RU part name Пробка</p> <p>Size:mm</p> <p>Weight:kg 0.02</p> <p>NO. <b>NO.3-1</b></p>		<p>Part No. 90003989204</p> <p>CH part name 碗形塞</p> <p>EN part name Bowl plug</p> <p>RU part name Пробка</p> <p>Size:mm</p> <p>Weight:kg 0.02</p> <p>NO. <b>NO.3-2</b></p>
Remarks: weichai WD615 WD10 WD618 WD12		Remarks: weichai WD615 WD10 WD618 WD12 WP12 612639000033	

JINAN QILONG MACHINERY CO., LTD.



# SHACMAN(1)

	<b>Part No.</b> <b>CH part name</b> <b>EN part name</b> <b>RU part name</b> <b>Size:mm</b> <b>Weight:kg</b> <b>NO.</b>	612630010173 冷却喷嘴 Oil nozzle Жиклер масляный 32*28*50 0.12 <b>NO.2-a9</b>		<b>Part No.</b> <b>CH part name</b> <b>EN part name</b> <b>RU part name</b> <b>Size:mm</b> <b>Weight:kg</b> <b>NO.</b>	614070069 安全阀 The relief valve предохранительный клапан 0.01 <b>NO.2-17</b>
Remarks: weichai WP12			Remarks: weichai WD12 WD618 WD615 WP10		
	<b>Part No.</b> <b>CH part name</b> <b>EN part name</b> <b>RU part name</b> <b>Size:mm</b> <b>Weight:kg</b> <b>NO.</b>	61560010090 冷却喷嘴 Oil nozzle Жиклер масляный 15*11*1.6 0.11 <b>NO.2-a9</b>		<b>Part No.</b> <b>CH part name</b> <b>EN part name</b> <b>RU part name</b> <b>Size:mm</b> <b>Weight:kg</b> <b>NO.</b>	612600010659 冷却喷嘴 Oil nozzle Жиклер масляный 60*25*20 0.12 <b>NO.2-a9</b>
Remarks: weichai WD615			Remarks: weichai WP10		
	<b>Part No.</b> <b>CH part name</b> <b>EN part name</b> <b>RU part name</b> <b>Size:mm</b> <b>Weight:kg</b> <b>NO.</b>	612600010750 冷却喷嘴 Oil nozzle Жиклер масляный 0.12 <b>NO.2-a9</b>		<b>Part No.</b> <b>CH part name</b> <b>EN part name</b> <b>RU part name</b> <b>Size:mm</b> <b>Weight:kg</b> <b>NO.</b>	3080708 冷却喷嘴 Oil nozzle Жиклер масляный 0.12 <b>NO.2-a9</b>
Remarks: weichai WD618 WD12			Remarks: ISM11 QSM11 M11		
	<b>Part No.</b> <b>CH part name</b> <b>EN part name</b> <b>RU part name</b> <b>Size:mm</b> <b>Weight:kg</b> <b>NO.</b>	90003962621 空心螺栓 Hollow bolt Пóлый болт 0.11 <b>NO.2-c9</b>		<b>Part No.</b> <b>CH part name</b> <b>EN part name</b> <b>RU part name</b> <b>Size:mm</b> <b>Weight:kg</b> <b>NO.</b>	90003098015 冷却喷嘴密封垫 Cool the nozzle seal Охладите уплотнение форсунки 0.01 <b>NO.2-b9</b>
Remarks: weichai WP10 WD615 WD618 WD12			Remarks: weichai WD12 WD618 WD615 WP10		

# SHACMAN(1)

	<table border="1"> <tr><td>Part No.</td><td>61500010100</td></tr> <tr><td>CH part name</td><td>曲轴后油封</td></tr> <tr><td>EN part name</td><td>Rear oil seal</td></tr> <tr><td>RU part name</td><td>Задний сальник конлевала</td></tr> <tr><td>Size:mm</td><td>115*140*12</td></tr> <tr><td>Weight:kg</td><td>0.09</td></tr> <tr><td>NO.</td><td><b>NO.2-A1</b></td></tr> </table>	Part No.	61500010100	CH part name	曲轴后油封	EN part name	Rear oil seal	RU part name	Задний сальник конлевала	Size:mm	115*140*12	Weight:kg	0.09	NO.	<b>NO.2-A1</b>		<table border="1"> <tr><td>Part No.</td><td>61800010128/0132</td></tr> <tr><td>CH part name</td><td>曲轴瓦</td></tr> <tr><td>EN part name</td><td>Main bearing</td></tr> <tr><td>RU part name</td><td>Вкладыши коренные</td></tr> <tr><td>Size:mm</td><td>280*112*35</td></tr> <tr><td>Weight:kg</td><td>1.7</td></tr> <tr><td>NO.</td><td><b>NO.2-15-16</b></td></tr> </table>	Part No.	61800010128/0132	CH part name	曲轴瓦	EN part name	Main bearing	RU part name	Вкладыши коренные	Size:mm	280*112*35	Weight:kg	1.7	NO.	<b>NO.2-15-16</b>
Part No.	61500010100																														
CH part name	曲轴后油封																														
EN part name	Rear oil seal																														
RU part name	Задний сальник конлевала																														
Size:mm	115*140*12																														
Weight:kg	0.09																														
NO.	<b>NO.2-A1</b>																														
Part No.	61800010128/0132																														
CH part name	曲轴瓦																														
EN part name	Main bearing																														
RU part name	Вкладыши коренные																														
Size:mm	280*112*35																														
Weight:kg	1.7																														
NO.	<b>NO.2-15-16</b>																														
Remarks: weichai WD615 WP10 WD618 WD12		Remarks: weichai WD12 WD618																													
	<table border="1"> <tr><td>Part No.</td><td>90003989210</td></tr> <tr><td>CH part name</td><td>碗形塞</td></tr> <tr><td>EN part name</td><td>Corehole plug</td></tr> <tr><td>RU part name</td><td>corehole пробка</td></tr> <tr><td>Size:mm</td><td>76*65*45</td></tr> <tr><td>Weight:kg</td><td>0.01</td></tr> <tr><td>NO.</td><td><b>NO.2</b></td></tr> </table>	Part No.	90003989210	CH part name	碗形塞	EN part name	Corehole plug	RU part name	corehole пробка	Size:mm	76*65*45	Weight:kg	0.01	NO.	<b>NO.2</b>		<table border="1"> <tr><td>Part No.</td><td>612630030009</td></tr> <tr><td>CH part name</td><td>曲轴后油封</td></tr> <tr><td>EN part name</td><td>Rear oil seal</td></tr> <tr><td>RU part name</td><td>Задний сальник конлевала</td></tr> <tr><td>Size:mm</td><td>120*120*10</td></tr> <tr><td>Weight:kg</td><td>0.1</td></tr> <tr><td>NO.</td><td><b>NO.2-A1</b></td></tr> </table>	Part No.	612630030009	CH part name	曲轴后油封	EN part name	Rear oil seal	RU part name	Задний сальник конлевала	Size:mm	120*120*10	Weight:kg	0.1	NO.	<b>NO.2-A1</b>
Part No.	90003989210																														
CH part name	碗形塞																														
EN part name	Corehole plug																														
RU part name	corehole пробка																														
Size:mm	76*65*45																														
Weight:kg	0.01																														
NO.	<b>NO.2</b>																														
Part No.	612630030009																														
CH part name	曲轴后油封																														
EN part name	Rear oil seal																														
RU part name	Задний сальник конлевала																														
Size:mm	120*120*10																														
Weight:kg	0.1																														
NO.	<b>NO.2-A1</b>																														
Remarks: weichai		Remarks: weichai WP12																													
	<table border="1"> <tr><td>Part No.</td><td>612600010893</td></tr> <tr><td>CH part name</td><td>气缸盖螺栓</td></tr> <tr><td>EN part name</td><td>Cylinder head bolts</td></tr> <tr><td>RU part name</td><td>Болты с цилиндрической головкой</td></tr> <tr><td>Size:mm</td><td></td></tr> <tr><td>Weight:kg</td><td>0.15</td></tr> <tr><td>NO.</td><td><b>NO.2-2</b></td></tr> </table>	Part No.	612600010893	CH part name	气缸盖螺栓	EN part name	Cylinder head bolts	RU part name	Болты с цилиндрической головкой	Size:mm		Weight:kg	0.15	NO.	<b>NO.2-2</b>		<table border="1"> <tr><td>Part No.</td><td>61500010185S</td></tr> <tr><td>CH part name</td><td>气缸盖螺栓</td></tr> <tr><td>EN part name</td><td>Cylinder head bolts</td></tr> <tr><td>RU part name</td><td>Болты с цилиндрической головкой</td></tr> <tr><td>Size:mm</td><td>195*20*20</td></tr> <tr><td>Weight:kg</td><td>0.15</td></tr> <tr><td>NO.</td><td><b>NO.2-2</b></td></tr> </table>	Part No.	61500010185S	CH part name	气缸盖螺栓	EN part name	Cylinder head bolts	RU part name	Болты с цилиндрической головкой	Size:mm	195*20*20	Weight:kg	0.15	NO.	<b>NO.2-2</b>
Part No.	612600010893																														
CH part name	气缸盖螺栓																														
EN part name	Cylinder head bolts																														
RU part name	Болты с цилиндрической головкой																														
Size:mm																															
Weight:kg	0.15																														
NO.	<b>NO.2-2</b>																														
Part No.	61500010185S																														
CH part name	气缸盖螺栓																														
EN part name	Cylinder head bolts																														
RU part name	Болты с цилиндрической головкой																														
Size:mm	195*20*20																														
Weight:kg	0.15																														
NO.	<b>NO.2-2</b>																														
Remarks: weichai WD12 WD618 WP10 612600010893S		Remarks: weichai WD12 WD618 WD615 WP10 61500010185																													
	<table border="1"> <tr><td>Part No.</td><td>90003802493</td></tr> <tr><td>CH part name</td><td>螺栓</td></tr> <tr><td>EN part name</td><td>Bolt</td></tr> <tr><td>RU part name</td><td>Болт</td></tr> <tr><td>Size:mm</td><td>M8*110</td></tr> <tr><td>Weight:kg</td><td>0.16</td></tr> <tr><td>NO.</td><td><b>NO.2-10</b></td></tr> </table>	Part No.	90003802493	CH part name	螺栓	EN part name	Bolt	RU part name	Болт	Size:mm	M8*110	Weight:kg	0.16	NO.	<b>NO.2-10</b>		<table border="1"> <tr><td>Part No.</td><td>90011350085</td></tr> <tr><td>CH part name</td><td>螺栓</td></tr> <tr><td>EN part name</td><td>Bolt</td></tr> <tr><td>RU part name</td><td>Болт</td></tr> <tr><td>Size:mm</td><td></td></tr> <tr><td>Weight:kg</td><td>0.16</td></tr> <tr><td>NO.</td><td><b>NO.2-11</b></td></tr> </table>	Part No.	90011350085	CH part name	螺栓	EN part name	Bolt	RU part name	Болт	Size:mm		Weight:kg	0.16	NO.	<b>NO.2-11</b>
Part No.	90003802493																														
CH part name	螺栓																														
EN part name	Bolt																														
RU part name	Болт																														
Size:mm	M8*110																														
Weight:kg	0.16																														
NO.	<b>NO.2-10</b>																														
Part No.	90011350085																														
CH part name	螺栓																														
EN part name	Bolt																														
RU part name	Болт																														
Size:mm																															
Weight:kg	0.16																														
NO.	<b>NO.2-11</b>																														
Remarks: weichai WD615 WP10		Remarks: weichai WD618 WP12																													

# SHACMAN(1)


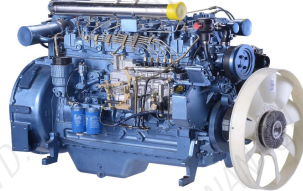


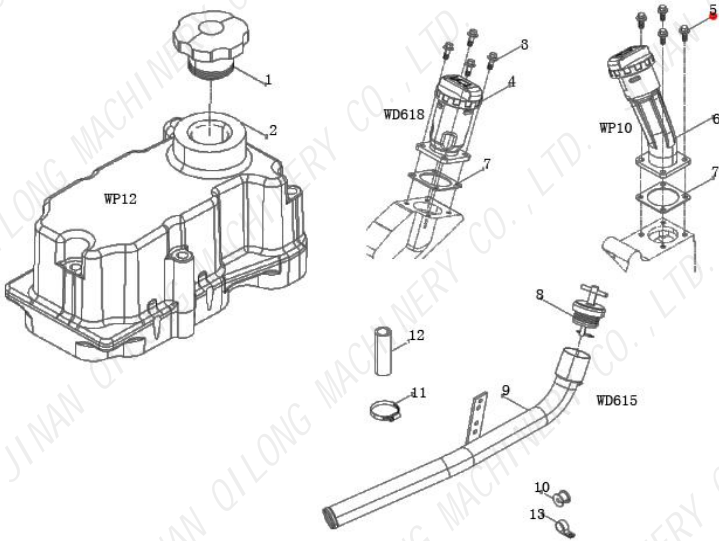


KD0022			KD0023		
	Part No.	612630010015		Part No.	3080760
	CH part name	气缸套		CH part name	气缸套
	EN part name	Cylinder liner		EN part name	Cylinder liner
	RU part name	Гильза		RU part name	Гильза
	Size:mm	241*126		Size:mm	241*126
	Weight:kg	1.16		Weight:kg	1.5
	NO.	<b>NO.2-6</b>		NO.	<b>NO.2-1</b>
Remarks: weichai WD615 WP10			Remarks: CUMM INS M11		
KD0024			KD0025		
	Part No.	81500010125		Part No.	81500010046
	CH part name	止推片		CH part name	曲轴瓦
	EN part name	Stop washer		EN part name	Main bearing
	RU part name	Стопорная шайба		RU part name	Вкладыши коренные
	Size:mm	128*68*2		Size:mm	280*112*35
	Weight:kg	0.47		Weight:kg	1.7
	NO.	<b>NO.2-13-14</b>		NO.	<b>NO.2-3</b>
Remarks: weichai WD615 WP10 612600013917/18			Remarks: weichai WP10 WD615		
KD0026			KD0027		
	Part No.	612630010070		Part No.	612630010088/89
	CH part name	止推片		CH part name	曲轴瓦
	EN part name	Stop washer		EN part name	Main bearing
	RU part name	Стопорная шайба		RU part name	Вкладыши коренные
	Size:mm	128*68*2		Size:mm	280*112*35
	Weight:kg	0.47		Weight:kg	1.7
	NO.	<b>NO.2-13-14</b>		NO.	<b>NO.2-15-16</b>
Remarks: weichai WP12 WD618 WD12 612630010629/30			Remarks: weichai WP12		
KD0028			KD0029		
	Part No.	4926017-4926018		Part No.	3016770/3016780
	CH part name	止推片		CH part name	主轴瓦组件
	EN part name	Stop washer		EN part name	Main bearing
	RU part name	Стопорная шайба		RU part name	Вкладыши коренные
	Size:mm			Size:mm	
	Weight:kg			Weight:kg	
	NO.	<b>NO.2-13-14</b>		NO.	<b>NO.2-15-16</b>
Remarks: weichai CUMM INS M11			Remarks: weichai CUMM INS M11		



# SHACMAN(1)

Body/Cylinder block assembly		NO.2															
	KD0016		<table border="1"> <tr><td>Part No.</td><td>612630900009</td></tr> <tr><td>CH part name</td><td>气缸体</td></tr> <tr><td>EN part name</td><td>Crankcase</td></tr> <tr><td>RU part name</td><td>блок цилиндров</td></tr> <tr><td>Size:mm</td><td></td></tr> <tr><td>Weight:kg</td><td>160</td></tr> <tr><td>NO.</td><td><b>NO.2-1</b></td></tr> </table>	Part No.	612630900009	CH part name	气缸体	EN part name	Crankcase	RU part name	блок цилиндров	Size:mm		Weight:kg	160	NO.	<b>NO.2-1</b>
	Part No.	612630900009															
	CH part name	气缸体															
	EN part name	Crankcase															
	RU part name	блок цилиндров															
	Size:mm																
	Weight:kg	160															
	NO.	<b>NO.2-1</b>															
	Remarks: weichai WP12																
		KD0017	<table border="1"> <tr><td>Part No.</td><td>612600012167</td></tr> <tr><td>CH part name</td><td>气缸体</td></tr> <tr><td>EN part name</td><td>Crankcase</td></tr> <tr><td>RU part name</td><td>блок цилиндров</td></tr> <tr><td>Size:mm</td><td>980*500*485</td></tr> <tr><td>Weight:kg</td><td>158</td></tr> <tr><td>NO.</td><td><b>NO.2-1</b></td></tr> </table>	Part No.	612600012167	CH part name	气缸体	EN part name	Crankcase	RU part name	блок цилиндров	Size:mm	980*500*485	Weight:kg	158	NO.	<b>NO.2-1</b>
Part No.		612600012167															
CH part name		气缸体															
EN part name		Crankcase															
RU part name		блок цилиндров															
Size:mm		980*500*485															
Weight:kg		158															
NO.		<b>NO.2-1</b>															
Remarks: weichai WP10																	
		KD0018	<table border="1"> <tr><td>Part No.</td><td>612600013841</td></tr> <tr><td>CH part name</td><td>气缸体</td></tr> <tr><td>EN part name</td><td>Crankcase</td></tr> <tr><td>RU part name</td><td>блок цилиндров</td></tr> <tr><td>Size:mm</td><td></td></tr> <tr><td>Weight:kg</td><td>158</td></tr> <tr><td>NO.</td><td><b>NO.2-1</b></td></tr> </table>	Part No.	612600013841	CH part name	气缸体	EN part name	Crankcase	RU part name	блок цилиндров	Size:mm		Weight:kg	158	NO.	<b>NO.2-1</b>
	Part No.	612600013841															
	CH part name	气缸体															
	EN part name	Crankcase															
	RU part name	блок цилиндров															
	Size:mm																
	Weight:kg	158															
	NO.	<b>NO.2-1</b>															
Remarks: weichai WD618 WD12																	
	KD0019	<table border="1"> <tr><td>Part No.</td><td>61560010095</td></tr> <tr><td>CH part name</td><td>气缸体</td></tr> <tr><td>EN part name</td><td>Crankcase</td></tr> <tr><td>RU part name</td><td>блок цилиндров</td></tr> <tr><td>Size:mm</td><td>980*500*485</td></tr> <tr><td>Weight:kg</td><td>112</td></tr> <tr><td>NO.</td><td><b>NO.2-1</b></td></tr> </table>	Part No.	61560010095	CH part name	气缸体	EN part name	Crankcase	RU part name	блок цилиндров	Size:mm	980*500*485	Weight:kg	112	NO.	<b>NO.2-1</b>	
	Part No.	61560010095															
	CH part name	气缸体															
	EN part name	Crankcase															
	RU part name	блок цилиндров															
	Size:mm	980*500*485															
	Weight:kg	112															
	NO.	<b>NO.2-1</b>															
Remarks: weichai WD615 612600010816																	
	KD0020	<table border="1"> <tr><td>Part No.</td><td>612630010055</td></tr> <tr><td>CH part name</td><td>气缸套</td></tr> <tr><td>EN part name</td><td>Cylinder liner</td></tr> <tr><td>RU part name</td><td>Гильза</td></tr> <tr><td>Size:mm</td><td>241*126</td></tr> <tr><td>Weight:kg</td><td>1.16</td></tr> <tr><td>NO.</td><td><b>NO.2-6</b></td></tr> </table>	Part No.	612630010055	CH part name	气缸套	EN part name	Cylinder liner	RU part name	Гильза	Size:mm	241*126	Weight:kg	1.16	NO.	<b>NO.2-6</b>	
	Part No.	612630010055															
	CH part name	气缸套															
	EN part name	Cylinder liner															
	RU part name	Гильза															
	Size:mm	241*126															
	Weight:kg	1.16															
	NO.	<b>NO.2-6</b>															
Remarks: weichai WD618 WD12 WP12																	
	KD0021	<table border="1"> <tr><td>Part No.</td><td>4060393</td></tr> <tr><td>CH part name</td><td>气缸体</td></tr> <tr><td>EN part name</td><td>Crankcase</td></tr> <tr><td>RU part name</td><td>блок цилиндров</td></tr> <tr><td>Size:mm</td><td></td></tr> <tr><td>Weight:kg</td><td>113</td></tr> <tr><td>NO.</td><td><b>NO.2-34</b></td></tr> </table>	Part No.	4060393	CH part name	气缸体	EN part name	Crankcase	RU part name	блок цилиндров	Size:mm		Weight:kg	113	NO.	<b>NO.2-34</b>	
	Part No.	4060393															
	CH part name	气缸体															
	EN part name	Crankcase															
	RU part name	блок цилиндров															
	Size:mm																
	Weight:kg	113															
	NO.	<b>NO.2-34</b>															
Remarks: CUMM INS M11																	

# SHACMAN(1)

	KD0001							
	Part No.	SZ901000830			Part No.	WD618.420HP		
	CH part name	发动机总成			CH part name	发动机总成		
	EN part name	WEICHAJ WD615.50Engine assy.			EN part name	WEICHAJ QSM11 Engine assy.		
	RU part name	Двигатель в сбореWD615.50WEICHAJ Power			RU part name	Двигатель в сборе QSM11 WEICHAJ Power		
	Size:mm	1566*582*1024			Size:mm	1525*660*965		
	Weight:kg	980			Weight:kg	975		
	Price:usd				Price:usd			
Remarks: weichai WD615.50 ( 290HP )			Remarks:weichai WD618.420HP					
	KD0003							
	Part No.	DZ61109010402			Part No.	DZ61129010201		
	CH part name	发动机总成			CH part name	发动机总成		
	EN part name	WEICHAJ WP10.336E40 Engine assy.			EN part name	WEICHAJ WP12.375 Engine assy.		
	RU part name	Двигатель в сбореWP10.336 WEICHAJ Power			RU part name	Двигатель в сбореWP12.3750 WEICHAJ Power		
	Size:mm	1566*582*1024			Size:mm	1525*660*965/1611×817×1094		
	Weight:kg	950			Weight:kg	1130/1050		
	Price:usd				Price:usd			
Remarks: weichai WP10.336E40 DHP10Q1252*01			Remarks: weichai WP12.375 DHP12N0095*01					
Body/Lubrication system		<b>NO.1</b>						
								
	KD0006							
	Part No.	DZ61129010121			Part No.	612630040069		
	CH part name	发动机总成			CH part name	机油口盖		
	EN part name	WEICHAJ WD12.375 Engine assy.			EN part name	Oil cap		
	RU part name	Двигатель в сбореWD12.375 WEICHAJ Power			RU part name	Колпачок масла		
	Size:mm	1525*660*965			Size:mm			
	Weight:kg	950			Weight:kg	0.23		
	Price:usd				NO.	<b>NO.1-1</b>		
Remarks:weichai WD12.375 DHD12Q0226			Remarks: weichai WP12 1000106562					

# SHACMAN(1)

	<table border="1"> <tr><td>Part No.</td><td>612600014006</td></tr> <tr><td>CH part name</td><td>加机油管总成</td></tr> <tr><td>EN part name</td><td>Add oil pipe assembly</td></tr> <tr><td>RU part name</td><td>Добавить узел масляной трубы</td></tr> <tr><td>Size:mm</td><td></td></tr> <tr><td>Weight:kg</td><td>0.21</td></tr> <tr><td>NO.</td><td><b>NO.1-4</b></td></tr> </table>	Part No.	612600014006	CH part name	加机油管总成	EN part name	Add oil pipe assembly	RU part name	Добавить узел масляной трубы	Size:mm		Weight:kg	0.21	NO.	<b>NO.1-4</b>		<table border="1"> <tr><td>Part No.</td><td>1001073780</td></tr> <tr><td>CH part name</td><td>气缸盖罩</td></tr> <tr><td>EN part name</td><td>Cylinder head cover</td></tr> <tr><td>RU part name</td><td>Крышка ГБЦ</td></tr> <tr><td>Size:mm</td><td>224*145*140</td></tr> <tr><td>Weight:kg</td><td>0.85</td></tr> <tr><td>NO.</td><td><b>NO.1-2</b></td></tr> </table>	Part No.	1001073780	CH part name	气缸盖罩	EN part name	Cylinder head cover	RU part name	Крышка ГБЦ	Size:mm	224*145*140	Weight:kg	0.85	NO.	<b>NO.1-2</b>
Part No.	612600014006																														
CH part name	加机油管总成																														
EN part name	Add oil pipe assembly																														
RU part name	Добавить узел масляной трубы																														
Size:mm																															
Weight:kg	0.21																														
NO.	<b>NO.1-4</b>																														
Part No.	1001073780																														
CH part name	气缸盖罩																														
EN part name	Cylinder head cover																														
RU part name	Крышка ГБЦ																														
Size:mm	224*145*140																														
Weight:kg	0.85																														
NO.	<b>NO.1-2</b>																														
Remarks: weichai WD618 WD12		Remarks: weichai WP12 612630040065 612630040304																													
	<table border="1"> <tr><td>Part No.</td><td>612600015335</td></tr> <tr><td>CH part name</td><td>加油管组件</td></tr> <tr><td>EN part name</td><td>Nozzle</td></tr> <tr><td>RU part name</td><td>бензоподвод</td></tr> <tr><td>Size:mm</td><td>165*45*45</td></tr> <tr><td>Weight:kg</td><td>0.287</td></tr> <tr><td>NO.</td><td><b>NO.1-6</b></td></tr> </table>	Part No.	612600015335	CH part name	加油管组件	EN part name	Nozzle	RU part name	бензоподвод	Size:mm	165*45*45	Weight:kg	0.287	NO.	<b>NO.1-6</b>		<table border="1"> <tr><td>Part No.</td><td>612600010535</td></tr> <tr><td>CH part name</td><td>加油管组件</td></tr> <tr><td>EN part name</td><td>Nozzle</td></tr> <tr><td>RU part name</td><td>бензоподвод</td></tr> <tr><td>Size:mm</td><td>165*45*45</td></tr> <tr><td>Weight:kg</td><td>0.35</td></tr> <tr><td>NO.</td><td><b>NO.1-6</b></td></tr> </table>	Part No.	612600010535	CH part name	加油管组件	EN part name	Nozzle	RU part name	бензоподвод	Size:mm	165*45*45	Weight:kg	0.35	NO.	<b>NO.1-6</b>
Part No.	612600015335																														
CH part name	加油管组件																														
EN part name	Nozzle																														
RU part name	бензоподвод																														
Size:mm	165*45*45																														
Weight:kg	0.287																														
NO.	<b>NO.1-6</b>																														
Part No.	612600010535																														
CH part name	加油管组件																														
EN part name	Nozzle																														
RU part name	бензоподвод																														
Size:mm	165*45*45																														
Weight:kg	0.35																														
NO.	<b>NO.1-6</b>																														
Remarks: weichai WP10		Remarks: weichai WP10 WD615																													
	<table border="1"> <tr><td>Part No.</td><td>614010086</td></tr> <tr><td>CH part name</td><td>垫片</td></tr> <tr><td>EN part name</td><td>Gasket</td></tr> <tr><td>RU part name</td><td>распорка</td></tr> <tr><td>Size:mm</td><td>45*45*0.2</td></tr> <tr><td>Weight:kg</td><td>0.003</td></tr> <tr><td>NO.</td><td><b>NO.1-7</b></td></tr> </table>	Part No.	614010086	CH part name	垫片	EN part name	Gasket	RU part name	распорка	Size:mm	45*45*0.2	Weight:kg	0.003	NO.	<b>NO.1-7</b>		<table border="1"> <tr><td>Part No.</td><td>612600010489</td></tr> <tr><td>CH part name</td><td>加油管盖组件</td></tr> <tr><td>EN part name</td><td>Cover of oil intake</td></tr> <tr><td>RU part name</td><td>Крышка маслозаливной горловины</td></tr> <tr><td>Size:mm</td><td>60*60*30</td></tr> <tr><td>Weight:kg</td><td>0.15</td></tr> <tr><td>NO.</td><td><b>NO.1-8</b></td></tr> </table>	Part No.	612600010489	CH part name	加油管盖组件	EN part name	Cover of oil intake	RU part name	Крышка маслозаливной горловины	Size:mm	60*60*30	Weight:kg	0.15	NO.	<b>NO.1-8</b>
Part No.	614010086																														
CH part name	垫片																														
EN part name	Gasket																														
RU part name	распорка																														
Size:mm	45*45*0.2																														
Weight:kg	0.003																														
NO.	<b>NO.1-7</b>																														
Part No.	612600010489																														
CH part name	加油管盖组件																														
EN part name	Cover of oil intake																														
RU part name	Крышка маслозаливной горловины																														
Size:mm	60*60*30																														
Weight:kg	0.15																														
NO.	<b>NO.1-8</b>																														
Remarks: weichai WD12 WD618		Remarks: weichai WP10 WD615																													
	<table border="1"> <tr><td>Part No.</td><td>612600010522</td></tr> <tr><td>CH part name</td><td>加油管组件</td></tr> <tr><td>EN part name</td><td>Nozzle</td></tr> <tr><td>RU part name</td><td>бензоподвод</td></tr> <tr><td>Size:mm</td><td></td></tr> <tr><td>Weight:kg</td><td>0.21</td></tr> <tr><td>NO.</td><td><b>NO.1-9</b></td></tr> </table>	Part No.	612600010522	CH part name	加油管组件	EN part name	Nozzle	RU part name	бензоподвод	Size:mm		Weight:kg	0.21	NO.	<b>NO.1-9</b>		<table border="1"> <tr><td>Part No.</td><td>612600010446</td></tr> <tr><td>CH part name</td><td>橡胶管箍</td></tr> <tr><td>EN part name</td><td>Rubber tube hoop</td></tr> <tr><td>RU part name</td><td>Обруч резиновой трубки</td></tr> <tr><td>Size:mm</td><td></td></tr> <tr><td>Weight:kg</td><td>0.1</td></tr> <tr><td>NO.</td><td><b>NO.1-10</b></td></tr> </table>	Part No.	612600010446	CH part name	橡胶管箍	EN part name	Rubber tube hoop	RU part name	Обруч резиновой трубки	Size:mm		Weight:kg	0.1	NO.	<b>NO.1-10</b>
Part No.	612600010522																														
CH part name	加油管组件																														
EN part name	Nozzle																														
RU part name	бензоподвод																														
Size:mm																															
Weight:kg	0.21																														
NO.	<b>NO.1-9</b>																														
Part No.	612600010446																														
CH part name	橡胶管箍																														
EN part name	Rubber tube hoop																														
RU part name	Обруч резиновой трубки																														
Size:mm																															
Weight:kg	0.1																														
NO.	<b>NO.1-10</b>																														
Remarks: weichai WD615		Remarks: weichai WD615																													