





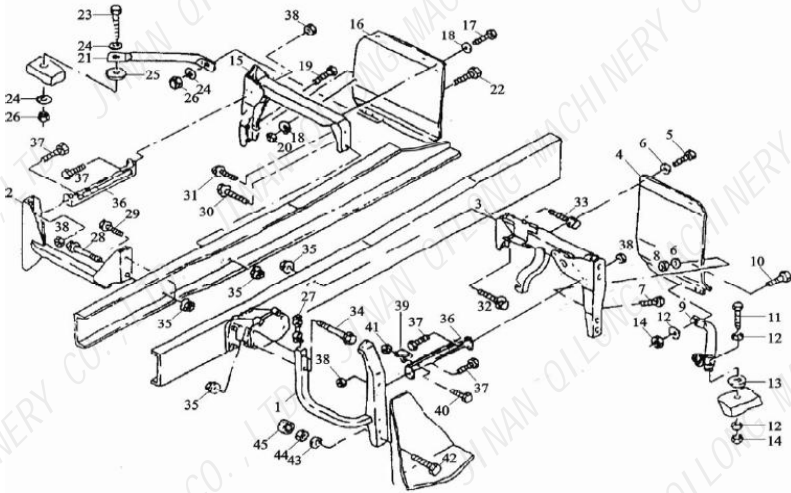







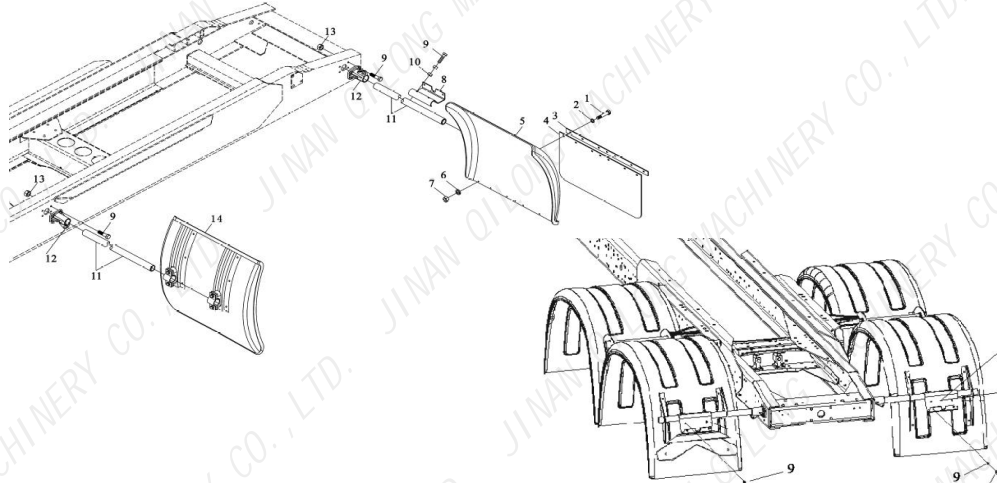

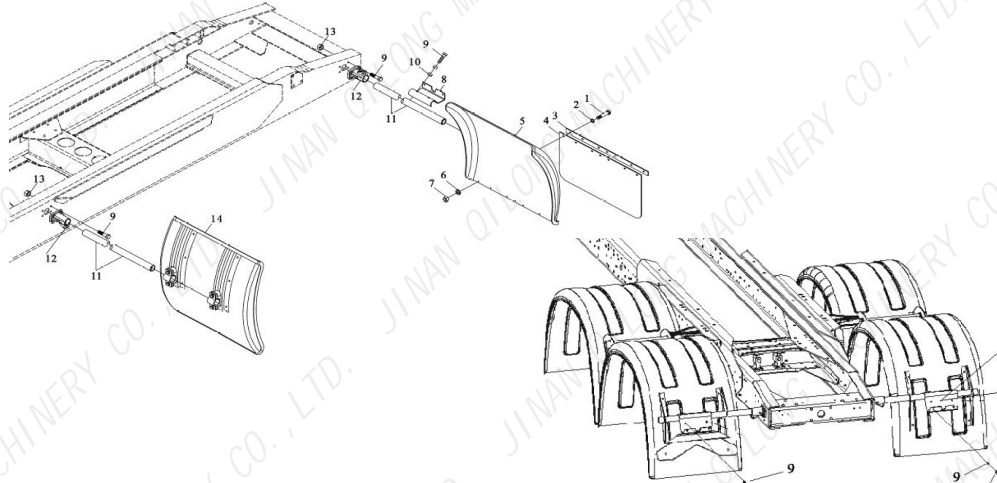





SHACMAN(1)

| | | | | | | | | | | | | | | | | | | | | | | | | | | | | | | | |
|---|---|---|----------------|--------------|--------------|--------------|-----------------------------|--------------|--------------------|---------|--------------|-----------|-------|-----|-----------------|---|--|----------|---------------|--------------|------------|--------------|-----------------------------|--------------|--------------------|---------|--------------|-----------|--------|-----|-----------------|
|  | <table border="1"> <tr><td>Part No.</td><td>199000610057</td></tr> <tr><td>CH part name</td><td>内胎总成SEMP</td></tr> <tr><td>EN part name</td><td>Inner tube Assembly</td></tr> <tr><td>RU part name</td><td>Камера в сборе</td></tr> <tr><td>Size:mm</td><td>11.00-20</td></tr> <tr><td>Weight:kg</td><td>4</td></tr> <tr><td>NO.</td><td></td></tr> </table> | Part No. | 199000610057 | CH part name | 内胎总成SEMP | EN part name | Inner tube Assembly | RU part name | Камера в сборе | Size:mm | 11.00-20 | Weight:kg | 4 | NO. | |  | <table border="1"> <tr><td>Part No.</td><td>DZ93259615001</td></tr> <tr><td>CH part name</td><td>前轮罩</td></tr> <tr><td>EN part name</td><td>Wheel covers</td></tr> <tr><td>RU part name</td><td>колпаки</td></tr> <tr><td>Size:mm</td><td>850*50</td></tr> <tr><td>Weight:kg</td><td>0.21</td></tr> <tr><td>NO.</td><td></td></tr> </table> | Part No. | DZ93259615001 | CH part name | 前轮罩 | EN part name | Wheel covers | RU part name | колпаки | Size:mm | 850*50 | Weight:kg | 0.21 | NO. | |
| Part No. | 199000610057 | | | | | | | | | | | | | | | | | | | | | | | | | | | | | | |
| CH part name | 内胎总成SEMP | | | | | | | | | | | | | | | | | | | | | | | | | | | | | | |
| EN part name | Inner tube Assembly | | | | | | | | | | | | | | | | | | | | | | | | | | | | | | |
| RU part name | Камера в сборе | | | | | | | | | | | | | | | | | | | | | | | | | | | | | | |
| Size:mm | 11.00-20 | | | | | | | | | | | | | | | | | | | | | | | | | | | | | | |
| Weight:kg | 4 | | | | | | | | | | | | | | | | | | | | | | | | | | | | | | |
| NO. | | | | | | | | | | | | | | | | | | | | | | | | | | | | | | | |
| Part No. | DZ93259615001 | | | | | | | | | | | | | | | | | | | | | | | | | | | | | | |
| CH part name | 前轮罩 | | | | | | | | | | | | | | | | | | | | | | | | | | | | | | |
| EN part name | Wheel covers | | | | | | | | | | | | | | | | | | | | | | | | | | | | | | |
| RU part name | колпаки | | | | | | | | | | | | | | | | | | | | | | | | | | | | | | |
| Size:mm | 850*50 | | | | | | | | | | | | | | | | | | | | | | | | | | | | | | |
| Weight:kg | 0.21 | | | | | | | | | | | | | | | | | | | | | | | | | | | | | | |
| NO. | | | | | | | | | | | | | | | | | | | | | | | | | | | | | | | |
| Remarks: SHACMAN F3000 F2000 X3000 M3000 8*4 6*4 | | Remarks: SHACMAN F3000 F2000 X3000 M3000 8*4 6*4 | | | | | | | | | | | | | | | | | | | | | | | | | | | | | |
|  | <table border="1"> <tr><td>Part No.</td><td>DH7131.400294M</td></tr> <tr><td>CH part name</td><td>中桥总成 S4.8</td></tr> <tr><td>EN part name</td><td>Bridge assembly</td></tr> <tr><td>RU part name</td><td>мост ассамблеи</td></tr> <tr><td>Size:mm</td><td></td></tr> <tr><td>Weight:kg</td><td></td></tr> <tr><td>NO.</td><td>NO.66</td></tr> </table> | Part No. | DH7131.400294M | CH part name | 中桥总成 S4.8 | EN part name | Bridge assembly | RU part name | мост ассамблеи | Size:mm | | Weight:kg | | NO. | NO.66 |  | <table border="1"> <tr><td>Part No.</td><td>SZ939000372</td></tr> <tr><td>CH part name</td><td>中桥总成i=5.73</td></tr> <tr><td>EN part name</td><td>Bridge assembly</td></tr> <tr><td>RU part name</td><td>мост ассамблеи</td></tr> <tr><td>Size:mm</td><td></td></tr> <tr><td>Weight:kg</td><td></td></tr> <tr><td>NO.</td><td>NO.66</td></tr> </table> | Part No. | SZ939000372 | CH part name | 中桥总成i=5.73 | EN part name | Bridge assembly | RU part name | мост ассамблеи | Size:mm | | Weight:kg | | NO. | NO.66 |
| Part No. | DH7131.400294M | | | | | | | | | | | | | | | | | | | | | | | | | | | | | | |
| CH part name | 中桥总成 S4.8 | | | | | | | | | | | | | | | | | | | | | | | | | | | | | | |
| EN part name | Bridge assembly | | | | | | | | | | | | | | | | | | | | | | | | | | | | | | |
| RU part name | мост ассамблеи | | | | | | | | | | | | | | | | | | | | | | | | | | | | | | |
| Size:mm | | | | | | | | | | | | | | | | | | | | | | | | | | | | | | | |
| Weight:kg | | | | | | | | | | | | | | | | | | | | | | | | | | | | | | | |
| NO. | NO.66 | | | | | | | | | | | | | | | | | | | | | | | | | | | | | | |
| Part No. | SZ939000372 | | | | | | | | | | | | | | | | | | | | | | | | | | | | | | |
| CH part name | 中桥总成i=5.73 | | | | | | | | | | | | | | | | | | | | | | | | | | | | | | |
| EN part name | Bridge assembly | | | | | | | | | | | | | | | | | | | | | | | | | | | | | | |
| RU part name | мост ассамблеи | | | | | | | | | | | | | | | | | | | | | | | | | | | | | | |
| Size:mm | | | | | | | | | | | | | | | | | | | | | | | | | | | | | | | |
| Weight:kg | | | | | | | | | | | | | | | | | | | | | | | | | | | | | | | |
| NO. | NO.66 | | | | | | | | | | | | | | | | | | | | | | | | | | | | | | |
| Remarks: SHACMAN F3000 F2000 X3000 M3000 8*4 6*4 MAN SZ939000134 M4.769 | | Remarks: SHACMAN F3000 F2000 X3000 M3000 8*4 6*4 STEYR i=6.72 | | | | | | | | | | | | | | | | | | | | | | | | | | | | | |
|  | <table border="1"> <tr><td>Part No.</td><td>HD95149330001</td></tr> <tr><td>CH part name</td><td>中桥壳</td></tr> <tr><td>EN part name</td><td>Middle axle housing</td></tr> <tr><td>RU part name</td><td>средний оси, жильё</td></tr> <tr><td>Size:mm</td><td>2100*415*260</td></tr> <tr><td>Weight:kg</td><td>271.5</td></tr> <tr><td>NO.</td><td>NO.66-30</td></tr> </table> | Part No. | HD95149330001 | CH part name | 中桥壳 | EN part name | Middle axle housing | RU part name | средний оси, жильё | Size:mm | 2100*415*260 | Weight:kg | 271.5 | NO. | NO.66-30 |  | <table border="1"> <tr><td>Part No.</td><td>DZ91149330027</td></tr> <tr><td>CH part name</td><td>中桥壳</td></tr> <tr><td>EN part name</td><td>Middle axle housing</td></tr> <tr><td>RU part name</td><td>средний оси, жильё</td></tr> <tr><td>Size:mm</td><td>2100*415*260</td></tr> <tr><td>Weight:kg</td><td>152.85</td></tr> <tr><td>NO.</td><td>NO.66-30</td></tr> </table> | Part No. | DZ91149330027 | CH part name | 中桥壳 | EN part name | Middle axle housing | RU part name | средний оси, жильё | Size:mm | 2100*415*260 | Weight:kg | 152.85 | NO. | NO.66-30 |
| Part No. | HD95149330001 | | | | | | | | | | | | | | | | | | | | | | | | | | | | | | |
| CH part name | 中桥壳 | | | | | | | | | | | | | | | | | | | | | | | | | | | | | | |
| EN part name | Middle axle housing | | | | | | | | | | | | | | | | | | | | | | | | | | | | | | |
| RU part name | средний оси, жильё | | | | | | | | | | | | | | | | | | | | | | | | | | | | | | |
| Size:mm | 2100*415*260 | | | | | | | | | | | | | | | | | | | | | | | | | | | | | | |
| Weight:kg | 271.5 | | | | | | | | | | | | | | | | | | | | | | | | | | | | | | |
| NO. | NO.66-30 | | | | | | | | | | | | | | | | | | | | | | | | | | | | | | |
| Part No. | DZ91149330027 | | | | | | | | | | | | | | | | | | | | | | | | | | | | | | |
| CH part name | 中桥壳 | | | | | | | | | | | | | | | | | | | | | | | | | | | | | | |
| EN part name | Middle axle housing | | | | | | | | | | | | | | | | | | | | | | | | | | | | | | |
| RU part name | средний оси, жильё | | | | | | | | | | | | | | | | | | | | | | | | | | | | | | |
| Size:mm | 2100*415*260 | | | | | | | | | | | | | | | | | | | | | | | | | | | | | | |
| Weight:kg | 152.85 | | | | | | | | | | | | | | | | | | | | | | | | | | | | | | |
| NO. | NO.66-30 | | | | | | | | | | | | | | | | | | | | | | | | | | | | | | |
| Remarks: SHACMAN F3000 F2000 X3000 M3000 8*4 6*4 HDM300 | | Remarks: SHACMAN F3000 F2000 X3000 M3000 8*4 6*4 STEYR | | | | | | | | | | | | | | | | | | | | | | | | | | | | | |
|  | <table border="1"> <tr><td>Part No.</td><td>81.35600.6264</td></tr> <tr><td>CH part name</td><td>中桥中段 i=5.262</td></tr> <tr><td>EN part name</td><td>In the middle of the bridge</td></tr> <tr><td>RU part name</td><td>В середине моста</td></tr> <tr><td>Size:mm</td><td></td></tr> <tr><td>Weight:kg</td><td>210</td></tr> <tr><td>NO.</td><td></td></tr> </table> | Part No. | 81.35600.6264 | CH part name | 中桥中段 i=5.262 | EN part name | In the middle of the bridge | RU part name | В середине моста | Size:mm | | Weight:kg | 210 | NO. | |  | <table border="1"> <tr><td>Part No.</td><td>DZ9114320214</td></tr> <tr><td>CH part name</td><td>中桥中段i=5.73</td></tr> <tr><td>EN part name</td><td>In the middle of the bridge</td></tr> <tr><td>RU part name</td><td>В середине моста</td></tr> <tr><td>Size:mm</td><td>450*450*550</td></tr> <tr><td>Weight:kg</td><td>160</td></tr> <tr><td>NO.</td><td></td></tr> </table> | Part No. | DZ9114320214 | CH part name | 中桥中段i=5.73 | EN part name | In the middle of the bridge | RU part name | В середине моста | Size:mm | 450*450*550 | Weight:kg | 160 | NO. | |
| Part No. | 81.35600.6264 | | | | | | | | | | | | | | | | | | | | | | | | | | | | | | |
| CH part name | 中桥中段 i=5.262 | | | | | | | | | | | | | | | | | | | | | | | | | | | | | | |
| EN part name | In the middle of the bridge | | | | | | | | | | | | | | | | | | | | | | | | | | | | | | |
| RU part name | В середине моста | | | | | | | | | | | | | | | | | | | | | | | | | | | | | | |
| Size:mm | | | | | | | | | | | | | | | | | | | | | | | | | | | | | | | |
| Weight:kg | 210 | | | | | | | | | | | | | | | | | | | | | | | | | | | | | | |
| NO. | | | | | | | | | | | | | | | | | | | | | | | | | | | | | | | |
| Part No. | DZ9114320214 | | | | | | | | | | | | | | | | | | | | | | | | | | | | | | |
| CH part name | 中桥中段i=5.73 | | | | | | | | | | | | | | | | | | | | | | | | | | | | | | |
| EN part name | In the middle of the bridge | | | | | | | | | | | | | | | | | | | | | | | | | | | | | | |
| RU part name | В середине моста | | | | | | | | | | | | | | | | | | | | | | | | | | | | | | |
| Size:mm | 450*450*550 | | | | | | | | | | | | | | | | | | | | | | | | | | | | | | |
| Weight:kg | 160 | | | | | | | | | | | | | | | | | | | | | | | | | | | | | | |
| NO. | | | | | | | | | | | | | | | | | | | | | | | | | | | | | | | |
| Remarks: SHACMAN F3000 F2000 X3000 M3000 8*4 6*4 HDM300 | | Remarks: SHACMAN F3000 F2000 X3000 M3000 8*4 6*4 STEYR i=6.72 | | | | | | | | | | | | | | | | | | | | | | | | | | | | | |

SHACMAN(1)

| FOOT PANEL BRACKET | | NO.98 | |
|---|---|---|-----------------------------|
|  | KD1683 | | |
| |  | | Part No. |
| | | | DZ1640240032 |
| | | | CH part name |
| | | | 右后踏板支架总成 |
| | | | EN part name |
| | | | Bracket assembly right rear |
| | | | RU part name |
| | | | кронштейн акселератора |
| | | | Size:mm |
| | | Weight:kg | |
| | | 4.15 | |
| | | NO. | |
| | | NO.98-15 | |
| Remarks: SHACMAN F3000 F2000 6*4 8*4 | | | |
| KD1684 | | | |
|  | | Part No. | |
| | | DZ1640240034 | |
| | | CH part name | |
| | | 右后踏板支架总成 | |
| | | EN part name | |
| | | Bracket assembly right rear | |
| | | RU part name | |
| | | кронштейн акселератора | |
| | | Size:mm | |
| | | Weight:kg | |
| | | 4.15 | |
| | | NO. | |
| | | NO.98-15 | |
| Remarks: SHACMAN F3000 F2000 6*4 8*4 | | | |
| KD1685 | | KD1686 | |
|  | Part No. | DZ1640240030 | Part No. |
| | CH part name | 右后踏板支架总成 | DZ1640240120 |
| | EN part name | Bracket assembly right rear | CH part name |
| | RU part name | кронштейн акселератора | 右后踏板支架总成 |
| | Size:mm | | EN part name |
| | Weight:kg | 4.15 | Bracket assembly right rear |
| | NO. | NO.98-15 | RU part name |
| | | кронштейн акселератора | |
| Remarks: SHACMAN F3000 F2000 6*4 8*4 DZ13241240080 | | Remarks: SHACMAN F3000 F2000 6*4 8*4 | |
| KD1687 | | KD1688 | |
|  | Part No. | DZ13241240070 | Part No. |
| | CH part name | 左后踏板支架总成 | 81.27421.0151 |
| | EN part name | Bracket assembly left rear | CH part name |
| | RU part name | кронштейн акселератора | 压力传感器 |
| | Size:mm | | EN part name |
| | Weight:kg | 4.15 | Sensor |
| | NO. | NO.98-3 | RU part name |
| | | датчик | |
| Remarks: SHACMAN F3000 F2000 6*4 8*4 | | Remarks: SHACMAN F3000 F2000 6*4 8*4 | |
| | |  | |
| | | Size:mm | |
| | | Weight:kg | |
| | | 0.15 | |
| | | NO. | |
| | | NO.98-39 | |

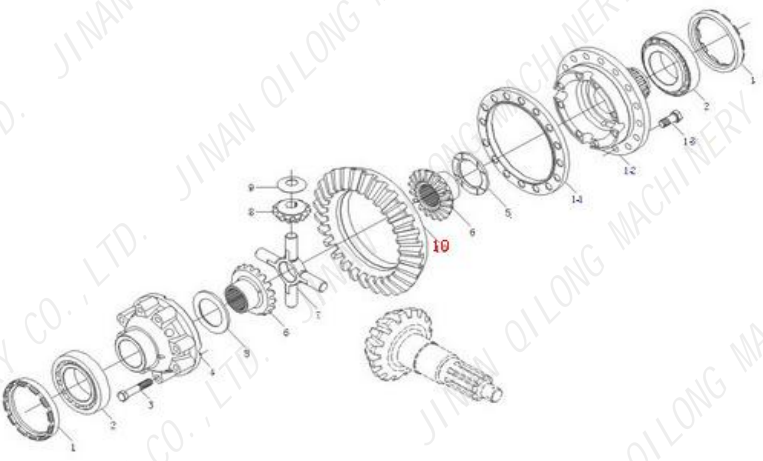
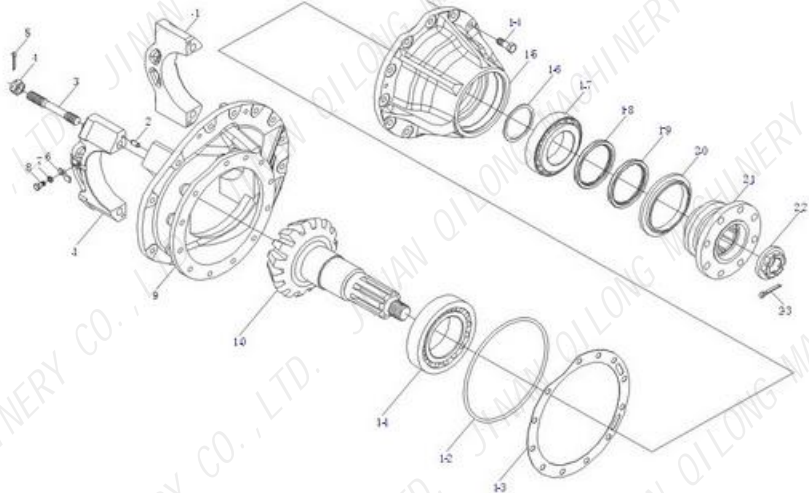




SHACMAN(1)

| REAR FENDER | | NO.99 | | | | | | | | | | | | | | | | | | | | | | | | | | | | | |
|---|--|---|--|--------------|---------------|--------------|--------------|--------------|--------------|--------------|-----------|-----------|-----|-----------|-----------------|---|---|----------|---------------|--------------|----------|--------------|------------|--------------|-----------|---------|--|-----------|-----|-----|--------------|
|  | | KD1689 | | | | | | | | | | | | | | | | | | | | | | | | | | | | | |
| | |  | <table border="1"> <tr><td>Part No.</td><td>81.41890.0044</td></tr> <tr><td>CH part name</td><td>支架</td></tr> <tr><td>EN part name</td><td>Support</td></tr> <tr><td>RU part name</td><td>поддержка</td></tr> <tr><td>Size:mm</td><td></td></tr> <tr><td>Weight:kg</td><td>0.35</td></tr> <tr><td>NO.</td><td>NO.98-36</td></tr> </table> | Part No. | 81.41890.0044 | CH part name | 支架 | EN part name | Support | RU part name | поддержка | Size:mm | | Weight:kg | 0.35 | NO. | NO.98-36 | | | | | | | | | | | | | | |
| | | Part No. | 81.41890.0044 | | | | | | | | | | | | | | | | | | | | | | | | | | | | |
| | | CH part name | 支架 | | | | | | | | | | | | | | | | | | | | | | | | | | | | |
| EN part name | Support | | | | | | | | | | | | | | | | | | | | | | | | | | | | | | |
| RU part name | поддержка | | | | | | | | | | | | | | | | | | | | | | | | | | | | | | |
| Size:mm | | | | | | | | | | | | | | | | | | | | | | | | | | | | | | | |
| Weight:kg | 0.35 | | | | | | | | | | | | | | | | | | | | | | | | | | | | | | |
| NO. | NO.98-36 | | | | | | | | | | | | | | | | | | | | | | | | | | | | | | |
| Remarks:SHACMAN F3000 F2000 6*4 8*4 | | | | | | | | | | | | | | | | | | | | | | | | | | | | | | | |
| | | KD1690 | | | | | | | | | | | | | | | | | | | | | | | | | | | | | |
|  | |  | <table border="1"> <tr><td>Part No.</td><td>DZ9112952069</td></tr> <tr><td>CH part name</td><td>挡泥板</td></tr> <tr><td>EN part name</td><td>Mudguard</td></tr> <tr><td>RU part name</td><td>брызговик</td></tr> <tr><td>Size:mm</td><td></td></tr> <tr><td>Weight:kg</td><td>0.2</td></tr> <tr><td>NO.</td><td>NO.99-2</td></tr> </table> | Part No. | DZ9112952069 | CH part name | 挡泥板 | EN part name | Mudguard | RU part name | брызговик | Size:mm | | Weight:kg | 0.2 | NO. | NO.99-2 | | | | | | | | | | | | | | |
| | | Part No. | DZ9112952069 | | | | | | | | | | | | | | | | | | | | | | | | | | | | |
| | | CH part name | 挡泥板 | | | | | | | | | | | | | | | | | | | | | | | | | | | | |
| | | EN part name | Mudguard | | | | | | | | | | | | | | | | | | | | | | | | | | | | |
| RU part name | брызговик | | | | | | | | | | | | | | | | | | | | | | | | | | | | | | |
| Size:mm | | | | | | | | | | | | | | | | | | | | | | | | | | | | | | | |
| Weight:kg | 0.2 | | | | | | | | | | | | | | | | | | | | | | | | | | | | | | |
| NO. | NO.99-2 | | | | | | | | | | | | | | | | | | | | | | | | | | | | | | |
| Remarks: SHACMAN F3000 F2000 6*4 8*4 | | | | | | | | | | | | | | | | | | | | | | | | | | | | | | | |
| KD1691 | | KD1692 | | | | | | | | | | | | | | | | | | | | | | | | | | | | | |
|  | <table border="1"> <tr><td>Part No.</td><td>DZ9112952066</td></tr> <tr><td>CH part name</td><td>前翼子板总成</td></tr> <tr><td>EN part name</td><td>Front frnder</td></tr> <tr><td>RU part name</td><td>фронт frnder</td></tr> <tr><td>Size:mm</td><td></td></tr> <tr><td>Weight:kg</td><td>4.8</td></tr> <tr><td>NO.</td><td>NO.99-14</td></tr> </table> | Part No. | DZ9112952066 | CH part name | 前翼子板总成 | EN part name | Front frnder | RU part name | фронт frnder | Size:mm | | Weight:kg | 4.8 | NO. | NO.99-14 |  | <table border="1"> <tr><td>Part No.</td><td>DZ95259959130</td></tr> <tr><td>CH part name</td><td>上挡泥板</td></tr> <tr><td>EN part name</td><td>The fender</td></tr> <tr><td>RU part name</td><td>брызговик</td></tr> <tr><td>Size:mm</td><td></td></tr> <tr><td>Weight:kg</td><td>2.7</td></tr> <tr><td>NO.</td><td>NO.99</td></tr> </table> | Part No. | DZ95259959130 | CH part name | 上挡泥板 | EN part name | The fender | RU part name | брызговик | Size:mm | | Weight:kg | 2.7 | NO. | NO.99 |
| Part No. | DZ9112952066 | | | | | | | | | | | | | | | | | | | | | | | | | | | | | | |
| CH part name | 前翼子板总成 | | | | | | | | | | | | | | | | | | | | | | | | | | | | | | |
| EN part name | Front frnder | | | | | | | | | | | | | | | | | | | | | | | | | | | | | | |
| RU part name | фронт frnder | | | | | | | | | | | | | | | | | | | | | | | | | | | | | | |
| Size:mm | | | | | | | | | | | | | | | | | | | | | | | | | | | | | | | |
| Weight:kg | 4.8 | | | | | | | | | | | | | | | | | | | | | | | | | | | | | | |
| NO. | NO.99-14 | | | | | | | | | | | | | | | | | | | | | | | | | | | | | | |
| Part No. | DZ95259959130 | | | | | | | | | | | | | | | | | | | | | | | | | | | | | | |
| CH part name | 上挡泥板 | | | | | | | | | | | | | | | | | | | | | | | | | | | | | | |
| EN part name | The fender | | | | | | | | | | | | | | | | | | | | | | | | | | | | | | |
| RU part name | брызговик | | | | | | | | | | | | | | | | | | | | | | | | | | | | | | |
| Size:mm | | | | | | | | | | | | | | | | | | | | | | | | | | | | | | | |
| Weight:kg | 2.7 | | | | | | | | | | | | | | | | | | | | | | | | | | | | | | |
| NO. | NO.99 | | | | | | | | | | | | | | | | | | | | | | | | | | | | | | |
| Remarks: SHACMAN F3000 F2000 6*4 8*4 | | Remarks: SHACMAN F2000 F3000 | | | | | | | | | | | | | | | | | | | | | | | | | | | | | |
| KD1693 | | KD1694 | | | | | | | | | | | | | | | | | | | | | | | | | | | | | |
|  | <table border="1"> <tr><td>Part No.</td><td>DZ9112952065</td></tr> <tr><td>CH part name</td><td>后翼子板总成</td></tr> <tr><td>EN part name</td><td>Rear fender</td></tr> <tr><td>RU part name</td><td>заднее крыло</td></tr> <tr><td>Size:mm</td><td></td></tr> <tr><td>Weight:kg</td><td>4.8</td></tr> <tr><td>NO.</td><td>NO.99-5</td></tr> </table> | Part No. | DZ9112952065 | CH part name | 后翼子板总成 | EN part name | Rear fender | RU part name | заднее крыло | Size:mm | | Weight:kg | 4.8 | NO. | NO.99-5 |  | <table border="1"> <tr><td>Part No.</td><td>81.66410.0086</td></tr> <tr><td>CH part name</td><td>整体圆弧式挡泥板</td></tr> <tr><td>EN part name</td><td>The fender</td></tr> <tr><td>RU part name</td><td>брызговик</td></tr> <tr><td>Size:mm</td><td></td></tr> <tr><td>Weight:kg</td><td>3.2</td></tr> <tr><td>NO.</td><td>NO.99</td></tr> </table> | Part No. | 81.66410.0086 | CH part name | 整体圆弧式挡泥板 | EN part name | The fender | RU part name | брызговик | Size:mm | | Weight:kg | 3.2 | NO. | NO.99 |
| Part No. | DZ9112952065 | | | | | | | | | | | | | | | | | | | | | | | | | | | | | | |
| CH part name | 后翼子板总成 | | | | | | | | | | | | | | | | | | | | | | | | | | | | | | |
| EN part name | Rear fender | | | | | | | | | | | | | | | | | | | | | | | | | | | | | | |
| RU part name | заднее крыло | | | | | | | | | | | | | | | | | | | | | | | | | | | | | | |
| Size:mm | | | | | | | | | | | | | | | | | | | | | | | | | | | | | | | |
| Weight:kg | 4.8 | | | | | | | | | | | | | | | | | | | | | | | | | | | | | | |
| NO. | NO.99-5 | | | | | | | | | | | | | | | | | | | | | | | | | | | | | | |
| Part No. | 81.66410.0086 | | | | | | | | | | | | | | | | | | | | | | | | | | | | | | |
| CH part name | 整体圆弧式挡泥板 | | | | | | | | | | | | | | | | | | | | | | | | | | | | | | |
| EN part name | The fender | | | | | | | | | | | | | | | | | | | | | | | | | | | | | | |
| RU part name | брызговик | | | | | | | | | | | | | | | | | | | | | | | | | | | | | | |
| Size:mm | | | | | | | | | | | | | | | | | | | | | | | | | | | | | | | |
| Weight:kg | 3.2 | | | | | | | | | | | | | | | | | | | | | | | | | | | | | | |
| NO. | NO.99 | | | | | | | | | | | | | | | | | | | | | | | | | | | | | | |
| Remarks: SHACMAN F3000 F2000 6*4 8*4 | | Remarks: SHACMAN F2000 F3000 | | | | | | | | | | | | | | | | | | | | | | | | | | | | | |

SHACMAN(1)

| | | | | | | | | | | | | | | | | | | | | | | | | | | | | | | | |
|---|---|--|--------------|--------------|-------------|--------------|--------------------------|--------------|---------------------------|---------|-----------|-----------|------|-----|------------------|---|---|----------|--------------|--------------|-------------|--------------|----------------------------|--------------|--------------------------------|---------|-------------|-----------|------|-----|---------------------|
|  | <table border="1"> <tr><td>Part No.</td><td>DZ9112330038</td></tr> <tr><td>CH part name</td><td>前驱动桥壳</td></tr> <tr><td>EN part name</td><td>Front drive axle housing</td></tr> <tr><td>RU part name</td><td>ередний привод оси, жилье</td></tr> <tr><td>Size:mm</td><td></td></tr> <tr><td>Weight:kg</td><td></td></tr> <tr><td>NO.</td><td>NO.61-19</td></tr> </table> | Part No. | DZ9112330038 | CH part name | 前驱动桥壳 | EN part name | Front drive axle housing | RU part name | ередний привод оси, жилье | Size:mm | | Weight:kg | | NO. | NO.61-19 |  | <table border="1"> <tr><td>Part No.</td><td>199000330006</td></tr> <tr><td>CH part name</td><td>通气口</td></tr> <tr><td>EN part name</td><td>Air vent assembly</td></tr> <tr><td>RU part name</td><td>вытяжка ассамблеи</td></tr> <tr><td>Size:mm</td><td></td></tr> <tr><td>Weight:kg</td><td>0.1</td></tr> <tr><td>NO.</td><td>NO.61-18</td></tr> </table> | Part No. | 199000330006 | CH part name | 通气口 | EN part name | Air vent assembly | RU part name | вытяжка ассамблеи | Size:mm | | Weight:kg | 0.1 | NO. | NO.61-18 |
| Part No. | DZ9112330038 | | | | | | | | | | | | | | | | | | | | | | | | | | | | | | |
| CH part name | 前驱动桥壳 | | | | | | | | | | | | | | | | | | | | | | | | | | | | | | |
| EN part name | Front drive axle housing | | | | | | | | | | | | | | | | | | | | | | | | | | | | | | |
| RU part name | ередний привод оси, жилье | | | | | | | | | | | | | | | | | | | | | | | | | | | | | | |
| Size:mm | | | | | | | | | | | | | | | | | | | | | | | | | | | | | | | |
| Weight:kg | | | | | | | | | | | | | | | | | | | | | | | | | | | | | | | |
| NO. | NO.61-19 | | | | | | | | | | | | | | | | | | | | | | | | | | | | | | |
| Part No. | 199000330006 | | | | | | | | | | | | | | | | | | | | | | | | | | | | | | |
| CH part name | 通气口 | | | | | | | | | | | | | | | | | | | | | | | | | | | | | | |
| EN part name | Air vent assembly | | | | | | | | | | | | | | | | | | | | | | | | | | | | | | |
| RU part name | вытяжка ассамблеи | | | | | | | | | | | | | | | | | | | | | | | | | | | | | | |
| Size:mm | | | | | | | | | | | | | | | | | | | | | | | | | | | | | | | |
| Weight:kg | 0.1 | | | | | | | | | | | | | | | | | | | | | | | | | | | | | | |
| NO. | NO.61-18 | | | | | | | | | | | | | | | | | | | | | | | | | | | | | | |
| Remarks: SHACMAN F3000 F2000 X3000 M3000 8*4 199112410075 | | Remarks: SHACMAN F3000 F2000 X3000 M3000 | | | | | | | | | | | | | | | | | | | | | | | | | | | | | |
|  | <table border="1"> <tr><td>Part No.</td><td>199100410006</td></tr> <tr><td>CH part name</td><td>转向节销</td></tr> <tr><td>EN part name</td><td>Steering knuckle pin</td></tr> <tr><td>RU part name</td><td>Шкворень</td></tr> <tr><td>Size:mm</td><td>106*47*45</td></tr> <tr><td>Weight:kg</td><td>0.95</td></tr> <tr><td>NO.</td><td>NO.A61-39</td></tr> </table> | Part No. | 199100410006 | CH part name | 转向节销 | EN part name | Steering knuckle pin | RU part name | Шкворень | Size:mm | 106*47*45 | Weight:kg | 0.95 | NO. | NO.A61-39 |  | <table border="1"> <tr><td>Part No.</td><td>199100410003</td></tr> <tr><td>CH part name</td><td>转向节销</td></tr> <tr><td>EN part name</td><td>Steering knuckle pin</td></tr> <tr><td>RU part name</td><td>Шкворень</td></tr> <tr><td>Size:mm</td><td>88*45*41.5</td></tr> <tr><td>Weight:kg</td><td>0.95</td></tr> <tr><td>NO.</td><td>NO.A61-39</td></tr> </table> | Part No. | 199100410003 | CH part name | 转向节销 | EN part name | Steering knuckle pin | RU part name | Шкворень | Size:mm | 88*45*41.5 | Weight:kg | 0.95 | NO. | NO.A61-39 |
| Part No. | 199100410006 | | | | | | | | | | | | | | | | | | | | | | | | | | | | | | |
| CH part name | 转向节销 | | | | | | | | | | | | | | | | | | | | | | | | | | | | | | |
| EN part name | Steering knuckle pin | | | | | | | | | | | | | | | | | | | | | | | | | | | | | | |
| RU part name | Шкворень | | | | | | | | | | | | | | | | | | | | | | | | | | | | | | |
| Size:mm | 106*47*45 | | | | | | | | | | | | | | | | | | | | | | | | | | | | | | |
| Weight:kg | 0.95 | | | | | | | | | | | | | | | | | | | | | | | | | | | | | | |
| NO. | NO.A61-39 | | | | | | | | | | | | | | | | | | | | | | | | | | | | | | |
| Part No. | 199100410003 | | | | | | | | | | | | | | | | | | | | | | | | | | | | | | |
| CH part name | 转向节销 | | | | | | | | | | | | | | | | | | | | | | | | | | | | | | |
| EN part name | Steering knuckle pin | | | | | | | | | | | | | | | | | | | | | | | | | | | | | | |
| RU part name | Шкворень | | | | | | | | | | | | | | | | | | | | | | | | | | | | | | |
| Size:mm | 88*45*41.5 | | | | | | | | | | | | | | | | | | | | | | | | | | | | | | |
| Weight:kg | 0.95 | | | | | | | | | | | | | | | | | | | | | | | | | | | | | | |
| NO. | NO.A61-39 | | | | | | | | | | | | | | | | | | | | | | | | | | | | | | |
| Remarks: SHACMAN F3000 F2000 X3000 M3000 8*4 | | Remarks: SHACMAN F3000 F2000 X3000 M3000 8*4 | | | | | | | | | | | | | | | | | | | | | | | | | | | | | |
|  | <table border="1"> <tr><td>Part No.</td><td>190003326547</td></tr> <tr><td>CH part name</td><td>圆锥滚子轴承32315</td></tr> <tr><td>EN part name</td><td>Bearing</td></tr> <tr><td>RU part name</td><td>Подшипник</td></tr> <tr><td>Size:mm</td><td>140*80*35</td></tr> <tr><td>Weight:kg</td><td>4.3</td></tr> <tr><td>NO.</td><td>NO.A62-11</td></tr> </table> | Part No. | 190003326547 | CH part name | 圆锥滚子轴承32315 | EN part name | Bearing | RU part name | Подшипник | Size:mm | 140*80*35 | Weight:kg | 4.3 | NO. | NO.A62-11 |  | <table border="1"> <tr><td>Part No.</td><td>DZ9114420671</td></tr> <tr><td>CH part name</td><td>锥齿轮副i=5.73前</td></tr> <tr><td>EN part name</td><td>Bevel gear pair 5.73 front</td></tr> <tr><td>RU part name</td><td>редукторы лова пара 5.73 фронт</td></tr> <tr><td>Size:mm</td><td>300*310*250</td></tr> <tr><td>Weight:kg</td><td>22.9</td></tr> <tr><td>NO.</td><td>NO.62-A62-10</td></tr> </table> | Part No. | DZ9114420671 | CH part name | 锥齿轮副i=5.73前 | EN part name | Bevel gear pair 5.73 front | RU part name | редукторы лова пара 5.73 фронт | Size:mm | 300*310*250 | Weight:kg | 22.9 | NO. | NO.62-A62-10 |
| Part No. | 190003326547 | | | | | | | | | | | | | | | | | | | | | | | | | | | | | | |
| CH part name | 圆锥滚子轴承32315 | | | | | | | | | | | | | | | | | | | | | | | | | | | | | | |
| EN part name | Bearing | | | | | | | | | | | | | | | | | | | | | | | | | | | | | | |
| RU part name | Подшипник | | | | | | | | | | | | | | | | | | | | | | | | | | | | | | |
| Size:mm | 140*80*35 | | | | | | | | | | | | | | | | | | | | | | | | | | | | | | |
| Weight:kg | 4.3 | | | | | | | | | | | | | | | | | | | | | | | | | | | | | | |
| NO. | NO.A62-11 | | | | | | | | | | | | | | | | | | | | | | | | | | | | | | |
| Part No. | DZ9114420671 | | | | | | | | | | | | | | | | | | | | | | | | | | | | | | |
| CH part name | 锥齿轮副i=5.73前 | | | | | | | | | | | | | | | | | | | | | | | | | | | | | | |
| EN part name | Bevel gear pair 5.73 front | | | | | | | | | | | | | | | | | | | | | | | | | | | | | | |
| RU part name | редукторы лова пара 5.73 фронт | | | | | | | | | | | | | | | | | | | | | | | | | | | | | | |
| Size:mm | 300*310*250 | | | | | | | | | | | | | | | | | | | | | | | | | | | | | | |
| Weight:kg | 22.9 | | | | | | | | | | | | | | | | | | | | | | | | | | | | | | |
| NO. | NO.62-A62-10 | | | | | | | | | | | | | | | | | | | | | | | | | | | | | | |
| Remarks: SHACMAN F3000 F2000 X3000 M3000 8*4 6*4 i=6.72/7.49/8.40/9.49 | | Remarks: SHACMAN F3000 F2000 X3000 M3000 8*4 i=6.72/4.8/7.49/8.40/9.49 | | | | | | | | | | | | | | | | | | | | | | | | | | | | | |
|  | <table border="1"> <tr><td>Part No.</td><td>90003326546</td></tr> <tr><td>CH part name</td><td>圆锥滚子轴承32316</td></tr> <tr><td>EN part name</td><td>Bearing</td></tr> <tr><td>RU part name</td><td>Подшипник</td></tr> <tr><td>Size:mm</td><td>140*80*35</td></tr> <tr><td>Weight:kg</td><td>4.3</td></tr> <tr><td>NO.</td><td>NO.A62-11</td></tr> </table> | Part No. | 90003326546 | CH part name | 圆锥滚子轴承32316 | EN part name | Bearing | RU part name | Подшипник | Size:mm | 140*80*35 | Weight:kg | 4.3 | NO. | NO.A62-11 |  | <table border="1"> <tr><td>Part No.</td><td>199012320121</td></tr> <tr><td>CH part name</td><td>环 (油封座)</td></tr> <tr><td>EN part name</td><td>Ring</td></tr> <tr><td>RU part name</td><td>кольцо</td></tr> <tr><td>Size:mm</td><td></td></tr> <tr><td>Weight:kg</td><td>0.4</td></tr> <tr><td>NO.</td><td>NO.A62-20</td></tr> </table> | Part No. | 199012320121 | CH part name | 环 (油封座) | EN part name | Ring | RU part name | кольцо | Size:mm | | Weight:kg | 0.4 | NO. | NO.A62-20 |
| Part No. | 90003326546 | | | | | | | | | | | | | | | | | | | | | | | | | | | | | | |
| CH part name | 圆锥滚子轴承32316 | | | | | | | | | | | | | | | | | | | | | | | | | | | | | | |
| EN part name | Bearing | | | | | | | | | | | | | | | | | | | | | | | | | | | | | | |
| RU part name | Подшипник | | | | | | | | | | | | | | | | | | | | | | | | | | | | | | |
| Size:mm | 140*80*35 | | | | | | | | | | | | | | | | | | | | | | | | | | | | | | |
| Weight:kg | 4.3 | | | | | | | | | | | | | | | | | | | | | | | | | | | | | | |
| NO. | NO.A62-11 | | | | | | | | | | | | | | | | | | | | | | | | | | | | | | |
| Part No. | 199012320121 | | | | | | | | | | | | | | | | | | | | | | | | | | | | | | |
| CH part name | 环 (油封座) | | | | | | | | | | | | | | | | | | | | | | | | | | | | | | |
| EN part name | Ring | | | | | | | | | | | | | | | | | | | | | | | | | | | | | | |
| RU part name | кольцо | | | | | | | | | | | | | | | | | | | | | | | | | | | | | | |
| Size:mm | | | | | | | | | | | | | | | | | | | | | | | | | | | | | | | |
| Weight:kg | 0.4 | | | | | | | | | | | | | | | | | | | | | | | | | | | | | | |
| NO. | NO.A62-20 | | | | | | | | | | | | | | | | | | | | | | | | | | | | | | |
| Remarks: SHACMAN F3000 F2000 X3000 M3000 8*4 6*4 i=4.8 | | Remarks: SHACMAN F3000 F2000 X3000 M3000 8*4 6*4 | | | | | | | | | | | | | | | | | | | | | | | | | | | | | |

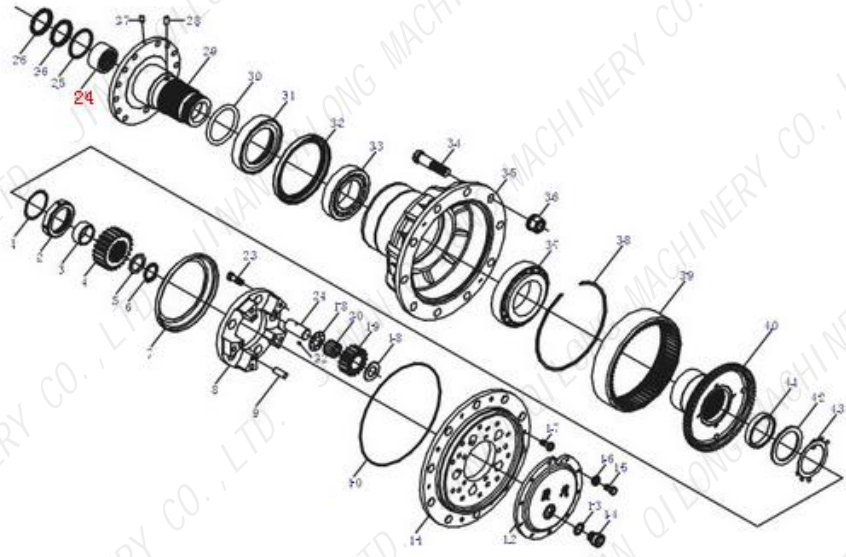
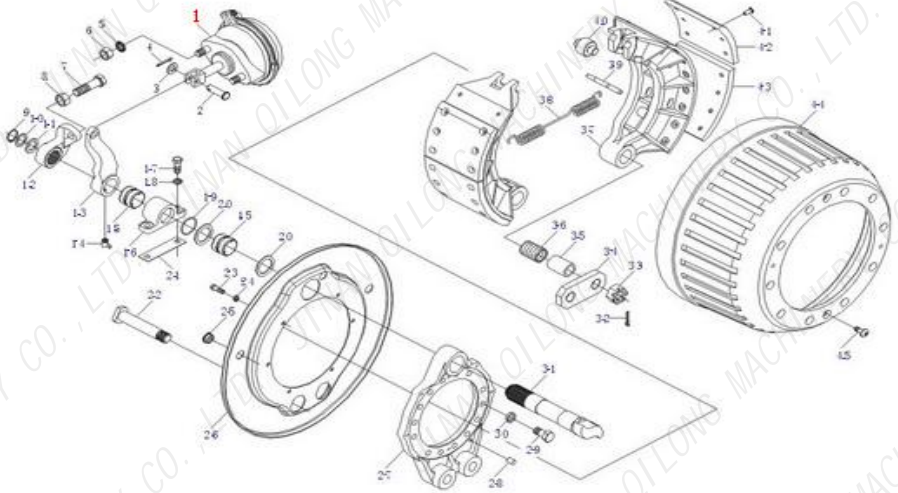




SHACMAN(1)

| Front drive axle | | NO.62 | Front drive axle | | NO.A62 |
|---|--------------|--------------------------|---|--------------|----------------------|
|  | | |  | | |
| KD1129 | | | KD1130 | | |
|  | Part No. | 199012320103 |  | Part No. | 190003326236 |
| | CH part name | 轴承座 | | CH part name | 圆锥滚子轴承30312 |
| | EN part name | Bearing seat | | EN part name | Bearing |
| | RU part name | с места | | RU part name | Подшипник |
| | Size:mm | | | Size:mm | 60*130*31.5 |
| | Weight:kg | 21 | | Weight:kg | 2.9 |
| | NO. | NO.A62-3 | | NO. | NO.A62-17 |
| Remarks: SHACMAN F3000 F2000 X3000 M3000 8*4 6*4 i=6.72/5.73 | | | Remarks: SHACMAN F3000 F2000 X3000 M3000 8*4 6*4 (7312K) | | |
| KD1131 | | | KD1132 | | |
|  | Part No. | DZ91149320000 |  | Part No. | 99012320173-76 |
| | CH part name | 主减速器壳 | | CH part name | 调整垫片 |
| | EN part name | Main drive housing | | EN part name | Adjusting washer |
| | RU part name | основной двигатель жилья | | RU part name | корректировки машины |
| | Size:mm | | | Size:mm | |
| | Weight:kg | 25 | | Weight:kg | 0.01 |
| | NO. | NO.A62-9 | | NO. | NO.A62-13 |
| Remarks: SHACMAN F3000 F2000 X3000 M3000 8*4 6*4 199012320097 | | | Remarks: SHACMAN F3000 F2000 X3000 M3000 8*4 6*4 | | |









SHACMAN(1)

| | | | | | | | | | | | | | | | | | | | | | | | | | | | | | | | |
|---|---|--|------------------|--------------|----------|--------------|------------------------|--------------|----------------------------|---------|-------------|-----------|-------|-----|------------------|---|---|----------|---------------|--------------|----------|--------------|----------------------|--------------|--------------------------------|---------|-------------|-----------|------|-----|---------------------|
|  | <table border="1"> <tr><td>Part No.</td><td>199012320110</td></tr> <tr><td>CH part name</td><td>凸缘(STR)</td></tr> <tr><td>EN part name</td><td>Flange assembly(φ=165)</td></tr> <tr><td>RU part name</td><td>фланец ассамблеи (φ = 165)</td></tr> <tr><td>Size:mm</td><td>165*165*8</td></tr> <tr><td>Weight:kg</td><td>3.2</td></tr> <tr><td>NO.</td><td>NO.A62-21</td></tr> </table> | Part No. | 199012320110 | CH part name | 凸缘(STR) | EN part name | Flange assembly(φ=165) | RU part name | фланец ассамблеи (φ = 165) | Size:mm | 165*165*8 | Weight:kg | 3.2 | NO. | NO.A62-21 |  | <table border="1"> <tr><td>Part No.</td><td>DZ9114320902</td></tr> <tr><td>CH part name</td><td>油封一体</td></tr> <tr><td>EN part name</td><td>Axle seal ring</td></tr> <tr><td>RU part name</td><td>ось перстнем</td></tr> <tr><td>Size:mm</td><td>85*105*18</td></tr> <tr><td>Weight:kg</td><td>0.11</td></tr> <tr><td>NO.</td><td>NO.A62-18-19</td></tr> </table> | Part No. | DZ9114320902 | CH part name | 油封一体 | EN part name | Axle seal ring | RU part name | ось перстнем | Size:mm | 85*105*18 | Weight:kg | 0.11 | NO. | NO.A62-18-19 |
| Part No. | 199012320110 | | | | | | | | | | | | | | | | | | | | | | | | | | | | | | |
| CH part name | 凸缘(STR) | | | | | | | | | | | | | | | | | | | | | | | | | | | | | | |
| EN part name | Flange assembly(φ=165) | | | | | | | | | | | | | | | | | | | | | | | | | | | | | | |
| RU part name | фланец ассамблеи (φ = 165) | | | | | | | | | | | | | | | | | | | | | | | | | | | | | | |
| Size:mm | 165*165*8 | | | | | | | | | | | | | | | | | | | | | | | | | | | | | | |
| Weight:kg | 3.2 | | | | | | | | | | | | | | | | | | | | | | | | | | | | | | |
| NO. | NO.A62-21 | | | | | | | | | | | | | | | | | | | | | | | | | | | | | | |
| Part No. | DZ9114320902 | | | | | | | | | | | | | | | | | | | | | | | | | | | | | | |
| CH part name | 油封一体 | | | | | | | | | | | | | | | | | | | | | | | | | | | | | | |
| EN part name | Axle seal ring | | | | | | | | | | | | | | | | | | | | | | | | | | | | | | |
| RU part name | ось перстнем | | | | | | | | | | | | | | | | | | | | | | | | | | | | | | |
| Size:mm | 85*105*18 | | | | | | | | | | | | | | | | | | | | | | | | | | | | | | |
| Weight:kg | 0.11 | | | | | | | | | | | | | | | | | | | | | | | | | | | | | | |
| NO. | NO.A62-18-19 | | | | | | | | | | | | | | | | | | | | | | | | | | | | | | |
| Remarks: SHACMAN F3000 F2000 X3000 M3000 8*4 6*4 | | Remarks: SHACMAN F3000 F2000 X3000 M3000 8*4 6*4 | | | | | | | | | | | | | | | | | | | | | | | | | | | | | |
|  | <table border="1"> <tr><td>Part No.</td><td>99112320030/0184</td></tr> <tr><td>CH part name</td><td>主减速器内外油封</td></tr> <tr><td>EN part name</td><td>Axle seal ring</td></tr> <tr><td>RU part name</td><td>ось перстнем</td></tr> <tr><td>Size:mm</td><td>110*110*1</td></tr> <tr><td>Weight:kg</td><td>0.052</td></tr> <tr><td>NO.</td><td>NO.A62-18</td></tr> </table> | Part No. | 99112320030/0184 | CH part name | 主减速器内外油封 | EN part name | Axle seal ring | RU part name | ось перстнем | Size:mm | 110*110*1 | Weight:kg | 0.052 | NO. | NO.A62-18 |  | <table border="1"> <tr><td>Part No.</td><td>199012320198</td></tr> <tr><td>CH part name</td><td>前后桥差速器壳</td></tr> <tr><td>EN part name</td><td>differential carrier</td></tr> <tr><td>RU part name</td><td>дифференцированный перевозчика</td></tr> <tr><td>Size:mm</td><td>265*255*255</td></tr> <tr><td>Weight:kg</td><td>16.8</td></tr> <tr><td>NO.</td><td>NO.62-4-12</td></tr> </table> | Part No. | 199012320198 | CH part name | 前后桥差速器壳 | EN part name | differential carrier | RU part name | дифференцированный перевозчика | Size:mm | 265*255*255 | Weight:kg | 16.8 | NO. | NO.62-4-12 |
| Part No. | 99112320030/0184 | | | | | | | | | | | | | | | | | | | | | | | | | | | | | | |
| CH part name | 主减速器内外油封 | | | | | | | | | | | | | | | | | | | | | | | | | | | | | | |
| EN part name | Axle seal ring | | | | | | | | | | | | | | | | | | | | | | | | | | | | | | |
| RU part name | ось перстнем | | | | | | | | | | | | | | | | | | | | | | | | | | | | | | |
| Size:mm | 110*110*1 | | | | | | | | | | | | | | | | | | | | | | | | | | | | | | |
| Weight:kg | 0.052 | | | | | | | | | | | | | | | | | | | | | | | | | | | | | | |
| NO. | NO.A62-18 | | | | | | | | | | | | | | | | | | | | | | | | | | | | | | |
| Part No. | 199012320198 | | | | | | | | | | | | | | | | | | | | | | | | | | | | | | |
| CH part name | 前后桥差速器壳 | | | | | | | | | | | | | | | | | | | | | | | | | | | | | | |
| EN part name | differential carrier | | | | | | | | | | | | | | | | | | | | | | | | | | | | | | |
| RU part name | дифференцированный перевозчика | | | | | | | | | | | | | | | | | | | | | | | | | | | | | | |
| Size:mm | 265*255*255 | | | | | | | | | | | | | | | | | | | | | | | | | | | | | | |
| Weight:kg | 16.8 | | | | | | | | | | | | | | | | | | | | | | | | | | | | | | |
| NO. | NO.62-4-12 | | | | | | | | | | | | | | | | | | | | | | | | | | | | | | |
| Remarks: SHACMAN F3000 F2000 X3000 M3000 8*4 6*4 | | Remarks: SHACMAN F3000 F2000 X3000 M3000 8*4 6*4 | | | | | | | | | | | | | | | | | | | | | | | | | | | | | |
|  | <table border="1"> <tr><td>Part No.</td><td>168000340013</td></tr> <tr><td>CH part name</td><td>桥壳螺母</td></tr> <tr><td>EN part name</td><td>Circle nut</td></tr> <tr><td>RU part name</td><td>круг ореха</td></tr> <tr><td>Size:mm</td><td></td></tr> <tr><td>Weight:kg</td><td>0.2</td></tr> <tr><td>NO.</td><td>NO.63-2</td></tr> </table> | Part No. | 168000340013 | CH part name | 桥壳螺母 | EN part name | Circle nut | RU part name | круг ореха | Size:mm | | Weight:kg | 0.2 | NO. | NO.63-2 |  | <table border="1"> <tr><td>Part No.</td><td>199012320198Z</td></tr> <tr><td>CH part name</td><td>前后桥差速器总成</td></tr> <tr><td>EN part name</td><td>Diff. assy.</td></tr> <tr><td>RU part name</td><td>Дифференциал в сборе</td></tr> <tr><td>Size:mm</td><td>265*255*255</td></tr> <tr><td>Weight:kg</td><td>23.1</td></tr> <tr><td>NO.</td><td>NO.62-4-12</td></tr> </table> | Part No. | 199012320198Z | CH part name | 前后桥差速器总成 | EN part name | Diff. assy. | RU part name | Дифференциал в сборе | Size:mm | 265*255*255 | Weight:kg | 23.1 | NO. | NO.62-4-12 |
| Part No. | 168000340013 | | | | | | | | | | | | | | | | | | | | | | | | | | | | | | |
| CH part name | 桥壳螺母 | | | | | | | | | | | | | | | | | | | | | | | | | | | | | | |
| EN part name | Circle nut | | | | | | | | | | | | | | | | | | | | | | | | | | | | | | |
| RU part name | круг ореха | | | | | | | | | | | | | | | | | | | | | | | | | | | | | | |
| Size:mm | | | | | | | | | | | | | | | | | | | | | | | | | | | | | | | |
| Weight:kg | 0.2 | | | | | | | | | | | | | | | | | | | | | | | | | | | | | | |
| NO. | NO.63-2 | | | | | | | | | | | | | | | | | | | | | | | | | | | | | | |
| Part No. | 199012320198Z | | | | | | | | | | | | | | | | | | | | | | | | | | | | | | |
| CH part name | 前后桥差速器总成 | | | | | | | | | | | | | | | | | | | | | | | | | | | | | | |
| EN part name | Diff. assy. | | | | | | | | | | | | | | | | | | | | | | | | | | | | | | |
| RU part name | Дифференциал в сборе | | | | | | | | | | | | | | | | | | | | | | | | | | | | | | |
| Size:mm | 265*255*255 | | | | | | | | | | | | | | | | | | | | | | | | | | | | | | |
| Weight:kg | 23.1 | | | | | | | | | | | | | | | | | | | | | | | | | | | | | | |
| NO. | NO.62-4-12 | | | | | | | | | | | | | | | | | | | | | | | | | | | | | | |
| Remarks: SHACMAN F3000 F2000 X3000 M3000 8*4 6*4 | | Remarks: SHACMAN F3000 F2000 X3000 M3000 8*4 6*4 | | | | | | | | | | | | | | | | | | | | | | | | | | | | | |
|  | <table border="1"> <tr><td>Part No.</td><td>199112340021</td></tr> <tr><td>CH part name</td><td>齿圈支架</td></tr> <tr><td>EN part name</td><td>Ring gear Bracket</td></tr> <tr><td>RU part name</td><td>передача от кольца</td></tr> <tr><td>Size:mm</td><td>300*300*130</td></tr> <tr><td>Weight:kg</td><td>4</td></tr> <tr><td>NO.</td><td>NO.63-40</td></tr> </table> | Part No. | 199112340021 | CH part name | 齿圈支架 | EN part name | Ring gear Bracket | RU part name | передача от кольца | Size:mm | 300*300*130 | Weight:kg | 4 | NO. | NO.63-40 |  | <table border="1"> <tr><td>Part No.</td><td>199000420049</td></tr> <tr><td>CH part name</td><td>内齿圈</td></tr> <tr><td>EN part name</td><td>Ring gear</td></tr> <tr><td>RU part name</td><td>Шестерня бортового редуктора</td></tr> <tr><td>Size:mm</td><td></td></tr> <tr><td>Weight:kg</td><td>3.5</td></tr> <tr><td>NO.</td><td>NO.63-39</td></tr> </table> | Part No. | 199000420049 | CH part name | 内齿圈 | EN part name | Ring gear | RU part name | Шестерня бортового редуктора | Size:mm | | Weight:kg | 3.5 | NO. | NO.63-39 |
| Part No. | 199112340021 | | | | | | | | | | | | | | | | | | | | | | | | | | | | | | |
| CH part name | 齿圈支架 | | | | | | | | | | | | | | | | | | | | | | | | | | | | | | |
| EN part name | Ring gear Bracket | | | | | | | | | | | | | | | | | | | | | | | | | | | | | | |
| RU part name | передача от кольца | | | | | | | | | | | | | | | | | | | | | | | | | | | | | | |
| Size:mm | 300*300*130 | | | | | | | | | | | | | | | | | | | | | | | | | | | | | | |
| Weight:kg | 4 | | | | | | | | | | | | | | | | | | | | | | | | | | | | | | |
| NO. | NO.63-40 | | | | | | | | | | | | | | | | | | | | | | | | | | | | | | |
| Part No. | 199000420049 | | | | | | | | | | | | | | | | | | | | | | | | | | | | | | |
| CH part name | 内齿圈 | | | | | | | | | | | | | | | | | | | | | | | | | | | | | | |
| EN part name | Ring gear | | | | | | | | | | | | | | | | | | | | | | | | | | | | | | |
| RU part name | Шестерня бортового редуктора | | | | | | | | | | | | | | | | | | | | | | | | | | | | | | |
| Size:mm | | | | | | | | | | | | | | | | | | | | | | | | | | | | | | | |
| Weight:kg | 3.5 | | | | | | | | | | | | | | | | | | | | | | | | | | | | | | |
| NO. | NO.63-39 | | | | | | | | | | | | | | | | | | | | | | | | | | | | | | |
| Remarks: SHACMAN F3000 F2000 X3000 M3000 8*4 6*4 | | Remarks: SHACMAN F3000 F2000 X3000 M3000 8*4 6*4 | | | | | | | | | | | | | | | | | | | | | | | | | | | | | |

SHACMAN(1)

| Front drive axle | | NO.63 | Front drive axle | | NO.A63 |
|---|--------------|-----------------------|---|--------------|---------------------------|
|  | | |  | | |
| KD1141 | | | KD1142 | | |
|  | Part No. | 188000410069 |  | Part No. | 188000340017 |
| | CH part name | 滚针轴承 | | CH part name | 制动凸轮衬套 |
| | EN part name | Needle roller bearing | | EN part name | bushing |
| | RU part name | ИГОЛЬЧАТЫХ С | | RU part name | питания |
| | Size:mm | | | Size:mm | |
| | Weight:kg | 0.05 | | Weight:kg | 0.45 |
| | NO. | NO.63-24 | | NO. | NO.A63-15 |
| Remarks: SHACMAN F3000 F2000 X3000 M3000 8*4 6*4 | | | Remarks: SHACMAN F3000 F2000 X3000 M3000 8*4 6*4 | | |
| KD1143 | | | KD1144 | | |
|  | Part No. | 188000420003 |  | Part No. | 188000440010 |
| | CH part name | 太阳轮 | | CH part name | 附加垫片 |
| | EN part name | Central gear | | EN part name | Additional gasket |
| | RU part name | Солнечная шестерня | | RU part name | дополнительное уплотнение |
| | Size:mm | | | Size:mm | |
| | Weight:kg | 1.56 | | Weight:kg | 0.015 |
| | NO. | NO.63-4 | | NO. | NO.63-5 |
| Remarks: SHACMAN F3000 F2000 X3000 M3000 8*4 6*4 | | | Remarks: SHACMAN F3000 F2000 X3000 M3000 8*4 6*4 | | |

SHACMAN(1)

| | | | | | | | | | | | | | | | | | | | | | | | | | | | | | | | |
|---|--|---|--------------|--------------|---------|--------------|----------------------|--------------|------------------|---------|------------|-----------|------|-----|-------------------|---|--|----------|--------------|--------------|---------|--------------|-----------------------|--------------|--------------------|---------|------------|-----------|------|-----|-----------------|
|  | <table border="1"> <tr><td>Part No.</td><td>199100420003</td></tr> <tr><td>CH part name</td><td>前驱动轮边总成</td></tr> <tr><td>EN part name</td><td>Planet carrier assy.</td></tr> <tr><td>RU part name</td><td>Планета кареткой</td></tr> <tr><td>Size:mm</td><td></td></tr> <tr><td>Weight:kg</td><td>18.9</td></tr> <tr><td>NO.</td><td>NO.63-11-8</td></tr> </table> | Part No. | 199100420003 | CH part name | 前驱动轮边总成 | EN part name | Planet carrier assy. | RU part name | Планета кареткой | Size:mm | | Weight:kg | 18.9 | NO. | NO.63-11-8 |  | <table border="1"> <tr><td>Part No.</td><td>DZ9112340214</td></tr> <tr><td>CH part name</td><td>前端盖盖板</td></tr> <tr><td>EN part name</td><td>Cover</td></tr> <tr><td>RU part name</td><td>Крышка</td></tr> <tr><td>Size:mm</td><td>235*20</td></tr> <tr><td>Weight:kg</td><td>2.6</td></tr> <tr><td>NO.</td><td>NO.63-12</td></tr> </table> | Part No. | DZ9112340214 | CH part name | 前端盖盖板 | EN part name | Cover | RU part name | Крышка | Size:mm | 235*20 | Weight:kg | 2.6 | NO. | NO.63-12 |
| Part No. | 199100420003 | | | | | | | | | | | | | | | | | | | | | | | | | | | | | | |
| CH part name | 前驱动轮边总成 | | | | | | | | | | | | | | | | | | | | | | | | | | | | | | |
| EN part name | Planet carrier assy. | | | | | | | | | | | | | | | | | | | | | | | | | | | | | | |
| RU part name | Планета кареткой | | | | | | | | | | | | | | | | | | | | | | | | | | | | | | |
| Size:mm | | | | | | | | | | | | | | | | | | | | | | | | | | | | | | | |
| Weight:kg | 18.9 | | | | | | | | | | | | | | | | | | | | | | | | | | | | | | |
| NO. | NO.63-11-8 | | | | | | | | | | | | | | | | | | | | | | | | | | | | | | |
| Part No. | DZ9112340214 | | | | | | | | | | | | | | | | | | | | | | | | | | | | | | |
| CH part name | 前端盖盖板 | | | | | | | | | | | | | | | | | | | | | | | | | | | | | | |
| EN part name | Cover | | | | | | | | | | | | | | | | | | | | | | | | | | | | | | |
| RU part name | Крышка | | | | | | | | | | | | | | | | | | | | | | | | | | | | | | |
| Size:mm | 235*20 | | | | | | | | | | | | | | | | | | | | | | | | | | | | | | |
| Weight:kg | 2.6 | | | | | | | | | | | | | | | | | | | | | | | | | | | | | | |
| NO. | NO.63-12 | | | | | | | | | | | | | | | | | | | | | | | | | | | | | | |
| Remarks: SHACMAN F3000 F2000 X3000 M3000 8*4 6*4 | | Remarks: SHACMAN F3000 F2000 X3000 M3000 8*4 6*4 | | | | | | | | | | | | | | | | | | | | | | | | | | | | | |
|  | <table border="1"> <tr><td>Part No.</td><td>1-99-934-013</td></tr> <tr><td>CH part name</td><td>滚针轴承</td></tr> <tr><td>EN part name</td><td>Bearing</td></tr> <tr><td>RU part name</td><td>Подшипник</td></tr> <tr><td>Size:mm</td><td>30*30*45</td></tr> <tr><td>Weight:kg</td><td>0.05</td></tr> <tr><td>NO.</td><td>NO.63-20</td></tr> </table> | Part No. | 1-99-934-013 | CH part name | 滚针轴承 | EN part name | Bearing | RU part name | Подшипник | Size:mm | 30*30*45 | Weight:kg | 0.05 | NO. | NO.63-20 |  | <table border="1"> <tr><td>Part No.</td><td>190003326445</td></tr> <tr><td>CH part name</td><td>轴承32022</td></tr> <tr><td>EN part name</td><td>Bearing</td></tr> <tr><td>RU part name</td><td>Подшипник</td></tr> <tr><td>Size:mm</td><td>110*170*38</td></tr> <tr><td>Weight:kg</td><td>3.05</td></tr> <tr><td>NO.</td><td>NO.63-37</td></tr> </table> | Part No. | 190003326445 | CH part name | 轴承32022 | EN part name | Bearing | RU part name | Подшипник | Size:mm | 110*170*38 | Weight:kg | 3.05 | NO. | NO.63-37 |
| Part No. | 1-99-934-013 | | | | | | | | | | | | | | | | | | | | | | | | | | | | | | |
| CH part name | 滚针轴承 | | | | | | | | | | | | | | | | | | | | | | | | | | | | | | |
| EN part name | Bearing | | | | | | | | | | | | | | | | | | | | | | | | | | | | | | |
| RU part name | Подшипник | | | | | | | | | | | | | | | | | | | | | | | | | | | | | | |
| Size:mm | 30*30*45 | | | | | | | | | | | | | | | | | | | | | | | | | | | | | | |
| Weight:kg | 0.05 | | | | | | | | | | | | | | | | | | | | | | | | | | | | | | |
| NO. | NO.63-20 | | | | | | | | | | | | | | | | | | | | | | | | | | | | | | |
| Part No. | 190003326445 | | | | | | | | | | | | | | | | | | | | | | | | | | | | | | |
| CH part name | 轴承32022 | | | | | | | | | | | | | | | | | | | | | | | | | | | | | | |
| EN part name | Bearing | | | | | | | | | | | | | | | | | | | | | | | | | | | | | | |
| RU part name | Подшипник | | | | | | | | | | | | | | | | | | | | | | | | | | | | | | |
| Size:mm | 110*170*38 | | | | | | | | | | | | | | | | | | | | | | | | | | | | | | |
| Weight:kg | 3.05 | | | | | | | | | | | | | | | | | | | | | | | | | | | | | | |
| NO. | NO.63-37 | | | | | | | | | | | | | | | | | | | | | | | | | | | | | | |
| Remarks: SHACMAN F3000 F2000 X3000 M3000 8*4 6*4 | | Remarks: SHACMAN F3000 F2000 X3000 M3000 8*4 6*4 | | | | | | | | | | | | | | | | | | | | | | | | | | | | | |
|  | <table border="1"> <tr><td>Part No.</td><td>190003326443</td></tr> <tr><td>CH part name</td><td>轴承32020</td></tr> <tr><td>EN part name</td><td>Bearing</td></tr> <tr><td>RU part name</td><td>Подшипник</td></tr> <tr><td>Size:mm</td><td>150*100*32</td></tr> <tr><td>Weight:kg</td><td>3.57</td></tr> <tr><td>NO.</td><td>NO.63-33</td></tr> </table> | Part No. | 190003326443 | CH part name | 轴承32020 | EN part name | Bearing | RU part name | Подшипник | Size:mm | 150*100*32 | Weight:kg | 3.57 | NO. | NO.63-33 |  | <table border="1"> <tr><td>Part No.</td><td>DZ9100420029</td></tr> <tr><td>CH part name</td><td>前驱动轮毂</td></tr> <tr><td>EN part name</td><td>Front hub</td></tr> <tr><td>RU part name</td><td>ступица</td></tr> <tr><td>Size:mm</td><td></td></tr> <tr><td>Weight:kg</td><td>21</td></tr> <tr><td>NO.</td><td>NO.63-35</td></tr> </table> | Part No. | DZ9100420029 | CH part name | 前驱动轮毂 | EN part name | Front hub | RU part name | ступица | Size:mm | | Weight:kg | 21 | NO. | NO.63-35 |
| Part No. | 190003326443 | | | | | | | | | | | | | | | | | | | | | | | | | | | | | | |
| CH part name | 轴承32020 | | | | | | | | | | | | | | | | | | | | | | | | | | | | | | |
| EN part name | Bearing | | | | | | | | | | | | | | | | | | | | | | | | | | | | | | |
| RU part name | Подшипник | | | | | | | | | | | | | | | | | | | | | | | | | | | | | | |
| Size:mm | 150*100*32 | | | | | | | | | | | | | | | | | | | | | | | | | | | | | | |
| Weight:kg | 3.57 | | | | | | | | | | | | | | | | | | | | | | | | | | | | | | |
| NO. | NO.63-33 | | | | | | | | | | | | | | | | | | | | | | | | | | | | | | |
| Part No. | DZ9100420029 | | | | | | | | | | | | | | | | | | | | | | | | | | | | | | |
| CH part name | 前驱动轮毂 | | | | | | | | | | | | | | | | | | | | | | | | | | | | | | |
| EN part name | Front hub | | | | | | | | | | | | | | | | | | | | | | | | | | | | | | |
| RU part name | ступица | | | | | | | | | | | | | | | | | | | | | | | | | | | | | | |
| Size:mm | | | | | | | | | | | | | | | | | | | | | | | | | | | | | | | |
| Weight:kg | 21 | | | | | | | | | | | | | | | | | | | | | | | | | | | | | | |
| NO. | NO.63-35 | | | | | | | | | | | | | | | | | | | | | | | | | | | | | | |
| Remarks: SHACMAN F3000 F2000 X3000 M3000 8*4 6*4 | | Remarks: SHACMAN F3000 F2000 X3000 M3000 8*4 6*4 2190-3103010 | | | | | | | | | | | | | | | | | | | | | | | | | | | | | |
|  | <table border="1"> <tr><td>Part No.</td><td>88000410063</td></tr> <tr><td>CH part name</td><td>轴头</td></tr> <tr><td>EN part name</td><td>Head</td></tr> <tr><td>RU part name</td><td>пескарь</td></tr> <tr><td>Size:mm</td><td></td></tr> <tr><td>Weight:kg</td><td></td></tr> <tr><td>NO.</td><td>NO.63-29</td></tr> </table> | Part No. | 88000410063 | CH part name | 轴头 | EN part name | Head | RU part name | пескарь | Size:mm | | Weight:kg | | NO. | NO.63-29 |  | <table border="1"> <tr><td>Part No.</td><td>199000420050</td></tr> <tr><td>CH part name</td><td>前桥行星轮</td></tr> <tr><td>EN part name</td><td>The planet wheel axle</td></tr> <tr><td>RU part name</td><td>колеса оси планеты</td></tr> <tr><td>Size:mm</td><td></td></tr> <tr><td>Weight:kg</td><td>1.1</td></tr> <tr><td>NO.</td><td>NO.63-19</td></tr> </table> | Part No. | 199000420050 | CH part name | 前桥行星轮 | EN part name | The planet wheel axle | RU part name | колеса оси планеты | Size:mm | | Weight:kg | 1.1 | NO. | NO.63-19 |
| Part No. | 88000410063 | | | | | | | | | | | | | | | | | | | | | | | | | | | | | | |
| CH part name | 轴头 | | | | | | | | | | | | | | | | | | | | | | | | | | | | | | |
| EN part name | Head | | | | | | | | | | | | | | | | | | | | | | | | | | | | | | |
| RU part name | пескарь | | | | | | | | | | | | | | | | | | | | | | | | | | | | | | |
| Size:mm | | | | | | | | | | | | | | | | | | | | | | | | | | | | | | | |
| Weight:kg | | | | | | | | | | | | | | | | | | | | | | | | | | | | | | | |
| NO. | NO.63-29 | | | | | | | | | | | | | | | | | | | | | | | | | | | | | | |
| Part No. | 199000420050 | | | | | | | | | | | | | | | | | | | | | | | | | | | | | | |
| CH part name | 前桥行星轮 | | | | | | | | | | | | | | | | | | | | | | | | | | | | | | |
| EN part name | The planet wheel axle | | | | | | | | | | | | | | | | | | | | | | | | | | | | | | |
| RU part name | колеса оси планеты | | | | | | | | | | | | | | | | | | | | | | | | | | | | | | |
| Size:mm | | | | | | | | | | | | | | | | | | | | | | | | | | | | | | | |
| Weight:kg | 1.1 | | | | | | | | | | | | | | | | | | | | | | | | | | | | | | |
| NO. | NO.63-19 | | | | | | | | | | | | | | | | | | | | | | | | | | | | | | |
| Remarks: SHACMAN F3000 F2000 X3000 M3000 8*4 6*4 | | Remarks: SHACMAN F3000 F2000 X3000 M3000 8*4 6*4 | | | | | | | | | | | | | | | | | | | | | | | | | | | | | |

SHACMAN(1)

| | | | | | | | | | | | | | | | | | | | | | | | | | | | | | | | |
|---|---|--|-----------------|--------------|---------|--------------|------------------------|--------------|------------------------------|---------|----------|-----------|------|-----|------------------|---|--|----------|--------------|--------------|----------|--------------|--------------------------------|--------------|----------------------------|---------|-----------|-----------|------|-----|------------------|
|  | <table border="1"> <tr><td>Part No.</td><td>188000420024</td></tr> <tr><td>CH part name</td><td>行星轮轴</td></tr> <tr><td>EN part name</td><td>Planet gear shaft</td></tr> <tr><td>RU part name</td><td>Вал сателлита</td></tr> <tr><td>Size:mm</td><td>28*28*72</td></tr> <tr><td>Weight:kg</td><td>0.21</td></tr> <tr><td>NO.</td><td>NO.A63-21</td></tr> </table> | Part No. | 188000420024 | CH part name | 行星轮轴 | EN part name | Planet gear shaft | RU part name | Вал сателлита | Size:mm | 28*28*72 | Weight:kg | 0.21 | NO. | NO.A63-21 |  | <table border="1"> <tr><td>Part No.</td><td>199112440003</td></tr> <tr><td>CH part name</td><td>制动鼓</td></tr> <tr><td>EN part name</td><td>Front brake drum</td></tr> <tr><td>RU part name</td><td>Барабан тормозный передний</td></tr> <tr><td>Size:mm</td><td></td></tr> <tr><td>Weight:kg</td><td>48</td></tr> <tr><td>NO.</td><td>NO.A63-44</td></tr> </table> | Part No. | 199112440003 | CH part name | 制动鼓 | EN part name | Front brake drum | RU part name | Барабан тормозный передний | Size:mm | | Weight:kg | 48 | NO. | NO.A63-44 |
| Part No. | 188000420024 | | | | | | | | | | | | | | | | | | | | | | | | | | | | | | |
| CH part name | 行星轮轴 | | | | | | | | | | | | | | | | | | | | | | | | | | | | | | |
| EN part name | Planet gear shaft | | | | | | | | | | | | | | | | | | | | | | | | | | | | | | |
| RU part name | Вал сателлита | | | | | | | | | | | | | | | | | | | | | | | | | | | | | | |
| Size:mm | 28*28*72 | | | | | | | | | | | | | | | | | | | | | | | | | | | | | | |
| Weight:kg | 0.21 | | | | | | | | | | | | | | | | | | | | | | | | | | | | | | |
| NO. | NO.A63-21 | | | | | | | | | | | | | | | | | | | | | | | | | | | | | | |
| Part No. | 199112440003 | | | | | | | | | | | | | | | | | | | | | | | | | | | | | | |
| CH part name | 制动鼓 | | | | | | | | | | | | | | | | | | | | | | | | | | | | | | |
| EN part name | Front brake drum | | | | | | | | | | | | | | | | | | | | | | | | | | | | | | |
| RU part name | Барабан тормозный передний | | | | | | | | | | | | | | | | | | | | | | | | | | | | | | |
| Size:mm | | | | | | | | | | | | | | | | | | | | | | | | | | | | | | | |
| Weight:kg | 48 | | | | | | | | | | | | | | | | | | | | | | | | | | | | | | |
| NO. | NO.A63-44 | | | | | | | | | | | | | | | | | | | | | | | | | | | | | | |
| Remarks:SHACMAN F3000 F2000 X3000 M3000 8*4 6*4 | | Remarks:SHACMAN F3000 F2000 X3000 M3000 8*4 6*4 | | | | | | | | | | | | | | | | | | | | | | | | | | | | | |
|  | <table border="1"> <tr><td>Part No.</td><td>DZ9100440018</td></tr> <tr><td>CH part name</td><td>驱动制动底板R</td></tr> <tr><td>EN part name</td><td>Front brake baseplate</td></tr> <tr><td>RU part name</td><td>Суппорт передний</td></tr> <tr><td>Size:mm</td><td></td></tr> <tr><td>Weight:kg</td><td>6.5</td></tr> <tr><td>NO.</td><td>NO.A63-27</td></tr> </table> | Part No. | DZ9100440018 | CH part name | 驱动制动底板R | EN part name | Front brake baseplate | RU part name | Суппорт передний | Size:mm | | Weight:kg | 6.5 | NO. | NO.A63-27 |  | <table border="1"> <tr><td>Part No.</td><td>DZ9100440016</td></tr> <tr><td>CH part name</td><td>驱动制动底板L</td></tr> <tr><td>EN part name</td><td>Front brake baseplate</td></tr> <tr><td>RU part name</td><td>Суппорт передний</td></tr> <tr><td>Size:mm</td><td></td></tr> <tr><td>Weight:kg</td><td>6.5</td></tr> <tr><td>NO.</td><td>NO.A63-27</td></tr> </table> | Part No. | DZ9100440016 | CH part name | 驱动制动底板L | EN part name | Front brake baseplate | RU part name | Суппорт передний | Size:mm | | Weight:kg | 6.5 | NO. | NO.A63-27 |
| Part No. | DZ9100440018 | | | | | | | | | | | | | | | | | | | | | | | | | | | | | | |
| CH part name | 驱动制动底板R | | | | | | | | | | | | | | | | | | | | | | | | | | | | | | |
| EN part name | Front brake baseplate | | | | | | | | | | | | | | | | | | | | | | | | | | | | | | |
| RU part name | Суппорт передний | | | | | | | | | | | | | | | | | | | | | | | | | | | | | | |
| Size:mm | | | | | | | | | | | | | | | | | | | | | | | | | | | | | | | |
| Weight:kg | 6.5 | | | | | | | | | | | | | | | | | | | | | | | | | | | | | | |
| NO. | NO.A63-27 | | | | | | | | | | | | | | | | | | | | | | | | | | | | | | |
| Part No. | DZ9100440016 | | | | | | | | | | | | | | | | | | | | | | | | | | | | | | |
| CH part name | 驱动制动底板L | | | | | | | | | | | | | | | | | | | | | | | | | | | | | | |
| EN part name | Front brake baseplate | | | | | | | | | | | | | | | | | | | | | | | | | | | | | | |
| RU part name | Суппорт передний | | | | | | | | | | | | | | | | | | | | | | | | | | | | | | |
| Size:mm | | | | | | | | | | | | | | | | | | | | | | | | | | | | | | | |
| Weight:kg | 6.5 | | | | | | | | | | | | | | | | | | | | | | | | | | | | | | |
| NO. | NO.A63-27 | | | | | | | | | | | | | | | | | | | | | | | | | | | | | | |
| Remarks: SHACMAN F3000 F2000 X3000 M3000 8*4 6*4 | | Remarks: SHACMAN F3000 F2000 X3000 M3000 8*4 6*4 | | | | | | | | | | | | | | | | | | | | | | | | | | | | | |
|  | <table border="1"> <tr><td>Part No.</td><td>199000440018</td></tr> <tr><td>CH part name</td><td>制动蹄铁</td></tr> <tr><td>EN part name</td><td>Front brake shoe assy.</td></tr> <tr><td>RU part name</td><td>Колодка тормозная передняя</td></tr> <tr><td>Size:mm</td><td></td></tr> <tr><td>Weight:kg</td><td>8.35</td></tr> <tr><td>NO.</td><td>NO.A63-37</td></tr> </table> | Part No. | 199000440018 | CH part name | 制动蹄铁 | EN part name | Front brake shoe assy. | RU part name | Колодка тормозная передняя | Size:mm | | Weight:kg | 8.35 | NO. | NO.A63-37 |  | <table border="1"> <tr><td>Part No.</td><td>188000440012</td></tr> <tr><td>CH part name</td><td>前制动蹄回位弹簧</td></tr> <tr><td>EN part name</td><td>Front brake shoe return spring</td></tr> <tr><td>RU part name</td><td>Стяжная пружина</td></tr> <tr><td>Size:mm</td><td>270*30*30</td></tr> <tr><td>Weight:kg</td><td>0.15</td></tr> <tr><td>NO.</td><td>NO.A63-38</td></tr> </table> | Part No. | 188000440012 | CH part name | 前制动蹄回位弹簧 | EN part name | Front brake shoe return spring | RU part name | Стяжная пружина | Size:mm | 270*30*30 | Weight:kg | 0.15 | NO. | NO.A63-38 |
| Part No. | 199000440018 | | | | | | | | | | | | | | | | | | | | | | | | | | | | | | |
| CH part name | 制动蹄铁 | | | | | | | | | | | | | | | | | | | | | | | | | | | | | | |
| EN part name | Front brake shoe assy. | | | | | | | | | | | | | | | | | | | | | | | | | | | | | | |
| RU part name | Колодка тормозная передняя | | | | | | | | | | | | | | | | | | | | | | | | | | | | | | |
| Size:mm | | | | | | | | | | | | | | | | | | | | | | | | | | | | | | | |
| Weight:kg | 8.35 | | | | | | | | | | | | | | | | | | | | | | | | | | | | | | |
| NO. | NO.A63-37 | | | | | | | | | | | | | | | | | | | | | | | | | | | | | | |
| Part No. | 188000440012 | | | | | | | | | | | | | | | | | | | | | | | | | | | | | | |
| CH part name | 前制动蹄回位弹簧 | | | | | | | | | | | | | | | | | | | | | | | | | | | | | | |
| EN part name | Front brake shoe return spring | | | | | | | | | | | | | | | | | | | | | | | | | | | | | | |
| RU part name | Стяжная пружина | | | | | | | | | | | | | | | | | | | | | | | | | | | | | | |
| Size:mm | 270*30*30 | | | | | | | | | | | | | | | | | | | | | | | | | | | | | | |
| Weight:kg | 0.15 | | | | | | | | | | | | | | | | | | | | | | | | | | | | | | |
| NO. | NO.A63-38 | | | | | | | | | | | | | | | | | | | | | | | | | | | | | | |
| Remarks: SHACMAN F3000 F2000 X3000 M3000 8*4 6*4 | | Remarks: SHACMAN F3000 F2000 X3000 M3000 8*4 6*4 | | | | | | | | | | | | | | | | | | | | | | | | | | | | | |
|  | <table border="1"> <tr><td>Part No.</td><td>199112440024/25</td></tr> <tr><td>CH part name</td><td>凸轮轴 L/R</td></tr> <tr><td>EN part name</td><td>LR/left brake camshaft</td></tr> <tr><td>RU part name</td><td>Кулак тормозной задний левый</td></tr> <tr><td>Size:mm</td><td></td></tr> <tr><td>Weight:kg</td><td>2</td></tr> <tr><td>NO.</td><td>NO.A63-31</td></tr> </table> | Part No. | 199112440024/25 | CH part name | 凸轮轴 L/R | EN part name | LR/left brake camshaft | RU part name | Кулак тормозной задний левый | Size:mm | | Weight:kg | 2 | NO. | NO.A63-31 |  | <table border="1"> <tr><td>Part No.</td><td>2190-3501113</td></tr> <tr><td>CH part name</td><td>前制动调整臂</td></tr> <tr><td>EN part name</td><td>Front slack adjusting arm</td></tr> <tr><td>RU part name</td><td>Рычаг тормоз передний</td></tr> <tr><td>Size:mm</td><td></td></tr> <tr><td>Weight:kg</td><td>1.8</td></tr> <tr><td>NO.</td><td>NO.A63-13</td></tr> </table> | Part No. | 2190-3501113 | CH part name | 前制动调整臂 | EN part name | Front slack adjusting arm | RU part name | Рычаг тормоз передний | Size:mm | | Weight:kg | 1.8 | NO. | NO.A63-13 |
| Part No. | 199112440024/25 | | | | | | | | | | | | | | | | | | | | | | | | | | | | | | |
| CH part name | 凸轮轴 L/R | | | | | | | | | | | | | | | | | | | | | | | | | | | | | | |
| EN part name | LR/left brake camshaft | | | | | | | | | | | | | | | | | | | | | | | | | | | | | | |
| RU part name | Кулак тормозной задний левый | | | | | | | | | | | | | | | | | | | | | | | | | | | | | | |
| Size:mm | | | | | | | | | | | | | | | | | | | | | | | | | | | | | | | |
| Weight:kg | 2 | | | | | | | | | | | | | | | | | | | | | | | | | | | | | | |
| NO. | NO.A63-31 | | | | | | | | | | | | | | | | | | | | | | | | | | | | | | |
| Part No. | 2190-3501113 | | | | | | | | | | | | | | | | | | | | | | | | | | | | | | |
| CH part name | 前制动调整臂 | | | | | | | | | | | | | | | | | | | | | | | | | | | | | | |
| EN part name | Front slack adjusting arm | | | | | | | | | | | | | | | | | | | | | | | | | | | | | | |
| RU part name | Рычаг тормоз передний | | | | | | | | | | | | | | | | | | | | | | | | | | | | | | |
| Size:mm | | | | | | | | | | | | | | | | | | | | | | | | | | | | | | | |
| Weight:kg | 1.8 | | | | | | | | | | | | | | | | | | | | | | | | | | | | | | |
| NO. | NO.A63-13 | | | | | | | | | | | | | | | | | | | | | | | | | | | | | | |
| Remarks: SHACMAN F3000 F2000 X3000 M3000 8*4 6*4 | | Remarks: SHACMAN F3000 F2000 X3000 M3000 8*4 6*4 188000440020/21 | | | | | | | | | | | | | | | | | | | | | | | | | | | | | |

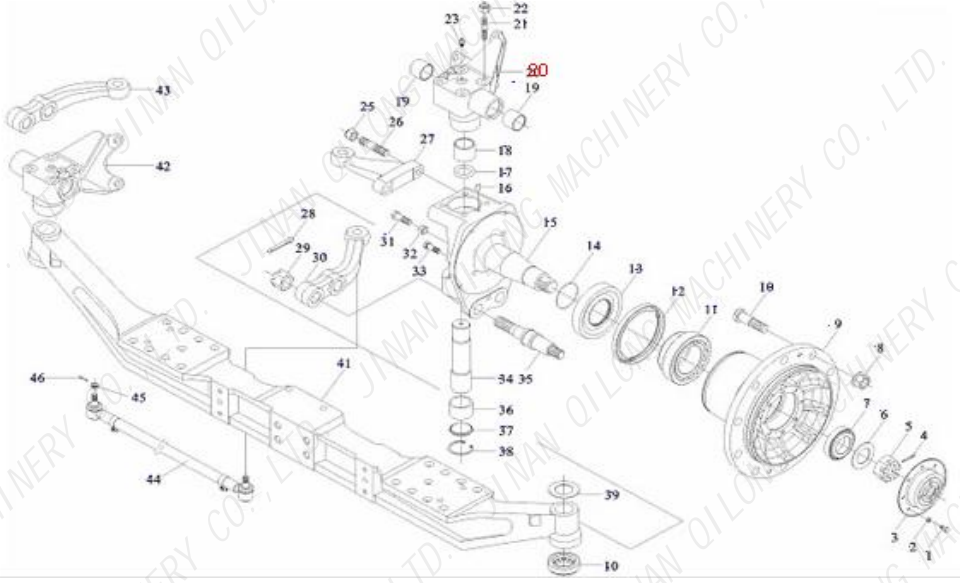

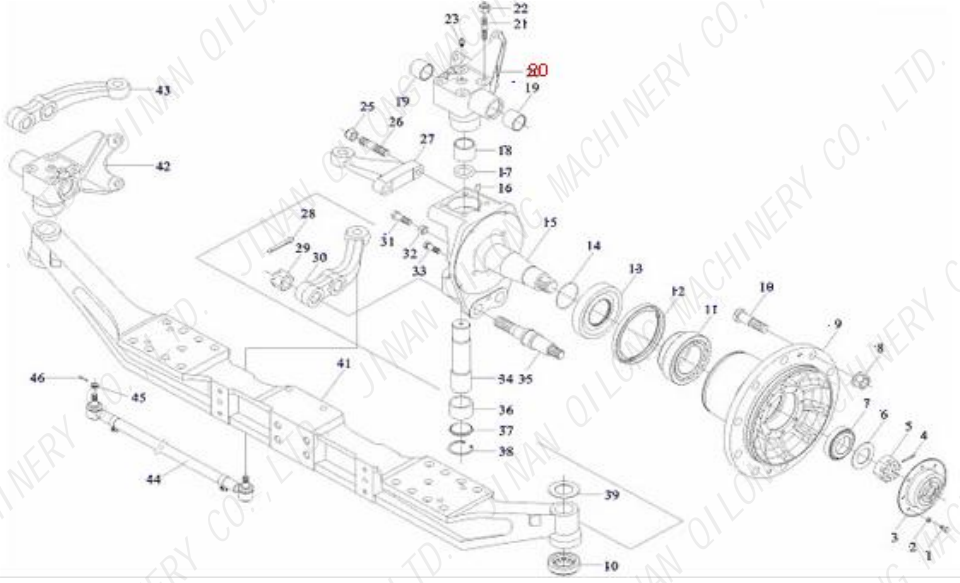





SHACMAN(1)

| | | | | | | | | | | | | | | | | | | | | | | | | | | | | | | | |
|---|---|---|----------------|--------------|-----------|--------------|--------------------------|--------------|--|---------|--------------|-----------|------|-----|------------------|---|---|----------|---------------|--------------|-----------|--------------|---------------------|--------------|-----------------------------------|---------|--------------|-----------|------|-----|------------------|
|  | <table border="1"> <tr><td>Part No.</td><td>HD991009440000</td></tr> <tr><td>CH part name</td><td>防尘罩</td></tr> <tr><td>EN part name</td><td>Brake prevented dust cap</td></tr> <tr><td>RU part name</td><td>Тормозная предотвратит пылезащитный ко</td></tr> <tr><td>Size:mm</td><td></td></tr> <tr><td>Weight:kg</td><td>0.34</td></tr> <tr><td>NO.</td><td>NO.A63-26</td></tr> </table> | Part No. | HD991009440000 | CH part name | 防尘罩 | EN part name | Brake prevented dust cap | RU part name | Тормозная предотвратит пылезащитный ко | Size:mm | | Weight:kg | 0.34 | NO. | NO.A63-26 |  | <table border="1"> <tr><td>Part No.</td><td>HD99000440017</td></tr> <tr><td>CH part name</td><td>制动蹄片</td></tr> <tr><td>EN part name</td><td>Upper brake lining</td></tr> <tr><td>RU part name</td><td>Накладка тормозная верхняя</td></tr> <tr><td>Size:mm</td><td></td></tr> <tr><td>Weight:kg</td><td>0.64</td></tr> <tr><td>NO.</td><td>NO.A63-42</td></tr> </table> | Part No. | HD99000440017 | CH part name | 制动蹄片 | EN part name | Upper brake lining | RU part name | Накладка тормозная верхняя | Size:mm | | Weight:kg | 0.64 | NO. | NO.A63-42 |
| Part No. | HD991009440000 | | | | | | | | | | | | | | | | | | | | | | | | | | | | | | |
| CH part name | 防尘罩 | | | | | | | | | | | | | | | | | | | | | | | | | | | | | | |
| EN part name | Brake prevented dust cap | | | | | | | | | | | | | | | | | | | | | | | | | | | | | | |
| RU part name | Тормозная предотвратит пылезащитный ко | | | | | | | | | | | | | | | | | | | | | | | | | | | | | | |
| Size:mm | | | | | | | | | | | | | | | | | | | | | | | | | | | | | | | |
| Weight:kg | 0.34 | | | | | | | | | | | | | | | | | | | | | | | | | | | | | | |
| NO. | NO.A63-26 | | | | | | | | | | | | | | | | | | | | | | | | | | | | | | |
| Part No. | HD99000440017 | | | | | | | | | | | | | | | | | | | | | | | | | | | | | | |
| CH part name | 制动蹄片 | | | | | | | | | | | | | | | | | | | | | | | | | | | | | | |
| EN part name | Upper brake lining | | | | | | | | | | | | | | | | | | | | | | | | | | | | | | |
| RU part name | Накладка тормозная верхняя | | | | | | | | | | | | | | | | | | | | | | | | | | | | | | |
| Size:mm | | | | | | | | | | | | | | | | | | | | | | | | | | | | | | | |
| Weight:kg | 0.64 | | | | | | | | | | | | | | | | | | | | | | | | | | | | | | |
| NO. | NO.A63-42 | | | | | | | | | | | | | | | | | | | | | | | | | | | | | | |
| Remarks: SHACMAN F3000 F2000 X3000 M3000 8*4 6*4 | | Remarks: SHACMAN F3000 F2000 X3000 M3000 8*4 6*4 | | | | | | | | | | | | | | | | | | | | | | | | | | | | | |
|  | <table border="1"> <tr><td>Part No.</td><td>HD99000440017</td></tr> <tr><td>CH part name</td><td>制动蹄片</td></tr> <tr><td>EN part name</td><td>Lower brake lining</td></tr> <tr><td>RU part name</td><td>Накладка тормозная верхняя</td></tr> <tr><td>Size:mm</td><td></td></tr> <tr><td>Weight:kg</td><td>0.85</td></tr> <tr><td>NO.</td><td>NO.A63-43</td></tr> </table> | Part No. | HD99000440017 | CH part name | 制动蹄片 | EN part name | Lower brake lining | RU part name | Накладка тормозная верхняя | Size:mm | | Weight:kg | 0.85 | NO. | NO.A63-43 |  | <table border="1"> <tr><td>Part No.</td><td>DZ9100360058</td></tr> <tr><td>CH part name</td><td>前制动气室</td></tr> <tr><td>EN part name</td><td>Front cylinder</td></tr> <tr><td>RU part name</td><td>Камера тормозная передняя в сборе</td></tr> <tr><td>Size:mm</td><td>190*220*180</td></tr> <tr><td>Weight:kg</td><td>2.2</td></tr> <tr><td>NO.</td><td>NO.A63-1</td></tr> </table> | Part No. | DZ9100360058 | CH part name | 前制动气室 | EN part name | Front cylinder | RU part name | Камера тормозная передняя в сборе | Size:mm | 190*220*180 | Weight:kg | 2.2 | NO. | NO.A63-1 |
| Part No. | HD99000440017 | | | | | | | | | | | | | | | | | | | | | | | | | | | | | | |
| CH part name | 制动蹄片 | | | | | | | | | | | | | | | | | | | | | | | | | | | | | | |
| EN part name | Lower brake lining | | | | | | | | | | | | | | | | | | | | | | | | | | | | | | |
| RU part name | Накладка тормозная верхняя | | | | | | | | | | | | | | | | | | | | | | | | | | | | | | |
| Size:mm | | | | | | | | | | | | | | | | | | | | | | | | | | | | | | | |
| Weight:kg | 0.85 | | | | | | | | | | | | | | | | | | | | | | | | | | | | | | |
| NO. | NO.A63-43 | | | | | | | | | | | | | | | | | | | | | | | | | | | | | | |
| Part No. | DZ9100360058 | | | | | | | | | | | | | | | | | | | | | | | | | | | | | | |
| CH part name | 前制动气室 | | | | | | | | | | | | | | | | | | | | | | | | | | | | | | |
| EN part name | Front cylinder | | | | | | | | | | | | | | | | | | | | | | | | | | | | | | |
| RU part name | Камера тормозная передняя в сборе | | | | | | | | | | | | | | | | | | | | | | | | | | | | | | |
| Size:mm | 190*220*180 | | | | | | | | | | | | | | | | | | | | | | | | | | | | | | |
| Weight:kg | 2.2 | | | | | | | | | | | | | | | | | | | | | | | | | | | | | | |
| NO. | NO.A63-1 | | | | | | | | | | | | | | | | | | | | | | | | | | | | | | |
| Remarks: SHACMAN F3000 F2000 X3000 M3000 8*4 6*4 | | Remarks: SHACMAN F3000 F2000 X3000 M3000 8*4 6*4 DZ9100360059 | | | | | | | | | | | | | | | | | | | | | | | | | | | | | |
|  | <table border="1"> <tr><td>Part No.</td><td>DH7140.100102</td></tr> <tr><td>CH part name</td><td>前桥总成 6.5t</td></tr> <tr><td>EN part name</td><td>Front axle assembly</td></tr> <tr><td>RU part name</td><td>передняя ось Ассамблеи</td></tr> <tr><td>Size:mm</td><td>2470*480*480</td></tr> <tr><td>Weight:kg</td><td>500</td></tr> <tr><td>NO.</td><td>NO.64</td></tr> </table> | Part No. | DH7140.100102 | CH part name | 前桥总成 6.5t | EN part name | Front axle assembly | RU part name | передняя ось Ассамблеи | Size:mm | 2470*480*480 | Weight:kg | 500 | NO. | NO.64 |  | <table border="1"> <tr><td>Part No.</td><td>SZ938000026</td></tr> <tr><td>CH part name</td><td>M7.5T右置前桥</td></tr> <tr><td>EN part name</td><td>Front axle assembly</td></tr> <tr><td>RU part name</td><td>передняя ось Ассамблеи</td></tr> <tr><td>Size:mm</td><td>2470*480*480</td></tr> <tr><td>Weight:kg</td><td>500</td></tr> <tr><td>NO.</td><td>NO.64</td></tr> </table> | Part No. | SZ938000026 | CH part name | M7.5T右置前桥 | EN part name | Front axle assembly | RU part name | передняя ось Ассамблеи | Size:mm | 2470*480*480 | Weight:kg | 500 | NO. | NO.64 |
| Part No. | DH7140.100102 | | | | | | | | | | | | | | | | | | | | | | | | | | | | | | |
| CH part name | 前桥总成 6.5t | | | | | | | | | | | | | | | | | | | | | | | | | | | | | | |
| EN part name | Front axle assembly | | | | | | | | | | | | | | | | | | | | | | | | | | | | | | |
| RU part name | передняя ось Ассамблеи | | | | | | | | | | | | | | | | | | | | | | | | | | | | | | |
| Size:mm | 2470*480*480 | | | | | | | | | | | | | | | | | | | | | | | | | | | | | | |
| Weight:kg | 500 | | | | | | | | | | | | | | | | | | | | | | | | | | | | | | |
| NO. | NO.64 | | | | | | | | | | | | | | | | | | | | | | | | | | | | | | |
| Part No. | SZ938000026 | | | | | | | | | | | | | | | | | | | | | | | | | | | | | | |
| CH part name | M7.5T右置前桥 | | | | | | | | | | | | | | | | | | | | | | | | | | | | | | |
| EN part name | Front axle assembly | | | | | | | | | | | | | | | | | | | | | | | | | | | | | | |
| RU part name | передняя ось Ассамблеи | | | | | | | | | | | | | | | | | | | | | | | | | | | | | | |
| Size:mm | 2470*480*480 | | | | | | | | | | | | | | | | | | | | | | | | | | | | | | |
| Weight:kg | 500 | | | | | | | | | | | | | | | | | | | | | | | | | | | | | | |
| NO. | NO.64 | | | | | | | | | | | | | | | | | | | | | | | | | | | | | | |
| Remarks: SHACMAN F3000 F2000 X3000 M3000 8*4 6*4 STEYR | | Remarks: SHACMAN F3000 F2000 X3000 M3000 8*4 6*4 DZ95189380501 9.5t | | | | | | | | | | | | | | | | | | | | | | | | | | | | | |
|  | <table border="1"> <tr><td>Part No.</td><td>DZ9100410201</td></tr> <tr><td>CH part name</td><td>前轴STYSR</td></tr> <tr><td>EN part name</td><td>Front axle</td></tr> <tr><td>RU part name</td><td>передняя ось</td></tr> <tr><td>Size:mm</td><td>1850*170*320</td></tr> <tr><td>Weight:kg</td><td>128</td></tr> <tr><td>NO.</td><td>NO.64-41</td></tr> </table> | Part No. | DZ9100410201 | CH part name | 前轴STYSR | EN part name | Front axle | RU part name | передняя ось | Size:mm | 1850*170*320 | Weight:kg | 128 | NO. | NO.64-41 |  | <table border="1"> <tr><td>Part No.</td><td>DZ9100410055</td></tr> <tr><td>CH part name</td><td>前轴</td></tr> <tr><td>EN part name</td><td>Front axle</td></tr> <tr><td>RU part name</td><td>передняя ось</td></tr> <tr><td>Size:mm</td><td>1850*170*320</td></tr> <tr><td>Weight:kg</td><td>128</td></tr> <tr><td>NO.</td><td>NO.64-41</td></tr> </table> | Part No. | DZ9100410055 | CH part name | 前轴 | EN part name | Front axle | RU part name | передняя ось | Size:mm | 1850*170*320 | Weight:kg | 128 | NO. | NO.64-41 |
| Part No. | DZ9100410201 | | | | | | | | | | | | | | | | | | | | | | | | | | | | | | |
| CH part name | 前轴STYSR | | | | | | | | | | | | | | | | | | | | | | | | | | | | | | |
| EN part name | Front axle | | | | | | | | | | | | | | | | | | | | | | | | | | | | | | |
| RU part name | передняя ось | | | | | | | | | | | | | | | | | | | | | | | | | | | | | | |
| Size:mm | 1850*170*320 | | | | | | | | | | | | | | | | | | | | | | | | | | | | | | |
| Weight:kg | 128 | | | | | | | | | | | | | | | | | | | | | | | | | | | | | | |
| NO. | NO.64-41 | | | | | | | | | | | | | | | | | | | | | | | | | | | | | | |
| Part No. | DZ9100410055 | | | | | | | | | | | | | | | | | | | | | | | | | | | | | | |
| CH part name | 前轴 | | | | | | | | | | | | | | | | | | | | | | | | | | | | | | |
| EN part name | Front axle | | | | | | | | | | | | | | | | | | | | | | | | | | | | | | |
| RU part name | передняя ось | | | | | | | | | | | | | | | | | | | | | | | | | | | | | | |
| Size:mm | 1850*170*320 | | | | | | | | | | | | | | | | | | | | | | | | | | | | | | |
| Weight:kg | 128 | | | | | | | | | | | | | | | | | | | | | | | | | | | | | | |
| NO. | NO.64-41 | | | | | | | | | | | | | | | | | | | | | | | | | | | | | | |
| Remarks: SHACMAN F3000 F2000 X3000 M3000 8*4 6*4 | | Remarks: SHACMAN F3000 F2000 X3000 M3000 8*4 6*4 STEYR | | | | | | | | | | | | | | | | | | | | | | | | | | | | | |

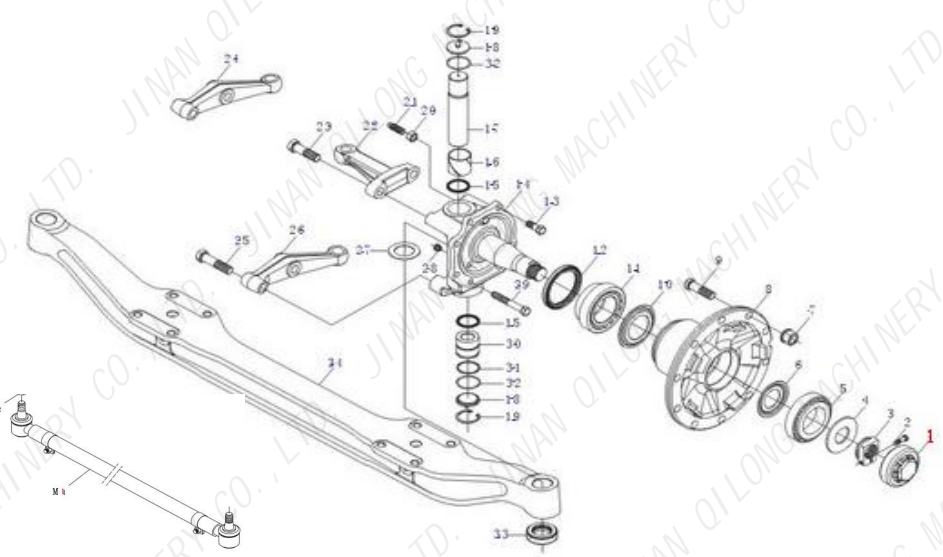







SHACMAN(1)

| | | | | | | | | | | | | | | | | | | | | | | | | | | | | | | | |
|---|---|--|-------------------|--------------|------------|--------------|---------------------------|--------------|---------------------------------------|---------|--------------|-----------|------|-----|-----------------|---|---|----------|--------------|--------------|------------|--------------|---------------------------|--------------|-------------------------------------|---------|-------------|-----------|------|-----|-----------------|
|  | <table border="1"> <tr><td>Part No.</td><td>DZ9100410058/56</td></tr> <tr><td>CH part name</td><td>前轴M7.5t</td></tr> <tr><td>EN part name</td><td>Front axle</td></tr> <tr><td>RU part name</td><td>передняя ось</td></tr> <tr><td>Size:mm</td><td>1850*170*320</td></tr> <tr><td>Weight:kg</td><td>128</td></tr> <tr><td>NO.</td><td>NO.64-41</td></tr> </table> | Part No. | DZ9100410058/56 | CH part name | 前轴M7.5t | EN part name | Front axle | RU part name | передняя ось | Size:mm | 1850*170*320 | Weight:kg | 128 | NO. | NO.64-41 |  | <table border="1"> <tr><td>Part No.</td><td>199112410009</td></tr> <tr><td>CH part name</td><td>前轮毂STEYR</td></tr> <tr><td>EN part name</td><td>Front wheel hub</td></tr> <tr><td>RU part name</td><td>Ступица передняя</td></tr> <tr><td>Size:mm</td><td>365*365*230</td></tr> <tr><td>Weight:kg</td><td>21.5</td></tr> <tr><td>NO.</td><td>NO.64-9</td></tr> </table> | Part No. | 199112410009 | CH part name | 前轮毂STEYR | EN part name | Front wheel hub | RU part name | Ступица передняя | Size:mm | 365*365*230 | Weight:kg | 21.5 | NO. | NO.64-9 |
| Part No. | DZ9100410058/56 | | | | | | | | | | | | | | | | | | | | | | | | | | | | | | |
| CH part name | 前轴M7.5t | | | | | | | | | | | | | | | | | | | | | | | | | | | | | | |
| EN part name | Front axle | | | | | | | | | | | | | | | | | | | | | | | | | | | | | | |
| RU part name | передняя ось | | | | | | | | | | | | | | | | | | | | | | | | | | | | | | |
| Size:mm | 1850*170*320 | | | | | | | | | | | | | | | | | | | | | | | | | | | | | | |
| Weight:kg | 128 | | | | | | | | | | | | | | | | | | | | | | | | | | | | | | |
| NO. | NO.64-41 | | | | | | | | | | | | | | | | | | | | | | | | | | | | | | |
| Part No. | 199112410009 | | | | | | | | | | | | | | | | | | | | | | | | | | | | | | |
| CH part name | 前轮毂STEYR | | | | | | | | | | | | | | | | | | | | | | | | | | | | | | |
| EN part name | Front wheel hub | | | | | | | | | | | | | | | | | | | | | | | | | | | | | | |
| RU part name | Ступица передняя | | | | | | | | | | | | | | | | | | | | | | | | | | | | | | |
| Size:mm | 365*365*230 | | | | | | | | | | | | | | | | | | | | | | | | | | | | | | |
| Weight:kg | 21.5 | | | | | | | | | | | | | | | | | | | | | | | | | | | | | | |
| NO. | NO.64-9 | | | | | | | | | | | | | | | | | | | | | | | | | | | | | | |
| Remarks: SHACMAN F3000 F2000 X3000 M3000 8*4 6*4 DZ00910040420(9.5t) | | Remarks: SHACMAN F3000 F2000 X3000 M3000 8*4 6*4 HD91009410012 | | | | | | | | | | | | | | | | | | | | | | | | | | | | | |
|  | <table border="1"> <tr><td>Part No.</td><td>199112410055/0056</td></tr> <tr><td>CH part name</td><td>转向节L/R</td></tr> <tr><td>EN part name</td><td>Steering knuckle assy.</td></tr> <tr><td>RU part name</td><td>Поворотный кулак в сборе</td></tr> <tr><td>Size:mm</td><td>350*270*220</td></tr> <tr><td>Weight:kg</td><td>23.9</td></tr> <tr><td>NO.</td><td>NO.64-15</td></tr> </table> | Part No. | 199112410055/0056 | CH part name | 转向节L/R | EN part name | Steering knuckle assy. | RU part name | Поворотный кулак в сборе | Size:mm | 350*270*220 | Weight:kg | 23.9 | NO. | NO.64-15 |  | <table border="1"> <tr><td>Part No.</td><td>190003326531</td></tr> <tr><td>CH part name</td><td>轮毂外轴承32310</td></tr> <tr><td>EN part name</td><td>Front wheel outer bearing</td></tr> <tr><td>RU part name</td><td>Подшипник передний ступицы наружный</td></tr> <tr><td>Size:mm</td><td>10*110*50</td></tr> <tr><td>Weight:kg</td><td>1.83</td></tr> <tr><td>NO.</td><td>NO.64-7</td></tr> </table> | Part No. | 190003326531 | CH part name | 轮毂外轴承32310 | EN part name | Front wheel outer bearing | RU part name | Подшипник передний ступицы наружный | Size:mm | 10*110*50 | Weight:kg | 1.83 | NO. | NO.64-7 |
| Part No. | 199112410055/0056 | | | | | | | | | | | | | | | | | | | | | | | | | | | | | | |
| CH part name | 转向节L/R | | | | | | | | | | | | | | | | | | | | | | | | | | | | | | |
| EN part name | Steering knuckle assy. | | | | | | | | | | | | | | | | | | | | | | | | | | | | | | |
| RU part name | Поворотный кулак в сборе | | | | | | | | | | | | | | | | | | | | | | | | | | | | | | |
| Size:mm | 350*270*220 | | | | | | | | | | | | | | | | | | | | | | | | | | | | | | |
| Weight:kg | 23.9 | | | | | | | | | | | | | | | | | | | | | | | | | | | | | | |
| NO. | NO.64-15 | | | | | | | | | | | | | | | | | | | | | | | | | | | | | | |
| Part No. | 190003326531 | | | | | | | | | | | | | | | | | | | | | | | | | | | | | | |
| CH part name | 轮毂外轴承32310 | | | | | | | | | | | | | | | | | | | | | | | | | | | | | | |
| EN part name | Front wheel outer bearing | | | | | | | | | | | | | | | | | | | | | | | | | | | | | | |
| RU part name | Подшипник передний ступицы наружный | | | | | | | | | | | | | | | | | | | | | | | | | | | | | | |
| Size:mm | 10*110*50 | | | | | | | | | | | | | | | | | | | | | | | | | | | | | | |
| Weight:kg | 1.83 | | | | | | | | | | | | | | | | | | | | | | | | | | | | | | |
| NO. | NO.64-7 | | | | | | | | | | | | | | | | | | | | | | | | | | | | | | |
| Remarks: SHACMAN F3000 F2000 X3000 M3000 8*4 6*4 | | Remarks: SHACMAN F3000 F2000 X3000 M3000 8*4 6*4 | | | | | | | | | | | | | | | | | | | | | | | | | | | | | |
|  | <table border="1"> <tr><td>Part No.</td><td>190003326543</td></tr> <tr><td>CH part name</td><td>轮毂内轴承32314</td></tr> <tr><td>EN part name</td><td>Front wheel inner bearing</td></tr> <tr><td>RU part name</td><td>Подшипник передний ступицы внутренних</td></tr> <tr><td>Size:mm</td><td>70*150*54</td></tr> <tr><td>Weight:kg</td><td>4.4</td></tr> <tr><td>NO.</td><td>NO.64-11</td></tr> </table> | Part No. | 190003326543 | CH part name | 轮毂内轴承32314 | EN part name | Front wheel inner bearing | RU part name | Подшипник передний ступицы внутренних | Size:mm | 70*150*54 | Weight:kg | 4.4 | NO. | NO.64-11 |  | <table border="1"> <tr><td>Part No.</td><td>190003074387</td></tr> <tr><td>CH part name</td><td>前轮毂油封</td></tr> <tr><td>EN part name</td><td>Packing ring</td></tr> <tr><td>RU part name</td><td>упаковка кольцо</td></tr> <tr><td>Size:mm</td><td>140*160*12</td></tr> <tr><td>Weight:kg</td><td>0.09</td></tr> <tr><td>NO.</td><td>NO.64-12</td></tr> </table> | Part No. | 190003074387 | CH part name | 前轮毂油封 | EN part name | Packing ring | RU part name | упаковка кольцо | Size:mm | 140*160*12 | Weight:kg | 0.09 | NO. | NO.64-12 |
| Part No. | 190003326543 | | | | | | | | | | | | | | | | | | | | | | | | | | | | | | |
| CH part name | 轮毂内轴承32314 | | | | | | | | | | | | | | | | | | | | | | | | | | | | | | |
| EN part name | Front wheel inner bearing | | | | | | | | | | | | | | | | | | | | | | | | | | | | | | |
| RU part name | Подшипник передний ступицы внутренних | | | | | | | | | | | | | | | | | | | | | | | | | | | | | | |
| Size:mm | 70*150*54 | | | | | | | | | | | | | | | | | | | | | | | | | | | | | | |
| Weight:kg | 4.4 | | | | | | | | | | | | | | | | | | | | | | | | | | | | | | |
| NO. | NO.64-11 | | | | | | | | | | | | | | | | | | | | | | | | | | | | | | |
| Part No. | 190003074387 | | | | | | | | | | | | | | | | | | | | | | | | | | | | | | |
| CH part name | 前轮毂油封 | | | | | | | | | | | | | | | | | | | | | | | | | | | | | | |
| EN part name | Packing ring | | | | | | | | | | | | | | | | | | | | | | | | | | | | | | |
| RU part name | упаковка кольцо | | | | | | | | | | | | | | | | | | | | | | | | | | | | | | |
| Size:mm | 140*160*12 | | | | | | | | | | | | | | | | | | | | | | | | | | | | | | |
| Weight:kg | 0.09 | | | | | | | | | | | | | | | | | | | | | | | | | | | | | | |
| NO. | NO.64-12 | | | | | | | | | | | | | | | | | | | | | | | | | | | | | | |
| Remarks: SHACMAN F3000 F2000 X3000 M3000 8*4 6*4 | | Remarks: SHACMAN F3000 F2000 X3000 M3000 8*4 6*4 | | | | | | | | | | | | | | | | | | | | | | | | | | | | | |
|  | <table border="1"> <tr><td>Part No.</td><td>199000410114</td></tr> <tr><td>CH part name</td><td>隔环</td></tr> <tr><td>EN part name</td><td>Spacing collar</td></tr> <tr><td>RU part name</td><td>дистанционное кольцо</td></tr> <tr><td>Size:mm</td><td></td></tr> <tr><td>Weight:kg</td><td>0.98</td></tr> <tr><td>NO.</td><td>NO.64-13</td></tr> </table> | Part No. | 199000410114 | CH part name | 隔环 | EN part name | Spacing collar | RU part name | дистанционное кольцо | Size:mm | | Weight:kg | 0.98 | NO. | NO.64-13 |  | <table border="1"> <tr><td>Part No.</td><td>DZ9100410452</td></tr> <tr><td>CH part name</td><td>转向节主销 8t</td></tr> <tr><td>EN part name</td><td>Steering knuckle assy.</td></tr> <tr><td>RU part name</td><td>Поворотный кулак в сборе</td></tr> <tr><td>Size:mm</td><td></td></tr> <tr><td>Weight:kg</td><td>2.8</td></tr> <tr><td>NO.</td><td>NO.64-34</td></tr> </table> | Part No. | DZ9100410452 | CH part name | 转向节主销 8t | EN part name | Steering knuckle assy. | RU part name | Поворотный кулак в сборе | Size:mm | | Weight:kg | 2.8 | NO. | NO.64-34 |
| Part No. | 199000410114 | | | | | | | | | | | | | | | | | | | | | | | | | | | | | | |
| CH part name | 隔环 | | | | | | | | | | | | | | | | | | | | | | | | | | | | | | |
| EN part name | Spacing collar | | | | | | | | | | | | | | | | | | | | | | | | | | | | | | |
| RU part name | дистанционное кольцо | | | | | | | | | | | | | | | | | | | | | | | | | | | | | | |
| Size:mm | | | | | | | | | | | | | | | | | | | | | | | | | | | | | | | |
| Weight:kg | 0.98 | | | | | | | | | | | | | | | | | | | | | | | | | | | | | | |
| NO. | NO.64-13 | | | | | | | | | | | | | | | | | | | | | | | | | | | | | | |
| Part No. | DZ9100410452 | | | | | | | | | | | | | | | | | | | | | | | | | | | | | | |
| CH part name | 转向节主销 8t | | | | | | | | | | | | | | | | | | | | | | | | | | | | | | |
| EN part name | Steering knuckle assy. | | | | | | | | | | | | | | | | | | | | | | | | | | | | | | |
| RU part name | Поворотный кулак в сборе | | | | | | | | | | | | | | | | | | | | | | | | | | | | | | |
| Size:mm | | | | | | | | | | | | | | | | | | | | | | | | | | | | | | | |
| Weight:kg | 2.8 | | | | | | | | | | | | | | | | | | | | | | | | | | | | | | |
| NO. | NO.64-34 | | | | | | | | | | | | | | | | | | | | | | | | | | | | | | |
| Remarks: SHACMAN F3000 F2000 X3000 M3000 8*4 6*4 | | Remarks: SHACMAN F3000 F2000 X3000 M3000 8*4 6*4 | | | | | | | | | | | | | | | | | | | | | | | | | | | | | |

SHACMAN(1)

| the front axle | | NO.64 | |
|---|---|--------------------------------------|--|
|  | KD1177 | | |
| |  | | |
| | Part No. | DZ9100410452-XLB | |
| | CH part name | 转向节修理包 | |
| | EN part name | Steering knuckle repair kit | |
| | RU part name | руководящий огузок аптечка | |
| | Size:mm | | |
| | Weight:kg | 9.2 | |
| | NO. | NO.64-34 | |
| | Remarks: SHACMAN F3000 F2000 X3000 M3000 8*4 6*4 | | |
|  | KD1178 | | |
| |  | | |
| | Part No. | 188000410029 | |
| | CH part name | 转向节衬套 | |
| | EN part name | Bush | |
| | RU part name | буш | |
| | Size:mm | | |
| | Weight:kg | 0.2 | |
| | NO. | NO.64-36 | |
| | Remarks: SHACMAN F3000 F2000 X3000 M3000 8*4 6*4 | | |
| KD1179 | | | |
|  | Part No. | AZ9100410032/36 | |
| | CH part name | 支架总成(L/R) | |
| | EN part name | Front cylinder bracket (left)(right) | |
| | RU part name | Кронштейн передний (левый)(правый) | |
| | Size:mm | 300*200*200 | |
| | Weight:kg | 5.4 | |
| | NO. | 36-20-42 | |
| Remarks: SHACMAN F3000 F2000 X3000 M3000 8*4 6*4 | | | |
| KD1180 | | | |
|  | Part No. | 188000410038 | |
| | CH part name | 制动蹄销 | |
| | EN part name | Break hoof pin | |
| | RU part name | Палец колодки | |
| | Size:mm | 200*4 | |
| | Weight:kg | 1.4 | |
| | NO. | NO.64-35 | |
| Remarks: SHACMAN F3000 F2000 X3000 M3000 8*4 6*4 | | | |
| KD1181 | | | |
|  | Part No. | DZ9112410013 | |
| | CH part name | 转向横拉杆臂(左) | |
| | EN part name | Steering trapezium arm (left) | |
| | RU part name | Рычаг поворотный левый | |
| | Size:mm | 350*100*60 | |
| | Weight:kg | 3.8 | |
| | NO. | NO.64-25 | |
| Remarks: SHACMAN F3000 F2000 X3000 M3000 8*4 6*4 | | | |
| KD1182 | | | |
|  | Part No. | DZ9112410014 | |
| | CH part name | 转向横拉杆臂(右) | |
| | EN part name | Steering trapezium arm (right) | |
| | RU part name | Рычаг поворотный правый | |
| | Size:mm | 350*100*60 | |
| | Weight:kg | 3.8 | |
| | NO. | NO.64-24 | |
| Remarks: SHACMAN F3000 F2000 X3000 M3000 8*4 6*4 | | | |

SHACMAN(1)

| the front axle MAN | | NO.A64 | | |
|---|---|---|--------------------------------------|--|
|  | KD1183 | | | |
| |  | | Part No. 81.46711.6725 | |
| | | | CH part name 转向横拉杆 7.5t | |
| | | | EN part name Steering tie rod | |
| | | | RU part name Поперечная рулевая тяга | |
| | | | Size:mm 1700*140*60 | |
| | | | Weight:kg 11.5 | |
| | | | NO. NO.A64-M1 NO.64-44 | |
| | Remarks: SHACMAN F3000 F2000 X3000 M3000 8*4 6*4 | | | |
| |  | KD1184 | | |
|  | | Part No. 199000410104 | | |
| | | CH part name 前轮螺栓STR | | |
| | | EN part name Front wheel bolt | | |
| | | RU part name Болты переднего колеса | | |
| | | Size:mm 100*50*50 | | |
| | | Weight:kg 0.45 | | |
| | | NO. NO.64-10 | | |
| Remarks: SHACMAN F3000 F2000 X3000 M3000 8*4 6*4 99000410103 | | | | |
| KD1185 | | KD1186 | | |
|  | Part No. 81.44301.0146 |  | Part No. 1160-3001141 | |
| | CH part name 前轮毂MAN 7.5t | | CH part name 转向节螺母STR | |
| | EN part name Front wheel hub | | EN part name Hex.screw | |
| | RU part name Ступица передняя | | RU part name гайка | |
| | Size:mm 365*365*230 | | Size:mm | |
| | Weight:kg 20.2 | | Weight:kg 0.15 | |
| | NO. NO.A64-8 | | NO. NO.64-5 | |
| Remarks: SHACMAN F3000 F2000 X3000 M3000 8*4 6*4 | | Remarks: SHACMAN F3000 F2000 X3000 M3000 8*4 6*4 AZ9100412387 | | |
| KD1187 | | KD1188 | | |
|  | Part No. 81.44201.0143 |  | Part No. HD90009410196 | |
| | CH part name 转向节MAN 7.5t | | CH part name 前轮毂MAN 9.5t | |
| | EN part name Steering knuckle assy. | | EN part name Front wheel hub | |
| | RU part name Поворотный кулак в сборе | | RU part name Ступица передняя | |
| | Size:mm 350*270*220 | | Size:mm 365*365*230 | |
| | Weight:kg 23.9 | | Weight:kg 20.2 | |
| | NO. NO.A64-14 | | NO. NO.A64-8 | |
| Remarks: SHACMAN F3000 F2000 X3000 M3000 8*4 6*4 | | Remarks: SHACMAN F3000 F2000 X3000 M3000 8*4 6*4 DZ95009410007 DZ9100410121 | | |

SHACMAN(1)

| | | | | | | | | | | | | | | | | | | | | | | | | | | | | | | | |
|---|--|--|---------------|--------------|--------------|--------------|-------------------------------|--------------|---------------------------------|---------|------------|-----------|-----|-----|------------------|---|--|----------|---------------|--------------|----------------|--------------|--------------------------------|--------------|--------------------------|---------|-------------|-----------|------|-----|------------------|
|  | <table border="1"> <tr><td>Part No.</td><td>81.46705.0267</td></tr> <tr><td>CH part name</td><td>转向节臂(左)7.5t</td></tr> <tr><td>EN part name</td><td>Steering knuckle arm (left)</td></tr> <tr><td>RU part name</td><td>Рычаг цапфы левый</td></tr> <tr><td>Size:mm</td><td>380*180*50</td></tr> <tr><td>Weight:kg</td><td>3.8</td></tr> <tr><td>NO.</td><td>NO.A64-22</td></tr> </table> | Part No. | 81.46705.0267 | CH part name | 转向节臂(左)7.5t | EN part name | Steering knuckle arm (left) | RU part name | Рычаг цапфы левый | Size:mm | 380*180*50 | Weight:kg | 3.8 | NO. | NO.A64-22 |  | <table border="1"> <tr><td>Part No.</td><td>DZ9100410400</td></tr> <tr><td>CH part name</td><td>转向节MAN (左)9.5t</td></tr> <tr><td>EN part name</td><td>Steering knuckle assy.</td></tr> <tr><td>RU part name</td><td>Поворотный кулак в сборе</td></tr> <tr><td>Size:mm</td><td>350*270*220</td></tr> <tr><td>Weight:kg</td><td>23.9</td></tr> <tr><td>NO.</td><td>NO.A64-14</td></tr> </table> | Part No. | DZ9100410400 | CH part name | 转向节MAN (左)9.5t | EN part name | Steering knuckle assy. | RU part name | Поворотный кулак в сборе | Size:mm | 350*270*220 | Weight:kg | 23.9 | NO. | NO.A64-14 |
| Part No. | 81.46705.0267 | | | | | | | | | | | | | | | | | | | | | | | | | | | | | | |
| CH part name | 转向节臂(左)7.5t | | | | | | | | | | | | | | | | | | | | | | | | | | | | | | |
| EN part name | Steering knuckle arm (left) | | | | | | | | | | | | | | | | | | | | | | | | | | | | | | |
| RU part name | Рычаг цапфы левый | | | | | | | | | | | | | | | | | | | | | | | | | | | | | | |
| Size:mm | 380*180*50 | | | | | | | | | | | | | | | | | | | | | | | | | | | | | | |
| Weight:kg | 3.8 | | | | | | | | | | | | | | | | | | | | | | | | | | | | | | |
| NO. | NO.A64-22 | | | | | | | | | | | | | | | | | | | | | | | | | | | | | | |
| Part No. | DZ9100410400 | | | | | | | | | | | | | | | | | | | | | | | | | | | | | | |
| CH part name | 转向节MAN (左)9.5t | | | | | | | | | | | | | | | | | | | | | | | | | | | | | | |
| EN part name | Steering knuckle assy. | | | | | | | | | | | | | | | | | | | | | | | | | | | | | | |
| RU part name | Поворотный кулак в сборе | | | | | | | | | | | | | | | | | | | | | | | | | | | | | | |
| Size:mm | 350*270*220 | | | | | | | | | | | | | | | | | | | | | | | | | | | | | | |
| Weight:kg | 23.9 | | | | | | | | | | | | | | | | | | | | | | | | | | | | | | |
| NO. | NO.A64-14 | | | | | | | | | | | | | | | | | | | | | | | | | | | | | | |
| Remarks: SHACMAN F3000 F2000 X3000 M3000 8*4 6*4 通用盘式桥 | | Remarks: SHACMAN F3000 F2000 X3000 M3000 8*4 6*4 DZ9100410401 (R) | | | | | | | | | | | | | | | | | | | | | | | | | | | | | |
|  | <table border="1"> <tr><td>Part No.</td><td>81.46705.0268</td></tr> <tr><td>CH part name</td><td>转向节臂(右)7.5t</td></tr> <tr><td>EN part name</td><td>Cross axle box</td></tr> <tr><td>RU part name</td><td>Картер редуктора среднего моста</td></tr> <tr><td>Size:mm</td><td>380*180*50</td></tr> <tr><td>Weight:kg</td><td>3.8</td></tr> <tr><td>NO.</td><td>NO.A64-22</td></tr> </table> | Part No. | 81.46705.0268 | CH part name | 转向节臂(右)7.5t | EN part name | Cross axle box | RU part name | Картер редуктора среднего моста | Size:mm | 380*180*50 | Weight:kg | 3.8 | NO. | NO.A64-22 |  | <table border="1"> <tr><td>Part No.</td><td>DZ9100410403</td></tr> <tr><td>CH part name</td><td>转向节臂MAN 9.5t</td></tr> <tr><td>EN part name</td><td>Steering knuckle arm (left)</td></tr> <tr><td>RU part name</td><td>Рычаг цапфы левый</td></tr> <tr><td>Size:mm</td><td>Φ30</td></tr> <tr><td>Weight:kg</td><td>3.8</td></tr> <tr><td>NO.</td><td>NO.A64-22</td></tr> </table> | Part No. | DZ9100410403 | CH part name | 转向节臂MAN 9.5t | EN part name | Steering knuckle arm (left) | RU part name | Рычаг цапфы левый | Size:mm | Φ30 | Weight:kg | 3.8 | NO. | NO.A64-22 |
| Part No. | 81.46705.0268 | | | | | | | | | | | | | | | | | | | | | | | | | | | | | | |
| CH part name | 转向节臂(右)7.5t | | | | | | | | | | | | | | | | | | | | | | | | | | | | | | |
| EN part name | Cross axle box | | | | | | | | | | | | | | | | | | | | | | | | | | | | | | |
| RU part name | Картер редуктора среднего моста | | | | | | | | | | | | | | | | | | | | | | | | | | | | | | |
| Size:mm | 380*180*50 | | | | | | | | | | | | | | | | | | | | | | | | | | | | | | |
| Weight:kg | 3.8 | | | | | | | | | | | | | | | | | | | | | | | | | | | | | | |
| NO. | NO.A64-22 | | | | | | | | | | | | | | | | | | | | | | | | | | | | | | |
| Part No. | DZ9100410403 | | | | | | | | | | | | | | | | | | | | | | | | | | | | | | |
| CH part name | 转向节臂MAN 9.5t | | | | | | | | | | | | | | | | | | | | | | | | | | | | | | |
| EN part name | Steering knuckle arm (left) | | | | | | | | | | | | | | | | | | | | | | | | | | | | | | |
| RU part name | Рычаг цапфы левый | | | | | | | | | | | | | | | | | | | | | | | | | | | | | | |
| Size:mm | Φ30 | | | | | | | | | | | | | | | | | | | | | | | | | | | | | | |
| Weight:kg | 3.8 | | | | | | | | | | | | | | | | | | | | | | | | | | | | | | |
| NO. | NO.A64-22 | | | | | | | | | | | | | | | | | | | | | | | | | | | | | | |
| Remarks: SHACMAN F3000 F2000 X3000 M3000 8*4 6*4 右置 | | Remarks: SHACMAN F3000 F2000 X3000 M3000 8*4 6*4 DZ9100410403 Φ31 | | | | | | | | | | | | | | | | | | | | | | | | | | | | | |
|  | <table border="1"> <tr><td>Part No.</td><td>81.44205.0057</td></tr> <tr><td>CH part name</td><td>转向节主销 7.5t</td></tr> <tr><td>EN part name</td><td>Steering knuckle assy.</td></tr> <tr><td>RU part name</td><td>Поворотный кулак в сборе</td></tr> <tr><td>Size:mm</td><td>223*50</td></tr> <tr><td>Weight:kg</td><td>3</td></tr> <tr><td>NO.</td><td>NO.A64-17</td></tr> </table> | Part No. | 81.44205.0057 | CH part name | 转向节主销 7.5t | EN part name | Steering knuckle assy. | RU part name | Поворотный кулак в сборе | Size:mm | 223*50 | Weight:kg | 3 | NO. | NO.A64-17 |  | <table border="1"> <tr><td>Part No.</td><td>81.44205.0055</td></tr> <tr><td>CH part name</td><td>转向节销 9.5t</td></tr> <tr><td>EN part name</td><td>Steering knuckle assy.</td></tr> <tr><td>RU part name</td><td>Поворотный кулак в сборе</td></tr> <tr><td>Size:mm</td><td>231*54.5</td></tr> <tr><td>Weight:kg</td><td>4.15</td></tr> <tr><td>NO.</td><td>NO.A64-17</td></tr> </table> | Part No. | 81.44205.0055 | CH part name | 转向节销 9.5t | EN part name | Steering knuckle assy. | RU part name | Поворотный кулак в сборе | Size:mm | 231*54.5 | Weight:kg | 4.15 | NO. | NO.A64-17 |
| Part No. | 81.44205.0057 | | | | | | | | | | | | | | | | | | | | | | | | | | | | | | |
| CH part name | 转向节主销 7.5t | | | | | | | | | | | | | | | | | | | | | | | | | | | | | | |
| EN part name | Steering knuckle assy. | | | | | | | | | | | | | | | | | | | | | | | | | | | | | | |
| RU part name | Поворотный кулак в сборе | | | | | | | | | | | | | | | | | | | | | | | | | | | | | | |
| Size:mm | 223*50 | | | | | | | | | | | | | | | | | | | | | | | | | | | | | | |
| Weight:kg | 3 | | | | | | | | | | | | | | | | | | | | | | | | | | | | | | |
| NO. | NO.A64-17 | | | | | | | | | | | | | | | | | | | | | | | | | | | | | | |
| Part No. | 81.44205.0055 | | | | | | | | | | | | | | | | | | | | | | | | | | | | | | |
| CH part name | 转向节销 9.5t | | | | | | | | | | | | | | | | | | | | | | | | | | | | | | |
| EN part name | Steering knuckle assy. | | | | | | | | | | | | | | | | | | | | | | | | | | | | | | |
| RU part name | Поворотный кулак в сборе | | | | | | | | | | | | | | | | | | | | | | | | | | | | | | |
| Size:mm | 231*54.5 | | | | | | | | | | | | | | | | | | | | | | | | | | | | | | |
| Weight:kg | 4.15 | | | | | | | | | | | | | | | | | | | | | | | | | | | | | | |
| NO. | NO.A64-17 | | | | | | | | | | | | | | | | | | | | | | | | | | | | | | |
| Remarks: SHACMAN F3000 F2000 X3000 M3000 8*4 6*4 通用盘式 | | Remarks: SHACMAN F3000 F2000 X3000 M3000 8*4 6*4 | | | | | | | | | | | | | | | | | | | | | | | | | | | | | |
|  | <table border="1"> <tr><td>Part No.</td><td>DZ9100410081</td></tr> <tr><td>CH part name</td><td>转向梯形臂(左)7.5t</td></tr> <tr><td>EN part name</td><td>Steering trapezium arm (left)</td></tr> <tr><td>RU part name</td><td>Рычаг поворотный левый</td></tr> <tr><td>Size:mm</td><td>350*100*60</td></tr> <tr><td>Weight:kg</td><td>3.8</td></tr> <tr><td>NO.</td><td>NO.A64-26</td></tr> </table> | Part No. | DZ9100410081 | CH part name | 转向梯形臂(左)7.5t | EN part name | Steering trapezium arm (left) | RU part name | Рычаг поворотный левый | Size:mm | 350*100*60 | Weight:kg | 3.8 | NO. | NO.A64-26 |  | <table border="1"> <tr><td>Part No.</td><td>DZ9100410082</td></tr> <tr><td>CH part name</td><td>转向梯形臂(右)7.5t</td></tr> <tr><td>EN part name</td><td>Steering trapezium arm (right)</td></tr> <tr><td>RU part name</td><td>Рычаг поворотный правый</td></tr> <tr><td>Size:mm</td><td>350*100*60</td></tr> <tr><td>Weight:kg</td><td>3.8</td></tr> <tr><td>NO.</td><td>NO.A64-24</td></tr> </table> | Part No. | DZ9100410082 | CH part name | 转向梯形臂(右)7.5t | EN part name | Steering trapezium arm (right) | RU part name | Рычаг поворотный правый | Size:mm | 350*100*60 | Weight:kg | 3.8 | NO. | NO.A64-24 |
| Part No. | DZ9100410081 | | | | | | | | | | | | | | | | | | | | | | | | | | | | | | |
| CH part name | 转向梯形臂(左)7.5t | | | | | | | | | | | | | | | | | | | | | | | | | | | | | | |
| EN part name | Steering trapezium arm (left) | | | | | | | | | | | | | | | | | | | | | | | | | | | | | | |
| RU part name | Рычаг поворотный левый | | | | | | | | | | | | | | | | | | | | | | | | | | | | | | |
| Size:mm | 350*100*60 | | | | | | | | | | | | | | | | | | | | | | | | | | | | | | |
| Weight:kg | 3.8 | | | | | | | | | | | | | | | | | | | | | | | | | | | | | | |
| NO. | NO.A64-26 | | | | | | | | | | | | | | | | | | | | | | | | | | | | | | |
| Part No. | DZ9100410082 | | | | | | | | | | | | | | | | | | | | | | | | | | | | | | |
| CH part name | 转向梯形臂(右)7.5t | | | | | | | | | | | | | | | | | | | | | | | | | | | | | | |
| EN part name | Steering trapezium arm (right) | | | | | | | | | | | | | | | | | | | | | | | | | | | | | | |
| RU part name | Рычаг поворотный правый | | | | | | | | | | | | | | | | | | | | | | | | | | | | | | |
| Size:mm | 350*100*60 | | | | | | | | | | | | | | | | | | | | | | | | | | | | | | |
| Weight:kg | 3.8 | | | | | | | | | | | | | | | | | | | | | | | | | | | | | | |
| NO. | NO.A64-24 | | | | | | | | | | | | | | | | | | | | | | | | | | | | | | |
| Remarks: SHACMAN F3000 F2000 X3000 M3000 8*4 6*4 | | Remarks: SHACMAN F3000 F2000 X3000 M3000 8*4 6*4 | | | | | | | | | | | | | | | | | | | | | | | | | | | | | |

SHACMAN(1)

| | | | | | | | | | | | | | | | | | | | | | | | | | | | | | | | |
|---|---|---|-------------------|--------------|------------|--------------|--------------------------------|--------------|---------------------------------------|---------|-------------|-----------|------|-----|---------------------|---|--|----------|-------------------|--------------|------------|--------------|-------------------------------|--------------|---------------------------------------|---------|--------------|-----------|------|-----|---------------------|
|  | <table border="1"> <tr><td>Part No.</td><td>HD90009410192</td></tr> <tr><td>CH part name</td><td>转向梯形臂(右)</td></tr> <tr><td>EN part name</td><td>Steering trapezium arm (right)</td></tr> <tr><td>RU part name</td><td>Рычаг поворотный правый</td></tr> <tr><td>Size:mm</td><td></td></tr> <tr><td>Weight:kg</td><td>3.5</td></tr> <tr><td>NO.</td><td>NO.A64-24</td></tr> </table> | Part No. | HD90009410192 | CH part name | 转向梯形臂(右) | EN part name | Steering trapezium arm (right) | RU part name | Рычаг поворотный правый | Size:mm | | Weight:kg | 3.5 | NO. | NO.A64-24 |  | <table border="1"> <tr><td>Part No.</td><td>HD90009410191</td></tr> <tr><td>CH part name</td><td>转向梯形臂(左)</td></tr> <tr><td>EN part name</td><td>Steering trapezium arm (left)</td></tr> <tr><td>RU part name</td><td>Рычаг поворотный левый</td></tr> <tr><td>Size:mm</td><td></td></tr> <tr><td>Weight:kg</td><td>3.5</td></tr> <tr><td>NO.</td><td>NO.A64-26</td></tr> </table> | Part No. | HD90009410191 | CH part name | 转向梯形臂(左) | EN part name | Steering trapezium arm (left) | RU part name | Рычаг поворотный левый | Size:mm | | Weight:kg | 3.5 | NO. | NO.A64-26 |
| Part No. | HD90009410192 | | | | | | | | | | | | | | | | | | | | | | | | | | | | | | |
| CH part name | 转向梯形臂(右) | | | | | | | | | | | | | | | | | | | | | | | | | | | | | | |
| EN part name | Steering trapezium arm (right) | | | | | | | | | | | | | | | | | | | | | | | | | | | | | | |
| RU part name | Рычаг поворотный правый | | | | | | | | | | | | | | | | | | | | | | | | | | | | | | |
| Size:mm | | | | | | | | | | | | | | | | | | | | | | | | | | | | | | | |
| Weight:kg | 3.5 | | | | | | | | | | | | | | | | | | | | | | | | | | | | | | |
| NO. | NO.A64-24 | | | | | | | | | | | | | | | | | | | | | | | | | | | | | | |
| Part No. | HD90009410191 | | | | | | | | | | | | | | | | | | | | | | | | | | | | | | |
| CH part name | 转向梯形臂(左) | | | | | | | | | | | | | | | | | | | | | | | | | | | | | | |
| EN part name | Steering trapezium arm (left) | | | | | | | | | | | | | | | | | | | | | | | | | | | | | | |
| RU part name | Рычаг поворотный левый | | | | | | | | | | | | | | | | | | | | | | | | | | | | | | |
| Size:mm | | | | | | | | | | | | | | | | | | | | | | | | | | | | | | | |
| Weight:kg | 3.5 | | | | | | | | | | | | | | | | | | | | | | | | | | | | | | |
| NO. | NO.A64-26 | | | | | | | | | | | | | | | | | | | | | | | | | | | | | | |
| Remarks: SHACMAN F3000 F2000 X3000 M3000 8*4 6*4 | | Remarks: SHACMAN F3000 F2000 X3000 M3000 8*4 6*4 | | | | | | | | | | | | | | | | | | | | | | | | | | | | | |
|  | <table border="1"> <tr><td>Part No.</td><td>81.46701.0290</td></tr> <tr><td>CH part name</td><td>转向梯形臂 (右)</td></tr> <tr><td>EN part name</td><td>Steering trapezium arm (right)</td></tr> <tr><td>RU part name</td><td>Рычаг поворотный правый</td></tr> <tr><td>Size:mm</td><td></td></tr> <tr><td>Weight:kg</td><td>3.8</td></tr> <tr><td>NO.</td><td>NO.A64-24</td></tr> </table> | Part No. | 81.46701.0290 | CH part name | 转向梯形臂 (右) | EN part name | Steering trapezium arm (right) | RU part name | Рычаг поворотный правый | Size:mm | | Weight:kg | 3.8 | NO. | NO.A64-24 |  | <table border="1"> <tr><td>Part No.</td><td>81.46701.0289</td></tr> <tr><td>CH part name</td><td>转向梯形臂(左)</td></tr> <tr><td>EN part name</td><td>Steering trapezium arm (left)</td></tr> <tr><td>RU part name</td><td>Рычаг поворотный левый</td></tr> <tr><td>Size:mm</td><td></td></tr> <tr><td>Weight:kg</td><td>3.8</td></tr> <tr><td>NO.</td><td>NO.A64-26</td></tr> </table> | Part No. | 81.46701.0289 | CH part name | 转向梯形臂(左) | EN part name | Steering trapezium arm (left) | RU part name | Рычаг поворотный левый | Size:mm | | Weight:kg | 3.8 | NO. | NO.A64-26 |
| Part No. | 81.46701.0290 | | | | | | | | | | | | | | | | | | | | | | | | | | | | | | |
| CH part name | 转向梯形臂 (右) | | | | | | | | | | | | | | | | | | | | | | | | | | | | | | |
| EN part name | Steering trapezium arm (right) | | | | | | | | | | | | | | | | | | | | | | | | | | | | | | |
| RU part name | Рычаг поворотный правый | | | | | | | | | | | | | | | | | | | | | | | | | | | | | | |
| Size:mm | | | | | | | | | | | | | | | | | | | | | | | | | | | | | | | |
| Weight:kg | 3.8 | | | | | | | | | | | | | | | | | | | | | | | | | | | | | | |
| NO. | NO.A64-24 | | | | | | | | | | | | | | | | | | | | | | | | | | | | | | |
| Part No. | 81.46701.0289 | | | | | | | | | | | | | | | | | | | | | | | | | | | | | | |
| CH part name | 转向梯形臂(左) | | | | | | | | | | | | | | | | | | | | | | | | | | | | | | |
| EN part name | Steering trapezium arm (left) | | | | | | | | | | | | | | | | | | | | | | | | | | | | | | |
| RU part name | Рычаг поворотный левый | | | | | | | | | | | | | | | | | | | | | | | | | | | | | | |
| Size:mm | | | | | | | | | | | | | | | | | | | | | | | | | | | | | | | |
| Weight:kg | 3.8 | | | | | | | | | | | | | | | | | | | | | | | | | | | | | | |
| NO. | NO.A64-26 | | | | | | | | | | | | | | | | | | | | | | | | | | | | | | |
| Remarks: SHACMAN F3000 F2000 X3000 M3000 8*4 6*4 | | Remarks: SHACMAN F3000 F2000 X3000 M3000 8*4 6*4 | | | | | | | | | | | | | | | | | | | | | | | | | | | | | |
|  | <table border="1"> <tr><td>Part No.</td><td>81.93420.0074</td></tr> <tr><td>CH part name</td><td>前轮毂内轴承</td></tr> <tr><td>EN part name</td><td>Front wheel inner bearing</td></tr> <tr><td>RU part name</td><td>Подшипник передний ступицы внутренних</td></tr> <tr><td>Size:mm</td><td>130*130*60</td></tr> <tr><td>Weight:kg</td><td>2.73</td></tr> <tr><td>NO.</td><td>NO.A64-11</td></tr> </table> | Part No. | 81.93420.0074 | CH part name | 前轮毂内轴承 | EN part name | Front wheel inner bearing | RU part name | Подшипник передний ступицы внутренних | Size:mm | 130*130*60 | Weight:kg | 2.73 | NO. | NO.A64-11 |  | <table border="1"> <tr><td>Part No.</td><td>06.32499.0034</td></tr> <tr><td>CH part name</td><td>前轮毂外/内轴承</td></tr> <tr><td>EN part name</td><td>Front wheel inner bearing</td></tr> <tr><td>RU part name</td><td>Подшипник передний ступицы внутренних</td></tr> <tr><td>Size:mm</td><td>120*120*31.5</td></tr> <tr><td>Weight:kg</td><td>1.84</td></tr> <tr><td>NO.</td><td>NO.A64-5</td></tr> </table> | Part No. | 06.32499.0034 | CH part name | 前轮毂外/内轴承 | EN part name | Front wheel inner bearing | RU part name | Подшипник передний ступицы внутренних | Size:mm | 120*120*31.5 | Weight:kg | 1.84 | NO. | NO.A64-5 |
| Part No. | 81.93420.0074 | | | | | | | | | | | | | | | | | | | | | | | | | | | | | | |
| CH part name | 前轮毂内轴承 | | | | | | | | | | | | | | | | | | | | | | | | | | | | | | |
| EN part name | Front wheel inner bearing | | | | | | | | | | | | | | | | | | | | | | | | | | | | | | |
| RU part name | Подшипник передний ступицы внутренних | | | | | | | | | | | | | | | | | | | | | | | | | | | | | | |
| Size:mm | 130*130*60 | | | | | | | | | | | | | | | | | | | | | | | | | | | | | | |
| Weight:kg | 2.73 | | | | | | | | | | | | | | | | | | | | | | | | | | | | | | |
| NO. | NO.A64-11 | | | | | | | | | | | | | | | | | | | | | | | | | | | | | | |
| Part No. | 06.32499.0034 | | | | | | | | | | | | | | | | | | | | | | | | | | | | | | |
| CH part name | 前轮毂外/内轴承 | | | | | | | | | | | | | | | | | | | | | | | | | | | | | | |
| EN part name | Front wheel inner bearing | | | | | | | | | | | | | | | | | | | | | | | | | | | | | | |
| RU part name | Подшипник передний ступицы внутренних | | | | | | | | | | | | | | | | | | | | | | | | | | | | | | |
| Size:mm | 120*120*31.5 | | | | | | | | | | | | | | | | | | | | | | | | | | | | | | |
| Weight:kg | 1.84 | | | | | | | | | | | | | | | | | | | | | | | | | | | | | | |
| NO. | NO.A64-5 | | | | | | | | | | | | | | | | | | | | | | | | | | | | | | |
| Remarks: SHACMAN F3000 F2000 X3000 M3000 8*4 6*4 | | Remarks: SHACMAN F3000 F2000 X3000 M3000 8*4 6*4 81.93420.0081 7.5t | | | | | | | | | | | | | | | | | | | | | | | | | | | | | |
|  | <table border="1"> <tr><td>Part No.</td><td>81.44205.0057-XLB</td></tr> <tr><td>CH part name</td><td>前轴修理包 7.5t</td></tr> <tr><td>EN part name</td><td>Steering knuckle repair kit</td></tr> <tr><td>RU part name</td><td>Ремкомплект шкворня</td></tr> <tr><td>Size:mm</td><td>280*150*120</td></tr> <tr><td>Weight:kg</td><td>4</td></tr> <tr><td>NO.</td><td>NO.A64-16-33</td></tr> </table> | Part No. | 81.44205.0057-XLB | CH part name | 前轴修理包 7.5t | EN part name | Steering knuckle repair kit | RU part name | Ремкомплект шкворня | Size:mm | 280*150*120 | Weight:kg | 4 | NO. | NO.A64-16-33 |  | <table border="1"> <tr><td>Part No.</td><td>81.44205.0055-XLB</td></tr> <tr><td>CH part name</td><td>前轴修理包 9.5t</td></tr> <tr><td>EN part name</td><td>Steering knuckle repair kit</td></tr> <tr><td>RU part name</td><td>Ремкомплект шкворня</td></tr> <tr><td>Size:mm</td><td>280*150*120</td></tr> <tr><td>Weight:kg</td><td>4</td></tr> <tr><td>NO.</td><td>NO.A64-16-33</td></tr> </table> | Part No. | 81.44205.0055-XLB | CH part name | 前轴修理包 9.5t | EN part name | Steering knuckle repair kit | RU part name | Ремкомплект шкворня | Size:mm | 280*150*120 | Weight:kg | 4 | NO. | NO.A64-16-33 |
| Part No. | 81.44205.0057-XLB | | | | | | | | | | | | | | | | | | | | | | | | | | | | | | |
| CH part name | 前轴修理包 7.5t | | | | | | | | | | | | | | | | | | | | | | | | | | | | | | |
| EN part name | Steering knuckle repair kit | | | | | | | | | | | | | | | | | | | | | | | | | | | | | | |
| RU part name | Ремкомплект шкворня | | | | | | | | | | | | | | | | | | | | | | | | | | | | | | |
| Size:mm | 280*150*120 | | | | | | | | | | | | | | | | | | | | | | | | | | | | | | |
| Weight:kg | 4 | | | | | | | | | | | | | | | | | | | | | | | | | | | | | | |
| NO. | NO.A64-16-33 | | | | | | | | | | | | | | | | | | | | | | | | | | | | | | |
| Part No. | 81.44205.0055-XLB | | | | | | | | | | | | | | | | | | | | | | | | | | | | | | |
| CH part name | 前轴修理包 9.5t | | | | | | | | | | | | | | | | | | | | | | | | | | | | | | |
| EN part name | Steering knuckle repair kit | | | | | | | | | | | | | | | | | | | | | | | | | | | | | | |
| RU part name | Ремкомплект шкворня | | | | | | | | | | | | | | | | | | | | | | | | | | | | | | |
| Size:mm | 280*150*120 | | | | | | | | | | | | | | | | | | | | | | | | | | | | | | |
| Weight:kg | 4 | | | | | | | | | | | | | | | | | | | | | | | | | | | | | | |
| NO. | NO.A64-16-33 | | | | | | | | | | | | | | | | | | | | | | | | | | | | | | |
| Remarks: SHACMAN F3000 F2000 X3000 M3000 8*4 6*4 | | Remarks: SHACMAN F3000 F2000 X3000 M3000 8*4 6*4 | | | | | | | | | | | | | | | | | | | | | | | | | | | | | |

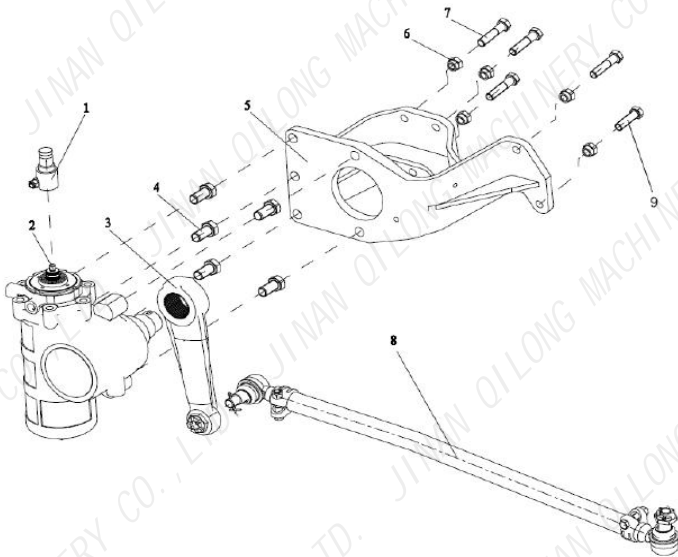
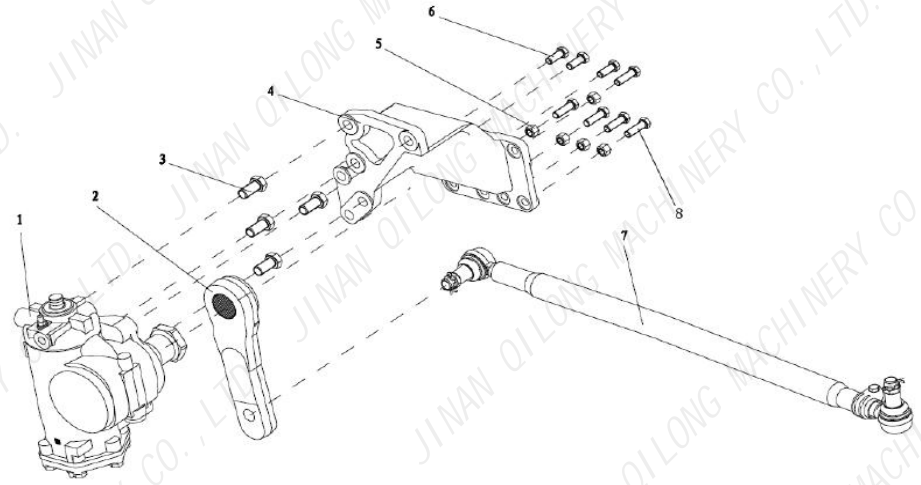




SHACMAN(1)

| | | | | | | | | | | | | | | | | | | | | | | | | | | | | | | | |
|---|---|---|---------------|--------------|--------------|--------------|--------------------|--------------|---------------------------------|---------|----------|-----------|-------|-----|------------------|---|---|----------|---------------|--------------|--------------|--------------|---------------------------|--------------|---------------------------------------|---------|------------|-----------|------|-----|------------------|
|  | <table border="1"> <tr><td>Part No.</td><td>06.56279.0340</td></tr> <tr><td>CH part name</td><td>轮毂内油封 9.5t</td></tr> <tr><td>EN part name</td><td>Seal ring for axle</td></tr> <tr><td>RU part name</td><td>перстнем на кольцо axlele асеал</td></tr> <tr><td>Size:mm</td><td></td></tr> <tr><td>Weight:kg</td><td>0.106</td></tr> <tr><td>NO.</td><td>NO.A64-12</td></tr> </table> | Part No. | 06.56279.0340 | CH part name | 轮毂内油封 9.5t | EN part name | Seal ring for axle | RU part name | перстнем на кольцо axlele асеал | Size:mm | | Weight:kg | 0.106 | NO. | NO.A64-12 |  | <table border="1"> <tr><td>Part No.</td><td>06.56289.0267</td></tr> <tr><td>CH part name</td><td>轮毂内油封 7.5t</td></tr> <tr><td>EN part name</td><td>Seal ring for axle</td></tr> <tr><td>RU part name</td><td>перстнем на кольцо axlele асеал</td></tr> <tr><td>Size:mm</td><td>100*130*12</td></tr> <tr><td>Weight:kg</td><td>0.11</td></tr> <tr><td>NO.</td><td>NO.A64-12</td></tr> </table> | Part No. | 06.56289.0267 | CH part name | 轮毂内油封 7.5t | EN part name | Seal ring for axle | RU part name | перстнем на кольцо axlele асеал | Size:mm | 100*130*12 | Weight:kg | 0.11 | NO. | NO.A64-12 |
| Part No. | 06.56279.0340 | | | | | | | | | | | | | | | | | | | | | | | | | | | | | | |
| CH part name | 轮毂内油封 9.5t | | | | | | | | | | | | | | | | | | | | | | | | | | | | | | |
| EN part name | Seal ring for axle | | | | | | | | | | | | | | | | | | | | | | | | | | | | | | |
| RU part name | перстнем на кольцо axlele асеал | | | | | | | | | | | | | | | | | | | | | | | | | | | | | | |
| Size:mm | | | | | | | | | | | | | | | | | | | | | | | | | | | | | | | |
| Weight:kg | 0.106 | | | | | | | | | | | | | | | | | | | | | | | | | | | | | | |
| NO. | NO.A64-12 | | | | | | | | | | | | | | | | | | | | | | | | | | | | | | |
| Part No. | 06.56289.0267 | | | | | | | | | | | | | | | | | | | | | | | | | | | | | | |
| CH part name | 轮毂内油封 7.5t | | | | | | | | | | | | | | | | | | | | | | | | | | | | | | |
| EN part name | Seal ring for axle | | | | | | | | | | | | | | | | | | | | | | | | | | | | | | |
| RU part name | перстнем на кольцо axlele асеал | | | | | | | | | | | | | | | | | | | | | | | | | | | | | | |
| Size:mm | 100*130*12 | | | | | | | | | | | | | | | | | | | | | | | | | | | | | | |
| Weight:kg | 0.11 | | | | | | | | | | | | | | | | | | | | | | | | | | | | | | |
| NO. | NO.A64-12 | | | | | | | | | | | | | | | | | | | | | | | | | | | | | | |
| Remarks: SHACMAN F3000 F2000 X3000 M3000 8*4 6*4 | | Remarks: SHACMAN F3000 F2000 X3000 M3000 8*4 6*4 | | | | | | | | | | | | | | | | | | | | | | | | | | | | | |
|  | <table border="1"> <tr><td>Part No.</td><td>81.92901.0066</td></tr> <tr><td>CH part name</td><td>转向节锁紧螺母</td></tr> <tr><td>EN part name</td><td>Knuckle nut</td></tr> <tr><td>RU part name</td><td>Гайка</td></tr> <tr><td>Size:mm</td><td>65*65*35</td></tr> <tr><td>Weight:kg</td><td>0.3</td></tr> <tr><td>NO.</td><td>NO.A64-3</td></tr> </table> | Part No. | 81.92901.0066 | CH part name | 转向节锁紧螺母 | EN part name | Knuckle nut | RU part name | Гайка | Size:mm | 65*65*35 | Weight:kg | 0.3 | NO. | NO.A64-3 |  | <table border="1"> <tr><td>Part No.</td><td>06.32499.0190</td></tr> <tr><td>CH part name</td><td>前轮毂内轴承</td></tr> <tr><td>EN part name</td><td>Front wheel inner bearing</td></tr> <tr><td>RU part name</td><td>Подшипник передний ступицы внутренних</td></tr> <tr><td>Size:mm</td><td>130*130*60</td></tr> <tr><td>Weight:kg</td><td>2.73</td></tr> <tr><td>NO.</td><td>NO.A64-11</td></tr> </table> | Part No. | 06.32499.0190 | CH part name | 前轮毂内轴承 | EN part name | Front wheel inner bearing | RU part name | Подшипник передний ступицы внутренних | Size:mm | 130*130*60 | Weight:kg | 2.73 | NO. | NO.A64-11 |
| Part No. | 81.92901.0066 | | | | | | | | | | | | | | | | | | | | | | | | | | | | | | |
| CH part name | 转向节锁紧螺母 | | | | | | | | | | | | | | | | | | | | | | | | | | | | | | |
| EN part name | Knuckle nut | | | | | | | | | | | | | | | | | | | | | | | | | | | | | | |
| RU part name | Гайка | | | | | | | | | | | | | | | | | | | | | | | | | | | | | | |
| Size:mm | 65*65*35 | | | | | | | | | | | | | | | | | | | | | | | | | | | | | | |
| Weight:kg | 0.3 | | | | | | | | | | | | | | | | | | | | | | | | | | | | | | |
| NO. | NO.A64-3 | | | | | | | | | | | | | | | | | | | | | | | | | | | | | | |
| Part No. | 06.32499.0190 | | | | | | | | | | | | | | | | | | | | | | | | | | | | | | |
| CH part name | 前轮毂内轴承 | | | | | | | | | | | | | | | | | | | | | | | | | | | | | | |
| EN part name | Front wheel inner bearing | | | | | | | | | | | | | | | | | | | | | | | | | | | | | | |
| RU part name | Подшипник передний ступицы внутренних | | | | | | | | | | | | | | | | | | | | | | | | | | | | | | |
| Size:mm | 130*130*60 | | | | | | | | | | | | | | | | | | | | | | | | | | | | | | |
| Weight:kg | 2.73 | | | | | | | | | | | | | | | | | | | | | | | | | | | | | | |
| NO. | NO.A64-11 | | | | | | | | | | | | | | | | | | | | | | | | | | | | | | |
| Remarks: SHACMAN F3000 F2000 X3000 M3000 8*4 6*4 通用盘式 | | Remarks: SHACMAN F3000 8*4 6*4 9.5t | | | | | | | | | | | | | | | | | | | | | | | | | | | | | |
|  | <table border="1"> <tr><td>Part No.</td><td>81.93402.6003</td></tr> <tr><td>CH part name</td><td>转向节衬套(下)7.5t</td></tr> <tr><td>EN part name</td><td>Bush (lower)</td></tr> <tr><td>RU part name</td><td>Втулка шкворня нижняя</td></tr> <tr><td>Size:mm</td><td>58*58*25</td></tr> <tr><td>Weight:kg</td><td>0.2</td></tr> <tr><td>NO.</td><td>NO.A64-32</td></tr> </table> | Part No. | 81.93402.6003 | CH part name | 转向节衬套(下)7.5t | EN part name | Bush (lower) | RU part name | Втулка шкворня нижняя | Size:mm | 58*58*25 | Weight:kg | 0.2 | NO. | NO.A64-32 |  | <table border="1"> <tr><td>Part No.</td><td>06.33719.0097</td></tr> <tr><td>CH part name</td><td>滚针轴承(下) 9.5t</td></tr> <tr><td>EN part name</td><td>Bush (lower)</td></tr> <tr><td>RU part name</td><td>Втулка шкворня нижняя</td></tr> <tr><td>Size:mm</td><td>62*62*27</td></tr> <tr><td>Weight:kg</td><td>0.6</td></tr> <tr><td>NO.</td><td>NO.A64-32</td></tr> </table> | Part No. | 06.33719.0097 | CH part name | 滚针轴承(下) 9.5t | EN part name | Bush (lower) | RU part name | Втулка шкворня нижняя | Size:mm | 62*62*27 | Weight:kg | 0.6 | NO. | NO.A64-32 |
| Part No. | 81.93402.6003 | | | | | | | | | | | | | | | | | | | | | | | | | | | | | | |
| CH part name | 转向节衬套(下)7.5t | | | | | | | | | | | | | | | | | | | | | | | | | | | | | | |
| EN part name | Bush (lower) | | | | | | | | | | | | | | | | | | | | | | | | | | | | | | |
| RU part name | Втулка шкворня нижняя | | | | | | | | | | | | | | | | | | | | | | | | | | | | | | |
| Size:mm | 58*58*25 | | | | | | | | | | | | | | | | | | | | | | | | | | | | | | |
| Weight:kg | 0.2 | | | | | | | | | | | | | | | | | | | | | | | | | | | | | | |
| NO. | NO.A64-32 | | | | | | | | | | | | | | | | | | | | | | | | | | | | | | |
| Part No. | 06.33719.0097 | | | | | | | | | | | | | | | | | | | | | | | | | | | | | | |
| CH part name | 滚针轴承(下) 9.5t | | | | | | | | | | | | | | | | | | | | | | | | | | | | | | |
| EN part name | Bush (lower) | | | | | | | | | | | | | | | | | | | | | | | | | | | | | | |
| RU part name | Втулка шкворня нижняя | | | | | | | | | | | | | | | | | | | | | | | | | | | | | | |
| Size:mm | 62*62*27 | | | | | | | | | | | | | | | | | | | | | | | | | | | | | | |
| Weight:kg | 0.6 | | | | | | | | | | | | | | | | | | | | | | | | | | | | | | |
| NO. | NO.A64-32 | | | | | | | | | | | | | | | | | | | | | | | | | | | | | | |
| Remarks: SHACMAN F2000 X3000 M3000 8*4 6*4 | | Remarks: SHACMAN F3000 8*4 6*4 (HD90009410331 5.5t B150603002 55*55*27.5) | | | | | | | | | | | | | | | | | | | | | | | | | | | | | |
|  | <table border="1"> <tr><td>Part No.</td><td>81.93021.0270</td></tr> <tr><td>CH part name</td><td>转向节上衬套MAN</td></tr> <tr><td>EN part name</td><td>Bush</td></tr> <tr><td>RU part name</td><td>Втулка шкворня верхняя</td></tr> <tr><td>Size:mm</td><td>55*55*60</td></tr> <tr><td>Weight:kg</td><td>0.25</td></tr> <tr><td>NO.</td><td>NO.A64-15</td></tr> </table> | Part No. | 81.93021.0270 | CH part name | 转向节上衬套MAN | EN part name | Bush | RU part name | Втулка шкворня верхняя | Size:mm | 55*55*60 | Weight:kg | 0.25 | NO. | NO.A64-15 |  | <table border="1"> <tr><td>Part No.</td><td>81.93020.0706</td></tr> <tr><td>CH part name</td><td>转向节主销上衬套</td></tr> <tr><td>EN part name</td><td>Bush</td></tr> <tr><td>RU part name</td><td>Втулка шкворня верхняя</td></tr> <tr><td>Size:mm</td><td>55*55*60</td></tr> <tr><td>Weight:kg</td><td>0.25</td></tr> <tr><td>NO.</td><td>NO.A64-15</td></tr> </table> | Part No. | 81.93020.0706 | CH part name | 转向节主销上衬套 | EN part name | Bush | RU part name | Втулка шкворня верхняя | Size:mm | 55*55*60 | Weight:kg | 0.25 | NO. | NO.A64-15 |
| Part No. | 81.93021.0270 | | | | | | | | | | | | | | | | | | | | | | | | | | | | | | |
| CH part name | 转向节上衬套MAN | | | | | | | | | | | | | | | | | | | | | | | | | | | | | | |
| EN part name | Bush | | | | | | | | | | | | | | | | | | | | | | | | | | | | | | |
| RU part name | Втулка шкворня верхняя | | | | | | | | | | | | | | | | | | | | | | | | | | | | | | |
| Size:mm | 55*55*60 | | | | | | | | | | | | | | | | | | | | | | | | | | | | | | |
| Weight:kg | 0.25 | | | | | | | | | | | | | | | | | | | | | | | | | | | | | | |
| NO. | NO.A64-15 | | | | | | | | | | | | | | | | | | | | | | | | | | | | | | |
| Part No. | 81.93020.0706 | | | | | | | | | | | | | | | | | | | | | | | | | | | | | | |
| CH part name | 转向节主销上衬套 | | | | | | | | | | | | | | | | | | | | | | | | | | | | | | |
| EN part name | Bush | | | | | | | | | | | | | | | | | | | | | | | | | | | | | | |
| RU part name | Втулка шкворня верхняя | | | | | | | | | | | | | | | | | | | | | | | | | | | | | | |
| Size:mm | 55*55*60 | | | | | | | | | | | | | | | | | | | | | | | | | | | | | | |
| Weight:kg | 0.25 | | | | | | | | | | | | | | | | | | | | | | | | | | | | | | |
| NO. | NO.A64-15 | | | | | | | | | | | | | | | | | | | | | | | | | | | | | | |
| Remarks: SHACMAN F2000 X3000 M3000 8*4 6*4 | | Remarks: SHACMAN F3000 8*4 6*4 通用盘式 | | | | | | | | | | | | | | | | | | | | | | | | | | | | | |

SHACMAN(1)

| | | | | | | | | | | | | | | | | | | | | | | | | | | | | | | | |
|---|--|--|---------------|--------------|-------------|--------------|--------------------|--------------|------------------------------|---------|-------------|-----------|------|-----|------------------|---|---|----------|---------------|--------------|-------------|--------------|-----------------------|--------------|-------------------------------|---------|----------|-----------|------|-----|------------------|
|  | <table border="1"> <tr><td>Part No.</td><td>DZ9003326025</td></tr> <tr><td>CH part name</td><td>转向压力轴承 9.5t</td></tr> <tr><td>EN part name</td><td>Bearing</td></tr> <tr><td>RU part name</td><td>Поверните подшипник давления</td></tr> <tr><td>Size:mm</td><td>77*47*22</td></tr> <tr><td>Weight:kg</td><td>0.55</td></tr> <tr><td>NO.</td><td>NO.A64-33</td></tr> </table> | Part No. | DZ9003326025 | CH part name | 转向压力轴承 9.5t | EN part name | Bearing | RU part name | Поверните подшипник давления | Size:mm | 77*47*22 | Weight:kg | 0.55 | NO. | NO.A64-33 |  | <table border="1"> <tr><td>Part No.</td><td>06.32819.0017</td></tr> <tr><td>CH part name</td><td>转向压力轴承 7.5t</td></tr> <tr><td>EN part name</td><td>Bearing</td></tr> <tr><td>RU part name</td><td>Поверните подшипник давления</td></tr> <tr><td>Size:mm</td><td>77*47*22</td></tr> <tr><td>Weight:kg</td><td>0.4</td></tr> <tr><td>NO.</td><td>NO.A64-33</td></tr> </table> | Part No. | 06.32819.0017 | CH part name | 转向压力轴承 7.5t | EN part name | Bearing | RU part name | Поверните подшипник давления | Size:mm | 77*47*22 | Weight:kg | 0.4 | NO. | NO.A64-33 |
| Part No. | DZ9003326025 | | | | | | | | | | | | | | | | | | | | | | | | | | | | | | |
| CH part name | 转向压力轴承 9.5t | | | | | | | | | | | | | | | | | | | | | | | | | | | | | | |
| EN part name | Bearing | | | | | | | | | | | | | | | | | | | | | | | | | | | | | | |
| RU part name | Поверните подшипник давления | | | | | | | | | | | | | | | | | | | | | | | | | | | | | | |
| Size:mm | 77*47*22 | | | | | | | | | | | | | | | | | | | | | | | | | | | | | | |
| Weight:kg | 0.55 | | | | | | | | | | | | | | | | | | | | | | | | | | | | | | |
| NO. | NO.A64-33 | | | | | | | | | | | | | | | | | | | | | | | | | | | | | | |
| Part No. | 06.32819.0017 | | | | | | | | | | | | | | | | | | | | | | | | | | | | | | |
| CH part name | 转向压力轴承 7.5t | | | | | | | | | | | | | | | | | | | | | | | | | | | | | | |
| EN part name | Bearing | | | | | | | | | | | | | | | | | | | | | | | | | | | | | | |
| RU part name | Поверните подшипник давления | | | | | | | | | | | | | | | | | | | | | | | | | | | | | | |
| Size:mm | 77*47*22 | | | | | | | | | | | | | | | | | | | | | | | | | | | | | | |
| Weight:kg | 0.4 | | | | | | | | | | | | | | | | | | | | | | | | | | | | | | |
| NO. | NO.A64-33 | | | | | | | | | | | | | | | | | | | | | | | | | | | | | | |
| Remarks: SHACMAN F3000 8*4 6*4 | | Remarks: SHACMAN F2000 X3000 M3000 8*4 6*4 通用盘式桥 | | | | | | | | | | | | | | | | | | | | | | | | | | | | | |
|  | <table border="1"> <tr><td>Part No.</td><td>81.90711.0941</td></tr> <tr><td>CH part name</td><td>转向节主销密封盘</td></tr> <tr><td>EN part name</td><td>Seal plate assy.</td></tr> <tr><td>RU part name</td><td>Уплотнение пластины сборки</td></tr> <tr><td>Size:mm</td><td>60*60*5</td></tr> <tr><td>Weight:kg</td><td>0.06</td></tr> <tr><td>NO.</td><td>NO.A64-18</td></tr> </table> | Part No. | 81.90711.0941 | CH part name | 转向节主销密封盘 | EN part name | Seal plate assy. | RU part name | Уплотнение пластины сборки | Size:mm | 60*60*5 | Weight:kg | 0.06 | NO. | NO.A64-18 |  | <table border="1"> <tr><td>Part No.</td><td>81.96501.0671</td></tr> <tr><td>CH part name</td><td>转向节销密封圈</td></tr> <tr><td>EN part name</td><td>Knuckle pin seal ring</td></tr> <tr><td>RU part name</td><td>Кольцо уплотнительное шкворня</td></tr> <tr><td>Size:mm</td><td>50*50*1</td></tr> <tr><td>Weight:kg</td><td>0.01</td></tr> <tr><td>NO.</td><td>NO.A64-32</td></tr> </table> | Part No. | 81.96501.0671 | CH part name | 转向节销密封圈 | EN part name | Knuckle pin seal ring | RU part name | Кольцо уплотнительное шкворня | Size:mm | 50*50*1 | Weight:kg | 0.01 | NO. | NO.A64-32 |
| Part No. | 81.90711.0941 | | | | | | | | | | | | | | | | | | | | | | | | | | | | | | |
| CH part name | 转向节主销密封盘 | | | | | | | | | | | | | | | | | | | | | | | | | | | | | | |
| EN part name | Seal plate assy. | | | | | | | | | | | | | | | | | | | | | | | | | | | | | | |
| RU part name | Уплотнение пластины сборки | | | | | | | | | | | | | | | | | | | | | | | | | | | | | | |
| Size:mm | 60*60*5 | | | | | | | | | | | | | | | | | | | | | | | | | | | | | | |
| Weight:kg | 0.06 | | | | | | | | | | | | | | | | | | | | | | | | | | | | | | |
| NO. | NO.A64-18 | | | | | | | | | | | | | | | | | | | | | | | | | | | | | | |
| Part No. | 81.96501.0671 | | | | | | | | | | | | | | | | | | | | | | | | | | | | | | |
| CH part name | 转向节销密封圈 | | | | | | | | | | | | | | | | | | | | | | | | | | | | | | |
| EN part name | Knuckle pin seal ring | | | | | | | | | | | | | | | | | | | | | | | | | | | | | | |
| RU part name | Кольцо уплотнительное шкворня | | | | | | | | | | | | | | | | | | | | | | | | | | | | | | |
| Size:mm | 50*50*1 | | | | | | | | | | | | | | | | | | | | | | | | | | | | | | |
| Weight:kg | 0.01 | | | | | | | | | | | | | | | | | | | | | | | | | | | | | | |
| NO. | NO.A64-32 | | | | | | | | | | | | | | | | | | | | | | | | | | | | | | |
| Remarks: SHACMAN F3000 F2000 X3000 M3000 8*4 6*4 | | Remarks: SHACMAN F2000 X3000 M3000 8*4 6*4 | | | | | | | | | | | | | | | | | | | | | | | | | | | | | |
|  | <table border="1"> <tr><td>Part No.</td><td>81.45501.0077</td></tr> <tr><td>CH part name</td><td>前轮螺栓</td></tr> <tr><td>EN part name</td><td>Front wheel bolt</td></tr> <tr><td>RU part name</td><td>Болты переднего колеса</td></tr> <tr><td>Size:mm</td><td>100*50*50</td></tr> <tr><td>Weight:kg</td><td>0.6</td></tr> <tr><td>NO.</td><td>NO.A64-9</td></tr> </table> | Part No. | 81.45501.0077 | CH part name | 前轮螺栓 | EN part name | Front wheel bolt | RU part name | Болты переднего колеса | Size:mm | 100*50*50 | Weight:kg | 0.6 | NO. | NO.A64-9 |  | <table border="1"> <tr><td>Part No.</td><td>DZ9100430090</td></tr> <tr><td>CH part name</td><td>横拉杆总成 9.5t</td></tr> <tr><td>EN part name</td><td>Steering tie rod</td></tr> <tr><td>RU part name</td><td>Поперечная рулевая тяга</td></tr> <tr><td>Size:mm</td><td></td></tr> <tr><td>Weight:kg</td><td>11.6</td></tr> <tr><td>NO.</td><td>NO.A64-M1</td></tr> </table> | Part No. | DZ9100430090 | CH part name | 横拉杆总成 9.5t | EN part name | Steering tie rod | RU part name | Поперечная рулевая тяга | Size:mm | | Weight:kg | 11.6 | NO. | NO.A64-M1 |
| Part No. | 81.45501.0077 | | | | | | | | | | | | | | | | | | | | | | | | | | | | | | |
| CH part name | 前轮螺栓 | | | | | | | | | | | | | | | | | | | | | | | | | | | | | | |
| EN part name | Front wheel bolt | | | | | | | | | | | | | | | | | | | | | | | | | | | | | | |
| RU part name | Болты переднего колеса | | | | | | | | | | | | | | | | | | | | | | | | | | | | | | |
| Size:mm | 100*50*50 | | | | | | | | | | | | | | | | | | | | | | | | | | | | | | |
| Weight:kg | 0.6 | | | | | | | | | | | | | | | | | | | | | | | | | | | | | | |
| NO. | NO.A64-9 | | | | | | | | | | | | | | | | | | | | | | | | | | | | | | |
| Part No. | DZ9100430090 | | | | | | | | | | | | | | | | | | | | | | | | | | | | | | |
| CH part name | 横拉杆总成 9.5t | | | | | | | | | | | | | | | | | | | | | | | | | | | | | | |
| EN part name | Steering tie rod | | | | | | | | | | | | | | | | | | | | | | | | | | | | | | |
| RU part name | Поперечная рулевая тяга | | | | | | | | | | | | | | | | | | | | | | | | | | | | | | |
| Size:mm | | | | | | | | | | | | | | | | | | | | | | | | | | | | | | | |
| Weight:kg | 11.6 | | | | | | | | | | | | | | | | | | | | | | | | | | | | | | |
| NO. | NO.A64-M1 | | | | | | | | | | | | | | | | | | | | | | | | | | | | | | |
| Remarks: SHACMAN F3000 F2000 X3000 M3000 8*4 6*4 7.5t 9.5t | | Remarks: SHACMAN F3000 F2000 X3000 M3000 8*4 6*4 | | | | | | | | | | | | | | | | | | | | | | | | | | | | | |
|  | <table border="1"> <tr><td>Part No.</td><td>199100430014</td></tr> <tr><td>CH part name</td><td>转向直拉杆</td></tr> <tr><td>EN part name</td><td>Steering drag link</td></tr> <tr><td>RU part name</td><td>Продольная рулевая тяга</td></tr> <tr><td>Size:mm</td><td>1000*140*60</td></tr> <tr><td>Weight:kg</td><td>8</td></tr> <tr><td>NO.</td><td>NO.65-8</td></tr> </table> | Part No. | 199100430014 | CH part name | 转向直拉杆 | EN part name | Steering drag link | RU part name | Продольная рулевая тяга | Size:mm | 1000*140*60 | Weight:kg | 8 | NO. | NO.65-8 |  | <table border="1"> <tr><td>Part No.</td><td>DZ93259470002</td></tr> <tr><td>CH part name</td><td>转向摇臂</td></tr> <tr><td>EN part name</td><td>Pitman arm</td></tr> <tr><td>RU part name</td><td>питман руку</td></tr> <tr><td>Size:mm</td><td></td></tr> <tr><td>Weight:kg</td><td>3.2</td></tr> <tr><td>NO.</td><td>NO.65-3</td></tr> </table> | Part No. | DZ93259470002 | CH part name | 转向摇臂 | EN part name | Pitman arm | RU part name | питман руку | Size:mm | | Weight:kg | 3.2 | NO. | NO.65-3 |
| Part No. | 199100430014 | | | | | | | | | | | | | | | | | | | | | | | | | | | | | | |
| CH part name | 转向直拉杆 | | | | | | | | | | | | | | | | | | | | | | | | | | | | | | |
| EN part name | Steering drag link | | | | | | | | | | | | | | | | | | | | | | | | | | | | | | |
| RU part name | Продольная рулевая тяга | | | | | | | | | | | | | | | | | | | | | | | | | | | | | | |
| Size:mm | 1000*140*60 | | | | | | | | | | | | | | | | | | | | | | | | | | | | | | |
| Weight:kg | 8 | | | | | | | | | | | | | | | | | | | | | | | | | | | | | | |
| NO. | NO.65-8 | | | | | | | | | | | | | | | | | | | | | | | | | | | | | | |
| Part No. | DZ93259470002 | | | | | | | | | | | | | | | | | | | | | | | | | | | | | | |
| CH part name | 转向摇臂 | | | | | | | | | | | | | | | | | | | | | | | | | | | | | | |
| EN part name | Pitman arm | | | | | | | | | | | | | | | | | | | | | | | | | | | | | | |
| RU part name | питман руку | | | | | | | | | | | | | | | | | | | | | | | | | | | | | | |
| Size:mm | | | | | | | | | | | | | | | | | | | | | | | | | | | | | | | |
| Weight:kg | 3.2 | | | | | | | | | | | | | | | | | | | | | | | | | | | | | | |
| NO. | NO.65-3 | | | | | | | | | | | | | | | | | | | | | | | | | | | | | | |
| Remarks: SHACMAN F3000 F2000 X3000 M3000 6*4 DZ9100430011 | | Remarks: SHACMAN F3000 F2000 X3000 M3000 6*4 | | | | | | | | | | | | | | | | | | | | | | | | | | | | | |

SHACMAN(1)

| SINGLE SHAFTS STEERING/TRANSMISSION DEVICE | | NO.65 | SINGLE SHAFTS STEERING/TRANSMISSION DEVICE | | NO.A65 |
|---|--------------|-------------------------|---|--------------|-----------------|
|  | | |  | | |
| KD1221 | | | KD1222 | | |
|  | Part No. | DZ9100430017 |  | Part No. | DZ9100470238 |
| | CH part name | 转向直拉杆 | | CH part name | 转向摇臂 |
| | EN part name | Steering drag link | | EN part name | Pitman arm |
| | RU part name | Продольная рулевая тяга | | RU part name | Питман руку |
| | Size:mm | | | Size:mm | |
| | Weight:kg | 7.8 | | Weight:kg | 3.2 |
| | NO. | NO.A65-7 | | NO. | NO.A65-2 |
| Remarks: SHACMAN F3000 6*4 | | | Remarks: SHACMAN F3000 6*4 | | |
| KD1223 | | | KD1224 | | |
|  | Part No. | DZ9100470213 |  | Part No. | DZ9100470215 |
| | CH part name | 转向器支架 | | CH part name | 转向器支架 |
| | EN part name | Drop arm | | EN part name | Drop arm |
| | RU part name | брось руку | | RU part name | брось руку |
| | Size:mm | | | Size:mm | |
| | Weight:kg | 19.25 | | Weight:kg | 17 |
| | NO. | NO.65-5 | | NO. | NO.A65-4 |
| Remarks: SHACMAN F2000 6*4 | | | Remarks: SHACMAN F3000 6*4 | | |

SHACMAN(1)

| | | | | | | | | | | | | | | | | | | | | | | | | | | | | | | | |
|--|---|--|---------------|--------------|----------|--------------|--------------------------|--------------|--|---------|--|-----------|------|-----|-----------------|---|--|----------|---------------|--------------|----------|--------------|------------|--------------|-------------------|---------|-------------|-----------|------|-----|-----------------|
|  | <table border="1"> <tr><td>Part No.</td><td>DZ9100470310</td></tr> <tr><td>CH part name</td><td>过渡连接件总成</td></tr> <tr><td>EN part name</td><td>Transition coupling assy</td></tr> <tr><td>RU part name</td><td>переход опорно - сцепного устройства, астр</td></tr> <tr><td>Size:mm</td><td></td></tr> <tr><td>Weight:kg</td><td>0.56</td></tr> <tr><td>NO.</td><td>NO.65-1</td></tr> </table> | Part No. | DZ9100470310 | CH part name | 过渡连接件总成 | EN part name | Transition coupling assy | RU part name | переход опорно - сцепного устройства, астр | Size:mm | | Weight:kg | 0.56 | NO. | NO.65-1 |  | <table border="1"> <tr><td>Part No.</td><td>DZ9114470075</td></tr> <tr><td>CH part name</td><td>方向机</td></tr> <tr><td>EN part name</td><td>Redirector</td></tr> <tr><td>RU part name</td><td>Рулевой механизм</td></tr> <tr><td>Size:mm</td><td>380*250*280</td></tr> <tr><td>Weight:kg</td><td>39.5</td></tr> <tr><td>NO.</td><td>NO.65-2</td></tr> </table> | Part No. | DZ9114470075 | CH part name | 方向机 | EN part name | Redirector | RU part name | Рулевой механизм | Size:mm | 380*250*280 | Weight:kg | 39.5 | NO. | NO.65-2 |
| Part No. | DZ9100470310 | | | | | | | | | | | | | | | | | | | | | | | | | | | | | | |
| CH part name | 过渡连接件总成 | | | | | | | | | | | | | | | | | | | | | | | | | | | | | | |
| EN part name | Transition coupling assy | | | | | | | | | | | | | | | | | | | | | | | | | | | | | | |
| RU part name | переход опорно - сцепного устройства, астр | | | | | | | | | | | | | | | | | | | | | | | | | | | | | | |
| Size:mm | | | | | | | | | | | | | | | | | | | | | | | | | | | | | | | |
| Weight:kg | 0.56 | | | | | | | | | | | | | | | | | | | | | | | | | | | | | | |
| NO. | NO.65-1 | | | | | | | | | | | | | | | | | | | | | | | | | | | | | | |
| Part No. | DZ9114470075 | | | | | | | | | | | | | | | | | | | | | | | | | | | | | | |
| CH part name | 方向机 | | | | | | | | | | | | | | | | | | | | | | | | | | | | | | |
| EN part name | Redirector | | | | | | | | | | | | | | | | | | | | | | | | | | | | | | |
| RU part name | Рулевой механизм | | | | | | | | | | | | | | | | | | | | | | | | | | | | | | |
| Size:mm | 380*250*280 | | | | | | | | | | | | | | | | | | | | | | | | | | | | | | |
| Weight:kg | 39.5 | | | | | | | | | | | | | | | | | | | | | | | | | | | | | | |
| NO. | NO.65-2 | | | | | | | | | | | | | | | | | | | | | | | | | | | | | | |
| Remarks: SHACMAN F2000 6*4 | | Remarks: SHACMAN F2000 F3000 6*4 8*4 DZ9100470055 DZ9100470075 | | | | | | | | | | | | | | | | | | | | | | | | | | | | | |
|  | <table border="1"> <tr><td>Part No.</td><td>DZ9118470344</td></tr> <tr><td>CH part name</td><td>转向器支架</td></tr> <tr><td>EN part name</td><td>Drop arm</td></tr> <tr><td>RU part name</td><td>брось руку</td></tr> <tr><td>Size:mm</td><td></td></tr> <tr><td>Weight:kg</td><td>18.6</td></tr> <tr><td>NO.</td><td>NO.65-3</td></tr> </table> | Part No. | DZ9118470344 | CH part name | 转向器支架 | EN part name | Drop arm | RU part name | брось руку | Size:mm | | Weight:kg | 18.6 | NO. | NO.65-3 |  | <table border="1"> <tr><td>Part No.</td><td>DZ95259470029</td></tr> <tr><td>CH part name</td><td>转向器支架</td></tr> <tr><td>EN part name</td><td>Drop arm</td></tr> <tr><td>RU part name</td><td>брось руку</td></tr> <tr><td>Size:mm</td><td></td></tr> <tr><td>Weight:kg</td><td>18.6</td></tr> <tr><td>NO.</td><td>NO.66-4</td></tr> </table> | Part No. | DZ95259470029 | CH part name | 转向器支架 | EN part name | Drop arm | RU part name | брось руку | Size:mm | | Weight:kg | 18.6 | NO. | NO.66-4 |
| Part No. | DZ9118470344 | | | | | | | | | | | | | | | | | | | | | | | | | | | | | | |
| CH part name | 转向器支架 | | | | | | | | | | | | | | | | | | | | | | | | | | | | | | |
| EN part name | Drop arm | | | | | | | | | | | | | | | | | | | | | | | | | | | | | | |
| RU part name | брось руку | | | | | | | | | | | | | | | | | | | | | | | | | | | | | | |
| Size:mm | | | | | | | | | | | | | | | | | | | | | | | | | | | | | | | |
| Weight:kg | 18.6 | | | | | | | | | | | | | | | | | | | | | | | | | | | | | | |
| NO. | NO.65-3 | | | | | | | | | | | | | | | | | | | | | | | | | | | | | | |
| Part No. | DZ95259470029 | | | | | | | | | | | | | | | | | | | | | | | | | | | | | | |
| CH part name | 转向器支架 | | | | | | | | | | | | | | | | | | | | | | | | | | | | | | |
| EN part name | Drop arm | | | | | | | | | | | | | | | | | | | | | | | | | | | | | | |
| RU part name | брось руку | | | | | | | | | | | | | | | | | | | | | | | | | | | | | | |
| Size:mm | | | | | | | | | | | | | | | | | | | | | | | | | | | | | | | |
| Weight:kg | 18.6 | | | | | | | | | | | | | | | | | | | | | | | | | | | | | | |
| NO. | NO.66-4 | | | | | | | | | | | | | | | | | | | | | | | | | | | | | | |
| Remarks: SHACMAN F2000 8*4 | | Remarks: SHACMAN F3000 8*4 | | | | | | | | | | | | | | | | | | | | | | | | | | | | | |
|  | <table border="1"> <tr><td>Part No.</td><td>DZ91319470001</td></tr> <tr><td>CH part name</td><td>转向摇臂</td></tr> <tr><td>EN part name</td><td>Pitman arm</td></tr> <tr><td>RU part name</td><td>питман руку</td></tr> <tr><td>Size:mm</td><td></td></tr> <tr><td>Weight:kg</td><td>3.2</td></tr> <tr><td>NO.</td><td>NO.66-2</td></tr> </table> | Part No. | DZ91319470001 | CH part name | 转向摇臂 | EN part name | Pitman arm | RU part name | питман руку | Size:mm | | Weight:kg | 3.2 | NO. | NO.66-2 |  | <table border="1"> <tr><td>Part No.</td><td>DZ93319470001</td></tr> <tr><td>CH part name</td><td>转向摇臂</td></tr> <tr><td>EN part name</td><td>Pitman arm</td></tr> <tr><td>RU part name</td><td>питман руку</td></tr> <tr><td>Size:mm</td><td></td></tr> <tr><td>Weight:kg</td><td>3.2</td></tr> <tr><td>NO.</td><td>NO.66-2</td></tr> </table> | Part No. | DZ93319470001 | CH part name | 转向摇臂 | EN part name | Pitman arm | RU part name | питман руку | Size:mm | | Weight:kg | 3.2 | NO. | NO.66-2 |
| Part No. | DZ91319470001 | | | | | | | | | | | | | | | | | | | | | | | | | | | | | | |
| CH part name | 转向摇臂 | | | | | | | | | | | | | | | | | | | | | | | | | | | | | | |
| EN part name | Pitman arm | | | | | | | | | | | | | | | | | | | | | | | | | | | | | | |
| RU part name | питман руку | | | | | | | | | | | | | | | | | | | | | | | | | | | | | | |
| Size:mm | | | | | | | | | | | | | | | | | | | | | | | | | | | | | | | |
| Weight:kg | 3.2 | | | | | | | | | | | | | | | | | | | | | | | | | | | | | | |
| NO. | NO.66-2 | | | | | | | | | | | | | | | | | | | | | | | | | | | | | | |
| Part No. | DZ93319470001 | | | | | | | | | | | | | | | | | | | | | | | | | | | | | | |
| CH part name | 转向摇臂 | | | | | | | | | | | | | | | | | | | | | | | | | | | | | | |
| EN part name | Pitman arm | | | | | | | | | | | | | | | | | | | | | | | | | | | | | | |
| RU part name | питман руку | | | | | | | | | | | | | | | | | | | | | | | | | | | | | | |
| Size:mm | | | | | | | | | | | | | | | | | | | | | | | | | | | | | | | |
| Weight:kg | 3.2 | | | | | | | | | | | | | | | | | | | | | | | | | | | | | | |
| NO. | NO.66-2 | | | | | | | | | | | | | | | | | | | | | | | | | | | | | | |
| Remarks: SHACMAN F2000 8*4 6.5T 双前轴 | | Remarks: SHACMAN F2000 8*4 8T 双前轴 | | | | | | | | | | | | | | | | | | | | | | | | | | | | | |
|  | <table border="1"> <tr><td>Part No.</td><td>DZ9118430017</td></tr> <tr><td>CH part name</td><td>转向中间拉杆40</td></tr> <tr><td>EN part name</td><td>Drag link</td></tr> <tr><td>RU part name</td><td>переташите ссылку</td></tr> <tr><td>Size:mm</td><td></td></tr> <tr><td>Weight:kg</td><td>7.6</td></tr> <tr><td>NO.</td><td>NO.66-10</td></tr> </table> | Part No. | DZ9118430017 | CH part name | 转向中间拉杆40 | EN part name | Drag link | RU part name | переташите ссылку | Size:mm | | Weight:kg | 7.6 | NO. | NO.66-10 |  | <table border="1"> <tr><td>Part No.</td><td>DZ91189430003</td></tr> <tr><td>CH part name</td><td>转向中间拉杆40</td></tr> <tr><td>EN part name</td><td>Drag link</td></tr> <tr><td>RU part name</td><td>переташите ссылку</td></tr> <tr><td>Size:mm</td><td></td></tr> <tr><td>Weight:kg</td><td>7.6</td></tr> <tr><td>NO.</td><td>NO.66-10</td></tr> </table> | Part No. | DZ91189430003 | CH part name | 转向中间拉杆40 | EN part name | Drag link | RU part name | переташите ссылку | Size:mm | | Weight:kg | 7.6 | NO. | NO.66-10 |
| Part No. | DZ9118430017 | | | | | | | | | | | | | | | | | | | | | | | | | | | | | | |
| CH part name | 转向中间拉杆40 | | | | | | | | | | | | | | | | | | | | | | | | | | | | | | |
| EN part name | Drag link | | | | | | | | | | | | | | | | | | | | | | | | | | | | | | |
| RU part name | переташите ссылку | | | | | | | | | | | | | | | | | | | | | | | | | | | | | | |
| Size:mm | | | | | | | | | | | | | | | | | | | | | | | | | | | | | | | |
| Weight:kg | 7.6 | | | | | | | | | | | | | | | | | | | | | | | | | | | | | | |
| NO. | NO.66-10 | | | | | | | | | | | | | | | | | | | | | | | | | | | | | | |
| Part No. | DZ91189430003 | | | | | | | | | | | | | | | | | | | | | | | | | | | | | | |
| CH part name | 转向中间拉杆40 | | | | | | | | | | | | | | | | | | | | | | | | | | | | | | |
| EN part name | Drag link | | | | | | | | | | | | | | | | | | | | | | | | | | | | | | |
| RU part name | переташите ссылку | | | | | | | | | | | | | | | | | | | | | | | | | | | | | | |
| Size:mm | | | | | | | | | | | | | | | | | | | | | | | | | | | | | | | |
| Weight:kg | 7.6 | | | | | | | | | | | | | | | | | | | | | | | | | | | | | | |
| NO. | NO.66-10 | | | | | | | | | | | | | | | | | | | | | | | | | | | | | | |
| Remarks: SHACMAN F2000 8*4 6.5T 双前轴 850车架 | | Remarks: SHACMAN F2000 8*4 6.5T 双前轴 780车架 | | | | | | | | | | | | | | | | | | | | | | | | | | | | | |

SHACMAN(1)

| DOUBLE SHAFTS STEERING | | NO.66 | DOUBLE SHAFTS STEERING | | NO.A66 |
|-----------------------------------|-----------------|-------------------|------------------------|--------------|-------------------|
| | | | | | |
| KD1233 | | | KD1234 | | |
| | Part No. | DZ9118430019 | | Part No. | 81.46610.6780 |
| | CH part name | 转向中间拉杆40 | | CH part name | 转向拉杆 |
| | EN part name | Drag link | | EN part name | Drag link |
| | RU part name | переташите ссылку | | RU part name | переташите ссылку |
| | Size:mm | | | Size:mm | |
| | Weight:kg | 7.6 | | Weight:kg | 7.6 |
| NO. | NO.66-10 | NO. | NO.A66-7 | | |
| Remarks: SHACMAN F2000 8*4 8T 双前轴 | | | Remarks: SHACMAN F3000 | | |
| KD1235 | | | KD1236 | | |
| | Part No. | DZ95259470008 | | Part No. | 81.46610.6791 |
| | CH part name | 转向摇臂 | | CH part name | 转向拉杆 |
| | EN part name | Pitman arm | | EN part name | Drag link |
| | RU part name | питман руку | | RU part name | переташите ссылку |
| | Size:mm | | | Size:mm | |
| | Weight:kg | 3.2 | | Weight:kg | 7.9 |
| NO. | NO.A66-2 | NO. | NO.A66-8 | | |
| Remarks: SHACMAN F3000 8*4 | | | Remarks: SHACMAN F3000 | | |

SHACMAN(1)

| | | | | | | | | | | | | | | | | | | | | | | | | | | | | | | | |
|---|--|--|--------------|--------------|--------|--------------|------------------------|--------------|-----------------------------|---------|--|-----------|------|-----|---------------------------|---|--|----------|---------------|--------------|----------|--------------|---------------------------|--------------|-----------------------------|---------|--|-----------|------|-----|------------------|
|  | <table border="1"> <tr><td>Part No.</td><td>DZ9118430021</td></tr> <tr><td>CH part name</td><td>转向直拉杆</td></tr> <tr><td>EN part name</td><td>Drag link</td></tr> <tr><td>RU part name</td><td>переташите ссылку</td></tr> <tr><td>Size:mm</td><td></td></tr> <tr><td>Weight:kg</td><td>7.2</td></tr> <tr><td>NO.</td><td>NO.A66-22 NO.66-34</td></tr> </table> | Part No. | DZ9118430021 | CH part name | 转向直拉杆 | EN part name | Drag link | RU part name | переташите ссылку | Size:mm | | Weight:kg | 7.2 | NO. | NO.A66-22 NO.66-34 |  | <table border="1"> <tr><td>Part No.</td><td>DZ9118430027</td></tr> <tr><td>CH part name</td><td>转向中间拉杆</td></tr> <tr><td>EN part name</td><td>Drag link</td></tr> <tr><td>RU part name</td><td>переташите ссылку</td></tr> <tr><td>Size:mm</td><td></td></tr> <tr><td>Weight:kg</td><td>7.1</td></tr> <tr><td>NO.</td><td>NO.A66-8</td></tr> </table> | Part No. | DZ9118430027 | CH part name | 转向中间拉杆 | EN part name | Drag link | RU part name | переташите ссылку | Size:mm | | Weight:kg | 7.1 | NO. | NO.A66-8 |
| Part No. | DZ9118430021 | | | | | | | | | | | | | | | | | | | | | | | | | | | | | | |
| CH part name | 转向直拉杆 | | | | | | | | | | | | | | | | | | | | | | | | | | | | | | |
| EN part name | Drag link | | | | | | | | | | | | | | | | | | | | | | | | | | | | | | |
| RU part name | переташите ссылку | | | | | | | | | | | | | | | | | | | | | | | | | | | | | | |
| Size:mm | | | | | | | | | | | | | | | | | | | | | | | | | | | | | | | |
| Weight:kg | 7.2 | | | | | | | | | | | | | | | | | | | | | | | | | | | | | | |
| NO. | NO.A66-22 NO.66-34 | | | | | | | | | | | | | | | | | | | | | | | | | | | | | | |
| Part No. | DZ9118430027 | | | | | | | | | | | | | | | | | | | | | | | | | | | | | | |
| CH part name | 转向中间拉杆 | | | | | | | | | | | | | | | | | | | | | | | | | | | | | | |
| EN part name | Drag link | | | | | | | | | | | | | | | | | | | | | | | | | | | | | | |
| RU part name | переташите ссылку | | | | | | | | | | | | | | | | | | | | | | | | | | | | | | |
| Size:mm | | | | | | | | | | | | | | | | | | | | | | | | | | | | | | | |
| Weight:kg | 7.1 | | | | | | | | | | | | | | | | | | | | | | | | | | | | | | |
| NO. | NO.A66-8 | | | | | | | | | | | | | | | | | | | | | | | | | | | | | | |
| Remarks: SHACMAN F2000 F3000 8*4 8T 双前轴 | | Remarks: SHACMAN F3000 8*4 | | | | | | | | | | | | | | | | | | | | | | | | | | | | | |
|  | <table border="1"> <tr><td>Part No.</td><td>DZ9100430011</td></tr> <tr><td>CH part name</td><td>转向直拉杆</td></tr> <tr><td>EN part name</td><td>Drag link</td></tr> <tr><td>RU part name</td><td>переташите ссылку</td></tr> <tr><td>Size:mm</td><td></td></tr> <tr><td>Weight:kg</td><td>7.2</td></tr> <tr><td>NO.</td><td>NO.A66-7</td></tr> </table> | Part No. | DZ9100430011 | CH part name | 转向直拉杆 | EN part name | Drag link | RU part name | переташите ссылку | Size:mm | | Weight:kg | 7.2 | NO. | NO.A66-7 |  | <table border="1"> <tr><td>Part No.</td><td>DZ9118430026</td></tr> <tr><td>CH part name</td><td>转向中间拉杆</td></tr> <tr><td>EN part name</td><td>Drag link</td></tr> <tr><td>RU part name</td><td>переташите ссылку</td></tr> <tr><td>Size:mm</td><td></td></tr> <tr><td>Weight:kg</td><td>7.1</td></tr> <tr><td>NO.</td><td>NO.A66-8</td></tr> </table> | Part No. | DZ9118430026 | CH part name | 转向中间拉杆 | EN part name | Drag link | RU part name | переташите ссылку | Size:mm | | Weight:kg | 7.1 | NO. | NO.A66-8 |
| Part No. | DZ9100430011 | | | | | | | | | | | | | | | | | | | | | | | | | | | | | | |
| CH part name | 转向直拉杆 | | | | | | | | | | | | | | | | | | | | | | | | | | | | | | |
| EN part name | Drag link | | | | | | | | | | | | | | | | | | | | | | | | | | | | | | |
| RU part name | переташите ссылку | | | | | | | | | | | | | | | | | | | | | | | | | | | | | | |
| Size:mm | | | | | | | | | | | | | | | | | | | | | | | | | | | | | | | |
| Weight:kg | 7.2 | | | | | | | | | | | | | | | | | | | | | | | | | | | | | | |
| NO. | NO.A66-7 | | | | | | | | | | | | | | | | | | | | | | | | | | | | | | |
| Part No. | DZ9118430026 | | | | | | | | | | | | | | | | | | | | | | | | | | | | | | |
| CH part name | 转向中间拉杆 | | | | | | | | | | | | | | | | | | | | | | | | | | | | | | |
| EN part name | Drag link | | | | | | | | | | | | | | | | | | | | | | | | | | | | | | |
| RU part name | переташите ссылку | | | | | | | | | | | | | | | | | | | | | | | | | | | | | | |
| Size:mm | | | | | | | | | | | | | | | | | | | | | | | | | | | | | | | |
| Weight:kg | 7.1 | | | | | | | | | | | | | | | | | | | | | | | | | | | | | | |
| NO. | NO.A66-8 | | | | | | | | | | | | | | | | | | | | | | | | | | | | | | |
| Remarks: SHACMAN F3000 8*4 | | Remarks: SHACMAN F3000 8*4 | | | | | | | | | | | | | | | | | | | | | | | | | | | | | |
|  | <table border="1"> <tr><td>Part No.</td><td>DZ9118470606</td></tr> <tr><td>CH part name</td><td>液压油缸支架</td></tr> <tr><td>EN part name</td><td>Bracket</td></tr> <tr><td>RU part name</td><td>кронштейн</td></tr> <tr><td>Size:mm</td><td></td></tr> <tr><td>Weight:kg</td><td>0.98</td></tr> <tr><td>NO.</td><td>NO.A66-28</td></tr> </table> | Part No. | DZ9118470606 | CH part name | 液压油缸支架 | EN part name | Bracket | RU part name | кронштейн | Size:mm | | Weight:kg | 0.98 | NO. | NO.A66-28 |  | <table border="1"> <tr><td>Part No.</td><td>SZ943000006</td></tr> <tr><td>CH part name</td><td>中间摇臂支架</td></tr> <tr><td>EN part name</td><td>Middle Pitman arm bracket</td></tr> <tr><td>RU part name</td><td>руку от ближнего питман</td></tr> <tr><td>Size:mm</td><td></td></tr> <tr><td>Weight:kg</td><td>1.03</td></tr> <tr><td>NO.</td><td>NO.A66-15</td></tr> </table> | Part No. | SZ943000006 | CH part name | 中间摇臂支架 | EN part name | Middle Pitman arm bracket | RU part name | руку от ближнего питман | Size:mm | | Weight:kg | 1.03 | NO. | NO.A66-15 |
| Part No. | DZ9118470606 | | | | | | | | | | | | | | | | | | | | | | | | | | | | | | |
| CH part name | 液压油缸支架 | | | | | | | | | | | | | | | | | | | | | | | | | | | | | | |
| EN part name | Bracket | | | | | | | | | | | | | | | | | | | | | | | | | | | | | | |
| RU part name | кронштейн | | | | | | | | | | | | | | | | | | | | | | | | | | | | | | |
| Size:mm | | | | | | | | | | | | | | | | | | | | | | | | | | | | | | | |
| Weight:kg | 0.98 | | | | | | | | | | | | | | | | | | | | | | | | | | | | | | |
| NO. | NO.A66-28 | | | | | | | | | | | | | | | | | | | | | | | | | | | | | | |
| Part No. | SZ943000006 | | | | | | | | | | | | | | | | | | | | | | | | | | | | | | |
| CH part name | 中间摇臂支架 | | | | | | | | | | | | | | | | | | | | | | | | | | | | | | |
| EN part name | Middle Pitman arm bracket | | | | | | | | | | | | | | | | | | | | | | | | | | | | | | |
| RU part name | руку от ближнего питман | | | | | | | | | | | | | | | | | | | | | | | | | | | | | | |
| Size:mm | | | | | | | | | | | | | | | | | | | | | | | | | | | | | | | |
| Weight:kg | 1.03 | | | | | | | | | | | | | | | | | | | | | | | | | | | | | | |
| NO. | NO.A66-15 | | | | | | | | | | | | | | | | | | | | | | | | | | | | | | |
| Remarks: SHACMAN F3000 8*4 | | Remarks: SHACMAN F2000 F3000 8*4 199118470015 DZ9118470602 | | | | | | | | | | | | | | | | | | | | | | | | | | | | | |
|  | <table border="1"> <tr><td>Part No.</td><td>199018470011</td></tr> <tr><td>CH part name</td><td>柄杆总成</td></tr> <tr><td>EN part name</td><td>Middle Pitman arm assy</td></tr> <tr><td>RU part name</td><td>средний питман руку, астрид</td></tr> <tr><td>Size:mm</td><td></td></tr> <tr><td>Weight:kg</td><td>1.2</td></tr> <tr><td>NO.</td><td>NO.A66-19</td></tr> </table> | Part No. | 199018470011 | CH part name | 柄杆总成 | EN part name | Middle Pitman arm assy | RU part name | средний питман руку, астрид | Size:mm | | Weight:kg | 1.2 | NO. | NO.A66-19 |  | <table border="1"> <tr><td>Part No.</td><td>DZ93319470002</td></tr> <tr><td>CH part name</td><td>转向中间摇臂总成</td></tr> <tr><td>EN part name</td><td>Middle Pitman arm assy</td></tr> <tr><td>RU part name</td><td>средний питман руку, астрид</td></tr> <tr><td>Size:mm</td><td></td></tr> <tr><td>Weight:kg</td><td>1.89</td></tr> <tr><td>NO.</td><td>NO.A66-24</td></tr> </table> | Part No. | DZ93319470002 | CH part name | 转向中间摇臂总成 | EN part name | Middle Pitman arm assy | RU part name | средний питман руку, астрид | Size:mm | | Weight:kg | 1.89 | NO. | NO.A66-24 |
| Part No. | 199018470011 | | | | | | | | | | | | | | | | | | | | | | | | | | | | | | |
| CH part name | 柄杆总成 | | | | | | | | | | | | | | | | | | | | | | | | | | | | | | |
| EN part name | Middle Pitman arm assy | | | | | | | | | | | | | | | | | | | | | | | | | | | | | | |
| RU part name | средний питман руку, астрид | | | | | | | | | | | | | | | | | | | | | | | | | | | | | | |
| Size:mm | | | | | | | | | | | | | | | | | | | | | | | | | | | | | | | |
| Weight:kg | 1.2 | | | | | | | | | | | | | | | | | | | | | | | | | | | | | | |
| NO. | NO.A66-19 | | | | | | | | | | | | | | | | | | | | | | | | | | | | | | |
| Part No. | DZ93319470002 | | | | | | | | | | | | | | | | | | | | | | | | | | | | | | |
| CH part name | 转向中间摇臂总成 | | | | | | | | | | | | | | | | | | | | | | | | | | | | | | |
| EN part name | Middle Pitman arm assy | | | | | | | | | | | | | | | | | | | | | | | | | | | | | | |
| RU part name | средний питман руку, астрид | | | | | | | | | | | | | | | | | | | | | | | | | | | | | | |
| Size:mm | | | | | | | | | | | | | | | | | | | | | | | | | | | | | | | |
| Weight:kg | 1.89 | | | | | | | | | | | | | | | | | | | | | | | | | | | | | | |
| NO. | NO.A66-24 | | | | | | | | | | | | | | | | | | | | | | | | | | | | | | |
| Remarks: SHACMAN F2000 F3000 8*4 DZ9118470213 | | Remarks: SHACMAN F2000 F3000 8*4 DZ92259470004/05/07 | | | | | | | | | | | | | | | | | | | | | | | | | | | | | |


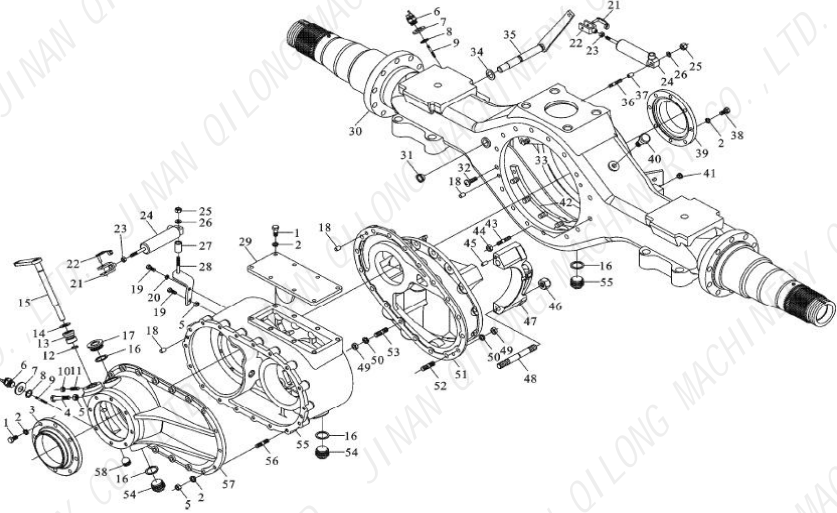





SHACMAN(1)

| | | | | | | | | | | | | | | | | | | | | | | | | | | | | | | | |
|---|--|-------------------------------------|---------------|--------------|--------|--------------|---------------------------|--------------|--------------------------------|---------|------------|-----------|------|-----|------------------|---|---|----------|---------------|--------------|-------|--------------|---------------------------|--------------|--------------------------------|---------|--------------|-----------|------|-----|------------------|
|  | <table border="1"> <tr><td>Part No.</td><td>DZ9118470604</td></tr> <tr><td>CH part name</td><td>转向第二摇臂</td></tr> <tr><td>EN part name</td><td>Pitman arm</td></tr> <tr><td>RU part name</td><td>питман руку</td></tr> <tr><td>Size:mm</td><td></td></tr> <tr><td>Weight:kg</td><td>1.15</td></tr> <tr><td>NO.</td><td>NO.A66-19</td></tr> </table> | Part No. | DZ9118470604 | CH part name | 转向第二摇臂 | EN part name | Pitman arm | RU part name | питман руку | Size:mm | | Weight:kg | 1.15 | NO. | NO.A66-19 |  | <table border="1"> <tr><td>Part No.</td><td>DZ95319470003</td></tr> <tr><td>CH part name</td><td>球接头</td></tr> <tr><td>EN part name</td><td>Power cylinder ball joint</td></tr> <tr><td>RU part name</td><td>Наконечник цилиндра управления</td></tr> <tr><td>Size:mm</td><td>114*110*62</td></tr> <tr><td>Weight:kg</td><td>1.15</td></tr> <tr><td>NO.</td><td>NO.A66-20</td></tr> </table> | Part No. | DZ95319470003 | CH part name | 球接头 | EN part name | Power cylinder ball joint | RU part name | Наконечник цилиндра управления | Size:mm | 114*110*62 | Weight:kg | 1.15 | NO. | NO.A66-20 |
| Part No. | DZ9118470604 | | | | | | | | | | | | | | | | | | | | | | | | | | | | | | |
| CH part name | 转向第二摇臂 | | | | | | | | | | | | | | | | | | | | | | | | | | | | | | |
| EN part name | Pitman arm | | | | | | | | | | | | | | | | | | | | | | | | | | | | | | |
| RU part name | питман руку | | | | | | | | | | | | | | | | | | | | | | | | | | | | | | |
| Size:mm | | | | | | | | | | | | | | | | | | | | | | | | | | | | | | | |
| Weight:kg | 1.15 | | | | | | | | | | | | | | | | | | | | | | | | | | | | | | |
| NO. | NO.A66-19 | | | | | | | | | | | | | | | | | | | | | | | | | | | | | | |
| Part No. | DZ95319470003 | | | | | | | | | | | | | | | | | | | | | | | | | | | | | | |
| CH part name | 球接头 | | | | | | | | | | | | | | | | | | | | | | | | | | | | | | |
| EN part name | Power cylinder ball joint | | | | | | | | | | | | | | | | | | | | | | | | | | | | | | |
| RU part name | Наконечник цилиндра управления | | | | | | | | | | | | | | | | | | | | | | | | | | | | | | |
| Size:mm | 114*110*62 | | | | | | | | | | | | | | | | | | | | | | | | | | | | | | |
| Weight:kg | 1.15 | | | | | | | | | | | | | | | | | | | | | | | | | | | | | | |
| NO. | NO.A66-20 | | | | | | | | | | | | | | | | | | | | | | | | | | | | | | |
| Remarks: SHACMAN F3000 8*4 | | Remarks: SHACMAN F2000 F3000 8*4 | | | | | | | | | | | | | | | | | | | | | | | | | | | | | |
|  | <table border="1"> <tr><td>Part No.</td><td>81.95301.6225</td></tr> <tr><td>CH part name</td><td>动力缸球头</td></tr> <tr><td>EN part name</td><td>Power cylinder ball joint</td></tr> <tr><td>RU part name</td><td>Наконечник цилиндра управления</td></tr> <tr><td>Size:mm</td><td>110*110*60</td></tr> <tr><td>Weight:kg</td><td>1.15</td></tr> <tr><td>NO.</td><td>NO.66-25</td></tr> </table> | Part No. | 81.95301.6225 | CH part name | 动力缸球头 | EN part name | Power cylinder ball joint | RU part name | Наконечник цилиндра управления | Size:mm | 110*110*60 | Weight:kg | 1.15 | NO. | NO.66-25 |  | <table border="1"> <tr><td>Part No.</td><td>DZ95319470001</td></tr> <tr><td>CH part name</td><td>液压油缸</td></tr> <tr><td>EN part name</td><td>Hydraulic cylinder</td></tr> <tr><td>RU part name</td><td>Цилиндр рулевой</td></tr> <tr><td>Size:mm</td><td>43.5*77.5*60</td></tr> <tr><td>Weight:kg</td><td>5.4</td></tr> <tr><td>NO.</td><td>NO.A66-25</td></tr> </table> | Part No. | DZ95319470001 | CH part name | 液压油缸 | EN part name | Hydraulic cylinder | RU part name | Цилиндр рулевой | Size:mm | 43.5*77.5*60 | Weight:kg | 5.4 | NO. | NO.A66-25 |
| Part No. | 81.95301.6225 | | | | | | | | | | | | | | | | | | | | | | | | | | | | | | |
| CH part name | 动力缸球头 | | | | | | | | | | | | | | | | | | | | | | | | | | | | | | |
| EN part name | Power cylinder ball joint | | | | | | | | | | | | | | | | | | | | | | | | | | | | | | |
| RU part name | Наконечник цилиндра управления | | | | | | | | | | | | | | | | | | | | | | | | | | | | | | |
| Size:mm | 110*110*60 | | | | | | | | | | | | | | | | | | | | | | | | | | | | | | |
| Weight:kg | 1.15 | | | | | | | | | | | | | | | | | | | | | | | | | | | | | | |
| NO. | NO.66-25 | | | | | | | | | | | | | | | | | | | | | | | | | | | | | | |
| Part No. | DZ95319470001 | | | | | | | | | | | | | | | | | | | | | | | | | | | | | | |
| CH part name | 液压油缸 | | | | | | | | | | | | | | | | | | | | | | | | | | | | | | |
| EN part name | Hydraulic cylinder | | | | | | | | | | | | | | | | | | | | | | | | | | | | | | |
| RU part name | Цилиндр рулевой | | | | | | | | | | | | | | | | | | | | | | | | | | | | | | |
| Size:mm | 43.5*77.5*60 | | | | | | | | | | | | | | | | | | | | | | | | | | | | | | |
| Weight:kg | 5.4 | | | | | | | | | | | | | | | | | | | | | | | | | | | | | | |
| NO. | NO.A66-25 | | | | | | | | | | | | | | | | | | | | | | | | | | | | | | |
| Remarks: SHACMAN F2000 F3000 8*4 DZ9118470025 | | Remarks: SHACMAN F2000 F3000 8*4 | | | | | | | | | | | | | | | | | | | | | | | | | | | | | |
|  | <table border="1"> <tr><td>Part No.</td><td>DZ9118470024</td></tr> <tr><td>CH part name</td><td>动力缸球头</td></tr> <tr><td>EN part name</td><td>Power cylinder ball joint</td></tr> <tr><td>RU part name</td><td>Наконечник цилиндра управления</td></tr> <tr><td>Size:mm</td><td></td></tr> <tr><td>Weight:kg</td><td>1.15</td></tr> <tr><td>NO.</td><td>NO.A66-26</td></tr> </table> | Part No. | DZ9118470024 | CH part name | 动力缸球头 | EN part name | Power cylinder ball joint | RU part name | Наконечник цилиндра управления | Size:mm | | Weight:kg | 1.15 | NO. | NO.A66-26 |  | <table border="1"> <tr><td>Part No.</td><td>DZ9014470008</td></tr> <tr><td>CH part name</td><td>动力缸</td></tr> <tr><td>EN part name</td><td>Power cylinder</td></tr> <tr><td>RU part name</td><td>Цилиндр рулевой</td></tr> <tr><td>Size:mm</td><td>43.5*77.5*60</td></tr> <tr><td>Weight:kg</td><td>5.09</td></tr> <tr><td>NO.</td><td>NO.66-29</td></tr> </table> | Part No. | DZ9014470008 | CH part name | 动力缸 | EN part name | Power cylinder | RU part name | Цилиндр рулевой | Size:mm | 43.5*77.5*60 | Weight:kg | 5.09 | NO. | NO.66-29 |
| Part No. | DZ9118470024 | | | | | | | | | | | | | | | | | | | | | | | | | | | | | | |
| CH part name | 动力缸球头 | | | | | | | | | | | | | | | | | | | | | | | | | | | | | | |
| EN part name | Power cylinder ball joint | | | | | | | | | | | | | | | | | | | | | | | | | | | | | | |
| RU part name | Наконечник цилиндра управления | | | | | | | | | | | | | | | | | | | | | | | | | | | | | | |
| Size:mm | | | | | | | | | | | | | | | | | | | | | | | | | | | | | | | |
| Weight:kg | 1.15 | | | | | | | | | | | | | | | | | | | | | | | | | | | | | | |
| NO. | NO.A66-26 | | | | | | | | | | | | | | | | | | | | | | | | | | | | | | |
| Part No. | DZ9014470008 | | | | | | | | | | | | | | | | | | | | | | | | | | | | | | |
| CH part name | 动力缸 | | | | | | | | | | | | | | | | | | | | | | | | | | | | | | |
| EN part name | Power cylinder | | | | | | | | | | | | | | | | | | | | | | | | | | | | | | |
| RU part name | Цилиндр рулевой | | | | | | | | | | | | | | | | | | | | | | | | | | | | | | |
| Size:mm | 43.5*77.5*60 | | | | | | | | | | | | | | | | | | | | | | | | | | | | | | |
| Weight:kg | 5.09 | | | | | | | | | | | | | | | | | | | | | | | | | | | | | | |
| NO. | NO.66-29 | | | | | | | | | | | | | | | | | | | | | | | | | | | | | | |
| Remarks: SHACMAN F2000 8*4 | | Remarks: SHACMAN F2000 8*4 | | | | | | | | | | | | | | | | | | | | | | | | | | | | | |
|  | <table border="1"> <tr><td>Part No.</td><td>DZ93319470004</td></tr> <tr><td>CH part name</td><td>液压油缸支架</td></tr> <tr><td>EN part name</td><td>Bracket</td></tr> <tr><td>RU part name</td><td>кронштейн</td></tr> <tr><td>Size:mm</td><td></td></tr> <tr><td>Weight:kg</td><td>0.98</td></tr> <tr><td>NO.</td><td>NO.66-32</td></tr> </table> | Part No. | DZ93319470004 | CH part name | 液压油缸支架 | EN part name | Bracket | RU part name | кронштейн | Size:mm | | Weight:kg | 0.98 | NO. | NO.66-32 |  | <table border="1"> <tr><td>Part No.</td><td>DZ9118430022</td></tr> <tr><td>CH part name</td><td>转向直拉杆</td></tr> <tr><td>EN part name</td><td>Drag link</td></tr> <tr><td>RU part name</td><td>перетаските ссылку</td></tr> <tr><td>Size:mm</td><td></td></tr> <tr><td>Weight:kg</td><td>7.2</td></tr> <tr><td>NO.</td><td>NO.66-11</td></tr> </table> | Part No. | DZ9118430022 | CH part name | 转向直拉杆 | EN part name | Drag link | RU part name | перетаските ссылку | Size:mm | | Weight:kg | 7.2 | NO. | NO.66-11 |
| Part No. | DZ93319470004 | | | | | | | | | | | | | | | | | | | | | | | | | | | | | | |
| CH part name | 液压油缸支架 | | | | | | | | | | | | | | | | | | | | | | | | | | | | | | |
| EN part name | Bracket | | | | | | | | | | | | | | | | | | | | | | | | | | | | | | |
| RU part name | кронштейн | | | | | | | | | | | | | | | | | | | | | | | | | | | | | | |
| Size:mm | | | | | | | | | | | | | | | | | | | | | | | | | | | | | | | |
| Weight:kg | 0.98 | | | | | | | | | | | | | | | | | | | | | | | | | | | | | | |
| NO. | NO.66-32 | | | | | | | | | | | | | | | | | | | | | | | | | | | | | | |
| Part No. | DZ9118430022 | | | | | | | | | | | | | | | | | | | | | | | | | | | | | | |
| CH part name | 转向直拉杆 | | | | | | | | | | | | | | | | | | | | | | | | | | | | | | |
| EN part name | Drag link | | | | | | | | | | | | | | | | | | | | | | | | | | | | | | |
| RU part name | перетаските ссылку | | | | | | | | | | | | | | | | | | | | | | | | | | | | | | |
| Size:mm | | | | | | | | | | | | | | | | | | | | | | | | | | | | | | | |
| Weight:kg | 7.2 | | | | | | | | | | | | | | | | | | | | | | | | | | | | | | |
| NO. | NO.66-11 | | | | | | | | | | | | | | | | | | | | | | | | | | | | | | |
| Remarks: SHACMAN F2000 8*4 | | Remarks: SHACMAN F2000 8*4 6.5T 双前轴 | | | | | | | | | | | | | | | | | | | | | | | | | | | | | |


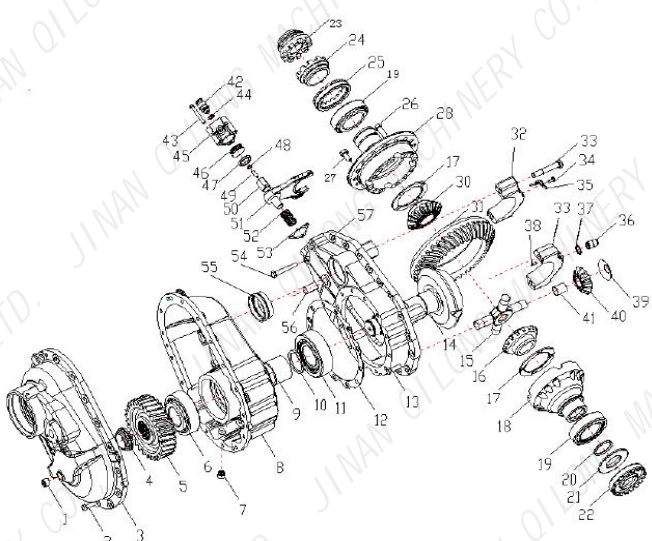





SHACMAN(1)

| | | | | | | | | | | | | | | | | | | | | | | | | | | | | | | | |
|---|--|--|--------------|--------------|----------|--------------|------------------------|--------------|-----------------------------|---------|---------------|-----------|------|-----|-----------------|---|---|----------|---------------|--------------|-----------|--------------|---------------------------|--------------|--------------------------|---------|--|-----------|------|-----|-----------------|
|  | <table border="1"> <tr><td>Part No.</td><td>DZ9118430018</td></tr> <tr><td>CH part name</td><td>转向直拉杆40</td></tr> <tr><td>EN part name</td><td>Drag link</td></tr> <tr><td>RU part name</td><td>переташите ссылку</td></tr> <tr><td>Size:mm</td><td></td></tr> <tr><td>Weight:kg</td><td>7.2</td></tr> <tr><td>NO.</td><td>NO.66-11</td></tr> </table> | Part No. | DZ9118430018 | CH part name | 转向直拉杆40 | EN part name | Drag link | RU part name | переташите ссылку | Size:mm | | Weight:kg | 7.2 | NO. | NO.66-11 |  | <table border="1"> <tr><td>Part No.</td><td>DZ91189430004</td></tr> <tr><td>CH part name</td><td>转向中间拉杆40</td></tr> <tr><td>EN part name</td><td>Drag link</td></tr> <tr><td>RU part name</td><td>переташите ссылку</td></tr> <tr><td>Size:mm</td><td></td></tr> <tr><td>Weight:kg</td><td>7.2</td></tr> <tr><td>NO.</td><td>NO.66-23</td></tr> </table> | Part No. | DZ91189430004 | CH part name | 转向中间拉杆40 | EN part name | Drag link | RU part name | переташите ссылку | Size:mm | | Weight:kg | 7.2 | NO. | NO.66-23 |
| Part No. | DZ9118430018 | | | | | | | | | | | | | | | | | | | | | | | | | | | | | | |
| CH part name | 转向直拉杆40 | | | | | | | | | | | | | | | | | | | | | | | | | | | | | | |
| EN part name | Drag link | | | | | | | | | | | | | | | | | | | | | | | | | | | | | | |
| RU part name | переташите ссылку | | | | | | | | | | | | | | | | | | | | | | | | | | | | | | |
| Size:mm | | | | | | | | | | | | | | | | | | | | | | | | | | | | | | | |
| Weight:kg | 7.2 | | | | | | | | | | | | | | | | | | | | | | | | | | | | | | |
| NO. | NO.66-11 | | | | | | | | | | | | | | | | | | | | | | | | | | | | | | |
| Part No. | DZ91189430004 | | | | | | | | | | | | | | | | | | | | | | | | | | | | | | |
| CH part name | 转向中间拉杆40 | | | | | | | | | | | | | | | | | | | | | | | | | | | | | | |
| EN part name | Drag link | | | | | | | | | | | | | | | | | | | | | | | | | | | | | | |
| RU part name | переташите ссылку | | | | | | | | | | | | | | | | | | | | | | | | | | | | | | |
| Size:mm | | | | | | | | | | | | | | | | | | | | | | | | | | | | | | | |
| Weight:kg | 7.2 | | | | | | | | | | | | | | | | | | | | | | | | | | | | | | |
| NO. | NO.66-23 | | | | | | | | | | | | | | | | | | | | | | | | | | | | | | |
| Remarks: SHACMAN F2000 8*4 8T 双前轴 | | Remarks: SHACMAN F2000 8*4 6.5T 双前轴 | | | | | | | | | | | | | | | | | | | | | | | | | | | | | |
|  | <table border="1"> <tr><td>Part No.</td><td>DZ9118470223</td></tr> <tr><td>CH part name</td><td>转向中间摇臂总成</td></tr> <tr><td>EN part name</td><td>Middle Pitman arm assy</td></tr> <tr><td>RU part name</td><td>средний питман руку, астрид</td></tr> <tr><td>Size:mm</td><td></td></tr> <tr><td>Weight:kg</td><td>1.89</td></tr> <tr><td>NO.</td><td>NO.66-24</td></tr> </table> | Part No. | DZ9118470223 | CH part name | 转向中间摇臂总成 | EN part name | Middle Pitman arm assy | RU part name | средний питман руку, астрид | Size:mm | | Weight:kg | 1.89 | NO. | NO.66-24 |  | <table border="1"> <tr><td>Part No.</td><td>DZ9118430020</td></tr> <tr><td>CH part name</td><td>转向中间拉杆40</td></tr> <tr><td>EN part name</td><td>Drag link</td></tr> <tr><td>RU part name</td><td>переташите ссылку</td></tr> <tr><td>Size:mm</td><td></td></tr> <tr><td>Weight:kg</td><td>7.2</td></tr> <tr><td>NO.</td><td>NO.66-23</td></tr> </table> | Part No. | DZ9118430020 | CH part name | 转向中间拉杆40 | EN part name | Drag link | RU part name | переташите ссылку | Size:mm | | Weight:kg | 7.2 | NO. | NO.66-23 |
| Part No. | DZ9118470223 | | | | | | | | | | | | | | | | | | | | | | | | | | | | | | |
| CH part name | 转向中间摇臂总成 | | | | | | | | | | | | | | | | | | | | | | | | | | | | | | |
| EN part name | Middle Pitman arm assy | | | | | | | | | | | | | | | | | | | | | | | | | | | | | | |
| RU part name | средний питман руку, астрид | | | | | | | | | | | | | | | | | | | | | | | | | | | | | | |
| Size:mm | | | | | | | | | | | | | | | | | | | | | | | | | | | | | | | |
| Weight:kg | 1.89 | | | | | | | | | | | | | | | | | | | | | | | | | | | | | | |
| NO. | NO.66-24 | | | | | | | | | | | | | | | | | | | | | | | | | | | | | | |
| Part No. | DZ9118430020 | | | | | | | | | | | | | | | | | | | | | | | | | | | | | | |
| CH part name | 转向中间拉杆40 | | | | | | | | | | | | | | | | | | | | | | | | | | | | | | |
| EN part name | Drag link | | | | | | | | | | | | | | | | | | | | | | | | | | | | | | |
| RU part name | переташите ссылку | | | | | | | | | | | | | | | | | | | | | | | | | | | | | | |
| Size:mm | | | | | | | | | | | | | | | | | | | | | | | | | | | | | | | |
| Weight:kg | 7.2 | | | | | | | | | | | | | | | | | | | | | | | | | | | | | | |
| NO. | NO.66-23 | | | | | | | | | | | | | | | | | | | | | | | | | | | | | | |
| Remarks: SHACMAN F2000 8*4 | | Remarks: SHACMAN F2000 8*4 8T 双前轴 | | | | | | | | | | | | | | | | | | | | | | | | | | | | | |
|  | <table border="1"> <tr><td>Part No.</td><td>DZ9118430023</td></tr> <tr><td>CH part name</td><td>转向直拉杆</td></tr> <tr><td>EN part name</td><td>Drag link</td></tr> <tr><td>RU part name</td><td>переташите ссылку</td></tr> <tr><td>Size:mm</td><td></td></tr> <tr><td>Weight:kg</td><td>7.2</td></tr> <tr><td>NO.</td><td>NO.66-34</td></tr> </table> | Part No. | DZ9118430023 | CH part name | 转向直拉杆 | EN part name | Drag link | RU part name | переташите ссылку | Size:mm | | Weight:kg | 7.2 | NO. | NO.66-34 |  | <table border="1"> <tr><td>Part No.</td><td>DZ93319470015</td></tr> <tr><td>CH part name</td><td>油缸护套</td></tr> <tr><td>EN part name</td><td>Hydraulic cylinder sheath</td></tr> <tr><td>RU part name</td><td>гидроцилиндр оболочкой</td></tr> <tr><td>Size:mm</td><td></td></tr> <tr><td>Weight:kg</td><td>0.05</td></tr> <tr><td>NO.</td><td>NO.66-27</td></tr> </table> | Part No. | DZ93319470015 | CH part name | 油缸护套 | EN part name | Hydraulic cylinder sheath | RU part name | гидроцилиндр оболочкой | Size:mm | | Weight:kg | 0.05 | NO. | NO.66-27 |
| Part No. | DZ9118430023 | | | | | | | | | | | | | | | | | | | | | | | | | | | | | | |
| CH part name | 转向直拉杆 | | | | | | | | | | | | | | | | | | | | | | | | | | | | | | |
| EN part name | Drag link | | | | | | | | | | | | | | | | | | | | | | | | | | | | | | |
| RU part name | переташите ссылку | | | | | | | | | | | | | | | | | | | | | | | | | | | | | | |
| Size:mm | | | | | | | | | | | | | | | | | | | | | | | | | | | | | | | |
| Weight:kg | 7.2 | | | | | | | | | | | | | | | | | | | | | | | | | | | | | | |
| NO. | NO.66-34 | | | | | | | | | | | | | | | | | | | | | | | | | | | | | | |
| Part No. | DZ93319470015 | | | | | | | | | | | | | | | | | | | | | | | | | | | | | | |
| CH part name | 油缸护套 | | | | | | | | | | | | | | | | | | | | | | | | | | | | | | |
| EN part name | Hydraulic cylinder sheath | | | | | | | | | | | | | | | | | | | | | | | | | | | | | | |
| RU part name | гидроцилиндр оболочкой | | | | | | | | | | | | | | | | | | | | | | | | | | | | | | |
| Size:mm | | | | | | | | | | | | | | | | | | | | | | | | | | | | | | | |
| Weight:kg | 0.05 | | | | | | | | | | | | | | | | | | | | | | | | | | | | | | |
| NO. | NO.66-27 | | | | | | | | | | | | | | | | | | | | | | | | | | | | | | |
| Remarks: SHACMAN F2000 8*4 6.5T 双前轴 | | Remarks: SHACMAN F2000 F3000 8*4 | | | | | | | | | | | | | | | | | | | | | | | | | | | | | |
|  | <table border="1"> <tr><td>Part No.</td><td>DZ9100610021</td></tr> <tr><td>CH part name</td><td>轮胎总成</td></tr> <tr><td>EN part name</td><td>Tyre Assembly</td></tr> <tr><td>RU part name</td><td>Шин в сборе</td></tr> <tr><td>Size:mm</td><td>12.00R20 18PR</td></tr> <tr><td>Weight:kg</td><td></td></tr> <tr><td>NO.</td><td></td></tr> </table> | Part No. | DZ9100610021 | CH part name | 轮胎总成 | EN part name | Tyre Assembly | RU part name | Шин в сборе | Size:mm | 12.00R20 18PR | Weight:kg | | NO. | |  | <table border="1"> <tr><td>Part No.</td><td>DZ91006100618</td></tr> <tr><td>CH part name</td><td>5-20二件式轮辋</td></tr> <tr><td>EN part name</td><td>Carriage wheel Assembl</td></tr> <tr><td>RU part name</td><td>carriage колеса собрание</td></tr> <tr><td>Size:mm</td><td></td></tr> <tr><td>Weight:kg</td><td>22</td></tr> <tr><td>NO.</td><td></td></tr> </table> | Part No. | DZ91006100618 | CH part name | 5-20二件式轮辋 | EN part name | Carriage wheel Assembl | RU part name | carriage колеса собрание | Size:mm | | Weight:kg | 22 | NO. | |
| Part No. | DZ9100610021 | | | | | | | | | | | | | | | | | | | | | | | | | | | | | | |
| CH part name | 轮胎总成 | | | | | | | | | | | | | | | | | | | | | | | | | | | | | | |
| EN part name | Tyre Assembly | | | | | | | | | | | | | | | | | | | | | | | | | | | | | | |
| RU part name | Шин в сборе | | | | | | | | | | | | | | | | | | | | | | | | | | | | | | |
| Size:mm | 12.00R20 18PR | | | | | | | | | | | | | | | | | | | | | | | | | | | | | | |
| Weight:kg | | | | | | | | | | | | | | | | | | | | | | | | | | | | | | | |
| NO. | | | | | | | | | | | | | | | | | | | | | | | | | | | | | | | |
| Part No. | DZ91006100618 | | | | | | | | | | | | | | | | | | | | | | | | | | | | | | |
| CH part name | 5-20二件式轮辋 | | | | | | | | | | | | | | | | | | | | | | | | | | | | | | |
| EN part name | Carriage wheel Assembl | | | | | | | | | | | | | | | | | | | | | | | | | | | | | | |
| RU part name | carriage колеса собрание | | | | | | | | | | | | | | | | | | | | | | | | | | | | | | |
| Size:mm | | | | | | | | | | | | | | | | | | | | | | | | | | | | | | | |
| Weight:kg | 22 | | | | | | | | | | | | | | | | | | | | | | | | | | | | | | |
| NO. | | | | | | | | | | | | | | | | | | | | | | | | | | | | | | | |
| Remarks: SHACMAN F3000 F2000 X3000 M3000 8*4 6*4 | | Remarks: SHACMAN F3000 F2000 X3000 M3000 8*4 6*4 | | | | | | | | | | | | | | | | | | | | | | | | | | | | | |

SHACMAN(1)

| KD1269 | | | HOUSING MIDDLE AXLE | | | NO.67 | | | HDS300 | | |
|--|--------------|--|---|--------------|---------------------------------|-------|--|--|--------|--|--|
|  | Part No. | 199014320144 |  | | | | | | | | |
| | CH part name | 过桥箱盖STEYR | | | | | | | | | |
| | EN part name | Pass-axle box cap | | | | | | | | | |
| | RU part name | Крышка картера среднего моста | | | | | | | | | |
| | Size:mm | 460*180*125 | | | | | | | | | |
| | Weight:kg | 12.5 | | | | | | | | | |
| | NO. | NO.67-57 | | | | | | | | | |
| Remarks: SHACMAN F3000 F2000 X3000 M3000 8*4 6*4 STEYR | | | | | | | | | | | |
| KD1270 | | | | | | | | | | | |
|  | Part No. | 199014320119 | | | | | | | | | |
| | CH part name | 中桥主减速器壳 | | | | | | | | | |
| | EN part name | Housing reducer | | | | | | | | | |
| | RU part name | дifferenhousing reducertial рычаг, астрид. | | | | | | | | | |
| | Size:mm | 450*375*280 | | | | | | | | | |
| | Weight:kg | 35 | | | | | | | | | |
| | NO. | NO.67-51 | | | | | | | | | |
| Remarks: SHACMAN F3000 F2000 X3000 M3000 8*4 6*4 STEYR | | | | | | | | | | | |
| KD1271 | | | KD1272 | | | | | | | | |
|  | Part No. | 199014320076 |  | Part No. | 199014320259 | | | | | | |
| | CH part name | 轴间锁摇臂总成 | | CH part name | 过桥箱 | | | | | | |
| | EN part name | Rocker arm | | EN part name | Cross axle box | | | | | | |
| | RU part name | Рычаг включения межосевой блокировки | | RU part name | Картер редуктора среднего моста | | | | | | |
| | Size:mm | 182*108*30 | | Size:mm | 460*285*190 | | | | | | |
| | Weight:kg | 0.49 | | Weight:kg | 24 | | | | | | |
| | NO. | NO.67-15 | | NO. | NO.67-55 | | | | | | |
| Remarks: SHACMAN F3000 F2000 X3000 M3000 8*4 6*4 STEYR | | | Remarks: SHACMAN F3000 F2000 X3000 M3000 8*4 6*4 STEYR | | | | | | | | |
| KD1273 | | | KD1274 | | | | | | | | |
|  | Part No. | 179100360018 |  | Part No. | 199014330125 | | | | | | |
| | CH part name | 工作缸 | | CH part name | 操纵杆 | | | | | | |
| | EN part name | Working cylinder | | EN part name | Operation handle assy. | | | | | | |
| | RU part name | рабочий цилиндр | | RU part name | Управляющий рычаг в сборе | | | | | | |
| | Size:mm | 195*46*35 | | Size:mm | 182*150*30 | | | | | | |
| | Weight:kg | 0.269 | | Weight:kg | 0.49 | | | | | | |
| | NO. | NO.67-24 | | NO. | NO.67-35 | | | | | | |
| Remarks: SHACMAN F3000 F2000 X3000 M3000 8*4 6*4 MAN | | | Remarks: SHACMAN F3000 F2000 X3000 M3000 8*4 6*4 STEYR | | | | | | | | |

SHACMAN(1)

| KD1275 | | | MIDDLE AXLE DRIVING DEVICE I | | | NO.A67 HDM300 | | |
|--|--------------|-----------------------------------|---|--|------------------|------------------|--|--|
|  | Part No. | 199014320175 |  |  | Part No. | 81.35631.0006 | | |
| | CH part name | 中桥油封座 | | | CH part name | 压力开关缸 | | |
| | EN part name | Cover | | | EN part name | Shift cylinder | | |
| | RU part name | Крышка торцевая | | | RU part name | переход цилиндра | | |
| | Size:mm | 179*36*30 | | | Size:mm | | | |
| | Weight:kg | 1.35 | | | Weight:kg | 0.3 | | |
| | NO. | NO.67-3 | | | NO. | NO.A67-45 | | |
| Remarks: SHACMAN F3000 F2000 X3000 M3000 8*4 6*4 STEYR | | | Remarks: SHACMAN F3000 F2000 X3000 M3000 8*4 6*4 MAN | | | | | |
| KD1276 | | | KD1278 | | | | | |
|  | Part No. | 199014320141 |  | Part No. | 81.35614.0006 | | | |
| | CH part name | 贯通轴油封座 | | CH part name | 差速器锁拨叉 | | | |
| | EN part name | Middle axle bearing seat | | EN part name | Selector fork | | | |
| | RU part name | Крышка проходного вала | | RU part name | Вилка | | | |
| | Size:mm | 160*105*30 | | Size:mm | 115*95*32 | | | |
| | Weight:kg | 1.2 | | Weight:kg | 0.717 | | | |
| | NO. | NO.67-39 | | NO. | NO.A67-51 | | | |
| Remarks: SHACMAN F3000 F2000 X3000 M3000 8*4 6*4 STEYR | | | Remarks: SHACMAN F3000 F2000 X3000 M3000 8*4 6*4 MAN | | | | | |
| KD1277 | | | KD1279 | | | | | |
|  | Part No. | 179100710003 |  | Part No. | 586 330015 | | | |
| | CH part name | 压力开关 | | CH part name | 桥壳磁性螺塞 | | | |
| | EN part name | Pressuer sensor | | EN part name | Magnetic plug | | | |
| | RU part name | Датчик включения блокировки моста | | RU part name | Магнитный болт | | | |
| | Size:mm | 50*24*24 | | Size:mm | 46*46*26 | | | |
| | Weight:kg | 0.08 | | Weight:kg | 0.17 | | | |
| | NO. | NO.67-6 | | NO. | NO.67-54 | | | |
| Remarks: SHACMAN F3000 F2000 X3000 M3000 8*4 6*4 STEYR | | | Remarks: SHACMAN F3000 F2000 X3000 M3000 8*4 6*4 STEYR | | | | | |

SHACMAN(1)

| | | | | | | | | | | | | | | | | | | | | | | | | | | | | | | | |
|---|--|---|---------------|--------------|---------|--------------|-------------------|--------------|--|---------|-------------|-----------|-------|-----|------------------|---|--|----------|---------------|--------------|---------|--------------|---------------------|--------------|-----------------------------------|---------|------------|-----------|-------|-----|------------------|
|  | <table border="1"> <tr><td>Part No.</td><td>199000330006</td></tr> <tr><td>CH part name</td><td>通气口总成</td></tr> <tr><td>EN part name</td><td>Air vent assembly</td></tr> <tr><td>RU part name</td><td>вытяжка ассамблеи</td></tr> <tr><td>Size:mm</td><td></td></tr> <tr><td>Weight:kg</td><td>0.09</td></tr> <tr><td>NO.</td><td>NO.A67-40</td></tr> </table> | Part No. | 199000330006 | CH part name | 通气口总成 | EN part name | Air vent assembly | RU part name | вытяжка ассамблеи | Size:mm | | Weight:kg | 0.09 | NO. | NO.A67-40 |  | <table border="1"> <tr><td>Part No.</td><td>81.25503.0244</td></tr> <tr><td>CH part name</td><td>差速锁压力开关</td></tr> <tr><td>EN part name</td><td>Pressuer sensor</td></tr> <tr><td>RU part name</td><td>Датчик включения блокировки моста</td></tr> <tr><td>Size:mm</td><td>800*25*25</td></tr> <tr><td>Weight:kg</td><td>0.076</td></tr> <tr><td>NO.</td><td>NO.A67-42</td></tr> </table> | Part No. | 81.25503.0244 | CH part name | 差速锁压力开关 | EN part name | Pressuer sensor | RU part name | Датчик включения блокировки моста | Size:mm | 800*25*25 | Weight:kg | 0.076 | NO. | NO.A67-42 |
| Part No. | 199000330006 | | | | | | | | | | | | | | | | | | | | | | | | | | | | | | |
| CH part name | 通气口总成 | | | | | | | | | | | | | | | | | | | | | | | | | | | | | | |
| EN part name | Air vent assembly | | | | | | | | | | | | | | | | | | | | | | | | | | | | | | |
| RU part name | вытяжка ассамблеи | | | | | | | | | | | | | | | | | | | | | | | | | | | | | | |
| Size:mm | | | | | | | | | | | | | | | | | | | | | | | | | | | | | | | |
| Weight:kg | 0.09 | | | | | | | | | | | | | | | | | | | | | | | | | | | | | | |
| NO. | NO.A67-40 | | | | | | | | | | | | | | | | | | | | | | | | | | | | | | |
| Part No. | 81.25503.0244 | | | | | | | | | | | | | | | | | | | | | | | | | | | | | | |
| CH part name | 差速锁压力开关 | | | | | | | | | | | | | | | | | | | | | | | | | | | | | | |
| EN part name | Pressuer sensor | | | | | | | | | | | | | | | | | | | | | | | | | | | | | | |
| RU part name | Датчик включения блокировки моста | | | | | | | | | | | | | | | | | | | | | | | | | | | | | | |
| Size:mm | 800*25*25 | | | | | | | | | | | | | | | | | | | | | | | | | | | | | | |
| Weight:kg | 0.076 | | | | | | | | | | | | | | | | | | | | | | | | | | | | | | |
| NO. | NO.A67-42 | | | | | | | | | | | | | | | | | | | | | | | | | | | | | | |
| Remarks: SHACMAN F3000 F2000 X3000 M3000 8*4 6*4 STEYR | | Remarks: SHACMAN F3000 F2000 X3000 M3000 8*4 6*4 MAN | | | | | | | | | | | | | | | | | | | | | | | | | | | | | |
|  | <table border="1"> <tr><td>Part No.</td><td>81.35301.6094</td></tr> <tr><td>CH part name</td><td>中桥主减速器壳</td></tr> <tr><td>EN part name</td><td>Housing reducer</td></tr> <tr><td>RU part name</td><td>differenhousing reducertial рычаг, астрид.</td></tr> <tr><td>Size:mm</td><td>450*375*280</td></tr> <tr><td>Weight:kg</td><td>35</td></tr> <tr><td>NO.</td><td>NO.A67-13</td></tr> </table> | Part No. | 81.35301.6094 | CH part name | 中桥主减速器壳 | EN part name | Housing reducer | RU part name | differenhousing reducertial рычаг, астрид. | Size:mm | 450*375*280 | Weight:kg | 35 | NO. | NO.A67-13 |  | <table border="1"> <tr><td>Part No.</td><td>81.35412.0013</td></tr> <tr><td>CH part name</td><td>中间套</td></tr> <tr><td>EN part name</td><td>Locating cowl</td></tr> <tr><td>RU part name</td><td>поиск капюшон</td></tr> <tr><td>Size:mm</td><td></td></tr> <tr><td>Weight:kg</td><td>0.02</td></tr> <tr><td>NO.</td><td>NO.A67-55</td></tr> </table> | Part No. | 81.35412.0013 | CH part name | 中间套 | EN part name | Locating cowl | RU part name | поиск капюшон | Size:mm | | Weight:kg | 0.02 | NO. | NO.A67-55 |
| Part No. | 81.35301.6094 | | | | | | | | | | | | | | | | | | | | | | | | | | | | | | |
| CH part name | 中桥主减速器壳 | | | | | | | | | | | | | | | | | | | | | | | | | | | | | | |
| EN part name | Housing reducer | | | | | | | | | | | | | | | | | | | | | | | | | | | | | | |
| RU part name | differenhousing reducertial рычаг, астрид. | | | | | | | | | | | | | | | | | | | | | | | | | | | | | | |
| Size:mm | 450*375*280 | | | | | | | | | | | | | | | | | | | | | | | | | | | | | | |
| Weight:kg | 35 | | | | | | | | | | | | | | | | | | | | | | | | | | | | | | |
| NO. | NO.A67-13 | | | | | | | | | | | | | | | | | | | | | | | | | | | | | | |
| Part No. | 81.35412.0013 | | | | | | | | | | | | | | | | | | | | | | | | | | | | | | |
| CH part name | 中间套 | | | | | | | | | | | | | | | | | | | | | | | | | | | | | | |
| EN part name | Locating cowl | | | | | | | | | | | | | | | | | | | | | | | | | | | | | | |
| RU part name | поиск капюшон | | | | | | | | | | | | | | | | | | | | | | | | | | | | | | |
| Size:mm | | | | | | | | | | | | | | | | | | | | | | | | | | | | | | | |
| Weight:kg | 0.02 | | | | | | | | | | | | | | | | | | | | | | | | | | | | | | |
| NO. | NO.A67-55 | | | | | | | | | | | | | | | | | | | | | | | | | | | | | | |
| Remarks: SHACMAN F3000 F2000 X3000 M3000 8*4 6*4 HDM300 | | Remarks: SHACMAN F3000 F2000 X3000 M3000 8*4 6*4 HDM300 | | | | | | | | | | | | | | | | | | | | | | | | | | | | | |
|  | <table border="1"> <tr><td>Part No.</td><td>81.35602.0009</td></tr> <tr><td>CH part name</td><td>过桥箱盖MAN</td></tr> <tr><td>EN part name</td><td>Pass-axle box cap</td></tr> <tr><td>RU part name</td><td>Крышка картера среднего моста</td></tr> <tr><td>Size:mm</td><td></td></tr> <tr><td>Weight:kg</td><td>13.6</td></tr> <tr><td>NO.</td><td>NO.A67-3</td></tr> </table> | Part No. | 81.35602.0009 | CH part name | 过桥箱盖MAN | EN part name | Pass-axle box cap | RU part name | Крышка картера среднего моста | Size:mm | | Weight:kg | 13.6 | NO. | NO.A67-3 |  | <table border="1"> <tr><td>Part No.</td><td>81.90301.0025</td></tr> <tr><td>CH part name</td><td>油堵</td></tr> <tr><td>EN part name</td><td>Oil plug</td></tr> <tr><td>RU part name</td><td>нефть, пробка</td></tr> <tr><td>Size:mm</td><td></td></tr> <tr><td>Weight:kg</td><td>0.05</td></tr> <tr><td>NO.</td><td>NO.A67-7</td></tr> </table> | Part No. | 81.90301.0025 | CH part name | 油堵 | EN part name | Oil plug | RU part name | нефть, пробка | Size:mm | | Weight:kg | 0.05 | NO. | NO.A67-7 |
| Part No. | 81.35602.0009 | | | | | | | | | | | | | | | | | | | | | | | | | | | | | | |
| CH part name | 过桥箱盖MAN | | | | | | | | | | | | | | | | | | | | | | | | | | | | | | |
| EN part name | Pass-axle box cap | | | | | | | | | | | | | | | | | | | | | | | | | | | | | | |
| RU part name | Крышка картера среднего моста | | | | | | | | | | | | | | | | | | | | | | | | | | | | | | |
| Size:mm | | | | | | | | | | | | | | | | | | | | | | | | | | | | | | | |
| Weight:kg | 13.6 | | | | | | | | | | | | | | | | | | | | | | | | | | | | | | |
| NO. | NO.A67-3 | | | | | | | | | | | | | | | | | | | | | | | | | | | | | | |
| Part No. | 81.90301.0025 | | | | | | | | | | | | | | | | | | | | | | | | | | | | | | |
| CH part name | 油堵 | | | | | | | | | | | | | | | | | | | | | | | | | | | | | | |
| EN part name | Oil plug | | | | | | | | | | | | | | | | | | | | | | | | | | | | | | |
| RU part name | нефть, пробка | | | | | | | | | | | | | | | | | | | | | | | | | | | | | | |
| Size:mm | | | | | | | | | | | | | | | | | | | | | | | | | | | | | | | |
| Weight:kg | 0.05 | | | | | | | | | | | | | | | | | | | | | | | | | | | | | | |
| NO. | NO.A67-7 | | | | | | | | | | | | | | | | | | | | | | | | | | | | | | |
| Remarks: SHACMAN F3000 F2000 X3000 M3000 8*4 6*4 HDM300 | | Remarks: SHACMAN F3000 F2000 X3000 M3000 8*4 6*4 HDM300 | | | | | | | | | | | | | | | | | | | | | | | | | | | | | |
|  | <table border="1"> <tr><td>Part No.</td><td>81.90685.0303</td></tr> <tr><td>CH part name</td><td>十二角螺母</td></tr> <tr><td>EN part name</td><td>Locknut</td></tr> <tr><td>RU part name</td><td>Фланцевая гайка</td></tr> <tr><td>Size:mm</td><td></td></tr> <tr><td>Weight:kg</td><td>0.225</td></tr> <tr><td>NO.</td><td>NO.A67-4</td></tr> </table> | Part No. | 81.90685.0303 | CH part name | 十二角螺母 | EN part name | Locknut | RU part name | Фланцевая гайка | Size:mm | | Weight:kg | 0.225 | NO. | NO.A67-4 |  | <table border="1"> <tr><td>Part No.</td><td>81.35610.0011</td></tr> <tr><td>CH part name</td><td>过桥箱被动齿轮</td></tr> <tr><td>EN part name</td><td>Passive column gear</td></tr> <tr><td>RU part name</td><td>Ведомая шестерня</td></tr> <tr><td>Size:mm</td><td>190*190*45</td></tr> <tr><td>Weight:kg</td><td>9.5</td></tr> <tr><td>NO.</td><td>NO.A67-5</td></tr> </table> | Part No. | 81.35610.0011 | CH part name | 过桥箱被动齿轮 | EN part name | Passive column gear | RU part name | Ведомая шестерня | Size:mm | 190*190*45 | Weight:kg | 9.5 | NO. | NO.A67-5 |
| Part No. | 81.90685.0303 | | | | | | | | | | | | | | | | | | | | | | | | | | | | | | |
| CH part name | 十二角螺母 | | | | | | | | | | | | | | | | | | | | | | | | | | | | | | |
| EN part name | Locknut | | | | | | | | | | | | | | | | | | | | | | | | | | | | | | |
| RU part name | Фланцевая гайка | | | | | | | | | | | | | | | | | | | | | | | | | | | | | | |
| Size:mm | | | | | | | | | | | | | | | | | | | | | | | | | | | | | | | |
| Weight:kg | 0.225 | | | | | | | | | | | | | | | | | | | | | | | | | | | | | | |
| NO. | NO.A67-4 | | | | | | | | | | | | | | | | | | | | | | | | | | | | | | |
| Part No. | 81.35610.0011 | | | | | | | | | | | | | | | | | | | | | | | | | | | | | | |
| CH part name | 过桥箱被动齿轮 | | | | | | | | | | | | | | | | | | | | | | | | | | | | | | |
| EN part name | Passive column gear | | | | | | | | | | | | | | | | | | | | | | | | | | | | | | |
| RU part name | Ведомая шестерня | | | | | | | | | | | | | | | | | | | | | | | | | | | | | | |
| Size:mm | 190*190*45 | | | | | | | | | | | | | | | | | | | | | | | | | | | | | | |
| Weight:kg | 9.5 | | | | | | | | | | | | | | | | | | | | | | | | | | | | | | |
| NO. | NO.A67-5 | | | | | | | | | | | | | | | | | | | | | | | | | | | | | | |
| Remarks: SHACMAN F3000 F2000 X3000 M3000 8*4 6*4 MAN | | Remarks: SHACMAN F3000 F2000 X3000 M3000 8*4 6*4 MAN | | | | | | | | | | | | | | | | | | | | | | | | | | | | | |

SHACMAN(1)

| | | | | | | | | | | | | | | | | | | | | | | | | | | | | | | | |
|---|---|--|---------------|--------------|--------------|--------------|--------------------|--------------|-----------------------|---------|-------------|-----------|------|-----|---------------------|---|--|----------|----------------|--------------|-----------|--------------|--------------------------|--------------|----------------------|---------|-------------|-----------|-----|-----|---------------------|
|  | <table border="1"> <tr><td>Part No.</td><td>81.90701.0710</td></tr> <tr><td>CH part name</td><td>主减速器壳调整垫圈</td></tr> <tr><td>EN part name</td><td>Adjusting washer</td></tr> <tr><td>RU part name</td><td>регулирующая шайба</td></tr> <tr><td>Size:mm</td><td>365*365*0.1</td></tr> <tr><td>Weight:kg</td><td>0.02</td></tr> <tr><td>NO.</td><td>NO.A67-12</td></tr> </table> | Part No. | 81.90701.0710 | CH part name | 主减速器壳调整垫圈 | EN part name | Adjusting washer | RU part name | регулирующая шайба | Size:mm | 365*365*0.1 | Weight:kg | 0.02 | NO. | NO.A67-12 |  | <table border="1"> <tr><td>Part No.</td><td>06.32499.0095</td></tr> <tr><td>CH part name</td><td>圆锥滚子轴承</td></tr> <tr><td>EN part name</td><td>Row-steep roller bearing</td></tr> <tr><td>RU part name</td><td>Подшипник</td></tr> <tr><td>Size:</td><td>32313B</td></tr> <tr><td>Weight:kg</td><td>3.5</td></tr> <tr><td>NO.</td><td>NO.A67-6</td></tr> </table> | Part No. | 06.32499.0095 | CH part name | 圆锥滚子轴承 | EN part name | Row-steep roller bearing | RU part name | Подшипник | Size: | 32313B | Weight:kg | 3.5 | NO. | NO.A67-6 |
| Part No. | 81.90701.0710 | | | | | | | | | | | | | | | | | | | | | | | | | | | | | | |
| CH part name | 主减速器壳调整垫圈 | | | | | | | | | | | | | | | | | | | | | | | | | | | | | | |
| EN part name | Adjusting washer | | | | | | | | | | | | | | | | | | | | | | | | | | | | | | |
| RU part name | регулирующая шайба | | | | | | | | | | | | | | | | | | | | | | | | | | | | | | |
| Size:mm | 365*365*0.1 | | | | | | | | | | | | | | | | | | | | | | | | | | | | | | |
| Weight:kg | 0.02 | | | | | | | | | | | | | | | | | | | | | | | | | | | | | | |
| NO. | NO.A67-12 | | | | | | | | | | | | | | | | | | | | | | | | | | | | | | |
| Part No. | 06.32499.0095 | | | | | | | | | | | | | | | | | | | | | | | | | | | | | | |
| CH part name | 圆锥滚子轴承 | | | | | | | | | | | | | | | | | | | | | | | | | | | | | | |
| EN part name | Row-steep roller bearing | | | | | | | | | | | | | | | | | | | | | | | | | | | | | | |
| RU part name | Подшипник | | | | | | | | | | | | | | | | | | | | | | | | | | | | | | |
| Size: | 32313B | | | | | | | | | | | | | | | | | | | | | | | | | | | | | | |
| Weight:kg | 3.5 | | | | | | | | | | | | | | | | | | | | | | | | | | | | | | |
| NO. | NO.A67-6 | | | | | | | | | | | | | | | | | | | | | | | | | | | | | | |
| Remarks: SHACMAN F3000 F2000 X3000 M3000 8*4 6*4 MAN | | Remarks: SHACMAN F3000 F2000 X3000 M3000 8*4 6*4 MAN | | | | | | | | | | | | | | | | | | | | | | | | | | | | | |
|  | <table border="1"> <tr><td>Part No.</td><td>81.35199.6520</td></tr> <tr><td>CH part name</td><td>中桥锥齿轮副 18/27</td></tr> <tr><td>EN part name</td><td>Passive taper gear</td></tr> <tr><td>RU part name</td><td>пассивный сосуда лова</td></tr> <tr><td>Size:mm</td><td>300*310*25</td></tr> <tr><td>Weight:kg</td><td>30</td></tr> <tr><td>NO.</td><td>NO.A67-14-31</td></tr> </table> | Part No. | 81.35199.6520 | CH part name | 中桥锥齿轮副 18/27 | EN part name | Passive taper gear | RU part name | пассивный сосуда лова | Size:mm | 300*310*25 | Weight:kg | 30 | NO. | NO.A67-14-31 |  | <table border="1"> <tr><td>Part No.</td><td>81.91701.0349</td></tr> <tr><td>CH part name</td><td>间隔衬套</td></tr> <tr><td>EN part name</td><td>Space bush</td></tr> <tr><td>RU part name</td><td>пространство буша</td></tr> <tr><td>Size:mm</td><td></td></tr> <tr><td>Weight:kg</td><td>0.3</td></tr> <tr><td>NO.</td><td>NO.A67-9</td></tr> </table> | Part No. | 81.91701.0349 | CH part name | 间隔衬套 | EN part name | Space bush | RU part name | пространство буша | Size:mm | | Weight:kg | 0.3 | NO. | NO.A67-9 |
| Part No. | 81.35199.6520 | | | | | | | | | | | | | | | | | | | | | | | | | | | | | | |
| CH part name | 中桥锥齿轮副 18/27 | | | | | | | | | | | | | | | | | | | | | | | | | | | | | | |
| EN part name | Passive taper gear | | | | | | | | | | | | | | | | | | | | | | | | | | | | | | |
| RU part name | пассивный сосуда лова | | | | | | | | | | | | | | | | | | | | | | | | | | | | | | |
| Size:mm | 300*310*25 | | | | | | | | | | | | | | | | | | | | | | | | | | | | | | |
| Weight:kg | 30 | | | | | | | | | | | | | | | | | | | | | | | | | | | | | | |
| NO. | NO.A67-14-31 | | | | | | | | | | | | | | | | | | | | | | | | | | | | | | |
| Part No. | 81.91701.0349 | | | | | | | | | | | | | | | | | | | | | | | | | | | | | | |
| CH part name | 间隔衬套 | | | | | | | | | | | | | | | | | | | | | | | | | | | | | | |
| EN part name | Space bush | | | | | | | | | | | | | | | | | | | | | | | | | | | | | | |
| RU part name | пространство буша | | | | | | | | | | | | | | | | | | | | | | | | | | | | | | |
| Size:mm | | | | | | | | | | | | | | | | | | | | | | | | | | | | | | | |
| Weight:kg | 0.3 | | | | | | | | | | | | | | | | | | | | | | | | | | | | | | |
| NO. | NO.A67-9 | | | | | | | | | | | | | | | | | | | | | | | | | | | | | | |
| Remarks: SHACMAN F3000 F2000 X3000 M3000 8*4 6*4 MAN i=5.92 | | Remarks: SHACMAN F3000 F2000 X3000 M3000 8*4 6*4 MAN | | | | | | | | | | | | | | | | | | | | | | | | | | | | | |
|  | <table border="1"> <tr><td>Part No.</td><td>81.35107.6014</td></tr> <tr><td>CH part name</td><td>桥间差速器十字轴MAN</td></tr> <tr><td>EN part name</td><td>Cross axle</td></tr> <tr><td>RU part name</td><td>Крестовина</td></tr> <tr><td>Size:mm</td><td></td></tr> <tr><td>Weight:kg</td><td>1.85</td></tr> <tr><td>NO.</td><td>NO.A67-15</td></tr> </table> | Part No. | 81.35107.6014 | CH part name | 桥间差速器十字轴MAN | EN part name | Cross axle | RU part name | Крестовина | Size:mm | | Weight:kg | 1.85 | NO. | NO.A67-15 |  | <table border="1"> <tr><td>Part No.</td><td>06.32499.0082</td></tr> <tr><td>CH part name</td><td>圆锥滚子轴承</td></tr> <tr><td>EN part name</td><td>Row-steep roller bearing</td></tr> <tr><td>RU part name</td><td>Подшипник</td></tr> <tr><td>Size:</td><td>32314B</td></tr> <tr><td>Weight:kg</td><td>3.5</td></tr> <tr><td>NO.</td><td>NO.A67-11</td></tr> </table> | Part No. | 06.32499.0082 | CH part name | 圆锥滚子轴承 | EN part name | Row-steep roller bearing | RU part name | Подшипник | Size: | 32314B | Weight:kg | 3.5 | NO. | NO.A67-11 |
| Part No. | 81.35107.6014 | | | | | | | | | | | | | | | | | | | | | | | | | | | | | | |
| CH part name | 桥间差速器十字轴MAN | | | | | | | | | | | | | | | | | | | | | | | | | | | | | | |
| EN part name | Cross axle | | | | | | | | | | | | | | | | | | | | | | | | | | | | | | |
| RU part name | Крестовина | | | | | | | | | | | | | | | | | | | | | | | | | | | | | | |
| Size:mm | | | | | | | | | | | | | | | | | | | | | | | | | | | | | | | |
| Weight:kg | 1.85 | | | | | | | | | | | | | | | | | | | | | | | | | | | | | | |
| NO. | NO.A67-15 | | | | | | | | | | | | | | | | | | | | | | | | | | | | | | |
| Part No. | 06.32499.0082 | | | | | | | | | | | | | | | | | | | | | | | | | | | | | | |
| CH part name | 圆锥滚子轴承 | | | | | | | | | | | | | | | | | | | | | | | | | | | | | | |
| EN part name | Row-steep roller bearing | | | | | | | | | | | | | | | | | | | | | | | | | | | | | | |
| RU part name | Подшипник | | | | | | | | | | | | | | | | | | | | | | | | | | | | | | |
| Size: | 32314B | | | | | | | | | | | | | | | | | | | | | | | | | | | | | | |
| Weight:kg | 3.5 | | | | | | | | | | | | | | | | | | | | | | | | | | | | | | |
| NO. | NO.A67-11 | | | | | | | | | | | | | | | | | | | | | | | | | | | | | | |
| Remarks: SHACMAN F3000 F2000 X3000 M3000 8*4 6*4 MAN | | Remarks: SHACMAN F3000 F2000 X3000 M3000 8*4 6*4 MAN | | | | | | | | | | | | | | | | | | | | | | | | | | | | | |
|  | <table border="1"> <tr><td>Part No.</td><td>81.35106.0036</td></tr> <tr><td>CH part name</td><td>半轴齿轮</td></tr> <tr><td>EN part name</td><td>Drive shaft gear</td></tr> <tr><td>RU part name</td><td>Шестерня полуоси</td></tr> <tr><td>Size:mm</td><td>120*120*50</td></tr> <tr><td>Weight:kg</td><td>1.12</td></tr> <tr><td>NO.</td><td>NO.A67-16</td></tr> </table> | Part No. | 81.35106.0036 | CH part name | 半轴齿轮 | EN part name | Drive shaft gear | RU part name | Шестерня полуоси | Size:mm | 120*120*50 | Weight:kg | 1.12 | NO. | NO.A67-16 |  | <table border="1"> <tr><td>Part No.</td><td>F81.35100.6361</td></tr> <tr><td>CH part name</td><td>中后桥差速器分总成</td></tr> <tr><td>EN part name</td><td>Diff. Assy.</td></tr> <tr><td>RU part name</td><td>Дифференциал в сборе</td></tr> <tr><td>Size:mm</td><td>265*255*255</td></tr> <tr><td>Weight:kg</td><td>30</td></tr> <tr><td>NO.</td><td>NO.A67-18-28</td></tr> </table> | Part No. | F81.35100.6361 | CH part name | 中后桥差速器分总成 | EN part name | Diff. Assy. | RU part name | Дифференциал в сборе | Size:mm | 265*255*255 | Weight:kg | 30 | NO. | NO.A67-18-28 |
| Part No. | 81.35106.0036 | | | | | | | | | | | | | | | | | | | | | | | | | | | | | | |
| CH part name | 半轴齿轮 | | | | | | | | | | | | | | | | | | | | | | | | | | | | | | |
| EN part name | Drive shaft gear | | | | | | | | | | | | | | | | | | | | | | | | | | | | | | |
| RU part name | Шестерня полуоси | | | | | | | | | | | | | | | | | | | | | | | | | | | | | | |
| Size:mm | 120*120*50 | | | | | | | | | | | | | | | | | | | | | | | | | | | | | | |
| Weight:kg | 1.12 | | | | | | | | | | | | | | | | | | | | | | | | | | | | | | |
| NO. | NO.A67-16 | | | | | | | | | | | | | | | | | | | | | | | | | | | | | | |
| Part No. | F81.35100.6361 | | | | | | | | | | | | | | | | | | | | | | | | | | | | | | |
| CH part name | 中后桥差速器分总成 | | | | | | | | | | | | | | | | | | | | | | | | | | | | | | |
| EN part name | Diff. Assy. | | | | | | | | | | | | | | | | | | | | | | | | | | | | | | |
| RU part name | Дифференциал в сборе | | | | | | | | | | | | | | | | | | | | | | | | | | | | | | |
| Size:mm | 265*255*255 | | | | | | | | | | | | | | | | | | | | | | | | | | | | | | |
| Weight:kg | 30 | | | | | | | | | | | | | | | | | | | | | | | | | | | | | | |
| NO. | NO.A67-18-28 | | | | | | | | | | | | | | | | | | | | | | | | | | | | | | |
| Remarks: SHACMAN F3000 F2000 X3000 M3000 8*4 6*4 MAN | | Remarks: SHACMAN F3000 F2000 X3000 M3000 8*4 6*4 MAN | | | | | | | | | | | | | | | | | | | | | | | | | | | | | |

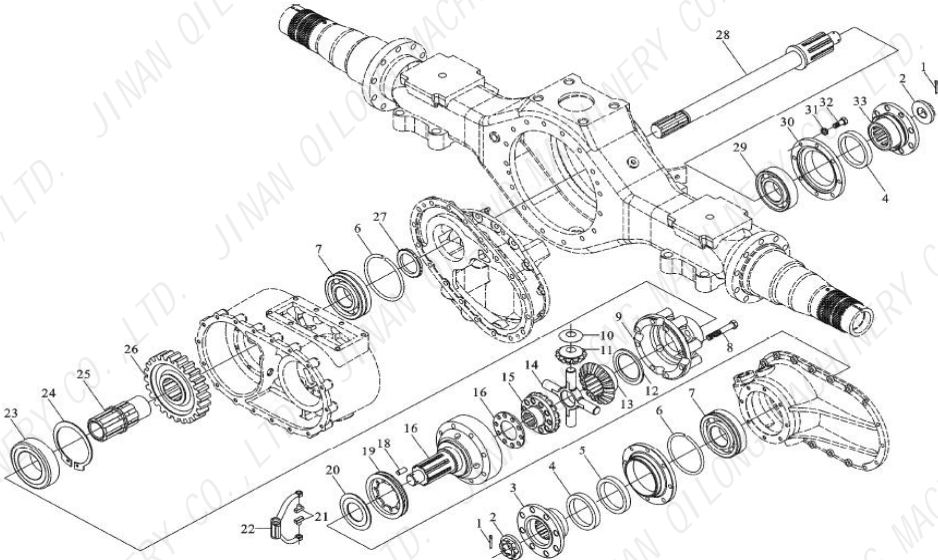





SHACMAN(1)

| | | | | | | | | | | | | | | | | | | | | | | | | | | | | | | | |
|---|---|--|---------------|--------------|--------|--------------|---------------------|--------------|--------------------------|---------|------------|-----------|------|-----|------------------|---|---|----------|---------------|--------------|---------|--------------|-------------------|--------------|-------------------------------|---------|-------------|-----------|------|-----|---------------------|
|  | <table border="1"> <tr><td>Part No.</td><td>06.32499.0040</td></tr> <tr><td>CH part name</td><td>差速器轴承</td></tr> <tr><td>EN part name</td><td>Bearing</td></tr> <tr><td>RU part name</td><td>Подшипник</td></tr> <tr><td>Size:mm</td><td></td></tr> <tr><td>Weight:kg</td><td>3.8</td></tr> <tr><td>NO.</td><td>NO.A67-19</td></tr> </table> | Part No. | 06.32499.0040 | CH part name | 差速器轴承 | EN part name | Bearing | RU part name | Подшипник | Size:mm | | Weight:kg | 3.8 | NO. | NO.A67-19 |  | <table border="1"> <tr><td>Part No.</td><td>81.35100.6361</td></tr> <tr><td>CH part name</td><td>中后桥差速器壳</td></tr> <tr><td>EN part name</td><td>Diff. assy.</td></tr> <tr><td>RU part name</td><td>Дифференциал в сборе</td></tr> <tr><td>Size:mm</td><td>265*255*255</td></tr> <tr><td>Weight:kg</td><td>13.5</td></tr> <tr><td>NO.</td><td>NO.A67-18-28</td></tr> </table> | Part No. | 81.35100.6361 | CH part name | 中后桥差速器壳 | EN part name | Diff. assy. | RU part name | Дифференциал в сборе | Size:mm | 265*255*255 | Weight:kg | 13.5 | NO. | NO.A67-18-28 |
| Part No. | 06.32499.0040 | | | | | | | | | | | | | | | | | | | | | | | | | | | | | | |
| CH part name | 差速器轴承 | | | | | | | | | | | | | | | | | | | | | | | | | | | | | | |
| EN part name | Bearing | | | | | | | | | | | | | | | | | | | | | | | | | | | | | | |
| RU part name | Подшипник | | | | | | | | | | | | | | | | | | | | | | | | | | | | | | |
| Size:mm | | | | | | | | | | | | | | | | | | | | | | | | | | | | | | | |
| Weight:kg | 3.8 | | | | | | | | | | | | | | | | | | | | | | | | | | | | | | |
| NO. | NO.A67-19 | | | | | | | | | | | | | | | | | | | | | | | | | | | | | | |
| Part No. | 81.35100.6361 | | | | | | | | | | | | | | | | | | | | | | | | | | | | | | |
| CH part name | 中后桥差速器壳 | | | | | | | | | | | | | | | | | | | | | | | | | | | | | | |
| EN part name | Diff. assy. | | | | | | | | | | | | | | | | | | | | | | | | | | | | | | |
| RU part name | Дифференциал в сборе | | | | | | | | | | | | | | | | | | | | | | | | | | | | | | |
| Size:mm | 265*255*255 | | | | | | | | | | | | | | | | | | | | | | | | | | | | | | |
| Weight:kg | 13.5 | | | | | | | | | | | | | | | | | | | | | | | | | | | | | | |
| NO. | NO.A67-18-28 | | | | | | | | | | | | | | | | | | | | | | | | | | | | | | |
| Remarks: SHACMAN F3000 F2000 X3000 M3000 8*4 6*4 MAN | | Remarks: SHACMAN F3000 F2000 X3000 M3000 8*4 6*4 MAN | | | | | | | | | | | | | | | | | | | | | | | | | | | | | |
|  | <table border="1"> <tr><td>Part No.</td><td>81.35202.0033</td></tr> <tr><td>CH part name</td><td>滑动齿合套</td></tr> <tr><td>EN part name</td><td>Sliding engage cowl</td></tr> <tr><td>RU part name</td><td>Подвижная зубчатая муфта</td></tr> <tr><td>Size:mm</td><td>120*120*60</td></tr> <tr><td>Weight:kg</td><td>1.65</td></tr> <tr><td>NO.</td><td>NO.A67-23</td></tr> </table> | Part No. | 81.35202.0033 | CH part name | 滑动齿合套 | EN part name | Sliding engage cowl | RU part name | Подвижная зубчатая муфта | Size:mm | 120*120*60 | Weight:kg | 1.65 | NO. | NO.A67-23 |  | <table border="1"> <tr><td>Part No.</td><td>81.35202.0034</td></tr> <tr><td>CH part name</td><td>固定齿合套</td></tr> <tr><td>EN part name</td><td>Fixed engage cowl</td></tr> <tr><td>RU part name</td><td>Неподвижная зубчатая муфта</td></tr> <tr><td>Size:mm</td><td></td></tr> <tr><td>Weight:kg</td><td>1.02</td></tr> <tr><td>NO.</td><td>NO.A67-24</td></tr> </table> | Part No. | 81.35202.0034 | CH part name | 固定齿合套 | EN part name | Fixed engage cowl | RU part name | Неподвижная зубчатая муфта | Size:mm | | Weight:kg | 1.02 | NO. | NO.A67-24 |
| Part No. | 81.35202.0033 | | | | | | | | | | | | | | | | | | | | | | | | | | | | | | |
| CH part name | 滑动齿合套 | | | | | | | | | | | | | | | | | | | | | | | | | | | | | | |
| EN part name | Sliding engage cowl | | | | | | | | | | | | | | | | | | | | | | | | | | | | | | |
| RU part name | Подвижная зубчатая муфта | | | | | | | | | | | | | | | | | | | | | | | | | | | | | | |
| Size:mm | 120*120*60 | | | | | | | | | | | | | | | | | | | | | | | | | | | | | | |
| Weight:kg | 1.65 | | | | | | | | | | | | | | | | | | | | | | | | | | | | | | |
| NO. | NO.A67-23 | | | | | | | | | | | | | | | | | | | | | | | | | | | | | | |
| Part No. | 81.35202.0034 | | | | | | | | | | | | | | | | | | | | | | | | | | | | | | |
| CH part name | 固定齿合套 | | | | | | | | | | | | | | | | | | | | | | | | | | | | | | |
| EN part name | Fixed engage cowl | | | | | | | | | | | | | | | | | | | | | | | | | | | | | | |
| RU part name | Неподвижная зубчатая муфта | | | | | | | | | | | | | | | | | | | | | | | | | | | | | | |
| Size:mm | | | | | | | | | | | | | | | | | | | | | | | | | | | | | | | |
| Weight:kg | 1.02 | | | | | | | | | | | | | | | | | | | | | | | | | | | | | | |
| NO. | NO.A67-24 | | | | | | | | | | | | | | | | | | | | | | | | | | | | | | |
| Remarks: SHACMAN F3000 F2000 X3000 M3000 8*4 6*4 MAN 81.35202.0036 | | Remarks: SHACMAN F3000 F2000 X3000 M3000 8*4 6*4 MAN | | | | | | | | | | | | | | | | | | | | | | | | | | | | | |
|  | <table border="1"> <tr><td>Part No.</td><td>81.35202.0027</td></tr> <tr><td>CH part name</td><td>滑动齿合套</td></tr> <tr><td>EN part name</td><td>Sliding engage cowl</td></tr> <tr><td>RU part name</td><td>Подвижная зубчатая муфта</td></tr> <tr><td>Size:mm</td><td></td></tr> <tr><td>Weight:kg</td><td>1.4</td></tr> <tr><td>NO.</td><td>NO.A67-23</td></tr> </table> | Part No. | 81.35202.0027 | CH part name | 滑动齿合套 | EN part name | Sliding engage cowl | RU part name | Подвижная зубчатая муфта | Size:mm | | Weight:kg | 1.4 | NO. | NO.A67-23 |  | <table border="1"> <tr><td>Part No.</td><td>81.35108.0059</td></tr> <tr><td>CH part name</td><td>行星齿轮</td></tr> <tr><td>EN part name</td><td>Planet gear</td></tr> <tr><td>RU part name</td><td>Сателлиты</td></tr> <tr><td>Size:mm</td><td>80*80*30</td></tr> <tr><td>Weight:kg</td><td>0.7</td></tr> <tr><td>NO.</td><td>NO.A67-40</td></tr> </table> | Part No. | 81.35108.0059 | CH part name | 行星齿轮 | EN part name | Planet gear | RU part name | Сателлиты | Size:mm | 80*80*30 | Weight:kg | 0.7 | NO. | NO.A67-40 |
| Part No. | 81.35202.0027 | | | | | | | | | | | | | | | | | | | | | | | | | | | | | | |
| CH part name | 滑动齿合套 | | | | | | | | | | | | | | | | | | | | | | | | | | | | | | |
| EN part name | Sliding engage cowl | | | | | | | | | | | | | | | | | | | | | | | | | | | | | | |
| RU part name | Подвижная зубчатая муфта | | | | | | | | | | | | | | | | | | | | | | | | | | | | | | |
| Size:mm | | | | | | | | | | | | | | | | | | | | | | | | | | | | | | | |
| Weight:kg | 1.4 | | | | | | | | | | | | | | | | | | | | | | | | | | | | | | |
| NO. | NO.A67-23 | | | | | | | | | | | | | | | | | | | | | | | | | | | | | | |
| Part No. | 81.35108.0059 | | | | | | | | | | | | | | | | | | | | | | | | | | | | | | |
| CH part name | 行星齿轮 | | | | | | | | | | | | | | | | | | | | | | | | | | | | | | |
| EN part name | Planet gear | | | | | | | | | | | | | | | | | | | | | | | | | | | | | | |
| RU part name | Сателлиты | | | | | | | | | | | | | | | | | | | | | | | | | | | | | | |
| Size:mm | 80*80*30 | | | | | | | | | | | | | | | | | | | | | | | | | | | | | | |
| Weight:kg | 0.7 | | | | | | | | | | | | | | | | | | | | | | | | | | | | | | |
| NO. | NO.A67-40 | | | | | | | | | | | | | | | | | | | | | | | | | | | | | | |
| Remarks: SHACMAN F3000 F2000 X3000 M3000 8*4 6*4 MAN | | Remarks: SHACMAN F3000 F2000 X3000 M3000 8*4 6*4 MAN | | | | | | | | | | | | | | | | | | | | | | | | | | | | | |
|  | <table border="1"> <tr><td>Part No.</td><td>81.90711.0535</td></tr> <tr><td>CH part name</td><td>行星齿轮垫片</td></tr> <tr><td>EN part name</td><td>Planet gear washer</td></tr> <tr><td>RU part name</td><td>Шайба сателлита</td></tr> <tr><td>Size:mm</td><td>80*80*1</td></tr> <tr><td>Weight:kg</td><td>0.01</td></tr> <tr><td>NO.</td><td>NO.A67-39</td></tr> </table> | Part No. | 81.90711.0535 | CH part name | 行星齿轮垫片 | EN part name | Planet gear washer | RU part name | Шайба сателлита | Size:mm | 80*80*1 | Weight:kg | 0.01 | NO. | NO.A67-39 |  | <table border="1"> <tr><td>Part No.</td><td>81.93020.0458</td></tr> <tr><td>CH part name</td><td>衬套</td></tr> <tr><td>EN part name</td><td>Camshaft bush</td></tr> <tr><td>RU part name</td><td>Втулка тормозного вала задняя</td></tr> <tr><td>Size:mm</td><td></td></tr> <tr><td>Weight:kg</td><td>0.04</td></tr> <tr><td>NO.</td><td>NO.A67-41</td></tr> </table> | Part No. | 81.93020.0458 | CH part name | 衬套 | EN part name | Camshaft bush | RU part name | Втулка тормозного вала задняя | Size:mm | | Weight:kg | 0.04 | NO. | NO.A67-41 |
| Part No. | 81.90711.0535 | | | | | | | | | | | | | | | | | | | | | | | | | | | | | | |
| CH part name | 行星齿轮垫片 | | | | | | | | | | | | | | | | | | | | | | | | | | | | | | |
| EN part name | Planet gear washer | | | | | | | | | | | | | | | | | | | | | | | | | | | | | | |
| RU part name | Шайба сателлита | | | | | | | | | | | | | | | | | | | | | | | | | | | | | | |
| Size:mm | 80*80*1 | | | | | | | | | | | | | | | | | | | | | | | | | | | | | | |
| Weight:kg | 0.01 | | | | | | | | | | | | | | | | | | | | | | | | | | | | | | |
| NO. | NO.A67-39 | | | | | | | | | | | | | | | | | | | | | | | | | | | | | | |
| Part No. | 81.93020.0458 | | | | | | | | | | | | | | | | | | | | | | | | | | | | | | |
| CH part name | 衬套 | | | | | | | | | | | | | | | | | | | | | | | | | | | | | | |
| EN part name | Camshaft bush | | | | | | | | | | | | | | | | | | | | | | | | | | | | | | |
| RU part name | Втулка тормозного вала задняя | | | | | | | | | | | | | | | | | | | | | | | | | | | | | | |
| Size:mm | | | | | | | | | | | | | | | | | | | | | | | | | | | | | | | |
| Weight:kg | 0.04 | | | | | | | | | | | | | | | | | | | | | | | | | | | | | | |
| NO. | NO.A67-41 | | | | | | | | | | | | | | | | | | | | | | | | | | | | | | |
| Remarks: SHACMAN F3000 F2000 X3000 M3000 8*4 6*4 MAN | | Remarks: SHACMAN F3000 F2000 X3000 M3000 8*4 6*4 MAN | | | | | | | | | | | | | | | | | | | | | | | | | | | | | |

SHACMAN(1)

| | | | | | | | | | | | | | | | | | | | | | | | | | | | | | | | |
|---|---|--|----------------|--------------|---------|--------------|------------------------------|--------------|------------------------|---------|-------------|-----------|------|-----|-------------------|---|--|----------|--------------|--------------|-----------|--------------|---------------------|--------------|------------------|---------|------------|-----------|------|-----|-----------------|
|  | <table border="1"> <tr><td>Part No.</td><td>81.35613.0043</td></tr> <tr><td>CH part name</td><td>半轴齿轮垫片</td></tr> <tr><td>EN part name</td><td>Axle shaft gear washer</td></tr> <tr><td>RU part name</td><td>Шайба шестерни полуоси</td></tr> <tr><td>Size:mm</td><td>110*110*3</td></tr> <tr><td>Weight:kg</td><td>0.02</td></tr> <tr><td>NO.</td><td>NO.A67-17</td></tr> </table> | Part No. | 81.35613.0043 | CH part name | 半轴齿轮垫片 | EN part name | Axle shaft gear washer | RU part name | Шайба шестерни полуоси | Size:mm | 110*110*3 | Weight:kg | 0.02 | NO. | NO.A67-17 |  | <table border="1"> <tr><td>Part No.</td><td>199014320053</td></tr> <tr><td>CH part name</td><td>轴间差速器拨叉</td></tr> <tr><td>EN part name</td><td>Fork activity block</td></tr> <tr><td>RU part name</td><td>Вилка</td></tr> <tr><td>Size:mm</td><td>155*110*34</td></tr> <tr><td>Weight:kg</td><td>0.4</td></tr> <tr><td>NO.</td><td>NO.68-22</td></tr> </table> | Part No. | 199014320053 | CH part name | 轴间差速器拨叉 | EN part name | Fork activity block | RU part name | Вилка | Size:mm | 155*110*34 | Weight:kg | 0.4 | NO. | NO.68-22 |
| Part No. | 81.35613.0043 | | | | | | | | | | | | | | | | | | | | | | | | | | | | | | |
| CH part name | 半轴齿轮垫片 | | | | | | | | | | | | | | | | | | | | | | | | | | | | | | |
| EN part name | Axle shaft gear washer | | | | | | | | | | | | | | | | | | | | | | | | | | | | | | |
| RU part name | Шайба шестерни полуоси | | | | | | | | | | | | | | | | | | | | | | | | | | | | | | |
| Size:mm | 110*110*3 | | | | | | | | | | | | | | | | | | | | | | | | | | | | | | |
| Weight:kg | 0.02 | | | | | | | | | | | | | | | | | | | | | | | | | | | | | | |
| NO. | NO.A67-17 | | | | | | | | | | | | | | | | | | | | | | | | | | | | | | |
| Part No. | 199014320053 | | | | | | | | | | | | | | | | | | | | | | | | | | | | | | |
| CH part name | 轴间差速器拨叉 | | | | | | | | | | | | | | | | | | | | | | | | | | | | | | |
| EN part name | Fork activity block | | | | | | | | | | | | | | | | | | | | | | | | | | | | | | |
| RU part name | Вилка | | | | | | | | | | | | | | | | | | | | | | | | | | | | | | |
| Size:mm | 155*110*34 | | | | | | | | | | | | | | | | | | | | | | | | | | | | | | |
| Weight:kg | 0.4 | | | | | | | | | | | | | | | | | | | | | | | | | | | | | | |
| NO. | NO.68-22 | | | | | | | | | | | | | | | | | | | | | | | | | | | | | | |
| Remarks: SHACMAN F3000 F2000 X3000 M3000 8*4 6*4 MAN | | Remarks: SHACMAN F3000 F2000 X3000 M3000 8*4 6*4 STEYR | | | | | | | | | | | | | | | | | | | | | | | | | | | | | |
|  | <table border="1"> <tr><td>Part No.</td><td>DZ9114320650</td></tr> <tr><td>CH part name</td><td>贯通轴 28N</td></tr> <tr><td>EN part name</td><td>Perforation shaft</td></tr> <tr><td>RU part name</td><td>Проходной вал</td></tr> <tr><td>Size:mm</td><td>681*70</td></tr> <tr><td>Weight:kg</td><td>8.4</td></tr> <tr><td>NO.</td><td>NO.68-28</td></tr> </table> | Part No. | DZ9114320650 | CH part name | 贯通轴 28N | EN part name | Perforation shaft | RU part name | Проходной вал | Size:mm | 681*70 | Weight:kg | 8.4 | NO. | NO.68-28 |  | <table border="1"> <tr><td>Part No.</td><td>199014320136</td></tr> <tr><td>CH part name</td><td>主动圆柱齿轮</td></tr> <tr><td>EN part name</td><td>Passive column gear</td></tr> <tr><td>RU part name</td><td>Ведомая шестерня</td></tr> <tr><td>Size:mm</td><td>205*205*45</td></tr> <tr><td>Weight:kg</td><td>4.76</td></tr> <tr><td>NO.</td><td>NO.68-26</td></tr> </table> | Part No. | 199014320136 | CH part name | 主动圆柱齿轮 | EN part name | Passive column gear | RU part name | Ведомая шестерня | Size:mm | 205*205*45 | Weight:kg | 4.76 | NO. | NO.68-26 |
| Part No. | DZ9114320650 | | | | | | | | | | | | | | | | | | | | | | | | | | | | | | |
| CH part name | 贯通轴 28N | | | | | | | | | | | | | | | | | | | | | | | | | | | | | | |
| EN part name | Perforation shaft | | | | | | | | | | | | | | | | | | | | | | | | | | | | | | |
| RU part name | Проходной вал | | | | | | | | | | | | | | | | | | | | | | | | | | | | | | |
| Size:mm | 681*70 | | | | | | | | | | | | | | | | | | | | | | | | | | | | | | |
| Weight:kg | 8.4 | | | | | | | | | | | | | | | | | | | | | | | | | | | | | | |
| NO. | NO.68-28 | | | | | | | | | | | | | | | | | | | | | | | | | | | | | | |
| Part No. | 199014320136 | | | | | | | | | | | | | | | | | | | | | | | | | | | | | | |
| CH part name | 主动圆柱齿轮 | | | | | | | | | | | | | | | | | | | | | | | | | | | | | | |
| EN part name | Passive column gear | | | | | | | | | | | | | | | | | | | | | | | | | | | | | | |
| RU part name | Ведомая шестерня | | | | | | | | | | | | | | | | | | | | | | | | | | | | | | |
| Size:mm | 205*205*45 | | | | | | | | | | | | | | | | | | | | | | | | | | | | | | |
| Weight:kg | 4.76 | | | | | | | | | | | | | | | | | | | | | | | | | | | | | | |
| NO. | NO.68-26 | | | | | | | | | | | | | | | | | | | | | | | | | | | | | | |
| Remarks: SHACMAN F3000 F2000 X3000 M3000 8*4 6*4 STEYR | | Remarks: SHACMAN F3000 F2000 X3000 M3000 8*4 6*4 STEYR | | | | | | | | | | | | | | | | | | | | | | | | | | | | | |
|  | <table border="1"> <tr><td>Part No.</td><td>F199014320166</td></tr> <tr><td>CH part name</td><td>轴间差速器总成</td></tr> <tr><td>EN part name</td><td>Shaft differential assembly.</td></tr> <tr><td>RU part name</td><td>Дифференциал в сборе</td></tr> <tr><td>Size:mm</td><td>345*200*200</td></tr> <tr><td>Weight:kg</td><td>20.9</td></tr> <tr><td>NO.</td><td>NO.68-9-17</td></tr> </table> | Part No. | F199014320166 | CH part name | 轴间差速器总成 | EN part name | Shaft differential assembly. | RU part name | Дифференциал в сборе | Size:mm | 345*200*200 | Weight:kg | 20.9 | NO. | NO.68-9-17 |  | <table border="1"> <tr><td>Part No.</td><td>6019Z</td></tr> <tr><td>CH part name</td><td>带防尘盖深沟球轴承</td></tr> <tr><td>EN part name</td><td>Bearing</td></tr> <tr><td>RU part name</td><td>Подшипник</td></tr> <tr><td>Size:mm</td><td>130*60*31</td></tr> <tr><td>Weight:kg</td><td>1.15</td></tr> <tr><td>NO.</td><td>NO.68-23</td></tr> </table> | Part No. | 6019Z | CH part name | 带防尘盖深沟球轴承 | EN part name | Bearing | RU part name | Подшипник | Size:mm | 130*60*31 | Weight:kg | 1.15 | NO. | NO.68-23 |
| Part No. | F199014320166 | | | | | | | | | | | | | | | | | | | | | | | | | | | | | | |
| CH part name | 轴间差速器总成 | | | | | | | | | | | | | | | | | | | | | | | | | | | | | | |
| EN part name | Shaft differential assembly. | | | | | | | | | | | | | | | | | | | | | | | | | | | | | | |
| RU part name | Дифференциал в сборе | | | | | | | | | | | | | | | | | | | | | | | | | | | | | | |
| Size:mm | 345*200*200 | | | | | | | | | | | | | | | | | | | | | | | | | | | | | | |
| Weight:kg | 20.9 | | | | | | | | | | | | | | | | | | | | | | | | | | | | | | |
| NO. | NO.68-9-17 | | | | | | | | | | | | | | | | | | | | | | | | | | | | | | |
| Part No. | 6019Z | | | | | | | | | | | | | | | | | | | | | | | | | | | | | | |
| CH part name | 带防尘盖深沟球轴承 | | | | | | | | | | | | | | | | | | | | | | | | | | | | | | |
| EN part name | Bearing | | | | | | | | | | | | | | | | | | | | | | | | | | | | | | |
| RU part name | Подшипник | | | | | | | | | | | | | | | | | | | | | | | | | | | | | | |
| Size:mm | 130*60*31 | | | | | | | | | | | | | | | | | | | | | | | | | | | | | | |
| Weight:kg | 1.15 | | | | | | | | | | | | | | | | | | | | | | | | | | | | | | |
| NO. | NO.68-23 | | | | | | | | | | | | | | | | | | | | | | | | | | | | | | |
| Remarks: SHACMAN F3000 F2000 X3000 M3000 8*4 6*4 HDSTR | | Remarks: SHACMAN F3000 F2000 X3000 M3000 8*4 6*4 MAN | | | | | | | | | | | | | | | | | | | | | | | | | | | | | |
|  | <table border="1"> <tr><td>Part No.</td><td>HD91129320050Z</td></tr> <tr><td>CH part name</td><td>轴间差速器总成</td></tr> <tr><td>EN part name</td><td>Shaft differential assembly.</td></tr> <tr><td>RU part name</td><td>Дифференциал в сборе</td></tr> <tr><td>Size:mm</td><td>345*200*200</td></tr> <tr><td>Weight:kg</td><td>20.9</td></tr> <tr><td>NO.</td><td>NO.68-9-17</td></tr> </table> | Part No. | HD91129320050Z | CH part name | 轴间差速器总成 | EN part name | Shaft differential assembly. | RU part name | Дифференциал в сборе | Size:mm | 345*200*200 | Weight:kg | 20.9 | NO. | NO.68-9-17 |  | <table border="1"> <tr><td>Part No.</td><td>6312N</td></tr> <tr><td>CH part name</td><td>止动槽的向心球轴承</td></tr> <tr><td>EN part name</td><td>Bearing</td></tr> <tr><td>RU part name</td><td>Подшипник</td></tr> <tr><td>Size:mm</td><td>130*60*31</td></tr> <tr><td>Weight:kg</td><td>1.68</td></tr> <tr><td>NO.</td><td>NO.68-7</td></tr> </table> | Part No. | 6312N | CH part name | 止动槽的向心球轴承 | EN part name | Bearing | RU part name | Подшипник | Size:mm | 130*60*31 | Weight:kg | 1.68 | NO. | NO.68-7 |
| Part No. | HD91129320050Z | | | | | | | | | | | | | | | | | | | | | | | | | | | | | | |
| CH part name | 轴间差速器总成 | | | | | | | | | | | | | | | | | | | | | | | | | | | | | | |
| EN part name | Shaft differential assembly. | | | | | | | | | | | | | | | | | | | | | | | | | | | | | | |
| RU part name | Дифференциал в сборе | | | | | | | | | | | | | | | | | | | | | | | | | | | | | | |
| Size:mm | 345*200*200 | | | | | | | | | | | | | | | | | | | | | | | | | | | | | | |
| Weight:kg | 20.9 | | | | | | | | | | | | | | | | | | | | | | | | | | | | | | |
| NO. | NO.68-9-17 | | | | | | | | | | | | | | | | | | | | | | | | | | | | | | |
| Part No. | 6312N | | | | | | | | | | | | | | | | | | | | | | | | | | | | | | |
| CH part name | 止动槽的向心球轴承 | | | | | | | | | | | | | | | | | | | | | | | | | | | | | | |
| EN part name | Bearing | | | | | | | | | | | | | | | | | | | | | | | | | | | | | | |
| RU part name | Подшипник | | | | | | | | | | | | | | | | | | | | | | | | | | | | | | |
| Size:mm | 130*60*31 | | | | | | | | | | | | | | | | | | | | | | | | | | | | | | |
| Weight:kg | 1.68 | | | | | | | | | | | | | | | | | | | | | | | | | | | | | | |
| NO. | NO.68-7 | | | | | | | | | | | | | | | | | | | | | | | | | | | | | | |
| Remarks: SHACMAN F3000 F2000 X3000 M3000 8*4 6*4 HDSTR | | Remarks: SHACMAN F3000 F2000 X3000 M3000 8*4 6*4 HDSTR | | | | | | | | | | | | | | | | | | | | | | | | | | | | | |

SHACMAN(1)

| MIDDLE AXLE DRIVING DEVICE I | | NO.68 HDS300 | | | | | | | | | | | | | | | |
|---|---------------------------------|--|---|---------------|--------------|--------------|--------------|--------------|-------------------|----------------------|----------------------|-------------|-------------|-----------|------|-------------------|-------------------|
|  | | KD1313 | | | | | | | | | | | | | | | |
| | |  | <table border="1"> <tr><td>Part No.</td><td>DZ9114320706</td></tr> <tr><td>CH part name</td><td>轴间差速器壳</td></tr> <tr><td>EN part name</td><td>Diff. assy.</td></tr> <tr><td>RU part name</td><td>Дифференциал в сборе</td></tr> <tr><td>Size:mm</td><td>345*200*200</td></tr> <tr><td>Weight:kg</td><td>12.5</td></tr> <tr><td>NO.</td><td>NO.68-9-17</td></tr> </table> | Part No. | DZ9114320706 | CH part name | 轴间差速器壳 | EN part name | Diff. assy. | RU part name | Дифференциал в сборе | Size:mm | 345*200*200 | Weight:kg | 12.5 | NO. | NO.68-9-17 |
| Part No. | DZ9114320706 | | | | | | | | | | | | | | | | |
| CH part name | 轴间差速器壳 | | | | | | | | | | | | | | | | |
| EN part name | Diff. assy. | | | | | | | | | | | | | | | | |
| RU part name | Дифференциал в сборе | | | | | | | | | | | | | | | | |
| Size:mm | 345*200*200 | | | | | | | | | | | | | | | | |
| Weight:kg | 12.5 | | | | | | | | | | | | | | | | |
| NO. | NO.68-9-17 | | | | | | | | | | | | | | | | |
| | | Remarks: SHACMAN F3000 F2000 X3000 M3000 8*4 6*4 HDSTR | | | | | | | | | | | | | | | |
|  | | KD1314 | | | | | | | | | | | | | | | |
| | | <table border="1"> <tr><td>Part No.</td><td>HD91129320050</td></tr> <tr><td>CH part name</td><td>轴间差速器壳</td></tr> <tr><td>EN part name</td><td>Diff. assy.</td></tr> <tr><td>RU part name</td><td>Дифференциал в сборе</td></tr> <tr><td>Size:mm</td><td>345*200*200</td></tr> <tr><td>Weight:kg</td><td>12.5</td></tr> <tr><td>NO.</td><td>NO.68-9-17</td></tr> </table> | Part No. | HD91129320050 | CH part name | 轴间差速器壳 | EN part name | Diff. assy. | RU part name | Дифференциал в сборе | Size:mm | 345*200*200 | Weight:kg | 12.5 | NO. | NO.68-9-17 | |
| Part No. | HD91129320050 | | | | | | | | | | | | | | | | |
| CH part name | 轴间差速器壳 | | | | | | | | | | | | | | | | |
| EN part name | Diff. assy. | | | | | | | | | | | | | | | | |
| RU part name | Дифференциал в сборе | | | | | | | | | | | | | | | | |
| Size:mm | 345*200*200 | | | | | | | | | | | | | | | | |
| Weight:kg | 12.5 | | | | | | | | | | | | | | | | |
| NO. | NO.68-9-17 | | | | | | | | | | | | | | | | |
| | | Remarks: SHACMAN F3000 F2000 X3000 M3000 8*4 6*4 HDSTR | | | | | | | | | | | | | | | |
| KD1315 | | KD1316 | | | | | | | | | | | | | | | |
|  | Part No. | 199014320061 | <table border="1"> <tr><td>Part No.</td><td>199014320135</td></tr> <tr><td>CH part name</td><td>空心花键轴</td></tr> <tr><td>EN part name</td><td>Hollow shaft</td></tr> <tr><td>RU part name</td><td>Вал полый</td></tr> <tr><td>Size:mm</td><td>165*65*65</td></tr> <tr><td>Weight:kg</td><td>1.9</td></tr> <tr><td>NO.</td><td>NO.68-25</td></tr> </table> | Part No. | 199014320135 | CH part name | 空心花键轴 | EN part name | Hollow shaft | RU part name | Вал полый | Size:mm | 165*65*65 | Weight:kg | 1.9 | NO. | NO.68-25 |
| | Part No. | 199014320135 | | | | | | | | | | | | | | | |
| | CH part name | 空心花键轴 | | | | | | | | | | | | | | | |
| | EN part name | Hollow shaft | | | | | | | | | | | | | | | |
| | RU part name | Вал полый | | | | | | | | | | | | | | | |
| | Size:mm | 165*65*65 | | | | | | | | | | | | | | | |
| | Weight:kg | 1.9 | | | | | | | | | | | | | | | |
| NO. | NO.68-25 | | | | | | | | | | | | | | | | |
| CH part name | 轴间差速锁垫片 | | | | | | | | | | | | | | | | |
| EN part name | Differential lock ring | | | | | | | | | | | | | | | | |
| RU part name | дифференцированный замок кольцо | | | | | | | | | | | | | | | | |
| Size:mm | 110*110*2 | | | | | | | | | | | | | | | | |
| Weight:kg | 0.1 | | | | | | | | | | | | | | | | |
| NO. | NO.68-20 | | | | | | | | | | | | | | | | |
| Remarks: SHACMAN F3000 F2000 X3000 M3000 8*4 6*4 HDSTR | | Remarks: SHACMAN F3000 F2000 X3000 M3000 8*4 6*4 HDSTR | | | | | | | | | | | | | | | |
| KD1317 | | KD1318 | | | | | | | | | | | | | | | |
|  | Part No. | DZ9114320136 | <table border="1"> <tr><td>Part No.</td><td>199114320031</td></tr> <tr><td>CH part name</td><td>贯通轴</td></tr> <tr><td>EN part name</td><td>Perforation shaft</td></tr> <tr><td>RU part name</td><td>Проходной вал</td></tr> <tr><td>Size:mm</td><td>685*70</td></tr> <tr><td>Weight:kg</td><td>8.15</td></tr> <tr><td>NO.</td><td>NO.68-28</td></tr> </table> | Part No. | 199114320031 | CH part name | 贯通轴 | EN part name | Perforation shaft | RU part name | Проходной вал | Size:mm | 685*70 | Weight:kg | 8.15 | NO. | NO.68-28 |
| | Part No. | 199114320031 | | | | | | | | | | | | | | | |
| | CH part name | 贯通轴 | | | | | | | | | | | | | | | |
| | EN part name | Perforation shaft | | | | | | | | | | | | | | | |
| | RU part name | Проходной вал | | | | | | | | | | | | | | | |
| | Size:mm | 685*70 | | | | | | | | | | | | | | | |
| | Weight:kg | 8.15 | | | | | | | | | | | | | | | |
| NO. | NO.68-28 | | | | | | | | | | | | | | | | |
| CH part name | 轴间差速器锁环 | | | | | | | | | | | | | | | | |
| EN part name | Differential lock | | | | | | | | | | | | | | | | |
| RU part name | дифференцированный замок | | | | | | | | | | | | | | | | |
| Size:mm | 125*125*20 | | | | | | | | | | | | | | | | |
| Weight:kg | 0.5 | | | | | | | | | | | | | | | | |
| NO. | NO.68-19 | | | | | | | | | | | | | | | | |
| Remarks: SHACMAN F3000 F2000 X3000 M3000 8*4 6*4 HDSTR | | Remarks: SHACMAN F3000 F2000 X3000 M3000 8*4 6*4 HDSTR | | | | | | | | | | | | | | | |
| | |  | | | | | | | | | | | | | | | |

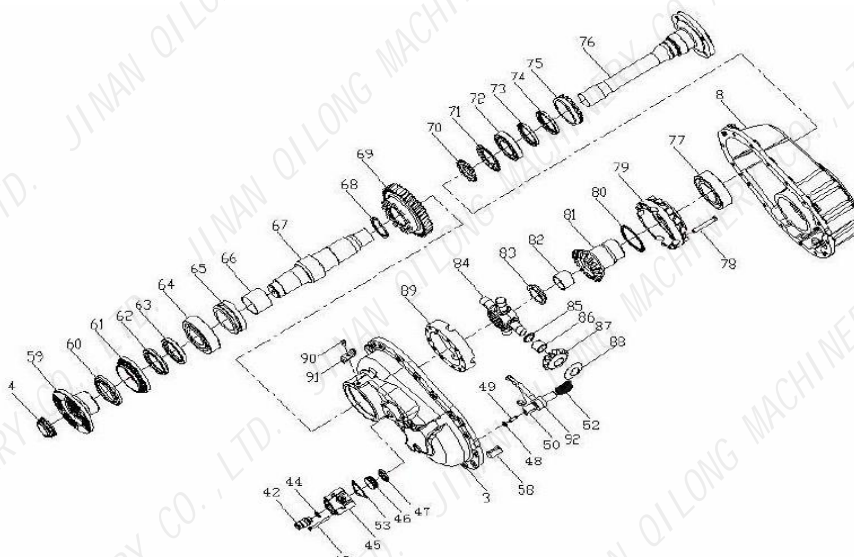

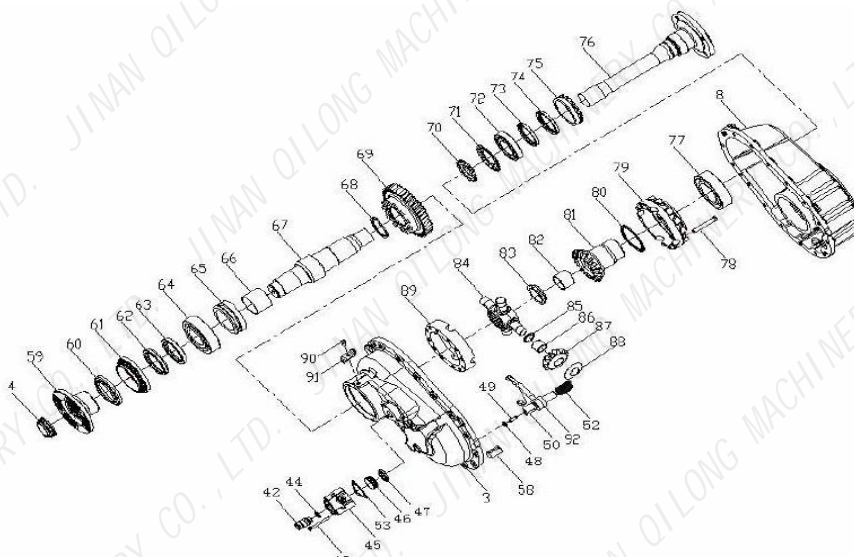





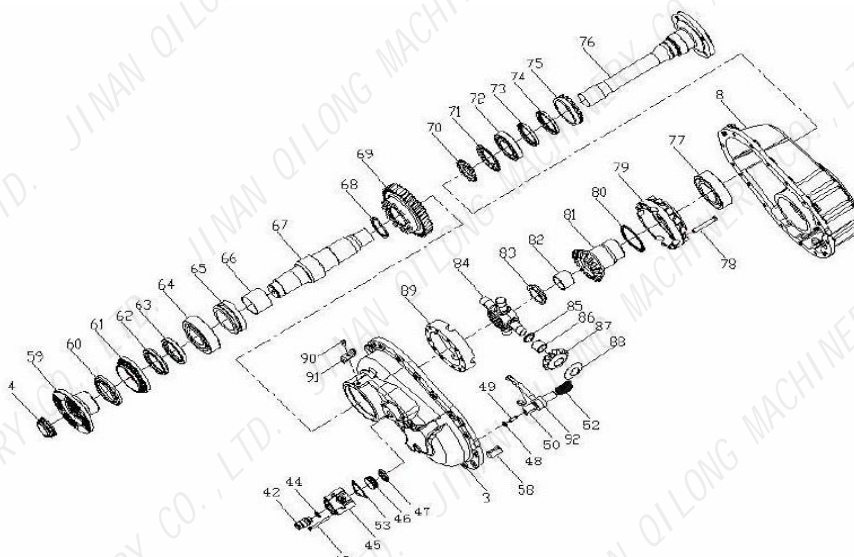

SHACMAN(1)

| | | | | | | | | | | | | | | | | | | | | | | | | | | | | | | | |
|---|---|--|--------------|--------------|------------|--------------|-------------------------------|--------------|--------------------------------|---------|------------|-----------|-------|-----|-----------------|---|---|----------|--------------|--------------|---------|--------------|-------------------------|--------------|---------------------------------------|---------|------------|-----------|-------|-----|-----------------|
|  | <table border="1"> <tr><td>Part No.</td><td>199014320067</td></tr> <tr><td>CH part name</td><td>轴间差速器前垫片</td></tr> <tr><td>EN part name</td><td>Axle shaft gear washer(front)</td></tr> <tr><td>RU part name</td><td>Шайба шестерни ведущей полуоси</td></tr> <tr><td>Size:mm</td><td>110*110*3</td></tr> <tr><td>Weight:kg</td><td>0.15</td></tr> <tr><td>NO.</td><td>NO.68-16</td></tr> </table> | Part No. | 199014320067 | CH part name | 轴间差速器前垫片 | EN part name | Axle shaft gear washer(front) | RU part name | Шайба шестерни ведущей полуоси | Size:mm | 110*110*3 | Weight:kg | 0.15 | NO. | NO.68-16 |  | <table border="1"> <tr><td>Part No.</td><td>DZ9114320138</td></tr> <tr><td>CH part name</td><td>贯通轴 28N</td></tr> <tr><td>EN part name</td><td>Perforation shaft</td></tr> <tr><td>RU part name</td><td>Проходной вал</td></tr> <tr><td>Size:mm</td><td>685*70</td></tr> <tr><td>Weight:kg</td><td>8.4</td></tr> <tr><td>NO.</td><td>NO.68-28</td></tr> </table> | Part No. | DZ9114320138 | CH part name | 贯通轴 28N | EN part name | Perforation shaft | RU part name | Проходной вал | Size:mm | 685*70 | Weight:kg | 8.4 | NO. | NO.68-28 |
| Part No. | 199014320067 | | | | | | | | | | | | | | | | | | | | | | | | | | | | | | |
| CH part name | 轴间差速器前垫片 | | | | | | | | | | | | | | | | | | | | | | | | | | | | | | |
| EN part name | Axle shaft gear washer(front) | | | | | | | | | | | | | | | | | | | | | | | | | | | | | | |
| RU part name | Шайба шестерни ведущей полуоси | | | | | | | | | | | | | | | | | | | | | | | | | | | | | | |
| Size:mm | 110*110*3 | | | | | | | | | | | | | | | | | | | | | | | | | | | | | | |
| Weight:kg | 0.15 | | | | | | | | | | | | | | | | | | | | | | | | | | | | | | |
| NO. | NO.68-16 | | | | | | | | | | | | | | | | | | | | | | | | | | | | | | |
| Part No. | DZ9114320138 | | | | | | | | | | | | | | | | | | | | | | | | | | | | | | |
| CH part name | 贯通轴 28N | | | | | | | | | | | | | | | | | | | | | | | | | | | | | | |
| EN part name | Perforation shaft | | | | | | | | | | | | | | | | | | | | | | | | | | | | | | |
| RU part name | Проходной вал | | | | | | | | | | | | | | | | | | | | | | | | | | | | | | |
| Size:mm | 685*70 | | | | | | | | | | | | | | | | | | | | | | | | | | | | | | |
| Weight:kg | 8.4 | | | | | | | | | | | | | | | | | | | | | | | | | | | | | | |
| NO. | NO.68-28 | | | | | | | | | | | | | | | | | | | | | | | | | | | | | | |
| Remarks: SHACMAN F3000 F2000 X3000 M3000 8*4 6*4 STEYR | | Remarks: SHACMAN F3000 F2000 X3000 M3000 8*4 6*4 STEYR | | | | | | | | | | | | | | | | | | | | | | | | | | | | | |
|  | <table border="1"> <tr><td>Part No.</td><td>199014320071</td></tr> <tr><td>CH part name</td><td>轴间差速器后垫片</td></tr> <tr><td>EN part name</td><td>Axle shaft gear washer(rear)</td></tr> <tr><td>RU part name</td><td>Шайба шестерни полуоси</td></tr> <tr><td>Size:mm</td><td>110*110*3</td></tr> <tr><td>Weight:kg</td><td>0.08</td></tr> <tr><td>NO.</td><td>NO.68-12</td></tr> </table> | Part No. | 199014320071 | CH part name | 轴间差速器后垫片 | EN part name | Axle shaft gear washer(rear) | RU part name | Шайба шестерни полуоси | Size:mm | 110*110*3 | Weight:kg | 0.08 | NO. | NO.68-12 |  | <table border="1"> <tr><td>Part No.</td><td>6212N</td></tr> <tr><td>CH part name</td><td>贯通轴轴承</td></tr> <tr><td>EN part name</td><td>Deep chase ring bearing</td></tr> <tr><td>RU part name</td><td>Подшипник</td></tr> <tr><td>Size:mm</td><td>130*60*31</td></tr> <tr><td>Weight:kg</td><td>1.65</td></tr> <tr><td>NO.</td><td>NO.68-29</td></tr> </table> | Part No. | 6212N | CH part name | 贯通轴轴承 | EN part name | Deep chase ring bearing | RU part name | Подшипник | Size:mm | 130*60*31 | Weight:kg | 1.65 | NO. | NO.68-29 |
| Part No. | 199014320071 | | | | | | | | | | | | | | | | | | | | | | | | | | | | | | |
| CH part name | 轴间差速器后垫片 | | | | | | | | | | | | | | | | | | | | | | | | | | | | | | |
| EN part name | Axle shaft gear washer(rear) | | | | | | | | | | | | | | | | | | | | | | | | | | | | | | |
| RU part name | Шайба шестерни полуоси | | | | | | | | | | | | | | | | | | | | | | | | | | | | | | |
| Size:mm | 110*110*3 | | | | | | | | | | | | | | | | | | | | | | | | | | | | | | |
| Weight:kg | 0.08 | | | | | | | | | | | | | | | | | | | | | | | | | | | | | | |
| NO. | NO.68-12 | | | | | | | | | | | | | | | | | | | | | | | | | | | | | | |
| Part No. | 6212N | | | | | | | | | | | | | | | | | | | | | | | | | | | | | | |
| CH part name | 贯通轴轴承 | | | | | | | | | | | | | | | | | | | | | | | | | | | | | | |
| EN part name | Deep chase ring bearing | | | | | | | | | | | | | | | | | | | | | | | | | | | | | | |
| RU part name | Подшипник | | | | | | | | | | | | | | | | | | | | | | | | | | | | | | |
| Size:mm | 130*60*31 | | | | | | | | | | | | | | | | | | | | | | | | | | | | | | |
| Weight:kg | 1.65 | | | | | | | | | | | | | | | | | | | | | | | | | | | | | | |
| NO. | NO.68-29 | | | | | | | | | | | | | | | | | | | | | | | | | | | | | | |
| Remarks: SHACMAN F3000 F2000 X3000 M3000 8*4 6*4 STEYR | | Remarks: SHACMAN F3000 F2000 X3000 M3000 8*4 6*4 STEYR | | | | | | | | | | | | | | | | | | | | | | | | | | | | | |
|  | <table border="1"> <tr><td>Part No.</td><td>DZ9114320137</td></tr> <tr><td>CH part name</td><td>轴间半轴齿轮 (前)</td></tr> <tr><td>EN part name</td><td>Drive shaft (front)</td></tr> <tr><td>RU part name</td><td>Шестерня полуоси</td></tr> <tr><td>Size:mm</td><td>119*119*40</td></tr> <tr><td>Weight:kg</td><td>1.82</td></tr> <tr><td>NO.</td><td>NO.68-15</td></tr> </table> | Part No. | DZ9114320137 | CH part name | 轴间半轴齿轮 (前) | EN part name | Drive shaft (front) | RU part name | Шестерня полуоси | Size:mm | 119*119*40 | Weight:kg | 1.82 | NO. | NO.68-15 |  | <table border="1"> <tr><td>Part No.</td><td>1228320106</td></tr> <tr><td>CH part name</td><td>差速锁销</td></tr> <tr><td>EN part name</td><td>Differential lock pin</td></tr> <tr><td>RU part name</td><td>Дифференциальная контактов блокировки</td></tr> <tr><td>Size:mm</td><td>43*12</td></tr> <tr><td>Weight:kg</td><td>0.036</td></tr> <tr><td>NO.</td><td>NO.68-18</td></tr> </table> | Part No. | 1228320106 | CH part name | 差速锁销 | EN part name | Differential lock pin | RU part name | Дифференциальная контактов блокировки | Size:mm | 43*12 | Weight:kg | 0.036 | NO. | NO.68-18 |
| Part No. | DZ9114320137 | | | | | | | | | | | | | | | | | | | | | | | | | | | | | | |
| CH part name | 轴间半轴齿轮 (前) | | | | | | | | | | | | | | | | | | | | | | | | | | | | | | |
| EN part name | Drive shaft (front) | | | | | | | | | | | | | | | | | | | | | | | | | | | | | | |
| RU part name | Шестерня полуоси | | | | | | | | | | | | | | | | | | | | | | | | | | | | | | |
| Size:mm | 119*119*40 | | | | | | | | | | | | | | | | | | | | | | | | | | | | | | |
| Weight:kg | 1.82 | | | | | | | | | | | | | | | | | | | | | | | | | | | | | | |
| NO. | NO.68-15 | | | | | | | | | | | | | | | | | | | | | | | | | | | | | | |
| Part No. | 1228320106 | | | | | | | | | | | | | | | | | | | | | | | | | | | | | | |
| CH part name | 差速锁销 | | | | | | | | | | | | | | | | | | | | | | | | | | | | | | |
| EN part name | Differential lock pin | | | | | | | | | | | | | | | | | | | | | | | | | | | | | | |
| RU part name | Дифференциальная контактов блокировки | | | | | | | | | | | | | | | | | | | | | | | | | | | | | | |
| Size:mm | 43*12 | | | | | | | | | | | | | | | | | | | | | | | | | | | | | | |
| Weight:kg | 0.036 | | | | | | | | | | | | | | | | | | | | | | | | | | | | | | |
| NO. | NO.68-18 | | | | | | | | | | | | | | | | | | | | | | | | | | | | | | |
| Remarks: SHACMAN F3000 F2000 X3000 M3000 8*4 6*4 STEYR | | Remarks: SHACMAN F3000 F2000 X3000 M3000 8*4 6*4 STEYR | | | | | | | | | | | | | | | | | | | | | | | | | | | | | |
|  | <table border="1"> <tr><td>Part No.</td><td>199014320059</td></tr> <tr><td>CH part name</td><td>轴间半轴齿轮 (后)</td></tr> <tr><td>EN part name</td><td>Drive shaft gear (rear)</td></tr> <tr><td>RU part name</td><td>Шестерня полуоси задняя</td></tr> <tr><td>Size:mm</td><td>120*120*50</td></tr> <tr><td>Weight:kg</td><td>1.178</td></tr> <tr><td>NO.</td><td>NO.68-13</td></tr> </table> | Part No. | 199014320059 | CH part name | 轴间半轴齿轮 (后) | EN part name | Drive shaft gear (rear) | RU part name | Шестерня полуоси задняя | Size:mm | 120*120*50 | Weight:kg | 1.178 | NO. | NO.68-13 |  | <table border="1"> <tr><td>Part No.</td><td>DZ9114320154</td></tr> <tr><td>CH part name</td><td>凸缘</td></tr> <tr><td>EN part name</td><td>Plain flange</td></tr> <tr><td>RU part name</td><td>Фланец</td></tr> <tr><td>Size:mm</td><td>180*180*85</td></tr> <tr><td>Weight:kg</td><td>3</td></tr> <tr><td>NO.</td><td>NO.68-33</td></tr> </table> | Part No. | DZ9114320154 | CH part name | 凸缘 | EN part name | Plain flange | RU part name | Фланец | Size:mm | 180*180*85 | Weight:kg | 3 | NO. | NO.68-33 |
| Part No. | 199014320059 | | | | | | | | | | | | | | | | | | | | | | | | | | | | | | |
| CH part name | 轴间半轴齿轮 (后) | | | | | | | | | | | | | | | | | | | | | | | | | | | | | | |
| EN part name | Drive shaft gear (rear) | | | | | | | | | | | | | | | | | | | | | | | | | | | | | | |
| RU part name | Шестерня полуоси задняя | | | | | | | | | | | | | | | | | | | | | | | | | | | | | | |
| Size:mm | 120*120*50 | | | | | | | | | | | | | | | | | | | | | | | | | | | | | | |
| Weight:kg | 1.178 | | | | | | | | | | | | | | | | | | | | | | | | | | | | | | |
| NO. | NO.68-13 | | | | | | | | | | | | | | | | | | | | | | | | | | | | | | |
| Part No. | DZ9114320154 | | | | | | | | | | | | | | | | | | | | | | | | | | | | | | |
| CH part name | 凸缘 | | | | | | | | | | | | | | | | | | | | | | | | | | | | | | |
| EN part name | Plain flange | | | | | | | | | | | | | | | | | | | | | | | | | | | | | | |
| RU part name | Фланец | | | | | | | | | | | | | | | | | | | | | | | | | | | | | | |
| Size:mm | 180*180*85 | | | | | | | | | | | | | | | | | | | | | | | | | | | | | | |
| Weight:kg | 3 | | | | | | | | | | | | | | | | | | | | | | | | | | | | | | |
| NO. | NO.68-33 | | | | | | | | | | | | | | | | | | | | | | | | | | | | | | |
| Remarks: SHACMAN F3000 F2000 X3000 M3000 8*4 6*4 STEYR | | Remarks: SHACMAN F3000 F2000 X3000 M3000 8*4 6*4 STEYR | | | | | | | | | | | | | | | | | | | | | | | | | | | | | |

SHACMAN(1)

| | | | | | | | | | | | | | | | | | | | | | | | | | | | | | | | |
|---|--|---|----------------|--------------|---------|--------------|------------------------------|--------------|----------------------|---------|------------|-----------|-------|-----|--------------------|---|---|----------|-----------------|--------------|--------|--------------|---------------|--------------|---------------------|---------|-----------|-----------|------|-----|--------------------|
|  | <table border="1"> <tr><td>Part No.</td><td>199014320154</td></tr> <tr><td>CH part name</td><td>凸缘Φ180</td></tr> <tr><td>EN part name</td><td>Plain flange</td></tr> <tr><td>RU part name</td><td>Фланец</td></tr> <tr><td>Size:mm</td><td>180*180*85</td></tr> <tr><td>Weight:kg</td><td>3</td></tr> <tr><td>NO.</td><td>NO.68-33</td></tr> </table> | Part No. | 199014320154 | CH part name | 凸缘Φ180 | EN part name | Plain flange | RU part name | Фланец | Size:mm | 180*180*85 | Weight:kg | 3 | NO. | NO.68-33 |  | <table border="1"> <tr><td>Part No.</td><td>199014320037/39</td></tr> <tr><td>CH part name</td><td>贯通轴油封</td></tr> <tr><td>EN part name</td><td>Oil seal</td></tr> <tr><td>RU part name</td><td>Сальник хвостовика</td></tr> <tr><td>Size:mm</td><td>105*105*8</td></tr> <tr><td>Weight:kg</td><td>0.2</td></tr> <tr><td>NO.</td><td>NO.68-4-5</td></tr> </table> | Part No. | 199014320037/39 | CH part name | 贯通轴油封 | EN part name | Oil seal | RU part name | Сальник хвостовика | Size:mm | 105*105*8 | Weight:kg | 0.2 | NO. | NO.68-4-5 |
| Part No. | 199014320154 | | | | | | | | | | | | | | | | | | | | | | | | | | | | | | |
| CH part name | 凸缘Φ180 | | | | | | | | | | | | | | | | | | | | | | | | | | | | | | |
| EN part name | Plain flange | | | | | | | | | | | | | | | | | | | | | | | | | | | | | | |
| RU part name | Фланец | | | | | | | | | | | | | | | | | | | | | | | | | | | | | | |
| Size:mm | 180*180*85 | | | | | | | | | | | | | | | | | | | | | | | | | | | | | | |
| Weight:kg | 3 | | | | | | | | | | | | | | | | | | | | | | | | | | | | | | |
| NO. | NO.68-33 | | | | | | | | | | | | | | | | | | | | | | | | | | | | | | |
| Part No. | 199014320037/39 | | | | | | | | | | | | | | | | | | | | | | | | | | | | | | |
| CH part name | 贯通轴油封 | | | | | | | | | | | | | | | | | | | | | | | | | | | | | | |
| EN part name | Oil seal | | | | | | | | | | | | | | | | | | | | | | | | | | | | | | |
| RU part name | Сальник хвостовика | | | | | | | | | | | | | | | | | | | | | | | | | | | | | | |
| Size:mm | 105*105*8 | | | | | | | | | | | | | | | | | | | | | | | | | | | | | | |
| Weight:kg | 0.2 | | | | | | | | | | | | | | | | | | | | | | | | | | | | | | |
| NO. | NO.68-4-5 | | | | | | | | | | | | | | | | | | | | | | | | | | | | | | |
| Remarks: SHACMAN F3000 F2000 X3000 M3000 8*4 6*4 STEYR | | Remarks: SHACMAN F3000 F2000 X3000 M3000 8*4 6*4 STEYR | | | | | | | | | | | | | | | | | | | | | | | | | | | | | |
|  | <table border="1"> <tr><td>Part No.</td><td>81.35100.6599</td></tr> <tr><td>CH part name</td><td>差速器壳</td></tr> <tr><td>EN part name</td><td>Differential shell</td></tr> <tr><td>RU part name</td><td>Дифференциал в сборе</td></tr> <tr><td>Size:mm</td><td></td></tr> <tr><td>Weight:kg</td><td>4.5</td></tr> <tr><td>NO.</td><td>NO.69-89-79</td></tr> </table> | Part No. | 81.35100.6599 | CH part name | 差速器壳 | EN part name | Differential shell | RU part name | Дифференциал в сборе | Size:mm | | Weight:kg | 4.5 | NO. | NO.69-89-79 |  | <table border="1"> <tr><td>Part No.</td><td>199012320010</td></tr> <tr><td>CH part name</td><td>行星齿轮</td></tr> <tr><td>EN part name</td><td>Planet gear</td></tr> <tr><td>RU part name</td><td>Сателлиты</td></tr> <tr><td>Size:mm</td><td>80*80*30</td></tr> <tr><td>Weight:kg</td><td>0.6</td></tr> <tr><td>NO.</td><td>NO.68-11</td></tr> </table> | Part No. | 199012320010 | CH part name | 行星齿轮 | EN part name | Planet gear | RU part name | Сателлиты | Size:mm | 80*80*30 | Weight:kg | 0.6 | NO. | NO.68-11 |
| Part No. | 81.35100.6599 | | | | | | | | | | | | | | | | | | | | | | | | | | | | | | |
| CH part name | 差速器壳 | | | | | | | | | | | | | | | | | | | | | | | | | | | | | | |
| EN part name | Differential shell | | | | | | | | | | | | | | | | | | | | | | | | | | | | | | |
| RU part name | Дифференциал в сборе | | | | | | | | | | | | | | | | | | | | | | | | | | | | | | |
| Size:mm | | | | | | | | | | | | | | | | | | | | | | | | | | | | | | | |
| Weight:kg | 4.5 | | | | | | | | | | | | | | | | | | | | | | | | | | | | | | |
| NO. | NO.69-89-79 | | | | | | | | | | | | | | | | | | | | | | | | | | | | | | |
| Part No. | 199012320010 | | | | | | | | | | | | | | | | | | | | | | | | | | | | | | |
| CH part name | 行星齿轮 | | | | | | | | | | | | | | | | | | | | | | | | | | | | | | |
| EN part name | Planet gear | | | | | | | | | | | | | | | | | | | | | | | | | | | | | | |
| RU part name | Сателлиты | | | | | | | | | | | | | | | | | | | | | | | | | | | | | | |
| Size:mm | 80*80*30 | | | | | | | | | | | | | | | | | | | | | | | | | | | | | | |
| Weight:kg | 0.6 | | | | | | | | | | | | | | | | | | | | | | | | | | | | | | |
| NO. | NO.68-11 | | | | | | | | | | | | | | | | | | | | | | | | | | | | | | |
| Remarks: SHACMAN F3000 F2000 X3000 M3000 8*4 6*4 MAN | | Remarks: SHACMAN F3000 F2000 X3000 M3000 8*4 6*4 STEYR φ24 φ31 | | | | | | | | | | | | | | | | | | | | | | | | | | | | | |
|  | <table border="1"> <tr><td>Part No.</td><td>F81.35100.6592</td></tr> <tr><td>CH part name</td><td>轴间差速器总成</td></tr> <tr><td>EN part name</td><td>Shaft differential assembly.</td></tr> <tr><td>RU part name</td><td>Дифференциал в сборе</td></tr> <tr><td>Size:mm</td><td></td></tr> <tr><td>Weight:kg</td><td>38.65</td></tr> <tr><td>NO.</td><td>NO.69</td></tr> </table> | Part No. | F81.35100.6592 | CH part name | 轴间差速器总成 | EN part name | Shaft differential assembly. | RU part name | Дифференциал в сборе | Size:mm | | Weight:kg | 38.65 | NO. | NO.69 |  | <table border="1"> <tr><td>Part No.</td><td>81.90685.0054</td></tr> <tr><td>CH part name</td><td>调整螺母</td></tr> <tr><td>EN part name</td><td>Adjusting nut</td></tr> <tr><td>RU part name</td><td>корректировка ореха</td></tr> <tr><td>Size:mm</td><td></td></tr> <tr><td>Weight:kg</td><td>0.85</td></tr> <tr><td>NO.</td><td>NO.69-61</td></tr> </table> | Part No. | 81.90685.0054 | CH part name | 调整螺母 | EN part name | Adjusting nut | RU part name | корректировка ореха | Size:mm | | Weight:kg | 0.85 | NO. | NO.69-61 |
| Part No. | F81.35100.6592 | | | | | | | | | | | | | | | | | | | | | | | | | | | | | | |
| CH part name | 轴间差速器总成 | | | | | | | | | | | | | | | | | | | | | | | | | | | | | | |
| EN part name | Shaft differential assembly. | | | | | | | | | | | | | | | | | | | | | | | | | | | | | | |
| RU part name | Дифференциал в сборе | | | | | | | | | | | | | | | | | | | | | | | | | | | | | | |
| Size:mm | | | | | | | | | | | | | | | | | | | | | | | | | | | | | | | |
| Weight:kg | 38.65 | | | | | | | | | | | | | | | | | | | | | | | | | | | | | | |
| NO. | NO.69 | | | | | | | | | | | | | | | | | | | | | | | | | | | | | | |
| Part No. | 81.90685.0054 | | | | | | | | | | | | | | | | | | | | | | | | | | | | | | |
| CH part name | 调整螺母 | | | | | | | | | | | | | | | | | | | | | | | | | | | | | | |
| EN part name | Adjusting nut | | | | | | | | | | | | | | | | | | | | | | | | | | | | | | |
| RU part name | корректировка ореха | | | | | | | | | | | | | | | | | | | | | | | | | | | | | | |
| Size:mm | | | | | | | | | | | | | | | | | | | | | | | | | | | | | | | |
| Weight:kg | 0.85 | | | | | | | | | | | | | | | | | | | | | | | | | | | | | | |
| NO. | NO.69-61 | | | | | | | | | | | | | | | | | | | | | | | | | | | | | | |
| Remarks: SHACMAN F3000 F2000 X3000 M3000 8*4 6*4 MAN | | Remarks: SHACMAN F3000 F2000 X3000 M3000 8*4 6*4 MAN | | | | | | | | | | | | | | | | | | | | | | | | | | | | | |
|  | <table border="1"> <tr><td>Part No.</td><td>81.35610.0031</td></tr> <tr><td>CH part name</td><td>过桥箱主动齿轮</td></tr> <tr><td>EN part name</td><td>Passive column gear</td></tr> <tr><td>RU part name</td><td>Ведомая шестерня</td></tr> <tr><td>Size:mm</td><td>205*205*45</td></tr> <tr><td>Weight:kg</td><td>11.7</td></tr> <tr><td>NO.</td><td>NO.69-69</td></tr> </table> | Part No. | 81.35610.0031 | CH part name | 过桥箱主动齿轮 | EN part name | Passive column gear | RU part name | Ведомая шестерня | Size:mm | 205*205*45 | Weight:kg | 11.7 | NO. | NO.69-69 |  | <table border="1"> <tr><td>Part No.</td><td>DZ9112320920</td></tr> <tr><td>CH part name</td><td>主减速器油封</td></tr> <tr><td>EN part name</td><td>Oil seal</td></tr> <tr><td>RU part name</td><td>Сальник хвостовика</td></tr> <tr><td>Size:mm</td><td>105*105*8</td></tr> <tr><td>Weight:kg</td><td>0.25</td></tr> <tr><td>NO.</td><td>NO.69-62-63</td></tr> </table> | Part No. | DZ9112320920 | CH part name | 主减速器油封 | EN part name | Oil seal | RU part name | Сальник хвостовика | Size:mm | 105*105*8 | Weight:kg | 0.25 | NO. | NO.69-62-63 |
| Part No. | 81.35610.0031 | | | | | | | | | | | | | | | | | | | | | | | | | | | | | | |
| CH part name | 过桥箱主动齿轮 | | | | | | | | | | | | | | | | | | | | | | | | | | | | | | |
| EN part name | Passive column gear | | | | | | | | | | | | | | | | | | | | | | | | | | | | | | |
| RU part name | Ведомая шестерня | | | | | | | | | | | | | | | | | | | | | | | | | | | | | | |
| Size:mm | 205*205*45 | | | | | | | | | | | | | | | | | | | | | | | | | | | | | | |
| Weight:kg | 11.7 | | | | | | | | | | | | | | | | | | | | | | | | | | | | | | |
| NO. | NO.69-69 | | | | | | | | | | | | | | | | | | | | | | | | | | | | | | |
| Part No. | DZ9112320920 | | | | | | | | | | | | | | | | | | | | | | | | | | | | | | |
| CH part name | 主减速器油封 | | | | | | | | | | | | | | | | | | | | | | | | | | | | | | |
| EN part name | Oil seal | | | | | | | | | | | | | | | | | | | | | | | | | | | | | | |
| RU part name | Сальник хвостовика | | | | | | | | | | | | | | | | | | | | | | | | | | | | | | |
| Size:mm | 105*105*8 | | | | | | | | | | | | | | | | | | | | | | | | | | | | | | |
| Weight:kg | 0.25 | | | | | | | | | | | | | | | | | | | | | | | | | | | | | | |
| NO. | NO.69-62-63 | | | | | | | | | | | | | | | | | | | | | | | | | | | | | | |
| Remarks: SHACMAN F3000 F2000 X3000 M3000 8*4 6*4 MAN | | Remarks: SHACMAN F3000 F2000 X3000 M3000 8*4 6*4 MAN 06.56289.0361/0357 | | | | | | | | | | | | | | | | | | | | | | | | | | | | | |

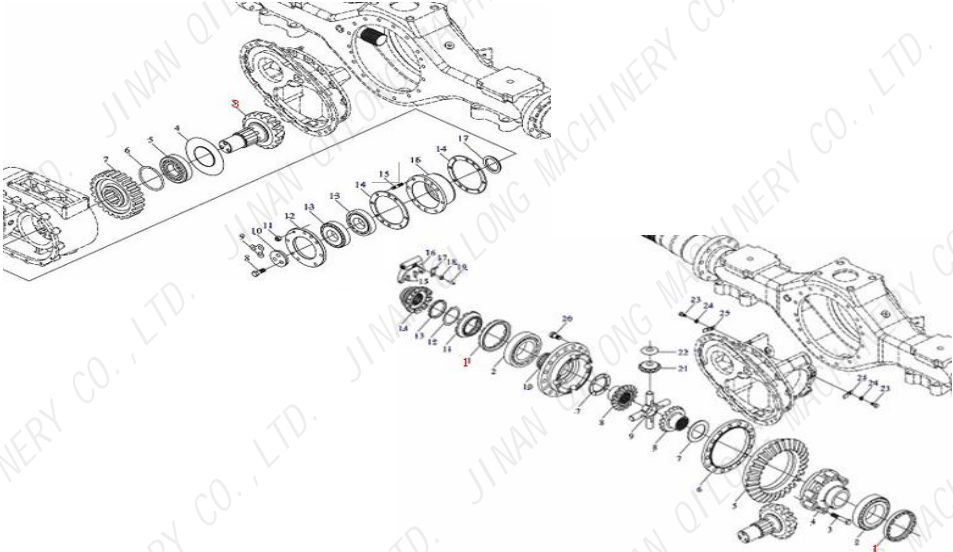






SHACMAN(1)

| MIDDLE AXLE DRIVING DEVICE II | | NO.69 HDM300 | | KD1335 | | | |
|---|--|--------------|--|---|---------------------------------|--------------|------------------------|
|  | | | |  | | Part No. | 81.35601.0009 |
| | | | | | | CH part name | 过桥箱 |
| | | | | EN part name | Pass axle box | | |
| | | | | RU part name | Картер редуктора среднего моста | | |
| | | | | Size:mm | | | |
| | | | | Weight:kg | 25 | | |
| | | | | NO. | NO.69-8 | | |
| Remarks: SHACMAN F3000 F2000 X3000 M3000 8*4 6*4 HDM300 | | | | | | | |
|  | | | |  | | Part No. | 81.35612.0015 |
| | | | | | | CH part name | 主轴滑动齿合套 |
| | | | | EN part name | Shift sleeve | | |
| | | | | RU part name | сдвиг в рукаве | | |
| | | | | Size:mm | | | |
| | | | | Weight:kg | 1.06 | | |
| | | | | NO. | NO.69-65 | | |
| Remarks: SHACMAN F3000 F2000 X3000 M3000 8*4 6*4 MAN | | | | | | | |
| KD1337 | | | | KD1338 | | | |
|  | | | |  | | Part No. | 81.35611.0016 |
| | | | | | | CH part name | 轴间差速器主轴 |
| | | | | | | EN part name | Master axle |
| | | | | | | RU part name | ГОСПОДИН Ось |
| | | | | | | Size:mm | |
| | | | | | | Weight:kg | 9.9 |
| | | | | | | NO. | NO.69-67 |
| Remarks: SHACMAN F3000 F2000 X3000 M3000 8*4 6*4 MAN | | | | | | | |
| KD1339 | | | | KD1340 | | | |
|  | | | |  | | Part No. | 81.35204.0017 |
| | | | | | | CH part name | 主轴垫片 |
| | | | | | | EN part name | Washer |
| | | | | | | RU part name | шайба |
| | | | | | | Size:mm | |
| | | | | | | Weight:kg | 0.05 |
| | | | | | | NO. | NO.69-68 |
| Remarks: SHACMAN F3000 F2000 X3000 M3000 8*4 6*4 MAN | | | | | | | |
|  | | | |  | | Part No. | 06.31420.0402 |
| | | | | | | CH part name | 轴承 |
| | | | | | | EN part name | Gear DIN625 6212C3 |
| | | | | | | RU part name | передача din625 6212c3 |
| | | | | | | Size:mm | |
| | | | | | | Weight:kg | 0.78 |
| | | | | | | NO. | NO.69-72 |
| Remarks: SHACMAN F3000 F2000 X3000 M3000 8*4 6*4 MAN | | | | | | | |

SHACMAN(1)

| | | | | | | | | | | | | | | | | | | | | | | | | | | | | | | | |
|---|---|--|---------------|--------------|-------------|--------------|-------------------|--------------|---------------|---------|-----------|-----------|-------|-----|-----------------|---|--|----------|---------------|--------------|-----------|--------------|-------------------------|--------------|-------------------------|---------|-------------|-----------|------|-----|--------------------|
|  | <table border="1"> <tr><td>Part No.</td><td>81.35604.0021</td></tr> <tr><td>CH part name</td><td>贯通轴MAN</td></tr> <tr><td>EN part name</td><td>Perforation shaft</td></tr> <tr><td>RU part name</td><td>Проходной вал</td></tr> <tr><td>Size:mm</td><td></td></tr> <tr><td>Weight:kg</td><td>10.05</td></tr> <tr><td>NO.</td><td>NO.69-76</td></tr> </table> | Part No. | 81.35604.0021 | CH part name | 贯通轴MAN | EN part name | Perforation shaft | RU part name | Проходной вал | Size:mm | | Weight:kg | 10.05 | NO. | NO.69-76 |  | <table border="1"> <tr><td>Part No.</td><td>HD95129320010</td></tr> <tr><td>CH part name</td><td>贯通轴油封</td></tr> <tr><td>EN part name</td><td>Grease packing</td></tr> <tr><td>RU part name</td><td>сальник</td></tr> <tr><td>Size:mm</td><td></td></tr> <tr><td>Weight:kg</td><td>0.3</td></tr> <tr><td>NO.</td><td>NO.69-73-74</td></tr> </table> | Part No. | HD95129320010 | CH part name | 贯通轴油封 | EN part name | Grease packing | RU part name | сальник | Size:mm | | Weight:kg | 0.3 | NO. | NO.69-73-74 |
| Part No. | 81.35604.0021 | | | | | | | | | | | | | | | | | | | | | | | | | | | | | | |
| CH part name | 贯通轴MAN | | | | | | | | | | | | | | | | | | | | | | | | | | | | | | |
| EN part name | Perforation shaft | | | | | | | | | | | | | | | | | | | | | | | | | | | | | | |
| RU part name | Проходной вал | | | | | | | | | | | | | | | | | | | | | | | | | | | | | | |
| Size:mm | | | | | | | | | | | | | | | | | | | | | | | | | | | | | | | |
| Weight:kg | 10.05 | | | | | | | | | | | | | | | | | | | | | | | | | | | | | | |
| NO. | NO.69-76 | | | | | | | | | | | | | | | | | | | | | | | | | | | | | | |
| Part No. | HD95129320010 | | | | | | | | | | | | | | | | | | | | | | | | | | | | | | |
| CH part name | 贯通轴油封 | | | | | | | | | | | | | | | | | | | | | | | | | | | | | | |
| EN part name | Grease packing | | | | | | | | | | | | | | | | | | | | | | | | | | | | | | |
| RU part name | сальник | | | | | | | | | | | | | | | | | | | | | | | | | | | | | | |
| Size:mm | | | | | | | | | | | | | | | | | | | | | | | | | | | | | | | |
| Weight:kg | 0.3 | | | | | | | | | | | | | | | | | | | | | | | | | | | | | | |
| NO. | NO.69-73-74 | | | | | | | | | | | | | | | | | | | | | | | | | | | | | | |
| Remarks: SHACMAN F3000 F2000 X3000 M3000 8*4 6*4 MAN | | Remarks: SHACMAN F3000 F2000 X3000 M3000 8*4 6*4 MAN | | | | | | | | | | | | | | | | | | | | | | | | | | | | | |
|  | <table border="1"> <tr><td>Part No.</td><td>06.31421.0803</td></tr> <tr><td>CH part name</td><td>轴承 6216JC4</td></tr> <tr><td>EN part name</td><td>Bearing</td></tr> <tr><td>RU part name</td><td>Подшипник</td></tr> <tr><td>Size:mm</td><td>130*60*31</td></tr> <tr><td>Weight:kg</td><td>1.65</td></tr> <tr><td>NO.</td><td>NO.69-77</td></tr> </table> | Part No. | 06.31421.0803 | CH part name | 轴承 6216JC4 | EN part name | Bearing | RU part name | Подшипник | Size:mm | 130*60*31 | Weight:kg | 1.65 | NO. | NO.69-77 |  | <table border="1"> <tr><td>Part No.</td><td>81.35617.0002</td></tr> <tr><td>CH part name</td><td>轴间半轴齿轮</td></tr> <tr><td>EN part name</td><td>Drive shaft gear (rear)</td></tr> <tr><td>RU part name</td><td>Шестерня полуоси задняя</td></tr> <tr><td>Size:mm</td><td>170*120*120</td></tr> <tr><td>Weight:kg</td><td>1.2</td></tr> <tr><td>NO.</td><td>NO.69-81</td></tr> </table> | Part No. | 81.35617.0002 | CH part name | 轴间半轴齿轮 | EN part name | Drive shaft gear (rear) | RU part name | Шестерня полуоси задняя | Size:mm | 170*120*120 | Weight:kg | 1.2 | NO. | NO.69-81 |
| Part No. | 06.31421.0803 | | | | | | | | | | | | | | | | | | | | | | | | | | | | | | |
| CH part name | 轴承 6216JC4 | | | | | | | | | | | | | | | | | | | | | | | | | | | | | | |
| EN part name | Bearing | | | | | | | | | | | | | | | | | | | | | | | | | | | | | | |
| RU part name | Подшипник | | | | | | | | | | | | | | | | | | | | | | | | | | | | | | |
| Size:mm | 130*60*31 | | | | | | | | | | | | | | | | | | | | | | | | | | | | | | |
| Weight:kg | 1.65 | | | | | | | | | | | | | | | | | | | | | | | | | | | | | | |
| NO. | NO.69-77 | | | | | | | | | | | | | | | | | | | | | | | | | | | | | | |
| Part No. | 81.35617.0002 | | | | | | | | | | | | | | | | | | | | | | | | | | | | | | |
| CH part name | 轴间半轴齿轮 | | | | | | | | | | | | | | | | | | | | | | | | | | | | | | |
| EN part name | Drive shaft gear (rear) | | | | | | | | | | | | | | | | | | | | | | | | | | | | | | |
| RU part name | Шестерня полуоси задняя | | | | | | | | | | | | | | | | | | | | | | | | | | | | | | |
| Size:mm | 170*120*120 | | | | | | | | | | | | | | | | | | | | | | | | | | | | | | |
| Weight:kg | 1.2 | | | | | | | | | | | | | | | | | | | | | | | | | | | | | | |
| NO. | NO.69-81 | | | | | | | | | | | | | | | | | | | | | | | | | | | | | | |
| Remarks: SHACMAN F3000 F2000 X3000 M3000 8*4 6*4 MAN | | Remarks: SHACMAN F3000 F2000 X3000 M3000 8*4 6*4 MAN | | | | | | | | | | | | | | | | | | | | | | | | | | | | | |
|  | <table border="1"> <tr><td>Part No.</td><td>81.91710.0445</td></tr> <tr><td>CH part name</td><td>十字轴浮动套</td></tr> <tr><td>EN part name</td><td>Washer</td></tr> <tr><td>RU part name</td><td>шайба</td></tr> <tr><td>Size:mm</td><td></td></tr> <tr><td>Weight:kg</td><td>0.02</td></tr> <tr><td>NO.</td><td>NO.69-85</td></tr> </table> | Part No. | 81.91710.0445 | CH part name | 十字轴浮动套 | EN part name | Washer | RU part name | шайба | Size:mm | | Weight:kg | 0.02 | NO. | NO.69-85 |  | <table border="1"> <tr><td>Part No.</td><td>81.35608.0025</td></tr> <tr><td>CH part name</td><td>十字轴MAN</td></tr> <tr><td>EN part name</td><td>Cross axle</td></tr> <tr><td>RU part name</td><td>Крестовина</td></tr> <tr><td>Size:mm</td><td>185*185*27</td></tr> <tr><td>Weight:kg</td><td>2.15</td></tr> <tr><td>NO.</td><td>NO.69-84</td></tr> </table> | Part No. | 81.35608.0025 | CH part name | 十字轴MAN | EN part name | Cross axle | RU part name | Крестовина | Size:mm | 185*185*27 | Weight:kg | 2.15 | NO. | NO.69-84 |
| Part No. | 81.91710.0445 | | | | | | | | | | | | | | | | | | | | | | | | | | | | | | |
| CH part name | 十字轴浮动套 | | | | | | | | | | | | | | | | | | | | | | | | | | | | | | |
| EN part name | Washer | | | | | | | | | | | | | | | | | | | | | | | | | | | | | | |
| RU part name | шайба | | | | | | | | | | | | | | | | | | | | | | | | | | | | | | |
| Size:mm | | | | | | | | | | | | | | | | | | | | | | | | | | | | | | | |
| Weight:kg | 0.02 | | | | | | | | | | | | | | | | | | | | | | | | | | | | | | |
| NO. | NO.69-85 | | | | | | | | | | | | | | | | | | | | | | | | | | | | | | |
| Part No. | 81.35608.0025 | | | | | | | | | | | | | | | | | | | | | | | | | | | | | | |
| CH part name | 十字轴MAN | | | | | | | | | | | | | | | | | | | | | | | | | | | | | | |
| EN part name | Cross axle | | | | | | | | | | | | | | | | | | | | | | | | | | | | | | |
| RU part name | Крестовина | | | | | | | | | | | | | | | | | | | | | | | | | | | | | | |
| Size:mm | 185*185*27 | | | | | | | | | | | | | | | | | | | | | | | | | | | | | | |
| Weight:kg | 2.15 | | | | | | | | | | | | | | | | | | | | | | | | | | | | | | |
| NO. | NO.69-84 | | | | | | | | | | | | | | | | | | | | | | | | | | | | | | |
| Remarks: SHACMAN F3000 F2000 X3000 M3000 8*4 6*4 MAN | | Remarks: SHACMAN F3000 F2000 X3000 M3000 8*4 6*4 MAN | | | | | | | | | | | | | | | | | | | | | | | | | | | | | |
|  | <table border="1"> <tr><td>Part No.</td><td>81.35614.0001</td></tr> <tr><td>CH part name</td><td>轴间差速器锁拨叉MAN</td></tr> <tr><td>EN part name</td><td>Selector fork</td></tr> <tr><td>RU part name</td><td>Вилка</td></tr> <tr><td>Size:mm</td><td></td></tr> <tr><td>Weight:kg</td><td>0.65</td></tr> <tr><td>NO.</td><td>NO.69-92</td></tr> </table> | Part No. | 81.35614.0001 | CH part name | 轴间差速器锁拨叉MAN | EN part name | Selector fork | RU part name | Вилка | Size:mm | | Weight:kg | 0.65 | NO. | NO.69-92 |  | <table border="1"> <tr><td>Part No.</td><td>81.35204.0030</td></tr> <tr><td>CH part name</td><td>轴间半轴齿轮后垫片</td></tr> <tr><td>EN part name</td><td>Axle shaft gear washer</td></tr> <tr><td>RU part name</td><td>Шайба шестерни полуоси</td></tr> <tr><td>Size:mm</td><td></td></tr> <tr><td>Weight:kg</td><td>0.02</td></tr> <tr><td>NO.</td><td>NO.69-80</td></tr> </table> | Part No. | 81.35204.0030 | CH part name | 轴间半轴齿轮后垫片 | EN part name | Axle shaft gear washer | RU part name | Шайба шестерни полуоси | Size:mm | | Weight:kg | 0.02 | NO. | NO.69-80 |
| Part No. | 81.35614.0001 | | | | | | | | | | | | | | | | | | | | | | | | | | | | | | |
| CH part name | 轴间差速器锁拨叉MAN | | | | | | | | | | | | | | | | | | | | | | | | | | | | | | |
| EN part name | Selector fork | | | | | | | | | | | | | | | | | | | | | | | | | | | | | | |
| RU part name | Вилка | | | | | | | | | | | | | | | | | | | | | | | | | | | | | | |
| Size:mm | | | | | | | | | | | | | | | | | | | | | | | | | | | | | | | |
| Weight:kg | 0.65 | | | | | | | | | | | | | | | | | | | | | | | | | | | | | | |
| NO. | NO.69-92 | | | | | | | | | | | | | | | | | | | | | | | | | | | | | | |
| Part No. | 81.35204.0030 | | | | | | | | | | | | | | | | | | | | | | | | | | | | | | |
| CH part name | 轴间半轴齿轮后垫片 | | | | | | | | | | | | | | | | | | | | | | | | | | | | | | |
| EN part name | Axle shaft gear washer | | | | | | | | | | | | | | | | | | | | | | | | | | | | | | |
| RU part name | Шайба шестерни полуоси | | | | | | | | | | | | | | | | | | | | | | | | | | | | | | |
| Size:mm | | | | | | | | | | | | | | | | | | | | | | | | | | | | | | | |
| Weight:kg | 0.02 | | | | | | | | | | | | | | | | | | | | | | | | | | | | | | |
| NO. | NO.69-80 | | | | | | | | | | | | | | | | | | | | | | | | | | | | | | |
| Remarks: SHACMAN F3000 F2000 X3000 M3000 8*4 6*4 MAN | | Remarks: SHACMAN F3000 F2000 X3000 M3000 8*4 6*4 MAN | | | | | | | | | | | | | | | | | | | | | | | | | | | | | |

SHACMAN(1)

| MIDDLE AXLE DRIVING DEVICE | | NO.70 | | HDS300 | | | |
|---|--|--------------|--------------------------|---|--|--------------|-----------------|
|  | | | | KD1349 | | | |
| | | | |  | | Part No. | 81.35609.0009 |
| | | | | | | CH part name | 行星齿轮 |
| | | | | | | EN part name | Planet gear |
| | | | | | | RU part name | Сателлиты |
| | | | | | | Size:mm | |
| | | | | | | Weight:kg | 0.7 |
| | | | | | | NO. | NO.69-87 |
| | | | | Remarks: SHACMAN F3000 F2000 X3000 M3000 8*4 6*4 MAN | | | |
| | | | | KD1350 | | | |
|  | | Part No. | DZ9114320693 | | | | |
| | | CH part name | 中桥锥齿轮 <i>i</i> =6.72 | | | | |
| | | EN part name | Pinion and crown wheel | | | | |
| | | RU part name | Пара конических шестерен | | | | |
| | | Size:mm | 300*310*25 | | | | |
| | | Weight:kg | 20.3 | | | | |
| | | NO. | NO.70-3-5 | | | | |
| Remarks: SHACMAN F3000 F2000 X3000 M3000 8*4 6*4 STEYR 15/29 | | | | | | | |
| KD1351 | | | | | | | |
|  | | Part No. | 199014320174 | | | | |
| | | CH part name | 档油盘 | | | | |
| | | EN part name | Oil flake | | | | |
| | | RU part name | нефть чешуйчатый | | | | |
| | | Size:mm | | | | | |
| | | Weight:kg | 0.053 | | | | |
| | | NO. | NO.70-4 | | | | |
| Remarks: SHACMAN F3000 F2000 X3000 M3000 8*4 6*4 STEYR 199014320257 | | | | | | | |
| KD1352 | | | | | | | |
|  | | Part No. | DZ9114320689 | | | | |
| | | CH part name | 中桥锥齿轮 <i>i</i> =5.73 | | | | |
| | | EN part name | Pinion and crown wheel | | | | |
| | | RU part name | Пара конических шестерен | | | | |
| | | Size:mm | 300*310*25 | | | | |
| | | Weight:kg | 20.3 | | | | |
| | | NO. | NO.70-3-5 | | | | |
| Remarks: SHACMAN F3000 F2000 X3000 M3000 8*4 6*4 STEYR 17/28 | | | | | | | |
| KD1353 | | | | | | | |
|  | | Part No. | 199014320129 | | | | |
| | | CH part name | 轴承座 | | | | |
| | | EN part name | Bearing seat | | | | |
| | | RU part name | с сиденья | | | | |
| | | Size:mm | 150*150*12 | | | | |
| | | Weight:kg | 1.3 | | | | |
| | | NO. | NO.70-16 | | | | |
| Remarks: SHACMAN F3000 F2000 X3000 M3000 8*4 6*4 STEYR | | | | | | | |
| KD1354 | | | | | | | |
|  | | Part No. | 31311 | | | | |
| | | CH part name | 轴承 | | | | |
| | | EN part name | Bearing | | | | |
| | | RU part name | Подшипник | | | | |
| | | Size:mm | 119*53*39 | | | | |
| | | Weight:kg | 3.8 | | | | |
| | | NO. | NO.70-13 | | | | |
| Remarks: SHACMAN F3000 F2000 X3000 M3000 8*4 6*4 STEYR | | | | | | | |

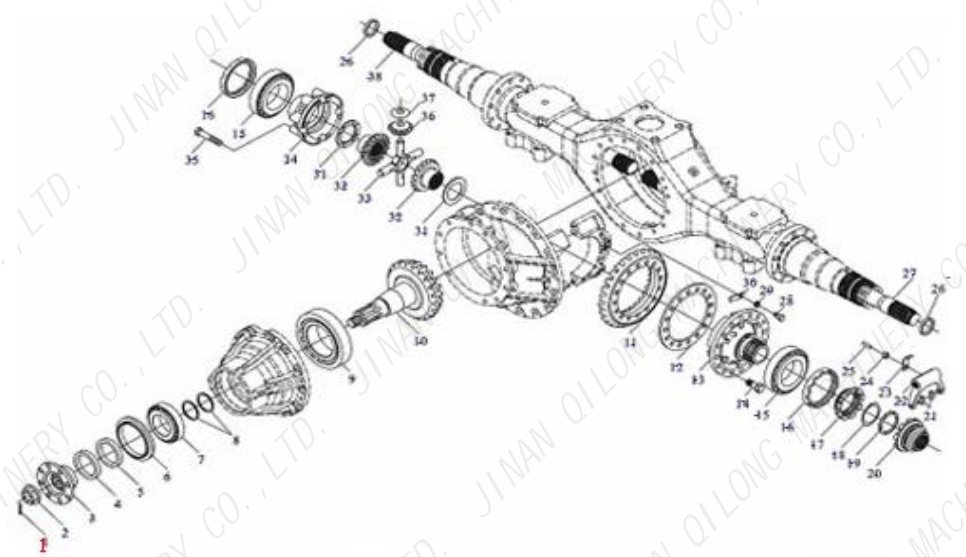
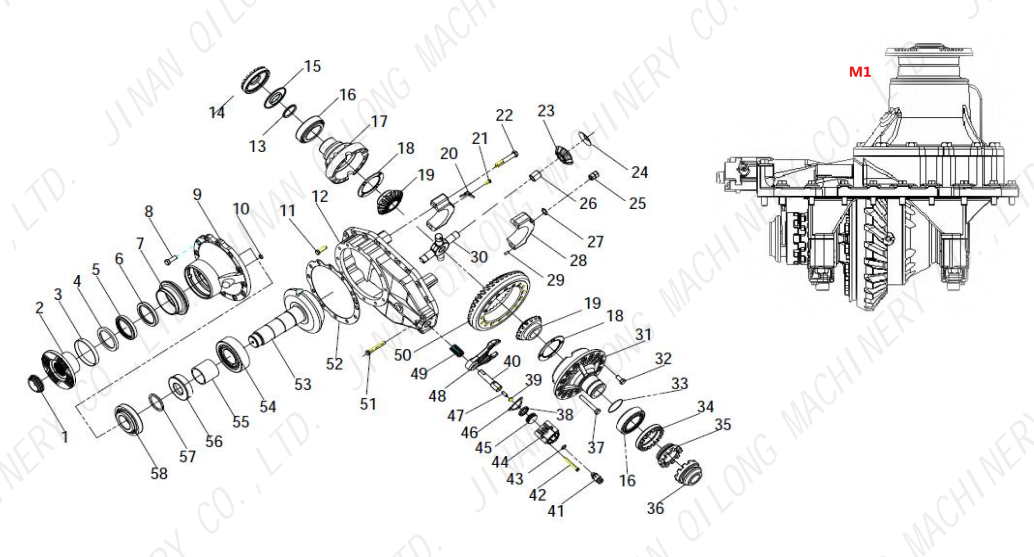




SHACMAN(1)

| | | | | | | | | | | | | | | | | | | | | | | | | | | | | | | | |
|---|--|--|-----------------|--------------|---------|--------------|------------------|--------------|----------------------|---------|-------------|-----------|-------|-----|-------------------|---|---|----------|--------------|--------------|--------|--------------|--------------------|--------------|----------------------|---------|-------------|-----------|------|-----|-------------------|
|  | <table border="1"> <tr><td>Part No.</td><td>DZ9112340222</td></tr> <tr><td>CH part name</td><td>右半轴</td></tr> <tr><td>EN part name</td><td>Drive shaft</td></tr> <tr><td>RU part name</td><td>Полуось</td></tr> <tr><td>Size:mm</td><td>1090*55</td></tr> <tr><td>Weight:kg</td><td>15.9</td></tr> <tr><td>NO.</td><td>NO.70-2</td></tr> </table> | Part No. | DZ9112340222 | CH part name | 右半轴 | EN part name | Drive shaft | RU part name | Полуось | Size:mm | 1090*55 | Weight:kg | 15.9 | NO. | NO.70-2 |  | <table border="1"> <tr><td>Part No.</td><td>DZ9112340221</td></tr> <tr><td>CH part name</td><td>左半轴</td></tr> <tr><td>EN part name</td><td>Drive shaft</td></tr> <tr><td>RU part name</td><td>Полуось</td></tr> <tr><td>Size:mm</td><td>1090*55</td></tr> <tr><td>Weight:kg</td><td>15.9</td></tr> <tr><td>NO.</td><td>NO.70-18</td></tr> </table> | Part No. | DZ9112340221 | CH part name | 左半轴 | EN part name | Drive shaft | RU part name | Полуось | Size:mm | 1090*55 | Weight:kg | 15.9 | NO. | NO.70-18 |
| Part No. | DZ9112340222 | | | | | | | | | | | | | | | | | | | | | | | | | | | | | | |
| CH part name | 右半轴 | | | | | | | | | | | | | | | | | | | | | | | | | | | | | | |
| EN part name | Drive shaft | | | | | | | | | | | | | | | | | | | | | | | | | | | | | | |
| RU part name | Полуось | | | | | | | | | | | | | | | | | | | | | | | | | | | | | | |
| Size:mm | 1090*55 | | | | | | | | | | | | | | | | | | | | | | | | | | | | | | |
| Weight:kg | 15.9 | | | | | | | | | | | | | | | | | | | | | | | | | | | | | | |
| NO. | NO.70-2 | | | | | | | | | | | | | | | | | | | | | | | | | | | | | | |
| Part No. | DZ9112340221 | | | | | | | | | | | | | | | | | | | | | | | | | | | | | | |
| CH part name | 左半轴 | | | | | | | | | | | | | | | | | | | | | | | | | | | | | | |
| EN part name | Drive shaft | | | | | | | | | | | | | | | | | | | | | | | | | | | | | | |
| RU part name | Полуось | | | | | | | | | | | | | | | | | | | | | | | | | | | | | | |
| Size:mm | 1090*55 | | | | | | | | | | | | | | | | | | | | | | | | | | | | | | |
| Weight:kg | 15.9 | | | | | | | | | | | | | | | | | | | | | | | | | | | | | | |
| NO. | NO.70-18 | | | | | | | | | | | | | | | | | | | | | | | | | | | | | | |
| Remarks: SHACMAN F3000 F2000 X3000 M3000 8*4 6*4 STEYR | | Remarks: SHACMAN F3000 F2000 X3000 M3000 8*4 6*4 STEYR | | | | | | | | | | | | | | | | | | | | | | | | | | | | | |
|  | <table border="1"> <tr><td>Part No.</td><td>F19901432016501</td></tr> <tr><td>CH part name</td><td>中桥差速器总成</td></tr> <tr><td>EN part name</td><td>Diff. assy.</td></tr> <tr><td>RU part name</td><td>Дифференциал в сборе</td></tr> <tr><td>Size:mm</td><td>265*255*255</td></tr> <tr><td>Weight:kg</td><td>23.11</td></tr> <tr><td>NO.</td><td>NO.70-4-10</td></tr> </table> | Part No. | F19901432016501 | CH part name | 中桥差速器总成 | EN part name | Diff. assy. | RU part name | Дифференциал в сборе | Size:mm | 265*255*255 | Weight:kg | 23.11 | NO. | NO.70-4-10 |  | <table border="1"> <tr><td>Part No.</td><td>199014320165</td></tr> <tr><td>CH part name</td><td>中桥差速器壳</td></tr> <tr><td>EN part name</td><td>Diff. assy.</td></tr> <tr><td>RU part name</td><td>Дифференциал в сборе</td></tr> <tr><td>Size:mm</td><td>265*255*255</td></tr> <tr><td>Weight:kg</td><td>12.5</td></tr> <tr><td>NO.</td><td>NO.70-4-10</td></tr> </table> | Part No. | 199014320165 | CH part name | 中桥差速器壳 | EN part name | Diff. assy. | RU part name | Дифференциал в сборе | Size:mm | 265*255*255 | Weight:kg | 12.5 | NO. | NO.70-4-10 |
| Part No. | F19901432016501 | | | | | | | | | | | | | | | | | | | | | | | | | | | | | | |
| CH part name | 中桥差速器总成 | | | | | | | | | | | | | | | | | | | | | | | | | | | | | | |
| EN part name | Diff. assy. | | | | | | | | | | | | | | | | | | | | | | | | | | | | | | |
| RU part name | Дифференциал в сборе | | | | | | | | | | | | | | | | | | | | | | | | | | | | | | |
| Size:mm | 265*255*255 | | | | | | | | | | | | | | | | | | | | | | | | | | | | | | |
| Weight:kg | 23.11 | | | | | | | | | | | | | | | | | | | | | | | | | | | | | | |
| NO. | NO.70-4-10 | | | | | | | | | | | | | | | | | | | | | | | | | | | | | | |
| Part No. | 199014320165 | | | | | | | | | | | | | | | | | | | | | | | | | | | | | | |
| CH part name | 中桥差速器壳 | | | | | | | | | | | | | | | | | | | | | | | | | | | | | | |
| EN part name | Diff. assy. | | | | | | | | | | | | | | | | | | | | | | | | | | | | | | |
| RU part name | Дифференциал в сборе | | | | | | | | | | | | | | | | | | | | | | | | | | | | | | |
| Size:mm | 265*255*255 | | | | | | | | | | | | | | | | | | | | | | | | | | | | | | |
| Weight:kg | 12.5 | | | | | | | | | | | | | | | | | | | | | | | | | | | | | | |
| NO. | NO.70-4-10 | | | | | | | | | | | | | | | | | | | | | | | | | | | | | | |
| Remarks: SHACMAN F3000 F2000 X3000 M3000 8*4 6*4 STEYR | | Remarks: SHACMAN F3000 F2000 X3000 M3000 8*4 6*4 STEYR HD91129320044 | | | | | | | | | | | | | | | | | | | | | | | | | | | | | |
|  | <table border="1"> <tr><td>Part No.</td><td>199012320009</td></tr> <tr><td>CH part name</td><td>半轴齿轮</td></tr> <tr><td>EN part name</td><td>Drive shaft gear</td></tr> <tr><td>RU part name</td><td>Шестерня полуоси</td></tr> <tr><td>Size:mm</td><td>120*54*67</td></tr> <tr><td>Weight:kg</td><td>1.33</td></tr> <tr><td>NO.</td><td>NO.70-8</td></tr> </table> | Part No. | 199012320009 | CH part name | 半轴齿轮 | EN part name | Drive shaft gear | RU part name | Шестерня полуоси | Size:mm | 120*54*67 | Weight:kg | 1.33 | NO. | NO.70-8 |  | <table border="1"> <tr><td>Part No.</td><td>199012320150</td></tr> <tr><td>CH part name</td><td>行星齿轮垫片</td></tr> <tr><td>EN part name</td><td>Planet gear washer</td></tr> <tr><td>RU part name</td><td>Шайба сателлита</td></tr> <tr><td>Size:mm</td><td>80*80*1</td></tr> <tr><td>Weight:kg</td><td>0.01</td></tr> <tr><td>NO.</td><td>NO.70-22</td></tr> </table> | Part No. | 199012320150 | CH part name | 行星齿轮垫片 | EN part name | Planet gear washer | RU part name | Шайба сателлита | Size:mm | 80*80*1 | Weight:kg | 0.01 | NO. | NO.70-22 |
| Part No. | 199012320009 | | | | | | | | | | | | | | | | | | | | | | | | | | | | | | |
| CH part name | 半轴齿轮 | | | | | | | | | | | | | | | | | | | | | | | | | | | | | | |
| EN part name | Drive shaft gear | | | | | | | | | | | | | | | | | | | | | | | | | | | | | | |
| RU part name | Шестерня полуоси | | | | | | | | | | | | | | | | | | | | | | | | | | | | | | |
| Size:mm | 120*54*67 | | | | | | | | | | | | | | | | | | | | | | | | | | | | | | |
| Weight:kg | 1.33 | | | | | | | | | | | | | | | | | | | | | | | | | | | | | | |
| NO. | NO.70-8 | | | | | | | | | | | | | | | | | | | | | | | | | | | | | | |
| Part No. | 199012320150 | | | | | | | | | | | | | | | | | | | | | | | | | | | | | | |
| CH part name | 行星齿轮垫片 | | | | | | | | | | | | | | | | | | | | | | | | | | | | | | |
| EN part name | Planet gear washer | | | | | | | | | | | | | | | | | | | | | | | | | | | | | | |
| RU part name | Шайба сателлита | | | | | | | | | | | | | | | | | | | | | | | | | | | | | | |
| Size:mm | 80*80*1 | | | | | | | | | | | | | | | | | | | | | | | | | | | | | | |
| Weight:kg | 0.01 | | | | | | | | | | | | | | | | | | | | | | | | | | | | | | |
| NO. | NO.70-22 | | | | | | | | | | | | | | | | | | | | | | | | | | | | | | |
| Remarks: SHACMAN F3000 F2000 X3000 M3000 8*4 6*4 STEYR | | Remarks: SHACMAN F3000 F2000 X3000 M3000 8*4 6*4 STEYR | | | | | | | | | | | | | | | | | | | | | | | | | | | | | |
|  | <table border="1"> <tr><td>Part No.</td><td>199014320091</td></tr> <tr><td>CH part name</td><td>差速器十字轴</td></tr> <tr><td>EN part name</td><td>Spider</td></tr> <tr><td>RU part name</td><td>Крестовина</td></tr> <tr><td>Size:mm</td><td>185*185*27</td></tr> <tr><td>Weight:kg</td><td>1.39</td></tr> <tr><td>NO.</td><td>NO.70-9</td></tr> </table> | Part No. | 199014320091 | CH part name | 差速器十字轴 | EN part name | Spider | RU part name | Крестовина | Size:mm | 185*185*27 | Weight:kg | 1.39 | NO. | NO.70-9 |  | <table border="1"> <tr><td>Part No.</td><td>190003326148</td></tr> <tr><td>CH part name</td><td>轴承</td></tr> <tr><td>EN part name</td><td>Bearing</td></tr> <tr><td>RU part name</td><td>Подшипник</td></tr> <tr><td>Size:mm</td><td>140*80*35</td></tr> <tr><td>Weight:kg</td><td>3.7</td></tr> <tr><td>NO.</td><td>NO.70-2</td></tr> </table> | Part No. | 190003326148 | CH part name | 轴承 | EN part name | Bearing | RU part name | Подшипник | Size:mm | 140*80*35 | Weight:kg | 3.7 | NO. | NO.70-2 |
| Part No. | 199014320091 | | | | | | | | | | | | | | | | | | | | | | | | | | | | | | |
| CH part name | 差速器十字轴 | | | | | | | | | | | | | | | | | | | | | | | | | | | | | | |
| EN part name | Spider | | | | | | | | | | | | | | | | | | | | | | | | | | | | | | |
| RU part name | Крестовина | | | | | | | | | | | | | | | | | | | | | | | | | | | | | | |
| Size:mm | 185*185*27 | | | | | | | | | | | | | | | | | | | | | | | | | | | | | | |
| Weight:kg | 1.39 | | | | | | | | | | | | | | | | | | | | | | | | | | | | | | |
| NO. | NO.70-9 | | | | | | | | | | | | | | | | | | | | | | | | | | | | | | |
| Part No. | 190003326148 | | | | | | | | | | | | | | | | | | | | | | | | | | | | | | |
| CH part name | 轴承 | | | | | | | | | | | | | | | | | | | | | | | | | | | | | | |
| EN part name | Bearing | | | | | | | | | | | | | | | | | | | | | | | | | | | | | | |
| RU part name | Подшипник | | | | | | | | | | | | | | | | | | | | | | | | | | | | | | |
| Size:mm | 140*80*35 | | | | | | | | | | | | | | | | | | | | | | | | | | | | | | |
| Weight:kg | 3.7 | | | | | | | | | | | | | | | | | | | | | | | | | | | | | | |
| NO. | NO.70-2 | | | | | | | | | | | | | | | | | | | | | | | | | | | | | | |
| Remarks: SHACMAN F3000 F2000 X3000 M3000 8*4 6*4 STEYR | | Remarks: SHACMAN F3000 F2000 X3000 M3000 8*4 6*4 STEYR 32216 | | | | | | | | | | | | | | | | | | | | | | | | | | | | | |

SHACMAN(1)

| | | | | | | | | | | | | | | | | | | | | | | | | | | | | | | | |
|--|--|---|--------------|--------------|------------|--------------|-------------------------|--------------|--------------------------|---------|------------|-----------|-------|-----|-----------------|---|--|----------|--------------|--------------|--------------|--------------|---------------------|--------------|----------------------------|---------|------------|-----------|------|-----|-----------------|
|  | <table border="1"> <tr><td>Part No.</td><td>199014320071</td></tr> <tr><td>CH part name</td><td>半轴齿轮垫片</td></tr> <tr><td>EN part name</td><td>Drive shaft gear washer</td></tr> <tr><td>RU part name</td><td>Шайба шестерни полуоси</td></tr> <tr><td>Size:mm</td><td>110*110*3</td></tr> <tr><td>Weight:kg</td><td>0.08</td></tr> <tr><td>NO.</td><td>NO.70-7</td></tr> </table> | Part No. | 199014320071 | CH part name | 半轴齿轮垫片 | EN part name | Drive shaft gear washer | RU part name | Шайба шестерни полуоси | Size:mm | 110*110*3 | Weight:kg | 0.08 | NO. | NO.70-7 |  | <table border="1"> <tr><td>Part No.</td><td>138090320155</td></tr> <tr><td>CH part name</td><td>固定齿合套</td></tr> <tr><td>EN part name</td><td>Fixed engage cowl</td></tr> <tr><td>RU part name</td><td>Неподвижная зубчатая муфта</td></tr> <tr><td>Size:mm</td><td>120*28*70</td></tr> <tr><td>Weight:kg</td><td>1.02</td></tr> <tr><td>NO.</td><td>NO.70-11</td></tr> </table> | Part No. | 138090320155 | CH part name | 固定齿合套 | EN part name | Fixed engage cowl | RU part name | Неподвижная зубчатая муфта | Size:mm | 120*28*70 | Weight:kg | 1.02 | NO. | NO.70-11 |
| Part No. | 199014320071 | | | | | | | | | | | | | | | | | | | | | | | | | | | | | | |
| CH part name | 半轴齿轮垫片 | | | | | | | | | | | | | | | | | | | | | | | | | | | | | | |
| EN part name | Drive shaft gear washer | | | | | | | | | | | | | | | | | | | | | | | | | | | | | | |
| RU part name | Шайба шестерни полуоси | | | | | | | | | | | | | | | | | | | | | | | | | | | | | | |
| Size:mm | 110*110*3 | | | | | | | | | | | | | | | | | | | | | | | | | | | | | | |
| Weight:kg | 0.08 | | | | | | | | | | | | | | | | | | | | | | | | | | | | | | |
| NO. | NO.70-7 | | | | | | | | | | | | | | | | | | | | | | | | | | | | | | |
| Part No. | 138090320155 | | | | | | | | | | | | | | | | | | | | | | | | | | | | | | |
| CH part name | 固定齿合套 | | | | | | | | | | | | | | | | | | | | | | | | | | | | | | |
| EN part name | Fixed engage cowl | | | | | | | | | | | | | | | | | | | | | | | | | | | | | | |
| RU part name | Неподвижная зубчатая муфта | | | | | | | | | | | | | | | | | | | | | | | | | | | | | | |
| Size:mm | 120*28*70 | | | | | | | | | | | | | | | | | | | | | | | | | | | | | | |
| Weight:kg | 1.02 | | | | | | | | | | | | | | | | | | | | | | | | | | | | | | |
| NO. | NO.70-11 | | | | | | | | | | | | | | | | | | | | | | | | | | | | | | |
| Remarks: SHACMAN F3000 F2000 X3000 M3000 8*4 6*4 STEYR | | Remarks: SHACMAN F3000 F2000 X3000 M3000 8*4 6*4 STEYR | | | | | | | | | | | | | | | | | | | | | | | | | | | | | |
|  | <table border="1"> <tr><td>Part No.</td><td>138090320156</td></tr> <tr><td>CH part name</td><td>滑动齿合套</td></tr> <tr><td>EN part name</td><td>Sliding engage cowl</td></tr> <tr><td>RU part name</td><td>Подвижная зубчатая муфта</td></tr> <tr><td>Size:mm</td><td>120*120*60</td></tr> <tr><td>Weight:kg</td><td>1.65</td></tr> <tr><td>NO.</td><td>NO.70-14</td></tr> </table> | Part No. | 138090320156 | CH part name | 滑动齿合套 | EN part name | Sliding engage cowl | RU part name | Подвижная зубчатая муфта | Size:mm | 120*120*60 | Weight:kg | 1.65 | NO. | NO.70-14 |  | <table border="1"> <tr><td>Part No.</td><td>199012320014</td></tr> <tr><td>CH part name</td><td>拨叉</td></tr> <tr><td>EN part name</td><td>Fork</td></tr> <tr><td>RU part name</td><td>Вилка</td></tr> <tr><td>Size:mm</td><td>115*95*32</td></tr> <tr><td>Weight:kg</td><td>0.5</td></tr> <tr><td>NO.</td><td>NO.70-16</td></tr> </table> | Part No. | 199012320014 | CH part name | 拨叉 | EN part name | Fork | RU part name | Вилка | Size:mm | 115*95*32 | Weight:kg | 0.5 | NO. | NO.70-16 |
| Part No. | 138090320156 | | | | | | | | | | | | | | | | | | | | | | | | | | | | | | |
| CH part name | 滑动齿合套 | | | | | | | | | | | | | | | | | | | | | | | | | | | | | | |
| EN part name | Sliding engage cowl | | | | | | | | | | | | | | | | | | | | | | | | | | | | | | |
| RU part name | Подвижная зубчатая муфта | | | | | | | | | | | | | | | | | | | | | | | | | | | | | | |
| Size:mm | 120*120*60 | | | | | | | | | | | | | | | | | | | | | | | | | | | | | | |
| Weight:kg | 1.65 | | | | | | | | | | | | | | | | | | | | | | | | | | | | | | |
| NO. | NO.70-14 | | | | | | | | | | | | | | | | | | | | | | | | | | | | | | |
| Part No. | 199012320014 | | | | | | | | | | | | | | | | | | | | | | | | | | | | | | |
| CH part name | 拨叉 | | | | | | | | | | | | | | | | | | | | | | | | | | | | | | |
| EN part name | Fork | | | | | | | | | | | | | | | | | | | | | | | | | | | | | | |
| RU part name | Вилка | | | | | | | | | | | | | | | | | | | | | | | | | | | | | | |
| Size:mm | 115*95*32 | | | | | | | | | | | | | | | | | | | | | | | | | | | | | | |
| Weight:kg | 0.5 | | | | | | | | | | | | | | | | | | | | | | | | | | | | | | |
| NO. | NO.70-16 | | | | | | | | | | | | | | | | | | | | | | | | | | | | | | |
| Remarks: SHACMAN F3000 F2000 X3000 M3000 8*4 6*4 STEYR | | Remarks: SHACMAN F3000 F2000 X3000 M3000 8*4 6*4 STEYR | | | | | | | | | | | | | | | | | | | | | | | | | | | | | |
|  | <table border="1"> <tr><td>Part No.</td><td>199014320174</td></tr> <tr><td>CH part name</td><td>档油盘</td></tr> <tr><td>EN part name</td><td>Oil flake</td></tr> <tr><td>RU part name</td><td>нефть чешуйчатый</td></tr> <tr><td>Size:mm</td><td></td></tr> <tr><td>Weight:kg</td><td>0.053</td></tr> <tr><td>NO.</td><td>NO.70-4</td></tr> </table> | Part No. | 199014320174 | CH part name | 档油盘 | EN part name | Oil flake | RU part name | нефть чешуйчатый | Size:mm | | Weight:kg | 0.053 | NO. | NO.70-4 |  | <table border="1"> <tr><td>Part No.</td><td>199014320137</td></tr> <tr><td>CH part name</td><td>从动园柱齿轮i=5.73</td></tr> <tr><td>EN part name</td><td>Passive column gear</td></tr> <tr><td>RU part name</td><td>Ведомая шестерня</td></tr> <tr><td>Size:mm</td><td>190*190*45</td></tr> <tr><td>Weight:kg</td><td>5.6</td></tr> <tr><td>NO.</td><td>NO.70-7</td></tr> </table> | Part No. | 199014320137 | CH part name | 从动园柱齿轮i=5.73 | EN part name | Passive column gear | RU part name | Ведомая шестерня | Size:mm | 190*190*45 | Weight:kg | 5.6 | NO. | NO.70-7 |
| Part No. | 199014320174 | | | | | | | | | | | | | | | | | | | | | | | | | | | | | | |
| CH part name | 档油盘 | | | | | | | | | | | | | | | | | | | | | | | | | | | | | | |
| EN part name | Oil flake | | | | | | | | | | | | | | | | | | | | | | | | | | | | | | |
| RU part name | нефть чешуйчатый | | | | | | | | | | | | | | | | | | | | | | | | | | | | | | |
| Size:mm | | | | | | | | | | | | | | | | | | | | | | | | | | | | | | | |
| Weight:kg | 0.053 | | | | | | | | | | | | | | | | | | | | | | | | | | | | | | |
| NO. | NO.70-4 | | | | | | | | | | | | | | | | | | | | | | | | | | | | | | |
| Part No. | 199014320137 | | | | | | | | | | | | | | | | | | | | | | | | | | | | | | |
| CH part name | 从动园柱齿轮i=5.73 | | | | | | | | | | | | | | | | | | | | | | | | | | | | | | |
| EN part name | Passive column gear | | | | | | | | | | | | | | | | | | | | | | | | | | | | | | |
| RU part name | Ведомая шестерня | | | | | | | | | | | | | | | | | | | | | | | | | | | | | | |
| Size:mm | 190*190*45 | | | | | | | | | | | | | | | | | | | | | | | | | | | | | | |
| Weight:kg | 5.6 | | | | | | | | | | | | | | | | | | | | | | | | | | | | | | |
| NO. | NO.70-7 | | | | | | | | | | | | | | | | | | | | | | | | | | | | | | |
| Remarks: SHACMAN F3000 F2000 X3000 M3000 8*4 6*4 STEYR | | Remarks: SHACMAN F3000 F2000 X3000 M3000 8*4 6*4 MAN | | | | | | | | | | | | | | | | | | | | | | | | | | | | | |
|  | <table border="1"> <tr><td>Part No.</td><td>SZ939000371</td></tr> <tr><td>CH part name</td><td>后桥总成 S5.73</td></tr> <tr><td>EN part name</td><td>Rear axle housing</td></tr> <tr><td>RU part name</td><td>Картер заднего моста</td></tr> <tr><td>Size:mm</td><td></td></tr> <tr><td>Weight:kg</td><td>350</td></tr> <tr><td>NO.</td><td>NO.71</td></tr> </table> | Part No. | SZ939000371 | CH part name | 后桥总成 S5.73 | EN part name | Rear axle housing | RU part name | Картер заднего моста | Size:mm | | Weight:kg | 350 | NO. | NO.71 |  | <table border="1"> <tr><td>Part No.</td><td>SZ939000139</td></tr> <tr><td>CH part name</td><td>后桥总成 M5.262</td></tr> <tr><td>EN part name</td><td>Rear axle assembly</td></tr> <tr><td>RU part name</td><td>задняя ось ассамблеи</td></tr> <tr><td>Size:mm</td><td></td></tr> <tr><td>Weight:kg</td><td>360</td></tr> <tr><td>NO.</td><td>NO.A71</td></tr> </table> | Part No. | SZ939000139 | CH part name | 后桥总成 M5.262 | EN part name | Rear axle assembly | RU part name | задняя ось ассамблеи | Size:mm | | Weight:kg | 360 | NO. | NO.A71 |
| Part No. | SZ939000371 | | | | | | | | | | | | | | | | | | | | | | | | | | | | | | |
| CH part name | 后桥总成 S5.73 | | | | | | | | | | | | | | | | | | | | | | | | | | | | | | |
| EN part name | Rear axle housing | | | | | | | | | | | | | | | | | | | | | | | | | | | | | | |
| RU part name | Картер заднего моста | | | | | | | | | | | | | | | | | | | | | | | | | | | | | | |
| Size:mm | | | | | | | | | | | | | | | | | | | | | | | | | | | | | | | |
| Weight:kg | 350 | | | | | | | | | | | | | | | | | | | | | | | | | | | | | | |
| NO. | NO.71 | | | | | | | | | | | | | | | | | | | | | | | | | | | | | | |
| Part No. | SZ939000139 | | | | | | | | | | | | | | | | | | | | | | | | | | | | | | |
| CH part name | 后桥总成 M5.262 | | | | | | | | | | | | | | | | | | | | | | | | | | | | | | |
| EN part name | Rear axle assembly | | | | | | | | | | | | | | | | | | | | | | | | | | | | | | |
| RU part name | задняя ось ассамблеи | | | | | | | | | | | | | | | | | | | | | | | | | | | | | | |
| Size:mm | | | | | | | | | | | | | | | | | | | | | | | | | | | | | | | |
| Weight:kg | 360 | | | | | | | | | | | | | | | | | | | | | | | | | | | | | | |
| NO. | NO.A71 | | | | | | | | | | | | | | | | | | | | | | | | | | | | | | |
| Remarks: SHACMAN F3000 F2000 X3000 M3000 8*4 6*4 STEYR 1F7131.400109-2 | | Remarks: SHACMAN F3000 F2000 X3000 M3000 8*4 6*4 HDM300 | | | | | | | | | | | | | | | | | | | | | | | | | | | | | |

SHACMAN(1)

| rear axle | | NO.71 | HDS300 | rear axle | | NO.A71 | HDM300 |
|---|--------------|-----------------------------|--------|---|--------------|-----------------------------|--------|
|  | | | |  | | | |
| KD1371 | | | | KD1372 | | | |
|  | Part No. | DZ91149330028 | |  | Part No. | DZ9112330596 | |
| | CH part name | 后桥壳总成 | | | CH part name | 后桥壳总成 | |
| | EN part name | Rear axle housing | | | EN part name | Rear axle housing | |
| | RU part name | Картер заднего моста | | | RU part name | Картер заднего моста | |
| | Size:mm | 2100*415*260 | | | Size:mm | | |
| | Weight:kg | 220 | | | Weight:kg | 230 | |
| | NO. | NO.71 | | | NO. | NO.A71 | |
| Remarks: SHACMAN F3000 F2000 X3000 M3000 8*4 6*4 STEYR | | | | Remarks: SHACMAN F3000 F2000 X3000 M3000 8*4 6*4 MAN | | | |
| KD1373 | | | | KD1374 | | | |
|  | Part No. | PDZ9112320160 | |  | Part No. | 81.35100.6428 | |
| | CH part name | 后桥中段 | | | CH part name | 后桥中段 | |
| | EN part name | In the middle of the bridge | | | EN part name | In the middle of the bridge | |
| | RU part name | В середине моста | | | RU part name | В середине моста | |
| | Size:mm | 450*450*550 | | | Size:mm | 450*450*550 | |
| | Weight:kg | 115 | | | Weight:kg | 115 | |
| | NO. | NO.71 | | | NO. | NO.A71-M1 | |
| Remarks: SHACMAN F3000 F2000 X3000 M3000 8*4 6*4 STEYR S5.73 S6.72 | | | | Remarks: SHACMAN F3000 F2000 X3000 M3000 8*4 6*4 MAN M5.262 | | | |

SHACMAN(1)

| | | | | | | | | | | | | | | | | | | | | | | | | | | | | | | | |
|---|--|---|---------------|--------------|-------------|--------------|----------------------|--------------|-----------------------|---------|-------------|-----------|-------|-----|--------------------|---|--|----------|---------------|--------------|-------------|--------------|--------------------|--------------|---|---------|-------------|-----------|-----|-----|---------------------|
|  | <table border="1"> <tr><td>Part No.</td><td>DZ9112320670</td></tr> <tr><td>CH part name</td><td>后桥锥齿轮 S5.73</td></tr> <tr><td>EN part name</td><td>Passive taper gear</td></tr> <tr><td>RU part name</td><td>пассивный сосуду лова</td></tr> <tr><td>Size:mm</td><td>280*320</td></tr> <tr><td>Weight:kg</td><td>22.95</td></tr> <tr><td>NO.</td><td>NO.71-10-11</td></tr> </table> | Part No. | DZ9112320670 | CH part name | 后桥锥齿轮 S5.73 | EN part name | Passive taper gear | RU part name | пассивный сосуду лова | Size:mm | 280*320 | Weight:kg | 22.95 | NO. | NO.71-10-11 |  | <table border="1"> <tr><td>Part No.</td><td>81.35199.6524</td></tr> <tr><td>CH part name</td><td>后桥锥齿轮 M5.92</td></tr> <tr><td>EN part name</td><td>Passive taper gear</td></tr> <tr><td>RU part name</td><td>пассивный сосуду лова</td></tr> <tr><td>Size:mm</td><td>300*310*250</td></tr> <tr><td>Weight:kg</td><td>30</td></tr> <tr><td>NO.</td><td>NO.A71-50-53</td></tr> </table> | Part No. | 81.35199.6524 | CH part name | 后桥锥齿轮 M5.92 | EN part name | Passive taper gear | RU part name | пассивный сосуду лова | Size:mm | 300*310*250 | Weight:kg | 30 | NO. | NO.A71-50-53 |
| Part No. | DZ9112320670 | | | | | | | | | | | | | | | | | | | | | | | | | | | | | | |
| CH part name | 后桥锥齿轮 S5.73 | | | | | | | | | | | | | | | | | | | | | | | | | | | | | | |
| EN part name | Passive taper gear | | | | | | | | | | | | | | | | | | | | | | | | | | | | | | |
| RU part name | пассивный сосуду лова | | | | | | | | | | | | | | | | | | | | | | | | | | | | | | |
| Size:mm | 280*320 | | | | | | | | | | | | | | | | | | | | | | | | | | | | | | |
| Weight:kg | 22.95 | | | | | | | | | | | | | | | | | | | | | | | | | | | | | | |
| NO. | NO.71-10-11 | | | | | | | | | | | | | | | | | | | | | | | | | | | | | | |
| Part No. | 81.35199.6524 | | | | | | | | | | | | | | | | | | | | | | | | | | | | | | |
| CH part name | 后桥锥齿轮 M5.92 | | | | | | | | | | | | | | | | | | | | | | | | | | | | | | |
| EN part name | Passive taper gear | | | | | | | | | | | | | | | | | | | | | | | | | | | | | | |
| RU part name | пассивный сосуду лова | | | | | | | | | | | | | | | | | | | | | | | | | | | | | | |
| Size:mm | 300*310*250 | | | | | | | | | | | | | | | | | | | | | | | | | | | | | | |
| Weight:kg | 30 | | | | | | | | | | | | | | | | | | | | | | | | | | | | | | |
| NO. | NO.A71-50-53 | | | | | | | | | | | | | | | | | | | | | | | | | | | | | | |
| Remarks: SHACMAN F3000 F2000 X3000 M3000 8*4 6*4 STEYR 199012320177 | | Remarks: SHACMAN F3000 F2000 X3000 M3000 8*4 6*4 MAN M5.262 | | | | | | | | | | | | | | | | | | | | | | | | | | | | | |
|  | <table border="1"> <tr><td>Part No.</td><td>190003078645</td></tr> <tr><td>CH part name</td><td>半轴油封</td></tr> <tr><td>EN part name</td><td>Drive shaft oil seal</td></tr> <tr><td>RU part name</td><td>Сальник полуоси</td></tr> <tr><td>Size:mm</td><td>70*70*8</td></tr> <tr><td>Weight:kg</td><td>0.1</td></tr> <tr><td>NO.</td><td>NO.71-26</td></tr> </table> | Part No. | 190003078645 | CH part name | 半轴油封 | EN part name | Drive shaft oil seal | RU part name | Сальник полуоси | Size:mm | 70*70*8 | Weight:kg | 0.1 | NO. | NO.71-26 |  | <table border="1"> <tr><td>Part No.</td><td>81.35301.6093</td></tr> <tr><td>CH part name</td><td>后桥主减速器壳</td></tr> <tr><td>EN part name</td><td>Housing reducer</td></tr> <tr><td>RU part name</td><td>diffierenhousing reducertial рычаг, астрид.</td></tr> <tr><td>Size:mm</td><td></td></tr> <tr><td>Weight:kg</td><td>25</td></tr> <tr><td>NO.</td><td>NO.A71-12</td></tr> </table> | Part No. | 81.35301.6093 | CH part name | 后桥主减速器壳 | EN part name | Housing reducer | RU part name | diffierenhousing reducertial рычаг, астрид. | Size:mm | | Weight:kg | 25 | NO. | NO.A71-12 |
| Part No. | 190003078645 | | | | | | | | | | | | | | | | | | | | | | | | | | | | | | |
| CH part name | 半轴油封 | | | | | | | | | | | | | | | | | | | | | | | | | | | | | | |
| EN part name | Drive shaft oil seal | | | | | | | | | | | | | | | | | | | | | | | | | | | | | | |
| RU part name | Сальник полуоси | | | | | | | | | | | | | | | | | | | | | | | | | | | | | | |
| Size:mm | 70*70*8 | | | | | | | | | | | | | | | | | | | | | | | | | | | | | | |
| Weight:kg | 0.1 | | | | | | | | | | | | | | | | | | | | | | | | | | | | | | |
| NO. | NO.71-26 | | | | | | | | | | | | | | | | | | | | | | | | | | | | | | |
| Part No. | 81.35301.6093 | | | | | | | | | | | | | | | | | | | | | | | | | | | | | | |
| CH part name | 后桥主减速器壳 | | | | | | | | | | | | | | | | | | | | | | | | | | | | | | |
| EN part name | Housing reducer | | | | | | | | | | | | | | | | | | | | | | | | | | | | | | |
| RU part name | diffierenhousing reducertial рычаг, астрид. | | | | | | | | | | | | | | | | | | | | | | | | | | | | | | |
| Size:mm | | | | | | | | | | | | | | | | | | | | | | | | | | | | | | | |
| Weight:kg | 25 | | | | | | | | | | | | | | | | | | | | | | | | | | | | | | |
| NO. | NO.A71-12 | | | | | | | | | | | | | | | | | | | | | | | | | | | | | | |
| Remarks: SHACMAN F3000 F2000 X3000 M3000 8*4 6*4 STEYR | | Remarks: SHACMAN F3000 F2000 X3000 M3000 8*4 6*4 MAN | | | | | | | | | | | | | | | | | | | | | | | | | | | | | |
|  | <table border="1"> <tr><td>Part No.</td><td>199012320503</td></tr> <tr><td>CH part name</td><td>后桥差速器壳</td></tr> <tr><td>EN part name</td><td>Diff. assy.</td></tr> <tr><td>RU part name</td><td>Дифференциал в сборе</td></tr> <tr><td>Size:mm</td><td>265*255*255</td></tr> <tr><td>Weight:kg</td><td>16.5</td></tr> <tr><td>NO.</td><td>NO.71-13-34</td></tr> </table> | Part No. | 199012320503 | CH part name | 后桥差速器壳 | EN part name | Diff. assy. | RU part name | Дифференциал в сборе | Size:mm | 265*255*255 | Weight:kg | 16.5 | NO. | NO.71-13-34 |  | <table border="1"> <tr><td>Part No.</td><td>81.35601.0020</td></tr> <tr><td>CH part name</td><td>后桥轴承座</td></tr> <tr><td>EN part name</td><td>Bearing seat</td></tr> <tr><td>RU part name</td><td>Ступица передняя</td></tr> <tr><td>Size:mm</td><td>365*365*230</td></tr> <tr><td>Weight:kg</td><td>30</td></tr> <tr><td>NO.</td><td>NO.A71-9</td></tr> </table> | Part No. | 81.35601.0020 | CH part name | 后桥轴承座 | EN part name | Bearing seat | RU part name | Ступица передняя | Size:mm | 365*365*230 | Weight:kg | 30 | NO. | NO.A71-9 |
| Part No. | 199012320503 | | | | | | | | | | | | | | | | | | | | | | | | | | | | | | |
| CH part name | 后桥差速器壳 | | | | | | | | | | | | | | | | | | | | | | | | | | | | | | |
| EN part name | Diff. assy. | | | | | | | | | | | | | | | | | | | | | | | | | | | | | | |
| RU part name | Дифференциал в сборе | | | | | | | | | | | | | | | | | | | | | | | | | | | | | | |
| Size:mm | 265*255*255 | | | | | | | | | | | | | | | | | | | | | | | | | | | | | | |
| Weight:kg | 16.5 | | | | | | | | | | | | | | | | | | | | | | | | | | | | | | |
| NO. | NO.71-13-34 | | | | | | | | | | | | | | | | | | | | | | | | | | | | | | |
| Part No. | 81.35601.0020 | | | | | | | | | | | | | | | | | | | | | | | | | | | | | | |
| CH part name | 后桥轴承座 | | | | | | | | | | | | | | | | | | | | | | | | | | | | | | |
| EN part name | Bearing seat | | | | | | | | | | | | | | | | | | | | | | | | | | | | | | |
| RU part name | Ступица передняя | | | | | | | | | | | | | | | | | | | | | | | | | | | | | | |
| Size:mm | 365*365*230 | | | | | | | | | | | | | | | | | | | | | | | | | | | | | | |
| Weight:kg | 30 | | | | | | | | | | | | | | | | | | | | | | | | | | | | | | |
| NO. | NO.A71-9 | | | | | | | | | | | | | | | | | | | | | | | | | | | | | | |
| Remarks: SHACMAN F3000 F2000 X3000 M3000 8*4 6*4 STEYR | | Remarks: SHACMAN F3000 F2000 X3000 M3000 8*4 6*4 MAN | | | | | | | | | | | | | | | | | | | | | | | | | | | | | |
|  | <table border="1"> <tr><td>Part No.</td><td>F199012320503</td></tr> <tr><td>CH part name</td><td>差速器总成</td></tr> <tr><td>EN part name</td><td>Diff. assy.</td></tr> <tr><td>RU part name</td><td>Дифференциал в сборе</td></tr> <tr><td>Size:mm</td><td>265*255*255</td></tr> <tr><td>Weight:kg</td><td>23.11</td></tr> <tr><td>NO.</td><td>NO.71-13-34</td></tr> </table> | Part No. | F199012320503 | CH part name | 差速器总成 | EN part name | Diff. assy. | RU part name | Дифференциал в сборе | Size:mm | 265*255*255 | Weight:kg | 23.11 | NO. | NO.71-13-34 |  | <table border="1"> <tr><td>Part No.</td><td>81.35412.0012</td></tr> <tr><td>CH part name</td><td>后桥油封座</td></tr> <tr><td>EN part name</td><td>Cover</td></tr> <tr><td>RU part name</td><td>Крышка торцевая</td></tr> <tr><td>Size:mm</td><td></td></tr> <tr><td>Weight:kg</td><td>1.2</td></tr> <tr><td>NO.</td><td>NO.A71-7</td></tr> </table> | Part No. | 81.35412.0012 | CH part name | 后桥油封座 | EN part name | Cover | RU part name | Крышка торцевая | Size:mm | | Weight:kg | 1.2 | NO. | NO.A71-7 |
| Part No. | F199012320503 | | | | | | | | | | | | | | | | | | | | | | | | | | | | | | |
| CH part name | 差速器总成 | | | | | | | | | | | | | | | | | | | | | | | | | | | | | | |
| EN part name | Diff. assy. | | | | | | | | | | | | | | | | | | | | | | | | | | | | | | |
| RU part name | Дифференциал в сборе | | | | | | | | | | | | | | | | | | | | | | | | | | | | | | |
| Size:mm | 265*255*255 | | | | | | | | | | | | | | | | | | | | | | | | | | | | | | |
| Weight:kg | 23.11 | | | | | | | | | | | | | | | | | | | | | | | | | | | | | | |
| NO. | NO.71-13-34 | | | | | | | | | | | | | | | | | | | | | | | | | | | | | | |
| Part No. | 81.35412.0012 | | | | | | | | | | | | | | | | | | | | | | | | | | | | | | |
| CH part name | 后桥油封座 | | | | | | | | | | | | | | | | | | | | | | | | | | | | | | |
| EN part name | Cover | | | | | | | | | | | | | | | | | | | | | | | | | | | | | | |
| RU part name | Крышка торцевая | | | | | | | | | | | | | | | | | | | | | | | | | | | | | | |
| Size:mm | | | | | | | | | | | | | | | | | | | | | | | | | | | | | | | |
| Weight:kg | 1.2 | | | | | | | | | | | | | | | | | | | | | | | | | | | | | | |
| NO. | NO.A71-7 | | | | | | | | | | | | | | | | | | | | | | | | | | | | | | |
| Remarks: SHACMAN F3000 F2000 X3000 M3000 8*4 6*4 STEYR | | Remarks: SHACMAN F3000 F2000 X3000 M3000 8*4 6*4 MAN | | | | | | | | | | | | | | | | | | | | | | | | | | | | | |

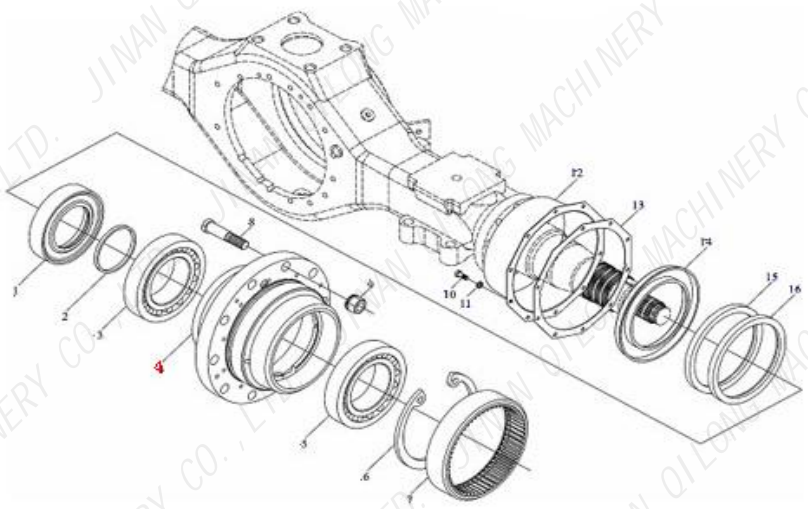
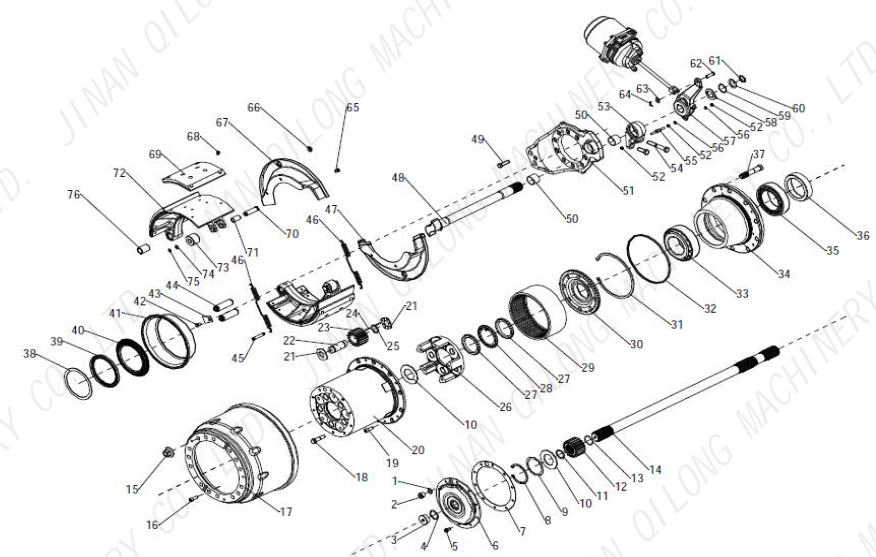




SHACMAN(1)

| | | | | | | | | | | | | | | | | | | | | | | | | | | | | | | | |
|---|--|--|---------------|--------------|--------------|--------------|----------------|--------------|--------------------|---------|-------------|-----------|-----|-----|-----------------|---|---|----------|---------------|--------------|-------------|--------------|-------------------------------|--------------|-------------------------------|---------|-------------|-----------|-----|-----|------------------|
|  | <table border="1"> <tr><td>Part No.</td><td>06.56289.0298</td></tr> <tr><td>CH part name</td><td>后轴承座油封</td></tr> <tr><td>EN part name</td><td>Oil seal</td></tr> <tr><td>RU part name</td><td>Сальник хвостовика</td></tr> <tr><td>Size:mm</td><td></td></tr> <tr><td>Weight:kg</td><td>0.2</td></tr> <tr><td>NO.</td><td>NO.A71-6</td></tr> </table> | Part No. | 06.56289.0298 | CH part name | 后轴承座油封 | EN part name | Oil seal | RU part name | Сальник хвостовика | Size:mm | | Weight:kg | 0.2 | NO. | NO.A71-6 |  | <table border="1"> <tr><td>Part No.</td><td>06.56289.0297</td></tr> <tr><td>CH part name</td><td>后轴承座油封</td></tr> <tr><td>EN part name</td><td>Oil seal</td></tr> <tr><td>RU part name</td><td>Сальник хвостовика</td></tr> <tr><td>Size:mm</td><td></td></tr> <tr><td>Weight:kg</td><td>0.2</td></tr> <tr><td>NO.</td><td>NO.A71-5</td></tr> </table> | Part No. | 06.56289.0297 | CH part name | 后轴承座油封 | EN part name | Oil seal | RU part name | Сальник хвостовика | Size:mm | | Weight:kg | 0.2 | NO. | NO.A71-5 |
| Part No. | 06.56289.0298 | | | | | | | | | | | | | | | | | | | | | | | | | | | | | | |
| CH part name | 后轴承座油封 | | | | | | | | | | | | | | | | | | | | | | | | | | | | | | |
| EN part name | Oil seal | | | | | | | | | | | | | | | | | | | | | | | | | | | | | | |
| RU part name | Сальник хвостовика | | | | | | | | | | | | | | | | | | | | | | | | | | | | | | |
| Size:mm | | | | | | | | | | | | | | | | | | | | | | | | | | | | | | | |
| Weight:kg | 0.2 | | | | | | | | | | | | | | | | | | | | | | | | | | | | | | |
| NO. | NO.A71-6 | | | | | | | | | | | | | | | | | | | | | | | | | | | | | | |
| Part No. | 06.56289.0297 | | | | | | | | | | | | | | | | | | | | | | | | | | | | | | |
| CH part name | 后轴承座油封 | | | | | | | | | | | | | | | | | | | | | | | | | | | | | | |
| EN part name | Oil seal | | | | | | | | | | | | | | | | | | | | | | | | | | | | | | |
| RU part name | Сальник хвостовика | | | | | | | | | | | | | | | | | | | | | | | | | | | | | | |
| Size:mm | | | | | | | | | | | | | | | | | | | | | | | | | | | | | | | |
| Weight:kg | 0.2 | | | | | | | | | | | | | | | | | | | | | | | | | | | | | | |
| NO. | NO.A71-5 | | | | | | | | | | | | | | | | | | | | | | | | | | | | | | |
| Remarks: SHACMAN F3000 F2000 X3000 M3000 8*4 6*4 MAN | | Remarks: SHACMAN F3000 F2000 X3000 M3000 8*4 6*4 MAN | | | | | | | | | | | | | | | | | | | | | | | | | | | | | |
|  | <table border="1"> <tr><td>Part No.</td><td>81.39115.5080</td></tr> <tr><td>CH part name</td><td>后桥凸缘</td></tr> <tr><td>EN part name</td><td>Plain flange</td></tr> <tr><td>RU part name</td><td>Фланец</td></tr> <tr><td>Size:mm</td><td>180*180*12</td></tr> <tr><td>Weight:kg</td><td>4</td></tr> <tr><td>NO.</td><td>NO.A71-2</td></tr> </table> | Part No. | 81.39115.5080 | CH part name | 后桥凸缘 | EN part name | Plain flange | RU part name | Фланец | Size:mm | 180*180*12 | Weight:kg | 4 | NO. | NO.A71-2 |  | <table border="1"> <tr><td>Part No.</td><td>06.32499.0088</td></tr> <tr><td>CH part name</td><td>圆锥滚子轴承31313</td></tr> <tr><td>EN part name</td><td>Row-steep roller bearing31313</td></tr> <tr><td>RU part name</td><td>ряд bearing31313 крутых каток</td></tr> <tr><td>Size:mm</td><td>140*65</td></tr> <tr><td>Weight:kg</td><td>3.5</td></tr> <tr><td>NO.</td><td>NO.A71-58</td></tr> </table> | Part No. | 06.32499.0088 | CH part name | 圆锥滚子轴承31313 | EN part name | Row-steep roller bearing31313 | RU part name | ряд bearing31313 крутых каток | Size:mm | 140*65 | Weight:kg | 3.5 | NO. | NO.A71-58 |
| Part No. | 81.39115.5080 | | | | | | | | | | | | | | | | | | | | | | | | | | | | | | |
| CH part name | 后桥凸缘 | | | | | | | | | | | | | | | | | | | | | | | | | | | | | | |
| EN part name | Plain flange | | | | | | | | | | | | | | | | | | | | | | | | | | | | | | |
| RU part name | Фланец | | | | | | | | | | | | | | | | | | | | | | | | | | | | | | |
| Size:mm | 180*180*12 | | | | | | | | | | | | | | | | | | | | | | | | | | | | | | |
| Weight:kg | 4 | | | | | | | | | | | | | | | | | | | | | | | | | | | | | | |
| NO. | NO.A71-2 | | | | | | | | | | | | | | | | | | | | | | | | | | | | | | |
| Part No. | 06.32499.0088 | | | | | | | | | | | | | | | | | | | | | | | | | | | | | | |
| CH part name | 圆锥滚子轴承31313 | | | | | | | | | | | | | | | | | | | | | | | | | | | | | | |
| EN part name | Row-steep roller bearing31313 | | | | | | | | | | | | | | | | | | | | | | | | | | | | | | |
| RU part name | ряд bearing31313 крутых каток | | | | | | | | | | | | | | | | | | | | | | | | | | | | | | |
| Size:mm | 140*65 | | | | | | | | | | | | | | | | | | | | | | | | | | | | | | |
| Weight:kg | 3.5 | | | | | | | | | | | | | | | | | | | | | | | | | | | | | | |
| NO. | NO.A71-58 | | | | | | | | | | | | | | | | | | | | | | | | | | | | | | |
| Remarks: SHACMAN F3000 F2000 X3000 M3000 8*4 6*4 MAN | | Remarks: SHACMAN F3000 F2000 X3000 M3000 8*4 6*4 MAN | | | | | | | | | | | | | | | | | | | | | | | | | | | | | |
|  | <table border="1"> <tr><td>Part No.</td><td>199112340009</td></tr> <tr><td>CH part name</td><td>后轮毂</td></tr> <tr><td>EN part name</td><td>Rear wheel hub</td></tr> <tr><td>RU part name</td><td>Задняя ступица</td></tr> <tr><td>Size:mm</td><td>400*400*240</td></tr> <tr><td>Weight:kg</td><td>34</td></tr> <tr><td>NO.</td><td>NO.72-4</td></tr> </table> | Part No. | 199112340009 | CH part name | 后轮毂 | EN part name | Rear wheel hub | RU part name | Задняя ступица | Size:mm | 400*400*240 | Weight:kg | 34 | NO. | NO.72-4 |  | <table border="1"> <tr><td>Part No.</td><td>81.35701.0128</td></tr> <tr><td>CH part name</td><td>后轮毂</td></tr> <tr><td>EN part name</td><td>Rear wheel hub</td></tr> <tr><td>RU part name</td><td>Задняя ступица</td></tr> <tr><td>Size:mm</td><td>400*400*240</td></tr> <tr><td>Weight:kg</td><td>34</td></tr> <tr><td>NO.</td><td>NO.A71-34</td></tr> </table> | Part No. | 81.35701.0128 | CH part name | 后轮毂 | EN part name | Rear wheel hub | RU part name | Задняя ступица | Size:mm | 400*400*240 | Weight:kg | 34 | NO. | NO.A71-34 |
| Part No. | 199112340009 | | | | | | | | | | | | | | | | | | | | | | | | | | | | | | |
| CH part name | 后轮毂 | | | | | | | | | | | | | | | | | | | | | | | | | | | | | | |
| EN part name | Rear wheel hub | | | | | | | | | | | | | | | | | | | | | | | | | | | | | | |
| RU part name | Задняя ступица | | | | | | | | | | | | | | | | | | | | | | | | | | | | | | |
| Size:mm | 400*400*240 | | | | | | | | | | | | | | | | | | | | | | | | | | | | | | |
| Weight:kg | 34 | | | | | | | | | | | | | | | | | | | | | | | | | | | | | | |
| NO. | NO.72-4 | | | | | | | | | | | | | | | | | | | | | | | | | | | | | | |
| Part No. | 81.35701.0128 | | | | | | | | | | | | | | | | | | | | | | | | | | | | | | |
| CH part name | 后轮毂 | | | | | | | | | | | | | | | | | | | | | | | | | | | | | | |
| EN part name | Rear wheel hub | | | | | | | | | | | | | | | | | | | | | | | | | | | | | | |
| RU part name | Задняя ступица | | | | | | | | | | | | | | | | | | | | | | | | | | | | | | |
| Size:mm | 400*400*240 | | | | | | | | | | | | | | | | | | | | | | | | | | | | | | |
| Weight:kg | 34 | | | | | | | | | | | | | | | | | | | | | | | | | | | | | | |
| NO. | NO.A71-34 | | | | | | | | | | | | | | | | | | | | | | | | | | | | | | |
| Remarks: SHACMAN F3000 F2000 X3000 M3000 8*4 6*4 STEYR | | Remarks: SHACMAN F3000 F2000 X3000 M3000 8*4 6*4 HDM300 | | | | | | | | | | | | | | | | | | | | | | | | | | | | | |
|  | <table border="1"> <tr><td>Part No.</td><td>190003326067</td></tr> <tr><td>CH part name</td><td>后轮毂内轴承 30222</td></tr> <tr><td>EN part name</td><td>Bearing</td></tr> <tr><td>RU part name</td><td>Подшипник</td></tr> <tr><td>Size:mm</td><td>200*110*32</td></tr> <tr><td>Weight:kg</td><td>3.2</td></tr> <tr><td>NO.</td><td>NO.72-3</td></tr> </table> | Part No. | 190003326067 | CH part name | 后轮毂内轴承 30222 | EN part name | Bearing | RU part name | Подшипник | Size:mm | 200*110*32 | Weight:kg | 3.2 | NO. | NO.72-3 |  | <table border="1"> <tr><td>Part No.</td><td>06.32499.0155</td></tr> <tr><td>CH part name</td><td>后轮毂内轴承</td></tr> <tr><td>EN part name</td><td>Bearing</td></tr> <tr><td>RU part name</td><td>Подшипник</td></tr> <tr><td>Size:mm</td><td>204*109*57</td></tr> <tr><td>Weight:kg</td><td>3.2</td></tr> <tr><td>NO.</td><td>NO.A72-35</td></tr> </table> | Part No. | 06.32499.0155 | CH part name | 后轮毂内轴承 | EN part name | Bearing | RU part name | Подшипник | Size:mm | 204*109*57 | Weight:kg | 3.2 | NO. | NO.A72-35 |
| Part No. | 190003326067 | | | | | | | | | | | | | | | | | | | | | | | | | | | | | | |
| CH part name | 后轮毂内轴承 30222 | | | | | | | | | | | | | | | | | | | | | | | | | | | | | | |
| EN part name | Bearing | | | | | | | | | | | | | | | | | | | | | | | | | | | | | | |
| RU part name | Подшипник | | | | | | | | | | | | | | | | | | | | | | | | | | | | | | |
| Size:mm | 200*110*32 | | | | | | | | | | | | | | | | | | | | | | | | | | | | | | |
| Weight:kg | 3.2 | | | | | | | | | | | | | | | | | | | | | | | | | | | | | | |
| NO. | NO.72-3 | | | | | | | | | | | | | | | | | | | | | | | | | | | | | | |
| Part No. | 06.32499.0155 | | | | | | | | | | | | | | | | | | | | | | | | | | | | | | |
| CH part name | 后轮毂内轴承 | | | | | | | | | | | | | | | | | | | | | | | | | | | | | | |
| EN part name | Bearing | | | | | | | | | | | | | | | | | | | | | | | | | | | | | | |
| RU part name | Подшипник | | | | | | | | | | | | | | | | | | | | | | | | | | | | | | |
| Size:mm | 204*109*57 | | | | | | | | | | | | | | | | | | | | | | | | | | | | | | |
| Weight:kg | 3.2 | | | | | | | | | | | | | | | | | | | | | | | | | | | | | | |
| NO. | NO.A72-35 | | | | | | | | | | | | | | | | | | | | | | | | | | | | | | |
| Remarks: SHACMAN F3000 F2000 X3000 M3000 8*4 6*4 STEYR | | Remarks: SHACMAN F3000 F2000 X3000 M3000 8*4 6*4 MAN 33022 | | | | | | | | | | | | | | | | | | | | | | | | | | | | | |

SHACMAN(1)

| | | | | | |
|---|--------------|-----------------------|---|--------------|--------------------------|
| KD1391 | | | KD1392 | | |
|  | Part No. | 199012340123 |  | Part No. | H150A22114ZF3 |
| | CH part name | 轮胎螺栓 | | CH part name | 轮胎螺栓 |
| | EN part name | Tire bolts | | EN part name | Tire bolts |
| | RU part name | Шина болт | | RU part name | Шина болт |
| | Size:mm | 22*105 | | Size:mm | 22*114 |
| | Weight:kg | 0.58 | | Weight:kg | 0.6 |
| | NO. | NO.72-5 | | NO. | NO.A72-37 |
| Remarks: SHACMAN HDS300 H150A22105AZF3 | | | Remarks: SHACMAN HDM300 81.45501.0083 | | |
| KD1393 | | | KD1394 | | |
|  | Part No. | DZ9112340239 |  | Part No. | DZ9112340238 |
| | CH part name | 制动底板 (L) | | CH part name | 制动底板 (R) |
| | EN part name | Front brake baseplate | | EN part name | Front brake baseplate |
| | RU part name | Суппорт передний | | RU part name | Суппорт передний |
| | Size:mm | | | Size:mm | |
| | Weight:kg | 10.25 | | Weight:kg | 10.25 |
| | NO. | NO.A72-51 | | NO. | NO.A72-51 |
| Remarks: SHACMAN HDM300 孔14-16 | | | Remarks: SHACMAN HDM3000 孔14-16 | | |
| KD1395 | | | KD1396 | | |
|  | Part No. | 81.35502.0128 |  | Part No. | 81.35502.0129 |
| | CH part name | 半轴 L | | CH part name | 半轴 R |
| | EN part name | Drive shaft | | EN part name | Drive shaft |
| | RU part name | Полуось | | RU part name | Полуось |
| | Size:mm | 1100.5*55 | | Size:mm | 1100.5*55 |
| | Weight:kg | 15 | | Weight:kg | 15 |
| | NO. | NO.A72-14 | | NO. | NO.A72-14 |
| Remarks: SHACMAN HDM300/1800 | | | Remarks: SHACMAN HDM300/1800 | | |
| KD1397 | | | KD1398 | | |
|  | Part No. | 81.50211.0030 |  | Part No. | 81.50110.0144 |
| | CH part name | 后制动蹄滚轮销 | | CH part name | 后桥制动鼓 |
| | EN part name | Brake shoe roller pin | | EN part name | Rear brake drum |
| | RU part name | Тормозной копыт | | RU part name | задний тормозной барабан |
| | Size:mm | | | Size:mm | |
| | Weight:kg | 0.18 | | Weight:kg | 58.65 |
| | NO. | NO.A72-70 | | NO. | NO.A72-17 |
| Remarks: SHACMAN HDM300 | | | Remarks: SHACMAN HDM300 | | |

SHACMAN(1)

| REDUCER I REAR AXLE HDS300 | | | NO.72 | | | REDUCER REAR AXLE HDM3000 | | | NO.A72 | | |
|---|--------------|------------------------------|---|--------------|------------------------------|---|--|--|--------|--|--|
|  | | | | | |  | | | | | |
| KD1340 | | | | | | KD1341 | | | | | |
|  | Part No. | 190003326167 |  | Part No. | 06.32499.0046 | | | | | | |
| | CH part name | 后轮毂外轴承 | | CH part name | 后轮毂外轴承 | | | | | | |
| | EN part name | Bearing | | EN part name | Bearing | | | | | | |
| | RU part name | Подшипник | | RU part name | Подшипник | | | | | | |
| | Size:mm | 204*109*57 | | Size:mm | 204*109*57 | | | | | | |
| | Weight:kg | 3.2 | | Weight:kg | 3.2 | | | | | | |
| | NO. | NO.72-5 | | NO. | NO.A72-33 | | | | | | |
| Remarks: SHACMAN F3000 F2000 X3000 M3000 8*4 6*4 STEYR 32222 | | | | | | Remarks: SHACMAN F3000 F2000 X3000 M3000 8*4 6*4 MAN 33220 | | | | | |
| KD1342 | | | | | | KD1343 | | | | | |
|  | Part No. | 199012340121 |  | Part No. | 81.35111.0021 | | | | | | |
| | CH part name | 内齿圈 | | CH part name | 内齿圈 | | | | | | |
| | EN part name | Ring gear | | EN part name | Ring gear | | | | | | |
| | RU part name | Шестерня бортового редуктора | | RU part name | Шестерня бортового редуктора | | | | | | |
| | Size:mm | 300*300*130 | | Size:mm | 300*300*130 | | | | | | |
| | Weight:kg | 3.9 | | Weight:kg | 3.9 | | | | | | |
| | NO. | NO.72-7 | | NO. | NO.A72-29 | | | | | | |
| Remarks: SHACMAN F3000 F2000 X3000 M3000 8*4 6*4 STEYR | | | | | | Remarks: SHACMAN F3000 F2000 X3000 M3000 8*4 6*4 MAN | | | | | |

SHACMAN(1)

| | | | | | |
|---|--------------|-------------------------------------|---|--------------|-------------------------------------|
| KD1344 | | | KD1345 | | |
|  | Part No. | 188000420014 |  | Part No. | 06.29020.0301 |
| | CH part name | 轮边齿圈孔用挡圈 | | CH part name | 齿圈卡簧 |
| | EN part name | Snap spring | | EN part name | Snap spring |
| | RU part name | Кольцо стопорное | | RU part name | Кольцо стопорное |
| | Size:mm | 300*300*2 | | Size:mm | 300*300*2 |
| | Weight:kg | 0.08 | | Weight:kg | 0.08 |
| | NO. | NO.72-8 | | NO. | NO.A72-31 |
| Remarks: SHACMAN F3000 F2000 X3000 M3000 8*4 6*4 STEYR | | | Remarks: SHACMAN F3000 F2000 X3000 M3000 8*4 6*4 MAN | | |
| KD1346 | | | KD1347 | | |
|  | Part No. | 199012340027 |  | Part No. | 06.56341.4254 |
| | CH part name | O 型密封圈 | | CH part name | O 型密封圈 |
| | EN part name | O-ring | | EN part name | O-ring |
| | RU part name | кольцевых | | RU part name | кольцевых |
| | Size:mm | 120*120*1 | | Size:mm | |
| | Weight:kg | 0.01 | | Weight:kg | 0.01 |
| | NO. | NO.72-2 | | NO. | NO.A72-32 |
| Remarks: SHACMAN F3000 F2000 X3000 M3000 8*4 6*4 STEYR | | | Remarks: SHACMAN F3000 F2000 X3000 M3000 8*4 6*4 MAN | | |
| KD1348 | | | KD1349 | | |
|  | Part No. | 199012340017 |  | Part No. | DZ9112340280 |
| | CH part name | 油封内环 (隔环) | | CH part name | 油封内环 (隔环) |
| | EN part name | Spacing collar | | EN part name | Spacing collar |
| | RU part name | дистанционное кольцо | | RU part name | дистанционное кольцо |
| | Size:mm | 230*230*40 | | Size:mm | 145*110.5*32 |
| | Weight:kg | 1.975 | | Weight:kg | 1.65 |
| | NO. | NO.72-1 | | NO. | NO.A72-36 |
| Remarks: SHACMAN F3000 F2000 X3000 M3000 8*4 6*4 STEYR 199012340019 | | | Remarks: SHACMAN F3000 F2000 X3000 M3000 8*4 6*4 HDM300 | | |
| KD1350 | | | KD1351 | | |
|  | Part No. | DZ9112340228 |  | Part No. | 06.56289.0331 |
| | CH part name | 后轮毂油封一体 | | CH part name | 轮毂外油封LR |
| | EN part name | Rear wheel inner and outer oil seal | | EN part name | Rear wheel inner and outer oil seal |
| | RU part name | Сальник ступицы моста задних колес | | RU part name | Сальник ступицы моста задних колес |
| | Size:mm | 230*230*20 | | Size:mm | 145*175*14 |
| | Weight:kg | 0.3 | | Weight:kg | 0.5 |
| | NO. | NO.72-15-16 | | NO. | NO.A72-39-40 |
| Remarks: SHACMAN F3000 F2000 X3000 M3000 8*4 6*4 STEYR 199012340093/94 | | | Remarks: SHACMAN F3000 F2000 X3000 M3000 8*4 6*4 MAN 06.56289.0371 | | |

SHACMAN(1)

| | | | | | | | | | | | | | | | | | | | | | | | | | | | | | | | |
|---|---|--|--------------|--------------|------------|--------------|-----------------|--------------|-----------------------|---------|--------------|-----------|------|-----|------------------|---|--|----------|----------------|--------------|--------------|--------------|----------------------|--------------|------------------|---------|--------------|-----------|------|-----|------------------|
|  | <table border="1"> <tr><td>Part No.</td><td>DZ9112340010</td></tr> <tr><td>CH part name</td><td>档油盘</td></tr> <tr><td>EN part name</td><td>Oil baffle disc</td></tr> <tr><td>RU part name</td><td>маслоотражатель</td></tr> <tr><td>Size:mm</td><td>230*230*23</td></tr> <tr><td>Weight:kg</td><td>0.2</td></tr> <tr><td>NO.</td><td>NO.72-14</td></tr> </table> | Part No. | DZ9112340010 | CH part name | 档油盘 | EN part name | Oil baffle disc | RU part name | маслоотражатель | Size:mm | 230*230*23 | Weight:kg | 0.2 | NO. | NO.72-14 |  | <table border="1"> <tr><td>Part No.</td><td>81.35730.0033</td></tr> <tr><td>CH part name</td><td>档油罩</td></tr> <tr><td>EN part name</td><td>Oil baffle cap</td></tr> <tr><td>RU part name</td><td>масла капот</td></tr> <tr><td>Size:mm</td><td>240**240*250</td></tr> <tr><td>Weight:kg</td><td>0.5</td></tr> <tr><td>NO.</td><td>NO.A72-41</td></tr> </table> | Part No. | 81.35730.0033 | CH part name | 档油罩 | EN part name | Oil baffle cap | RU part name | масла капот | Size:mm | 240**240*250 | Weight:kg | 0.5 | NO. | NO.A72-41 |
| Part No. | DZ9112340010 | | | | | | | | | | | | | | | | | | | | | | | | | | | | | | |
| CH part name | 档油盘 | | | | | | | | | | | | | | | | | | | | | | | | | | | | | | |
| EN part name | Oil baffle disc | | | | | | | | | | | | | | | | | | | | | | | | | | | | | | |
| RU part name | маслоотражатель | | | | | | | | | | | | | | | | | | | | | | | | | | | | | | |
| Size:mm | 230*230*23 | | | | | | | | | | | | | | | | | | | | | | | | | | | | | | |
| Weight:kg | 0.2 | | | | | | | | | | | | | | | | | | | | | | | | | | | | | | |
| NO. | NO.72-14 | | | | | | | | | | | | | | | | | | | | | | | | | | | | | | |
| Part No. | 81.35730.0033 | | | | | | | | | | | | | | | | | | | | | | | | | | | | | | |
| CH part name | 档油罩 | | | | | | | | | | | | | | | | | | | | | | | | | | | | | | |
| EN part name | Oil baffle cap | | | | | | | | | | | | | | | | | | | | | | | | | | | | | | |
| RU part name | масла капот | | | | | | | | | | | | | | | | | | | | | | | | | | | | | | |
| Size:mm | 240**240*250 | | | | | | | | | | | | | | | | | | | | | | | | | | | | | | |
| Weight:kg | 0.5 | | | | | | | | | | | | | | | | | | | | | | | | | | | | | | |
| NO. | NO.A72-41 | | | | | | | | | | | | | | | | | | | | | | | | | | | | | | |
| Remarks: SHACMAN F3000 F2000 X3000 M3000 8*4 6*4 STEYR 199012340018 | | Remarks: SHACMAN F3000 F2000 X3000 M3000 8*4 6*4 MAN | | | | | | | | | | | | | | | | | | | | | | | | | | | | | |
|  | <table border="1"> <tr><td>Part No.</td><td>199012340021</td></tr> <tr><td>CH part name</td><td>档油罩</td></tr> <tr><td>EN part name</td><td>Oil baffle cap</td></tr> <tr><td>RU part name</td><td>масла капот</td></tr> <tr><td>Size:mm</td><td>240**240*250</td></tr> <tr><td>Weight:kg</td><td>0.5</td></tr> <tr><td>NO.</td><td>NO.72-12</td></tr> </table> | Part No. | 199012340021 | CH part name | 档油罩 | EN part name | Oil baffle cap | RU part name | масла капот | Size:mm | 240**240*250 | Weight:kg | 0.5 | NO. | NO.72-12 |  | <table border="1"> <tr><td>Part No.</td><td>F81.35114.6111</td></tr> <tr><td>CH part name</td><td>轮边减速器总成 (牵引)</td></tr> <tr><td>EN part name</td><td>Planet carrier assy.</td></tr> <tr><td>RU part name</td><td>Планета кареткой</td></tr> <tr><td>Size:mm</td><td></td></tr> <tr><td>Weight:kg</td><td>32.7</td></tr> <tr><td>NO.</td><td>NO.A72-20</td></tr> </table> | Part No. | F81.35114.6111 | CH part name | 轮边减速器总成 (牵引) | EN part name | Planet carrier assy. | RU part name | Планета кареткой | Size:mm | | Weight:kg | 32.7 | NO. | NO.A72-20 |
| Part No. | 199012340021 | | | | | | | | | | | | | | | | | | | | | | | | | | | | | | |
| CH part name | 档油罩 | | | | | | | | | | | | | | | | | | | | | | | | | | | | | | |
| EN part name | Oil baffle cap | | | | | | | | | | | | | | | | | | | | | | | | | | | | | | |
| RU part name | масла капот | | | | | | | | | | | | | | | | | | | | | | | | | | | | | | |
| Size:mm | 240**240*250 | | | | | | | | | | | | | | | | | | | | | | | | | | | | | | |
| Weight:kg | 0.5 | | | | | | | | | | | | | | | | | | | | | | | | | | | | | | |
| NO. | NO.72-12 | | | | | | | | | | | | | | | | | | | | | | | | | | | | | | |
| Part No. | F81.35114.6111 | | | | | | | | | | | | | | | | | | | | | | | | | | | | | | |
| CH part name | 轮边减速器总成 (牵引) | | | | | | | | | | | | | | | | | | | | | | | | | | | | | | |
| EN part name | Planet carrier assy. | | | | | | | | | | | | | | | | | | | | | | | | | | | | | | |
| RU part name | Планета кареткой | | | | | | | | | | | | | | | | | | | | | | | | | | | | | | |
| Size:mm | | | | | | | | | | | | | | | | | | | | | | | | | | | | | | | |
| Weight:kg | 32.7 | | | | | | | | | | | | | | | | | | | | | | | | | | | | | | |
| NO. | NO.A72-20 | | | | | | | | | | | | | | | | | | | | | | | | | | | | | | |
| Remarks: SHACMAN F3000 F2000 X3000 M3000 8*4 6*4 STEYR | | Remarks: SHACMAN F3000 F2000 X3000 M3000 8*4 6*4 MAN | | | | | | | | | | | | | | | | | | | | | | | | | | | | | |
|  | <table border="1"> <tr><td>Part No.</td><td>DZ9112340145</td></tr> <tr><td>CH part name</td><td>凸轮轴支座 (后桥)</td></tr> <tr><td>EN part name</td><td>Bracket</td></tr> <tr><td>RU part name</td><td>Распредвал подшипники</td></tr> <tr><td>Size:mm</td><td></td></tr> <tr><td>Weight:kg</td><td>0.86</td></tr> <tr><td>NO.</td><td>NO.A72-53</td></tr> </table> | Part No. | DZ9112340145 | CH part name | 凸轮轴支座 (后桥) | EN part name | Bracket | RU part name | Распредвал подшипники | Size:mm | | Weight:kg | 0.86 | NO. | NO.A72-53 |  | <table border="1"> <tr><td>Part No.</td><td>81.35114.6113</td></tr> <tr><td>CH part name</td><td>轮边减速器壳</td></tr> <tr><td>EN part name</td><td>Hub redactor case</td></tr> <tr><td>RU part name</td><td>redactor дело</td></tr> <tr><td>Size:mm</td><td></td></tr> <tr><td>Weight:kg</td><td>16.7</td></tr> <tr><td>NO.</td><td>NO.A72-20</td></tr> </table> | Part No. | 81.35114.6113 | CH part name | 轮边减速器壳 | EN part name | Hub redactor case | RU part name | redactor дело | Size:mm | | Weight:kg | 16.7 | NO. | NO.A72-20 |
| Part No. | DZ9112340145 | | | | | | | | | | | | | | | | | | | | | | | | | | | | | | |
| CH part name | 凸轮轴支座 (后桥) | | | | | | | | | | | | | | | | | | | | | | | | | | | | | | |
| EN part name | Bracket | | | | | | | | | | | | | | | | | | | | | | | | | | | | | | |
| RU part name | Распредвал подшипники | | | | | | | | | | | | | | | | | | | | | | | | | | | | | | |
| Size:mm | | | | | | | | | | | | | | | | | | | | | | | | | | | | | | | |
| Weight:kg | 0.86 | | | | | | | | | | | | | | | | | | | | | | | | | | | | | | |
| NO. | NO.A72-53 | | | | | | | | | | | | | | | | | | | | | | | | | | | | | | |
| Part No. | 81.35114.6113 | | | | | | | | | | | | | | | | | | | | | | | | | | | | | | |
| CH part name | 轮边减速器壳 | | | | | | | | | | | | | | | | | | | | | | | | | | | | | | |
| EN part name | Hub redactor case | | | | | | | | | | | | | | | | | | | | | | | | | | | | | | |
| RU part name | redactor дело | | | | | | | | | | | | | | | | | | | | | | | | | | | | | | |
| Size:mm | | | | | | | | | | | | | | | | | | | | | | | | | | | | | | | |
| Weight:kg | 16.7 | | | | | | | | | | | | | | | | | | | | | | | | | | | | | | |
| NO. | NO.A72-20 | | | | | | | | | | | | | | | | | | | | | | | | | | | | | | |
| Remarks: SHACMAN F3000 F2000 X3000 M3000 8*4 6*4 MAN | | Remarks: SHACMAN F3000 F2000 X3000 M3000 8*4 6*4 MAN 自卸车 | | | | | | | | | | | | | | | | | | | | | | | | | | | | | |
|  | <table border="1"> <tr><td>Part No.</td><td>DZ9112340146</td></tr> <tr><td>CH part name</td><td>凸轮轴支座 (中桥)</td></tr> <tr><td>EN part name</td><td>Bracket</td></tr> <tr><td>RU part name</td><td>Распредвал подшипники</td></tr> <tr><td>Size:mm</td><td></td></tr> <tr><td>Weight:kg</td><td>0.75</td></tr> <tr><td>NO.</td><td>NO.A72-53</td></tr> </table> | Part No. | DZ9112340146 | CH part name | 凸轮轴支座 (中桥) | EN part name | Bracket | RU part name | Распредвал подшипники | Size:mm | | Weight:kg | 0.75 | NO. | NO.A72-53 |  | <table border="1"> <tr><td>Part No.</td><td>81.35114.0019</td></tr> <tr><td>CH part name</td><td>齿圈支架</td></tr> <tr><td>EN part name</td><td>Gear ring bearer</td></tr> <tr><td>RU part name</td><td>передача кольца</td></tr> <tr><td>Size:mm</td><td></td></tr> <tr><td>Weight:kg</td><td>4.1</td></tr> <tr><td>NO.</td><td>NO.A72-30</td></tr> </table> | Part No. | 81.35114.0019 | CH part name | 齿圈支架 | EN part name | Gear ring bearer | RU part name | передача кольца | Size:mm | | Weight:kg | 4.1 | NO. | NO.A72-30 |
| Part No. | DZ9112340146 | | | | | | | | | | | | | | | | | | | | | | | | | | | | | | |
| CH part name | 凸轮轴支座 (中桥) | | | | | | | | | | | | | | | | | | | | | | | | | | | | | | |
| EN part name | Bracket | | | | | | | | | | | | | | | | | | | | | | | | | | | | | | |
| RU part name | Распредвал подшипники | | | | | | | | | | | | | | | | | | | | | | | | | | | | | | |
| Size:mm | | | | | | | | | | | | | | | | | | | | | | | | | | | | | | | |
| Weight:kg | 0.75 | | | | | | | | | | | | | | | | | | | | | | | | | | | | | | |
| NO. | NO.A72-53 | | | | | | | | | | | | | | | | | | | | | | | | | | | | | | |
| Part No. | 81.35114.0019 | | | | | | | | | | | | | | | | | | | | | | | | | | | | | | |
| CH part name | 齿圈支架 | | | | | | | | | | | | | | | | | | | | | | | | | | | | | | |
| EN part name | Gear ring bearer | | | | | | | | | | | | | | | | | | | | | | | | | | | | | | |
| RU part name | передача кольца | | | | | | | | | | | | | | | | | | | | | | | | | | | | | | |
| Size:mm | | | | | | | | | | | | | | | | | | | | | | | | | | | | | | | |
| Weight:kg | 4.1 | | | | | | | | | | | | | | | | | | | | | | | | | | | | | | |
| NO. | NO.A72-30 | | | | | | | | | | | | | | | | | | | | | | | | | | | | | | |
| Remarks: SHACMAN F3000 F2000 X3000 M3000 8*4 6*4 MAN | | Remarks: SHACMAN F3000 F2000 X3000 M3000 8*4 6*4 MAN | | | | | | | | | | | | | | | | | | | | | | | | | | | | | |









SHACMAN(1)

| | | | | | | | | | | | | | | | | | | | | | | | | | | | | | | | |
|---|---|--|---------------|--------------|------------------|--------------|--------------------------|--------------|--|---------|-------------|-----------|------|-----|------------------|---|---|----------|---------------|--------------|-------|--------------|--------------|--------------|--------------------|---------|--------|-----------|-------|-----|------------------|
|  | <table border="1"> <tr><td>Part No.</td><td>DZ9112340012</td></tr> <tr><td>CH part name</td><td>左防尘罩 (L)</td></tr> <tr><td>EN part name</td><td>Brake prevented dust cap</td></tr> <tr><td>RU part name</td><td>Тормозная предотвратит пылезащитный ко</td></tr> <tr><td>Size:mm</td><td>250*150*0.2</td></tr> <tr><td>Weight:kg</td><td>0.45</td></tr> <tr><td>NO.</td><td>NO.A72-67</td></tr> </table> | Part No. | DZ9112340012 | CH part name | 左防尘罩 (L) | EN part name | Brake prevented dust cap | RU part name | Тормозная предотвратит пылезащитный ко | Size:mm | 250*150*0.2 | Weight:kg | 0.45 | NO. | NO.A72-67 |  | <table border="1"> <tr><td>Part No.</td><td>81.35114.0086</td></tr> <tr><td>CH part name</td><td>轮边端盖</td></tr> <tr><td>EN part name</td><td>Cover</td></tr> <tr><td>RU part name</td><td>Крышка</td></tr> <tr><td>Size:mm</td><td>235*20</td></tr> <tr><td>Weight:kg</td><td>0.85</td></tr> <tr><td>NO.</td><td>NO.A72-6</td></tr> </table> | Part No. | 81.35114.0086 | CH part name | 轮边端盖 | EN part name | Cover | RU part name | Крышка | Size:mm | 235*20 | Weight:kg | 0.85 | NO. | NO.A72-6 |
| Part No. | DZ9112340012 | | | | | | | | | | | | | | | | | | | | | | | | | | | | | | |
| CH part name | 左防尘罩 (L) | | | | | | | | | | | | | | | | | | | | | | | | | | | | | | |
| EN part name | Brake prevented dust cap | | | | | | | | | | | | | | | | | | | | | | | | | | | | | | |
| RU part name | Тормозная предотвратит пылезащитный ко | | | | | | | | | | | | | | | | | | | | | | | | | | | | | | |
| Size:mm | 250*150*0.2 | | | | | | | | | | | | | | | | | | | | | | | | | | | | | | |
| Weight:kg | 0.45 | | | | | | | | | | | | | | | | | | | | | | | | | | | | | | |
| NO. | NO.A72-67 | | | | | | | | | | | | | | | | | | | | | | | | | | | | | | |
| Part No. | 81.35114.0086 | | | | | | | | | | | | | | | | | | | | | | | | | | | | | | |
| CH part name | 轮边端盖 | | | | | | | | | | | | | | | | | | | | | | | | | | | | | | |
| EN part name | Cover | | | | | | | | | | | | | | | | | | | | | | | | | | | | | | |
| RU part name | Крышка | | | | | | | | | | | | | | | | | | | | | | | | | | | | | | |
| Size:mm | 235*20 | | | | | | | | | | | | | | | | | | | | | | | | | | | | | | |
| Weight:kg | 0.85 | | | | | | | | | | | | | | | | | | | | | | | | | | | | | | |
| NO. | NO.A72-6 | | | | | | | | | | | | | | | | | | | | | | | | | | | | | | |
| Remarks: SHACMAN F3000 F2000 X3000 M3000 8*4 6*4 MAN | | Remarks: SHACMAN F3000 F2000 X3000 M3000 8*4 6*4 MAN | | | | | | | | | | | | | | | | | | | | | | | | | | | | | |
|  | <table border="1"> <tr><td>Part No.</td><td>DZ9112340013</td></tr> <tr><td>CH part name</td><td>右防尘罩 (R)</td></tr> <tr><td>EN part name</td><td>Brake prevented dust cap</td></tr> <tr><td>RU part name</td><td>Тормозная предотвратит пылезащитный ко</td></tr> <tr><td>Size:mm</td><td>250*150*0.2</td></tr> <tr><td>Weight:kg</td><td>0.45</td></tr> <tr><td>NO.</td><td>NO.A72-47</td></tr> </table> | Part No. | DZ9112340013 | CH part name | 右防尘罩 (R) | EN part name | Brake prevented dust cap | RU part name | Тормозная предотвратит пылезащитный ко | Size:mm | 250*150*0.2 | Weight:kg | 0.45 | NO. | NO.A72-47 |  | <table border="1"> <tr><td>Part No.</td><td>81.35113.0044</td></tr> <tr><td>CH part name</td><td>太阳轮</td></tr> <tr><td>EN part name</td><td>Central gear</td></tr> <tr><td>RU part name</td><td>Солнечная шестерня</td></tr> <tr><td>Size:mm</td><td></td></tr> <tr><td>Weight:kg</td><td>2.1</td></tr> <tr><td>NO.</td><td>NO.A72-12</td></tr> </table> | Part No. | 81.35113.0044 | CH part name | 太阳轮 | EN part name | Central gear | RU part name | Солнечная шестерня | Size:mm | | Weight:kg | 2.1 | NO. | NO.A72-12 |
| Part No. | DZ9112340013 | | | | | | | | | | | | | | | | | | | | | | | | | | | | | | |
| CH part name | 右防尘罩 (R) | | | | | | | | | | | | | | | | | | | | | | | | | | | | | | |
| EN part name | Brake prevented dust cap | | | | | | | | | | | | | | | | | | | | | | | | | | | | | | |
| RU part name | Тормозная предотвратит пылезащитный ко | | | | | | | | | | | | | | | | | | | | | | | | | | | | | | |
| Size:mm | 250*150*0.2 | | | | | | | | | | | | | | | | | | | | | | | | | | | | | | |
| Weight:kg | 0.45 | | | | | | | | | | | | | | | | | | | | | | | | | | | | | | |
| NO. | NO.A72-47 | | | | | | | | | | | | | | | | | | | | | | | | | | | | | | |
| Part No. | 81.35113.0044 | | | | | | | | | | | | | | | | | | | | | | | | | | | | | | |
| CH part name | 太阳轮 | | | | | | | | | | | | | | | | | | | | | | | | | | | | | | |
| EN part name | Central gear | | | | | | | | | | | | | | | | | | | | | | | | | | | | | | |
| RU part name | Солнечная шестерня | | | | | | | | | | | | | | | | | | | | | | | | | | | | | | |
| Size:mm | | | | | | | | | | | | | | | | | | | | | | | | | | | | | | | |
| Weight:kg | 2.1 | | | | | | | | | | | | | | | | | | | | | | | | | | | | | | |
| NO. | NO.A72-12 | | | | | | | | | | | | | | | | | | | | | | | | | | | | | | |
| Remarks: SHACMAN F3000 F2000 X3000 M3000 8*4 6*4 MAN | | Remarks: SHACMAN F3000 F2000 X3000 M3000 8*4 6*4 MAN | | | | | | | | | | | | | | | | | | | | | | | | | | | | | |
|  | <table border="1"> <tr><td>Part No.</td><td>81.50212.0032</td></tr> <tr><td>CH part name</td><td>前后制动蹄销</td></tr> <tr><td>EN part name</td><td>Front brake shoe pin</td></tr> <tr><td>RU part name</td><td>Опорный палец тормозных колодок передн</td></tr> <tr><td>Size:mm</td><td>102*30</td></tr> <tr><td>Weight:kg</td><td>0.45</td></tr> <tr><td>NO.</td><td>NO.A72-44</td></tr> </table> | Part No. | 81.50212.0032 | CH part name | 前后制动蹄销 | EN part name | Front brake shoe pin | RU part name | Опорный палец тормозных колодок передн | Size:mm | 102*30 | Weight:kg | 0.45 | NO. | NO.A72-44 |  | <table border="1"> <tr><td>Part No.</td><td>81.35112.0029</td></tr> <tr><td>CH part name</td><td>轮边行星轮</td></tr> <tr><td>EN part name</td><td>Planet gear</td></tr> <tr><td>RU part name</td><td>Сателлиты</td></tr> <tr><td>Size:mm</td><td></td></tr> <tr><td>Weight:kg</td><td>0.91</td></tr> <tr><td>NO.</td><td>NO.A72-23</td></tr> </table> | Part No. | 81.35112.0029 | CH part name | 轮边行星轮 | EN part name | Planet gear | RU part name | Сателлиты | Size:mm | | Weight:kg | 0.91 | NO. | NO.A72-23 |
| Part No. | 81.50212.0032 | | | | | | | | | | | | | | | | | | | | | | | | | | | | | | |
| CH part name | 前后制动蹄销 | | | | | | | | | | | | | | | | | | | | | | | | | | | | | | |
| EN part name | Front brake shoe pin | | | | | | | | | | | | | | | | | | | | | | | | | | | | | | |
| RU part name | Опорный палец тормозных колодок передн | | | | | | | | | | | | | | | | | | | | | | | | | | | | | | |
| Size:mm | 102*30 | | | | | | | | | | | | | | | | | | | | | | | | | | | | | | |
| Weight:kg | 0.45 | | | | | | | | | | | | | | | | | | | | | | | | | | | | | | |
| NO. | NO.A72-44 | | | | | | | | | | | | | | | | | | | | | | | | | | | | | | |
| Part No. | 81.35112.0029 | | | | | | | | | | | | | | | | | | | | | | | | | | | | | | |
| CH part name | 轮边行星轮 | | | | | | | | | | | | | | | | | | | | | | | | | | | | | | |
| EN part name | Planet gear | | | | | | | | | | | | | | | | | | | | | | | | | | | | | | |
| RU part name | Сателлиты | | | | | | | | | | | | | | | | | | | | | | | | | | | | | | |
| Size:mm | | | | | | | | | | | | | | | | | | | | | | | | | | | | | | | |
| Weight:kg | 0.91 | | | | | | | | | | | | | | | | | | | | | | | | | | | | | | |
| NO. | NO.A72-23 | | | | | | | | | | | | | | | | | | | | | | | | | | | | | | |
| Remarks: SHACMAN F3000 F2000 X3000 M3000 8*4 6*4 MAN | | Remarks: SHACMAN F3000 F2000 X3000 M3000 8*4 6*4 MAN | | | | | | | | | | | | | | | | | | | | | | | | | | | | | |
|  | <table border="1"> <tr><td>Part No.</td><td>DZ9112346117</td></tr> <tr><td>CH part name</td><td>滚针总成 (i=3.947)</td></tr> <tr><td>EN part name</td><td>Bearing</td></tr> <tr><td>RU part name</td><td>Подшипник</td></tr> <tr><td>Size:mm</td><td></td></tr> <tr><td>Weight:kg</td><td>0.07</td></tr> <tr><td>NO.</td><td>NO.A72-24</td></tr> </table> | Part No. | DZ9112346117 | CH part name | 滚针总成 (i=3.947) | EN part name | Bearing | RU part name | Подшипник | Size:mm | | Weight:kg | 0.07 | NO. | NO.A72-24 |  | <table border="1"> <tr><td>Part No.</td><td>81.90711.0640</td></tr> <tr><td>CH part name</td><td>太阳轮垫圈</td></tr> <tr><td>EN part name</td><td>Stop washer</td></tr> <tr><td>RU part name</td><td>остановить машину</td></tr> <tr><td>Size:mm</td><td></td></tr> <tr><td>Weight:kg</td><td>0.145</td></tr> <tr><td>NO.</td><td>NO.A72-10</td></tr> </table> | Part No. | 81.90711.0640 | CH part name | 太阳轮垫圈 | EN part name | Stop washer | RU part name | остановить машину | Size:mm | | Weight:kg | 0.145 | NO. | NO.A72-10 |
| Part No. | DZ9112346117 | | | | | | | | | | | | | | | | | | | | | | | | | | | | | | |
| CH part name | 滚针总成 (i=3.947) | | | | | | | | | | | | | | | | | | | | | | | | | | | | | | |
| EN part name | Bearing | | | | | | | | | | | | | | | | | | | | | | | | | | | | | | |
| RU part name | Подшипник | | | | | | | | | | | | | | | | | | | | | | | | | | | | | | |
| Size:mm | | | | | | | | | | | | | | | | | | | | | | | | | | | | | | | |
| Weight:kg | 0.07 | | | | | | | | | | | | | | | | | | | | | | | | | | | | | | |
| NO. | NO.A72-24 | | | | | | | | | | | | | | | | | | | | | | | | | | | | | | |
| Part No. | 81.90711.0640 | | | | | | | | | | | | | | | | | | | | | | | | | | | | | | |
| CH part name | 太阳轮垫圈 | | | | | | | | | | | | | | | | | | | | | | | | | | | | | | |
| EN part name | Stop washer | | | | | | | | | | | | | | | | | | | | | | | | | | | | | | |
| RU part name | остановить машину | | | | | | | | | | | | | | | | | | | | | | | | | | | | | | |
| Size:mm | | | | | | | | | | | | | | | | | | | | | | | | | | | | | | | |
| Weight:kg | 0.145 | | | | | | | | | | | | | | | | | | | | | | | | | | | | | | |
| NO. | NO.A72-10 | | | | | | | | | | | | | | | | | | | | | | | | | | | | | | |
| Remarks: SHACMAN F3000 F2000 X3000 M3000 8*4 6*4 MAN | | Remarks: SHACMAN F3000 F2000 X3000 M3000 8*4 6*4 MAN | | | | | | | | | | | | | | | | | | | | | | | | | | | | | |

SHACMAN(1)

| | | | | | | | | | | | | | | | | | | | | | | | | | | | | | | | |
|---|--|--|---------------|--------------|-------------|--------------|-----------------------|--------------|------------------------------|---------|------------|-----------|-------|-----|------------------|---|---|----------|--------------|--------------|--------------|--------------|-----------------------------------|--------------|------------------------------|---------|-------------|-----------|------|-----|------------------|
|  | <table border="1"> <tr><td>Part No.</td><td>81.91020.0709</td></tr> <tr><td>CH part name</td><td>轮边行星齿轮</td></tr> <tr><td>EN part name</td><td>Planet gear shaft</td></tr> <tr><td>RU part name</td><td>Вал сателлита</td></tr> <tr><td>Size:mm</td><td>94*28*28</td></tr> <tr><td>Weight:kg</td><td>0.41</td></tr> <tr><td>NO.</td><td>NO.A72-22</td></tr> </table> | Part No. | 81.91020.0709 | CH part name | 轮边行星齿轮 | EN part name | Planet gear shaft | RU part name | Вал сателлита | Size:mm | 94*28*28 | Weight:kg | 0.41 | NO. | NO.A72-22 |  | <table border="1"> <tr><td>Part No.</td><td>DZ9112340775</td></tr> <tr><td>CH part name</td><td>半轴左</td></tr> <tr><td>EN part name</td><td>Drive shaft</td></tr> <tr><td>RU part name</td><td>Полуось</td></tr> <tr><td>Size:mm</td><td>1130.5*55</td></tr> <tr><td>Weight:kg</td><td>15.9</td></tr> <tr><td>NO.</td><td>NO.A72-14</td></tr> </table> | Part No. | DZ9112340775 | CH part name | 半轴左 | EN part name | Drive shaft | RU part name | Полуось | Size:mm | 1130.5*55 | Weight:kg | 15.9 | NO. | NO.A72-14 |
| Part No. | 81.91020.0709 | | | | | | | | | | | | | | | | | | | | | | | | | | | | | | |
| CH part name | 轮边行星齿轮 | | | | | | | | | | | | | | | | | | | | | | | | | | | | | | |
| EN part name | Planet gear shaft | | | | | | | | | | | | | | | | | | | | | | | | | | | | | | |
| RU part name | Вал сателлита | | | | | | | | | | | | | | | | | | | | | | | | | | | | | | |
| Size:mm | 94*28*28 | | | | | | | | | | | | | | | | | | | | | | | | | | | | | | |
| Weight:kg | 0.41 | | | | | | | | | | | | | | | | | | | | | | | | | | | | | | |
| NO. | NO.A72-22 | | | | | | | | | | | | | | | | | | | | | | | | | | | | | | |
| Part No. | DZ9112340775 | | | | | | | | | | | | | | | | | | | | | | | | | | | | | | |
| CH part name | 半轴左 | | | | | | | | | | | | | | | | | | | | | | | | | | | | | | |
| EN part name | Drive shaft | | | | | | | | | | | | | | | | | | | | | | | | | | | | | | |
| RU part name | Полуось | | | | | | | | | | | | | | | | | | | | | | | | | | | | | | |
| Size:mm | 1130.5*55 | | | | | | | | | | | | | | | | | | | | | | | | | | | | | | |
| Weight:kg | 15.9 | | | | | | | | | | | | | | | | | | | | | | | | | | | | | | |
| NO. | NO.A72-14 | | | | | | | | | | | | | | | | | | | | | | | | | | | | | | |
| Remarks: SHACMAN F3000 F2000 X3000 M3000 8*4 6*4 MAN | | Remarks: SHACMAN F3000 F2000 X3000 M3000 8*4 6*4 HDM300/1860 | | | | | | | | | | | | | | | | | | | | | | | | | | | | | |
|  | <table border="1"> <tr><td>Part No.</td><td>DZ9112340097</td></tr> <tr><td>CH part name</td><td>后制动底板 (左)</td></tr> <tr><td>EN part name</td><td>Front brake baseplate</td></tr> <tr><td>RU part name</td><td>Суппорт передний</td></tr> <tr><td>Size:mm</td><td>370*255*98</td></tr> <tr><td>Weight:kg</td><td>10.25</td></tr> <tr><td>NO.</td><td>NO.A72-51</td></tr> </table> | Part No. | DZ9112340097 | CH part name | 后制动底板 (左) | EN part name | Front brake baseplate | RU part name | Суппорт передний | Size:mm | 370*255*98 | Weight:kg | 10.25 | NO. | NO.A72-51 |  | <table border="1"> <tr><td>Part No.</td><td>DZ9112340776</td></tr> <tr><td>CH part name</td><td>半轴右</td></tr> <tr><td>EN part name</td><td>Drive shaft</td></tr> <tr><td>RU part name</td><td>Полуось</td></tr> <tr><td>Size:mm</td><td>1130.5*55</td></tr> <tr><td>Weight:kg</td><td>15.9</td></tr> <tr><td>NO.</td><td>NO.A72-14</td></tr> </table> | Part No. | DZ9112340776 | CH part name | 半轴右 | EN part name | Drive shaft | RU part name | Полуось | Size:mm | 1130.5*55 | Weight:kg | 15.9 | NO. | NO.A72-14 |
| Part No. | DZ9112340097 | | | | | | | | | | | | | | | | | | | | | | | | | | | | | | |
| CH part name | 后制动底板 (左) | | | | | | | | | | | | | | | | | | | | | | | | | | | | | | |
| EN part name | Front brake baseplate | | | | | | | | | | | | | | | | | | | | | | | | | | | | | | |
| RU part name | Суппорт передний | | | | | | | | | | | | | | | | | | | | | | | | | | | | | | |
| Size:mm | 370*255*98 | | | | | | | | | | | | | | | | | | | | | | | | | | | | | | |
| Weight:kg | 10.25 | | | | | | | | | | | | | | | | | | | | | | | | | | | | | | |
| NO. | NO.A72-51 | | | | | | | | | | | | | | | | | | | | | | | | | | | | | | |
| Part No. | DZ9112340776 | | | | | | | | | | | | | | | | | | | | | | | | | | | | | | |
| CH part name | 半轴右 | | | | | | | | | | | | | | | | | | | | | | | | | | | | | | |
| EN part name | Drive shaft | | | | | | | | | | | | | | | | | | | | | | | | | | | | | | |
| RU part name | Полуось | | | | | | | | | | | | | | | | | | | | | | | | | | | | | | |
| Size:mm | 1130.5*55 | | | | | | | | | | | | | | | | | | | | | | | | | | | | | | |
| Weight:kg | 15.9 | | | | | | | | | | | | | | | | | | | | | | | | | | | | | | |
| NO. | NO.A72-14 | | | | | | | | | | | | | | | | | | | | | | | | | | | | | | |
| Remarks: SHACMAN HDM4.266、HD469、HD485 | | Remarks: SHACMAN F3000 F2000 X3000 M3000 8*4 6*4 HDM300/1860 | | | | | | | | | | | | | | | | | | | | | | | | | | | | | |
|  | <table border="1"> <tr><td>Part No.</td><td>DZ9112340051</td></tr> <tr><td>CH part name</td><td>后制动底板 (右)</td></tr> <tr><td>EN part name</td><td>Front brake baseplate</td></tr> <tr><td>RU part name</td><td>Суппорт передний</td></tr> <tr><td>Size:mm</td><td>370*255*98</td></tr> <tr><td>Weight:kg</td><td>10.25</td></tr> <tr><td>NO.</td><td>NO.A72-51</td></tr> </table> | Part No. | DZ9112340051 | CH part name | 后制动底板 (右) | EN part name | Front brake baseplate | RU part name | Суппорт передний | Size:mm | 370*255*98 | Weight:kg | 10.25 | NO. | NO.A72-51 |  | <table border="1"> <tr><td>Part No.</td><td>DZ9112340061</td></tr> <tr><td>CH part name</td><td>制动蹄总成</td></tr> <tr><td>EN part name</td><td>Rear brake shoe with lining assy.</td></tr> <tr><td>RU part name</td><td>Колодка тормозная задняя</td></tr> <tr><td>Size:mm</td><td>372*175*185</td></tr> <tr><td>Weight:kg</td><td>10.8</td></tr> <tr><td>NO.</td><td>NO.A72-72</td></tr> </table> | Part No. | DZ9112340061 | CH part name | 制动蹄总成 | EN part name | Rear brake shoe with lining assy. | RU part name | Колодка тормозная задняя | Size:mm | 372*175*185 | Weight:kg | 10.8 | NO. | NO.A72-72 |
| Part No. | DZ9112340051 | | | | | | | | | | | | | | | | | | | | | | | | | | | | | | |
| CH part name | 后制动底板 (右) | | | | | | | | | | | | | | | | | | | | | | | | | | | | | | |
| EN part name | Front brake baseplate | | | | | | | | | | | | | | | | | | | | | | | | | | | | | | |
| RU part name | Суппорт передний | | | | | | | | | | | | | | | | | | | | | | | | | | | | | | |
| Size:mm | 370*255*98 | | | | | | | | | | | | | | | | | | | | | | | | | | | | | | |
| Weight:kg | 10.25 | | | | | | | | | | | | | | | | | | | | | | | | | | | | | | |
| NO. | NO.A72-51 | | | | | | | | | | | | | | | | | | | | | | | | | | | | | | |
| Part No. | DZ9112340061 | | | | | | | | | | | | | | | | | | | | | | | | | | | | | | |
| CH part name | 制动蹄总成 | | | | | | | | | | | | | | | | | | | | | | | | | | | | | | |
| EN part name | Rear brake shoe with lining assy. | | | | | | | | | | | | | | | | | | | | | | | | | | | | | | |
| RU part name | Колодка тормозная задняя | | | | | | | | | | | | | | | | | | | | | | | | | | | | | | |
| Size:mm | 372*175*185 | | | | | | | | | | | | | | | | | | | | | | | | | | | | | | |
| Weight:kg | 10.8 | | | | | | | | | | | | | | | | | | | | | | | | | | | | | | |
| NO. | NO.A72-72 | | | | | | | | | | | | | | | | | | | | | | | | | | | | | | |
| Remarks: SHACMAN HDM4.266、HD469、HD485 DZ9112340143 HDM300 | | Remarks: SHACMAN F3000 F2000 X3000 M3000 8*4 6*4 MAN | | | | | | | | | | | | | | | | | | | | | | | | | | | | | |
|  | <table border="1"> <tr><td>Part No.</td><td>DZ9112340140</td></tr> <tr><td>CH part name</td><td>右制动凸轮轴(19N)</td></tr> <tr><td>EN part name</td><td>Right brake camshaft</td></tr> <tr><td>RU part name</td><td>Кулак тормозной задний левый</td></tr> <tr><td>Size:mm</td><td></td></tr> <tr><td>Weight:kg</td><td>5.6</td></tr> <tr><td>NO.</td><td>NO.A72-48</td></tr> </table> | Part No. | DZ9112340140 | CH part name | 右制动凸轮轴(19N) | EN part name | Right brake camshaft | RU part name | Кулак тормозной задний левый | Size:mm | | Weight:kg | 5.6 | NO. | NO.A72-48 |  | <table border="1"> <tr><td>Part No.</td><td>DZ9112340139</td></tr> <tr><td>CH part name</td><td>左制动凸轮轴 (19N)</td></tr> <tr><td>EN part name</td><td>Left brake camshaft</td></tr> <tr><td>RU part name</td><td>Кулак тормозной задний левый</td></tr> <tr><td>Size:mm</td><td></td></tr> <tr><td>Weight:kg</td><td>5.6</td></tr> <tr><td>NO.</td><td>NO.A72-48</td></tr> </table> | Part No. | DZ9112340139 | CH part name | 左制动凸轮轴 (19N) | EN part name | Left brake camshaft | RU part name | Кулак тормозной задний левый | Size:mm | | Weight:kg | 5.6 | NO. | NO.A72-48 |
| Part No. | DZ9112340140 | | | | | | | | | | | | | | | | | | | | | | | | | | | | | | |
| CH part name | 右制动凸轮轴(19N) | | | | | | | | | | | | | | | | | | | | | | | | | | | | | | |
| EN part name | Right brake camshaft | | | | | | | | | | | | | | | | | | | | | | | | | | | | | | |
| RU part name | Кулак тормозной задний левый | | | | | | | | | | | | | | | | | | | | | | | | | | | | | | |
| Size:mm | | | | | | | | | | | | | | | | | | | | | | | | | | | | | | | |
| Weight:kg | 5.6 | | | | | | | | | | | | | | | | | | | | | | | | | | | | | | |
| NO. | NO.A72-48 | | | | | | | | | | | | | | | | | | | | | | | | | | | | | | |
| Part No. | DZ9112340139 | | | | | | | | | | | | | | | | | | | | | | | | | | | | | | |
| CH part name | 左制动凸轮轴 (19N) | | | | | | | | | | | | | | | | | | | | | | | | | | | | | | |
| EN part name | Left brake camshaft | | | | | | | | | | | | | | | | | | | | | | | | | | | | | | |
| RU part name | Кулак тормозной задний левый | | | | | | | | | | | | | | | | | | | | | | | | | | | | | | |
| Size:mm | | | | | | | | | | | | | | | | | | | | | | | | | | | | | | | |
| Weight:kg | 5.6 | | | | | | | | | | | | | | | | | | | | | | | | | | | | | | |
| NO. | NO.A72-48 | | | | | | | | | | | | | | | | | | | | | | | | | | | | | | |
| Remarks: SHACMAN F3000 F2000 X3000 M3000 8*4 6*4 MAN | | Remarks: SHACMAN F3000 F2000 X3000 M3000 8*4 6*4 MAN | | | | | | | | | | | | | | | | | | | | | | | | | | | | | |

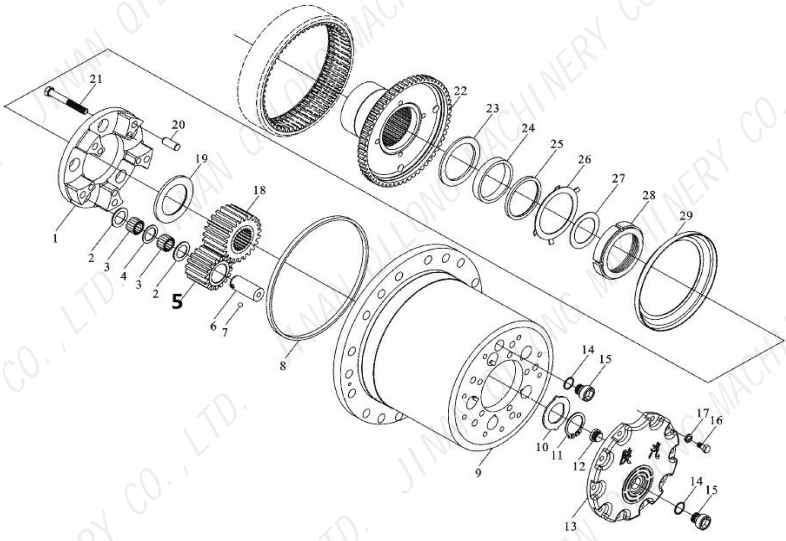






SHACMAN(1)

| | | | | | | | | | | | | | | | | | | | | | | | | | | | | | | | |
|---|--|---|---------------|--------------|----------------|--------------|---------------------------|--------------|---|---------|-------------|-----------|-----|-----|------------------|---|---|----------|---------------|--------------|----------------|--------------|---------------------------|--------------|---|---------|-------------|-----------|------|-----|------------------|
|  | <table border="1"> <tr><td>Part No.</td><td>81.50610.6214</td></tr> <tr><td>CH part name</td><td>自动间隙调整臂右 (中桥)</td></tr> <tr><td>EN part name</td><td>Left slack adjusting arm</td></tr> <tr><td>RU part name</td><td>Рычаг привода тормозов задней оси левый</td></tr> <tr><td>Size:mm</td><td>300*180*70</td></tr> <tr><td>Weight:kg</td><td>3</td></tr> <tr><td>NO.</td><td>NO.A72-57</td></tr> </table> | Part No. | 81.50610.6214 | CH part name | 自动间隙调整臂右 (中桥) | EN part name | Left slack adjusting arm | RU part name | Рычаг привода тормозов задней оси левый | Size:mm | 300*180*70 | Weight:kg | 3 | NO. | NO.A72-57 |  | <table border="1"> <tr><td>Part No.</td><td>81.50610.6215</td></tr> <tr><td>CH part name</td><td>自动调整臂左 (中桥)</td></tr> <tr><td>EN part name</td><td>Right slack adjusting arm</td></tr> <tr><td>RU part name</td><td>Рычаг привода тормозов задней оси левый</td></tr> <tr><td>Size:mm</td><td>300*180*70</td></tr> <tr><td>Weight:kg</td><td>3</td></tr> <tr><td>NO.</td><td>NO.A72-57</td></tr> </table> | Part No. | 81.50610.6215 | CH part name | 自动调整臂左 (中桥) | EN part name | Right slack adjusting arm | RU part name | Рычаг привода тормозов задней оси левый | Size:mm | 300*180*70 | Weight:kg | 3 | NO. | NO.A72-57 |
| Part No. | 81.50610.6214 | | | | | | | | | | | | | | | | | | | | | | | | | | | | | | |
| CH part name | 自动间隙调整臂右 (中桥) | | | | | | | | | | | | | | | | | | | | | | | | | | | | | | |
| EN part name | Left slack adjusting arm | | | | | | | | | | | | | | | | | | | | | | | | | | | | | | |
| RU part name | Рычаг привода тормозов задней оси левый | | | | | | | | | | | | | | | | | | | | | | | | | | | | | | |
| Size:mm | 300*180*70 | | | | | | | | | | | | | | | | | | | | | | | | | | | | | | |
| Weight:kg | 3 | | | | | | | | | | | | | | | | | | | | | | | | | | | | | | |
| NO. | NO.A72-57 | | | | | | | | | | | | | | | | | | | | | | | | | | | | | | |
| Part No. | 81.50610.6215 | | | | | | | | | | | | | | | | | | | | | | | | | | | | | | |
| CH part name | 自动调整臂左 (中桥) | | | | | | | | | | | | | | | | | | | | | | | | | | | | | | |
| EN part name | Right slack adjusting arm | | | | | | | | | | | | | | | | | | | | | | | | | | | | | | |
| RU part name | Рычаг привода тормозов задней оси левый | | | | | | | | | | | | | | | | | | | | | | | | | | | | | | |
| Size:mm | 300*180*70 | | | | | | | | | | | | | | | | | | | | | | | | | | | | | | |
| Weight:kg | 3 | | | | | | | | | | | | | | | | | | | | | | | | | | | | | | |
| NO. | NO.A72-57 | | | | | | | | | | | | | | | | | | | | | | | | | | | | | | |
| Remarks: SHACMAN F3000 F2000 X3000 M3000 8*4 6*4 MAN DZ9100340046 | | Remarks: SHACMAN F3000 F2000 X3000 M3000 8*4 6*4 MAN DZ9100340045 | | | | | | | | | | | | | | | | | | | | | | | | | | | | | |
|  | <table border="1"> <tr><td>Part No.</td><td>81.50610.6211</td></tr> <tr><td>CH part name</td><td>自动间隙调整臂 (左) 后桥</td></tr> <tr><td>EN part name</td><td>Right slack adjusting arm</td></tr> <tr><td>RU part name</td><td>Рычаг привода тормозов задней оси левый</td></tr> <tr><td>Size:mm</td><td>300*180*70</td></tr> <tr><td>Weight:kg</td><td>3</td></tr> <tr><td>NO.</td><td>NO.A72-57</td></tr> </table> | Part No. | 81.50610.6211 | CH part name | 自动间隙调整臂 (左) 后桥 | EN part name | Right slack adjusting arm | RU part name | Рычаг привода тормозов задней оси левый | Size:mm | 300*180*70 | Weight:kg | 3 | NO. | NO.A72-57 |  | <table border="1"> <tr><td>Part No.</td><td>81.50610.6210</td></tr> <tr><td>CH part name</td><td>自动间隙调整臂 (右) 后桥</td></tr> <tr><td>EN part name</td><td>Left slack adjusting arm</td></tr> <tr><td>RU part name</td><td>Рычаг привода тормозов задней оси левый</td></tr> <tr><td>Size:mm</td><td>300*180*70</td></tr> <tr><td>Weight:kg</td><td>3</td></tr> <tr><td>NO.</td><td>NO.A72-57</td></tr> </table> | Part No. | 81.50610.6210 | CH part name | 自动间隙调整臂 (右) 后桥 | EN part name | Left slack adjusting arm | RU part name | Рычаг привода тормозов задней оси левый | Size:mm | 300*180*70 | Weight:kg | 3 | NO. | NO.A72-57 |
| Part No. | 81.50610.6211 | | | | | | | | | | | | | | | | | | | | | | | | | | | | | | |
| CH part name | 自动间隙调整臂 (左) 后桥 | | | | | | | | | | | | | | | | | | | | | | | | | | | | | | |
| EN part name | Right slack adjusting arm | | | | | | | | | | | | | | | | | | | | | | | | | | | | | | |
| RU part name | Рычаг привода тормозов задней оси левый | | | | | | | | | | | | | | | | | | | | | | | | | | | | | | |
| Size:mm | 300*180*70 | | | | | | | | | | | | | | | | | | | | | | | | | | | | | | |
| Weight:kg | 3 | | | | | | | | | | | | | | | | | | | | | | | | | | | | | | |
| NO. | NO.A72-57 | | | | | | | | | | | | | | | | | | | | | | | | | | | | | | |
| Part No. | 81.50610.6210 | | | | | | | | | | | | | | | | | | | | | | | | | | | | | | |
| CH part name | 自动间隙调整臂 (右) 后桥 | | | | | | | | | | | | | | | | | | | | | | | | | | | | | | |
| EN part name | Left slack adjusting arm | | | | | | | | | | | | | | | | | | | | | | | | | | | | | | |
| RU part name | Рычаг привода тормозов задней оси левый | | | | | | | | | | | | | | | | | | | | | | | | | | | | | | |
| Size:mm | 300*180*70 | | | | | | | | | | | | | | | | | | | | | | | | | | | | | | |
| Weight:kg | 3 | | | | | | | | | | | | | | | | | | | | | | | | | | | | | | |
| NO. | NO.A72-57 | | | | | | | | | | | | | | | | | | | | | | | | | | | | | | |
| Remarks: SHACMAN F3000 F2000 X3000 M3000 8*4 6*4 MAN DZ9100340043 | | Remarks: SHACMAN F3000 F2000 X3000 M3000 8*4 6*4 MAN DZ9100340044 | | | | | | | | | | | | | | | | | | | | | | | | | | | | | |
|  | <table border="1"> <tr><td>Part No.</td><td>DZ9112340062</td></tr> <tr><td>CH part name</td><td>后制动蹄上摩擦片</td></tr> <tr><td>EN part name</td><td>Upper brake lining</td></tr> <tr><td>RU part name</td><td>Накладка тормозная верхняя</td></tr> <tr><td>Size:mm</td><td></td></tr> <tr><td>Weight:kg</td><td>1.2</td></tr> <tr><td>NO.</td><td>NO.A72-69</td></tr> </table> | Part No. | DZ9112340062 | CH part name | 后制动蹄上摩擦片 | EN part name | Upper brake lining | RU part name | Накладка тормозная верхняя | Size:mm | | Weight:kg | 1.2 | NO. | NO.A72-69 |  | <table border="1"> <tr><td>Part No.</td><td>DZ9112340063</td></tr> <tr><td>CH part name</td><td>后制动蹄下摩擦片</td></tr> <tr><td>EN part name</td><td>Lower brake lining</td></tr> <tr><td>RU part name</td><td>Накладка тормозная верхняя</td></tr> <tr><td>Size:mm</td><td></td></tr> <tr><td>Weight:kg</td><td>1.34</td></tr> <tr><td>NO.</td><td>NO.A72-69</td></tr> </table> | Part No. | DZ9112340063 | CH part name | 后制动蹄下摩擦片 | EN part name | Lower brake lining | RU part name | Накладка тормозная верхняя | Size:mm | | Weight:kg | 1.34 | NO. | NO.A72-69 |
| Part No. | DZ9112340062 | | | | | | | | | | | | | | | | | | | | | | | | | | | | | | |
| CH part name | 后制动蹄上摩擦片 | | | | | | | | | | | | | | | | | | | | | | | | | | | | | | |
| EN part name | Upper brake lining | | | | | | | | | | | | | | | | | | | | | | | | | | | | | | |
| RU part name | Накладка тормозная верхняя | | | | | | | | | | | | | | | | | | | | | | | | | | | | | | |
| Size:mm | | | | | | | | | | | | | | | | | | | | | | | | | | | | | | | |
| Weight:kg | 1.2 | | | | | | | | | | | | | | | | | | | | | | | | | | | | | | |
| NO. | NO.A72-69 | | | | | | | | | | | | | | | | | | | | | | | | | | | | | | |
| Part No. | DZ9112340063 | | | | | | | | | | | | | | | | | | | | | | | | | | | | | | |
| CH part name | 后制动蹄下摩擦片 | | | | | | | | | | | | | | | | | | | | | | | | | | | | | | |
| EN part name | Lower brake lining | | | | | | | | | | | | | | | | | | | | | | | | | | | | | | |
| RU part name | Накладка тормозная верхняя | | | | | | | | | | | | | | | | | | | | | | | | | | | | | | |
| Size:mm | | | | | | | | | | | | | | | | | | | | | | | | | | | | | | | |
| Weight:kg | 1.34 | | | | | | | | | | | | | | | | | | | | | | | | | | | | | | |
| NO. | NO.A72-69 | | | | | | | | | | | | | | | | | | | | | | | | | | | | | | |
| Remarks: SHACMAN F3000 F2000 X3000 M3000 8*4 6*4 MAN | | Remarks: SHACMAN F3000 F2000 X3000 M3000 8*4 6*4 MAN | | | | | | | | | | | | | | | | | | | | | | | | | | | | | |
|  | <table border="1"> <tr><td>Part No.</td><td>DZ95189363001</td></tr> <tr><td>CH part name</td><td>膜片弹簧制动气室</td></tr> <tr><td>EN part name</td><td>Rear brake cylinder</td></tr> <tr><td>RU part name</td><td>Тормозная камера задняя</td></tr> <tr><td>Size:mm</td><td>650*240*240</td></tr> <tr><td>Weight:kg</td><td>8.9</td></tr> <tr><td>NO.</td><td>NO.A72</td></tr> </table> | Part No. | DZ95189363001 | CH part name | 膜片弹簧制动气室 | EN part name | Rear brake cylinder | RU part name | Тормозная камера задняя | Size:mm | 650*240*240 | Weight:kg | 8.9 | NO. | NO.A72 |  | <table border="1"> <tr><td>Part No.</td><td>DZ95189363003</td></tr> <tr><td>CH part name</td><td>膜片弹簧制动气室(左)</td></tr> <tr><td>EN part name</td><td>Rear brake cylinder</td></tr> <tr><td>RU part name</td><td>Тормозная камера задняя</td></tr> <tr><td>Size:mm</td><td>650*240*240</td></tr> <tr><td>Weight:kg</td><td>8.9</td></tr> <tr><td>NO.</td><td>NO.A72</td></tr> </table> | Part No. | DZ95189363003 | CH part name | 膜片弹簧制动气室(左) | EN part name | Rear brake cylinder | RU part name | Тормозная камера задняя | Size:mm | 650*240*240 | Weight:kg | 8.9 | NO. | NO.A72 |
| Part No. | DZ95189363001 | | | | | | | | | | | | | | | | | | | | | | | | | | | | | | |
| CH part name | 膜片弹簧制动气室 | | | | | | | | | | | | | | | | | | | | | | | | | | | | | | |
| EN part name | Rear brake cylinder | | | | | | | | | | | | | | | | | | | | | | | | | | | | | | |
| RU part name | Тормозная камера задняя | | | | | | | | | | | | | | | | | | | | | | | | | | | | | | |
| Size:mm | 650*240*240 | | | | | | | | | | | | | | | | | | | | | | | | | | | | | | |
| Weight:kg | 8.9 | | | | | | | | | | | | | | | | | | | | | | | | | | | | | | |
| NO. | NO.A72 | | | | | | | | | | | | | | | | | | | | | | | | | | | | | | |
| Part No. | DZ95189363003 | | | | | | | | | | | | | | | | | | | | | | | | | | | | | | |
| CH part name | 膜片弹簧制动气室(左) | | | | | | | | | | | | | | | | | | | | | | | | | | | | | | |
| EN part name | Rear brake cylinder | | | | | | | | | | | | | | | | | | | | | | | | | | | | | | |
| RU part name | Тормозная камера задняя | | | | | | | | | | | | | | | | | | | | | | | | | | | | | | |
| Size:mm | 650*240*240 | | | | | | | | | | | | | | | | | | | | | | | | | | | | | | |
| Weight:kg | 8.9 | | | | | | | | | | | | | | | | | | | | | | | | | | | | | | |
| NO. | NO.A72 | | | | | | | | | | | | | | | | | | | | | | | | | | | | | | |
| Remarks: SHACMAN F3000 F2000 X3000 M3000 8*4 6*4 MAN DZ91189360020 | | Remarks: SHACMAN F3000 F2000 X3000 M3000 8*4 6*4 MAN | | | | | | | | | | | | | | | | | | | | | | | | | | | | | |







SHACMAN(1)

| | | | | | | | | | | | | | | | | | | | | | | | | | | | | | | | |
|---|---|---|---------------|--------------|-------------|--------------|---------------------|--------------|-------------------------|---------|-------------|-----------|-------|-----|------------------|---|---|----------|---------------|--------------|----------|--------------|--------------------------------|--------------|--------------------------------------|---------|-----------|-----------|------|-----|------------------|
|  | <table border="1"> <tr><td>Part No.</td><td>DZ95189363002</td></tr> <tr><td>CH part name</td><td>膜片弹簧制动气室(右)</td></tr> <tr><td>EN part name</td><td>Rear brake cylinder</td></tr> <tr><td>RU part name</td><td>Тормозная камера задняя</td></tr> <tr><td>Size:mm</td><td>650*240*240</td></tr> <tr><td>Weight:kg</td><td>8.9</td></tr> <tr><td>NO.</td><td>NO.A72</td></tr> </table> | Part No. | DZ95189363002 | CH part name | 膜片弹簧制动气室(右) | EN part name | Rear brake cylinder | RU part name | Тормозная камера задняя | Size:mm | 650*240*240 | Weight:kg | 8.9 | NO. | NO.A72 |  | <table border="1"> <tr><td>Part No.</td><td>81.50213.0013</td></tr> <tr><td>CH part name</td><td>滚轮总成</td></tr> <tr><td>EN part name</td><td>Roller</td></tr> <tr><td>RU part name</td><td>Ролик</td></tr> <tr><td>Size:mm</td><td>63*36*36</td></tr> <tr><td>Weight:kg</td><td>0.32</td></tr> <tr><td>NO.</td><td>NO.A72-73</td></tr> </table> | Part No. | 81.50213.0013 | CH part name | 滚轮总成 | EN part name | Roller | RU part name | Ролик | Size:mm | 63*36*36 | Weight:kg | 0.32 | NO. | NO.A72-73 |
| Part No. | DZ95189363002 | | | | | | | | | | | | | | | | | | | | | | | | | | | | | | |
| CH part name | 膜片弹簧制动气室(右) | | | | | | | | | | | | | | | | | | | | | | | | | | | | | | |
| EN part name | Rear brake cylinder | | | | | | | | | | | | | | | | | | | | | | | | | | | | | | |
| RU part name | Тормозная камера задняя | | | | | | | | | | | | | | | | | | | | | | | | | | | | | | |
| Size:mm | 650*240*240 | | | | | | | | | | | | | | | | | | | | | | | | | | | | | | |
| Weight:kg | 8.9 | | | | | | | | | | | | | | | | | | | | | | | | | | | | | | |
| NO. | NO.A72 | | | | | | | | | | | | | | | | | | | | | | | | | | | | | | |
| Part No. | 81.50213.0013 | | | | | | | | | | | | | | | | | | | | | | | | | | | | | | |
| CH part name | 滚轮总成 | | | | | | | | | | | | | | | | | | | | | | | | | | | | | | |
| EN part name | Roller | | | | | | | | | | | | | | | | | | | | | | | | | | | | | | |
| RU part name | Ролик | | | | | | | | | | | | | | | | | | | | | | | | | | | | | | |
| Size:mm | 63*36*36 | | | | | | | | | | | | | | | | | | | | | | | | | | | | | | |
| Weight:kg | 0.32 | | | | | | | | | | | | | | | | | | | | | | | | | | | | | | |
| NO. | NO.A72-73 | | | | | | | | | | | | | | | | | | | | | | | | | | | | | | |
| Remarks: SHACMAN F3000 F2000 X3000 M3000 8*4 6*4 MAN | | Remarks: SHACMAN F3000 F2000 X3000M3000 8*4 6*4 MAN 81.93021.0220 | | | | | | | | | | | | | | | | | | | | | | | | | | | | | |
|  | <table border="1"> <tr><td>Part No.</td><td>81.93021.0117</td></tr> <tr><td>CH part name</td><td>前后制动蹄衬套</td></tr> <tr><td>EN part name</td><td>Bush</td></tr> <tr><td>RU part name</td><td>буш</td></tr> <tr><td>Size:mm</td><td></td></tr> <tr><td>Weight:kg</td><td>0.043</td></tr> <tr><td>NO.</td><td>NO.A72-76</td></tr> </table> | Part No. | 81.93021.0117 | CH part name | 前后制动蹄衬套 | EN part name | Bush | RU part name | буш | Size:mm | | Weight:kg | 0.043 | NO. | NO.A72-76 |  | <table border="1"> <tr><td>Part No.</td><td>81.97610.0115</td></tr> <tr><td>CH part name</td><td>前后制动蹄回位簧</td></tr> <tr><td>EN part name</td><td>Front brake shoe return spring</td></tr> <tr><td>RU part name</td><td>Стяжная пружина</td></tr> <tr><td>Size:mm</td><td>270*30*30</td></tr> <tr><td>Weight:kg</td><td>0.21</td></tr> <tr><td>NO.</td><td>NO.A72-46</td></tr> </table> | Part No. | 81.97610.0115 | CH part name | 前后制动蹄回位簧 | EN part name | Front brake shoe return spring | RU part name | Стяжная пружина | Size:mm | 270*30*30 | Weight:kg | 0.21 | NO. | NO.A72-46 |
| Part No. | 81.93021.0117 | | | | | | | | | | | | | | | | | | | | | | | | | | | | | | |
| CH part name | 前后制动蹄衬套 | | | | | | | | | | | | | | | | | | | | | | | | | | | | | | |
| EN part name | Bush | | | | | | | | | | | | | | | | | | | | | | | | | | | | | | |
| RU part name | буш | | | | | | | | | | | | | | | | | | | | | | | | | | | | | | |
| Size:mm | | | | | | | | | | | | | | | | | | | | | | | | | | | | | | | |
| Weight:kg | 0.043 | | | | | | | | | | | | | | | | | | | | | | | | | | | | | | |
| NO. | NO.A72-76 | | | | | | | | | | | | | | | | | | | | | | | | | | | | | | |
| Part No. | 81.97610.0115 | | | | | | | | | | | | | | | | | | | | | | | | | | | | | | |
| CH part name | 前后制动蹄回位簧 | | | | | | | | | | | | | | | | | | | | | | | | | | | | | | |
| EN part name | Front brake shoe return spring | | | | | | | | | | | | | | | | | | | | | | | | | | | | | | |
| RU part name | Стяжная пружина | | | | | | | | | | | | | | | | | | | | | | | | | | | | | | |
| Size:mm | 270*30*30 | | | | | | | | | | | | | | | | | | | | | | | | | | | | | | |
| Weight:kg | 0.21 | | | | | | | | | | | | | | | | | | | | | | | | | | | | | | |
| NO. | NO.A72-46 | | | | | | | | | | | | | | | | | | | | | | | | | | | | | | |
| Remarks: SHACMAN F3000 F2000 X3000 M3000 8*4 6*4 MAN | | Remarks: SHACMAN F3000 F2000 X3000 M3000 8*4 6*4 MAN 7.5t 9.5t | | | | | | | | | | | | | | | | | | | | | | | | | | | | | |
|  | <table border="1"> <tr><td>Part No.</td><td>199012340122</td></tr> <tr><td>CH part name</td><td>轮边行星齿轮</td></tr> <tr><td>EN part name</td><td>Planet gear</td></tr> <tr><td>RU part name</td><td>Сателлиты</td></tr> <tr><td>Size:mm</td><td>73*40*56</td></tr> <tr><td>Weight:kg</td><td>0.92</td></tr> <tr><td>NO.</td><td>NO.73-5</td></tr> </table> | Part No. | 199012340122 | CH part name | 轮边行星齿轮 | EN part name | Planet gear | RU part name | Сателлиты | Size:mm | 73*40*56 | Weight:kg | 0.92 | NO. | NO.73-5 |  | <table border="1"> <tr><td>Part No.</td><td>81.50211.0018</td></tr> <tr><td>CH part name</td><td>前后回位弹簧销</td></tr> <tr><td>EN part name</td><td>Return spring pin</td></tr> <tr><td>RU part name</td><td>Пружина возвратная тормозных колодок</td></tr> <tr><td>Size:mm</td><td></td></tr> <tr><td>Weight:kg</td><td>0.05</td></tr> <tr><td>NO.</td><td>NO.A72-45</td></tr> </table> | Part No. | 81.50211.0018 | CH part name | 前后回位弹簧销 | EN part name | Return spring pin | RU part name | Пружина возвратная тормозных колодок | Size:mm | | Weight:kg | 0.05 | NO. | NO.A72-45 |
| Part No. | 199012340122 | | | | | | | | | | | | | | | | | | | | | | | | | | | | | | |
| CH part name | 轮边行星齿轮 | | | | | | | | | | | | | | | | | | | | | | | | | | | | | | |
| EN part name | Planet gear | | | | | | | | | | | | | | | | | | | | | | | | | | | | | | |
| RU part name | Сателлиты | | | | | | | | | | | | | | | | | | | | | | | | | | | | | | |
| Size:mm | 73*40*56 | | | | | | | | | | | | | | | | | | | | | | | | | | | | | | |
| Weight:kg | 0.92 | | | | | | | | | | | | | | | | | | | | | | | | | | | | | | |
| NO. | NO.73-5 | | | | | | | | | | | | | | | | | | | | | | | | | | | | | | |
| Part No. | 81.50211.0018 | | | | | | | | | | | | | | | | | | | | | | | | | | | | | | |
| CH part name | 前后回位弹簧销 | | | | | | | | | | | | | | | | | | | | | | | | | | | | | | |
| EN part name | Return spring pin | | | | | | | | | | | | | | | | | | | | | | | | | | | | | | |
| RU part name | Пружина возвратная тормозных колодок | | | | | | | | | | | | | | | | | | | | | | | | | | | | | | |
| Size:mm | | | | | | | | | | | | | | | | | | | | | | | | | | | | | | | |
| Weight:kg | 0.05 | | | | | | | | | | | | | | | | | | | | | | | | | | | | | | |
| NO. | NO.A72-45 | | | | | | | | | | | | | | | | | | | | | | | | | | | | | | |
| Remarks: SHACMAN F3000 F2000 X3000 M3000 8*4 6*4 STEYR | | Remarks: SHACMAN F3000 F2000 X3000 M3000 8*4 6*4 MAN | | | | | | | | | | | | | | | | | | | | | | | | | | | | | |
|  | <table border="1"> <tr><td>Part No.</td><td>1-99-934-013</td></tr> <tr><td>CH part name</td><td>轮边轴承</td></tr> <tr><td>EN part name</td><td>Bearing</td></tr> <tr><td>RU part name</td><td>Подшипник</td></tr> <tr><td>Size:mm</td><td>30*30*45</td></tr> <tr><td>Weight:kg</td><td>0.05</td></tr> <tr><td>NO.</td><td>NO.73-3</td></tr> </table> | Part No. | 1-99-934-013 | CH part name | 轮边轴承 | EN part name | Bearing | RU part name | Подшипник | Size:mm | 30*30*45 | Weight:kg | 0.05 | NO. | NO.73-3 |  | <table border="1"> <tr><td>Part No.</td><td>199012340004</td></tr> <tr><td>CH part name</td><td>行星轮轴</td></tr> <tr><td>EN part name</td><td>Planet gear shaft</td></tr> <tr><td>RU part name</td><td>Вал сателлита</td></tr> <tr><td>Size:mm</td><td>94*28*28</td></tr> <tr><td>Weight:kg</td><td>0.41</td></tr> <tr><td>NO.</td><td>NO.73-6</td></tr> </table> | Part No. | 199012340004 | CH part name | 行星轮轴 | EN part name | Planet gear shaft | RU part name | Вал сателлита | Size:mm | 94*28*28 | Weight:kg | 0.41 | NO. | NO.73-6 |
| Part No. | 1-99-934-013 | | | | | | | | | | | | | | | | | | | | | | | | | | | | | | |
| CH part name | 轮边轴承 | | | | | | | | | | | | | | | | | | | | | | | | | | | | | | |
| EN part name | Bearing | | | | | | | | | | | | | | | | | | | | | | | | | | | | | | |
| RU part name | Подшипник | | | | | | | | | | | | | | | | | | | | | | | | | | | | | | |
| Size:mm | 30*30*45 | | | | | | | | | | | | | | | | | | | | | | | | | | | | | | |
| Weight:kg | 0.05 | | | | | | | | | | | | | | | | | | | | | | | | | | | | | | |
| NO. | NO.73-3 | | | | | | | | | | | | | | | | | | | | | | | | | | | | | | |
| Part No. | 199012340004 | | | | | | | | | | | | | | | | | | | | | | | | | | | | | | |
| CH part name | 行星轮轴 | | | | | | | | | | | | | | | | | | | | | | | | | | | | | | |
| EN part name | Planet gear shaft | | | | | | | | | | | | | | | | | | | | | | | | | | | | | | |
| RU part name | Вал сателлита | | | | | | | | | | | | | | | | | | | | | | | | | | | | | | |
| Size:mm | 94*28*28 | | | | | | | | | | | | | | | | | | | | | | | | | | | | | | |
| Weight:kg | 0.41 | | | | | | | | | | | | | | | | | | | | | | | | | | | | | | |
| NO. | NO.73-6 | | | | | | | | | | | | | | | | | | | | | | | | | | | | | | |
| Remarks: SHACMAN F3000 F2000 X3000 M3000 8*4 6*4 MAN | | Remarks: SHACMAN F3000 F2000 X3000 M3000 8*4 6*4 STEYR | | | | | | | | | | | | | | | | | | | | | | | | | | | | | |

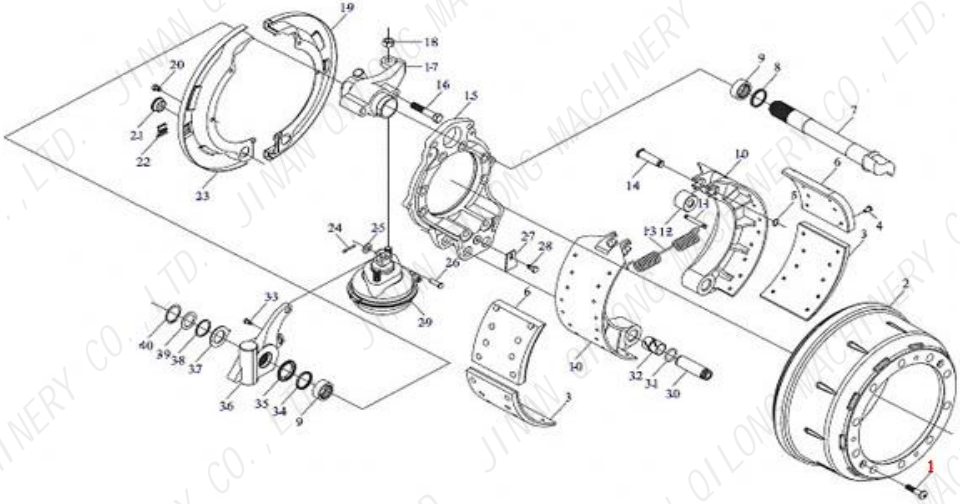






SHACMAN(1)

| WHEEL DISC PLANETARY SPEED REDUCER II REAR AXLE | | NO.73 | | | | | | | | | | | | | | | |
|---|---|---|---|--------------|---------------|--------------|----------------------|--------------|----------------------------|--------------|-----------------|-----------|------|-----------|-----------------|-----|-----------------|
|  | | KD1392 | | | | | | | | | | | | | | | |
| | |  | <table border="1"> <tr><td>Part No.</td><td>DZ91129340107</td></tr> <tr><td>CH part name</td><td>齿圈支架</td></tr> <tr><td>EN part name</td><td>Gear ring bearer</td></tr> <tr><td>RU part name</td><td>передача кольца</td></tr> <tr><td>Size:mm</td><td></td></tr> <tr><td>Weight:kg</td><td>5.65</td></tr> <tr><td>NO.</td><td>NO.73-22</td></tr> </table> | Part No. | DZ91129340107 | CH part name | 齿圈支架 | EN part name | Gear ring bearer | RU part name | передача кольца | Size:mm | | Weight:kg | 5.65 | NO. | NO.73-22 |
| | | Part No. | DZ91129340107 | | | | | | | | | | | | | | |
| | | CH part name | 齿圈支架 | | | | | | | | | | | | | | |
| | | EN part name | Gear ring bearer | | | | | | | | | | | | | | |
| | | RU part name | передача кольца | | | | | | | | | | | | | | |
| | | Size:mm | | | | | | | | | | | | | | | |
| | | Weight:kg | 5.65 | | | | | | | | | | | | | | |
| | | NO. | NO.73-22 | | | | | | | | | | | | | | |
| | | Remarks: SHACMAN F3000 F2000 X3000 M3000 8*4 6*4 STEYR | | | | | | | | | | | | | | | |
| KD1393 | | | | | | | | | | | | | | | | | |
|  | <table border="1"> <tr><td>Part No.</td><td>DZ91129340025</td></tr> <tr><td>CH part name</td><td>轮边端盖</td></tr> <tr><td>EN part name</td><td>Cover</td></tr> <tr><td>RU part name</td><td>Крышка</td></tr> <tr><td>Size:mm</td><td>235*20</td></tr> <tr><td>Weight:kg</td><td>2</td></tr> <tr><td>NO.</td><td>NO.73-13</td></tr> </table> | Part No. | DZ91129340025 | CH part name | 轮边端盖 | EN part name | Cover | RU part name | Крышка | Size:mm | 235*20 | Weight:kg | 2 | NO. | NO.73-13 | | |
| Part No. | DZ91129340025 | | | | | | | | | | | | | | | | |
| CH part name | 轮边端盖 | | | | | | | | | | | | | | | | |
| EN part name | Cover | | | | | | | | | | | | | | | | |
| RU part name | Крышка | | | | | | | | | | | | | | | | |
| Size:mm | 235*20 | | | | | | | | | | | | | | | | |
| Weight:kg | 2 | | | | | | | | | | | | | | | | |
| NO. | NO.73-13 | | | | | | | | | | | | | | | | |
| Remarks: SHACMAN F3000 F2000 X3000 M3000 8*4 6*4 STEYR DZ9112340214 | | | | | | | | | | | | | | | | | |
| KD1394 | | | | | | | | | | | | | | | | | |
|  | <table border="1"> <tr><td>Part No.</td><td>199112340029</td></tr> <tr><td>CH part name</td><td>轮边减速器壳</td></tr> <tr><td>EN part name</td><td>Hub redactor case</td></tr> <tr><td>RU part name</td><td>redactor дело</td></tr> <tr><td>Size:mm</td><td>375*375*250</td></tr> <tr><td>Weight:kg</td><td>15.5</td></tr> <tr><td>NO.</td><td>NO.73-9</td></tr> </table> | Part No. | 199112340029 | CH part name | 轮边减速器壳 | EN part name | Hub redactor case | RU part name | redactor дело | Size:mm | 375*375*250 | Weight:kg | 15.5 | NO. | NO.73-9 | | |
| Part No. | 199112340029 | | | | | | | | | | | | | | | | |
| CH part name | 轮边减速器壳 | | | | | | | | | | | | | | | | |
| EN part name | Hub redactor case | | | | | | | | | | | | | | | | |
| RU part name | redactor дело | | | | | | | | | | | | | | | | |
| Size:mm | 375*375*250 | | | | | | | | | | | | | | | | |
| Weight:kg | 15.5 | | | | | | | | | | | | | | | | |
| NO. | NO.73-9 | | | | | | | | | | | | | | | | |
| Remarks: SHACMAN F3000 F2000 X3000 M3000 8*4 6*4 STEYR | | | | | | | | | | | | | | | | | |
| KD1395 | | | | | | | | | | | | | | | | | |
|  | <table border="1"> <tr><td>Part No.</td><td>FDZ9112342010</td></tr> <tr><td>CH part name</td><td>轮边行星架总成</td></tr> <tr><td>EN part name</td><td>Planet carrier assy.</td></tr> <tr><td>RU part name</td><td>Планета кареткой</td></tr> <tr><td>Size:mm</td><td>375*375*250</td></tr> <tr><td>Weight:kg</td><td>33.5</td></tr> <tr><td>NO.</td><td>NO.73-9</td></tr> </table> | Part No. | FDZ9112342010 | CH part name | 轮边行星架总成 | EN part name | Planet carrier assy. | RU part name | Планета кареткой | Size:mm | 375*375*250 | Weight:kg | 33.5 | NO. | NO.73-9 | | |
| Part No. | FDZ9112342010 | | | | | | | | | | | | | | | | |
| CH part name | 轮边行星架总成 | | | | | | | | | | | | | | | | |
| EN part name | Planet carrier assy. | | | | | | | | | | | | | | | | |
| RU part name | Планета кареткой | | | | | | | | | | | | | | | | |
| Size:mm | 375*375*250 | | | | | | | | | | | | | | | | |
| Weight:kg | 33.5 | | | | | | | | | | | | | | | | |
| NO. | NO.73-9 | | | | | | | | | | | | | | | | |
| Remarks: SHACMAN F3000 F2000 X3000 M3000 8*4 6*4 STEYR | | | | | | | | | | | | | | | | | |
| KD1396 | | | | | | | | | | | | | | | | | |
|  | <table border="1"> <tr><td>Part No.</td><td>199012340005</td></tr> <tr><td>CH part name</td><td>轮边太阳轮</td></tr> <tr><td>EN part name</td><td>Central gear</td></tr> <tr><td>RU part name</td><td>Солнечная шестерня</td></tr> <tr><td>Size:mm</td><td>100*50*60</td></tr> <tr><td>Weight:kg</td><td>2.16</td></tr> <tr><td>NO.</td><td>NO.73-18</td></tr> </table> | Part No. | 199012340005 | CH part name | 轮边太阳轮 | EN part name | Central gear | RU part name | Солнечная шестерня | Size:mm | 100*50*60 | Weight:kg | 2.16 | NO. | NO.73-18 | | |
| Part No. | 199012340005 | | | | | | | | | | | | | | | | |
| CH part name | 轮边太阳轮 | | | | | | | | | | | | | | | | |
| EN part name | Central gear | | | | | | | | | | | | | | | | |
| RU part name | Солнечная шестерня | | | | | | | | | | | | | | | | |
| Size:mm | 100*50*60 | | | | | | | | | | | | | | | | |
| Weight:kg | 2.16 | | | | | | | | | | | | | | | | |
| NO. | NO.73-18 | | | | | | | | | | | | | | | | |
| Remarks: SHACMAN F3000 F2000 X3000 M3000 8*4 6*4 STEYR | | | | | | | | | | | | | | | | | |
| KD1397 | | | | | | | | | | | | | | | | | |
|  | <table border="1"> <tr><td>Part No.</td><td>199012340076</td></tr> <tr><td>CH part name</td><td>太阳轮垫圈</td></tr> <tr><td>EN part name</td><td>Central gear washer</td></tr> <tr><td>RU part name</td><td>центральной передача шайбы</td></tr> <tr><td>Size:mm</td><td></td></tr> <tr><td>Weight:kg</td><td>0.02</td></tr> <tr><td>NO.</td><td>NO.73-19</td></tr> </table> | Part No. | 199012340076 | CH part name | 太阳轮垫圈 | EN part name | Central gear washer | RU part name | центральной передача шайбы | Size:mm | | Weight:kg | 0.02 | NO. | NO.73-19 | | |
| Part No. | 199012340076 | | | | | | | | | | | | | | | | |
| CH part name | 太阳轮垫圈 | | | | | | | | | | | | | | | | |
| EN part name | Central gear washer | | | | | | | | | | | | | | | | |
| RU part name | центральной передача шайбы | | | | | | | | | | | | | | | | |
| Size:mm | | | | | | | | | | | | | | | | | |
| Weight:kg | 0.02 | | | | | | | | | | | | | | | | |
| NO. | NO.73-19 | | | | | | | | | | | | | | | | |
| Remarks: SHACMAN F3000 F2000 X3000 M3000 8*4 6*4 STEYR | | | | | | | | | | | | | | | | | |





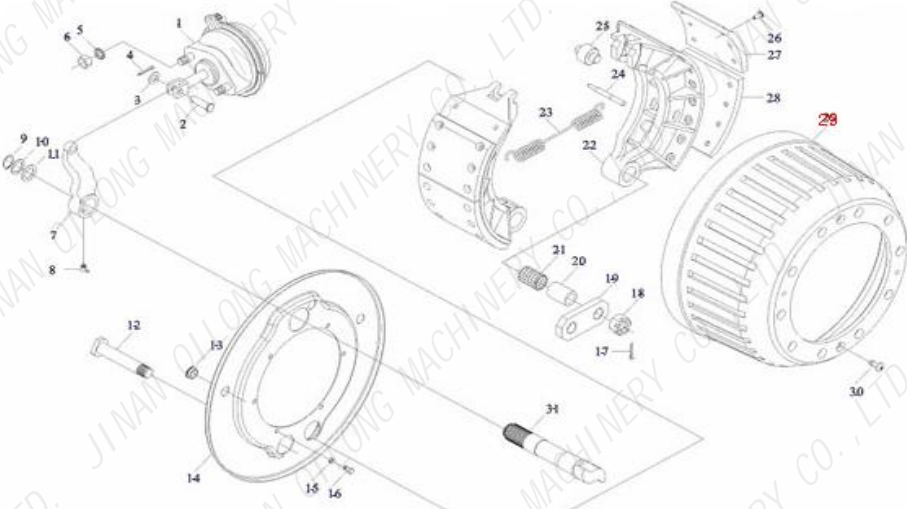


SHACMAN(1)

| | | | | | | | | | | | | | | | | | | | | | | | | | | | | | | | |
|---|--|--|---------------|--------------|--------|--------------|-----------------------|--------------|-----------------------------------|---------|-------------|-----------|------|-----|-----------------|---|--|----------|---------------|--------------|----------|--------------|------------------------|--------------|----------------------------|---------|-------------|-----------|------|-----|-----------------|
|  | <table border="1"> <tr><td>Part No.</td><td>168000340013</td></tr> <tr><td>CH part name</td><td>桥壳锁紧螺母</td></tr> <tr><td>EN part name</td><td>Circle nut</td></tr> <tr><td>RU part name</td><td>Круг гайка</td></tr> <tr><td>Size:mm</td><td></td></tr> <tr><td>Weight:kg</td><td>0.2</td></tr> <tr><td>NO.</td><td>NO.73-28</td></tr> </table> | Part No. | 168000340013 | CH part name | 桥壳锁紧螺母 | EN part name | Circle nut | RU part name | Круг гайка | Size:mm | | Weight:kg | 0.2 | NO. | NO.73-28 |  | <table border="1"> <tr><td>Part No.</td><td>168000340015</td></tr> <tr><td>CH part name</td><td>桥壳螺母锁片</td></tr> <tr><td>EN part name</td><td>Stop washer</td></tr> <tr><td>RU part name</td><td>Стоп машина</td></tr> <tr><td>Size:mm</td><td></td></tr> <tr><td>Weight:kg</td><td>0.01</td></tr> <tr><td>NO.</td><td>NO.73-26</td></tr> </table> | Part No. | 168000340015 | CH part name | 桥壳螺母锁片 | EN part name | Stop washer | RU part name | Стоп машина | Size:mm | | Weight:kg | 0.01 | NO. | NO.73-26 |
| Part No. | 168000340013 | | | | | | | | | | | | | | | | | | | | | | | | | | | | | | |
| CH part name | 桥壳锁紧螺母 | | | | | | | | | | | | | | | | | | | | | | | | | | | | | | |
| EN part name | Circle nut | | | | | | | | | | | | | | | | | | | | | | | | | | | | | | |
| RU part name | Круг гайка | | | | | | | | | | | | | | | | | | | | | | | | | | | | | | |
| Size:mm | | | | | | | | | | | | | | | | | | | | | | | | | | | | | | | |
| Weight:kg | 0.2 | | | | | | | | | | | | | | | | | | | | | | | | | | | | | | |
| NO. | NO.73-28 | | | | | | | | | | | | | | | | | | | | | | | | | | | | | | |
| Part No. | 168000340015 | | | | | | | | | | | | | | | | | | | | | | | | | | | | | | |
| CH part name | 桥壳螺母锁片 | | | | | | | | | | | | | | | | | | | | | | | | | | | | | | |
| EN part name | Stop washer | | | | | | | | | | | | | | | | | | | | | | | | | | | | | | |
| RU part name | Стоп машина | | | | | | | | | | | | | | | | | | | | | | | | | | | | | | |
| Size:mm | | | | | | | | | | | | | | | | | | | | | | | | | | | | | | | |
| Weight:kg | 0.01 | | | | | | | | | | | | | | | | | | | | | | | | | | | | | | |
| NO. | NO.73-26 | | | | | | | | | | | | | | | | | | | | | | | | | | | | | | |
| Remarks: SHACMAN F3000 F2000 X3000 M3000 8*4 6*4 STEYR | | Remarks: SHACMAN F3000 F2000 X3000 M3000 8*4 6*4 STEYR | | | | | | | | | | | | | | | | | | | | | | | | | | | | | |
|  | <table border="1"> <tr><td>Part No.</td><td>81.50110.0232</td></tr> <tr><td>CH part name</td><td>前制动鼓</td></tr> <tr><td>EN part name</td><td>Front brake drum</td></tr> <tr><td>RU part name</td><td>Барaban тормозный передний</td></tr> <tr><td>Size:mm</td><td>500*500*250</td></tr> <tr><td>Weight:kg</td><td>42.5</td></tr> <tr><td>NO.</td><td>NO.74-2</td></tr> </table> | Part No. | 81.50110.0232 | CH part name | 前制动鼓 | EN part name | Front brake drum | RU part name | Барaban тормозный передний | Size:mm | 500*500*250 | Weight:kg | 42.5 | NO. | NO.74-2 |  | <table border="1"> <tr><td>Part No.</td><td>81.50200.6686</td></tr> <tr><td>CH part name</td><td>前制动蹄总成</td></tr> <tr><td>EN part name</td><td>Front brake shoe assy.</td></tr> <tr><td>RU part name</td><td>Колодка тормозная передняя</td></tr> <tr><td>Size:mm</td><td>380*190*185</td></tr> <tr><td>Weight:kg</td><td>9.9</td></tr> <tr><td>NO.</td><td>NO.74-10</td></tr> </table> | Part No. | 81.50200.6686 | CH part name | 前制动蹄总成 | EN part name | Front brake shoe assy. | RU part name | Колодка тормозная передняя | Size:mm | 380*190*185 | Weight:kg | 9.9 | NO. | NO.74-10 |
| Part No. | 81.50110.0232 | | | | | | | | | | | | | | | | | | | | | | | | | | | | | | |
| CH part name | 前制动鼓 | | | | | | | | | | | | | | | | | | | | | | | | | | | | | | |
| EN part name | Front brake drum | | | | | | | | | | | | | | | | | | | | | | | | | | | | | | |
| RU part name | Барaban тормозный передний | | | | | | | | | | | | | | | | | | | | | | | | | | | | | | |
| Size:mm | 500*500*250 | | | | | | | | | | | | | | | | | | | | | | | | | | | | | | |
| Weight:kg | 42.5 | | | | | | | | | | | | | | | | | | | | | | | | | | | | | | |
| NO. | NO.74-2 | | | | | | | | | | | | | | | | | | | | | | | | | | | | | | |
| Part No. | 81.50200.6686 | | | | | | | | | | | | | | | | | | | | | | | | | | | | | | |
| CH part name | 前制动蹄总成 | | | | | | | | | | | | | | | | | | | | | | | | | | | | | | |
| EN part name | Front brake shoe assy. | | | | | | | | | | | | | | | | | | | | | | | | | | | | | | |
| RU part name | Колодка тормозная передняя | | | | | | | | | | | | | | | | | | | | | | | | | | | | | | |
| Size:mm | 380*190*185 | | | | | | | | | | | | | | | | | | | | | | | | | | | | | | |
| Weight:kg | 9.9 | | | | | | | | | | | | | | | | | | | | | | | | | | | | | | |
| NO. | NO.74-10 | | | | | | | | | | | | | | | | | | | | | | | | | | | | | | |
| Remarks: SHACMAN F3000 F2000 X3000 M3000 8*4 6*4 MAN 7.5t 9.5t | | Remarks: SHACMAN F3000 F2000 X3000 M3000 8*4 6*4 MAN 7.5t 9.5t | | | | | | | | | | | | | | | | | | | | | | | | | | | | | |
|  | <table border="1"> <tr><td>Part No.</td><td>DZ9112340239</td></tr> <tr><td>CH part name</td><td>前制动底板</td></tr> <tr><td>EN part name</td><td>Front brake baseplate</td></tr> <tr><td>RU part name</td><td>Суппорт передний</td></tr> <tr><td>Size:mm</td><td>440*230*120</td></tr> <tr><td>Weight:kg</td><td>7.1</td></tr> <tr><td>NO.</td><td>NO.74-15</td></tr> </table> | Part No. | DZ9112340239 | CH part name | 前制动底板 | EN part name | Front brake baseplate | RU part name | Суппорт передний | Size:mm | 440*230*120 | Weight:kg | 7.1 | NO. | NO.74-15 |  | <table border="1"> <tr><td>Part No.</td><td>81.50221.0535</td></tr> <tr><td>CH part name</td><td>前制动蹄摩擦片上</td></tr> <tr><td>EN part name</td><td>Upper brake lining</td></tr> <tr><td>RU part name</td><td>Накладка тормозная верхняя</td></tr> <tr><td>Size:mm</td><td>200*180*15</td></tr> <tr><td>Weight:kg</td><td>0.8</td></tr> <tr><td>NO.</td><td>NO.74-6</td></tr> </table> | Part No. | 81.50221.0535 | CH part name | 前制动蹄摩擦片上 | EN part name | Upper brake lining | RU part name | Накладка тормозная верхняя | Size:mm | 200*180*15 | Weight:kg | 0.8 | NO. | NO.74-6 |
| Part No. | DZ9112340239 | | | | | | | | | | | | | | | | | | | | | | | | | | | | | | |
| CH part name | 前制动底板 | | | | | | | | | | | | | | | | | | | | | | | | | | | | | | |
| EN part name | Front brake baseplate | | | | | | | | | | | | | | | | | | | | | | | | | | | | | | |
| RU part name | Суппорт передний | | | | | | | | | | | | | | | | | | | | | | | | | | | | | | |
| Size:mm | 440*230*120 | | | | | | | | | | | | | | | | | | | | | | | | | | | | | | |
| Weight:kg | 7.1 | | | | | | | | | | | | | | | | | | | | | | | | | | | | | | |
| NO. | NO.74-15 | | | | | | | | | | | | | | | | | | | | | | | | | | | | | | |
| Part No. | 81.50221.0535 | | | | | | | | | | | | | | | | | | | | | | | | | | | | | | |
| CH part name | 前制动蹄摩擦片上 | | | | | | | | | | | | | | | | | | | | | | | | | | | | | | |
| EN part name | Upper brake lining | | | | | | | | | | | | | | | | | | | | | | | | | | | | | | |
| RU part name | Накладка тормозная верхняя | | | | | | | | | | | | | | | | | | | | | | | | | | | | | | |
| Size:mm | 200*180*15 | | | | | | | | | | | | | | | | | | | | | | | | | | | | | | |
| Weight:kg | 0.8 | | | | | | | | | | | | | | | | | | | | | | | | | | | | | | |
| NO. | NO.74-6 | | | | | | | | | | | | | | | | | | | | | | | | | | | | | | |
| Remarks: SHACMAN F3000 F2000 X3000 M3000 8*4 6*4 MAN 7.5t 9.5t | | Remarks: SHACMAN F3000 F2000 X3000 M3000 8*4 6*4 MAN 7.5t 9.5t | | | | | | | | | | | | | | | | | | | | | | | | | | | | | |
|  | <table border="1"> <tr><td>Part No.</td><td>81.51101.6265</td></tr> <tr><td>CH part name</td><td>前制动气室</td></tr> <tr><td>EN part name</td><td>Front cylinder</td></tr> <tr><td>RU part name</td><td>Камера тормозная передняя в сборе</td></tr> <tr><td>Size:mm</td><td>200*200*180</td></tr> <tr><td>Weight:kg</td><td>3.2</td></tr> <tr><td>NO.</td><td>NO.74-29</td></tr> </table> | Part No. | 81.51101.6265 | CH part name | 前制动气室 | EN part name | Front cylinder | RU part name | Камера тормозная передняя в сборе | Size:mm | 200*200*180 | Weight:kg | 3.2 | NO. | NO.74-29 |  | <table border="1"> <tr><td>Part No.</td><td>81.50221.0540</td></tr> <tr><td>CH part name</td><td>前制动蹄摩擦片下</td></tr> <tr><td>EN part name</td><td>Upper brake lining</td></tr> <tr><td>RU part name</td><td>Накладка тормозная верхняя</td></tr> <tr><td>Size:mm</td><td>200*180*15</td></tr> <tr><td>Weight:kg</td><td>1.1</td></tr> <tr><td>NO.</td><td>NO.74-3</td></tr> </table> | Part No. | 81.50221.0540 | CH part name | 前制动蹄摩擦片下 | EN part name | Upper brake lining | RU part name | Накладка тормозная верхняя | Size:mm | 200*180*15 | Weight:kg | 1.1 | NO. | NO.74-3 |
| Part No. | 81.51101.6265 | | | | | | | | | | | | | | | | | | | | | | | | | | | | | | |
| CH part name | 前制动气室 | | | | | | | | | | | | | | | | | | | | | | | | | | | | | | |
| EN part name | Front cylinder | | | | | | | | | | | | | | | | | | | | | | | | | | | | | | |
| RU part name | Камера тормозная передняя в сборе | | | | | | | | | | | | | | | | | | | | | | | | | | | | | | |
| Size:mm | 200*200*180 | | | | | | | | | | | | | | | | | | | | | | | | | | | | | | |
| Weight:kg | 3.2 | | | | | | | | | | | | | | | | | | | | | | | | | | | | | | |
| NO. | NO.74-29 | | | | | | | | | | | | | | | | | | | | | | | | | | | | | | |
| Part No. | 81.50221.0540 | | | | | | | | | | | | | | | | | | | | | | | | | | | | | | |
| CH part name | 前制动蹄摩擦片下 | | | | | | | | | | | | | | | | | | | | | | | | | | | | | | |
| EN part name | Upper brake lining | | | | | | | | | | | | | | | | | | | | | | | | | | | | | | |
| RU part name | Накладка тормозная верхняя | | | | | | | | | | | | | | | | | | | | | | | | | | | | | | |
| Size:mm | 200*180*15 | | | | | | | | | | | | | | | | | | | | | | | | | | | | | | |
| Weight:kg | 1.1 | | | | | | | | | | | | | | | | | | | | | | | | | | | | | | |
| NO. | NO.74-3 | | | | | | | | | | | | | | | | | | | | | | | | | | | | | | |
| Remarks: SHACMAN F3000 F2000 X3000 M3000 8*4 6*4 MAN 81.51101.6264 | | Remarks: SHACMAN F3000 F2000 X3000 M3000 8*4 6*4 MAN 7.5t 9.5t | | | | | | | | | | | | | | | | | | | | | | | | | | | | | |

SHACMAN(1)

| FRONT BRACKET(MAN) | | NO.74 | |
|---|---|--------------------------------|------------------------------|
|  | KD1406 | | |
| |  | Part No. | 81.50301.0223 |
| | | CH part name | 前制动凸轮轴 (左) |
| | | EN part name | Left brake camshaft |
| | | RU part name | Кулак тормозной задний левый |
| | | Size:mm | |
| | | Weight:kg | 2 |
| | NO. | NO.74-7 | |
| | Remarks: SHACMAN F3000 F2000 X3000 M3000 8*4 6*4 MAN | | |
| | KD1407 | | |
|  | Part No. | 81.50301.0224 | |
| | CH part name | 前制动凸轮轴 (右) | |
| | EN part name | Right brake camshaft | |
| | RU part name | Кулак тормозной задний правый | |
| | Size:mm | | |
| | Weight:kg | 2 | |
| NO. | NO.74-7 | | |
| Remarks: SHACMAN F3000 F2000 X3000 M3000 8*4 6*4 MAN | | | |
| KD1408 | | | |
|  | Part No. | 81.50610.6231 | |
| | CH part name | 自动间隙调整臂 | |
| | EN part name | Front slack adjusting arm | |
| | RU part name | Рычаг тормоз передний | |
| | Size:mm | 300*180*70 | |
| | Weight:kg | 2.8 | |
| | NO. | NO.74-36 | |
| Remarks: SHACMAN F3000 F2000 X3000 M3000 8*4 6*4 MAN 7.5t | | | |
| KD1409 | | | |
|  | Part No. | DZ9112440094 | |
| | CH part name | 手动间隙调整臂 | |
| | EN part name | Brake arm | |
| | RU part name | тормоза руку | |
| | Size:mm | | |
| | Weight:kg | 2.95 | |
| | NO. | NO.74-36 | |
| Remarks: SHACMAN F3000 F2000 X3000 M3000 8*4 6*4 MAN 9.5t 7.5t | | | |
| KD1410 | | | |
|  | Part No. | DZ9112440091 | |
| | CH part name | 分泵支架(左) 9.5t | |
| | EN part name | Front cylinder bracket (left) | |
| | RU part name | Кронштейн передний (левый) | |
| | Size:mm | 250*180*150 | |
| | Weight:kg | 4.5 | |
| | NO. | NO.74-17 | |
| Remarks: SHACMAN F3000 F2000 X3000 M3000 8*4 6*4 MAN 81.50310.0313 7.5t | | | |
| KD1411 | | | |
|  | Part No. | DZ9112440092 | |
| | CH part name | 分泵支架(右) 9.5t | |
| | EN part name | Front cylinder bracket (right) | |
| | RU part name | Кронштейн передний (правый) | |
| | Size:mm | 250*180*150 | |
| | Weight:kg | 4.5 | |
| | NO. | NO.74-17 | |
| Remarks: SHACMAN F3000 F2000 X3000 M3000 8*4 6*4 MAN 81.50310.0312 7.5t | | | |

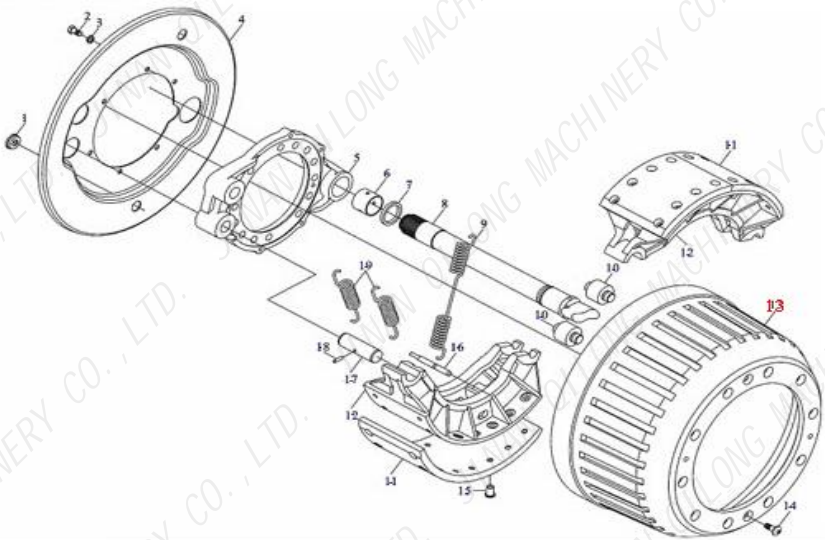






SHACMAN(1)

| | | | | | | | | | | | | | | | | | | | | | | | | | | | | | | | |
|---|---|---|---|--------------|---------------|--------------|--------------------------|--------------|--|--------------|----------------------------|-----------|------|-----------|--------------------|---|--|----------|--------------|--------------|--------|--------------|------------------------|--------------|----------------------------|---------|-------------|-----------|------|-----|-----------------|
|  | <table border="1"> <tr><td>Part No.</td><td>81.50101.0223/0224</td></tr> <tr><td>CH part name</td><td>防尘罩左右</td></tr> <tr><td>EN part name</td><td>Brake prevented dust cap</td></tr> <tr><td>RU part name</td><td>Тормозная предотвратит пылезащитный ко</td></tr> <tr><td>Size:mm</td><td></td></tr> <tr><td>Weight:kg</td><td>0.45</td></tr> <tr><td>NO.</td><td>NO.74-19-23</td></tr> </table> | Part No. | 81.50101.0223/0224 | CH part name | 防尘罩左右 | EN part name | Brake prevented dust cap | RU part name | Тормозная предотвратит пылезащитный ко | Size:mm | | Weight:kg | 0.45 | NO. | NO.74-19-23 |  | <table border="1"> <tr><td>Part No.</td><td>199112440001</td></tr> <tr><td>CH part name</td><td>前制动鼓</td></tr> <tr><td>EN part name</td><td>Front brake drum</td></tr> <tr><td>RU part name</td><td>Барабан тормозный передний</td></tr> <tr><td>Size:mm</td><td>500*500*250</td></tr> <tr><td>Weight:kg</td><td>40.5</td></tr> <tr><td>NO.</td><td>NO.75-29</td></tr> </table> | Part No. | 199112440001 | CH part name | 前制动鼓 | EN part name | Front brake drum | RU part name | Барабан тормозный передний | Size:mm | 500*500*250 | Weight:kg | 40.5 | NO. | NO.75-29 |
| Part No. | 81.50101.0223/0224 | | | | | | | | | | | | | | | | | | | | | | | | | | | | | | |
| CH part name | 防尘罩左右 | | | | | | | | | | | | | | | | | | | | | | | | | | | | | | |
| EN part name | Brake prevented dust cap | | | | | | | | | | | | | | | | | | | | | | | | | | | | | | |
| RU part name | Тормозная предотвратит пылезащитный ко | | | | | | | | | | | | | | | | | | | | | | | | | | | | | | |
| Size:mm | | | | | | | | | | | | | | | | | | | | | | | | | | | | | | | |
| Weight:kg | 0.45 | | | | | | | | | | | | | | | | | | | | | | | | | | | | | | |
| NO. | NO.74-19-23 | | | | | | | | | | | | | | | | | | | | | | | | | | | | | | |
| Part No. | 199112440001 | | | | | | | | | | | | | | | | | | | | | | | | | | | | | | |
| CH part name | 前制动鼓 | | | | | | | | | | | | | | | | | | | | | | | | | | | | | | |
| EN part name | Front brake drum | | | | | | | | | | | | | | | | | | | | | | | | | | | | | | |
| RU part name | Барабан тормозный передний | | | | | | | | | | | | | | | | | | | | | | | | | | | | | | |
| Size:mm | 500*500*250 | | | | | | | | | | | | | | | | | | | | | | | | | | | | | | |
| Weight:kg | 40.5 | | | | | | | | | | | | | | | | | | | | | | | | | | | | | | |
| NO. | NO.75-29 | | | | | | | | | | | | | | | | | | | | | | | | | | | | | | |
| Remarks: SHACMAN F3000 F2000 X3000 M3000 8*4 6*4 HDM300 | | Remarks: SHACMAN F3000 F2000 X3000 M3000 8*4 6*4 HDSTR | | | | | | | | | | | | | | | | | | | | | | | | | | | | | |
|  | <table border="1"> <tr><td>Part No.</td><td>199100440001</td></tr> <tr><td>CH part name</td><td>前制动调整臂左</td></tr> <tr><td>EN part name</td><td>Left brake camshaft</td></tr> <tr><td>RU part name</td><td>Кулак тормозной задний левый</td></tr> <tr><td>Size:mm</td><td>265*85*47</td></tr> <tr><td>Weight:kg</td><td>2.3</td></tr> <tr><td>NO.</td><td>NO.75-31</td></tr> </table> | Part No. | 199100440001 | CH part name | 前制动调整臂左 | EN part name | Left brake camshaft | RU part name | Кулак тормозной задний левый | Size:mm | 265*85*47 | Weight:kg | 2.3 | NO. | NO.75-31 |  | <table border="1"> <tr><td>Part No.</td><td>F99000440031</td></tr> <tr><td>CH part name</td><td>前制动蹄总成</td></tr> <tr><td>EN part name</td><td>Front brake shoe assy.</td></tr> <tr><td>RU part name</td><td>Колодка тормозная передняя</td></tr> <tr><td>Size:mm</td><td>372*187*162</td></tr> <tr><td>Weight:kg</td><td>10.1</td></tr> <tr><td>NO.</td><td>NO.75-22</td></tr> </table> | Part No. | F99000440031 | CH part name | 前制动蹄总成 | EN part name | Front brake shoe assy. | RU part name | Колодка тормозная передняя | Size:mm | 372*187*162 | Weight:kg | 10.1 | NO. | NO.75-22 |
| Part No. | 199100440001 | | | | | | | | | | | | | | | | | | | | | | | | | | | | | | |
| CH part name | 前制动调整臂左 | | | | | | | | | | | | | | | | | | | | | | | | | | | | | | |
| EN part name | Left brake camshaft | | | | | | | | | | | | | | | | | | | | | | | | | | | | | | |
| RU part name | Кулак тормозной задний левый | | | | | | | | | | | | | | | | | | | | | | | | | | | | | | |
| Size:mm | 265*85*47 | | | | | | | | | | | | | | | | | | | | | | | | | | | | | | |
| Weight:kg | 2.3 | | | | | | | | | | | | | | | | | | | | | | | | | | | | | | |
| NO. | NO.75-31 | | | | | | | | | | | | | | | | | | | | | | | | | | | | | | |
| Part No. | F99000440031 | | | | | | | | | | | | | | | | | | | | | | | | | | | | | | |
| CH part name | 前制动蹄总成 | | | | | | | | | | | | | | | | | | | | | | | | | | | | | | |
| EN part name | Front brake shoe assy. | | | | | | | | | | | | | | | | | | | | | | | | | | | | | | |
| RU part name | Колодка тормозная передняя | | | | | | | | | | | | | | | | | | | | | | | | | | | | | | |
| Size:mm | 372*187*162 | | | | | | | | | | | | | | | | | | | | | | | | | | | | | | |
| Weight:kg | 10.1 | | | | | | | | | | | | | | | | | | | | | | | | | | | | | | |
| NO. | NO.75-22 | | | | | | | | | | | | | | | | | | | | | | | | | | | | | | |
| Remarks: SHACMAN F3000 F2000 X3000 M3000 8*4 6*4 HDSTR | | Remarks: SHACMAN F3000 F2000 X3000 M3000 8*4 6*4 HDSTR | | | | | | | | | | | | | | | | | | | | | | | | | | | | | |
| FRONT BRAKET HDZ6.5t NO.75 | | | | | | | | | | | | | | | | | | | | | | | | | | | | | | | |
|  | |  | <table border="1"> <tr><td>Part No.</td><td>199000440029M</td></tr> <tr><td>CH part name</td><td>前制动摩擦片下</td></tr> <tr><td>EN part name</td><td>Lower brake lining</td></tr> <tr><td>RU part name</td><td>Накладка тормозная верхняя</td></tr> <tr><td>Size:mm</td><td></td></tr> <tr><td>Weight:kg</td><td>0.85</td></tr> <tr><td>NO.</td><td>NO.75-28</td></tr> </table> | Part No. | 199000440029M | CH part name | 前制动摩擦片下 | EN part name | Lower brake lining | RU part name | Накладка тормозная верхняя | Size:mm | | Weight:kg | 0.85 | NO. | NO.75-28 | | | | | | | | | | | | | | |
| Part No. | 199000440029M | | | | | | | | | | | | | | | | | | | | | | | | | | | | | | |
| CH part name | 前制动摩擦片下 | | | | | | | | | | | | | | | | | | | | | | | | | | | | | | |
| EN part name | Lower brake lining | | | | | | | | | | | | | | | | | | | | | | | | | | | | | | |
| RU part name | Накладка тормозная верхняя | | | | | | | | | | | | | | | | | | | | | | | | | | | | | | |
| Size:mm | | | | | | | | | | | | | | | | | | | | | | | | | | | | | | | |
| Weight:kg | 0.85 | | | | | | | | | | | | | | | | | | | | | | | | | | | | | | |
| NO. | NO.75-28 | | | | | | | | | | | | | | | | | | | | | | | | | | | | | | |
| Remarks: SHACMAN F3000 F2000 X3000 M3000 8*4 6*4 HDSTR | | Remarks: SHACMAN F3000 F2000 X3000 M3000 8*4 6*4 HDSTR | | | | | | | | | | | | | | | | | | | | | | | | | | | | | |
| | |  | <table border="1"> <tr><td>Part No.</td><td>199000440027M</td></tr> <tr><td>CH part name</td><td>前制动摩擦片上</td></tr> <tr><td>EN part name</td><td>Upper brake lining</td></tr> <tr><td>RU part name</td><td>Накладка тормозная верхняя</td></tr> <tr><td>Size:mm</td><td></td></tr> <tr><td>Weight:kg</td><td>0.64</td></tr> <tr><td>NO.</td><td>NO.75-27</td></tr> </table> | Part No. | 199000440027M | CH part name | 前制动摩擦片上 | EN part name | Upper brake lining | RU part name | Накладка тормозная верхняя | Size:mm | | Weight:kg | 0.64 | NO. | NO.75-27 | | | | | | | | | | | | | | |
| Part No. | 199000440027M | | | | | | | | | | | | | | | | | | | | | | | | | | | | | | |
| CH part name | 前制动摩擦片上 | | | | | | | | | | | | | | | | | | | | | | | | | | | | | | |
| EN part name | Upper brake lining | | | | | | | | | | | | | | | | | | | | | | | | | | | | | | |
| RU part name | Накладка тормозная верхняя | | | | | | | | | | | | | | | | | | | | | | | | | | | | | | |
| Size:mm | | | | | | | | | | | | | | | | | | | | | | | | | | | | | | | |
| Weight:kg | 0.64 | | | | | | | | | | | | | | | | | | | | | | | | | | | | | | |
| NO. | NO.75-27 | | | | | | | | | | | | | | | | | | | | | | | | | | | | | | |
| Remarks: SHACMAN F3000 F2000 X3000 M3000 8*4 6*4 HDSTR | | Remarks: SHACMAN F3000 F2000 X3000 M3000 8*4 6*4 HDSTR | | | | | | | | | | | | | | | | | | | | | | | | | | | | | |




SHACMAN(1)

| | | | | | | | | | | | | | | | | | | | | | | | | | | | | | | | |
|---|--|---|--------------|--------------|----------|--------------|----------------------|--------------|-----------------------------------|---------|-------------|-----------|------|-----|-----------------|---|---|----------|--------------|--------------|----------|--------------|-----------------------------------|--------------|--|---------|-------------|-----------|-------|-----|-----------------|
|  | <table border="1"> <tr><td>Part No.</td><td>199100440002</td></tr> <tr><td>CH part name</td><td>前制动调整臂右</td></tr> <tr><td>EN part name</td><td>Right brake camshaft</td></tr> <tr><td>RU part name</td><td>Кулак тормозной задний левый</td></tr> <tr><td>Size:mm</td><td>265*85*47</td></tr> <tr><td>Weight:kg</td><td>2.3</td></tr> <tr><td>NO.</td><td>NO.75-31</td></tr> </table> | Part No. | 199100440002 | CH part name | 前制动调整臂右 | EN part name | Right brake camshaft | RU part name | Кулак тормозной задний левый | Size:mm | 265*85*47 | Weight:kg | 2.3 | NO. | NO.75-31 |  | <table border="1"> <tr><td>Part No.</td><td>188000340040</td></tr> <tr><td>CH part name</td><td>前制动调整臂</td></tr> <tr><td>EN part name</td><td>Front slack adjusting arm</td></tr> <tr><td>RU part name</td><td>Рычаг тормоз передний</td></tr> <tr><td>Size:mm</td><td></td></tr> <tr><td>Weight:kg</td><td>1.8</td></tr> <tr><td>NO.</td><td>NO.75-7</td></tr> </table> | Part No. | 188000340040 | CH part name | 前制动调整臂 | EN part name | Front slack adjusting arm | RU part name | Рычаг тормоз передний | Size:mm | | Weight:kg | 1.8 | NO. | NO.75-7 |
| Part No. | 199100440002 | | | | | | | | | | | | | | | | | | | | | | | | | | | | | | |
| CH part name | 前制动调整臂右 | | | | | | | | | | | | | | | | | | | | | | | | | | | | | | |
| EN part name | Right brake camshaft | | | | | | | | | | | | | | | | | | | | | | | | | | | | | | |
| RU part name | Кулак тормозной задний левый | | | | | | | | | | | | | | | | | | | | | | | | | | | | | | |
| Size:mm | 265*85*47 | | | | | | | | | | | | | | | | | | | | | | | | | | | | | | |
| Weight:kg | 2.3 | | | | | | | | | | | | | | | | | | | | | | | | | | | | | | |
| NO. | NO.75-31 | | | | | | | | | | | | | | | | | | | | | | | | | | | | | | |
| Part No. | 188000340040 | | | | | | | | | | | | | | | | | | | | | | | | | | | | | | |
| CH part name | 前制动调整臂 | | | | | | | | | | | | | | | | | | | | | | | | | | | | | | |
| EN part name | Front slack adjusting arm | | | | | | | | | | | | | | | | | | | | | | | | | | | | | | |
| RU part name | Рычаг тормоз передний | | | | | | | | | | | | | | | | | | | | | | | | | | | | | | |
| Size:mm | | | | | | | | | | | | | | | | | | | | | | | | | | | | | | | |
| Weight:kg | 1.8 | | | | | | | | | | | | | | | | | | | | | | | | | | | | | | |
| NO. | NO.75-7 | | | | | | | | | | | | | | | | | | | | | | | | | | | | | | |
| Remarks: SHACMAN F3000 F2000 X3000 M3000 8*4 6*4 HDSTR | | Remarks: SHACMAN F3000 F2000 X3000 M3000 8*4 6*4 HDSTR | | | | | | | | | | | | | | | | | | | | | | | | | | | | | |
|  | <table border="1"> <tr><td>Part No.</td><td>AZ8800360130</td></tr> <tr><td>CH part name</td><td>前制动气室</td></tr> <tr><td>EN part name</td><td>Front cylinder</td></tr> <tr><td>RU part name</td><td>Камера тормозная передняя в сборе</td></tr> <tr><td>Size:mm</td><td>190*220*180</td></tr> <tr><td>Weight:kg</td><td>3</td></tr> <tr><td>NO.</td><td>NO.75-1</td></tr> </table> | Part No. | AZ8800360130 | CH part name | 前制动气室 | EN part name | Front cylinder | RU part name | Камера тормозная передняя в сборе | Size:mm | 190*220*180 | Weight:kg | 3 | NO. | NO.75-1 |  | <table border="1"> <tr><td>Part No.</td><td>188000440007</td></tr> <tr><td>CH part name</td><td>前制动防尘罩</td></tr> <tr><td>EN part name</td><td>Brake prevented dust cap</td></tr> <tr><td>RU part name</td><td>Тормозная предотвратит пылезащитный ко</td></tr> <tr><td>Size:mm</td><td></td></tr> <tr><td>Weight:kg</td><td>0.34</td></tr> <tr><td>NO.</td><td>NO.75-14</td></tr> </table> | Part No. | 188000440007 | CH part name | 前制动防尘罩 | EN part name | Brake prevented dust cap | RU part name | Тормозная предотвратит пылезащитный ко | Size:mm | | Weight:kg | 0.34 | NO. | NO.75-14 |
| Part No. | AZ8800360130 | | | | | | | | | | | | | | | | | | | | | | | | | | | | | | |
| CH part name | 前制动气室 | | | | | | | | | | | | | | | | | | | | | | | | | | | | | | |
| EN part name | Front cylinder | | | | | | | | | | | | | | | | | | | | | | | | | | | | | | |
| RU part name | Камера тормозная передняя в сборе | | | | | | | | | | | | | | | | | | | | | | | | | | | | | | |
| Size:mm | 190*220*180 | | | | | | | | | | | | | | | | | | | | | | | | | | | | | | |
| Weight:kg | 3 | | | | | | | | | | | | | | | | | | | | | | | | | | | | | | |
| NO. | NO.75-1 | | | | | | | | | | | | | | | | | | | | | | | | | | | | | | |
| Part No. | 188000440007 | | | | | | | | | | | | | | | | | | | | | | | | | | | | | | |
| CH part name | 前制动防尘罩 | | | | | | | | | | | | | | | | | | | | | | | | | | | | | | |
| EN part name | Brake prevented dust cap | | | | | | | | | | | | | | | | | | | | | | | | | | | | | | |
| RU part name | Тормозная предотвратит пылезащитный ко | | | | | | | | | | | | | | | | | | | | | | | | | | | | | | |
| Size:mm | | | | | | | | | | | | | | | | | | | | | | | | | | | | | | | |
| Weight:kg | 0.34 | | | | | | | | | | | | | | | | | | | | | | | | | | | | | | |
| NO. | NO.75-14 | | | | | | | | | | | | | | | | | | | | | | | | | | | | | | |
| Remarks: SHACMAN F3000 F2000 X3000 M3000 8*4 6*4 HDSTR AZ8800360131 | | Remarks: SHACMAN HDZ6.5t 8*4 6*4 HDSTR 199112440006 | | | | | | | | | | | | | | | | | | | | | | | | | | | | | |
|  | <table border="1"> <tr><td>Part No.</td><td>199112340006</td></tr> <tr><td>CH part name</td><td>中后制动鼓</td></tr> <tr><td>EN part name</td><td>Rear brake drum</td></tr> <tr><td>RU part name</td><td>Барабан задний</td></tr> <tr><td>Size:mm</td><td>500*500*300</td></tr> <tr><td>Weight:kg</td><td>52.5</td></tr> <tr><td>NO.</td><td>NO.76-13</td></tr> </table> | Part No. | 199112340006 | CH part name | 中后制动鼓 | EN part name | Rear brake drum | RU part name | Барабан задний | Size:mm | 500*500*300 | Weight:kg | 52.5 | NO. | NO.76-13 |  | <table border="1"> <tr><td>Part No.</td><td>199000340070</td></tr> <tr><td>CH part name</td><td>中后制动蹄总成</td></tr> <tr><td>EN part name</td><td>Rear brake shoe with lining assy.</td></tr> <tr><td>RU part name</td><td>Колодка тормозная задняя</td></tr> <tr><td>Size:mm</td><td>372*175*185</td></tr> <tr><td>Weight:kg</td><td>10.45</td></tr> <tr><td>NO.</td><td>NO.76-12</td></tr> </table> | Part No. | 199000340070 | CH part name | 中后制动蹄总成 | EN part name | Rear brake shoe with lining assy. | RU part name | Колодка тормозная задняя | Size:mm | 372*175*185 | Weight:kg | 10.45 | NO. | NO.76-12 |
| Part No. | 199112340006 | | | | | | | | | | | | | | | | | | | | | | | | | | | | | | |
| CH part name | 中后制动鼓 | | | | | | | | | | | | | | | | | | | | | | | | | | | | | | |
| EN part name | Rear brake drum | | | | | | | | | | | | | | | | | | | | | | | | | | | | | | |
| RU part name | Барабан задний | | | | | | | | | | | | | | | | | | | | | | | | | | | | | | |
| Size:mm | 500*500*300 | | | | | | | | | | | | | | | | | | | | | | | | | | | | | | |
| Weight:kg | 52.5 | | | | | | | | | | | | | | | | | | | | | | | | | | | | | | |
| NO. | NO.76-13 | | | | | | | | | | | | | | | | | | | | | | | | | | | | | | |
| Part No. | 199000340070 | | | | | | | | | | | | | | | | | | | | | | | | | | | | | | |
| CH part name | 中后制动蹄总成 | | | | | | | | | | | | | | | | | | | | | | | | | | | | | | |
| EN part name | Rear brake shoe with lining assy. | | | | | | | | | | | | | | | | | | | | | | | | | | | | | | |
| RU part name | Колодка тормозная задняя | | | | | | | | | | | | | | | | | | | | | | | | | | | | | | |
| Size:mm | 372*175*185 | | | | | | | | | | | | | | | | | | | | | | | | | | | | | | |
| Weight:kg | 10.45 | | | | | | | | | | | | | | | | | | | | | | | | | | | | | | |
| NO. | NO.76-12 | | | | | | | | | | | | | | | | | | | | | | | | | | | | | | |
| Remarks: SHACMAN HDS300 8*4 6*4 STEYR | | Remarks: SHACMAN HDS300 8*4 6*4 STEYR 199000340061 | | | | | | | | | | | | | | | | | | | | | | | | | | | | | |
|  | <table border="1"> <tr><td>Part No.</td><td>199000340068</td></tr> <tr><td>CH part name</td><td>中后制动蹄摩擦片</td></tr> <tr><td>EN part name</td><td>Rear brake lining</td></tr> <tr><td>RU part name</td><td>Накладка тормозная задняя</td></tr> <tr><td>Size:mm</td><td>180*180*15</td></tr> <tr><td>Weight:kg</td><td>1</td></tr> <tr><td>NO.</td><td>NO.76-11</td></tr> </table> | Part No. | 199000340068 | CH part name | 中后制动蹄摩擦片 | EN part name | Rear brake lining | RU part name | Накладка тормозная задняя | Size:mm | 180*180*15 | Weight:kg | 1 | NO. | NO.76-11 |  | <table border="1"> <tr><td>Part No.</td><td>199112340026</td></tr> <tr><td>CH part name</td><td>中后制动凸轮轴左</td></tr> <tr><td>EN part name</td><td>Left brake camshaft</td></tr> <tr><td>RU part name</td><td>Кулак тормозной задний левый</td></tr> <tr><td>Size:mm</td><td>525*92*48</td></tr> <tr><td>Weight:kg</td><td>5.6</td></tr> <tr><td>NO.</td><td>NO.76-8</td></tr> </table> | Part No. | 199112340026 | CH part name | 中后制动凸轮轴左 | EN part name | Left brake camshaft | RU part name | Кулак тормозной задний левый | Size:mm | 525*92*48 | Weight:kg | 5.6 | NO. | NO.76-8 |
| Part No. | 199000340068 | | | | | | | | | | | | | | | | | | | | | | | | | | | | | | |
| CH part name | 中后制动蹄摩擦片 | | | | | | | | | | | | | | | | | | | | | | | | | | | | | | |
| EN part name | Rear brake lining | | | | | | | | | | | | | | | | | | | | | | | | | | | | | | |
| RU part name | Накладка тормозная задняя | | | | | | | | | | | | | | | | | | | | | | | | | | | | | | |
| Size:mm | 180*180*15 | | | | | | | | | | | | | | | | | | | | | | | | | | | | | | |
| Weight:kg | 1 | | | | | | | | | | | | | | | | | | | | | | | | | | | | | | |
| NO. | NO.76-11 | | | | | | | | | | | | | | | | | | | | | | | | | | | | | | |
| Part No. | 199112340026 | | | | | | | | | | | | | | | | | | | | | | | | | | | | | | |
| CH part name | 中后制动凸轮轴左 | | | | | | | | | | | | | | | | | | | | | | | | | | | | | | |
| EN part name | Left brake camshaft | | | | | | | | | | | | | | | | | | | | | | | | | | | | | | |
| RU part name | Кулак тормозной задний левый | | | | | | | | | | | | | | | | | | | | | | | | | | | | | | |
| Size:mm | 525*92*48 | | | | | | | | | | | | | | | | | | | | | | | | | | | | | | |
| Weight:kg | 5.6 | | | | | | | | | | | | | | | | | | | | | | | | | | | | | | |
| NO. | NO.76-8 | | | | | | | | | | | | | | | | | | | | | | | | | | | | | | |
| Remarks: SHACMAN F3000 F2000 X3000 M3000 8*4 6*4 STEYR | | Remarks: SHACMAN F3000 F2000 X3000 M3000 8*4 6*4 STEYR DZ9112340056 | | | | | | | | | | | | | | | | | | | | | | | | | | | | | |

SHACMAN(1)

| Middle and rear axle HDS300 | | NO.76 | |
|---|---|--------------------------------|------------------------------|
|  | KD1426 | | |
| |  | Part No. | 199112340027 |
| | | CH part name | 中后制动凸轮轴右 |
| | | EN part name | Right brake camshaft |
| | | RU part name | Кулак тормозной задний левый |
| | | Size:mm | 525*92*48 |
| | | Weight:kg | 5.6 |
| | | NO. | NO.76-8 |
| | Remarks: SHACMAN F3000 F2000 X3000 M3000 8*4 6*4 HDSTR DZ9112340057 | | |
| | KD1427 | | |
|  | Part No. | 199000340062 | |
| | CH part name | 制动底板 | |
| | EN part name | Front brake baseplate | |
| | RU part name | Суппорт передний | |
| | Size:mm | 370*255*98 | |
| | Weight:kg | 7.1 | |
| | NO. | NO.76-5 | |
| Remarks: SHACMAN F3000 F2000 X3000 M3000 8*4 6*4 HDS300 | | | |
| KD1428 | | | |
|  | Part No. | DZ9100340017 | |
| | CH part name | 制动凸轮轴衬套 | |
| | EN part name | Camshaft bush | |
| | RU part name | Втулка тормозного вала задняя | |
| | Size:mm | 44.8*35 | |
| | Weight:kg | 0.08 | |
| | NO. | NO.76-6 | |
| Remarks: SHACMAN F3000 F2000 X3000 M3000 8*4 6*4 HDSTR | | | |
| KD1429 | | | |
|  | Part No. | 199000340027 | |
| | CH part name | 后制动蹄滚轮 | |
| | EN part name | Roller | |
| | RU part name | Ролик | |
| | Size:mm | 63*36*36 | |
| | Weight:kg | 0.32 | |
| | NO. | NO.76-10 | |
| Remarks: SHACMAN F3000 F2000 X3000 M3000 8*4 6*4 HDSTR | | | |
| KD1430 | | | |
|  | Part No. | 188000440012 | |
| | CH part name | 制动蹄回位簧 | |
| | EN part name | Front brake shoe return spring | |
| | RU part name | Стяжная пружина | |
| | Size:mm | 270*30*30 | |
| | Weight:kg | 0.15 | |
| | NO. | NO.76-9 | |
| Remarks: SHACMAN F3000 F2000 X3000 M3000 8*4 6*4 HDSTR | | | |
| KD1431 | | | |
|  | Part No. | 199112340049 | |
| | CH part name | 制动蹄回位簧 | |
| | EN part name | Tension spring | |
| | RU part name | Пружина тормозная малая | |
| | Size:mm | 166*21*21 | |
| | Weight:kg | 0.09 | |
| | NO. | NO.76-19 | |
| Remarks: SHACMAN F3000 F2000 X3000 M3000 8*4 6*4 HDSTR | | | |

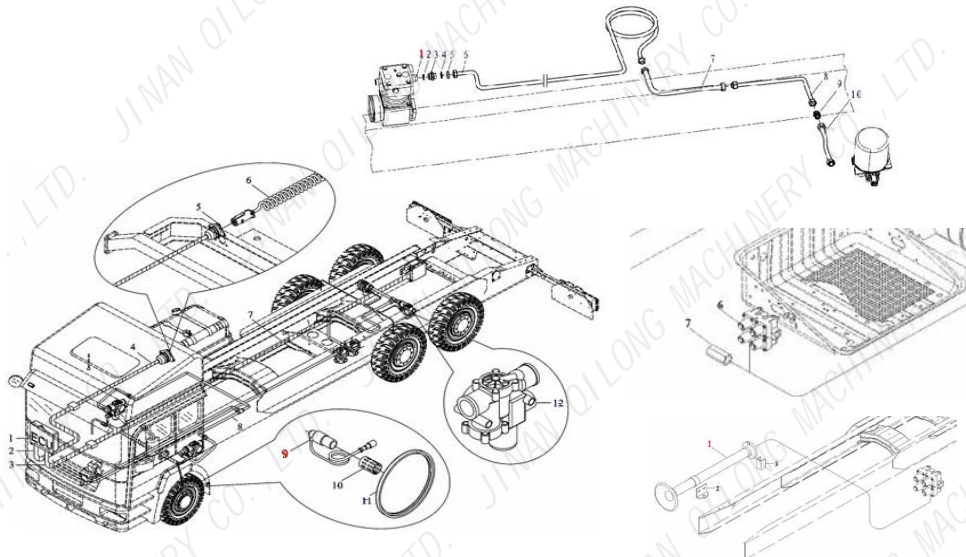

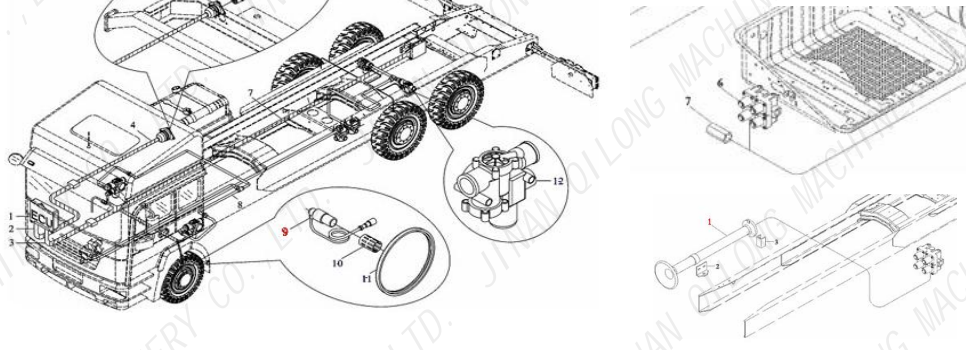



SHACMAN(1)

| | | | | | | | | | | | | | | | | | | | | | | | | | | | | | | | |
|---|---|---|--|--------------|--------------|--------------|--------------------------|--------------|---|--------------|---|-----------|------------|-----------|----------------|---|---|----------|--------------|--------------|--------|--------------|-----------------|--------------|-----------------------|---------|-------------|-----------|-----|-----|-----------------|
|  | <table border="1"> <tr><td>Part No.</td><td>199112340012</td></tr> <tr><td>CH part name</td><td>制动器防尘罩</td></tr> <tr><td>EN part name</td><td>Brake prevented dust cap</td></tr> <tr><td>RU part name</td><td>Тормозная предотвратитель пылезащитный ко</td></tr> <tr><td>Size:mm</td><td></td></tr> <tr><td>Weight:kg</td><td>0.35</td></tr> <tr><td>NO.</td><td>NO.76-4</td></tr> </table> | Part No. | 199112340012 | CH part name | 制动器防尘罩 | EN part name | Brake prevented dust cap | RU part name | Тормозная предотвратитель пылезащитный ко | Size:mm | | Weight:kg | 0.35 | NO. | NO.76-4 |  | <table border="1"> <tr><td>Part No.</td><td>199000340064</td></tr> <tr><td>CH part name</td><td>制动蹄支撑销</td></tr> <tr><td>EN part name</td><td>Brake shoe pin</td></tr> <tr><td>RU part name</td><td>Палец заднего колодки</td></tr> <tr><td>Size:mm</td><td>88*28*28</td></tr> <tr><td>Weight:kg</td><td>0.4</td></tr> <tr><td>NO.</td><td>NO.76-17</td></tr> </table> | Part No. | 199000340064 | CH part name | 制动蹄支撑销 | EN part name | Brake shoe pin | RU part name | Палец заднего колодки | Size:mm | 88*28*28 | Weight:kg | 0.4 | NO. | NO.76-17 |
| Part No. | 199112340012 | | | | | | | | | | | | | | | | | | | | | | | | | | | | | | |
| CH part name | 制动器防尘罩 | | | | | | | | | | | | | | | | | | | | | | | | | | | | | | |
| EN part name | Brake prevented dust cap | | | | | | | | | | | | | | | | | | | | | | | | | | | | | | |
| RU part name | Тормозная предотвратитель пылезащитный ко | | | | | | | | | | | | | | | | | | | | | | | | | | | | | | |
| Size:mm | | | | | | | | | | | | | | | | | | | | | | | | | | | | | | | |
| Weight:kg | 0.35 | | | | | | | | | | | | | | | | | | | | | | | | | | | | | | |
| NO. | NO.76-4 | | | | | | | | | | | | | | | | | | | | | | | | | | | | | | |
| Part No. | 199000340064 | | | | | | | | | | | | | | | | | | | | | | | | | | | | | | |
| CH part name | 制动蹄支撑销 | | | | | | | | | | | | | | | | | | | | | | | | | | | | | | |
| EN part name | Brake shoe pin | | | | | | | | | | | | | | | | | | | | | | | | | | | | | | |
| RU part name | Палец заднего колодки | | | | | | | | | | | | | | | | | | | | | | | | | | | | | | |
| Size:mm | 88*28*28 | | | | | | | | | | | | | | | | | | | | | | | | | | | | | | |
| Weight:kg | 0.4 | | | | | | | | | | | | | | | | | | | | | | | | | | | | | | |
| NO. | NO.76-17 | | | | | | | | | | | | | | | | | | | | | | | | | | | | | | |
| Remarks: SHACMAN F3000 F2000 X3000 M3000 8*4 6*4 STEYR | | Remarks: SHACMAN F3000 F2000 X3000 M3000 8*4 6*4 HDSTR | | | | | | | | | | | | | | | | | | | | | | | | | | | | | |
|  | <table border="1"> <tr><td>Part No.</td><td>AZ9100368303</td></tr> <tr><td>CH part name</td><td>后膜片式制动气室</td></tr> <tr><td>EN part name</td><td>Rear brake cylinder</td></tr> <tr><td>RU part name</td><td>Тормозная камера задняя</td></tr> <tr><td>Size:mm</td><td>650*240*240</td></tr> <tr><td>Weight:kg</td><td>8.9</td></tr> <tr><td>NO.</td><td>NO.77-1</td></tr> </table> | Part No. | AZ9100368303 | CH part name | 后膜片式制动气室 | EN part name | Rear brake cylinder | RU part name | Тормозная камера задняя | Size:mm | 650*240*240 | Weight:kg | 8.9 | NO. | NO.77-1 |  | <table border="1"> <tr><td>Part No.</td><td>199014340042</td></tr> <tr><td>CH part name</td><td>中后气室支架</td></tr> <tr><td>EN part name</td><td>Chamber bracket</td></tr> <tr><td>RU part name</td><td>камера от</td></tr> <tr><td>Size:mm</td><td>365*165*190</td></tr> <tr><td>Weight:kg</td><td>13</td></tr> <tr><td>NO.</td><td>NO.77-2</td></tr> </table> | Part No. | 199014340042 | CH part name | 中后气室支架 | EN part name | Chamber bracket | RU part name | камера от | Size:mm | 365*165*190 | Weight:kg | 13 | NO. | NO.77-2 |
| Part No. | AZ9100368303 | | | | | | | | | | | | | | | | | | | | | | | | | | | | | | |
| CH part name | 后膜片式制动气室 | | | | | | | | | | | | | | | | | | | | | | | | | | | | | | |
| EN part name | Rear brake cylinder | | | | | | | | | | | | | | | | | | | | | | | | | | | | | | |
| RU part name | Тормозная камера задняя | | | | | | | | | | | | | | | | | | | | | | | | | | | | | | |
| Size:mm | 650*240*240 | | | | | | | | | | | | | | | | | | | | | | | | | | | | | | |
| Weight:kg | 8.9 | | | | | | | | | | | | | | | | | | | | | | | | | | | | | | |
| NO. | NO.77-1 | | | | | | | | | | | | | | | | | | | | | | | | | | | | | | |
| Part No. | 199014340042 | | | | | | | | | | | | | | | | | | | | | | | | | | | | | | |
| CH part name | 中后气室支架 | | | | | | | | | | | | | | | | | | | | | | | | | | | | | | |
| EN part name | Chamber bracket | | | | | | | | | | | | | | | | | | | | | | | | | | | | | | |
| RU part name | камера от | | | | | | | | | | | | | | | | | | | | | | | | | | | | | | |
| Size:mm | 365*165*190 | | | | | | | | | | | | | | | | | | | | | | | | | | | | | | |
| Weight:kg | 13 | | | | | | | | | | | | | | | | | | | | | | | | | | | | | | |
| NO. | NO.77-2 | | | | | | | | | | | | | | | | | | | | | | | | | | | | | | |
| Remarks: SHACMAN F3000 F2000 X3000 M3000 8*4 6*4 STEYR | | Remarks: SHACMAN F3000 F2000 X3000 M3000 8*4 6*4 HDSTR | | | | | | | | | | | | | | | | | | | | | | | | | | | | | |
| REAR AXLE BRAKEII HDS300 NO.77 | |  | | | | | | | | | | | | | | | | | | | | | | | | | | | | | |
| | |  | <table border="1"> <tr><td>Part No.</td><td>199000340057</td></tr> <tr><td>CH part name</td><td>中后制动调整臂右</td></tr> <tr><td>EN part name</td><td>Left slack adjusting arm</td></tr> <tr><td>RU part name</td><td>Рычаг привода тормозов задней оси левый</td></tr> <tr><td>Size:mm</td><td>225*115*90</td></tr> <tr><td>Weight:kg</td><td>2.9</td></tr> <tr><td>NO.</td><td>NO.77-10</td></tr> </table> | Part No. | 199000340057 | CH part name | 中后制动调整臂右 | EN part name | Left slack adjusting arm | RU part name | Рычаг привода тормозов задней оси левый | Size:mm | 225*115*90 | Weight:kg | 2.9 | NO. | NO.77-10 | | | | | | | | | | | | | | |
| Part No. | 199000340057 | | | | | | | | | | | | | | | | | | | | | | | | | | | | | | |
| CH part name | 中后制动调整臂右 | | | | | | | | | | | | | | | | | | | | | | | | | | | | | | |
| EN part name | Left slack adjusting arm | | | | | | | | | | | | | | | | | | | | | | | | | | | | | | |
| RU part name | Рычаг привода тормозов задней оси левый | | | | | | | | | | | | | | | | | | | | | | | | | | | | | | |
| Size:mm | 225*115*90 | | | | | | | | | | | | | | | | | | | | | | | | | | | | | | |
| Weight:kg | 2.9 | | | | | | | | | | | | | | | | | | | | | | | | | | | | | | |
| NO. | NO.77-10 | | | | | | | | | | | | | | | | | | | | | | | | | | | | | | |
| | | Remarks: SHACMAN F3000 F2000 X3000 M3000 8*4 6*4 HDSTR | | | | | | | | | | | | | | | | | | | | | | | | | | | | | |
| | |  | <table border="1"> <tr><td>Part No.</td><td>199000340056</td></tr> <tr><td>CH part name</td><td>中后制动调整臂左</td></tr> <tr><td>EN part name</td><td>Right slack adjusting arm</td></tr> <tr><td>RU part name</td><td>Рычаг привода тормозов задней оси левый</td></tr> <tr><td>Size:mm</td><td>225*115*90</td></tr> <tr><td>Weight:kg</td><td>2.9</td></tr> <tr><td>NO.</td><td>NO.77-10</td></tr> </table> | Part No. | 199000340056 | CH part name | 中后制动调整臂左 | EN part name | Right slack adjusting arm | RU part name | Рычаг привода тормозов задней оси левый | Size:mm | 225*115*90 | Weight:kg | 2.9 | NO. | NO.77-10 | | | | | | | | | | | | | | |
| Part No. | 199000340056 | | | | | | | | | | | | | | | | | | | | | | | | | | | | | | |
| CH part name | 中后制动调整臂左 | | | | | | | | | | | | | | | | | | | | | | | | | | | | | | |
| EN part name | Right slack adjusting arm | | | | | | | | | | | | | | | | | | | | | | | | | | | | | | |
| RU part name | Рычаг привода тормозов задней оси левый | | | | | | | | | | | | | | | | | | | | | | | | | | | | | | |
| Size:mm | 225*115*90 | | | | | | | | | | | | | | | | | | | | | | | | | | | | | | |
| Weight:kg | 2.9 | | | | | | | | | | | | | | | | | | | | | | | | | | | | | | |
| NO. | NO.77-10 | | | | | | | | | | | | | | | | | | | | | | | | | | | | | | |
| | | Remarks: SHACMAN F3000 F2000 X3000 M3000 8*4 6*4 HDSTR | | | | | | | | | | | | | | | | | | | | | | | | | | | | | |

SHACMAN(1)

| | | | | | | | | | | | | | | | | | | | | | | | | | | | | | | | |
|---|--|--|----------------|--------------|---------|--------------|-------------------------------|--------------|--------------------------------|---------|-------------|-----------|------|-----|-----------------|---|---|----------|------------------|--------------|--------------|--------------|---------------------------|--------------|--------------------------------|---------|-----------|-----------|------|-----|----------------|
|  | <table border="1"> <tr><td>Part No.</td><td>199014340041</td></tr> <tr><td>CH part name</td><td>中后凸轮轴支架</td></tr> <tr><td>EN part name</td><td>Camshaft bracket</td></tr> <tr><td>RU part name</td><td>распределительный вал от</td></tr> <tr><td>Size:mm</td><td></td></tr> <tr><td>Weight:kg</td><td>0.65</td></tr> <tr><td>NO.</td><td>NO.77-12</td></tr> </table> | Part No. | 199014340041 | CH part name | 中后凸轮轴支架 | EN part name | Camshaft bracket | RU part name | распределительный вал от | Size:mm | | Weight:kg | 0.65 | NO. | NO.77-12 |  | <table border="1"> <tr><td>Part No.</td><td>Q151B2040TF2</td></tr> <tr><td>CH part name</td><td>六角头螺栓</td></tr> <tr><td>EN part name</td><td>Hexagonal head bolt</td></tr> <tr><td>RU part name</td><td>Наговор болт</td></tr> <tr><td>Size:mm</td><td></td></tr> <tr><td>Weight:kg</td><td>0.04</td></tr> <tr><td>NO.</td><td>NO.77-3</td></tr> </table> | Part No. | Q151B2040TF2 | CH part name | 六角头螺栓 | EN part name | Hexagonal head bolt | RU part name | Наговор болт | Size:mm | | Weight:kg | 0.04 | NO. | NO.77-3 |
| Part No. | 199014340041 | | | | | | | | | | | | | | | | | | | | | | | | | | | | | | |
| CH part name | 中后凸轮轴支架 | | | | | | | | | | | | | | | | | | | | | | | | | | | | | | |
| EN part name | Camshaft bracket | | | | | | | | | | | | | | | | | | | | | | | | | | | | | | |
| RU part name | распределительный вал от | | | | | | | | | | | | | | | | | | | | | | | | | | | | | | |
| Size:mm | | | | | | | | | | | | | | | | | | | | | | | | | | | | | | | |
| Weight:kg | 0.65 | | | | | | | | | | | | | | | | | | | | | | | | | | | | | | |
| NO. | NO.77-12 | | | | | | | | | | | | | | | | | | | | | | | | | | | | | | |
| Part No. | Q151B2040TF2 | | | | | | | | | | | | | | | | | | | | | | | | | | | | | | |
| CH part name | 六角头螺栓 | | | | | | | | | | | | | | | | | | | | | | | | | | | | | | |
| EN part name | Hexagonal head bolt | | | | | | | | | | | | | | | | | | | | | | | | | | | | | | |
| RU part name | Наговор болт | | | | | | | | | | | | | | | | | | | | | | | | | | | | | | |
| Size:mm | | | | | | | | | | | | | | | | | | | | | | | | | | | | | | | |
| Weight:kg | 0.04 | | | | | | | | | | | | | | | | | | | | | | | | | | | | | | |
| NO. | NO.77-3 | | | | | | | | | | | | | | | | | | | | | | | | | | | | | | |
| Remarks: SHACMAN F3000 F2000 X3000 M3000 8*4 6*4 HDSTR | | Remarks: SHACMAN F3000 F2000 X3000 M3000 8*4 6*4 HDSTR | | | | | | | | | | | | | | | | | | | | | | | | | | | | | |
|  | <table border="1"> <tr><td>Part No.</td><td>DZ9100580315</td></tr> <tr><td>CH part name</td><td>电磁阀ABS</td></tr> <tr><td>EN part name</td><td>Solenoid valve</td></tr> <tr><td>RU part name</td><td>Клапан пневм.электромагн</td></tr> <tr><td>Size:mm</td><td>150*140*140</td></tr> <tr><td>Weight:kg</td><td>0.42</td></tr> <tr><td>NO.</td><td>NO.78-12</td></tr> </table> | Part No. | DZ9100580315 | CH part name | 电磁阀ABS | EN part name | Solenoid valve | RU part name | Клапан пневм.электромагн | Size:mm | 150*140*140 | Weight:kg | 0.42 | NO. | NO.78-12 |  | <table border="1"> <tr><td>Part No.</td><td>DZ9100770703</td></tr> <tr><td>CH part name</td><td>ABS底盘电线束</td></tr> <tr><td>EN part name</td><td>ABS chassis electric wire</td></tr> <tr><td>RU part name</td><td>абс шасси электрический провод</td></tr> <tr><td>Size:mm</td><td></td></tr> <tr><td>Weight:kg</td><td>0.56</td></tr> <tr><td>NO.</td><td>NO.78-7</td></tr> </table> | Part No. | DZ9100770703 | CH part name | ABS底盘电线束 | EN part name | ABS chassis electric wire | RU part name | абс шасси электрический провод | Size:mm | | Weight:kg | 0.56 | NO. | NO.78-7 |
| Part No. | DZ9100580315 | | | | | | | | | | | | | | | | | | | | | | | | | | | | | | |
| CH part name | 电磁阀ABS | | | | | | | | | | | | | | | | | | | | | | | | | | | | | | |
| EN part name | Solenoid valve | | | | | | | | | | | | | | | | | | | | | | | | | | | | | | |
| RU part name | Клапан пневм.электромагн | | | | | | | | | | | | | | | | | | | | | | | | | | | | | | |
| Size:mm | 150*140*140 | | | | | | | | | | | | | | | | | | | | | | | | | | | | | | |
| Weight:kg | 0.42 | | | | | | | | | | | | | | | | | | | | | | | | | | | | | | |
| NO. | NO.78-12 | | | | | | | | | | | | | | | | | | | | | | | | | | | | | | |
| Part No. | DZ9100770703 | | | | | | | | | | | | | | | | | | | | | | | | | | | | | | |
| CH part name | ABS底盘电线束 | | | | | | | | | | | | | | | | | | | | | | | | | | | | | | |
| EN part name | ABS chassis electric wire | | | | | | | | | | | | | | | | | | | | | | | | | | | | | | |
| RU part name | абс шасси электрический провод | | | | | | | | | | | | | | | | | | | | | | | | | | | | | | |
| Size:mm | | | | | | | | | | | | | | | | | | | | | | | | | | | | | | | |
| Weight:kg | 0.56 | | | | | | | | | | | | | | | | | | | | | | | | | | | | | | |
| NO. | NO.78-7 | | | | | | | | | | | | | | | | | | | | | | | | | | | | | | |
| Remarks: SHACMAN F3000 F2000 X3000 M3000 8*4 6*4 HDSTR MAN | | Remarks: SHACMAN F3000 F2000 X3000 M3000 8*4 DZ93319773040 DZ93259774831 | | | | | | | | | | | | | | | | | | | | | | | | | | | | | |
|  | <table border="1"> <tr><td>Part No.</td><td>DZ91005802096M</td></tr> <tr><td>CH part name</td><td>ABS控制器</td></tr> <tr><td>EN part name</td><td>ECU control case</td></tr> <tr><td>RU part name</td><td>ECU контроль дело</td></tr> <tr><td>Size:mm</td><td></td></tr> <tr><td>Weight:kg</td><td>0.3</td></tr> <tr><td>NO.</td><td>NO.78-1</td></tr> </table> | Part No. | DZ91005802096M | CH part name | ABS控制器 | EN part name | ECU control case | RU part name | ECU контроль дело | Size:mm | | Weight:kg | 0.3 | NO. | NO.78-1 |  | <table border="1"> <tr><td>Part No.</td><td>DZ9100770032</td></tr> <tr><td>CH part name</td><td>ABS螺旋形柔性电缆总成</td></tr> <tr><td>EN part name</td><td>ABS cable assembly</td></tr> <tr><td>RU part name</td><td>абс кабель ассамблеи</td></tr> <tr><td>Size:mm</td><td></td></tr> <tr><td>Weight:kg</td><td>0.79</td></tr> <tr><td>NO.</td><td>NO.78-6</td></tr> </table> | Part No. | DZ9100770032 | CH part name | ABS螺旋形柔性电缆总成 | EN part name | ABS cable assembly | RU part name | абс кабель ассамблеи | Size:mm | | Weight:kg | 0.79 | NO. | NO.78-6 |
| Part No. | DZ91005802096M | | | | | | | | | | | | | | | | | | | | | | | | | | | | | | |
| CH part name | ABS控制器 | | | | | | | | | | | | | | | | | | | | | | | | | | | | | | |
| EN part name | ECU control case | | | | | | | | | | | | | | | | | | | | | | | | | | | | | | |
| RU part name | ECU контроль дело | | | | | | | | | | | | | | | | | | | | | | | | | | | | | | |
| Size:mm | | | | | | | | | | | | | | | | | | | | | | | | | | | | | | | |
| Weight:kg | 0.3 | | | | | | | | | | | | | | | | | | | | | | | | | | | | | | |
| NO. | NO.78-1 | | | | | | | | | | | | | | | | | | | | | | | | | | | | | | |
| Part No. | DZ9100770032 | | | | | | | | | | | | | | | | | | | | | | | | | | | | | | |
| CH part name | ABS螺旋形柔性电缆总成 | | | | | | | | | | | | | | | | | | | | | | | | | | | | | | |
| EN part name | ABS cable assembly | | | | | | | | | | | | | | | | | | | | | | | | | | | | | | |
| RU part name | абс кабель ассамблеи | | | | | | | | | | | | | | | | | | | | | | | | | | | | | | |
| Size:mm | | | | | | | | | | | | | | | | | | | | | | | | | | | | | | | |
| Weight:kg | 0.79 | | | | | | | | | | | | | | | | | | | | | | | | | | | | | | |
| NO. | NO.78-6 | | | | | | | | | | | | | | | | | | | | | | | | | | | | | | |
| Remarks: SHACMAN F3000 F2000 X3000 M3000 DZ9100580209 | | Remarks: SHACMAN F3000 F2000 X3000 M3000 | | | | | | | | | | | | | | | | | | | | | | | | | | | | | |
|  | <table border="1"> <tr><td>Part No.</td><td>AZ9100360067</td></tr> <tr><td>CH part name</td><td>四回路保护阀</td></tr> <tr><td>EN part name</td><td>Four circuit protection valve</td></tr> <tr><td>RU part name</td><td>Клапан защитный 4-х секционный</td></tr> <tr><td>Size:mm</td><td>150*140*140</td></tr> <tr><td>Weight:kg</td><td>0.85</td></tr> <tr><td>NO.</td><td>NO.78-6</td></tr> </table> | Part No. | AZ9100360067 | CH part name | 四回路保护阀 | EN part name | Four circuit protection valve | RU part name | Клапан защитный 4-х секционный | Size:mm | 150*140*140 | Weight:kg | 0.85 | NO. | NO.78-6 |  | <table border="1"> <tr><td>Part No.</td><td>DZ93189360006/04</td></tr> <tr><td>CH part name</td><td>空压机软管</td></tr> <tr><td>EN part name</td><td>Rubber</td></tr> <tr><td>RU part name</td><td>резина</td></tr> <tr><td>Size:mm</td><td>440*25*25</td></tr> <tr><td>Weight:kg</td><td>0.15</td></tr> <tr><td>NO.</td><td>NO.78-7</td></tr> </table> | Part No. | DZ93189360006/04 | CH part name | 空压机软管 | EN part name | Rubber | RU part name | резина | Size:mm | 440*25*25 | Weight:kg | 0.15 | NO. | NO.78-7 |
| Part No. | AZ9100360067 | | | | | | | | | | | | | | | | | | | | | | | | | | | | | | |
| CH part name | 四回路保护阀 | | | | | | | | | | | | | | | | | | | | | | | | | | | | | | |
| EN part name | Four circuit protection valve | | | | | | | | | | | | | | | | | | | | | | | | | | | | | | |
| RU part name | Клапан защитный 4-х секционный | | | | | | | | | | | | | | | | | | | | | | | | | | | | | | |
| Size:mm | 150*140*140 | | | | | | | | | | | | | | | | | | | | | | | | | | | | | | |
| Weight:kg | 0.85 | | | | | | | | | | | | | | | | | | | | | | | | | | | | | | |
| NO. | NO.78-6 | | | | | | | | | | | | | | | | | | | | | | | | | | | | | | |
| Part No. | DZ93189360006/04 | | | | | | | | | | | | | | | | | | | | | | | | | | | | | | |
| CH part name | 空压机软管 | | | | | | | | | | | | | | | | | | | | | | | | | | | | | | |
| EN part name | Rubber | | | | | | | | | | | | | | | | | | | | | | | | | | | | | | |
| RU part name | резина | | | | | | | | | | | | | | | | | | | | | | | | | | | | | | |
| Size:mm | 440*25*25 | | | | | | | | | | | | | | | | | | | | | | | | | | | | | | |
| Weight:kg | 0.15 | | | | | | | | | | | | | | | | | | | | | | | | | | | | | | |
| NO. | NO.78-7 | | | | | | | | | | | | | | | | | | | | | | | | | | | | | | |
| Remarks: SHACMAN F3000 F2000 X3000 M3000 | | Remarks: DZ93319360018 DZ93189360007 DZ93189360008 DZ93319360024 DZ93319360023 | | | | | | | | | | | | | | | | | | | | | | | | | | | | | |

SHACMAN(1)

| ABS braking device | | NO.78 | | | |
|---|--------------|---|--|--------------------------------|--------------|
|  | | KD1446 | | | |
| | |  | Part No. | 81.52151.6094 | |
| | | | CH part name | 四回路保护阀 | |
| | | | EN part name | Four circuit protection valve | |
| | | | RU part name | Клапан защитный 4-х секционный | |
| | | | Size:mm | 150*140*140 | |
| | | | Weight:kg | 0.85 | |
| | | NO. | NO.78-6 | | |
| Remarks: SHACMAN F3000 F2000 X3000 M3000 | | | | | |
|  | | KD1447 | | | |
| | |  | Part No. | AZ9100368471 | |
| | | | CH part name | 干燥器总成 | |
| | | | EN part name | Air dryer assy. | |
| | | | RU part name | Осушитель воздуха в сборе | |
| | | | Size:mm | 250*180*150 | |
| | | | Weight:kg | 3.5 | |
| | | NO. | NO.78 | | |
| Remarks: SHACMAN F3000 F2000 X3000 M3000 | | | | | |
| KD1448 | | KD1449 | | | |
|  | Part No. | DZ9100369472 | Part No. | DZ95189362020 | |
| | CH part name | 干燥器总成 | CH part name | 干燥器总成 | |
| | EN part name | Air dryer assy. | EN part name | Air dryer assy. | |
| | RU part name | Осушитель воздуха в сборе | RU part name | Осушитель воздуха в сборе | |
| | Size:mm | 250*180*150 | Size:mm | 250*180*150 | |
| | Weight:kg | 3.5 | Weight:kg | 3.5 | |
| | | NO. | NO.78 | NO. | NO.78 |
| Remarks: SHACMAN F3000 F2000 X3000 M3000 | | | Remarks: SHACMAN F3000 F2000 X3000 M3000 | | |
| KD1450 | | KD1451 | | | |
|  | Part No. | DZ91189360016 | Part No. | DZ93189270001 | |
| | CH part name | 干燥器总成 | CH part name | 电喇叭 | |
| | EN part name | Air dryer assy. | EN part name | Pnumatic horn | |
| | RU part name | Осушитель воздуха в сборе | RU part name | Пневматический звуковой сигнал | |
| | Size:mm | 250*180*150 | Size:mm | 400*100*100 | |
| | Weight:kg | 3.5 | Weight:kg | 0.7 | |
| | | NO. | NO.78 | NO. | NO.78 |
| Remarks: SHACMAN F3000 F2000 X3000 M3000 | | | Remarks: SHACMAN F3000 F2000 X3000 M3000 | | |

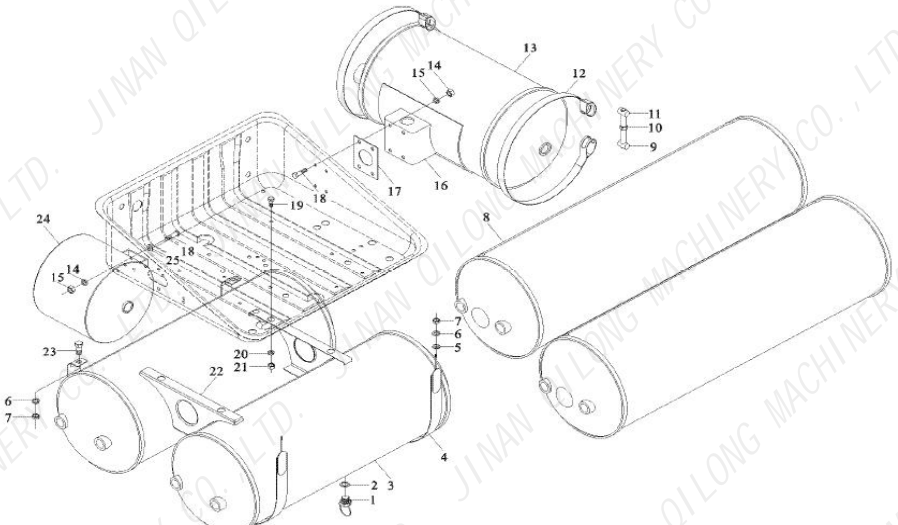





SHACMAN(1)

| | | | |
|---|--|---|---|
|  | <p>Part No. DZ93189270001</p> <p>CH part name 电喇叭</p> <p>EN part name Pnumatic horn</p> <p>RU part name Пневматический звуковой сигнал</p> <p>Size:mm 400*100*100</p> <p>Weight:kg 0.7</p> <p>NO. NO.78</p> |  | <p>Part No. 81.25301.6066</p> <p>CH part name 电喇叭</p> <p>EN part name Pnumatic horn</p> <p>RU part name Пневматический звуковой сигнал</p> <p>Size:mm 100*54</p> <p>Weight:kg 0.5</p> <p>NO. NO.78</p> |
| Remarks: SHACMAN F3000 F2000 X3000 M3000 | | Remarks: SHACMAN F3000 F2000 X3000 新M3000 | |
|  | <p>Part No. AZ9100360310</p> <p>CH part name 单向阀</p> <p>EN part name Cheek valve</p> <p>RU part name Чик клапан</p> <p>Size:mm 100*45*45</p> <p>Weight:kg 0.21</p> <p>NO. NO.78</p> |  | <p>Part No. DZ9100360330</p> <p>CH part name 挂车制动阀</p> <p>EN part name Trailer valve</p> <p>RU part name Трейлер клапан</p> <p>Size:mm 110*140*120</p> <p>Weight:kg 2.5</p> <p>NO. NO.78</p> |
| Remarks: SHACMAN F3000 F2000 X3000 M3000 | | Remarks: SHACMAN F3000 F2000 X3000 M3000 | |
|  | <p>Part No. DZ9100716008</p> <p>CH part name 两位三通电磁阀</p> <p>EN part name Solenoid valve</p> <p>RU part name Клапан пневм.электромагн</p> <p>Size:mm 109*65*42</p> <p>Weight:kg 0.49</p> <p>NO. NO.78</p> |  | <p>Part No. 179100710057</p> <p>CH part name 两位三通电磁阀</p> <p>EN part name Solenoid valve</p> <p>RU part name Клапан пневм.электромагн</p> <p>Size:mm 109*65*42</p> <p>Weight:kg 0.49</p> <p>NO. NO.78</p> |
| Remarks: SHACMAN F3000 F2000 X3000 M3000 | | Remarks: SHACMAN F3000 F2000 X3000 M3000 | |
|  | <p>Part No. 179100710008</p> <p>CH part name 电磁阀</p> <p>EN part name Solenoid valve</p> <p>RU part name Клапан пневм.электромагн</p> <p>Size:mm 109*65*42</p> <p>Weight:kg 0.49</p> <p>NO. NO.78</p> |  | <p>Part No. 81.52116.6070</p> <p>CH part name 继动阀</p> <p>EN part name Relay valve</p> <p>RU part name реле клапан</p> <p>Size:mm 110*140*120</p> <p>Weight:kg 0.8</p> <p>NO. NO.78</p> |
| Remarks: SHACMAN F3000 F2000 X3000 M3000 | | Remarks: SHACMAN F3000 F2000 X3000 M3000 AZ9014360047 | |

SHACMAN(1)

| | | | | | | | | | | | | | | | | | | | | | | | | | | | | | | | |
|--|--|--|--------------|--------------|--------|--------------|-----------------|--------------|----------------------|---------|-------------|-----------|------|-----|-----------------|---|--|----------|---------------|--------------|--------|--------------|-------------|--------------|-----------------|---------|-------------|-----------|------|-----|-----------------|
|  | <table border="1"> <tr><td>Part No.</td><td>AZ9100369087</td></tr> <tr><td>CH part name</td><td>贮气筒20L</td></tr> <tr><td>EN part name</td><td>Air tank</td></tr> <tr><td>RU part name</td><td>воздух цистерна</td></tr> <tr><td>Size:mm</td><td>500*350*300</td></tr> <tr><td>Weight:kg</td><td>2.3</td></tr> <tr><td>NO.</td><td>NO.79-13</td></tr> </table> | Part No. | AZ9100369087 | CH part name | 贮气筒20L | EN part name | Air tank | RU part name | воздух цистерна | Size:mm | 500*350*300 | Weight:kg | 2.3 | NO. | NO.79-13 |  | <table border="1"> <tr><td>Part No.</td><td>81.52116.6071</td></tr> <tr><td>CH part name</td><td>继动阀</td></tr> <tr><td>EN part name</td><td>Relay valve</td></tr> <tr><td>RU part name</td><td>реле клапан</td></tr> <tr><td>Size:mm</td><td>110*140*120</td></tr> <tr><td>Weight:kg</td><td>0.8</td></tr> <tr><td>NO.</td><td>NO.78</td></tr> </table> | Part No. | 81.52116.6071 | CH part name | 继动阀 | EN part name | Relay valve | RU part name | реле клапан | Size:mm | 110*140*120 | Weight:kg | 0.8 | NO. | NO.78 |
| Part No. | AZ9100369087 | | | | | | | | | | | | | | | | | | | | | | | | | | | | | | |
| CH part name | 贮气筒20L | | | | | | | | | | | | | | | | | | | | | | | | | | | | | | |
| EN part name | Air tank | | | | | | | | | | | | | | | | | | | | | | | | | | | | | | |
| RU part name | воздух цистерна | | | | | | | | | | | | | | | | | | | | | | | | | | | | | | |
| Size:mm | 500*350*300 | | | | | | | | | | | | | | | | | | | | | | | | | | | | | | |
| Weight:kg | 2.3 | | | | | | | | | | | | | | | | | | | | | | | | | | | | | | |
| NO. | NO.79-13 | | | | | | | | | | | | | | | | | | | | | | | | | | | | | | |
| Part No. | 81.52116.6071 | | | | | | | | | | | | | | | | | | | | | | | | | | | | | | |
| CH part name | 继动阀 | | | | | | | | | | | | | | | | | | | | | | | | | | | | | | |
| EN part name | Relay valve | | | | | | | | | | | | | | | | | | | | | | | | | | | | | | |
| RU part name | реле клапан | | | | | | | | | | | | | | | | | | | | | | | | | | | | | | |
| Size:mm | 110*140*120 | | | | | | | | | | | | | | | | | | | | | | | | | | | | | | |
| Weight:kg | 0.8 | | | | | | | | | | | | | | | | | | | | | | | | | | | | | | |
| NO. | NO.78 | | | | | | | | | | | | | | | | | | | | | | | | | | | | | | |
| Remarks: SHACMAN F3000 F2000 X3000 M3000 DZ93189360207 | | Remarks: SHACMAN F3000 F2000 X3000 M3000 | | | | | | | | | | | | | | | | | | | | | | | | | | | | | |
|  | <table border="1"> <tr><td>Part No.</td><td>AZ9100367002</td></tr> <tr><td>CH part name</td><td>储气罐5L</td></tr> <tr><td>EN part name</td><td>5l air tank</td></tr> <tr><td>RU part name</td><td>5 л воздуха цистерны</td></tr> <tr><td>Size:mm</td><td></td></tr> <tr><td>Weight:kg</td><td>2.3</td></tr> <tr><td>NO.</td><td>NO.79-24</td></tr> </table> | Part No. | AZ9100367002 | CH part name | 储气罐5L | EN part name | 5l air tank | RU part name | 5 л воздуха цистерны | Size:mm | | Weight:kg | 2.3 | NO. | NO.79-24 |  | <table border="1"> <tr><td>Part No.</td><td>AZ9100369094</td></tr> <tr><td>CH part name</td><td>储气罐30L</td></tr> <tr><td>EN part name</td><td>Air tank</td></tr> <tr><td>RU part name</td><td>воздух цистерна</td></tr> <tr><td>Size:mm</td><td></td></tr> <tr><td>Weight:kg</td><td>2.8</td></tr> <tr><td>NO.</td><td>NO.79-3</td></tr> </table> | Part No. | AZ9100369094 | CH part name | 储气罐30L | EN part name | Air tank | RU part name | воздух цистерна | Size:mm | | Weight:kg | 2.8 | NO. | NO.79-3 |
| Part No. | AZ9100367002 | | | | | | | | | | | | | | | | | | | | | | | | | | | | | | |
| CH part name | 储气罐5L | | | | | | | | | | | | | | | | | | | | | | | | | | | | | | |
| EN part name | 5l air tank | | | | | | | | | | | | | | | | | | | | | | | | | | | | | | |
| RU part name | 5 л воздуха цистерны | | | | | | | | | | | | | | | | | | | | | | | | | | | | | | |
| Size:mm | | | | | | | | | | | | | | | | | | | | | | | | | | | | | | | |
| Weight:kg | 2.3 | | | | | | | | | | | | | | | | | | | | | | | | | | | | | | |
| NO. | NO.79-24 | | | | | | | | | | | | | | | | | | | | | | | | | | | | | | |
| Part No. | AZ9100369094 | | | | | | | | | | | | | | | | | | | | | | | | | | | | | | |
| CH part name | 储气罐30L | | | | | | | | | | | | | | | | | | | | | | | | | | | | | | |
| EN part name | Air tank | | | | | | | | | | | | | | | | | | | | | | | | | | | | | | |
| RU part name | воздух цистерна | | | | | | | | | | | | | | | | | | | | | | | | | | | | | | |
| Size:mm | | | | | | | | | | | | | | | | | | | | | | | | | | | | | | | |
| Weight:kg | 2.8 | | | | | | | | | | | | | | | | | | | | | | | | | | | | | | |
| NO. | NO.79-3 | | | | | | | | | | | | | | | | | | | | | | | | | | | | | | |
| Remarks: SHACMAN F3000 F2000 X3000 M3000 | | Remarks: SHACMAN F3000 F2000 X3000 M3000 81.51401.0212 | | | | | | | | | | | | | | | | | | | | | | | | | | | | | |
|  | <table border="1"> <tr><td>Part No.</td><td>AZ9100369097</td></tr> <tr><td>CH part name</td><td>储气罐40L</td></tr> <tr><td>EN part name</td><td>Air tank</td></tr> <tr><td>RU part name</td><td>воздух цистерна</td></tr> <tr><td>Size:mm</td><td></td></tr> <tr><td>Weight:kg</td><td>3.2</td></tr> <tr><td>NO.</td><td>NO.79-8</td></tr> </table> | Part No. | AZ9100369097 | CH part name | 储气罐40L | EN part name | Air tank | RU part name | воздух цистерна | Size:mm | | Weight:kg | 3.2 | NO. | NO.79-8 |  | <table border="1"> <tr><td>Part No.</td><td>DZ93189360194</td></tr> <tr><td>CH part name</td><td>储气罐4L</td></tr> <tr><td>EN part name</td><td>Air tank</td></tr> <tr><td>RU part name</td><td>воздух цистерна</td></tr> <tr><td>Size:mm</td><td></td></tr> <tr><td>Weight:kg</td><td>19.8</td></tr> <tr><td>NO.</td><td>NO.79-24</td></tr> </table> | Part No. | DZ93189360194 | CH part name | 储气罐4L | EN part name | Air tank | RU part name | воздух цистерна | Size:mm | | Weight:kg | 19.8 | NO. | NO.79-24 |
| Part No. | AZ9100369097 | | | | | | | | | | | | | | | | | | | | | | | | | | | | | | |
| CH part name | 储气罐40L | | | | | | | | | | | | | | | | | | | | | | | | | | | | | | |
| EN part name | Air tank | | | | | | | | | | | | | | | | | | | | | | | | | | | | | | |
| RU part name | воздух цистерна | | | | | | | | | | | | | | | | | | | | | | | | | | | | | | |
| Size:mm | | | | | | | | | | | | | | | | | | | | | | | | | | | | | | | |
| Weight:kg | 3.2 | | | | | | | | | | | | | | | | | | | | | | | | | | | | | | |
| NO. | NO.79-8 | | | | | | | | | | | | | | | | | | | | | | | | | | | | | | |
| Part No. | DZ93189360194 | | | | | | | | | | | | | | | | | | | | | | | | | | | | | | |
| CH part name | 储气罐4L | | | | | | | | | | | | | | | | | | | | | | | | | | | | | | |
| EN part name | Air tank | | | | | | | | | | | | | | | | | | | | | | | | | | | | | | |
| RU part name | воздух цистерна | | | | | | | | | | | | | | | | | | | | | | | | | | | | | | |
| Size:mm | | | | | | | | | | | | | | | | | | | | | | | | | | | | | | | |
| Weight:kg | 19.8 | | | | | | | | | | | | | | | | | | | | | | | | | | | | | | |
| NO. | NO.79-24 | | | | | | | | | | | | | | | | | | | | | | | | | | | | | | |
| Remarks: SHACMAN F3000 F2000 X3000 M3000 | | Remarks: SHACMAN F3000 F2000 X3000 M3000 81.51401.0194 | | | | | | | | | | | | | | | | | | | | | | | | | | | | | |
|  | <table border="1"> <tr><td>Part No.</td><td>199100360173</td></tr> <tr><td>CH part name</td><td>储气罐紧固带</td></tr> <tr><td>EN part name</td><td>Fastening strap</td></tr> <tr><td>RU part name</td><td>fastening лямки</td></tr> <tr><td>Size:mm</td><td></td></tr> <tr><td>Weight:kg</td><td>0.12</td></tr> <tr><td>NO.</td><td>NO.79-4</td></tr> </table> | Part No. | 199100360173 | CH part name | 储气罐紧固带 | EN part name | Fastening strap | RU part name | fastening лямки | Size:mm | | Weight:kg | 0.12 | NO. | NO.79-4 |  | <table border="1"> <tr><td>Part No.</td><td>81.51401.0210</td></tr> <tr><td>CH part name</td><td>储气罐25L</td></tr> <tr><td>EN part name</td><td>Air tank</td></tr> <tr><td>RU part name</td><td>воздух цистерна</td></tr> <tr><td>Size:mm</td><td></td></tr> <tr><td>Weight:kg</td><td>2.45</td></tr> <tr><td>NO.</td><td>NO.79-3</td></tr> </table> | Part No. | 81.51401.0210 | CH part name | 储气罐25L | EN part name | Air tank | RU part name | воздух цистерна | Size:mm | | Weight:kg | 2.45 | NO. | NO.79-3 |
| Part No. | 199100360173 | | | | | | | | | | | | | | | | | | | | | | | | | | | | | | |
| CH part name | 储气罐紧固带 | | | | | | | | | | | | | | | | | | | | | | | | | | | | | | |
| EN part name | Fastening strap | | | | | | | | | | | | | | | | | | | | | | | | | | | | | | |
| RU part name | fastening лямки | | | | | | | | | | | | | | | | | | | | | | | | | | | | | | |
| Size:mm | | | | | | | | | | | | | | | | | | | | | | | | | | | | | | | |
| Weight:kg | 0.12 | | | | | | | | | | | | | | | | | | | | | | | | | | | | | | |
| NO. | NO.79-4 | | | | | | | | | | | | | | | | | | | | | | | | | | | | | | |
| Part No. | 81.51401.0210 | | | | | | | | | | | | | | | | | | | | | | | | | | | | | | |
| CH part name | 储气罐25L | | | | | | | | | | | | | | | | | | | | | | | | | | | | | | |
| EN part name | Air tank | | | | | | | | | | | | | | | | | | | | | | | | | | | | | | |
| RU part name | воздух цистерна | | | | | | | | | | | | | | | | | | | | | | | | | | | | | | |
| Size:mm | | | | | | | | | | | | | | | | | | | | | | | | | | | | | | | |
| Weight:kg | 2.45 | | | | | | | | | | | | | | | | | | | | | | | | | | | | | | |
| NO. | NO.79-3 | | | | | | | | | | | | | | | | | | | | | | | | | | | | | | |
| Remarks: SHACMAN F3000 F2000 X3000 M3000 | | Remarks: SHACMAN F3000 F2000 X3000 M3000 SZ905000008 | | | | | | | | | | | | | | | | | | | | | | | | | | | | | |

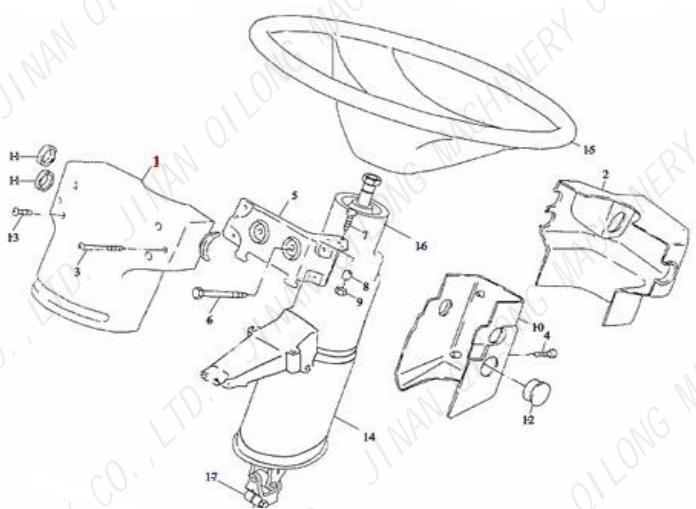






SHACMAN(1)

| AIR TANK FIXING | | NO.79 | |
|---|---|---|--|
|  | KD1468 | | |
| |  | | |
| | Part No. | 199100360108 | |
| | CH part name | 储气罐紧固带 | |
| | EN part name | Fastening strap | |
| | RU part name | fastening лямки | |
| | Size:mm | | |
| | Weight:kg | 0.11 | |
| | NO. | NO.79-12 | |
| | Remarks: SHACMAN F3000 F2000 X3000 M3000 | | |
| KD1469 | | | |
|  | | | |
| Part No. | 81.97460.6037 | | |
| CH part name | 储气罐紧固带25L | | |
| EN part name | Fastening strap | | |
| RU part name | fastening лямки | | |
| Size:mm | | | |
| Weight:kg | 0.11 | | |
| NO. | NO.79-12 | | |
| Remarks: SHACMAN F3000 F2000 X3000 M3000 | | | |
| KD1470 | | KD1471 | |
|  | Part No. | 199100360101 | |
| | CH part name | 隔板 | |
| | EN part name | Distance plate | |
| | RU part name | расстояние плата | |
| | Size:mm | | |
| | Weight:kg | 0.56 | |
| | NO. | NO.79-22 | |
| Remarks: SHACMAN F3000 F2000 X3000 M3000 | | | |
| KD1472 | | KD1473 | |
|  | Part No. | 06.67760.0514 | |
| | CH part name | 卡箍4L | |
| | EN part name | Fastening strap | |
| | RU part name | fastening лямки | |
| | Size:mm | | |
| | Weight:kg | 0.4 | |
| | NO. | NO.79-24 | |
| Remarks: SHACMAN F3000 F2000 X3000 M3000 | | | |
| | |  | |
| Part No. | DZ95189362002 | | |
| CH part name | 辅助用气接头组 | | |
| EN part name | Fitting assemble for assistant use | | |
| RU part name | уместно использовать соберутся для помощника | | |
| Size:mm | | | |
| Weight:kg | 0.55 | | |
| NO. | NO.79 | | |
| Remarks: SHACMAN F3000 F2000 X3000 M3000 | | Remarks: SHACMAN F3000 F2000 X3000 M3000 DZ9100360260 | |





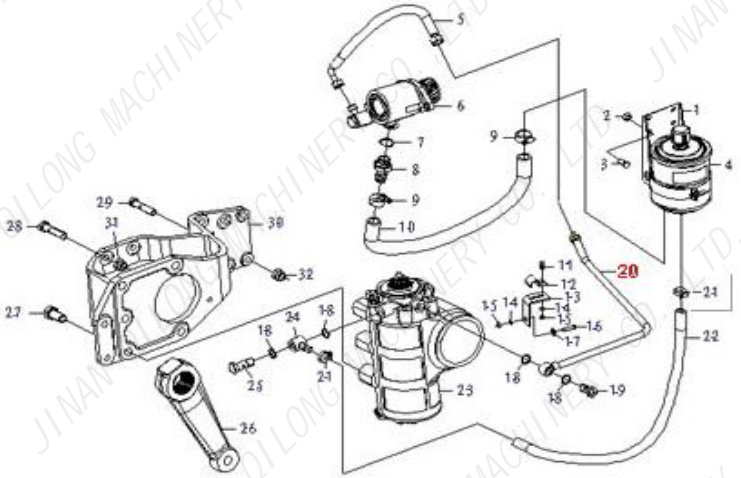


SHACMAN(1)

| | | | | | |
|---|--------------|------------------------|---|--------------|------------------------|
| KD1474 | | | KD1475 | | |
|  | Part No. | 81.52101.6269 |  | Part No. | 81.51260.6054 |
| | CH part name | 限压阀 | | CH part name | 储气罐放水阀 |
| | EN part name | Pressure limited | | EN part name | Valve |
| | RU part name | давление только | | RU part name | клапан |
| | Size:mm | | | Size:mm | 30*30 |
| | Weight:kg | 0.3 | | Weight:kg | 0.05 |
| | NO. | NO.79 | | NO. | NO.79 |
| Remarks: SHACMAN F3000 F2000 X3000 M3000 | | | Remarks: SHACMAN F3000 F2000 X3000 M3000 | | |
| KD1476 | | | KD1477 | | |
|  | Part No. | 81.46113.0095 |  | Part No. | 81.46113.0094 |
| | CH part name | 转向管住护盖 | | CH part name | 转向管住护盖 |
| | EN part name | Protection cover | | EN part name | Protection cover |
| | RU part name | защита охватывала | | RU part name | защита охватывала |
| | Size:mm | | | Size:mm | |
| | Weight:kg | 0.025 | | Weight:kg | 0.015 |
| | NO. | NO.80-1 | | NO. | NO.80-2 |
| Remarks: SHACMAN F3000 F2000 X3000 M3000 | | | Remarks: SHACMAN F3000 F2000 X3000 M3000 | | |
| KD1478 | | | KD1479 | | |
|  | Part No. | 81.46132.0074 |  | Part No. | 81.46132.0076 |
| | CH part name | 转向管住下波纹管 | | CH part name | 转向管住下波纹管右置 |
| | EN part name | Ripple pipe assy | | EN part name | Ripple pipe assy |
| | RU part name | волновой трубы, астрид | | RU part name | волновой трубы, астрид |
| | Size:mm | | | Size:mm | |
| | Weight:kg | 0.56 | | Weight:kg | 0.56 |
| | NO. | NO.80-14 | | NO. | NO.80-14 |
| Remarks: SHACMAN F3000 F2000 X3000 M3000 | | | Remarks: SHACMAN F3000 F2000 X3000 M3000 | | |
| KD1480 | | | KD1481 | | |
|  | Part No. | DZ93189470031 |  | Part No. | DZ9112470001 |
| | CH part name | 转向管住右置 | | CH part name | 转向管住 |
| | EN part name | Steering column assy | | EN part name | Steering column assy |
| | RU part name | рулевой колонки астрид | | RU part name | рулевой колонки астрид |
| | Size:mm | | | Size:mm | |
| | Weight:kg | 5.5 | | Weight:kg | 5.5 |
| | NO. | NO.80-16 | | NO. | NO.80-16 |
| Remarks: SHACMAN F3000 F2000 X3000 M3000 | | | Remarks: SHACMAN F3000 F2000 X3000 M3000 DZ9112470002 | | |

SHACMAN(1)

| COMBINATION SWITCH AND/STEERING LOCK | | NO.80 | |
|---|---|--|--|
|  | KD1482 | | |
| |  | | |
| | Part No. | DZ93189470038 | |
| | CH part name | 转向管柱总成 | |
| | EN part name | Steering column assy | |
| | RU part name | рулевой колонки астрид | |
| | Size:mm | | |
| | Weight:kg | 5.5 | |
| | NO. | NO.80-16 | |
| | Remarks: SHACMAN F3000 F2000 X3000 M3000 | | |
| KD1483 | | | |
|  | | | |
| Part No. | DZ9112470030 | | |
| CH part name | 方向盘 | | |
| EN part name | Handl wheel | | |
| RU part name | Handl колеса | | |
| Size:mm | | | |
| Weight:kg | 1.8 | | |
| NO. | NO.80-15 | | |
| Remarks: SHACMAN F2000 | | | |
| KD1484 | | | |
|  | Part No. | DZ97189460504 | |
| | CH part name | 方向盘 | |
| | EN part name | Handl wheel | |
| | RU part name | Handl колеса | |
| | Size:mm | | |
| | Weight:kg | 1.8 | |
| | NO. | NO.80-15 | |
| Remarks: SHACMAN F3000 X3000 | | | |
| KD1485 | | | |
|  | | | |
| Part No. | SZ946000718 | | |
| CH part name | 方向盘 | | |
| EN part name | Handl wheel | | |
| RU part name | Handl колеса | | |
| Size:mm | | | |
| Weight:kg | 1.8 | | |
| NO. | NO.80-15 | | |
| Remarks: SHACMAN F3000 | | | |
| KD1486 | | | |
|  | Part No. | 81.46122.6112 | |
| | CH part name | 转向伸缩轴 | |
| | EN part name | Steering drive shaft | |
| | RU part name | Вал гидроусилителя рулевого управления | |
| | Size:mm | 620*55 | |
| | Weight:kg | 3.5 | |
| | NO. | NO.80-17 | |
| Remarks: SHACMAN F3000 F2000 X3000 M3000 | | | |
| KD1487 | | | |
|  | | | |
| Part No. | SZ946000001 | | |
| CH part name | 转向伸缩轴 | | |
| EN part name | Steering drive shaft | | |
| RU part name | Вал гидроусилителя рулевого управления | | |
| Size:mm | 620*55 | | |
| Weight:kg | 3.5 | | |
| NO. | NO.80-17 | | |
| Remarks: SHACMAN F3000 F2000 X3000 M3000 | | | |

SHACMAN(1)

| | | | | | | | | | | | | | | | | | | | | | | | | | | | | | | | |
|---|--|----------------------------|---------------|--|--|--------------|----------------------|--------------|--|-------------------|-------------------|--|--|---------|-----------------|---|---|----------------|----------------|--------------|--------|--------------|--------------------------|--------------|--|---------|-----|-----------|------|-----|----------------|
|  | <table border="1"> <tr><td>Part No.</td><td>AZ9719470044</td></tr> <tr><td>CH part name</td><td>转向伸缩轴</td></tr> <tr><td>EN part name</td><td>Steering drive shaft</td></tr> <tr><td>RU part name</td><td>Вал гидроусилителя рулевого управления</td></tr> <tr><td>Size:mm</td><td>620*55</td></tr> <tr><td>Weight:kg</td><td>3.85</td></tr> <tr><td>NO.</td><td>NO.80-17</td></tr> </table> | Part No. | AZ9719470044 | CH part name | 转向伸缩轴 | EN part name | Steering drive shaft | RU part name | Вал гидроусилителя рулевого управления | Size:mm | 620*55 | Weight:kg | 3.85 | NO. | NO.80-17 |  | <table border="1"> <tr><td>Part No.</td><td>DZ95189470085</td></tr> <tr><td>CH part name</td><td>转向油罐</td></tr> <tr><td>EN part name</td><td>Steering oil tank</td></tr> <tr><td>RU part name</td><td>Бачек гидроусилителя рулевого управления</td></tr> <tr><td>Size:mm</td><td></td></tr> <tr><td>Weight:kg</td><td>1.81</td></tr> <tr><td>NO.</td><td>NO.81-4</td></tr> </table> | Part No. | DZ95189470085 | CH part name | 转向油罐 | EN part name | Steering oil tank | RU part name | Бачек гидроусилителя рулевого управления | Size:mm | | Weight:kg | 1.81 | NO. | NO.81-4 |
| Part No. | AZ9719470044 | | | | | | | | | | | | | | | | | | | | | | | | | | | | | | |
| CH part name | 转向伸缩轴 | | | | | | | | | | | | | | | | | | | | | | | | | | | | | | |
| EN part name | Steering drive shaft | | | | | | | | | | | | | | | | | | | | | | | | | | | | | | |
| RU part name | Вал гидроусилителя рулевого управления | | | | | | | | | | | | | | | | | | | | | | | | | | | | | | |
| Size:mm | 620*55 | | | | | | | | | | | | | | | | | | | | | | | | | | | | | | |
| Weight:kg | 3.85 | | | | | | | | | | | | | | | | | | | | | | | | | | | | | | |
| NO. | NO.80-17 | | | | | | | | | | | | | | | | | | | | | | | | | | | | | | |
| Part No. | DZ95189470085 | | | | | | | | | | | | | | | | | | | | | | | | | | | | | | |
| CH part name | 转向油罐 | | | | | | | | | | | | | | | | | | | | | | | | | | | | | | |
| EN part name | Steering oil tank | | | | | | | | | | | | | | | | | | | | | | | | | | | | | | |
| RU part name | Бачек гидроусилителя рулевого управления | | | | | | | | | | | | | | | | | | | | | | | | | | | | | | |
| Size:mm | | | | | | | | | | | | | | | | | | | | | | | | | | | | | | | |
| Weight:kg | 1.81 | | | | | | | | | | | | | | | | | | | | | | | | | | | | | | |
| NO. | NO.81-4 | | | | | | | | | | | | | | | | | | | | | | | | | | | | | | |
| Remarks: SHACMAN STEYR | | Remarks: SHACMAN X3000 6*4 | | | | | | | | | | | | | | | | | | | | | | | | | | | | | |
|  | <table border="1"> <tr><td>Part No.</td><td>DZ95189470084</td></tr> <tr><td>CH part name</td><td>转向油罐</td></tr> <tr><td>EN part name</td><td>Steering oil tank</td></tr> <tr><td>RU part name</td><td>Бачек гидроусилителя рулевого управления</td></tr> <tr><td>Size:mm</td><td></td></tr> <tr><td>Weight:kg</td><td>1.79</td></tr> <tr><td>NO.</td><td>NO.81-4</td></tr> </table> | Part No. | DZ95189470084 | CH part name | 转向油罐 | EN part name | Steering oil tank | RU part name | Бачек гидроусилителя рулевого управления | Size:mm | | Weight:kg | 1.79 | NO. | NO.81-4 |  | <table border="1"> <tr><td>Part No.</td><td>DZ95189470088</td></tr> <tr><td>CH part name</td><td>转向油罐滤芯</td></tr> <tr><td>EN part name</td><td>Turn the oil tank filter</td></tr> <tr><td>RU part name</td><td>Переключись на резервуар с маслом</td></tr> <tr><td>Size:mm</td><td>176</td></tr> <tr><td>Weight:kg</td><td>0.41</td></tr> <tr><td>NO.</td><td>NO.81-4</td></tr> </table> | Part No. | DZ95189470088 | CH part name | 转向油罐滤芯 | EN part name | Turn the oil tank filter | RU part name | Переключись на резервуар с маслом | Size:mm | 176 | Weight:kg | 0.41 | NO. | NO.81-4 |
| Part No. | DZ95189470084 | | | | | | | | | | | | | | | | | | | | | | | | | | | | | | |
| CH part name | 转向油罐 | | | | | | | | | | | | | | | | | | | | | | | | | | | | | | |
| EN part name | Steering oil tank | | | | | | | | | | | | | | | | | | | | | | | | | | | | | | |
| RU part name | Бачек гидроусилителя рулевого управления | | | | | | | | | | | | | | | | | | | | | | | | | | | | | | |
| Size:mm | | | | | | | | | | | | | | | | | | | | | | | | | | | | | | | |
| Weight:kg | 1.79 | | | | | | | | | | | | | | | | | | | | | | | | | | | | | | |
| NO. | NO.81-4 | | | | | | | | | | | | | | | | | | | | | | | | | | | | | | |
| Part No. | DZ95189470088 | | | | | | | | | | | | | | | | | | | | | | | | | | | | | | |
| CH part name | 转向油罐滤芯 | | | | | | | | | | | | | | | | | | | | | | | | | | | | | | |
| EN part name | Turn the oil tank filter | | | | | | | | | | | | | | | | | | | | | | | | | | | | | | |
| RU part name | Переключись на резервуар с маслом | | | | | | | | | | | | | | | | | | | | | | | | | | | | | | |
| Size:mm | 176 | | | | | | | | | | | | | | | | | | | | | | | | | | | | | | |
| Weight:kg | 0.41 | | | | | | | | | | | | | | | | | | | | | | | | | | | | | | |
| NO. | NO.81-4 | | | | | | | | | | | | | | | | | | | | | | | | | | | | | | |
| Remarks: SHACMAN 6*4 | | Remarks: SHACMAN 6*4 | | | | | | | | | | | | | | | | | | | | | | | | | | | | | |
| SINGLE SHAFTS STEERING/HYDRAULIC DEVIC NO.81 | | | | | | | | | | | | | | | | | | | | | | | | | | | | | | | |
|  | | | |  | <table border="1"> <tr><td>Part No.</td><td>DZ95319470085</td></tr> <tr><td>CH part name</td><td>转向油罐</td></tr> <tr><td>EN part name</td><td>Steering oil tank</td></tr> <tr><td>RU part name</td><td>Бачек гидроусилителя рулевого управления</td></tr> <tr><td>Size:mm</td><td></td></tr> <tr><td>Weight:kg</td><td>1.51</td></tr> <tr><td>NO.</td><td>NO.81-6</td></tr> </table> | Part No. | DZ95319470085 | CH part name | 转向油罐 | EN part name | Steering oil tank | RU part name | Бачек гидроусилителя рулевого управления | Size:mm | | Weight:kg | 1.51 | NO. | NO.81-6 | | | | | | | | | | | | |
| Part No. | DZ95319470085 | | | | | | | | | | | | | | | | | | | | | | | | | | | | | | |
| CH part name | 转向油罐 | | | | | | | | | | | | | | | | | | | | | | | | | | | | | | |
| EN part name | Steering oil tank | | | | | | | | | | | | | | | | | | | | | | | | | | | | | | |
| RU part name | Бачек гидроусилителя рулевого управления | | | | | | | | | | | | | | | | | | | | | | | | | | | | | | |
| Size:mm | | | | | | | | | | | | | | | | | | | | | | | | | | | | | | | |
| Weight:kg | 1.51 | | | | | | | | | | | | | | | | | | | | | | | | | | | | | | |
| NO. | NO.81-6 | | | | | | | | | | | | | | | | | | | | | | | | | | | | | | |
| Remarks: SHACMAN 8*4 | | | | | | | | | | | | | | | | | | | | | | | | | | | | | | | |
| KD1493 | | | | | | | | | | | | | | | | | | | | | | | | | | | | | | | |
|  | | | | <table border="1"> <tr><td>Part No.</td><td>DZ9100130037</td></tr> <tr><td>CH part name</td><td>转向油罐</td></tr> <tr><td>EN part name</td><td>Steering oil tank</td></tr> <tr><td>RU part name</td><td>Бачек гидроусилителя рулевого управления</td></tr> <tr><td>Size:mm</td><td></td></tr> <tr><td>Weight:kg</td><td>1.5</td></tr> <tr><td>NO.</td><td>NO.81-6</td></tr> </table> | Part No. | DZ9100130037 | CH part name | 转向油罐 | EN part name | Steering oil tank | RU part name | Бачек гидроусилителя рулевого управления | Size:mm | | Weight:kg | 1.5 | NO. | NO.81-6 | | | | | | | | | | | | | |
| Part No. | DZ9100130037 | | | | | | | | | | | | | | | | | | | | | | | | | | | | | | |
| CH part name | 转向油罐 | | | | | | | | | | | | | | | | | | | | | | | | | | | | | | |
| EN part name | Steering oil tank | | | | | | | | | | | | | | | | | | | | | | | | | | | | | | |
| RU part name | Бачек гидроусилителя рулевого управления | | | | | | | | | | | | | | | | | | | | | | | | | | | | | | |
| Size:mm | | | | | | | | | | | | | | | | | | | | | | | | | | | | | | | |
| Weight:kg | 1.5 | | | | | | | | | | | | | | | | | | | | | | | | | | | | | | |
| NO. | NO.81-6 | | | | | | | | | | | | | | | | | | | | | | | | | | | | | | |
| Remarks: SHACMAN 8*4 | | | | | | | | | | | | | | | | | | | | | | | | | | | | | | | |

SHACMAN(1)

| | | | | | | | | | | | | | | | | | | | | | | | | | | | | | | | |
|---|---|---|---------------|--------------|--------|--------------|--------------------------|--------------|--|---------|-------------|-----------|------|-----|----------------|---|---|----------|---------------|--------------|-------|--------------|-------------------|--------------|--|---------|-------------|-----------|------|-----|----------------|
|  | <table border="1"> <tr><td>Part No.</td><td>DZ95319470085</td></tr> <tr><td>CH part name</td><td>转向油罐滤芯</td></tr> <tr><td>EN part name</td><td>Turn the oil tank filter</td></tr> <tr><td>RU part name</td><td>Переключись на резервуар с маслом</td></tr> <tr><td>Size:mm</td><td>213.5</td></tr> <tr><td>Weight:kg</td><td>0.48</td></tr> <tr><td>NO.</td><td>NO.81-4</td></tr> </table> | Part No. | DZ95319470085 | CH part name | 转向油罐滤芯 | EN part name | Turn the oil tank filter | RU part name | Переключись на резервуар с маслом | Size:mm | 213.5 | Weight:kg | 0.48 | NO. | NO.81-4 |  | <table border="1"> <tr><td>Part No.</td><td>DZ91189470033</td></tr> <tr><td>CH part name</td><td>转向油罐</td></tr> <tr><td>EN part name</td><td>Steering oil tank</td></tr> <tr><td>RU part name</td><td>Бачек гидроусилителя рулевого управления</td></tr> <tr><td>Size:mm</td><td>220*140*140</td></tr> <tr><td>Weight:kg</td><td>1.79</td></tr> <tr><td>NO.</td><td>NO.81-4</td></tr> </table> | Part No. | DZ91189470033 | CH part name | 转向油罐 | EN part name | Steering oil tank | RU part name | Бачек гидроусилителя рулевого управления | Size:mm | 220*140*140 | Weight:kg | 1.79 | NO. | NO.81-4 |
| Part No. | DZ95319470085 | | | | | | | | | | | | | | | | | | | | | | | | | | | | | | |
| CH part name | 转向油罐滤芯 | | | | | | | | | | | | | | | | | | | | | | | | | | | | | | |
| EN part name | Turn the oil tank filter | | | | | | | | | | | | | | | | | | | | | | | | | | | | | | |
| RU part name | Переключись на резервуар с маслом | | | | | | | | | | | | | | | | | | | | | | | | | | | | | | |
| Size:mm | 213.5 | | | | | | | | | | | | | | | | | | | | | | | | | | | | | | |
| Weight:kg | 0.48 | | | | | | | | | | | | | | | | | | | | | | | | | | | | | | |
| NO. | NO.81-4 | | | | | | | | | | | | | | | | | | | | | | | | | | | | | | |
| Part No. | DZ91189470033 | | | | | | | | | | | | | | | | | | | | | | | | | | | | | | |
| CH part name | 转向油罐 | | | | | | | | | | | | | | | | | | | | | | | | | | | | | | |
| EN part name | Steering oil tank | | | | | | | | | | | | | | | | | | | | | | | | | | | | | | |
| RU part name | Бачек гидроусилителя рулевого управления | | | | | | | | | | | | | | | | | | | | | | | | | | | | | | |
| Size:mm | 220*140*140 | | | | | | | | | | | | | | | | | | | | | | | | | | | | | | |
| Weight:kg | 1.79 | | | | | | | | | | | | | | | | | | | | | | | | | | | | | | |
| NO. | NO.81-4 | | | | | | | | | | | | | | | | | | | | | | | | | | | | | | |
| Remarks: SHACMAN 8*4 | | Remarks: SHACMAN F3000 F2000 DZ9112470033 | | | | | | | | | | | | | | | | | | | | | | | | | | | | | |
|  | <table border="1"> <tr><td>Part No.</td><td>DZ91319470190</td></tr> <tr><td>CH part name</td><td>转向油罐</td></tr> <tr><td>EN part name</td><td>Steering oil tank</td></tr> <tr><td>RU part name</td><td>Бачек гидроусилителя рулевого управления</td></tr> <tr><td>Size:mm</td><td>220*140*140</td></tr> <tr><td>Weight:kg</td><td>1.79</td></tr> <tr><td>NO.</td><td>NO.81-4</td></tr> </table> | Part No. | DZ91319470190 | CH part name | 转向油罐 | EN part name | Steering oil tank | RU part name | Бачек гидроусилителя рулевого управления | Size:mm | 220*140*140 | Weight:kg | 1.79 | NO. | NO.81-4 |  | <table border="1"> <tr><td>Part No.</td><td>DZ95189470063</td></tr> <tr><td>CH part name</td><td>转向油罐</td></tr> <tr><td>EN part name</td><td>Steering oil tank</td></tr> <tr><td>RU part name</td><td>Бачек гидроусилителя рулевого управления</td></tr> <tr><td>Size:mm</td><td>300*140*140</td></tr> <tr><td>Weight:kg</td><td>1.95</td></tr> <tr><td>NO.</td><td>NO.81-4</td></tr> </table> | Part No. | DZ95189470063 | CH part name | 转向油罐 | EN part name | Steering oil tank | RU part name | Бачек гидроусилителя рулевого управления | Size:mm | 300*140*140 | Weight:kg | 1.95 | NO. | NO.81-4 |
| Part No. | DZ91319470190 | | | | | | | | | | | | | | | | | | | | | | | | | | | | | | |
| CH part name | 转向油罐 | | | | | | | | | | | | | | | | | | | | | | | | | | | | | | |
| EN part name | Steering oil tank | | | | | | | | | | | | | | | | | | | | | | | | | | | | | | |
| RU part name | Бачек гидроусилителя рулевого управления | | | | | | | | | | | | | | | | | | | | | | | | | | | | | | |
| Size:mm | 220*140*140 | | | | | | | | | | | | | | | | | | | | | | | | | | | | | | |
| Weight:kg | 1.79 | | | | | | | | | | | | | | | | | | | | | | | | | | | | | | |
| NO. | NO.81-4 | | | | | | | | | | | | | | | | | | | | | | | | | | | | | | |
| Part No. | DZ95189470063 | | | | | | | | | | | | | | | | | | | | | | | | | | | | | | |
| CH part name | 转向油罐 | | | | | | | | | | | | | | | | | | | | | | | | | | | | | | |
| EN part name | Steering oil tank | | | | | | | | | | | | | | | | | | | | | | | | | | | | | | |
| RU part name | Бачек гидроусилителя рулевого управления | | | | | | | | | | | | | | | | | | | | | | | | | | | | | | |
| Size:mm | 300*140*140 | | | | | | | | | | | | | | | | | | | | | | | | | | | | | | |
| Weight:kg | 1.95 | | | | | | | | | | | | | | | | | | | | | | | | | | | | | | |
| NO. | NO.81-4 | | | | | | | | | | | | | | | | | | | | | | | | | | | | | | |
| Remarks: SHACMAN F3000 F2000 X3000 新M3000 DZ9118470190 6*4 | | Remarks: SHACMAN 新M3000 DZ95319470063 8*4 | | | | | | | | | | | | | | | | | | | | | | | | | | | | | |
|  | <table border="1"> <tr><td>Part No.</td><td>P1480A0470748</td></tr> <tr><td>CH part name</td><td>转向油罐滤芯</td></tr> <tr><td>EN part name</td><td>Turn the oil tank filter</td></tr> <tr><td>RU part name</td><td>Переключись на резервуар с маслом</td></tr> <tr><td>Size:mm</td><td>80*100</td></tr> <tr><td>Weight:kg</td><td></td></tr> <tr><td>NO.</td><td>NO.81-4</td></tr> </table> | Part No. | P1480A0470748 | CH part name | 转向油罐滤芯 | EN part name | Turn the oil tank filter | RU part name | Переключись на резервуар с маслом | Size:mm | 80*100 | Weight:kg | | NO. | NO.81-4 |  | <table border="1"> <tr><td>Part No.</td><td>DZ9100130045</td></tr> <tr><td>CH part name</td><td>转向助力泵</td></tr> <tr><td>EN part name</td><td>Hydraulic pump</td></tr> <tr><td>RU part name</td><td>Насос гидравлический</td></tr> <tr><td>Size:mm</td><td>160*160*150</td></tr> <tr><td>Weight:kg</td><td>5.3</td></tr> <tr><td>NO.</td><td>NO.81-6</td></tr> </table> | Part No. | DZ9100130045 | CH part name | 转向助力泵 | EN part name | Hydraulic pump | RU part name | Насос гидравлический | Size:mm | 160*160*150 | Weight:kg | 5.3 | NO. | NO.81-6 |
| Part No. | P1480A0470748 | | | | | | | | | | | | | | | | | | | | | | | | | | | | | | |
| CH part name | 转向油罐滤芯 | | | | | | | | | | | | | | | | | | | | | | | | | | | | | | |
| EN part name | Turn the oil tank filter | | | | | | | | | | | | | | | | | | | | | | | | | | | | | | |
| RU part name | Переключись на резервуар с маслом | | | | | | | | | | | | | | | | | | | | | | | | | | | | | | |
| Size:mm | 80*100 | | | | | | | | | | | | | | | | | | | | | | | | | | | | | | |
| Weight:kg | | | | | | | | | | | | | | | | | | | | | | | | | | | | | | | |
| NO. | NO.81-4 | | | | | | | | | | | | | | | | | | | | | | | | | | | | | | |
| Part No. | DZ9100130045 | | | | | | | | | | | | | | | | | | | | | | | | | | | | | | |
| CH part name | 转向助力泵 | | | | | | | | | | | | | | | | | | | | | | | | | | | | | | |
| EN part name | Hydraulic pump | | | | | | | | | | | | | | | | | | | | | | | | | | | | | | |
| RU part name | Насос гидравлический | | | | | | | | | | | | | | | | | | | | | | | | | | | | | | |
| Size:mm | 160*160*150 | | | | | | | | | | | | | | | | | | | | | | | | | | | | | | |
| Weight:kg | 5.3 | | | | | | | | | | | | | | | | | | | | | | | | | | | | | | |
| NO. | NO.81-6 | | | | | | | | | | | | | | | | | | | | | | | | | | | | | | |
| Remarks: SHACMAN DZ97259470025 8*4 | | Remarks: SHACMAN F3000 F2000 X3000 M3000 DZ9100130030/0029 WP10-17齿 | | | | | | | | | | | | | | | | | | | | | | | | | | | | | |
|  | <table border="1"> <tr><td>Part No.</td><td>DZ97259470016</td></tr> <tr><td>CH part name</td><td>转向油罐滤芯</td></tr> <tr><td>EN part name</td><td>Turn the oil tank filter</td></tr> <tr><td>RU part name</td><td>Переключись на резервуар с маслом</td></tr> <tr><td>Size:mm</td><td>80*80</td></tr> <tr><td>Weight:kg</td><td>0.2</td></tr> <tr><td>NO.</td><td>NO.81-4</td></tr> </table> | Part No. | DZ97259470016 | CH part name | 转向油罐滤芯 | EN part name | Turn the oil tank filter | RU part name | Переключись на резервуар с маслом | Size:mm | 80*80 | Weight:kg | 0.2 | NO. | NO.81-4 |  | <table border="1"> <tr><td>Part No.</td><td>DZ9100130037</td></tr> <tr><td>CH part name</td><td>转向助力泵</td></tr> <tr><td>EN part name</td><td>Hydraulic pump</td></tr> <tr><td>RU part name</td><td>Насос гидравлический</td></tr> <tr><td>Size:mm</td><td>160*160*150</td></tr> <tr><td>Weight:kg</td><td>6.5</td></tr> <tr><td>NO.</td><td>NO.81-6</td></tr> </table> | Part No. | DZ9100130037 | CH part name | 转向助力泵 | EN part name | Hydraulic pump | RU part name | Насос гидравлический | Size:mm | 160*160*150 | Weight:kg | 6.5 | NO. | NO.81-6 |
| Part No. | DZ97259470016 | | | | | | | | | | | | | | | | | | | | | | | | | | | | | | |
| CH part name | 转向油罐滤芯 | | | | | | | | | | | | | | | | | | | | | | | | | | | | | | |
| EN part name | Turn the oil tank filter | | | | | | | | | | | | | | | | | | | | | | | | | | | | | | |
| RU part name | Переключись на резервуар с маслом | | | | | | | | | | | | | | | | | | | | | | | | | | | | | | |
| Size:mm | 80*80 | | | | | | | | | | | | | | | | | | | | | | | | | | | | | | |
| Weight:kg | 0.2 | | | | | | | | | | | | | | | | | | | | | | | | | | | | | | |
| NO. | NO.81-4 | | | | | | | | | | | | | | | | | | | | | | | | | | | | | | |
| Part No. | DZ9100130037 | | | | | | | | | | | | | | | | | | | | | | | | | | | | | | |
| CH part name | 转向助力泵 | | | | | | | | | | | | | | | | | | | | | | | | | | | | | | |
| EN part name | Hydraulic pump | | | | | | | | | | | | | | | | | | | | | | | | | | | | | | |
| RU part name | Насос гидравлический | | | | | | | | | | | | | | | | | | | | | | | | | | | | | | |
| Size:mm | 160*160*150 | | | | | | | | | | | | | | | | | | | | | | | | | | | | | | |
| Weight:kg | 6.5 | | | | | | | | | | | | | | | | | | | | | | | | | | | | | | |
| NO. | NO.81-6 | | | | | | | | | | | | | | | | | | | | | | | | | | | | | | |
| Remarks: SHACMAN WD615 6*4 | | Remarks: SHACMAN F3000 F2000 X3000 M3000 WD615 | | | | | | | | | | | | | | | | | | | | | | | | | | | | | |

SHACMAN(1)

| | | | | | | | | | | | | | | | | | | | | | | | | | | | | | | | |
|---|--|---|-----------------|--------------|-------|--------------|----------------|--------------|----------------------|---------|-------------|-----------|------|-----|-----------------|---|--|----------|---------------|--------------|-----------|--------------|-------------------------|--------------|-------------------------|---------|-------------|-----------|------|-----|----------------|
|  | <table border="1"> <tr><td>Part No.</td><td>DZ9100130027/28</td></tr> <tr><td>CH part name</td><td>转向助力泵</td></tr> <tr><td>EN part name</td><td>Hydraulic pump</td></tr> <tr><td>RU part name</td><td>Насос гидравлический</td></tr> <tr><td>Size:mm</td><td>160*160*150</td></tr> <tr><td>Weight:kg</td><td>5.3</td></tr> <tr><td>NO.</td><td>NO.81-6</td></tr> </table> | Part No. | DZ9100130027/28 | CH part name | 转向助力泵 | EN part name | Hydraulic pump | RU part name | Насос гидравлический | Size:mm | 160*160*150 | Weight:kg | 5.3 | NO. | NO.81-6 |  | <table border="1"> <tr><td>Part No.</td><td>DZ9100130044</td></tr> <tr><td>CH part name</td><td>转向助力泵</td></tr> <tr><td>EN part name</td><td>Hydraulic pump</td></tr> <tr><td>RU part name</td><td>Насос гидравлический</td></tr> <tr><td>Size:mm</td><td>160*160*150</td></tr> <tr><td>Weight:kg</td><td>5.8</td></tr> <tr><td>NO.</td><td>NO.81-6</td></tr> </table> | Part No. | DZ9100130044 | CH part name | 转向助力泵 | EN part name | Hydraulic pump | RU part name | Насос гидравлический | Size:mm | 160*160*150 | Weight:kg | 5.8 | NO. | NO.81-6 |
| Part No. | DZ9100130027/28 | | | | | | | | | | | | | | | | | | | | | | | | | | | | | | |
| CH part name | 转向助力泵 | | | | | | | | | | | | | | | | | | | | | | | | | | | | | | |
| EN part name | Hydraulic pump | | | | | | | | | | | | | | | | | | | | | | | | | | | | | | |
| RU part name | Насос гидравлический | | | | | | | | | | | | | | | | | | | | | | | | | | | | | | |
| Size:mm | 160*160*150 | | | | | | | | | | | | | | | | | | | | | | | | | | | | | | |
| Weight:kg | 5.3 | | | | | | | | | | | | | | | | | | | | | | | | | | | | | | |
| NO. | NO.81-6 | | | | | | | | | | | | | | | | | | | | | | | | | | | | | | |
| Part No. | DZ9100130044 | | | | | | | | | | | | | | | | | | | | | | | | | | | | | | |
| CH part name | 转向助力泵 | | | | | | | | | | | | | | | | | | | | | | | | | | | | | | |
| EN part name | Hydraulic pump | | | | | | | | | | | | | | | | | | | | | | | | | | | | | | |
| RU part name | Насос гидравлический | | | | | | | | | | | | | | | | | | | | | | | | | | | | | | |
| Size:mm | 160*160*150 | | | | | | | | | | | | | | | | | | | | | | | | | | | | | | |
| Weight:kg | 5.8 | | | | | | | | | | | | | | | | | | | | | | | | | | | | | | |
| NO. | NO.81-6 | | | | | | | | | | | | | | | | | | | | | | | | | | | | | | |
| Remarks: SHACMAN F3000 F2000 X3000 M3000 DZ9100130011 WP12NG380-19齿 | | Remarks: SHACMAN F3000 F2000 X3000 M3000 11齿ISM | | | | | | | | | | | | | | | | | | | | | | | | | | | | | |
|  | <table border="1"> <tr><td>Part No.</td><td>DZ9100130004</td></tr> <tr><td>CH part name</td><td>转向助力泵</td></tr> <tr><td>EN part name</td><td>Hydraulic pump</td></tr> <tr><td>RU part name</td><td>Насос гидравлический</td></tr> <tr><td>Size:mm</td><td>160*160*150</td></tr> <tr><td>Weight:kg</td><td>6.27</td></tr> <tr><td>NO.</td><td>NO.81-6</td></tr> </table> | Part No. | DZ9100130004 | CH part name | 转向助力泵 | EN part name | Hydraulic pump | RU part name | Насос гидравлический | Size:mm | 160*160*150 | Weight:kg | 6.27 | NO. | NO.81-6 |  | <table border="1"> <tr><td>Part No.</td><td>DZ95259130001</td></tr> <tr><td>CH part name</td><td>转向助力泵WP12</td></tr> <tr><td>EN part name</td><td>Hydraulic pump</td></tr> <tr><td>RU part name</td><td>Насос гидравлический</td></tr> <tr><td>Size:mm</td><td>160*160*150</td></tr> <tr><td>Weight:kg</td><td>6.9</td></tr> <tr><td>NO.</td><td>NO.81-6</td></tr> </table> | Part No. | DZ95259130001 | CH part name | 转向助力泵WP12 | EN part name | Hydraulic pump | RU part name | Насос гидравлический | Size:mm | 160*160*150 | Weight:kg | 6.9 | NO. | NO.81-6 |
| Part No. | DZ9100130004 | | | | | | | | | | | | | | | | | | | | | | | | | | | | | | |
| CH part name | 转向助力泵 | | | | | | | | | | | | | | | | | | | | | | | | | | | | | | |
| EN part name | Hydraulic pump | | | | | | | | | | | | | | | | | | | | | | | | | | | | | | |
| RU part name | Насос гидравлический | | | | | | | | | | | | | | | | | | | | | | | | | | | | | | |
| Size:mm | 160*160*150 | | | | | | | | | | | | | | | | | | | | | | | | | | | | | | |
| Weight:kg | 6.27 | | | | | | | | | | | | | | | | | | | | | | | | | | | | | | |
| NO. | NO.81-6 | | | | | | | | | | | | | | | | | | | | | | | | | | | | | | |
| Part No. | DZ95259130001 | | | | | | | | | | | | | | | | | | | | | | | | | | | | | | |
| CH part name | 转向助力泵WP12 | | | | | | | | | | | | | | | | | | | | | | | | | | | | | | |
| EN part name | Hydraulic pump | | | | | | | | | | | | | | | | | | | | | | | | | | | | | | |
| RU part name | Насос гидравлический | | | | | | | | | | | | | | | | | | | | | | | | | | | | | | |
| Size:mm | 160*160*150 | | | | | | | | | | | | | | | | | | | | | | | | | | | | | | |
| Weight:kg | 6.9 | | | | | | | | | | | | | | | | | | | | | | | | | | | | | | |
| NO. | NO.81-6 | | | | | | | | | | | | | | | | | | | | | | | | | | | | | | |
| Remarks: SHACMAN WD615 F3000 F2000 X3000 M3000 | | Remarks: SHACMAN F3000 F2000 X3000 M3000 | | | | | | | | | | | | | | | | | | | | | | | | | | | | | |
|  | <table border="1"> <tr><td>Part No.</td><td>DZ9100470017</td></tr> <tr><td>CH part name</td><td>成型软管</td></tr> <tr><td>EN part name</td><td>Hose</td></tr> <tr><td>RU part name</td><td>Патрубок</td></tr> <tr><td>Size:mm</td><td>500*150*40</td></tr> <tr><td>Weight:kg</td><td>0.42</td></tr> <tr><td>NO.</td><td>NO.81-10</td></tr> </table> | Part No. | DZ9100470017 | CH part name | 成型软管 | EN part name | Hose | RU part name | Патрубок | Size:mm | 500*150*40 | Weight:kg | 0.42 | NO. | NO.81-10 |  | <table border="1"> <tr><td>Part No.</td><td>DZ9100470108</td></tr> <tr><td>CH part name</td><td>高压软管WP10</td></tr> <tr><td>EN part name</td><td>High pressure hose</td></tr> <tr><td>RU part name</td><td>шланг высокого давления</td></tr> <tr><td>Size:mm</td><td>44</td></tr> <tr><td>Weight:kg</td><td>0.65</td></tr> <tr><td>NO.</td><td>NO.81-5</td></tr> </table> | Part No. | DZ9100470108 | CH part name | 高压软管WP10 | EN part name | High pressure hose | RU part name | шланг высокого давления | Size:mm | 44 | Weight:kg | 0.65 | NO. | NO.81-5 |
| Part No. | DZ9100470017 | | | | | | | | | | | | | | | | | | | | | | | | | | | | | | |
| CH part name | 成型软管 | | | | | | | | | | | | | | | | | | | | | | | | | | | | | | |
| EN part name | Hose | | | | | | | | | | | | | | | | | | | | | | | | | | | | | | |
| RU part name | Патрубок | | | | | | | | | | | | | | | | | | | | | | | | | | | | | | |
| Size:mm | 500*150*40 | | | | | | | | | | | | | | | | | | | | | | | | | | | | | | |
| Weight:kg | 0.42 | | | | | | | | | | | | | | | | | | | | | | | | | | | | | | |
| NO. | NO.81-10 | | | | | | | | | | | | | | | | | | | | | | | | | | | | | | |
| Part No. | DZ9100470108 | | | | | | | | | | | | | | | | | | | | | | | | | | | | | | |
| CH part name | 高压软管WP10 | | | | | | | | | | | | | | | | | | | | | | | | | | | | | | |
| EN part name | High pressure hose | | | | | | | | | | | | | | | | | | | | | | | | | | | | | | |
| RU part name | шланг высокого давления | | | | | | | | | | | | | | | | | | | | | | | | | | | | | | |
| Size:mm | 44 | | | | | | | | | | | | | | | | | | | | | | | | | | | | | | |
| Weight:kg | 0.65 | | | | | | | | | | | | | | | | | | | | | | | | | | | | | | |
| NO. | NO.81-5 | | | | | | | | | | | | | | | | | | | | | | | | | | | | | | |
| Remarks: SHACMAN F3000 F2000 X3000 M3000 169100470020 | | Remarks: SHACMAN F3000 F2000 DZ9100470107 WP12 DZ9100470106 CUMMINS | | | | | | | | | | | | | | | | | | | | | | | | | | | | | |
|  | <table border="1"> <tr><td>Part No.</td><td>DZ9114516440</td></tr> <tr><td>CH part name</td><td>车架总成</td></tr> <tr><td>EN part name</td><td>Fram assey</td></tr> <tr><td>RU part name</td><td>рама Ассамблеи</td></tr> <tr><td>Size:mm</td><td></td></tr> <tr><td>Weight:kg</td><td></td></tr> <tr><td>NO.</td><td>NO.82</td></tr> </table> | Part No. | DZ9114516440 | CH part name | 车架总成 | EN part name | Fram assey | RU part name | рама Ассамблеи | Size:mm | | Weight:kg | | NO. | NO.82 |  | <table border="1"> <tr><td>Part No.</td><td>DZ9114510880</td></tr> <tr><td>CH part name</td><td>前横梁</td></tr> <tr><td>EN part name</td><td>Front cross member assy</td></tr> <tr><td>RU part name</td><td>передняя траверса</td></tr> <tr><td>Size:mm</td><td></td></tr> <tr><td>Weight:kg</td><td>17.3</td></tr> <tr><td>NO.</td><td>NO.82-1</td></tr> </table> | Part No. | DZ9114510880 | CH part name | 前横梁 | EN part name | Front cross member assy | RU part name | передняя траверса | Size:mm | | Weight:kg | 17.3 | NO. | NO.82-1 |
| Part No. | DZ9114516440 | | | | | | | | | | | | | | | | | | | | | | | | | | | | | | |
| CH part name | 车架总成 | | | | | | | | | | | | | | | | | | | | | | | | | | | | | | |
| EN part name | Fram assey | | | | | | | | | | | | | | | | | | | | | | | | | | | | | | |
| RU part name | рама Ассамблеи | | | | | | | | | | | | | | | | | | | | | | | | | | | | | | |
| Size:mm | | | | | | | | | | | | | | | | | | | | | | | | | | | | | | | |
| Weight:kg | | | | | | | | | | | | | | | | | | | | | | | | | | | | | | | |
| NO. | NO.82 | | | | | | | | | | | | | | | | | | | | | | | | | | | | | | |
| Part No. | DZ9114510880 | | | | | | | | | | | | | | | | | | | | | | | | | | | | | | |
| CH part name | 前横梁 | | | | | | | | | | | | | | | | | | | | | | | | | | | | | | |
| EN part name | Front cross member assy | | | | | | | | | | | | | | | | | | | | | | | | | | | | | | |
| RU part name | передняя траверса | | | | | | | | | | | | | | | | | | | | | | | | | | | | | | |
| Size:mm | | | | | | | | | | | | | | | | | | | | | | | | | | | | | | | |
| Weight:kg | 17.3 | | | | | | | | | | | | | | | | | | | | | | | | | | | | | | |
| NO. | NO.82-1 | | | | | | | | | | | | | | | | | | | | | | | | | | | | | | |
| Remarks: SHACMAN F3000 F2000 DZ95319513210 | | Remarks: SHACMAN F3000 F2000 8*4 | | | | | | | | | | | | | | | | | | | | | | | | | | | | | |

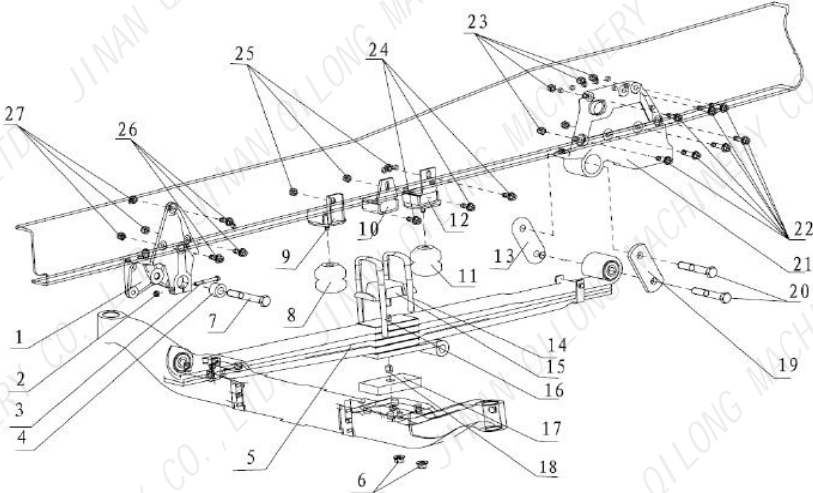
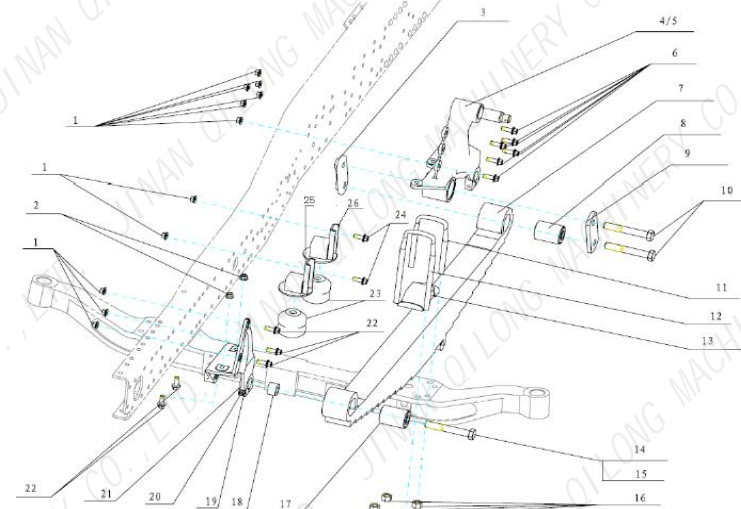




SHACMAN(1)

| Fram assey | | NO.82 | | | | | | | | | | | | | | | | | | | | | | | | | | | | | |
|--|---|---|---|--------------|---------------|--------------|---------------------------|--------------|-------------------------------|--------------|-------------------|-----------|-------------|-----------|-----------------|-----|---|----------|---------------|--------------|-------------|--------------|-----------------------------|--------------|----------------------------------|---------|-------------|-----------|------|-----|----------------|
| | | KD1510 | | | | | | | | | | | | | | | | | | | | | | | | | | | | | |
| | | | <table border="1"> <tr><td>Part No.</td><td>DZ9114510520</td></tr> <tr><td>CH part name</td><td>前横梁</td></tr> <tr><td>EN part name</td><td>Front cross member assy</td></tr> <tr><td>RU part name</td><td>передняя траверса</td></tr> <tr><td>Size:mm</td><td>850*150*200</td></tr> <tr><td>Weight:kg</td><td>17.5</td></tr> <tr><td>NO.</td><td>NO.82-1</td></tr> </table> | Part No. | DZ9114510520 | CH part name | 前横梁 | EN part name | Front cross member assy | RU part name | передняя траверса | Size:mm | 850*150*200 | Weight:kg | 17.5 | NO. | NO.82-1 | | | | | | | | | | | | | | |
| Part No. | DZ9114510520 | | | | | | | | | | | | | | | | | | | | | | | | | | | | | | |
| CH part name | 前横梁 | | | | | | | | | | | | | | | | | | | | | | | | | | | | | | |
| EN part name | Front cross member assy | | | | | | | | | | | | | | | | | | | | | | | | | | | | | | |
| RU part name | передняя траверса | | | | | | | | | | | | | | | | | | | | | | | | | | | | | | |
| Size:mm | 850*150*200 | | | | | | | | | | | | | | | | | | | | | | | | | | | | | | |
| Weight:kg | 17.5 | | | | | | | | | | | | | | | | | | | | | | | | | | | | | | |
| NO. | NO.82-1 | | | | | | | | | | | | | | | | | | | | | | | | | | | | | | |
| Remarks: SHACMAN F2000 | | | | | | | | | | | | | | | | | | | | | | | | | | | | | | | |
| | | KD1511 | | | | | | | | | | | | | | | | | | | | | | | | | | | | | |
| | | | <table border="1"> <tr><td>Part No.</td><td>DZ93189510202</td></tr> <tr><td>CH part name</td><td>前横梁</td></tr> <tr><td>EN part name</td><td>Front cross member assy</td></tr> <tr><td>RU part name</td><td>передняя траверса</td></tr> <tr><td>Size:mm</td><td>850*150*200</td></tr> <tr><td>Weight:kg</td><td>14.5</td></tr> <tr><td>NO.</td><td>NO.82-1</td></tr> </table> | Part No. | DZ93189510202 | CH part name | 前横梁 | EN part name | Front cross member assy | RU part name | передняя траверса | Size:mm | 850*150*200 | Weight:kg | 14.5 | NO. | NO.82-1 | | | | | | | | | | | | | | |
| Part No. | DZ93189510202 | | | | | | | | | | | | | | | | | | | | | | | | | | | | | | |
| CH part name | 前横梁 | | | | | | | | | | | | | | | | | | | | | | | | | | | | | | |
| EN part name | Front cross member assy | | | | | | | | | | | | | | | | | | | | | | | | | | | | | | |
| RU part name | передняя траверса | | | | | | | | | | | | | | | | | | | | | | | | | | | | | | |
| Size:mm | 850*150*200 | | | | | | | | | | | | | | | | | | | | | | | | | | | | | | |
| Weight:kg | 14.5 | | | | | | | | | | | | | | | | | | | | | | | | | | | | | | |
| NO. | NO.82-1 | | | | | | | | | | | | | | | | | | | | | | | | | | | | | | |
| Remarks: SHACMAN F3000 F2000 8*4 6*4 | | | | | | | | | | | | | | | | | | | | | | | | | | | | | | | |
| KD1512 | | KD1513 | | | | | | | | | | | | | | | | | | | | | | | | | | | | | |
| | <table border="1"> <tr><td>Part No.</td><td>DZ95319931160</td></tr> <tr><td>CH part name</td><td>保险杠前托架总成(R)</td></tr> <tr><td>EN part name</td><td>Synthetic bumper bracket®</td></tr> <tr><td>RU part name</td><td>синтетические бампер скобки ®</td></tr> <tr><td>Size:mm</td><td></td></tr> <tr><td>Weight:kg</td><td>15.6</td></tr> <tr><td>NO.</td><td>NO.82-2</td></tr> </table> | Part No. | DZ95319931160 | CH part name | 保险杠前托架总成(R) | EN part name | Synthetic bumper bracket® | RU part name | синтетические бампер скобки ® | Size:mm | | Weight:kg | 15.6 | NO. | NO.82-2 | | <table border="1"> <tr><td>Part No.</td><td>DZ95319931150</td></tr> <tr><td>CH part name</td><td>保险杠前托架总成(L)</td></tr> <tr><td>EN part name</td><td>Synthetic bumper bracket(L)</td></tr> <tr><td>RU part name</td><td>синтетические бампер скобки (L)</td></tr> <tr><td>Size:mm</td><td></td></tr> <tr><td>Weight:kg</td><td>15.6</td></tr> <tr><td>NO.</td><td>NO.82-3</td></tr> </table> | Part No. | DZ95319931150 | CH part name | 保险杠前托架总成(L) | EN part name | Synthetic bumper bracket(L) | RU part name | синтетические бампер скобки (L) | Size:mm | | Weight:kg | 15.6 | NO. | NO.82-3 |
| Part No. | DZ95319931160 | | | | | | | | | | | | | | | | | | | | | | | | | | | | | | |
| CH part name | 保险杠前托架总成(R) | | | | | | | | | | | | | | | | | | | | | | | | | | | | | | |
| EN part name | Synthetic bumper bracket® | | | | | | | | | | | | | | | | | | | | | | | | | | | | | | |
| RU part name | синтетические бампер скобки ® | | | | | | | | | | | | | | | | | | | | | | | | | | | | | | |
| Size:mm | | | | | | | | | | | | | | | | | | | | | | | | | | | | | | | |
| Weight:kg | 15.6 | | | | | | | | | | | | | | | | | | | | | | | | | | | | | | |
| NO. | NO.82-2 | | | | | | | | | | | | | | | | | | | | | | | | | | | | | | |
| Part No. | DZ95319931150 | | | | | | | | | | | | | | | | | | | | | | | | | | | | | | |
| CH part name | 保险杠前托架总成(L) | | | | | | | | | | | | | | | | | | | | | | | | | | | | | | |
| EN part name | Synthetic bumper bracket(L) | | | | | | | | | | | | | | | | | | | | | | | | | | | | | | |
| RU part name | синтетические бампер скобки (L) | | | | | | | | | | | | | | | | | | | | | | | | | | | | | | |
| Size:mm | | | | | | | | | | | | | | | | | | | | | | | | | | | | | | | |
| Weight:kg | 15.6 | | | | | | | | | | | | | | | | | | | | | | | | | | | | | | |
| NO. | NO.82-3 | | | | | | | | | | | | | | | | | | | | | | | | | | | | | | |
| Remarks: SHACMAN F3000 8*4 6*4 | | Remarks: SHACMAN F3000 8*4 6*4 | | | | | | | | | | | | | | | | | | | | | | | | | | | | | |
| KD1514 | | KD1515 | | | | | | | | | | | | | | | | | | | | | | | | | | | | | |
| | <table border="1"> <tr><td>Part No.</td><td>DZ9100930111</td></tr> <tr><td>CH part name</td><td>牵引座总成</td></tr> <tr><td>EN part name</td><td>Towing hook</td></tr> <tr><td>RU part name</td><td>буксировку.</td></tr> <tr><td>Size:mm</td><td></td></tr> <tr><td>Weight:kg</td><td>6.1</td></tr> <tr><td>NO.</td><td>NO.82-15</td></tr> </table> | Part No. | DZ9100930111 | CH part name | 牵引座总成 | EN part name | Towing hook | RU part name | буксировку. | Size:mm | | Weight:kg | 6.1 | NO. | NO.82-15 | | <table border="1"> <tr><td>Part No.</td><td>DZ9100520010</td></tr> <tr><td>CH part name</td><td>前簧左前支架</td></tr> <tr><td>EN part name</td><td>Front spring front bracket</td></tr> <tr><td>RU part name</td><td>Кроштейн передней рессоры</td></tr> <tr><td>Size:mm</td><td>340*250*165</td></tr> <tr><td>Weight:kg</td><td>8.5</td></tr> <tr><td>NO.</td><td>NO.83-1</td></tr> </table> | Part No. | DZ9100520010 | CH part name | 前簧左前支架 | EN part name | Front spring front bracket | RU part name | Кроштейн передней рессоры | Size:mm | 340*250*165 | Weight:kg | 8.5 | NO. | NO.83-1 |
| Part No. | DZ9100930111 | | | | | | | | | | | | | | | | | | | | | | | | | | | | | | |
| CH part name | 牵引座总成 | | | | | | | | | | | | | | | | | | | | | | | | | | | | | | |
| EN part name | Towing hook | | | | | | | | | | | | | | | | | | | | | | | | | | | | | | |
| RU part name | буксировку. | | | | | | | | | | | | | | | | | | | | | | | | | | | | | | |
| Size:mm | | | | | | | | | | | | | | | | | | | | | | | | | | | | | | | |
| Weight:kg | 6.1 | | | | | | | | | | | | | | | | | | | | | | | | | | | | | | |
| NO. | NO.82-15 | | | | | | | | | | | | | | | | | | | | | | | | | | | | | | |
| Part No. | DZ9100520010 | | | | | | | | | | | | | | | | | | | | | | | | | | | | | | |
| CH part name | 前簧左前支架 | | | | | | | | | | | | | | | | | | | | | | | | | | | | | | |
| EN part name | Front spring front bracket | | | | | | | | | | | | | | | | | | | | | | | | | | | | | | |
| RU part name | Кроштейн передней рессоры | | | | | | | | | | | | | | | | | | | | | | | | | | | | | | |
| Size:mm | 340*250*165 | | | | | | | | | | | | | | | | | | | | | | | | | | | | | | |
| Weight:kg | 8.5 | | | | | | | | | | | | | | | | | | | | | | | | | | | | | | |
| NO. | NO.83-1 | | | | | | | | | | | | | | | | | | | | | | | | | | | | | | |
| Remarks: SHACMAN F3000 F2000 X3000 M3000 8*4 6*4 4*2 DZ93259930100 | | Remarks: SHACMAN F3000 F2000 X3000 M3000 199100520010 DZ95259521510 | | | | | | | | | | | | | | | | | | | | | | | | | | | | | |

SHACMAN(1)

| | | | |
|---|---|---|---|
| KD1516 | | KD1517 | |
|  | Part No. DZ95259521411 |  | Part No. 81.41301.6091 |
| | CH part name 前簧左前支架 | | CH part name 前簧左前支架 |
| | EN part name Front spring front bracket | | EN part name Front spring front bracket |
| | RU part name Кронштейн передней рессоры | | RU part name Кронштейн передней рессоры |
| | Size:mm 340*250*165 | | Size:mm |
| | Weight:kg 8.5 | | Weight:kg 5.5 |
| | NO. NO.83-1 | | NO. NO.83-1 |
| Remarks: SHACMAN F3000 F2000 4*2 6*4 8*4 SZ970000736 DZ9118521011 | | Remarks: SHACMAN F3000 F2000 8*4 81.41301.6095 | |
| KD1518 | | KD1519 | |
|  | Part No. DZ9114526270 |  | Part No. DZ9114526273 |
| | CH part name 前簧左后支架总成 | | CH part name 前簧右支架总成 |
| | EN part name Rear Bracket Assembly (Left) | | EN part name Bracket Assembly (Right) |
| | RU part name Кронштейн передней рессоры правый задний | | RU part name Кронштейн передней рессоры правый задний |
| | Size:mm 270*150*290 | | Size:mm 270*150*290 |
| | Weight:kg 15.3 | | Weight:kg 15.3 |
| | NO. NO.83-21 | | NO. NO.83-21 |
| Remarks: SHACMAN F3000 F2000 4*2 6*4 | | Remarks: SHACMAN F3000 F2000 4*2 6*4 | |
| KD1520 | | KD1521 | |
|  | Part No. DZ9118526022 |  | Part No. DZ9118526021 |
| | CH part name 前板簧中间支架总成(左件) | | CH part name 前板簧中间支架总成(右件) |
| | EN part name Middle bracket (L) | | EN part name Middle bracket (R) |
| | RU part name промежуточный кронштейн | | RU part name промежуточный кронштейн |
| | Size:mm | | Size:mm |
| | Weight:kg 8.1 | | Weight:kg 14 |
| | NO. NO.A83-42 | | NO. NO.A83-43 |
| Remarks: SHACMAN F3000 F2000 8*4 | | Remarks: SHACMAN F3000 F2000 8*4 | |
| KD1522 | | KD1523 | |
|  | Part No. DZ9118520010 |  | Part No. DZ9118521020 |
| | CH part name 前簧左前支架总成 | | CH part name 前簧左前支架总成 |
| | EN part name Front spring front bracket | | EN part name Front spring front bracket |
| | RU part name Кронштейн передней рессоры | | RU part name Кронштейн передней рессоры |
| | Size:mm | | Size:mm |
| | Weight:kg 7.5 | | Weight:kg 7.5 |
| | NO. NO.A83-42 | | NO. NO.A83-42 |
| Remarks: SHACMAN F3000 F2000 8*4 199118520011 | | Remarks: SHACMAN F3000 F2000 8*4 199118520010 | |

SHACMAN(1)

| FRONT SUSPENSION/ 4*2 6*4 MAN | | NO.83 | FRONT SUSPENSION AXLE I/8*4 MAN | | NO.A83 |
|--|--------------|-------------------|---|--------------|-------------------|
|  | | |  | | |
| KD1524 | | | KD1525 | | |
|  | Part No. | DZ9118521014 |  | Part No. | 81.41304.0053 |
| | CH part name | 前簧右前支架 | | CH part name | 前簧前支架轴套 |
| | EN part name | Bracket | | EN part name | bush |
| | RU part name | кронштейн | | RU part name | Буш |
| | Size:mm | 340*250*165 | | Size:mm | |
| | Weight:kg | 8.1 | | Weight:kg | 0.1 |
| | NO. | NO.83-1 | | NO. | NO.83-4 |
| Remarks: SHACMAN F3000 F2000 4*2 6*4 8*4 DZ9118521012 | | | Remarks: SHACMAN F3000 F2000 4*2 6*4 8*4 81.41304.0054 | | |
| KD1526 | | | KD1527 | | |
|  | Part No. | 81.43402.6115 |  | Part No. | DZ9118526013 |
| | CH part name | 弹簧钢板总成 | | CH part name | 前板簧总成 |
| | EN part name | Leaf spring right | | EN part name | Leaf spring right |
| | RU part name | рессора слева | | RU part name | рессора слева |
| | Size:mm | 1850*120*300 | | Size:mm | 1850*120*300 |
| | Weight:kg | 110.9 | | Weight:kg | 110.9 |
| | NO. | NO.83-5 | | NO. | NO.A83-5 |
| Remarks: SHACMAN F3000 F2000 4*2 6*4 | | | Remarks: SHACMAN F3000 F2000 8*4 | | |

SHACMAN(1)

| | | | | | |
|---|--------------|----------------------------------|---|--------------|----------------------------------|
| KD1528 | | | KD1529 | | |
|  | Part No. | 81.43402.611501 |  | Part No. | DZ911852601301 |
| | CH part name | 前钢板簧弹簧第一片 | | CH part name | 前钢板簧弹簧第一片 |
| | EN part name | 1nd of front spring | | EN part name | 1nd of front spring |
| | RU part name | Лист №1 передней рессоры | | RU part name | Лист №1 передней рессоры |
| | Size:mm | 1850*120*25 | | Size:mm | 1850*120*25 |
| | Weight:kg | 23 | | Weight:kg | 23 |
| | NO. | NO.83-5 | | NO. | NO.A83-5 |
| Remarks: SHACMAN F3000 F2000 4*2 6*4 | | | Remarks: SHACMAN F3000 F2000 8*4 | | |
| KD1530 | | | KD1531 | | |
|  | Part No. | 81.43402.611502 |  | Part No. | DZ911852601302 |
| | CH part name | 前钢板簧弹簧第二片 | | CH part name | 前钢板簧弹簧第二片 |
| | EN part name | 2nd of front spring | | EN part name | 2nd of front spring |
| | RU part name | Лист №2 передней рессоры | | RU part name | Лист №2 передней рессоры |
| | Size:mm | 1850*120*25 | | Size:mm | 1850*120*25 |
| | Weight:kg | 19.2 | | Weight:kg | 19.2 |
| | NO. | NO.83-5 | | NO. | NO.A83-5 |
| Remarks: SHACMAN F3000 F2000 4*2 6*4 | | | Remarks: SHACMAN F3000 F2000 8*4 | | |
| KD1532 | | | KD1533 | | |
|  | Part No. | 81.43640.5102 |  | Part No. | 81.43640.5149 |
| | CH part name | 空心橡胶块支架 | | CH part name | 空心橡胶缓冲块后支架 |
| | EN part name | Bracket Assembly | | EN part name | Bracket Assembly |
| | RU part name | в возрастной группе от ассамблеи | | RU part name | в возрастной группе от ассамблеи |
| | Size:mm | | | Size:mm | |
| | Weight:kg | 0.7 | | Weight:kg | 1.2 |
| | NO. | NO.83-9 | | NO. | NO.A83-25 |
| Remarks: SHACMAN F3000 F2000 4*2 6*4 | | | Remarks: SHACMAN F3000 F2000 8*4 | | |
| KD1534 | | | KD1535 | | |
|  | Part No. | 81.43640.5101 |  | Part No. | 81.43640.5150 |
| | CH part name | 空心橡胶块支架 | | CH part name | 空心橡胶缓冲块后支架 |
| | EN part name | Bracket Assembly | | EN part name | Bracket Assembly |
| | RU part name | в возрастной группе от ассамблеи | | RU part name | в возрастной группе от ассамблеи |
| | Size:mm | | | Size:mm | |
| | Weight:kg | 0.7 | | Weight:kg | 1.2 |
| | NO. | NO.83-12 | | NO. | NO.A83-26 |
| Remarks: SHACMAN F3000 F2000 4*2 6*4 | | | Remarks: SHACMAN F3000 F2000 8*4 | | |

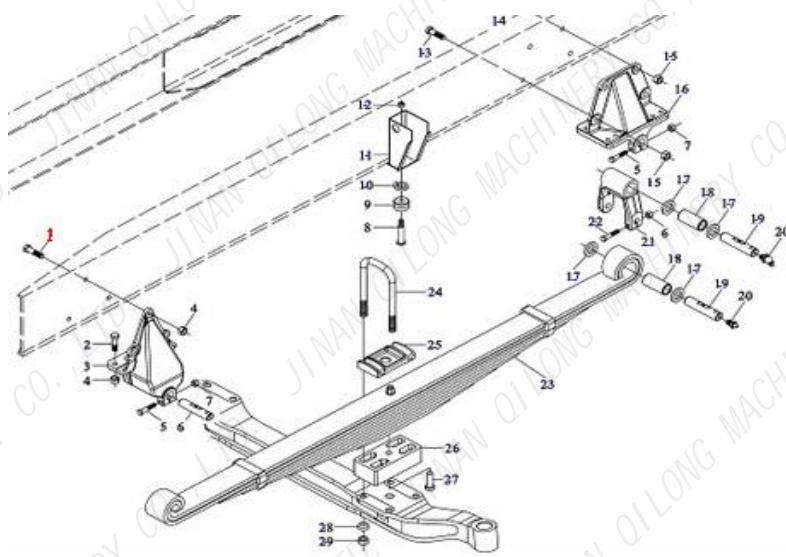
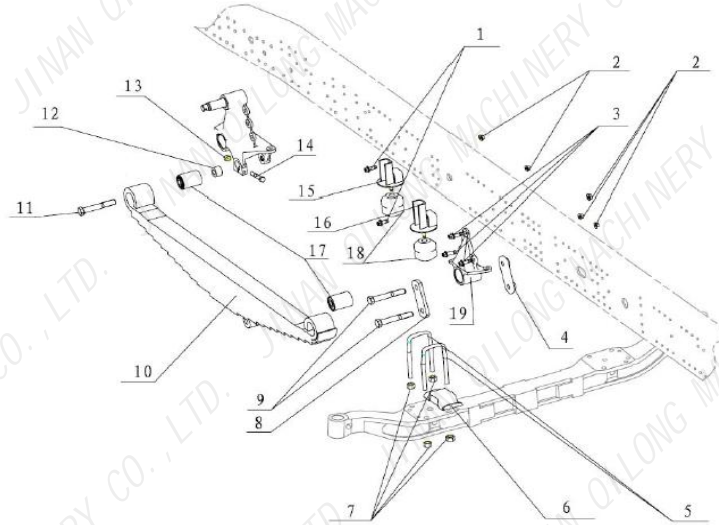




SHACMAN(1)

| | | | | | | | | | | | | | | | | | | | | | | | | | | | | | | | |
|---|--|--|---------------|--------------|------------|--------------|--|--------------|--------------------------------|---------|-----------|-----------|-------|-----|-----------------|---|---|----------|---------------|--------------|-------------|--------------|--|--------------|--------------------------------|---------|-----------|-----------|-------|-----|--------------------|
|  | <table border="1"> <tr><td>Part No.</td><td>81.96020.6013</td></tr> <tr><td>CH part name</td><td>空心橡胶缓冲块</td></tr> <tr><td>EN part name</td><td>Cushion Rubber</td></tr> <tr><td>RU part name</td><td>Отбойник передней подвески</td></tr> <tr><td>Size:mm</td><td>100*75*75</td></tr> <tr><td>Weight:kg</td><td>0.683</td></tr> <tr><td>NO.</td><td>NO.83-8</td></tr> </table> | Part No. | 81.96020.6013 | CH part name | 空心橡胶缓冲块 | EN part name | Cushion Rubber | RU part name | Отбойник передней подвески | Size:mm | 100*75*75 | Weight:kg | 0.683 | NO. | NO.83-8 |  | <table border="1"> <tr><td>Part No.</td><td>81.41303.0080</td></tr> <tr><td>CH part name</td><td>板簧连接板(不带螺纹)</td></tr> <tr><td>EN part name</td><td>Leaf-spring Connecting Panel (without thread)</td></tr> <tr><td>RU part name</td><td>рессора connectingpanel (нить)</td></tr> <tr><td>Size:mm</td><td></td></tr> <tr><td>Weight:kg</td><td>0.154</td></tr> <tr><td>NO.</td><td>NO.A83-13</td></tr> </table> | Part No. | 81.41303.0080 | CH part name | 板簧连接板(不带螺纹) | EN part name | Leaf-spring Connecting Panel (without thread) | RU part name | рессора connectingpanel (нить) | Size:mm | | Weight:kg | 0.154 | NO. | NO.A83-13 |
| Part No. | 81.96020.6013 | | | | | | | | | | | | | | | | | | | | | | | | | | | | | | |
| CH part name | 空心橡胶缓冲块 | | | | | | | | | | | | | | | | | | | | | | | | | | | | | | |
| EN part name | Cushion Rubber | | | | | | | | | | | | | | | | | | | | | | | | | | | | | | |
| RU part name | Отбойник передней подвески | | | | | | | | | | | | | | | | | | | | | | | | | | | | | | |
| Size:mm | 100*75*75 | | | | | | | | | | | | | | | | | | | | | | | | | | | | | | |
| Weight:kg | 0.683 | | | | | | | | | | | | | | | | | | | | | | | | | | | | | | |
| NO. | NO.83-8 | | | | | | | | | | | | | | | | | | | | | | | | | | | | | | |
| Part No. | 81.41303.0080 | | | | | | | | | | | | | | | | | | | | | | | | | | | | | | |
| CH part name | 板簧连接板(不带螺纹) | | | | | | | | | | | | | | | | | | | | | | | | | | | | | | |
| EN part name | Leaf-spring Connecting Panel (without thread) | | | | | | | | | | | | | | | | | | | | | | | | | | | | | | |
| RU part name | рессора connectingpanel (нить) | | | | | | | | | | | | | | | | | | | | | | | | | | | | | | |
| Size:mm | | | | | | | | | | | | | | | | | | | | | | | | | | | | | | | |
| Weight:kg | 0.154 | | | | | | | | | | | | | | | | | | | | | | | | | | | | | | |
| NO. | NO.A83-13 | | | | | | | | | | | | | | | | | | | | | | | | | | | | | | |
| Remarks: SHACMAN F3000 F2000 4*2 6*4 8*4 188000520017 | | Remarks: SHACMAN F3000 F2000 4*2 6*4 8*4 | | | | | | | | | | | | | | | | | | | | | | | | | | | | | |
|  | <table border="1"> <tr><td>Part No.</td><td>81.41303.0079</td></tr> <tr><td>CH part name</td><td>板簧连接板(带螺纹)</td></tr> <tr><td>EN part name</td><td>Leaf-spring ConnectingPanel (with thread)</td></tr> <tr><td>RU part name</td><td>рессора connectingpanel (нить)</td></tr> <tr><td>Size:mm</td><td></td></tr> <tr><td>Weight:kg</td><td>0.23</td></tr> <tr><td>NO.</td><td>NO.83-13</td></tr> </table> | Part No. | 81.41303.0079 | CH part name | 板簧连接板(带螺纹) | EN part name | Leaf-spring ConnectingPanel (with thread) | RU part name | рессора connectingpanel (нить) | Size:mm | | Weight:kg | 0.23 | NO. | NO.83-13 |  | <table border="1"> <tr><td>Part No.</td><td>81.43722.0061</td></tr> <tr><td>CH part name</td><td>前钢板开口销轴套</td></tr> <tr><td>EN part name</td><td>Split bush</td></tr> <tr><td>RU part name</td><td>Втулка стабилизатора</td></tr> <tr><td>Size:mm</td><td>100*70*70</td></tr> <tr><td>Weight:kg</td><td>1.55</td></tr> <tr><td>NO.</td><td>NO.A83-8-17</td></tr> </table> | Part No. | 81.43722.0061 | CH part name | 前钢板开口销轴套 | EN part name | Split bush | RU part name | Втулка стабилизатора | Size:mm | 100*70*70 | Weight:kg | 1.55 | NO. | NO.A83-8-17 |
| Part No. | 81.41303.0079 | | | | | | | | | | | | | | | | | | | | | | | | | | | | | | |
| CH part name | 板簧连接板(带螺纹) | | | | | | | | | | | | | | | | | | | | | | | | | | | | | | |
| EN part name | Leaf-spring ConnectingPanel (with thread) | | | | | | | | | | | | | | | | | | | | | | | | | | | | | | |
| RU part name | рессора connectingpanel (нить) | | | | | | | | | | | | | | | | | | | | | | | | | | | | | | |
| Size:mm | | | | | | | | | | | | | | | | | | | | | | | | | | | | | | | |
| Weight:kg | 0.23 | | | | | | | | | | | | | | | | | | | | | | | | | | | | | | |
| NO. | NO.83-13 | | | | | | | | | | | | | | | | | | | | | | | | | | | | | | |
| Part No. | 81.43722.0061 | | | | | | | | | | | | | | | | | | | | | | | | | | | | | | |
| CH part name | 前钢板开口销轴套 | | | | | | | | | | | | | | | | | | | | | | | | | | | | | | |
| EN part name | Split bush | | | | | | | | | | | | | | | | | | | | | | | | | | | | | | |
| RU part name | Втулка стабилизатора | | | | | | | | | | | | | | | | | | | | | | | | | | | | | | |
| Size:mm | 100*70*70 | | | | | | | | | | | | | | | | | | | | | | | | | | | | | | |
| Weight:kg | 1.55 | | | | | | | | | | | | | | | | | | | | | | | | | | | | | | |
| NO. | NO.A83-8-17 | | | | | | | | | | | | | | | | | | | | | | | | | | | | | | |
| Remarks: SHACMAN F3000 F2000 4*2 6*4 8*4 | | Remarks: SHACMAN F3000 F2000 8*4 | | | | | | | | | | | | | | | | | | | | | | | | | | | | | |
|  | <table border="1"> <tr><td>Part No.</td><td>81.90490.0622</td></tr> <tr><td>CH part name</td><td>右侧钢板螺栓</td></tr> <tr><td>EN part name</td><td>Hex Bolt</td></tr> <tr><td>RU part name</td><td>HEX ВОЛТ</td></tr> <tr><td>Size:mm</td><td></td></tr> <tr><td>Weight:kg</td><td>0.868</td></tr> <tr><td>NO.</td><td>NO.83-7</td></tr> </table> | Part No. | 81.90490.0622 | CH part name | 右侧钢板螺栓 | EN part name | Hex Bolt | RU part name | HEX ВОЛТ | Size:mm | | Weight:kg | 0.868 | NO. | NO.83-7 |  | <table border="1"> <tr><td>Part No.</td><td>06.02839.0012</td></tr> <tr><td>CH part name</td><td>钢板螺栓</td></tr> <tr><td>EN part name</td><td>Hex Bolt</td></tr> <tr><td>RU part name</td><td>HEX ВОЛТ</td></tr> <tr><td>Size:mm</td><td>M24*2*140</td></tr> <tr><td>Weight:kg</td><td>0.6</td></tr> <tr><td>NO.</td><td>NO.A83-10</td></tr> </table> | Part No. | 06.02839.0012 | CH part name | 钢板螺栓 | EN part name | Hex Bolt | RU part name | HEX ВОЛТ | Size:mm | M24*2*140 | Weight:kg | 0.6 | NO. | NO.A83-10 |
| Part No. | 81.90490.0622 | | | | | | | | | | | | | | | | | | | | | | | | | | | | | | |
| CH part name | 右侧钢板螺栓 | | | | | | | | | | | | | | | | | | | | | | | | | | | | | | |
| EN part name | Hex Bolt | | | | | | | | | | | | | | | | | | | | | | | | | | | | | | |
| RU part name | HEX ВОЛТ | | | | | | | | | | | | | | | | | | | | | | | | | | | | | | |
| Size:mm | | | | | | | | | | | | | | | | | | | | | | | | | | | | | | | |
| Weight:kg | 0.868 | | | | | | | | | | | | | | | | | | | | | | | | | | | | | | |
| NO. | NO.83-7 | | | | | | | | | | | | | | | | | | | | | | | | | | | | | | |
| Part No. | 06.02839.0012 | | | | | | | | | | | | | | | | | | | | | | | | | | | | | | |
| CH part name | 钢板螺栓 | | | | | | | | | | | | | | | | | | | | | | | | | | | | | | |
| EN part name | Hex Bolt | | | | | | | | | | | | | | | | | | | | | | | | | | | | | | |
| RU part name | HEX ВОЛТ | | | | | | | | | | | | | | | | | | | | | | | | | | | | | | |
| Size:mm | M24*2*140 | | | | | | | | | | | | | | | | | | | | | | | | | | | | | | |
| Weight:kg | 0.6 | | | | | | | | | | | | | | | | | | | | | | | | | | | | | | |
| NO. | NO.A83-10 | | | | | | | | | | | | | | | | | | | | | | | | | | | | | | |
| Remarks: SHACMAN F3000 F2000 4*2 6*4 8*4 | | Remarks: SHACMAN F3000 F2000 4*2 6*4 8*4 | | | | | | | | | | | | | | | | | | | | | | | | | | | | | |
|  | <table border="1"> <tr><td>Part No.</td><td>DZ9100526015</td></tr> <tr><td>CH part name</td><td>前簧骑马螺栓</td></tr> <tr><td>EN part name</td><td>"U" bolt</td></tr> <tr><td>RU part name</td><td>Стремянка</td></tr> <tr><td>Size:mm</td><td></td></tr> <tr><td>Weight:kg</td><td>1.3</td></tr> <tr><td>NO.</td><td>NO.83-14</td></tr> </table> | Part No. | DZ9100526015 | CH part name | 前簧骑马螺栓 | EN part name | "U" bolt | RU part name | Стремянка | Size:mm | | Weight:kg | 1.3 | NO. | NO.83-14 |  | <table border="1"> <tr><td>Part No.</td><td>06.02839.0021</td></tr> <tr><td>CH part name</td><td>钢板螺栓</td></tr> <tr><td>EN part name</td><td>Hex Bolt</td></tr> <tr><td>RU part name</td><td>HEX ВОЛТ</td></tr> <tr><td>Size:mm</td><td>M24*2*160</td></tr> <tr><td>Weight:kg</td><td>0.6</td></tr> <tr><td>NO.</td><td>NO.A83-14</td></tr> </table> | Part No. | 06.02839.0021 | CH part name | 钢板螺栓 | EN part name | Hex Bolt | RU part name | HEX ВОЛТ | Size:mm | M24*2*160 | Weight:kg | 0.6 | NO. | NO.A83-14 |
| Part No. | DZ9100526015 | | | | | | | | | | | | | | | | | | | | | | | | | | | | | | |
| CH part name | 前簧骑马螺栓 | | | | | | | | | | | | | | | | | | | | | | | | | | | | | | |
| EN part name | "U" bolt | | | | | | | | | | | | | | | | | | | | | | | | | | | | | | |
| RU part name | Стремянка | | | | | | | | | | | | | | | | | | | | | | | | | | | | | | |
| Size:mm | | | | | | | | | | | | | | | | | | | | | | | | | | | | | | | |
| Weight:kg | 1.3 | | | | | | | | | | | | | | | | | | | | | | | | | | | | | | |
| NO. | NO.83-14 | | | | | | | | | | | | | | | | | | | | | | | | | | | | | | |
| Part No. | 06.02839.0021 | | | | | | | | | | | | | | | | | | | | | | | | | | | | | | |
| CH part name | 钢板螺栓 | | | | | | | | | | | | | | | | | | | | | | | | | | | | | | |
| EN part name | Hex Bolt | | | | | | | | | | | | | | | | | | | | | | | | | | | | | | |
| RU part name | HEX ВОЛТ | | | | | | | | | | | | | | | | | | | | | | | | | | | | | | |
| Size:mm | M24*2*160 | | | | | | | | | | | | | | | | | | | | | | | | | | | | | | |
| Weight:kg | 0.6 | | | | | | | | | | | | | | | | | | | | | | | | | | | | | | |
| NO. | NO.A83-14 | | | | | | | | | | | | | | | | | | | | | | | | | | | | | | |
| Remarks: SHACMAN F3000 F2000 4*2 6*4 DZ9100526016 | | Remarks: SHACMAN F3000 F2000 8*4 | | | | | | | | | | | | | | | | | | | | | | | | | | | | | |

SHACMAN(1)

| | | | | | | | | | | | | | | | | | | | | | | | | | | | | | | | |
|---|---|--|---------------|--------------|---------|--------------|---------------------------|--------------|---------------------------|---------|------------|-----------|-------|-----|-----------------|---|--|----------|---------------|--------------|---------------|--------------|------------------|--------------|----------------------------------|---------|------------|-----------|-------|-----|------------------|
|  | <table border="1"> <tr><td>Part No.</td><td>81.41335.0084</td></tr> <tr><td>CH part name</td><td>前弹簧压板</td></tr> <tr><td>EN part name</td><td>Front spring plate</td></tr> <tr><td>RU part name</td><td>Башмак передней стремянки</td></tr> <tr><td>Size:mm</td><td>130*90*32</td></tr> <tr><td>Weight:kg</td><td>2.08</td></tr> <tr><td>NO.</td><td>NO.83-15</td></tr> </table> | Part No. | 81.41335.0084 | CH part name | 前弹簧压板 | EN part name | Front spring plate | RU part name | Башмак передней стремянки | Size:mm | 130*90*32 | Weight:kg | 2.08 | NO. | NO.83-15 |  | <table border="1"> <tr><td>Part No.</td><td>DZ9118526032</td></tr> <tr><td>CH part name</td><td>前骑马螺栓 L</td></tr> <tr><td>EN part name</td><td>"U" bolt</td></tr> <tr><td>RU part name</td><td>Стремянка</td></tr> <tr><td>Size:mm</td><td></td></tr> <tr><td>Weight:kg</td><td>1.58</td></tr> <tr><td>NO.</td><td>NO.A83-11</td></tr> </table> | Part No. | DZ9118526032 | CH part name | 前骑马螺栓 L | EN part name | "U" bolt | RU part name | Стремянка | Size:mm | | Weight:kg | 1.58 | NO. | NO.A83-11 |
| Part No. | 81.41335.0084 | | | | | | | | | | | | | | | | | | | | | | | | | | | | | | |
| CH part name | 前弹簧压板 | | | | | | | | | | | | | | | | | | | | | | | | | | | | | | |
| EN part name | Front spring plate | | | | | | | | | | | | | | | | | | | | | | | | | | | | | | |
| RU part name | Башмак передней стремянки | | | | | | | | | | | | | | | | | | | | | | | | | | | | | | |
| Size:mm | 130*90*32 | | | | | | | | | | | | | | | | | | | | | | | | | | | | | | |
| Weight:kg | 2.08 | | | | | | | | | | | | | | | | | | | | | | | | | | | | | | |
| NO. | NO.83-15 | | | | | | | | | | | | | | | | | | | | | | | | | | | | | | |
| Part No. | DZ9118526032 | | | | | | | | | | | | | | | | | | | | | | | | | | | | | | |
| CH part name | 前骑马螺栓 L | | | | | | | | | | | | | | | | | | | | | | | | | | | | | | |
| EN part name | "U" bolt | | | | | | | | | | | | | | | | | | | | | | | | | | | | | | |
| RU part name | Стремянка | | | | | | | | | | | | | | | | | | | | | | | | | | | | | | |
| Size:mm | | | | | | | | | | | | | | | | | | | | | | | | | | | | | | | |
| Weight:kg | 1.58 | | | | | | | | | | | | | | | | | | | | | | | | | | | | | | |
| NO. | NO.A83-11 | | | | | | | | | | | | | | | | | | | | | | | | | | | | | | |
| Remarks: SHACMAN F3000 F2000 4*2 6*4 8*4 | | Remarks: SHACMAN F3000 F2000 8*4 | | | | | | | | | | | | | | | | | | | | | | | | | | | | | |
|  | <table border="1"> <tr><td>Part No.</td><td>188000520002</td></tr> <tr><td>CH part name</td><td>前弹簧压板</td></tr> <tr><td>EN part name</td><td>Front spring plate</td></tr> <tr><td>RU part name</td><td>Башмак передней стремянки</td></tr> <tr><td>Size:mm</td><td>130*90*32</td></tr> <tr><td>Weight:kg</td><td>2.08</td></tr> <tr><td>NO.</td><td>NO.84-25</td></tr> </table> | Part No. | 188000520002 | CH part name | 前弹簧压板 | EN part name | Front spring plate | RU part name | Башмак передней стремянки | Size:mm | 130*90*32 | Weight:kg | 2.08 | NO. | NO.84-25 |  | <table border="1"> <tr><td>Part No.</td><td>DZ9118526031</td></tr> <tr><td>CH part name</td><td>前骑马螺栓 R</td></tr> <tr><td>EN part name</td><td>"U" bolt</td></tr> <tr><td>RU part name</td><td>Стремянка</td></tr> <tr><td>Size:mm</td><td>265*18</td></tr> <tr><td>Weight:kg</td><td>1.3</td></tr> <tr><td>NO.</td><td>NO.A83-12</td></tr> </table> | Part No. | DZ9118526031 | CH part name | 前骑马螺栓 R | EN part name | "U" bolt | RU part name | Стремянка | Size:mm | 265*18 | Weight:kg | 1.3 | NO. | NO.A83-12 |
| Part No. | 188000520002 | | | | | | | | | | | | | | | | | | | | | | | | | | | | | | |
| CH part name | 前弹簧压板 | | | | | | | | | | | | | | | | | | | | | | | | | | | | | | |
| EN part name | Front spring plate | | | | | | | | | | | | | | | | | | | | | | | | | | | | | | |
| RU part name | Башмак передней стремянки | | | | | | | | | | | | | | | | | | | | | | | | | | | | | | |
| Size:mm | 130*90*32 | | | | | | | | | | | | | | | | | | | | | | | | | | | | | | |
| Weight:kg | 2.08 | | | | | | | | | | | | | | | | | | | | | | | | | | | | | | |
| NO. | NO.84-25 | | | | | | | | | | | | | | | | | | | | | | | | | | | | | | |
| Part No. | DZ9118526031 | | | | | | | | | | | | | | | | | | | | | | | | | | | | | | |
| CH part name | 前骑马螺栓 R | | | | | | | | | | | | | | | | | | | | | | | | | | | | | | |
| EN part name | "U" bolt | | | | | | | | | | | | | | | | | | | | | | | | | | | | | | |
| RU part name | Стремянка | | | | | | | | | | | | | | | | | | | | | | | | | | | | | | |
| Size:mm | 265*18 | | | | | | | | | | | | | | | | | | | | | | | | | | | | | | |
| Weight:kg | 1.3 | | | | | | | | | | | | | | | | | | | | | | | | | | | | | | |
| NO. | NO.A83-12 | | | | | | | | | | | | | | | | | | | | | | | | | | | | | | |
| Remarks: SHACMAN F3000 F2000 4*2 6*4 8*4 199000520093 STR | | Remarks: SHACMAN F3000 F2000 8*4 | | | | | | | | | | | | | | | | | | | | | | | | | | | | | |
|  | <table border="1"> <tr><td>Part No.</td><td>199014520259</td></tr> <tr><td>CH part name</td><td>前骑马螺栓</td></tr> <tr><td>EN part name</td><td>"U" bolt</td></tr> <tr><td>RU part name</td><td>Стремянка</td></tr> <tr><td>Size:mm</td><td>265*130*18</td></tr> <tr><td>Weight:kg</td><td>1.285</td></tr> <tr><td>NO.</td><td>NO.84-24</td></tr> </table> | Part No. | 199014520259 | CH part name | 前骑马螺栓 | EN part name | "U" bolt | RU part name | Стремянка | Size:mm | 265*130*18 | Weight:kg | 1.285 | NO. | NO.84-24 |  | <table border="1"> <tr><td>Part No.</td><td>199000520086</td></tr> <tr><td>CH part name</td><td>前骑马螺栓</td></tr> <tr><td>EN part name</td><td>"U" bolt</td></tr> <tr><td>RU part name</td><td>Стремянка</td></tr> <tr><td>Size:mm</td><td>265*130*18</td></tr> <tr><td>Weight:kg</td><td>1.285</td></tr> <tr><td>NO.</td><td>NO.84-24</td></tr> </table> | Part No. | 199000520086 | CH part name | 前骑马螺栓 | EN part name | "U" bolt | RU part name | Стремянка | Size:mm | 265*130*18 | Weight:kg | 1.285 | NO. | NO.84-24 |
| Part No. | 199014520259 | | | | | | | | | | | | | | | | | | | | | | | | | | | | | | |
| CH part name | 前骑马螺栓 | | | | | | | | | | | | | | | | | | | | | | | | | | | | | | |
| EN part name | "U" bolt | | | | | | | | | | | | | | | | | | | | | | | | | | | | | | |
| RU part name | Стремянка | | | | | | | | | | | | | | | | | | | | | | | | | | | | | | |
| Size:mm | 265*130*18 | | | | | | | | | | | | | | | | | | | | | | | | | | | | | | |
| Weight:kg | 1.285 | | | | | | | | | | | | | | | | | | | | | | | | | | | | | | |
| NO. | NO.84-24 | | | | | | | | | | | | | | | | | | | | | | | | | | | | | | |
| Part No. | 199000520086 | | | | | | | | | | | | | | | | | | | | | | | | | | | | | | |
| CH part name | 前骑马螺栓 | | | | | | | | | | | | | | | | | | | | | | | | | | | | | | |
| EN part name | "U" bolt | | | | | | | | | | | | | | | | | | | | | | | | | | | | | | |
| RU part name | Стремянка | | | | | | | | | | | | | | | | | | | | | | | | | | | | | | |
| Size:mm | 265*130*18 | | | | | | | | | | | | | | | | | | | | | | | | | | | | | | |
| Weight:kg | 1.285 | | | | | | | | | | | | | | | | | | | | | | | | | | | | | | |
| NO. | NO.84-24 | | | | | | | | | | | | | | | | | | | | | | | | | | | | | | |
| Remarks: SHACMAN F3000 F2000 4*2 6*4 STR | | Remarks: SHACMAN F3000 F2000 4*2 6*4 STR | | | | | | | | | | | | | | | | | | | | | | | | | | | | | |
|  | <table border="1"> <tr><td>Part No.</td><td>199100520007</td></tr> <tr><td>CH part name</td><td>前钢板弹簧销轴</td></tr> <tr><td>EN part name</td><td>Front spring shackle bolt</td></tr> <tr><td>RU part name</td><td>Палец рессоры</td></tr> <tr><td>Size:mm</td><td>150*30*30</td></tr> <tr><td>Weight:kg</td><td>0.8</td></tr> <tr><td>NO.</td><td>NO.84-19</td></tr> </table> | Part No. | 199100520007 | CH part name | 前钢板弹簧销轴 | EN part name | Front spring shackle bolt | RU part name | Палец рессоры | Size:mm | 150*30*30 | Weight:kg | 0.8 | NO. | NO.84-19 |  | <table border="1"> <tr><td>Part No.</td><td>DZ95319522020</td></tr> <tr><td>CH part name</td><td>前桥限位块后支架 II 桥</td></tr> <tr><td>EN part name</td><td>Bracket Assembly</td></tr> <tr><td>RU part name</td><td>в возрастной группе от ассамблеи</td></tr> <tr><td>Size:mm</td><td></td></tr> <tr><td>Weight:kg</td><td>1.3</td></tr> <tr><td>NO.</td><td>NO.84-16</td></tr> </table> | Part No. | DZ95319522020 | CH part name | 前桥限位块后支架 II 桥 | EN part name | Bracket Assembly | RU part name | в возрастной группе от ассамблеи | Size:mm | | Weight:kg | 1.3 | NO. | NO.84-16 |
| Part No. | 199100520007 | | | | | | | | | | | | | | | | | | | | | | | | | | | | | | |
| CH part name | 前钢板弹簧销轴 | | | | | | | | | | | | | | | | | | | | | | | | | | | | | | |
| EN part name | Front spring shackle bolt | | | | | | | | | | | | | | | | | | | | | | | | | | | | | | |
| RU part name | Палец рессоры | | | | | | | | | | | | | | | | | | | | | | | | | | | | | | |
| Size:mm | 150*30*30 | | | | | | | | | | | | | | | | | | | | | | | | | | | | | | |
| Weight:kg | 0.8 | | | | | | | | | | | | | | | | | | | | | | | | | | | | | | |
| NO. | NO.84-19 | | | | | | | | | | | | | | | | | | | | | | | | | | | | | | |
| Part No. | DZ95319522020 | | | | | | | | | | | | | | | | | | | | | | | | | | | | | | |
| CH part name | 前桥限位块后支架 II 桥 | | | | | | | | | | | | | | | | | | | | | | | | | | | | | | |
| EN part name | Bracket Assembly | | | | | | | | | | | | | | | | | | | | | | | | | | | | | | |
| RU part name | в возрастной группе от ассамблеи | | | | | | | | | | | | | | | | | | | | | | | | | | | | | | |
| Size:mm | | | | | | | | | | | | | | | | | | | | | | | | | | | | | | | |
| Weight:kg | 1.3 | | | | | | | | | | | | | | | | | | | | | | | | | | | | | | |
| NO. | NO.84-16 | | | | | | | | | | | | | | | | | | | | | | | | | | | | | | |
| Remarks: SHACMAN 4*2 6*4 STR 199100520005/06 DZ9100520065 DZ9100520007 | | Remarks: SHACMAN F3000 F2000 8*4 | | | | | | | | | | | | | | | | | | | | | | | | | | | | | |

SHACMAN(1)

| FRONT SUSPENSION/4*2 6*4 STEYR | | NO.84 | | FRONT SUSPENSION/AXLE II 8*4 | | NO.A84 | |
|---|--------------|-------------------------|--|---|--------------|---------------------------|--|
|  | | | |  | | | |
| KD1552 | | | | KD1553 | | | |
|  | Part No. | 199100520034 | |  | Part No. | DZ9114520005 | |
| | CH part name | 前簧吊耳 | | | CH part name | 前钢板弹簧销轴 | |
| | EN part name | Front spring shackle | | | EN part name | Front spring shackle bolt | |
| | RU part name | Серьга передней рессоры | | | RU part name | Палец рессоры | |
| | Size:mm | 154*175*62 | | | Size:mm | 210*30*30 | |
| | Weight:kg | 3.31 | | | Weight:kg | 0.82 | |
| | NO. | NO.84-21 | | | NO. | NO.A84 | |
| Remarks: SHACMAN F3000 F2000 4*2 6*4 STEYR | | | | Remarks: SHACMAN F3000 F2000 4*2 6*4 | | | |
| KD1554 | | | | KD1555 | | | |
|  | Part No. | 199014520304 | |  | Part No. | 199100520065 | |
| | CH part name | 前钢板弹簧座 | | | CH part name | 前钢板弹簧销轴 | |
| | EN part name | Spring base | | | EN part name | Front spring shackle bolt | |
| | RU part name | весной базы | | | RU part name | Палец рессоры | |
| | Size:mm | | | | Size:mm | 150*30*30 | |
| | Weight:kg | 3.5 | | | Weight:kg | 0.8 | |
| | NO. | NO.84-26 | | | NO. | NO.84-19 | |
| Remarks: SHACMAN F3000 F2000 4*2 6*4 STEYR | | | | Remarks: SHACMAN F3000 F2000 8*4 STEYR | | | |

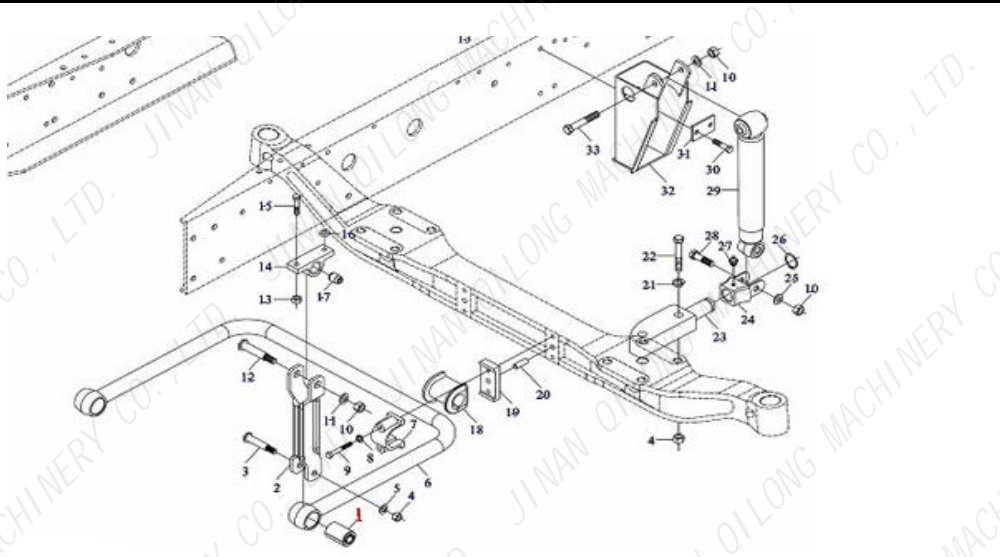





SHACMAN(1)

| | | | | | | | | | | | | | | | | | | | | | | | | | | | | | | | |
|---|--|--|---------------|--------------|-------------|--------------|---------------------------|--------------|-----------------------------|---------|--------------|-----------|-------|-----|-----------------|---|---|----------|---------------|--------------|-------------|--------------|---------------------------|--------------|-----------------------------|---------|--------------|-----------|-------|-----|------------------|
|  | <table border="1"> <tr><td>Part No.</td><td>DZ9100529004</td></tr> <tr><td>CH part name</td><td>前钢板总成 (L)</td></tr> <tr><td>EN part name</td><td>Leaf spring left</td></tr> <tr><td>RU part name</td><td>рессора слева</td></tr> <tr><td>Size:mm</td><td>1850*120*300</td></tr> <tr><td>Weight:kg</td><td>110.4</td></tr> <tr><td>NO.</td><td>NO.84-23</td></tr> </table> | Part No. | DZ9100529004 | CH part name | 前钢板总成 (L) | EN part name | Leaf spring left | RU part name | рессора слева | Size:mm | 1850*120*300 | Weight:kg | 110.4 | NO. | NO.84-23 |  | <table border="1"> <tr><td>Part No.</td><td>DZ9100529005</td></tr> <tr><td>CH part name</td><td>前钢板总成 (右)</td></tr> <tr><td>EN part name</td><td>Leaf spring right</td></tr> <tr><td>RU part name</td><td>рессора справа</td></tr> <tr><td>Size:mm</td><td>1850*120*300</td></tr> <tr><td>Weight:kg</td><td>110.4</td></tr> <tr><td>NO.</td><td>NO.84-23</td></tr> </table> | Part No. | DZ9100529005 | CH part name | 前钢板总成 (右) | EN part name | Leaf spring right | RU part name | рессора справа | Size:mm | 1850*120*300 | Weight:kg | 110.4 | NO. | NO.84-23 |
| Part No. | DZ9100529004 | | | | | | | | | | | | | | | | | | | | | | | | | | | | | | |
| CH part name | 前钢板总成 (L) | | | | | | | | | | | | | | | | | | | | | | | | | | | | | | |
| EN part name | Leaf spring left | | | | | | | | | | | | | | | | | | | | | | | | | | | | | | |
| RU part name | рессора слева | | | | | | | | | | | | | | | | | | | | | | | | | | | | | | |
| Size:mm | 1850*120*300 | | | | | | | | | | | | | | | | | | | | | | | | | | | | | | |
| Weight:kg | 110.4 | | | | | | | | | | | | | | | | | | | | | | | | | | | | | | |
| NO. | NO.84-23 | | | | | | | | | | | | | | | | | | | | | | | | | | | | | | |
| Part No. | DZ9100529005 | | | | | | | | | | | | | | | | | | | | | | | | | | | | | | |
| CH part name | 前钢板总成 (右) | | | | | | | | | | | | | | | | | | | | | | | | | | | | | | |
| EN part name | Leaf spring right | | | | | | | | | | | | | | | | | | | | | | | | | | | | | | |
| RU part name | рессора справа | | | | | | | | | | | | | | | | | | | | | | | | | | | | | | |
| Size:mm | 1850*120*300 | | | | | | | | | | | | | | | | | | | | | | | | | | | | | | |
| Weight:kg | 110.4 | | | | | | | | | | | | | | | | | | | | | | | | | | | | | | |
| NO. | NO.84-23 | | | | | | | | | | | | | | | | | | | | | | | | | | | | | | |
| Remarks: SHACMAN F3000 F2000 4*2 6*4 DZ95259520016 | | Remarks: SHACMAN F3000 F2000 4*2 6*4 DZ9118526013/12 | | | | | | | | | | | | | | | | | | | | | | | | | | | | | |
|  | <table border="1"> <tr><td>Part No.</td><td>DZ95259680012</td></tr> <tr><td>CH part name</td><td>前减震器</td></tr> <tr><td>EN part name</td><td>Front axle shock absorber</td></tr> <tr><td>RU part name</td><td>Амортизатор переднего моста</td></tr> <tr><td>Size:mm</td><td>480*65*65</td></tr> <tr><td>Weight:kg</td><td>4.67</td></tr> <tr><td>NO.</td><td>NO.85-3</td></tr> </table> | Part No. | DZ95259680012 | CH part name | 前减震器 | EN part name | Front axle shock absorber | RU part name | Амортизатор переднего моста | Size:mm | 480*65*65 | Weight:kg | 4.67 | NO. | NO.85-3 |  | <table border="1"> <tr><td>Part No.</td><td>DZ95259680013</td></tr> <tr><td>CH part name</td><td>前减震器</td></tr> <tr><td>EN part name</td><td>Front axle shock absorber</td></tr> <tr><td>RU part name</td><td>Амортизатор переднего моста</td></tr> <tr><td>Size:mm</td><td>480*65*65</td></tr> <tr><td>Weight:kg</td><td>3.67</td></tr> <tr><td>NO.</td><td>NO.A85-3</td></tr> </table> | Part No. | DZ95259680013 | CH part name | 前减震器 | EN part name | Front axle shock absorber | RU part name | Амортизатор переднего моста | Size:mm | 480*65*65 | Weight:kg | 3.67 | NO. | NO.A85-3 |
| Part No. | DZ95259680012 | | | | | | | | | | | | | | | | | | | | | | | | | | | | | | |
| CH part name | 前减震器 | | | | | | | | | | | | | | | | | | | | | | | | | | | | | | |
| EN part name | Front axle shock absorber | | | | | | | | | | | | | | | | | | | | | | | | | | | | | | |
| RU part name | Амортизатор переднего моста | | | | | | | | | | | | | | | | | | | | | | | | | | | | | | |
| Size:mm | 480*65*65 | | | | | | | | | | | | | | | | | | | | | | | | | | | | | | |
| Weight:kg | 4.67 | | | | | | | | | | | | | | | | | | | | | | | | | | | | | | |
| NO. | NO.85-3 | | | | | | | | | | | | | | | | | | | | | | | | | | | | | | |
| Part No. | DZ95259680013 | | | | | | | | | | | | | | | | | | | | | | | | | | | | | | |
| CH part name | 前减震器 | | | | | | | | | | | | | | | | | | | | | | | | | | | | | | |
| EN part name | Front axle shock absorber | | | | | | | | | | | | | | | | | | | | | | | | | | | | | | |
| RU part name | Амортизатор переднего моста | | | | | | | | | | | | | | | | | | | | | | | | | | | | | | |
| Size:mm | 480*65*65 | | | | | | | | | | | | | | | | | | | | | | | | | | | | | | |
| Weight:kg | 3.67 | | | | | | | | | | | | | | | | | | | | | | | | | | | | | | |
| NO. | NO.A85-3 | | | | | | | | | | | | | | | | | | | | | | | | | | | | | | |
| Remarks: SHACMAN F3000 F2000 4*2 6*4 8*4 | | Remarks: SHACMAN F3000 F2000 8*4 | | | | | | | | | | | | | | | | | | | | | | | | | | | | | |
|  | <table border="1"> <tr><td>Part No.</td><td>DZ9100680020</td></tr> <tr><td>CH part name</td><td>减震器支架</td></tr> <tr><td>EN part name</td><td>Bracket</td></tr> <tr><td>RU part name</td><td>кронштейн</td></tr> <tr><td>Size:mm</td><td></td></tr> <tr><td>Weight:kg</td><td>1.05</td></tr> <tr><td>NO.</td><td>NO.85-9</td></tr> </table> | Part No. | DZ9100680020 | CH part name | 减震器支架 | EN part name | Bracket | RU part name | кронштейн | Size:mm | | Weight:kg | 1.05 | NO. | NO.85-9 |  | <table border="1"> <tr><td>Part No.</td><td>81.43705.0213</td></tr> <tr><td>CH part name</td><td>减震器支架</td></tr> <tr><td>EN part name</td><td>Bracket</td></tr> <tr><td>RU part name</td><td>кронштейн</td></tr> <tr><td>Size:mm</td><td></td></tr> <tr><td>Weight:kg</td><td>0.56</td></tr> <tr><td>NO.</td><td>NO.A85-1</td></tr> </table> | Part No. | 81.43705.0213 | CH part name | 减震器支架 | EN part name | Bracket | RU part name | кронштейн | Size:mm | | Weight:kg | 0.56 | NO. | NO.A85-1 |
| Part No. | DZ9100680020 | | | | | | | | | | | | | | | | | | | | | | | | | | | | | | |
| CH part name | 减震器支架 | | | | | | | | | | | | | | | | | | | | | | | | | | | | | | |
| EN part name | Bracket | | | | | | | | | | | | | | | | | | | | | | | | | | | | | | |
| RU part name | кронштейн | | | | | | | | | | | | | | | | | | | | | | | | | | | | | | |
| Size:mm | | | | | | | | | | | | | | | | | | | | | | | | | | | | | | | |
| Weight:kg | 1.05 | | | | | | | | | | | | | | | | | | | | | | | | | | | | | | |
| NO. | NO.85-9 | | | | | | | | | | | | | | | | | | | | | | | | | | | | | | |
| Part No. | 81.43705.0213 | | | | | | | | | | | | | | | | | | | | | | | | | | | | | | |
| CH part name | 减震器支架 | | | | | | | | | | | | | | | | | | | | | | | | | | | | | | |
| EN part name | Bracket | | | | | | | | | | | | | | | | | | | | | | | | | | | | | | |
| RU part name | кронштейн | | | | | | | | | | | | | | | | | | | | | | | | | | | | | | |
| Size:mm | | | | | | | | | | | | | | | | | | | | | | | | | | | | | | | |
| Weight:kg | 0.56 | | | | | | | | | | | | | | | | | | | | | | | | | | | | | | |
| NO. | NO.A85-1 | | | | | | | | | | | | | | | | | | | | | | | | | | | | | | |
| Remarks: SHACMAN F3000 F2000 4*2 6*4 DZ9100680020 | | Remarks: SHACMAN F3000 F2000 8*4 | | | | | | | | | | | | | | | | | | | | | | | | | | | | | |
|  | <table border="1"> <tr><td>Part No.</td><td>81.43740.0171</td></tr> <tr><td>CH part name</td><td>前减振器支架</td></tr> <tr><td>EN part name</td><td>Shock absorber bracket</td></tr> <tr><td>RU part name</td><td>Опора амортизатора</td></tr> <tr><td>Size:mm</td><td></td></tr> <tr><td>Weight:kg</td><td>0.7</td></tr> <tr><td>NO.</td><td>NO.85-5</td></tr> </table> | Part No. | 81.43740.0171 | CH part name | 前减振器支架 | EN part name | Shock absorber bracket | RU part name | Опора амортизатора | Size:mm | | Weight:kg | 0.7 | NO. | NO.85-5 |  | <table border="1"> <tr><td>Part No.</td><td>81.43705.0223</td></tr> <tr><td>CH part name</td><td>前后减震器支架</td></tr> <tr><td>EN part name</td><td>Bracket</td></tr> <tr><td>RU part name</td><td>кронштейн</td></tr> <tr><td>Size:mm</td><td></td></tr> <tr><td>Weight:kg</td><td>0.65</td></tr> <tr><td>NO.</td><td>NO.A85-10</td></tr> </table> | Part No. | 81.43705.0223 | CH part name | 前后减震器支架 | EN part name | Bracket | RU part name | кронштейн | Size:mm | | Weight:kg | 0.65 | NO. | NO.A85-10 |
| Part No. | 81.43740.0171 | | | | | | | | | | | | | | | | | | | | | | | | | | | | | | |
| CH part name | 前减振器支架 | | | | | | | | | | | | | | | | | | | | | | | | | | | | | | |
| EN part name | Shock absorber bracket | | | | | | | | | | | | | | | | | | | | | | | | | | | | | | |
| RU part name | Опора амортизатора | | | | | | | | | | | | | | | | | | | | | | | | | | | | | | |
| Size:mm | | | | | | | | | | | | | | | | | | | | | | | | | | | | | | | |
| Weight:kg | 0.7 | | | | | | | | | | | | | | | | | | | | | | | | | | | | | | |
| NO. | NO.85-5 | | | | | | | | | | | | | | | | | | | | | | | | | | | | | | |
| Part No. | 81.43705.0223 | | | | | | | | | | | | | | | | | | | | | | | | | | | | | | |
| CH part name | 前后减震器支架 | | | | | | | | | | | | | | | | | | | | | | | | | | | | | | |
| EN part name | Bracket | | | | | | | | | | | | | | | | | | | | | | | | | | | | | | |
| RU part name | кронштейн | | | | | | | | | | | | | | | | | | | | | | | | | | | | | | |
| Size:mm | | | | | | | | | | | | | | | | | | | | | | | | | | | | | | | |
| Weight:kg | 0.65 | | | | | | | | | | | | | | | | | | | | | | | | | | | | | | |
| NO. | NO.A85-10 | | | | | | | | | | | | | | | | | | | | | | | | | | | | | | |
| Remarks: SHACMAN F3000 F2000 4*2 6*4 | | Remarks: SHACMAN F3000 F2000 8*4 | | | | | | | | | | | | | | | | | | | | | | | | | | | | | |

SHACMAN(1)

| FRONT SHOCK ABSORBER 4*2 6*4 | | NO.85 | | FRONT SHOCK ABSORBER 8*4 | | NO.A85 | |
|--|--------------|---------------|--|--------------------------------------|--------------|------------------------|--|
| | | | | | | | |
| KD1564 | | | | KD1565 | | | |
| | Part No. | SZ967000736 | | | Part No. | SZ967000713 | |
| | CH part name | II轴减震器支架总成 | | | CH part name | 减振器支架总成 | |
| | EN part name | Bracket | | | EN part name | Bracket | |
| | RU part name | кронштейн | | | RU part name | кронштейн | |
| | Size:mm | | | | Size:mm | | |
| | Weight:kg | 3.1 | | | Weight:kg | 3.1 | |
| | NO. | NO.85-9 | | | NO. | NO.85-9 | |
| Remarks: SHACMAN F3000 F2000 8*4 | | | | Remarks: SHACMAN F3000 F2000 4*2 6*4 | | | |
| KD1566 | | | | KD1567 | | | |
| | Part No. | Q151B16100TF2 | | | Part No. | 81.43740.0147 | |
| | CH part name | 减震器螺栓 | | | CH part name | 前减振器支架 | |
| | EN part name | Hex Bolt | | | EN part name | Shock absorber bracket | |
| | RU part name | Стремянка | | | RU part name | Опора амортизатора | |
| | Size:mm | M8*25 | | | Size:mm | | |
| | Weight:kg | 0.45 | | | Weight:kg | 0.7 | |
| | NO. | NO.85-4 | | | NO. | NO.A85-9 | |
| Remarks: SHACMAN F3000 F2000 4*2 6*4 Q151B16100TF3 | | | | Remarks: SHACMAN F3000 F2000 8*4 | | | |

SHACMAN(1)

| FRONT TRANSVERSE STABILIZER/4*2 6*4 STEYR | | NO.86 | |
|---|--|---|---|
|  | | KD1568 | |
| | |  | Part No. Q151B24115TF2 CH part name 前减震器支架螺栓 EN part name Hex Bolt RU part name Стремянка Size:mm Weight:kg 0.45 NO. NO.A85-7 |
| | | Remarks: SHACMAN F3000 F2000 6*4 8*4 | |
| | | KD1569 | |
| | |  | Part No. DZ9114680010 CH part name 前减震器支架 EN part name Shock absorber bracket RU part name Опора амортизатора Size:mm 150*180*150 Weight:kg 1.5 NO. NO.86-32 |
| | | Remarks: SHACMAN F3000 F2000 4*2 6*4 STEYR | |
| | | KD1570 | |
|  | Part No. 199100680048 CH part name 前稳定杆 EN part name Stabilizer assy RU part name Стабилизатор задний поперечной устойчиво Size:mm Weight:kg 20.5 NO. NO.86-6 | KD1571 | |
| Remarks: SHACMAN F3000 F2000 4*2 6*4 STEYR | | Remarks: SHACMAN F3000 F2000 4*2 6*4 STEYR | |
| KD1572 | | KD1573 | |
|  | Part No. 199100680054 CH part name 稳定杆套合件 EN part name Front stabilizer bush RU part name Втулка переднего стабилизатора Size:mm 60*30*30 Weight:kg 0.2 NO. NO.86-1 |  | Part No. 199100680053 CH part name 前稳定杆支架 EN part name Bracket RU part name кронштейн Size:mm Weight:kg 0.54 NO. NO.86-14 |
| Remarks: SHACMAN F3000 F2000 4*2 6*4 STEYR | | Remarks: SHACMAN F3000 F2000 4*2 6*4 STEYR | |

SHACMAN(1)

| | | | | | | | | | | | | | | | | | | | | | | | | | | | | | | | |
|---|---|---|-----------------|--------------|--------------|--------------|----------------------------------|--------------|------------------------------|---------|-----------|-----------|------|-----|--------------------|---|--|----------|---------------|--------------|----------|--------------|----------------|--------------|-------------------------------|---------|----------|-----------|------|-----|--------------------|
|  | <table border="1"> <tr><td>Part No.</td><td>DZ9100680027</td></tr> <tr><td>CH part name</td><td>前稳定杆固定垫板</td></tr> <tr><td>EN part name</td><td>Plate</td></tr> <tr><td>RU part name</td><td>Прокладка</td></tr> <tr><td>Size:mm</td><td>100*50*10</td></tr> <tr><td>Weight:kg</td><td>0.8</td></tr> <tr><td>NO.</td><td>NO.86-19</td></tr> </table> | Part No. | DZ9100680027 | CH part name | 前稳定杆固定垫板 | EN part name | Plate | RU part name | Прокладка | Size:mm | 100*50*10 | Weight:kg | 0.8 | NO. | NO.86-19 |  | <table border="1"> <tr><td>Part No.</td><td>199100680068</td></tr> <tr><td>CH part name</td><td>前稳定杆橡胶轴承</td></tr> <tr><td>EN part name</td><td>Rubber bearing</td></tr> <tr><td>RU part name</td><td>Втулка стабилизатора передняя</td></tr> <tr><td>Size:mm</td><td>69*69*65</td></tr> <tr><td>Weight:kg</td><td>0.21</td></tr> <tr><td>NO.</td><td>NO.86-18</td></tr> </table> | Part No. | 199100680068 | CH part name | 前稳定杆橡胶轴承 | EN part name | Rubber bearing | RU part name | Втулка стабилизатора передняя | Size:mm | 69*69*65 | Weight:kg | 0.21 | NO. | NO.86-18 |
| Part No. | DZ9100680027 | | | | | | | | | | | | | | | | | | | | | | | | | | | | | | |
| CH part name | 前稳定杆固定垫板 | | | | | | | | | | | | | | | | | | | | | | | | | | | | | | |
| EN part name | Plate | | | | | | | | | | | | | | | | | | | | | | | | | | | | | | |
| RU part name | Прокладка | | | | | | | | | | | | | | | | | | | | | | | | | | | | | | |
| Size:mm | 100*50*10 | | | | | | | | | | | | | | | | | | | | | | | | | | | | | | |
| Weight:kg | 0.8 | | | | | | | | | | | | | | | | | | | | | | | | | | | | | | |
| NO. | NO.86-19 | | | | | | | | | | | | | | | | | | | | | | | | | | | | | | |
| Part No. | 199100680068 | | | | | | | | | | | | | | | | | | | | | | | | | | | | | | |
| CH part name | 前稳定杆橡胶轴承 | | | | | | | | | | | | | | | | | | | | | | | | | | | | | | |
| EN part name | Rubber bearing | | | | | | | | | | | | | | | | | | | | | | | | | | | | | | |
| RU part name | Втулка стабилизатора передняя | | | | | | | | | | | | | | | | | | | | | | | | | | | | | | |
| Size:mm | 69*69*65 | | | | | | | | | | | | | | | | | | | | | | | | | | | | | | |
| Weight:kg | 0.21 | | | | | | | | | | | | | | | | | | | | | | | | | | | | | | |
| NO. | NO.86-18 | | | | | | | | | | | | | | | | | | | | | | | | | | | | | | |
| Remarks: SHACMAN F3000 F2000 4*2 6*4 STEYR 188000680027 | | Remarks: SHACMAN F3000 F2000 4*2 6*4 STEYR | | | | | | | | | | | | | | | | | | | | | | | | | | | | | |
|  | <table border="1"> <tr><td>Part No.</td><td>DZ9100680024</td></tr> <tr><td>CH part name</td><td>前稳定杆固定夹板</td></tr> <tr><td>EN part name</td><td>Fixture splint</td></tr> <tr><td>RU part name</td><td>Зажимная пластина</td></tr> <tr><td>Size:mm</td><td>94*64*46</td></tr> <tr><td>Weight:kg</td><td>0.45</td></tr> <tr><td>NO.</td><td>NO.86-7</td></tr> </table> | Part No. | DZ9100680024 | CH part name | 前稳定杆固定夹板 | EN part name | Fixture splint | RU part name | Зажимная пластина | Size:mm | 94*64*46 | Weight:kg | 0.45 | NO. | NO.86-7 |  | <table border="1"> <tr><td>Part No.</td><td>DZ9100680065</td></tr> <tr><td>CH part name</td><td>连接又支座</td></tr> <tr><td>EN part name</td><td>Support</td></tr> <tr><td>RU part name</td><td>поддержка</td></tr> <tr><td>Size:mm</td><td></td></tr> <tr><td>Weight:kg</td><td>2.1</td></tr> <tr><td>NO.</td><td>NO.86-23</td></tr> </table> | Part No. | DZ9100680065 | CH part name | 连接又支座 | EN part name | Support | RU part name | поддержка | Size:mm | | Weight:kg | 2.1 | NO. | NO.86-23 |
| Part No. | DZ9100680024 | | | | | | | | | | | | | | | | | | | | | | | | | | | | | | |
| CH part name | 前稳定杆固定夹板 | | | | | | | | | | | | | | | | | | | | | | | | | | | | | | |
| EN part name | Fixture splint | | | | | | | | | | | | | | | | | | | | | | | | | | | | | | |
| RU part name | Зажимная пластина | | | | | | | | | | | | | | | | | | | | | | | | | | | | | | |
| Size:mm | 94*64*46 | | | | | | | | | | | | | | | | | | | | | | | | | | | | | | |
| Weight:kg | 0.45 | | | | | | | | | | | | | | | | | | | | | | | | | | | | | | |
| NO. | NO.86-7 | | | | | | | | | | | | | | | | | | | | | | | | | | | | | | |
| Part No. | DZ9100680065 | | | | | | | | | | | | | | | | | | | | | | | | | | | | | | |
| CH part name | 连接又支座 | | | | | | | | | | | | | | | | | | | | | | | | | | | | | | |
| EN part name | Support | | | | | | | | | | | | | | | | | | | | | | | | | | | | | | |
| RU part name | поддержка | | | | | | | | | | | | | | | | | | | | | | | | | | | | | | |
| Size:mm | | | | | | | | | | | | | | | | | | | | | | | | | | | | | | | |
| Weight:kg | 2.1 | | | | | | | | | | | | | | | | | | | | | | | | | | | | | | |
| NO. | NO.86-23 | | | | | | | | | | | | | | | | | | | | | | | | | | | | | | |
| Remarks: SHACMAN F3000 F2000 4*2 6*4 STEYR 188000680024 | | Remarks: SHACMAN F3000 F2000 4*2 6*4 STEYR | | | | | | | | | | | | | | | | | | | | | | | | | | | | | |
|  | <table border="1"> <tr><td>Part No.</td><td>DZ9100680065/25</td></tr> <tr><td>CH part name</td><td>前减震器下支架连接座及叉</td></tr> <tr><td>EN part name</td><td>Down bracket joint seat and fork</td></tr> <tr><td>RU part name</td><td>Кронштейн вилки амортизатора</td></tr> <tr><td>Size:mm</td><td>270*70*45</td></tr> <tr><td>Weight:kg</td><td>2.8</td></tr> <tr><td>NO.</td><td>NO.86-23-24</td></tr> </table> | Part No. | DZ9100680065/25 | CH part name | 前减震器下支架连接座及叉 | EN part name | Down bracket joint seat and fork | RU part name | Кронштейн вилки амортизатора | Size:mm | 270*70*45 | Weight:kg | 2.8 | NO. | NO.86-23-24 |  | <table border="1"> <tr><td>Part No.</td><td>199012680025</td></tr> <tr><td>CH part name</td><td>下支架连接叉</td></tr> <tr><td>EN part name</td><td>Joint fork</td></tr> <tr><td>RU part name</td><td>совместные вилка</td></tr> <tr><td>Size:mm</td><td></td></tr> <tr><td>Weight:kg</td><td>0.7</td></tr> <tr><td>NO.</td><td>NO.86-24</td></tr> </table> | Part No. | 199012680025 | CH part name | 下支架连接叉 | EN part name | Joint fork | RU part name | совместные вилка | Size:mm | | Weight:kg | 0.7 | NO. | NO.86-24 |
| Part No. | DZ9100680065/25 | | | | | | | | | | | | | | | | | | | | | | | | | | | | | | |
| CH part name | 前减震器下支架连接座及叉 | | | | | | | | | | | | | | | | | | | | | | | | | | | | | | |
| EN part name | Down bracket joint seat and fork | | | | | | | | | | | | | | | | | | | | | | | | | | | | | | |
| RU part name | Кронштейн вилки амортизатора | | | | | | | | | | | | | | | | | | | | | | | | | | | | | | |
| Size:mm | 270*70*45 | | | | | | | | | | | | | | | | | | | | | | | | | | | | | | |
| Weight:kg | 2.8 | | | | | | | | | | | | | | | | | | | | | | | | | | | | | | |
| NO. | NO.86-23-24 | | | | | | | | | | | | | | | | | | | | | | | | | | | | | | |
| Part No. | 199012680025 | | | | | | | | | | | | | | | | | | | | | | | | | | | | | | |
| CH part name | 下支架连接叉 | | | | | | | | | | | | | | | | | | | | | | | | | | | | | | |
| EN part name | Joint fork | | | | | | | | | | | | | | | | | | | | | | | | | | | | | | |
| RU part name | совместные вилка | | | | | | | | | | | | | | | | | | | | | | | | | | | | | | |
| Size:mm | | | | | | | | | | | | | | | | | | | | | | | | | | | | | | | |
| Weight:kg | 0.7 | | | | | | | | | | | | | | | | | | | | | | | | | | | | | | |
| NO. | NO.86-24 | | | | | | | | | | | | | | | | | | | | | | | | | | | | | | |
| Remarks: SHACMAN F3000 F2000 4*2 6*4 STEYR | | Remarks: SHACMAN F3000 F2000 4*2 6*4 STEYR | | | | | | | | | | | | | | | | | | | | | | | | | | | | | |
|  | <table border="1"> <tr><td>Part No.</td><td>199114680004</td></tr> <tr><td>CH part name</td><td>前减震器</td></tr> <tr><td>EN part name</td><td>Front axle shock absorber</td></tr> <tr><td>RU part name</td><td>Амортизатор переднего моста</td></tr> <tr><td>Size:mm</td><td>520*75*75</td></tr> <tr><td>Weight:kg</td><td>4.67</td></tr> <tr><td>NO.</td><td>NO.86-29</td></tr> </table> | Part No. | 199114680004 | CH part name | 前减震器 | EN part name | Front axle shock absorber | RU part name | Амортизатор переднего моста | Size:mm | 520*75*75 | Weight:kg | 4.67 | NO. | NO.86-29 |  | <table border="1"> <tr><td>Part No.</td><td>81.43722.6054</td></tr> <tr><td>CH part name</td><td>右轴承座总成</td></tr> <tr><td>EN part name</td><td>Fixture splint</td></tr> <tr><td>RU part name</td><td>Зажимная пластина</td></tr> <tr><td>Size:mm</td><td></td></tr> <tr><td>Weight:kg</td><td>3.35</td></tr> <tr><td>NO.</td><td>NO.87-10-12</td></tr> </table> | Part No. | 81.43722.6054 | CH part name | 右轴承座总成 | EN part name | Fixture splint | RU part name | Зажимная пластина | Size:mm | | Weight:kg | 3.35 | NO. | NO.87-10-12 |
| Part No. | 199114680004 | | | | | | | | | | | | | | | | | | | | | | | | | | | | | | |
| CH part name | 前减震器 | | | | | | | | | | | | | | | | | | | | | | | | | | | | | | |
| EN part name | Front axle shock absorber | | | | | | | | | | | | | | | | | | | | | | | | | | | | | | |
| RU part name | Амортизатор переднего моста | | | | | | | | | | | | | | | | | | | | | | | | | | | | | | |
| Size:mm | 520*75*75 | | | | | | | | | | | | | | | | | | | | | | | | | | | | | | |
| Weight:kg | 4.67 | | | | | | | | | | | | | | | | | | | | | | | | | | | | | | |
| NO. | NO.86-29 | | | | | | | | | | | | | | | | | | | | | | | | | | | | | | |
| Part No. | 81.43722.6054 | | | | | | | | | | | | | | | | | | | | | | | | | | | | | | |
| CH part name | 右轴承座总成 | | | | | | | | | | | | | | | | | | | | | | | | | | | | | | |
| EN part name | Fixture splint | | | | | | | | | | | | | | | | | | | | | | | | | | | | | | |
| RU part name | Зажимная пластина | | | | | | | | | | | | | | | | | | | | | | | | | | | | | | |
| Size:mm | | | | | | | | | | | | | | | | | | | | | | | | | | | | | | | |
| Weight:kg | 3.35 | | | | | | | | | | | | | | | | | | | | | | | | | | | | | | |
| NO. | NO.87-10-12 | | | | | | | | | | | | | | | | | | | | | | | | | | | | | | |
| Remarks: SHACMAN F3000 F2000 4*2 6*4 STEYR 199100680001 | | Remarks: SHACMAN F3000 F2000 4*2 6*4 8*4 MAN9.5t SZ965000723 7.5t | | | | | | | | | | | | | | | | | | | | | | | | | | | | | |

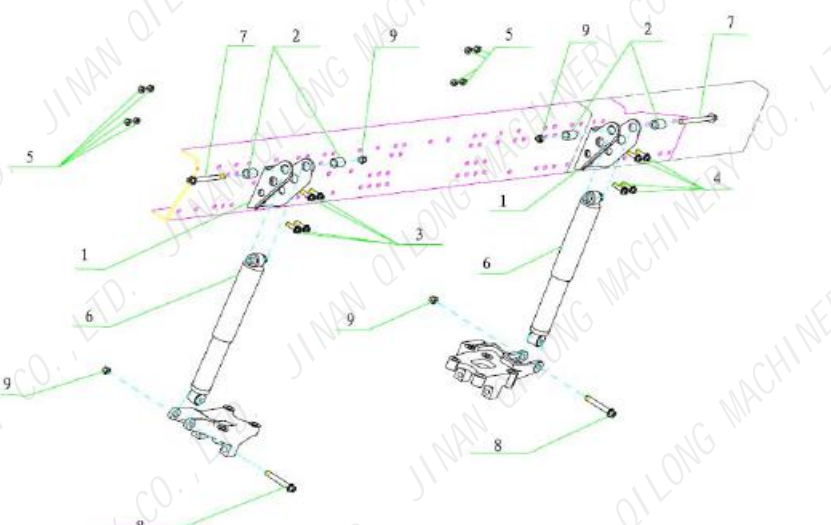
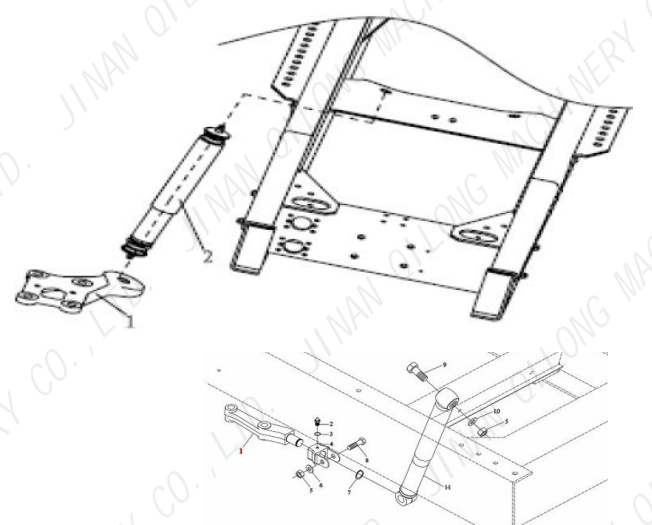




SHACMAN(1)

| FRONT TRANSVERSE STABILIZER/ 4*2 6*4 8*4 | | NO.87 | |
|--|---|--|--------------------------------|
| | KD1582 | | |
| | | | Part No. 81.43722.6055 |
| | | | CH part name 左轴承座总成 |
| | | | EN part name Fixture splint |
| | | | RU part name Зажимная пластина |
| | | | Size:mm |
| | | | Weight:kg 3.35 |
| | | | NO. NO.87-10-12 |
| | Remarks: SHACMAN F3000 F2000 4*2 6*4 8*4 MAN9.5t SZ965000720 7.5t | | |
| | KD1583 | | |
| | | Part No. 81.43715.6063 | |
| | | CH part name 前稳定杆 | |
| | | EN part name Stabilizer assy | |
| | | RU part name Стабилизатор задний поперечной устойчивости | |
| | | Size:mm | |
| | | Weight:kg 20.5 | |
| | | NO. NO.87-1 | |
| Remarks: SHACMAN F3000 F2000 4*2 6*4 8*4 MAN | | | |
| KD1584 | | | |
| | Part No. 81.43704.0074 | | |
| | CH part name 前稳定杆双缝衬套 | | |
| | EN part name Two-slit bush | | |
| | RU part name два разреза буша | | |
| | Size:mm | | |
| | Weight:kg 0.22 | | |
| | NO. NO.87-11 | | |
| Remarks: SHACMAN F3000 F2000 4*2 6*4 8*4 MAN | | | |
| KD1585 | | | |
| | Part No. 81.43740.0133 | | |
| | CH part name 前稳定杆左右支架 | | |
| | EN part name Leaf Right Shacket | | |
| | RU part name кронштейн | | |
| | Size:mm | | |
| | Weight:kg 0.35 | | |
| | NO. NO.87-16 | | |
| Remarks: SHACMAN F3000 F2000 4*2 6*4 8*4 MAN 81.43740.0134 | | | |
| KD1586 | | | |
| | Part No. DZ9114686041 | | |
| | CH part name 后横向稳定杆 | | |
| | EN part name Stabilizer rod | | |
| | RU part name стабилизирующий стержень | | |
| | Size:mm | | |
| | Weight:kg 19.9 | | |
| | NO. NO.88-12 | | |
| Remarks: SHACMAN F3000 F2000 4*2 6*4 8*4 MAN | | | |
| KD1587 | | | |
| | Part No. 81.43722.0063 | | |
| | CH part name 后稳定杆开口衬套 | | |
| | EN part name Rear stabilizer bush | | |
| | RU part name Втулка стабилизатор задняя | | |
| | Size:mm | | |
| | Weight:kg 0.25 | | |
| | NO. NO.88-2-13 | | |
| Remarks: SHACMAN F3000 F2000 4*2 6*4 8*4 MAN | | | |

SHACMAN(1)

| ENGINEERING VEHICLE REAR | | NO.88 | | | | | | | | | | | | | | | | | | | | | | | | | | | | | | | |
|---|--|--|---|---------------|---------------|--------------|--------------|----------------|-------------------|---------------------|---------------------|----------|-----------|-----------|------|------------------|----------------|---|--|----------|---------------|--------------|-------|--------------|----------------|--------------|---------------------|---------|--|-----------|-----|-----|-----------------|
|  | | KD1588 | | | | | | | | | | | | | | | | | | | | | | | | | | | | | | | |
| | |  | <table border="1"> <tr><td>Part No.</td><td>81.43718.5091</td></tr> <tr><td>CH part name</td><td>后稳定杆支架</td></tr> <tr><td>EN part name</td><td>Stablizer bracket</td></tr> <tr><td>RU part name</td><td>stablizer кронштейн</td></tr> <tr><td>Size:mm</td><td></td></tr> <tr><td>Weight:kg</td><td>1.03</td></tr> <tr><td>NO.</td><td>NO.88-5</td></tr> </table> | Part No. | 81.43718.5091 | CH part name | 后稳定杆支架 | EN part name | Stablizer bracket | RU part name | stablizer кронштейн | Size:mm | | Weight:kg | 1.03 | NO. | NO.88-5 | | | | | | | | | | | | | | | | |
| | | Part No. | 81.43718.5091 | | | | | | | | | | | | | | | | | | | | | | | | | | | | | | |
| | | CH part name | 后稳定杆支架 | | | | | | | | | | | | | | | | | | | | | | | | | | | | | | |
| EN part name | Stablizer bracket | | | | | | | | | | | | | | | | | | | | | | | | | | | | | | | | |
| RU part name | stablizer кронштейн | | | | | | | | | | | | | | | | | | | | | | | | | | | | | | | | |
| Size:mm | | | | | | | | | | | | | | | | | | | | | | | | | | | | | | | | | |
| Weight:kg | 1.03 | | | | | | | | | | | | | | | | | | | | | | | | | | | | | | | | |
| NO. | NO.88-5 | | | | | | | | | | | | | | | | | | | | | | | | | | | | | | | | |
| Remarks: SHACMAN F3000 F2000 4*2 6*4 8*4 MAN | | | | | | | | | | | | | | | | | | | | | | | | | | | | | | | | | |
| KD1589 | |  | <table border="1"> <tr><td>Part No.</td><td>81.43722.0068</td></tr> <tr><td>CH part name</td><td>后稳定杆双缝衬套</td></tr> <tr><td>EN part name</td><td>Two-slit bush</td></tr> <tr><td>RU part name</td><td>два разреза буша</td></tr> <tr><td>Size:mm</td><td></td></tr> <tr><td>Weight:kg</td><td>0.24</td></tr> <tr><td>NO.</td><td>NO.88-9</td></tr> </table> | Part No. | 81.43722.0068 | CH part name | 后稳定杆双缝衬套 | EN part name | Two-slit bush | RU part name | два разреза буша | Size:mm | | Weight:kg | 0.24 | NO. | NO.88-9 | | | | | | | | | | | | | | | | |
| Part No. | 81.43722.0068 | | | | | | | | | | | | | | | | | | | | | | | | | | | | | | | | |
| CH part name | 后稳定杆双缝衬套 | | | | | | | | | | | | | | | | | | | | | | | | | | | | | | | | |
| EN part name | Two-slit bush | | | | | | | | | | | | | | | | | | | | | | | | | | | | | | | | |
| RU part name | два разреза буша | | | | | | | | | | | | | | | | | | | | | | | | | | | | | | | | |
| Size:mm | | | | | | | | | | | | | | | | | | | | | | | | | | | | | | | | | |
| Weight:kg | 0.24 | | | | | | | | | | | | | | | | | | | | | | | | | | | | | | | | |
| NO. | NO.88-9 | | | | | | | | | | | | | | | | | | | | | | | | | | | | | | | | |
| Remarks: SHACMAN F3000 F2000 4*2 6*4 8*4 MAN | | | | | | | | | | | | | | | | | | | | | | | | | | | | | | | | | |
| KD1590 |  | <table border="1"> <tr><td>Part No.</td><td>81.43704.0061</td></tr> <tr><td>CH part name</td><td>后稳定杆衬套</td></tr> <tr><td>EN part name</td><td>Two-slit bush</td></tr> <tr><td>RU part name</td><td>два разреза буша</td></tr> <tr><td>Size:mm</td><td>70*60*60</td></tr> <tr><td>Weight:kg</td><td>0.23</td></tr> <tr><td>NO.</td><td>NO.88-9</td></tr> </table> | Part No. | 81.43704.0061 | CH part name | 后稳定杆衬套 | EN part name | Two-slit bush | RU part name | два разреза буша | Size:mm | 70*60*60 | Weight:kg | 0.23 | NO. | NO.88-9 | KD1591 |  | <table border="1"> <tr><td>Part No.</td><td>81.43701.6926</td></tr> <tr><td>CH part name</td><td>后桥减震器</td></tr> <tr><td>EN part name</td><td>Shocker (rear)</td></tr> <tr><td>RU part name</td><td>амортизатор (после)</td></tr> <tr><td>Size:mm</td><td></td></tr> <tr><td>Weight:kg</td><td>4.4</td></tr> <tr><td>NO.</td><td>NO.89-6</td></tr> </table> | Part No. | 81.43701.6926 | CH part name | 后桥减震器 | EN part name | Shocker (rear) | RU part name | амортизатор (после) | Size:mm | | Weight:kg | 4.4 | NO. | NO.89-6 |
| Part No. | 81.43704.0061 | | | | | | | | | | | | | | | | | | | | | | | | | | | | | | | | |
| CH part name | 后稳定杆衬套 | | | | | | | | | | | | | | | | | | | | | | | | | | | | | | | | |
| EN part name | Two-slit bush | | | | | | | | | | | | | | | | | | | | | | | | | | | | | | | | |
| RU part name | два разреза буша | | | | | | | | | | | | | | | | | | | | | | | | | | | | | | | | |
| Size:mm | 70*60*60 | | | | | | | | | | | | | | | | | | | | | | | | | | | | | | | | |
| Weight:kg | 0.23 | | | | | | | | | | | | | | | | | | | | | | | | | | | | | | | | |
| NO. | NO.88-9 | | | | | | | | | | | | | | | | | | | | | | | | | | | | | | | | |
| Part No. | 81.43701.6926 | | | | | | | | | | | | | | | | | | | | | | | | | | | | | | | | |
| CH part name | 后桥减震器 | | | | | | | | | | | | | | | | | | | | | | | | | | | | | | | | |
| EN part name | Shocker (rear) | | | | | | | | | | | | | | | | | | | | | | | | | | | | | | | | |
| RU part name | амортизатор (после) | | | | | | | | | | | | | | | | | | | | | | | | | | | | | | | | |
| Size:mm | | | | | | | | | | | | | | | | | | | | | | | | | | | | | | | | | |
| Weight:kg | 4.4 | | | | | | | | | | | | | | | | | | | | | | | | | | | | | | | | |
| NO. | NO.89-6 | | | | | | | | | | | | | | | | | | | | | | | | | | | | | | | | |
| Remarks: SHACMAN F3000 F2000 4*2 6*4 8*4 MAN 81.43722.0040 | | Remarks: SHACMAN F3000 F2000 4*2 6*4 MAN | | | | | | | | | | | | | | | | | | | | | | | | | | | | | | | |
| KD1592 |  | <table border="1"> <tr><td>Part No.</td><td>199100680046</td></tr> <tr><td>CH part name</td><td>后桥减震器</td></tr> <tr><td>EN part name</td><td>Shocker (rear)</td></tr> <tr><td>RU part name</td><td>амортизатор (после)</td></tr> <tr><td>Size:mm</td><td></td></tr> <tr><td>Weight:kg</td><td>4.2</td></tr> <tr><td>NO.</td><td>NO.A89-11</td></tr> </table> | Part No. | 199100680046 | CH part name | 后桥减震器 | EN part name | Shocker (rear) | RU part name | амортизатор (после) | Size:mm | | Weight:kg | 4.2 | NO. | NO.A89-11 | KD1593 |  | <table border="1"> <tr><td>Part No.</td><td>81.43701.6837</td></tr> <tr><td>CH part name</td><td>后减震器</td></tr> <tr><td>EN part name</td><td>Shocker (rear)</td></tr> <tr><td>RU part name</td><td>амортизатор (после)</td></tr> <tr><td>Size:mm</td><td></td></tr> <tr><td>Weight:kg</td><td>4.2</td></tr> <tr><td>NO.</td><td>NO.A89-2</td></tr> </table> | Part No. | 81.43701.6837 | CH part name | 后减震器 | EN part name | Shocker (rear) | RU part name | амортизатор (после) | Size:mm | | Weight:kg | 4.2 | NO. | NO.A89-2 |
| Part No. | 199100680046 | | | | | | | | | | | | | | | | | | | | | | | | | | | | | | | | |
| CH part name | 后桥减震器 | | | | | | | | | | | | | | | | | | | | | | | | | | | | | | | | |
| EN part name | Shocker (rear) | | | | | | | | | | | | | | | | | | | | | | | | | | | | | | | | |
| RU part name | амортизатор (после) | | | | | | | | | | | | | | | | | | | | | | | | | | | | | | | | |
| Size:mm | | | | | | | | | | | | | | | | | | | | | | | | | | | | | | | | | |
| Weight:kg | 4.2 | | | | | | | | | | | | | | | | | | | | | | | | | | | | | | | | |
| NO. | NO.A89-11 | | | | | | | | | | | | | | | | | | | | | | | | | | | | | | | | |
| Part No. | 81.43701.6837 | | | | | | | | | | | | | | | | | | | | | | | | | | | | | | | | |
| CH part name | 后减震器 | | | | | | | | | | | | | | | | | | | | | | | | | | | | | | | | |
| EN part name | Shocker (rear) | | | | | | | | | | | | | | | | | | | | | | | | | | | | | | | | |
| RU part name | амортизатор (после) | | | | | | | | | | | | | | | | | | | | | | | | | | | | | | | | |
| Size:mm | | | | | | | | | | | | | | | | | | | | | | | | | | | | | | | | | |
| Weight:kg | 4.2 | | | | | | | | | | | | | | | | | | | | | | | | | | | | | | | | |
| NO. | NO.A89-2 | | | | | | | | | | | | | | | | | | | | | | | | | | | | | | | | |
| Remarks: SHACMAN F3000 F2000 4*2 STEYR | | Remarks: SHACMAN F3000 F2000 4*2 MAN | | | | | | | | | | | | | | | | | | | | | | | | | | | | | | | |

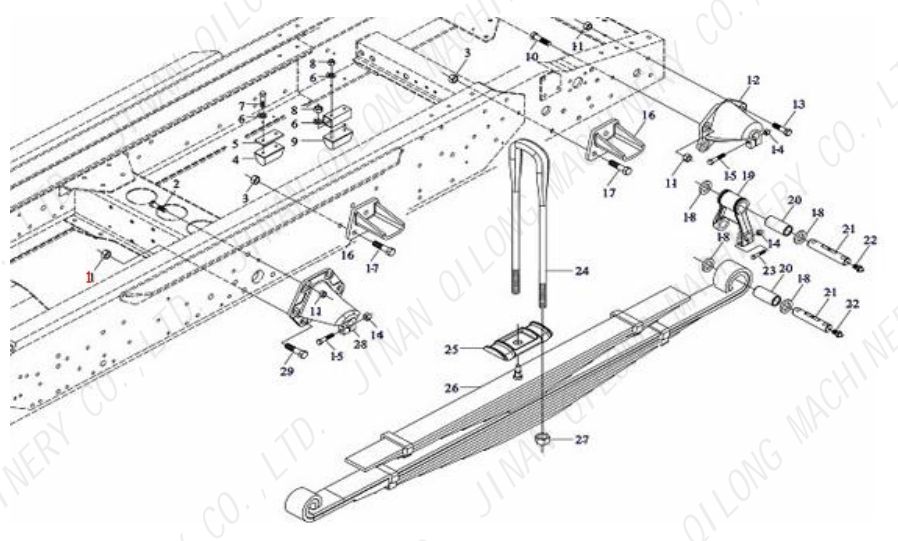
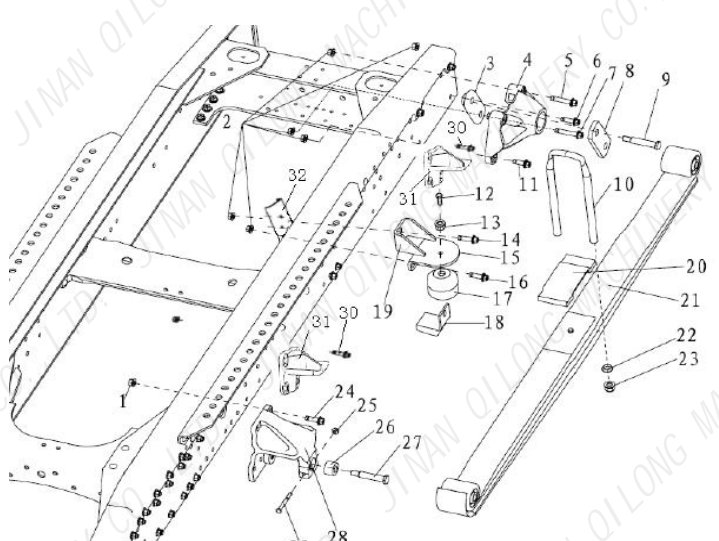




SHACMAN(1)

| REAR SHOCK ABSORBER/6*4 4*2 | | NO.89 | | REAR SHOCK ABSORBER/6*4 4*2 | | NO.A89 | |
|---|--------------|--|--|---|--------------|----------------------------------|--|
|  | | | |  | | | |
| KD1594 | | | | KD1595 | | | |
|  | Part No. | 199114680014/25 | |  | Part No. | 81.43705.0179 | |
| | CH part name | 后减震器支架总成 | | | CH part name | 稳定杆和减震器支架 | |
| | EN part name | Down bracket joint seat and fork | | | EN part name | Down bracket joint seat and fork | |
| | RU part name | Кронштейн вилки амортизатора | | | RU part name | Кронштейн вилки амортизатора | |
| | Size:mm | | | | Size:mm | | |
| | Weight:kg | 2.95 | | | Weight:kg | 2.4 | |
| | NO. | NO.A89-1-4 | | | NO. | NO.A89-1 | |
| Remarks: SHACMAN F3000 F2000 4*2 STEYR 199012680025 | | | | Remarks: SHACMAN F3000 F2000 4*2 MAN | | | |
| KD1596 | | | | KD1597 | | | |
|  | Part No. | 199100680048 | |  | Part No. | 178000680032 | |
| | CH part name | 前稳定杆 | | | CH part name | 后稳定杆轴承夹 | |
| | EN part name | Stabilizer assy | | | EN part name | Clip | |
| | RU part name | Стабилизатор задний поперечной устойчиво | | | RU part name | клип | |
| | Size:mm | | | | Size:mm | | |
| | Weight:kg | 20.5 | | | Weight:kg | 0.23 | |
| | NO. | NO.90-4 | | | NO. | NO.90-2 | |
| Remarks: SHACMAN F3000 F2000 4*2 6*2 STEYR | | | | Remarks: SHACMAN F3000 F2000 4*2 6*2 STEYR | | | |

SHACMAN(1)

| TRANSVERSE STABLIZER 4*2 6*2 | | NO.90 | |
|---|---|----------------------------|-------------------------------|
|  | KD1598 | | |
| |  | Part No. | 199100680067 |
| | | CH part name | 后稳定杆橡胶轴承 |
| | | EN part name | Rubber bearing |
| | | RU part name | Втулка стабилизатора передняя |
| | | Size:mm | 90*77.5*74 |
| | | Weight:kg | 0.28 |
| | NO. | NO.90-3 | |
| | Remarks: SHACMAN F3000 F2000 4*2 6*2 STEYR | | |
| | KD1599 | | |
|  | Part No. | 199100680037 | |
| | CH part name | 后稳定杆套筒 | |
| | EN part name | Rear stabilizer bush | |
| | RU part name | Втулка стабилизатор задняя | |
| | Size:mm | 60*35*20 | |
| | Weight:kg | 0.34 | |
| NO. | NO.90-9 | | |
| Remarks: SHACMAN F3000 F2000 4*2 6*2 STEYR | | | |
| KD1600 | | | |
|  | Part No. | 178000680035 | |
| | CH part name | 后稳定杆衬套 | |
| | EN part name | Rear stabilizer bush | |
| | RU part name | Втулка стабилизатор задняя | |
| | Size:mm | 70*40*40 | |
| | Weight:kg | 0.15 | |
| | NO. | NO.90-14 | |
| Remarks: SHACMAN F3000 F2000 4*2 6*2 STEYR | | | |
| KD1601 | | | |
|  | Part No. | 199100680066 | |
| | CH part name | 后稳定杆橡胶轴承 | |
| | EN part name | Rubber bearing | |
| | RU part name | Подшипник стабилизатора | |
| | Size:mm | 61*27*27 | |
| | Weight:kg | 0.03 | |
| | NO. | NO.90-8 | |
| Remarks: SHACMAN F3000 F2000 4*2 6*2 STEYR | | | |
| KD1602 | | | |
|  | Part No. | 199100520012 | |
| | CH part name | 后板簧前支架 | |
| | EN part name | Front Braket | |
| | RU part name | фронт braket | |
| | Size:mm | | |
| | Weight:kg | 8.6 | |
| | NO. | NO.91-28 | |
| Remarks: SHACMAN F3000 F2000 4*2 STEYR | | | |
| KD1603 | | | |
|  | Part No. | 81.41307.0043 | |
| | CH part name | 后板簧前支架 | |
| | EN part name | Front Braket | |
| | RU part name | фронт braket | |
| | Size:mm | | |
| | Weight:kg | 8.6 | |
| | NO. | NO.91-28 | |
| Remarks: SHACMAN F3000 F2000 4*2 MAN | | | |

SHACMAN(1)

| REAR SUSPENSION 4×2 | | | NO.91 | | | REAR SUSPENSION 4×2 | | | NO.A91 | | | | | | | | |
|--|--|--|---|--|--|--|--|--|--|--|--|---|--|--|---|--|--|
|  | | |  | | |  | | |  | | |  | | |  | | |
| KD1604 | | | KD1605 | | | KD1606 | | | KD1607 | | | | | | | | |
| Part No. | | | 199100520013 | | | Part No. | | | 81.41307.6016 | | | | | | | | |
| CH part name | | | 后簧后支架 | | | CH part name | | | 后板簧后支架总成 | | | | | | | | |
| EN part name | | | Front Braket | | | EN part name | | | Rear Bracket Assembly | | | | | | | | |
| RU part name | | | фронт braket | | | RU part name | | | сзади от ассамблеи | | | | | | | | |
| Size:mm | | | | | | Size:mm | | | | | | | | | | | |
| Weight:kg | | | 8.6 | | | Weight:kg | | | 8.5 | | | | | | | | |
| NO. | | | NO.91-12 | | | NO. | | | NO.A91-4 | | | | | | | | |
| Remarks: SHACMAN F3000 F2000 4*2 STEYR | | | | | | Remarks: SHACMAN F3000 F2000 4*2 MAN DZ95189520404 | | | | | | | | | | | |
| Part No. | | | 199112520081 | | | Part No. | | | SZ952000900 | | | | | | | | |
| CH part name | | | 限位支架总成 | | | CH part name | | | 后簧后支架 | | | | | | | | |
| EN part name | | | Bracket | | | EN part name | | | Rear Bracket Assembly | | | | | | | | |
| RU part name | | | кронштейн | | | RU part name | | | сзади от ассамблеи | | | | | | | | |
| Size:mm | | | | | | Size:mm | | | | | | | | | | | |
| Weight:kg | | | 0.35 | | | Weight:kg | | | 8.2 | | | | | | | | |
| NO. | | | NO.91-16 | | | NO. | | | NO.A91-4 | | | | | | | | |
| Remarks: SHACMAN F3000 F2000 4*2 STEYR | | | | | | Remarks: SHACMAN F3000 F2000 4*2 MAN | | | | | | | | | | | |

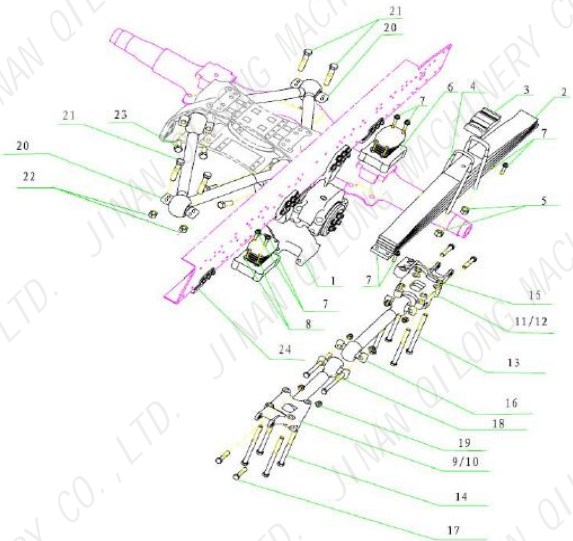






SHACMAN(1)

| | | | | | | | | | | | | | | | | | | | | | | | | | | | | | | | |
|---|--|--|---------------|--------------|-------|--------------|----------------------|--------------|-------------------------|---------|------------|-----------|------|-----|-----------------|---|---|----------|---------------|--------------|--------|--------------|-------------------------------|--------------|-------------------------|---------|--|-----------|------|-----|------------------|
|  | <table border="1"> <tr><td>Part No.</td><td>199100520018</td></tr> <tr><td>CH part name</td><td>前簧吊耳</td></tr> <tr><td>EN part name</td><td>Front spring shackle</td></tr> <tr><td>RU part name</td><td>Серьга передней рессоры</td></tr> <tr><td>Size:mm</td><td>154*175*62</td></tr> <tr><td>Weight:kg</td><td>3.31</td></tr> <tr><td>NO.</td><td>NO.91-19</td></tr> </table> | Part No. | 199100520018 | CH part name | 前簧吊耳 | EN part name | Front spring shackle | RU part name | Серьга передней рессоры | Size:mm | 154*175*62 | Weight:kg | 3.31 | NO. | NO.91-19 |  | <table border="1"> <tr><td>Part No.</td><td>DZ9112526056</td></tr> <tr><td>CH part name</td><td>骑马螺栓</td></tr> <tr><td>EN part name</td><td>Saddle Clamp Bolt</td></tr> <tr><td>RU part name</td><td>седло зажим вольт</td></tr> <tr><td>Size:mm</td><td></td></tr> <tr><td>Weight:kg</td><td>1.56</td></tr> <tr><td>NO.</td><td>NO.A91-10</td></tr> </table> | Part No. | DZ9112526056 | CH part name | 骑马螺栓 | EN part name | Saddle Clamp Bolt | RU part name | седло зажим вольт | Size:mm | | Weight:kg | 1.56 | NO. | NO.A91-10 |
| Part No. | 199100520018 | | | | | | | | | | | | | | | | | | | | | | | | | | | | | | |
| CH part name | 前簧吊耳 | | | | | | | | | | | | | | | | | | | | | | | | | | | | | | |
| EN part name | Front spring shackle | | | | | | | | | | | | | | | | | | | | | | | | | | | | | | |
| RU part name | Серьга передней рессоры | | | | | | | | | | | | | | | | | | | | | | | | | | | | | | |
| Size:mm | 154*175*62 | | | | | | | | | | | | | | | | | | | | | | | | | | | | | | |
| Weight:kg | 3.31 | | | | | | | | | | | | | | | | | | | | | | | | | | | | | | |
| NO. | NO.91-19 | | | | | | | | | | | | | | | | | | | | | | | | | | | | | | |
| Part No. | DZ9112526056 | | | | | | | | | | | | | | | | | | | | | | | | | | | | | | |
| CH part name | 骑马螺栓 | | | | | | | | | | | | | | | | | | | | | | | | | | | | | | |
| EN part name | Saddle Clamp Bolt | | | | | | | | | | | | | | | | | | | | | | | | | | | | | | |
| RU part name | седло зажим вольт | | | | | | | | | | | | | | | | | | | | | | | | | | | | | | |
| Size:mm | | | | | | | | | | | | | | | | | | | | | | | | | | | | | | | |
| Weight:kg | 1.56 | | | | | | | | | | | | | | | | | | | | | | | | | | | | | | |
| NO. | NO.A91-10 | | | | | | | | | | | | | | | | | | | | | | | | | | | | | | |
| Remarks: SHACMAN F3000 F2000 4*2 STEYR | | Remarks: SHACMAN F3000 F2000 4*2 MAN 81.41312.0103 | | | | | | | | | | | | | | | | | | | | | | | | | | | | | |
|  | <table border="1"> <tr><td>Part No.</td><td>199100520037</td></tr> <tr><td>CH part name</td><td>骑马螺栓</td></tr> <tr><td>EN part name</td><td>Saddle Clamp Bolt</td></tr> <tr><td>RU part name</td><td>седло зажим вольт</td></tr> <tr><td>Size:mm</td><td></td></tr> <tr><td>Weight:kg</td><td>1.56</td></tr> <tr><td>NO.</td><td>NO.91-24</td></tr> </table> | Part No. | 199100520037 | CH part name | 骑马螺栓 | EN part name | Saddle Clamp Bolt | RU part name | седло зажим вольт | Size:mm | | Weight:kg | 1.56 | NO. | NO.91-24 |  | <table border="1"> <tr><td>Part No.</td><td>DZ95189525094</td></tr> <tr><td>CH part name</td><td>副簧限位支架</td></tr> <tr><td>EN part name</td><td>Sub-leaf spring limit bracket</td></tr> <tr><td>RU part name</td><td>к югу от рессора предел</td></tr> <tr><td>Size:mm</td><td></td></tr> <tr><td>Weight:kg</td><td>0.38</td></tr> <tr><td>NO.</td><td>NO.A91-31</td></tr> </table> | Part No. | DZ95189525094 | CH part name | 副簧限位支架 | EN part name | Sub-leaf spring limit bracket | RU part name | к югу от рессора предел | Size:mm | | Weight:kg | 0.38 | NO. | NO.A91-31 |
| Part No. | 199100520037 | | | | | | | | | | | | | | | | | | | | | | | | | | | | | | |
| CH part name | 骑马螺栓 | | | | | | | | | | | | | | | | | | | | | | | | | | | | | | |
| EN part name | Saddle Clamp Bolt | | | | | | | | | | | | | | | | | | | | | | | | | | | | | | |
| RU part name | седло зажим вольт | | | | | | | | | | | | | | | | | | | | | | | | | | | | | | |
| Size:mm | | | | | | | | | | | | | | | | | | | | | | | | | | | | | | | |
| Weight:kg | 1.56 | | | | | | | | | | | | | | | | | | | | | | | | | | | | | | |
| NO. | NO.91-24 | | | | | | | | | | | | | | | | | | | | | | | | | | | | | | |
| Part No. | DZ95189525094 | | | | | | | | | | | | | | | | | | | | | | | | | | | | | | |
| CH part name | 副簧限位支架 | | | | | | | | | | | | | | | | | | | | | | | | | | | | | | |
| EN part name | Sub-leaf spring limit bracket | | | | | | | | | | | | | | | | | | | | | | | | | | | | | | |
| RU part name | к югу от рессора предел | | | | | | | | | | | | | | | | | | | | | | | | | | | | | | |
| Size:mm | | | | | | | | | | | | | | | | | | | | | | | | | | | | | | | |
| Weight:kg | 0.38 | | | | | | | | | | | | | | | | | | | | | | | | | | | | | | |
| NO. | NO.A91-31 | | | | | | | | | | | | | | | | | | | | | | | | | | | | | | |
| Remarks: SHACMAN F3000 F2000 4*2 STEYR | | Remarks: SHACMAN F3000 F2000 4*2 MAN | | | | | | | | | | | | | | | | | | | | | | | | | | | | | |
|  | <table border="1"> <tr><td>Part No.</td><td>199100520006</td></tr> <tr><td>CH part name</td><td>后钢板销</td></tr> <tr><td>EN part name</td><td>Rear plate pin</td></tr> <tr><td>RU part name</td><td>задняя плита</td></tr> <tr><td>Size:mm</td><td>165*30*30</td></tr> <tr><td>Weight:kg</td><td>0.85</td></tr> <tr><td>NO.</td><td>NO.91-21</td></tr> </table> | Part No. | 199100520006 | CH part name | 后钢板销 | EN part name | Rear plate pin | RU part name | задняя плита | Size:mm | 165*30*30 | Weight:kg | 0.85 | NO. | NO.91-21 |  | <table border="1"> <tr><td>Part No.</td><td>199000520079</td></tr> <tr><td>CH part name</td><td>后钢板销衬套</td></tr> <tr><td>EN part name</td><td>Bush</td></tr> <tr><td>RU part name</td><td>буш</td></tr> <tr><td>Size:mm</td><td></td></tr> <tr><td>Weight:kg</td><td>0.23</td></tr> <tr><td>NO.</td><td>NO.91-20</td></tr> </table> | Part No. | 199000520079 | CH part name | 后钢板销衬套 | EN part name | Bush | RU part name | буш | Size:mm | | Weight:kg | 0.23 | NO. | NO.91-20 |
| Part No. | 199100520006 | | | | | | | | | | | | | | | | | | | | | | | | | | | | | | |
| CH part name | 后钢板销 | | | | | | | | | | | | | | | | | | | | | | | | | | | | | | |
| EN part name | Rear plate pin | | | | | | | | | | | | | | | | | | | | | | | | | | | | | | |
| RU part name | задняя плита | | | | | | | | | | | | | | | | | | | | | | | | | | | | | | |
| Size:mm | 165*30*30 | | | | | | | | | | | | | | | | | | | | | | | | | | | | | | |
| Weight:kg | 0.85 | | | | | | | | | | | | | | | | | | | | | | | | | | | | | | |
| NO. | NO.91-21 | | | | | | | | | | | | | | | | | | | | | | | | | | | | | | |
| Part No. | 199000520079 | | | | | | | | | | | | | | | | | | | | | | | | | | | | | | |
| CH part name | 后钢板销衬套 | | | | | | | | | | | | | | | | | | | | | | | | | | | | | | |
| EN part name | Bush | | | | | | | | | | | | | | | | | | | | | | | | | | | | | | |
| RU part name | буш | | | | | | | | | | | | | | | | | | | | | | | | | | | | | | |
| Size:mm | | | | | | | | | | | | | | | | | | | | | | | | | | | | | | | |
| Weight:kg | 0.23 | | | | | | | | | | | | | | | | | | | | | | | | | | | | | | |
| NO. | NO.91-20 | | | | | | | | | | | | | | | | | | | | | | | | | | | | | | |
| Remarks: SHACMAN F3000 F2000 4*2 STEYR | | Remarks: SHACMAN F3000 F2000 4*2 6*4 199000520078 | | | | | | | | | | | | | | | | | | | | | | | | | | | | | |
|  | <table border="1"> <tr><td>Part No.</td><td>06.46115.0455</td></tr> <tr><td>CH part name</td><td>后骑马螺栓</td></tr> <tr><td>EN part name</td><td>Saddle Clamp Bolt</td></tr> <tr><td>RU part name</td><td>седло зажим вольт</td></tr> <tr><td>Size:mm</td><td></td></tr> <tr><td>Weight:kg</td><td>1.45</td></tr> <tr><td>NO.</td><td>NO.92-4</td></tr> </table> | Part No. | 06.46115.0455 | CH part name | 后骑马螺栓 | EN part name | Saddle Clamp Bolt | RU part name | седло зажим вольт | Size:mm | | Weight:kg | 1.45 | NO. | NO.92-4 |  | <table border="1"> <tr><td>Part No.</td><td>81.41350.6015</td></tr> <tr><td>CH part name</td><td>断开式平衡轴</td></tr> <tr><td>EN part name</td><td>Balance shaft assy.</td></tr> <tr><td>RU part name</td><td>Балансирная ось в сборе</td></tr> <tr><td>Size:mm</td><td></td></tr> <tr><td>Weight:kg</td><td>189</td></tr> <tr><td>NO.</td><td>NO.92-1</td></tr> </table> | Part No. | 81.41350.6015 | CH part name | 断开式平衡轴 | EN part name | Balance shaft assy. | RU part name | Балансирная ось в сборе | Size:mm | | Weight:kg | 189 | NO. | NO.92-1 |
| Part No. | 06.46115.0455 | | | | | | | | | | | | | | | | | | | | | | | | | | | | | | |
| CH part name | 后骑马螺栓 | | | | | | | | | | | | | | | | | | | | | | | | | | | | | | |
| EN part name | Saddle Clamp Bolt | | | | | | | | | | | | | | | | | | | | | | | | | | | | | | |
| RU part name | седло зажим вольт | | | | | | | | | | | | | | | | | | | | | | | | | | | | | | |
| Size:mm | | | | | | | | | | | | | | | | | | | | | | | | | | | | | | | |
| Weight:kg | 1.45 | | | | | | | | | | | | | | | | | | | | | | | | | | | | | | |
| NO. | NO.92-4 | | | | | | | | | | | | | | | | | | | | | | | | | | | | | | |
| Part No. | 81.41350.6015 | | | | | | | | | | | | | | | | | | | | | | | | | | | | | | |
| CH part name | 断开式平衡轴 | | | | | | | | | | | | | | | | | | | | | | | | | | | | | | |
| EN part name | Balance shaft assy. | | | | | | | | | | | | | | | | | | | | | | | | | | | | | | |
| RU part name | Балансирная ось в сборе | | | | | | | | | | | | | | | | | | | | | | | | | | | | | | |
| Size:mm | | | | | | | | | | | | | | | | | | | | | | | | | | | | | | | |
| Weight:kg | 189 | | | | | | | | | | | | | | | | | | | | | | | | | | | | | | |
| NO. | NO.92-1 | | | | | | | | | | | | | | | | | | | | | | | | | | | | | | |
| Remarks: SHACMAN F3000 F2000 6*4 8*4 DZ9114526086 | | Remarks: SHACMAN F3000 F2000 6*4 8*4 DZ9114526314 | | | | | | | | | | | | | | | | | | | | | | | | | | | | | |

SHACMAN(1)

| | | | |
|---|--|---|--|
|  | <p>Part No. 81.43242.0039</p> <p>CH part name 支撑板</p> <p>EN part name Seat</p> <p>RU part name место</p> <p>Size:mm</p> <p>Weight:kg 1.8</p> <p>NO. NO.92-11</p> |  | <p>Part No. 81.41335.0120</p> <p>CH part name 后钢弹簧压板</p> <p>EN part name Bolt seat</p> <p>RU part name Башмак крепления рессоры передней</p> <p>Size:mm 130*90*32</p> <p>Weight:kg 2.08</p> <p>NO. NO.92-3</p> |
| <p>Remarks: SHACMAN F3000 F2000 6*4 8*4 81.43242.0040、42、43</p> | | <p>Remarks: SHACMAN F3000 F2000 6*4 8*4 DZ9114526083</p> | |
|  | <p>Part No. DZ95259526315</p> <p>CH part name 后弹簧座</p> <p>EN part name Rubber Spring</p> <p>RU part name резиновые весной</p> <p>Size:mm</p> <p>Weight:kg 13.7</p> <p>NO. NO.92-6</p> |  | <p>Part No. DZ95259526425</p> <p>CH part name 压缩弹簧座</p> <p>EN part name Rubber Spring</p> <p>RU part name резиновые весной</p> <p>Size:mm</p> <p>Weight:kg 13.7</p> <p>NO. NO.92-6</p> |
| <p>Remarks: SHACMAN F3000 F2000 6*4 8*4</p> | | <p>Remarks: SHACMAN F3000 F2000 6*4 牵引车 后车架762mm</p> | |
|  | <p>Part No. 81.43220.6196</p> <p>CH part name 下推力杆MAN</p> <p>EN part name Down push rod assy.</p> <p>RU part name Ниж.реакт.тяга в сборе</p> <p>Size:mm 740*198*110</p> <p>Weight:kg 16.45</p> <p>NO. NO.92-16</p> |  | <p>Part No. DZ95259525140</p> <p>CH part name V 型推力杆</p> <p>EN part name V Brace rod</p> <p>RU part name Тяга V-образ. старого образца</p> <p>Size:mm</p> <p>Weight:kg 17.15</p> <p>NO. NO.92-20</p> |
| <p>Remarks: SHACMAN F3000 F2000 6*4 8*4</p> | | <p>Remarks: SHACMAN F3000 F2000 6*4 8*4 牵引车 后车架762mm</p> | |
|  | <p>Part No. DZ95259525150</p> <p>CH part name V 型推力杆</p> <p>EN part name V Brace rod</p> <p>RU part name Тяга V-образ. старого образца</p> <p>Size:mm</p> <p>Weight:kg 17.15</p> <p>NO. NO.92-20</p> |  | <p>Part No. 81.41401.6011</p> <p>CH part name 后桥限位块</p> <p>EN part name Rear spring washer</p> <p>RU part name Отбойник рессоры заднего моста</p> <p>Size:mm</p> <p>Weight:kg 0.32</p> <p>NO. NO.92-24</p> |
| <p>Remarks: SHACMAN F3000 F2000 6*4 8*4 后车架850mm</p> | | <p>Remarks: SHACMAN F3000 F2000 6*4 8*4 MAN</p> | |

SHACMAN(1)

| ENGINEERING VEHICLE REAR /6*4 8*4 | | NO.92 | | | | | | | | | | | | | | | |
|---|--|---|---|---------------|---------------|--------------|--------------|--------------|--------------|--------------|----------------|-----------|-----------|-----------|-----------------|-----------------|-----------------|
|  | KD1624 | | | | | | | | | | | | | | | | |
| |  | | <table border="1"> <tr><td>Part No.</td><td>Q151C20240TF2</td></tr> <tr><td>CH part name</td><td>支撐板固定螺栓</td></tr> <tr><td>EN part name</td><td>Hex Bolt</td></tr> <tr><td>RU part name</td><td>хекс вольт</td></tr> <tr><td>Size:mm</td><td></td></tr> <tr><td>Weight:kg</td><td>0.21</td></tr> <tr><td>NO.</td><td>NO.92-13</td></tr> </table> | Part No. | Q151C20240TF2 | CH part name | 支撐板固定螺栓 | EN part name | Hex Bolt | RU part name | хекс вольт | Size:mm | | Weight:kg | 0.21 | NO. | NO.92-13 |
| | Part No. | Q151C20240TF2 | | | | | | | | | | | | | | | |
| | CH part name | 支撐板固定螺栓 | | | | | | | | | | | | | | | |
| | EN part name | Hex Bolt | | | | | | | | | | | | | | | |
| | RU part name | хекс вольт | | | | | | | | | | | | | | | |
| | Size:mm | | | | | | | | | | | | | | | | |
| | Weight:kg | 0.21 | | | | | | | | | | | | | | | |
| | NO. | NO.92-13 | | | | | | | | | | | | | | | |
| | Remarks: SHACMAN F3000 F2000 6*4 8*4 MAN | | | | | | | | | | | | | | | | |
| KD1625 | | | | | | | | | | | | | | | | | |
|  | | <table border="1"> <tr><td>Part No.</td><td>Q151C20260TF2</td></tr> <tr><td>CH part name</td><td>支撐板固定螺栓</td></tr> <tr><td>EN part name</td><td>Hex Bolt</td></tr> <tr><td>RU part name</td><td>хекс вольт</td></tr> <tr><td>Size:mm</td><td></td></tr> <tr><td>Weight:kg</td><td>0.23</td></tr> <tr><td>NO.</td><td>NO.92-14</td></tr> </table> | Part No. | Q151C20260TF2 | CH part name | 支撐板固定螺栓 | EN part name | Hex Bolt | RU part name | хекс вольт | Size:mm | | Weight:kg | 0.23 | NO. | NO.92-14 | |
| Part No. | Q151C20260TF2 | | | | | | | | | | | | | | | | |
| CH part name | 支撐板固定螺栓 | | | | | | | | | | | | | | | | |
| EN part name | Hex Bolt | | | | | | | | | | | | | | | | |
| RU part name | хекс вольт | | | | | | | | | | | | | | | | |
| Size:mm | | | | | | | | | | | | | | | | | |
| Weight:kg | 0.23 | | | | | | | | | | | | | | | | |
| NO. | NO.92-14 | | | | | | | | | | | | | | | | |
| Remarks: SHACMAN F3000 F2000 6*4 8*4 MAN | | | | | | | | | | | | | | | | | |
| KD1626 | | | | | | | | | | | | | | | | | |
|  | <table border="1"> <tr><td>Part No.</td><td>06.01494.4718</td></tr> <tr><td>CH part name</td><td>下推力杆螺栓</td></tr> <tr><td>EN part name</td><td>Hex Bolt</td></tr> <tr><td>RU part name</td><td>хекс вольт</td></tr> <tr><td>Size:mm</td><td>M18*2*95-10.9</td></tr> <tr><td>Weight:kg</td><td>0.21</td></tr> <tr><td>NO.</td><td>NO.92-14</td></tr> </table> | Part No. | 06.01494.4718 | CH part name | 下推力杆螺栓 | EN part name | Hex Bolt | RU part name | хекс вольт | Size:mm | M18*2*95-10.9 | Weight:kg | 0.21 | NO. | NO.92-14 | | |
| Part No. | 06.01494.4718 | | | | | | | | | | | | | | | | |
| CH part name | 下推力杆螺栓 | | | | | | | | | | | | | | | | |
| EN part name | Hex Bolt | | | | | | | | | | | | | | | | |
| RU part name | хекс вольт | | | | | | | | | | | | | | | | |
| Size:mm | M18*2*95-10.9 | | | | | | | | | | | | | | | | |
| Weight:kg | 0.21 | | | | | | | | | | | | | | | | |
| NO. | NO.92-14 | | | | | | | | | | | | | | | | |
| Remarks: SHACMAN F3000 F2000 6*4 8*4 MAN | | | | | | | | | | | | | | | | | |
| KD1627 | | | | | | | | | | | | | | | | | |
|  | <table border="1"> <tr><td>Part No.</td><td>06.01494.4734</td></tr> <tr><td>CH part name</td><td>下推力杆螺栓</td></tr> <tr><td>EN part name</td><td>Hex Bolt</td></tr> <tr><td>RU part name</td><td>хекс вольт</td></tr> <tr><td>Size:mm</td><td>M18*2*250-10.9</td></tr> <tr><td>Weight:kg</td><td>0.27</td></tr> <tr><td>NO.</td><td>NO.92-18</td></tr> </table> | Part No. | 06.01494.4734 | CH part name | 下推力杆螺栓 | EN part name | Hex Bolt | RU part name | хекс вольт | Size:mm | M18*2*250-10.9 | Weight:kg | 0.27 | NO. | NO.92-18 | | |
| Part No. | 06.01494.4734 | | | | | | | | | | | | | | | | |
| CH part name | 下推力杆螺栓 | | | | | | | | | | | | | | | | |
| EN part name | Hex Bolt | | | | | | | | | | | | | | | | |
| RU part name | хекс вольт | | | | | | | | | | | | | | | | |
| Size:mm | M18*2*250-10.9 | | | | | | | | | | | | | | | | |
| Weight:kg | 0.27 | | | | | | | | | | | | | | | | |
| NO. | NO.92-18 | | | | | | | | | | | | | | | | |
| Remarks: SHACMAN F3000 F2000 6*4 8*4 MAN | | | | | | | | | | | | | | | | | |
| KD1628 | | | | | | | | | | | | | | | | | |
|  | <table border="1"> <tr><td>Part No.</td><td>Q151B1885TF2</td></tr> <tr><td>CH part name</td><td>V型推力杆螺栓</td></tr> <tr><td>EN part name</td><td>Hex Bolt</td></tr> <tr><td>RU part name</td><td>хекс вольт</td></tr> <tr><td>Size:mm</td><td></td></tr> <tr><td>Weight:kg</td><td>0.2</td></tr> <tr><td>NO.</td><td>NO.92-21</td></tr> </table> | Part No. | Q151B1885TF2 | CH part name | V型推力杆螺栓 | EN part name | Hex Bolt | RU part name | хекс вольт | Size:mm | | Weight:kg | 0.2 | NO. | NO.92-21 | | |
| Part No. | Q151B1885TF2 | | | | | | | | | | | | | | | | |
| CH part name | V型推力杆螺栓 | | | | | | | | | | | | | | | | |
| EN part name | Hex Bolt | | | | | | | | | | | | | | | | |
| RU part name | хекс вольт | | | | | | | | | | | | | | | | |
| Size:mm | | | | | | | | | | | | | | | | | |
| Weight:kg | 0.2 | | | | | | | | | | | | | | | | |
| NO. | NO.92-21 | | | | | | | | | | | | | | | | |
| Remarks: SHACMAN F3000 F2000 6*4 8*4 MAN | | | | | | | | | | | | | | | | | |
| KD1629 | | | | | | | | | | | | | | | | | |
|  | <table border="1"> <tr><td>Part No.</td><td>06.02202.1013</td></tr> <tr><td>CH part name</td><td>V型推力杆螺栓</td></tr> <tr><td>EN part name</td><td>Hex Bolt</td></tr> <tr><td>RU part name</td><td>хекс вольт</td></tr> <tr><td>Size:mm</td><td>M20*2*75</td></tr> <tr><td>Weight:kg</td><td>0.25</td></tr> <tr><td>NO.</td><td>NO.92-23</td></tr> </table> | Part No. | 06.02202.1013 | CH part name | V型推力杆螺栓 | EN part name | Hex Bolt | RU part name | хекс вольт | Size:mm | M20*2*75 | Weight:kg | 0.25 | NO. | NO.92-23 | | |
| Part No. | 06.02202.1013 | | | | | | | | | | | | | | | | |
| CH part name | V型推力杆螺栓 | | | | | | | | | | | | | | | | |
| EN part name | Hex Bolt | | | | | | | | | | | | | | | | |
| RU part name | хекс вольт | | | | | | | | | | | | | | | | |
| Size:mm | M20*2*75 | | | | | | | | | | | | | | | | |
| Weight:kg | 0.25 | | | | | | | | | | | | | | | | |
| NO. | NO.92-23 | | | | | | | | | | | | | | | | |
| Remarks: SHACMAN F3000 F2000 6*4 8*4 MAN | | | | | | | | | | | | | | | | | |

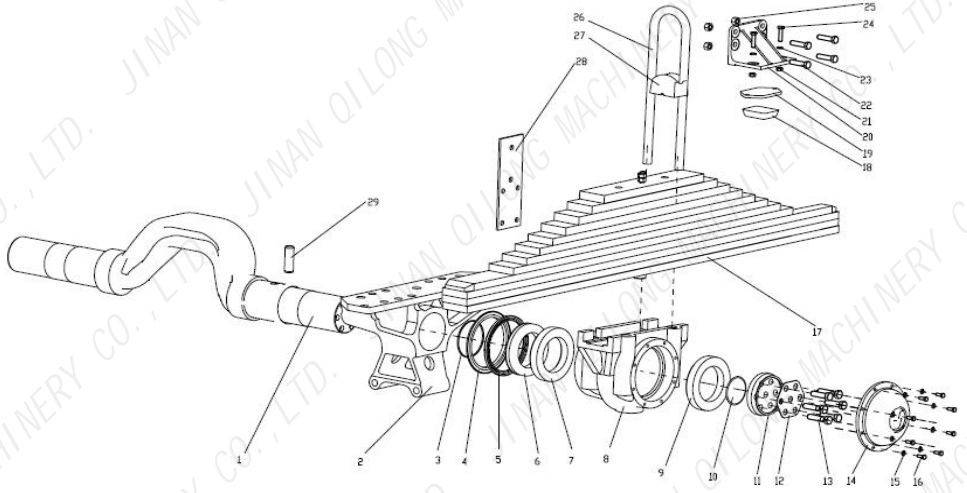






SHACMAN(1)

| ENGINEERING VEHICLE BALANCING | | NO.93 | | | | | | | | | | | | | | | |
|---|--|---|---|--------------|---------------|--------------|-------------|--------------|-----------------------|--------------|-----------------|-----------|------------------------|-----------|----------------|--------|----------------|
|  | | KD1630 | | | | | | | | | | | | | | | |
| | |  | <table border="1"> <tr><td>Part No.</td><td>81.96210.0508</td></tr> <tr><td>CH part name</td><td>平衡轴凸型衬套</td></tr> <tr><td>EN part name</td><td>凸-shape bush</td></tr> <tr><td>RU part name</td><td>凸 - форма куста</td></tr> <tr><td>Size:mm</td><td>120*99</td></tr> <tr><td>Weight:kg</td><td>1.95</td></tr> <tr><td>NO.</td><td>NO.93-2</td></tr> </table> | Part No. | 81.96210.0508 | CH part name | 平衡轴凸型衬套 | EN part name | 凸-shape bush | RU part name | 凸 - форма куста | Size:mm | 120*99 | Weight:kg | 1.95 | NO. | NO.93-2 |
| Part No. | 81.96210.0508 | | | | | | | | | | | | | | | | |
| CH part name | 平衡轴凸型衬套 | | | | | | | | | | | | | | | | |
| EN part name | 凸-shape bush | | | | | | | | | | | | | | | | |
| RU part name | 凸 - форма куста | | | | | | | | | | | | | | | | |
| Size:mm | 120*99 | | | | | | | | | | | | | | | | |
| Weight:kg | 1.95 | | | | | | | | | | | | | | | | |
| NO. | NO.93-2 | | | | | | | | | | | | | | | | |
| Remarks: SHACMAN F3000 F2000 6*4 8*4 MAN | | KD1631 | | | | | | | | | | | | | | | |
| | |  | <table border="1"> <tr><td>Part No.</td><td>DZ9114526111</td></tr> <tr><td>CH part name</td><td>后钢板弹簧座</td></tr> <tr><td>EN part name</td><td>Balance shaft housing</td></tr> <tr><td>RU part name</td><td>Катер балансира</td></tr> <tr><td>Size:mm</td><td>300*290*165</td></tr> <tr><td>Weight:kg</td><td>27.1</td></tr> <tr><td>NO.</td><td>NO.93-3</td></tr> </table> | Part No. | DZ9114526111 | CH part name | 后钢板弹簧座 | EN part name | Balance shaft housing | RU part name | Катер балансира | Size:mm | 300*290*165 | Weight:kg | 27.1 | NO. | NO.93-3 |
| | | Part No. | DZ9114526111 | | | | | | | | | | | | | | |
| CH part name | 后钢板弹簧座 | | | | | | | | | | | | | | | | |
| EN part name | Balance shaft housing | | | | | | | | | | | | | | | | |
| RU part name | Катер балансира | | | | | | | | | | | | | | | | |
| Size:mm | 300*290*165 | | | | | | | | | | | | | | | | |
| Weight:kg | 27.1 | | | | | | | | | | | | | | | | |
| NO. | NO.93-3 | | | | | | | | | | | | | | | | |
| Remarks: SHACMAN F3000 F2000 6*4 8*4 MAN DZ97259520432 | | KD1632 | | | | | | | | | | | | | | | |
|  | <table border="1"> <tr><td>Part No.</td><td>81.41302.0030</td></tr> <tr><td>CH part name</td><td>平衡压板法兰</td></tr> <tr><td>EN part name</td><td>Stop washer</td></tr> <tr><td>RU part name</td><td>Стопорная шайба</td></tr> <tr><td>Size:mm</td><td></td></tr> <tr><td>Weight:kg</td><td>1.2</td></tr> <tr><td>NO.</td><td>NO.93-5</td></tr> </table> | Part No. | 81.41302.0030 | CH part name | 平衡压板法兰 | EN part name | Stop washer | RU part name | Стопорная шайба | Size:mm | | Weight:kg | 1.2 | NO. | NO.93-5 | KD1633 | |
| Part No. | 81.41302.0030 | | | | | | | | | | | | | | | | |
| CH part name | 平衡压板法兰 | | | | | | | | | | | | | | | | |
| EN part name | Stop washer | | | | | | | | | | | | | | | | |
| RU part name | Стопорная шайба | | | | | | | | | | | | | | | | |
| Size:mm | | | | | | | | | | | | | | | | | |
| Weight:kg | 1.2 | | | | | | | | | | | | | | | | |
| NO. | NO.93-5 | | | | | | | | | | | | | | | | |
| Remarks: SHACMAN F3000 F2000 6*4 8*4 MAN | |  | <table border="1"> <tr><td>Part No.</td><td>06.02815.9021</td></tr> <tr><td>CH part name</td><td>平衡轴螺栓</td></tr> <tr><td>EN part name</td><td>Hex Bolt</td></tr> <tr><td>RU part name</td><td>гекс вольт</td></tr> <tr><td>Size:mm</td><td>M16*1.5*80-10.9-MAN183</td></tr> <tr><td>Weight:kg</td><td>0.12</td></tr> <tr><td>NO.</td><td>NO.93-6</td></tr> </table> | Part No. | 06.02815.9021 | CH part name | 平衡轴螺栓 | EN part name | Hex Bolt | RU part name | гекс вольт | Size:mm | M16*1.5*80-10.9-MAN183 | Weight:kg | 0.12 | NO. | NO.93-6 |
| Part No. | 06.02815.9021 | | | | | | | | | | | | | | | | |
| CH part name | 平衡轴螺栓 | | | | | | | | | | | | | | | | |
| EN part name | Hex Bolt | | | | | | | | | | | | | | | | |
| RU part name | гекс вольт | | | | | | | | | | | | | | | | |
| Size:mm | M16*1.5*80-10.9-MAN183 | | | | | | | | | | | | | | | | |
| Weight:kg | 0.12 | | | | | | | | | | | | | | | | |
| NO. | NO.93-6 | | | | | | | | | | | | | | | | |
| Remarks: SHACMAN F3000 F2000 6*4 8*4 MAN | | KD1634 | | | | | | | | | | | | | | | |
|  | <table border="1"> <tr><td>Part No.</td><td>Q151B1475TF2</td></tr> <tr><td>CH part name</td><td>螺栓</td></tr> <tr><td>EN part name</td><td>Hex Bolt</td></tr> <tr><td>RU part name</td><td>гекс вольт</td></tr> <tr><td>Size:mm</td><td>M14*1.5*75</td></tr> <tr><td>Weight:kg</td><td>0.11</td></tr> <tr><td>NO.</td><td>NO.93-8</td></tr> </table> | Part No. | Q151B1475TF2 | CH part name | 螺栓 | EN part name | Hex Bolt | RU part name | гекс вольт | Size:mm | M14*1.5*75 | Weight:kg | 0.11 | NO. | NO.93-8 | KD1635 | |
| Part No. | Q151B1475TF2 | | | | | | | | | | | | | | | | |
| CH part name | 螺栓 | | | | | | | | | | | | | | | | |
| EN part name | Hex Bolt | | | | | | | | | | | | | | | | |
| RU part name | гекс вольт | | | | | | | | | | | | | | | | |
| Size:mm | M14*1.5*75 | | | | | | | | | | | | | | | | |
| Weight:kg | 0.11 | | | | | | | | | | | | | | | | |
| NO. | NO.93-8 | | | | | | | | | | | | | | | | |
| Remarks: SHACMAN F3000 F2000 6*4 8*4 MAN | |  | <table border="1"> <tr><td>Part No.</td><td>Q151B1450TF2</td></tr> <tr><td>CH part name</td><td>螺栓</td></tr> <tr><td>EN part name</td><td>Hex Bolt</td></tr> <tr><td>RU part name</td><td>гекс вольт</td></tr> <tr><td>Size:mm</td><td>M14*1.5*50</td></tr> <tr><td>Weight:kg</td><td>0.1</td></tr> <tr><td>NO.</td><td>NO.93-7</td></tr> </table> | Part No. | Q151B1450TF2 | CH part name | 螺栓 | EN part name | Hex Bolt | RU part name | гекс вольт | Size:mm | M14*1.5*50 | Weight:kg | 0.1 | NO. | NO.93-7 |
| Part No. | Q151B1450TF2 | | | | | | | | | | | | | | | | |
| CH part name | 螺栓 | | | | | | | | | | | | | | | | |
| EN part name | Hex Bolt | | | | | | | | | | | | | | | | |
| RU part name | гекс вольт | | | | | | | | | | | | | | | | |
| Size:mm | M14*1.5*50 | | | | | | | | | | | | | | | | |
| Weight:kg | 0.1 | | | | | | | | | | | | | | | | |
| NO. | NO.93-7 | | | | | | | | | | | | | | | | |
| Remarks: SHACMAN F3000 F2000 6*4 8*4 MAN | | Remarks: SHACMAN F3000 F2000 6*4 8*4 MAN | | | | | | | | | | | | | | | |

SHACMAN(1)

| | | | |
|---|--|---|---|
|  | <p>Part No. 81.96210.0379</p> <p>CH part name 橡胶减振块</p> <p>EN part name Bushion rubber</p> <p>RU part name bushion резины</p> <p>Size:mm</p> <p>Weight:kg 0.4</p> <p>NO. NO.93-3</p> |  | <p>Part No. 06.11251.2005</p> <p>CH part name 自锁螺母</p> <p>EN part name Hex self-locking nut</p> <p>RU part name хекс self-locking опеха</p> <p>Size:mm M14X1.5-10-MAN183-B1</p> <p>Weight:kg 0.04</p> <p>NO. NO.93-9-10</p> |
| <p>Remarks: SHACMAN F3000 F2000 6*4 8*4 MAN</p> | | <p>Remarks: SHACMAN F3000 F2000 6*4 8*4 MAN</p> | |
|  | <p>Part No. DZ9114520215</p> <p>CH part name 平衡轴</p> <p>EN part name Balancing shaft assy</p> <p>RU part name Балансирная ось в сборе</p> <p>Size:mm 1200*650*450</p> <p>Weight:kg 160</p> <p>NO. NO.94-1</p> |  | <p>Part No. DZ9114520215Z</p> <p>CH part name 平衡轴总成</p> <p>EN part name Balancing shaft assy</p> <p>RU part name Балансирная ось в сборе</p> <p>Size:mm 150*650*450</p> <p>Weight:kg 198</p> <p>NO. NO.94-1</p> |
| <p>Remarks: SHACMAN F3000 F2000 6*4 8*4 STEYR</p> | | <p>Remarks: SHACMAN F3000 F2000 6*4 8*4 STEYR</p> | |
|  | <p>Part No. AZ9114520223</p> <p>CH part name 平衡轴油封</p> <p>EN part name Balance shaft oil seal</p> <p>RU part name Сальник балансирного вала</p> <p>Size:mm 185*185*10.5</p> <p>Weight:kg 0.21</p> <p>NO. NO.94-5</p> |  | <p>Part No. DZ91259520222</p> <p>CH part name 平衡轴橡胶型环</p> <p>EN part name Ring</p> <p>RU part name кольцо</p> <p>Size:mm 190*10</p> <p>Weight:kg 0.07</p> <p>NO. NO.94-4</p> |
| <p>Remarks: SHACMAN F3000 F2000 6*4 8*4 STEYR</p> | | <p>Remarks: SHACMAN F3000 F2000 6*4 8*4 STEYR</p> | |
|  | <p>Part No. 199114520136</p> <p>CH part name 平衡轴密封盖</p> <p>EN part name Bearing seal cover</p> <p>RU part name Крышка сальника подшипника</p> <p>Size:mm 190*110*32</p> <p>Weight:kg 2.35</p> <p>NO. NO.94-6</p> |  | <p>Part No. 199114520042</p> <p>CH part name 平衡轴球面轴承</p> <p>EN part name Bearing</p> <p>RU part name Подшипник балансира</p> <p>Size:mm 167*110*37</p> <p>Weight:kg 3.8</p> <p>NO. NO.94-7</p> |
| <p>Remarks: SHACMAN F3000 F2000 6*4 8*4 STEYR</p> | | <p>Remarks: SHACMAN F3000 F2000 6*4 8*4 STEYR</p> | |

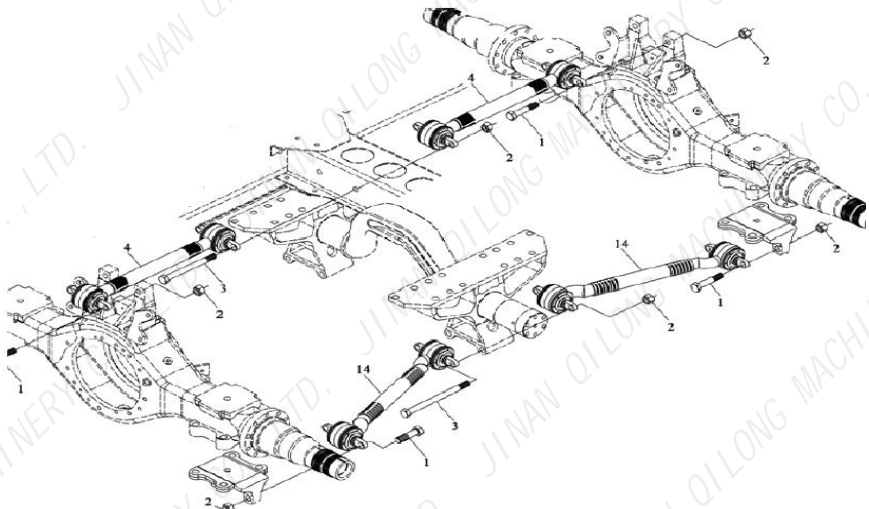






SHACMAN(1)

| ENGINEERING BALANCING | | NO.94 | | | | | | | | | | | | | | | |
|---|---|---|---|--------------|---------------|--------------|-----------------------|--------------|---------------------------|--------------|-----------------|-----------|-------------|-----------|-----------------|-----|----------------|
|  | | KD1644 | | | | | | | | | | | | | | | |
| | |  | <table border="1"> <tr><td>Part No.</td><td>199114520035</td></tr> <tr><td>CH part name</td><td>平衡轴壳</td></tr> <tr><td>EN part name</td><td>Balance shaft housing</td></tr> <tr><td>RU part name</td><td>Катер балансира</td></tr> <tr><td>Size:mm</td><td>300*290*165</td></tr> <tr><td>Weight:kg</td><td>27.09</td></tr> <tr><td>NO.</td><td>NO.94-8</td></tr> </table> | Part No. | 199114520035 | CH part name | 平衡轴壳 | EN part name | Balance shaft housing | RU part name | Катер балансира | Size:mm | 300*290*165 | Weight:kg | 27.09 | NO. | NO.94-8 |
| Part No. | 199114520035 | | | | | | | | | | | | | | | | |
| CH part name | 平衡轴壳 | | | | | | | | | | | | | | | | |
| EN part name | Balance shaft housing | | | | | | | | | | | | | | | | |
| RU part name | Катер балансира | | | | | | | | | | | | | | | | |
| Size:mm | 300*290*165 | | | | | | | | | | | | | | | | |
| Weight:kg | 27.09 | | | | | | | | | | | | | | | | |
| NO. | NO.94-8 | | | | | | | | | | | | | | | | |
| | | Remarks: SHACMAN F3000 F2000 6*4 8*4 STEYR | | | | | | | | | | | | | | | |
| | | KD1645 | | | | | | | | | | | | | | | |
| | |  | <table border="1"> <tr><td>Part No.</td><td>DZ91259525035</td></tr> <tr><td>CH part name</td><td>平衡轴壳</td></tr> <tr><td>EN part name</td><td>Balance shaft housing</td></tr> <tr><td>RU part name</td><td>Катер балансира</td></tr> <tr><td>Size:mm</td><td>330*220*240</td></tr> <tr><td>Weight:kg</td><td>27.09</td></tr> <tr><td>NO.</td><td>NO.94-8</td></tr> </table> | Part No. | DZ91259525035 | CH part name | 平衡轴壳 | EN part name | Balance shaft housing | RU part name | Катер балансира | Size:mm | 330*220*240 | Weight:kg | 27.09 | NO. | NO.94-8 |
| Part No. | DZ91259525035 | | | | | | | | | | | | | | | | |
| CH part name | 平衡轴壳 | | | | | | | | | | | | | | | | |
| EN part name | Balance shaft housing | | | | | | | | | | | | | | | | |
| RU part name | Катер балансира | | | | | | | | | | | | | | | | |
| Size:mm | 330*220*240 | | | | | | | | | | | | | | | | |
| Weight:kg | 27.09 | | | | | | | | | | | | | | | | |
| NO. | NO.94-8 | | | | | | | | | | | | | | | | |
| | | Remarks: SHACMAN F3000 F2000 6*4 8*4 | | | | | | | | | | | | | | | |
| KD1646 | | | | | | | | | | | | | | | | | |
|  | <table border="1"> <tr><td>Part No.</td><td>DZ91259520038</td></tr> <tr><td>CH part name</td><td>平衡轴壳MAN</td></tr> <tr><td>EN part name</td><td>Balance shaft housing</td></tr> <tr><td>RU part name</td><td>Катер балансира</td></tr> <tr><td>Size:mm</td><td>300*290*165</td></tr> <tr><td>Weight:kg</td><td>39.4</td></tr> <tr><td>NO.</td><td>NO.94-8</td></tr> </table> | Part No. | DZ91259520038 | CH part name | 平衡轴壳MAN | EN part name | Balance shaft housing | RU part name | Катер балансира | Size:mm | 300*290*165 | Weight:kg | 39.4 | NO. | NO.94-8 | | |
| Part No. | DZ91259520038 | | | | | | | | | | | | | | | | |
| CH part name | 平衡轴壳MAN | | | | | | | | | | | | | | | | |
| EN part name | Balance shaft housing | | | | | | | | | | | | | | | | |
| RU part name | Катер балансира | | | | | | | | | | | | | | | | |
| Size:mm | 300*290*165 | | | | | | | | | | | | | | | | |
| Weight:kg | 39.4 | | | | | | | | | | | | | | | | |
| NO. | NO.94-8 | | | | | | | | | | | | | | | | |
| | | Remarks: SHACMAN F3000 F2000 6*4 8*4 | | | | | | | | | | | | | | | |
| KD1647 | | | | | | | | | | | | | | | | | |
|  | <table border="1"> <tr><td>Part No.</td><td>199014520191</td></tr> <tr><td>CH part name</td><td>平衡轴衬套</td></tr> <tr><td>EN part name</td><td>Bush</td></tr> <tr><td>RU part name</td><td>Втулка балансирного вала</td></tr> <tr><td>Size:mm</td><td>120*120*110</td></tr> <tr><td>Weight:kg</td><td>0.8</td></tr> <tr><td>NO.</td><td>NO.94-9</td></tr> </table> | Part No. | 199014520191 | CH part name | 平衡轴衬套 | EN part name | Bush | RU part name | Втулка балансирного вала | Size:mm | 120*120*110 | Weight:kg | 0.8 | NO. | NO.94-9 | | |
| Part No. | 199014520191 | | | | | | | | | | | | | | | | |
| CH part name | 平衡轴衬套 | | | | | | | | | | | | | | | | |
| EN part name | Bush | | | | | | | | | | | | | | | | |
| RU part name | Втулка балансирного вала | | | | | | | | | | | | | | | | |
| Size:mm | 120*120*110 | | | | | | | | | | | | | | | | |
| Weight:kg | 0.8 | | | | | | | | | | | | | | | | |
| NO. | NO.94-9 | | | | | | | | | | | | | | | | |
| | | Remarks: SHACMAN F3000 F2000 6*4 8*4 STEYR | | | | | | | | | | | | | | | |
| KD1648 | | | | | | | | | | | | | | | | | |
|  | <table border="1"> <tr><td>Part No.</td><td>AZ9114520188</td></tr> <tr><td>CH part name</td><td>平衡轴压板</td></tr> <tr><td>EN part name</td><td>Stop washer</td></tr> <tr><td>RU part name</td><td>Стопорная шайба</td></tr> <tr><td>Size:mm</td><td>125*15</td></tr> <tr><td>Weight:kg</td><td>1.15</td></tr> <tr><td>NO.</td><td>NO.94-12</td></tr> </table> | Part No. | AZ9114520188 | CH part name | 平衡轴压板 | EN part name | Stop washer | RU part name | Стопорная шайба | Size:mm | 125*15 | Weight:kg | 1.15 | NO. | NO.94-12 | | |
| Part No. | AZ9114520188 | | | | | | | | | | | | | | | | |
| CH part name | 平衡轴压板 | | | | | | | | | | | | | | | | |
| EN part name | Stop washer | | | | | | | | | | | | | | | | |
| RU part name | Стопорная шайба | | | | | | | | | | | | | | | | |
| Size:mm | 125*15 | | | | | | | | | | | | | | | | |
| Weight:kg | 1.15 | | | | | | | | | | | | | | | | |
| NO. | NO.94-12 | | | | | | | | | | | | | | | | |
| | | Remarks: SHACMAN F3000 F2000 6*4 8*4 STEYR | | | | | | | | | | | | | | | |
| KD1649 | | | | | | | | | | | | | | | | | |
|  | <table border="1"> <tr><td>Part No.</td><td>199014520265</td></tr> <tr><td>CH part name</td><td>平衡轴止动垫圈</td></tr> <tr><td>EN part name</td><td>Stop washer</td></tr> <tr><td>RU part name</td><td>Стопорная шайба балансира</td></tr> <tr><td>Size:mm</td><td>125*0.3*0.3</td></tr> <tr><td>Weight:kg</td><td>0.1</td></tr> <tr><td>NO.</td><td>NO.94-13</td></tr> </table> | Part No. | 199014520265 | CH part name | 平衡轴止动垫圈 | EN part name | Stop washer | RU part name | Стопорная шайба балансира | Size:mm | 125*0.3*0.3 | Weight:kg | 0.1 | NO. | NO.94-13 | | |
| Part No. | 199014520265 | | | | | | | | | | | | | | | | |
| CH part name | 平衡轴止动垫圈 | | | | | | | | | | | | | | | | |
| EN part name | Stop washer | | | | | | | | | | | | | | | | |
| RU part name | Стопорная шайба балансира | | | | | | | | | | | | | | | | |
| Size:mm | 125*0.3*0.3 | | | | | | | | | | | | | | | | |
| Weight:kg | 0.1 | | | | | | | | | | | | | | | | |
| NO. | NO.94-13 | | | | | | | | | | | | | | | | |
| | | Remarks: SHACMAN F3000 F2000 6*4 8*4 STEYR | | | | | | | | | | | | | | | |

SHACMAN(1)

| | | | | | | | | | | | | | | | | | | | | | | | | | | | | | | | |
|---|---|---|---------------|--------------|-------------|--------------|-------------------------|--------------|-----------------------------------|---------|--------------|-----------|------|-----|-----------------|---|---|----------|---------------|--------------|-------|--------------|--------------------|--------------|--------------------------------|---------|-------------|-----------|------|-----|-----------------|
|  | <table border="1"> <tr><td>Part No.</td><td>DZ91259520212</td></tr> <tr><td>CH part name</td><td>平衡轴壳盖 (R)</td></tr> <tr><td>EN part name</td><td>Balance shaft cover</td></tr> <tr><td>RU part name</td><td>Крышка балансирного вала</td></tr> <tr><td>Size:mm</td><td>210*210*60</td></tr> <tr><td>Weight:kg</td><td>1.9</td></tr> <tr><td>NO.</td><td>NO.94-14</td></tr> </table> | Part No. | DZ91259520212 | CH part name | 平衡轴壳盖 (R) | EN part name | Balance shaft cover | RU part name | Крышка балансирного вала | Size:mm | 210*210*60 | Weight:kg | 1.9 | NO. | NO.94-14 |  | <table border="1"> <tr><td>Part No.</td><td>Q151B1655TF2</td></tr> <tr><td>CH part name</td><td>平衡轴螺栓</td></tr> <tr><td>EN part name</td><td>Hex screw</td></tr> <tr><td>RU part name</td><td>гекс винт</td></tr> <tr><td>Size:mm</td><td></td></tr> <tr><td>Weight:kg</td><td>0.13</td></tr> <tr><td>NO.</td><td>NO.94-16</td></tr> </table> | Part No. | Q151B1655TF2 | CH part name | 平衡轴螺栓 | EN part name | Hex screw | RU part name | гекс винт | Size:mm | | Weight:kg | 0.13 | NO. | NO.94-16 |
| Part No. | DZ91259520212 | | | | | | | | | | | | | | | | | | | | | | | | | | | | | | |
| CH part name | 平衡轴壳盖 (R) | | | | | | | | | | | | | | | | | | | | | | | | | | | | | | |
| EN part name | Balance shaft cover | | | | | | | | | | | | | | | | | | | | | | | | | | | | | | |
| RU part name | Крышка балансирного вала | | | | | | | | | | | | | | | | | | | | | | | | | | | | | | |
| Size:mm | 210*210*60 | | | | | | | | | | | | | | | | | | | | | | | | | | | | | | |
| Weight:kg | 1.9 | | | | | | | | | | | | | | | | | | | | | | | | | | | | | | |
| NO. | NO.94-14 | | | | | | | | | | | | | | | | | | | | | | | | | | | | | | |
| Part No. | Q151B1655TF2 | | | | | | | | | | | | | | | | | | | | | | | | | | | | | | |
| CH part name | 平衡轴螺栓 | | | | | | | | | | | | | | | | | | | | | | | | | | | | | | |
| EN part name | Hex screw | | | | | | | | | | | | | | | | | | | | | | | | | | | | | | |
| RU part name | гекс винт | | | | | | | | | | | | | | | | | | | | | | | | | | | | | | |
| Size:mm | | | | | | | | | | | | | | | | | | | | | | | | | | | | | | | |
| Weight:kg | 0.13 | | | | | | | | | | | | | | | | | | | | | | | | | | | | | | |
| NO. | NO.94-16 | | | | | | | | | | | | | | | | | | | | | | | | | | | | | | |
| Remarks: SHACMAN F3000 F2000 6*4 8*4 STEYR DZ91259520211 | | Remarks: SHACMAN F3000 F2000 6*4 8*4 STEYR | | | | | | | | | | | | | | | | | | | | | | | | | | | | | |
|  | <table border="1"> <tr><td>Part No.</td><td>DZ9114520240</td></tr> <tr><td>CH part name</td><td>后钢板总成</td></tr> <tr><td>EN part name</td><td>Rear spring plate assy.</td></tr> <tr><td>RU part name</td><td>Рессора задняя в сборе</td></tr> <tr><td>Size:mm</td><td>1750*100*320</td></tr> <tr><td>Weight:kg</td><td>160</td></tr> <tr><td>NO.</td><td>NO.94-17</td></tr> </table> | Part No. | DZ9114520240 | CH part name | 后钢板总成 | EN part name | Rear spring plate assy. | RU part name | Рессора задняя в сборе | Size:mm | 1750*100*320 | Weight:kg | 160 | NO. | NO.94-17 |  | <table border="1"> <tr><td>Part No.</td><td>DZ9114521012</td></tr> <tr><td>CH part name</td><td>后桥缓冲块</td></tr> <tr><td>EN part name</td><td>Rear spring washer</td></tr> <tr><td>RU part name</td><td>Отбойник рессоры заднего моста</td></tr> <tr><td>Size:mm</td><td>150*100*45</td></tr> <tr><td>Weight:kg</td><td>0.5</td></tr> <tr><td>NO.</td><td>NO.94-18</td></tr> </table> | Part No. | DZ9114521012 | CH part name | 后桥缓冲块 | EN part name | Rear spring washer | RU part name | Отбойник рессоры заднего моста | Size:mm | 150*100*45 | Weight:kg | 0.5 | NO. | NO.94-18 |
| Part No. | DZ9114520240 | | | | | | | | | | | | | | | | | | | | | | | | | | | | | | |
| CH part name | 后钢板总成 | | | | | | | | | | | | | | | | | | | | | | | | | | | | | | |
| EN part name | Rear spring plate assy. | | | | | | | | | | | | | | | | | | | | | | | | | | | | | | |
| RU part name | Рессора задняя в сборе | | | | | | | | | | | | | | | | | | | | | | | | | | | | | | |
| Size:mm | 1750*100*320 | | | | | | | | | | | | | | | | | | | | | | | | | | | | | | |
| Weight:kg | 160 | | | | | | | | | | | | | | | | | | | | | | | | | | | | | | |
| NO. | NO.94-17 | | | | | | | | | | | | | | | | | | | | | | | | | | | | | | |
| Part No. | DZ9114521012 | | | | | | | | | | | | | | | | | | | | | | | | | | | | | | |
| CH part name | 后桥缓冲块 | | | | | | | | | | | | | | | | | | | | | | | | | | | | | | |
| EN part name | Rear spring washer | | | | | | | | | | | | | | | | | | | | | | | | | | | | | | |
| RU part name | Отбойник рессоры заднего моста | | | | | | | | | | | | | | | | | | | | | | | | | | | | | | |
| Size:mm | 150*100*45 | | | | | | | | | | | | | | | | | | | | | | | | | | | | | | |
| Weight:kg | 0.5 | | | | | | | | | | | | | | | | | | | | | | | | | | | | | | |
| NO. | NO.94-18 | | | | | | | | | | | | | | | | | | | | | | | | | | | | | | |
| Remarks: SHACMAN F3000 F2000 6*4 8*4 STEYR DZ9114520230 | | Remarks: SHACMAN F3000 F2000 6*4 8*4 STEYR | | | | | | | | | | | | | | | | | | | | | | | | | | | | | |
|  | <table border="1"> <tr><td>Part No.</td><td>DZ95259521011</td></tr> <tr><td>CH part name</td><td>后桥缓冲块支架</td></tr> <tr><td>EN part name</td><td>Brack of cushion</td></tr> <tr><td>RU part name</td><td>буферный блок скобка</td></tr> <tr><td>Size:mm</td><td></td></tr> <tr><td>Weight:kg</td><td>2.48</td></tr> <tr><td>NO.</td><td>NO.94-20</td></tr> </table> | Part No. | DZ95259521011 | CH part name | 后桥缓冲块支架 | EN part name | Brack of cushion | RU part name | буферный блок скобка | Size:mm | | Weight:kg | 2.48 | NO. | NO.94-20 |  | <table border="1"> <tr><td>Part No.</td><td>DZ9118520124</td></tr> <tr><td>CH part name</td><td>后骑马螺栓</td></tr> <tr><td>EN part name</td><td>Rear "U" bolt</td></tr> <tr><td>RU part name</td><td>Стремянка</td></tr> <tr><td>Size:mm</td><td>530*150*35</td></tr> <tr><td>Weight:kg</td><td>4.25</td></tr> <tr><td>NO.</td><td>NO.94-26</td></tr> </table> | Part No. | DZ9118520124 | CH part name | 后骑马螺栓 | EN part name | Rear "U" bolt | RU part name | Стремянка | Size:mm | 530*150*35 | Weight:kg | 4.25 | NO. | NO.94-26 |
| Part No. | DZ95259521011 | | | | | | | | | | | | | | | | | | | | | | | | | | | | | | |
| CH part name | 后桥缓冲块支架 | | | | | | | | | | | | | | | | | | | | | | | | | | | | | | |
| EN part name | Brack of cushion | | | | | | | | | | | | | | | | | | | | | | | | | | | | | | |
| RU part name | буферный блок скобка | | | | | | | | | | | | | | | | | | | | | | | | | | | | | | |
| Size:mm | | | | | | | | | | | | | | | | | | | | | | | | | | | | | | | |
| Weight:kg | 2.48 | | | | | | | | | | | | | | | | | | | | | | | | | | | | | | |
| NO. | NO.94-20 | | | | | | | | | | | | | | | | | | | | | | | | | | | | | | |
| Part No. | DZ9118520124 | | | | | | | | | | | | | | | | | | | | | | | | | | | | | | |
| CH part name | 后骑马螺栓 | | | | | | | | | | | | | | | | | | | | | | | | | | | | | | |
| EN part name | Rear "U" bolt | | | | | | | | | | | | | | | | | | | | | | | | | | | | | | |
| RU part name | Стремянка | | | | | | | | | | | | | | | | | | | | | | | | | | | | | | |
| Size:mm | 530*150*35 | | | | | | | | | | | | | | | | | | | | | | | | | | | | | | |
| Weight:kg | 4.25 | | | | | | | | | | | | | | | | | | | | | | | | | | | | | | |
| NO. | NO.94-26 | | | | | | | | | | | | | | | | | | | | | | | | | | | | | | |
| Remarks: SHACMAN F3000 F2000 6*4 8*4 STEYR | | Remarks: SHACMAN F3000 F2000 6*4 8*4 STEYR | | | | | | | | | | | | | | | | | | | | | | | | | | | | | |
|  | <table border="1"> <tr><td>Part No.</td><td>199000520021</td></tr> <tr><td>CH part name</td><td>后骑马螺栓座</td></tr> <tr><td>EN part name</td><td>Bolt seat</td></tr> <tr><td>RU part name</td><td>Башмак крепления рессоры передней</td></tr> <tr><td>Size:mm</td><td>130*120*45</td></tr> <tr><td>Weight:kg</td><td>1.8</td></tr> <tr><td>NO.</td><td>NO.94-27</td></tr> </table> | Part No. | 199000520021 | CH part name | 后骑马螺栓座 | EN part name | Bolt seat | RU part name | Башмак крепления рессоры передней | Size:mm | 130*120*45 | Weight:kg | 1.8 | NO. | NO.94-27 |  | <table border="1"> <tr><td>Part No.</td><td>DZ91259525274</td></tr> <tr><td>CH part name</td><td>上推力杆</td></tr> <tr><td>EN part name</td><td>Up push rod assy.</td></tr> <tr><td>RU part name</td><td>Верхн.реактив.тяга в сборе</td></tr> <tr><td>Size:mm</td><td>710*200*101</td></tr> <tr><td>Weight:kg</td><td>16.4</td></tr> <tr><td>NO.</td><td>NO.95-4</td></tr> </table> | Part No. | DZ91259525274 | CH part name | 上推力杆 | EN part name | Up push rod assy. | RU part name | Верхн.реактив.тяга в сборе | Size:mm | 710*200*101 | Weight:kg | 16.4 | NO. | NO.95-4 |
| Part No. | 199000520021 | | | | | | | | | | | | | | | | | | | | | | | | | | | | | | |
| CH part name | 后骑马螺栓座 | | | | | | | | | | | | | | | | | | | | | | | | | | | | | | |
| EN part name | Bolt seat | | | | | | | | | | | | | | | | | | | | | | | | | | | | | | |
| RU part name | Башмак крепления рессоры передней | | | | | | | | | | | | | | | | | | | | | | | | | | | | | | |
| Size:mm | 130*120*45 | | | | | | | | | | | | | | | | | | | | | | | | | | | | | | |
| Weight:kg | 1.8 | | | | | | | | | | | | | | | | | | | | | | | | | | | | | | |
| NO. | NO.94-27 | | | | | | | | | | | | | | | | | | | | | | | | | | | | | | |
| Part No. | DZ91259525274 | | | | | | | | | | | | | | | | | | | | | | | | | | | | | | |
| CH part name | 上推力杆 | | | | | | | | | | | | | | | | | | | | | | | | | | | | | | |
| EN part name | Up push rod assy. | | | | | | | | | | | | | | | | | | | | | | | | | | | | | | |
| RU part name | Верхн.реактив.тяга в сборе | | | | | | | | | | | | | | | | | | | | | | | | | | | | | | |
| Size:mm | 710*200*101 | | | | | | | | | | | | | | | | | | | | | | | | | | | | | | |
| Weight:kg | 16.4 | | | | | | | | | | | | | | | | | | | | | | | | | | | | | | |
| NO. | NO.95-4 | | | | | | | | | | | | | | | | | | | | | | | | | | | | | | |
| Remarks: SHACMAN F3000 F2000 6*4 8*4 STEYR | | Remarks: SHACMAN F3000 F2000 6*4 8*4 STEYR DZ9114520274 | | | | | | | | | | | | | | | | | | | | | | | | | | | | | |

SHACMAN(1)

| ENGINEERING BALANCING | | NO.95 | |
|---|---|-------------------------|----------------------------|
|  | KD1658 | | |
| |  | Part No. | 199014520174 |
| | | CH part name | 上推力杆 |
| | | EN part name | Up push rod assy. |
| | | RU part name | Верхн.реактив.тяга в сборе |
| | | Size:mm | 710*200*101 |
| | | Weight:kg | 16.4 |
| | | NO. | NO.95-4 |
| | Remarks: SHACMAN F3000 F2000 6*4 8*4 STEYR | | |
| | KD1659 | | |
|  | Part No. | DZ91259525275 | |
| | CH part name | 下推力杆 | |
| | EN part name | Down push rod new model | |
| | RU part name | Ниж.реакт.тяга в сборе | |
| | Size:mm | 740*198*110 | |
| | Weight:kg | 16.4 | |
| | NO. | NO.95-14 | |
| Remarks: SHACMAN F3000 F2000 6*4 8*4 STEYR | | | |
| KD1660 | | | |
|  | Part No. | 190003800007 | |
| | CH part name | 上推力杆螺栓 | |
| | EN part name | Thrust bolt | |
| | RU part name | Тяга рычаг болт | |
| | Size:mm | M20*1.5*200 | |
| | Weight:kg | 0.7 | |
| | NO. | NO.95-1 | |
| Remarks: SHACMAN F3000 F2000 6*4 8*4 STEYR | | | |
| KD1661 | | | |
|  | Part No. | 199014520175 | |
| | CH part name | 下推力杆 | |
| | EN part name | Down push rod new model | |
| | RU part name | Ниж.реакт.тяга в сборе | |
| | Size:mm | 740*198*110 | |
| | Weight:kg | 13.6 | |
| | NO. | NO.95-14 | |
| Remarks: SHACMAN F3000 F2000 6*4 8*4 STEYR | | | |
| KD1662 | | | |
|  | Part No. | 190003803974 | |
| | CH part name | 上推力杆螺栓 | |
| | EN part name | Thrust bolt | |
| | RU part name | Тяга рычаг болт | |
| | Size:mm | M20*1.5*240 | |
| | Weight:kg | 0.72 | |
| | NO. | NO.95-3 | |
| Remarks: SHACMAN F3000 F2000 6*4 8*4 STEYR | | | |
| KD1663 | | | |
|  | Part No. | 190003800008 | |
| | CH part name | 上推力杆螺栓 | |
| | EN part name | Thrust bolt | |
| | RU part name | Тяга рычаг болт | |
| | Size:mm | M20*1.5*90 | |
| | Weight:kg | 0.33 | |
| | NO. | NO.95-3 | |
| Remarks: SHACMAN F3000 F2000 6*4 8*4 STEYR | | | |

SHACMAN(1)

| LEAF SPRING | | NO.96 | | |
|---|---|-----------------------------|--------------------------------------|--|
|  | KD1664 | | | |
| |  | | Part No. DZ9114520230 | |
| | | | CH part name 后钢板总成 | |
| | | | EN part name Rear spring plate assy. | |
| | | | RU part name Рессора задняя в сборе | |
| | | | Size:mm 1600*450*90 | |
| | | | Weight:kg 159 | |
| | | | NO. NO.96 | |
| | Remarks: SHACMAN F3000 F2000 6*4 8*4 STEYR | | | |
| |  | KD1665 | | |
| | | Part No. DZ911452023002 | | |
| | | CH part name 后钢板二片 | | |
| | | EN part name Spring plate 2 | | |
| | | RU part name весной знака 2 | | |
| | | Size:mm | | |
| | | Weight:kg | | |
| | | NO. NO.96-2 | | |
| Remarks: SHACMAN F3000 F2000 6*4 8*4 STEYR | | | | |
|  | | KD1666 | | |
| | Part No. | 199014520800 | | |
| | CH part name | 板簧中心螺栓 | | |
| | EN part name | Screw | | |
| | RU part name | к черту | | |
| | Size:mm | 14*1.5*340 | | |
| | Weight:kg | 0.55 | | |
| | NO. | NO.96-14 | | |
| Remarks: SHACMAN F3000 F2000 6*4 8*4 STEYR | | | | |
|  | KD1667 | | | |
| | Part No. | DZ911452023004 | | |
| | CH part name | 后钢板四片 | | |
| | EN part name | Spring plate 4 | | |
| | RU part name | весной знака 4 | | |
| | Size:mm | | | |
| | Weight:kg | | | |
| | NO. | NO.96-4 | | |
| Remarks: SHACMAN F3000 F2000 6*4 8*4 STEYR | | | | |
|  | KD1668 | | | |
| | Part No. | DZ9114520240ZXS | | |
| | CH part name | 板簧中心螺栓 | | |
| | EN part name | Screw | | |
| | RU part name | к черту | | |
| | Size:mm | 14*1.5*310 | | |
| | Weight:kg | 0.55 | | |
| | NO. | NO.96-14 | | |
| | Remarks: SHACMAN F3000 F2000 6*4 8*4 STEYR | | | |
| |  | KD1669 | | |
| Part No. | | DZ9114524037 | | |
| CH part name | | 后簧钢板左后支架 | | |
| EN part name | | Bracket (rear left) | | |
| RU part name | | скобки (сзади слева) | | |
| Size:mm | | 180*150*200 | | |
| Weight:kg | | 19.2 | | |
| NO. | | NO.96-19 | | |
| Remarks: SHACMAN F3000 F2000 6*4 8*4 DZ9114520253 | | | | |

SHACMAN(1)

| | | | | | |
|---|--------------|---|---|------------------------------|---|
| KD1670 | | | KD1671 | | |
|  | Part No. | DZ9114524004 |  | Part No. | DZ9114524036 |
| | CH part name | 后钢板簧右后支架 | | CH part name | 后簧钢板右前支架 |
| | EN part name | Bracket (rear right) | | EN part name | Bracket (front right) |
| | RU part name | скобки (сзади справа) | | RU part name | скобка (на переднем плане справа) |
| | Size:mm | | | Size:mm | 185*150*190 |
| | Weight:kg | 19.2 | | Weight:kg | 19.2 |
| | NO. | NO.96-19 | | NO. | NO.96-19 |
| Remarks: SHACMAN F3000 F2000 | 6*4 | 8*4 | DZ9114520254 | Remarks: SHACMAN F3000 F2000 | 6*4 8*4 DZ9114520252 |
| KD1672 | | | KD1673 | | |
|  | Part No. | DZ9114524003 |  | Part No. | DZ9114520222 |
| | CH part name | 后钢板簧左后支架 | | CH part name | 后簧钢板右前支架 |
| | EN part name | Bracket (rear left) | | EN part name | Bracket (front right) |
| | RU part name | скобки (сзади слева) | | RU part name | скобка (на переднем плане справа) |
| | Size:mm | | | Size:mm | |
| | Weight:kg | 19.2 | | Weight:kg | 19.2 |
| | NO. | NO.96-19 | | NO. | NO.96-19 |
| Remarks: SHACMAN F3000 F2000 | 6*4 | 8*4 | | Remarks: SHACMAN F3000 F2000 | 6*4 8*4 |
| KD1674 | | | KD1675 | | |
|  | Part No. | DZ9114524001 |  | Part No. | DZ1640230240 |
| | CH part name | 后钢板左前支架 | | CH part name | 右后翼子板支架总成 |
| | EN part name | Bracket (front left) | | EN part name | Bracket assembly right |
| | RU part name | скобка (на переднем плане слева) | | RU part name | в возрастной группе от ассамблеи право |
| | Size:mm | | | Size:mm | |
| | Weight:kg | 19.2 | | Weight:kg | |
| | NO. | NO.96-19 | | NO. | NO.97-2 |
| Remarks: SHACMAN F3000 F2000 | 6*4 | 8*4 | DZ9114520251 | Remarks: SHACMAN F3000 F2000 | 6*4 8*4 DZ93259820200 |
| KD1676 | | | KD1677 | | |
|  | Part No. | DZ1640230220 |  | Part No. | DZ1640230160 |
| | CH part name | 右前支架总成 | | CH part name | 左后翼子板支架总成 |
| | EN part name | Bracket assembly left | | EN part name | Bracket assembly left |
| | RU part name | в возрастной группе от ассамблеи оставила | | RU part name | в возрастной группе от ассамблеи оставила |
| | Size:mm | | | Size:mm | |
| | Weight:kg | | | Weight:kg | |
| | NO. | NO.97-5 | | NO. | NO.97-1 |
| Remarks: SHACMAN F3000 F2000 | 6*4 | 8*4 | | Remarks: SHACMAN F3000 F2000 | 6*4 8*4 DZ1640230250 |

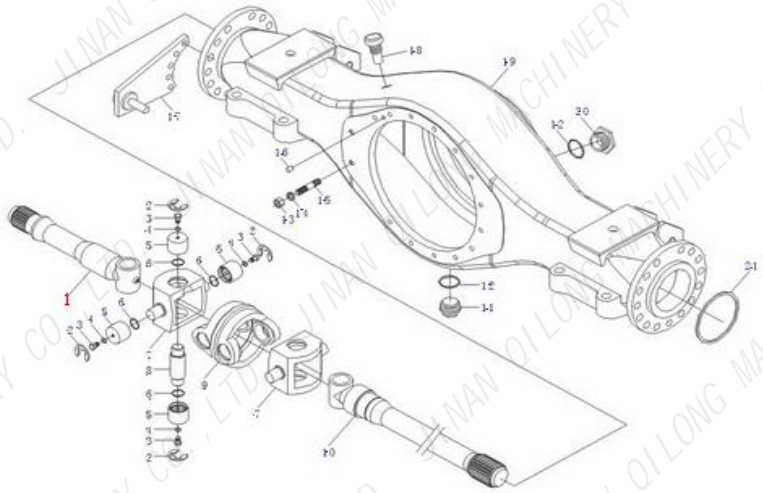
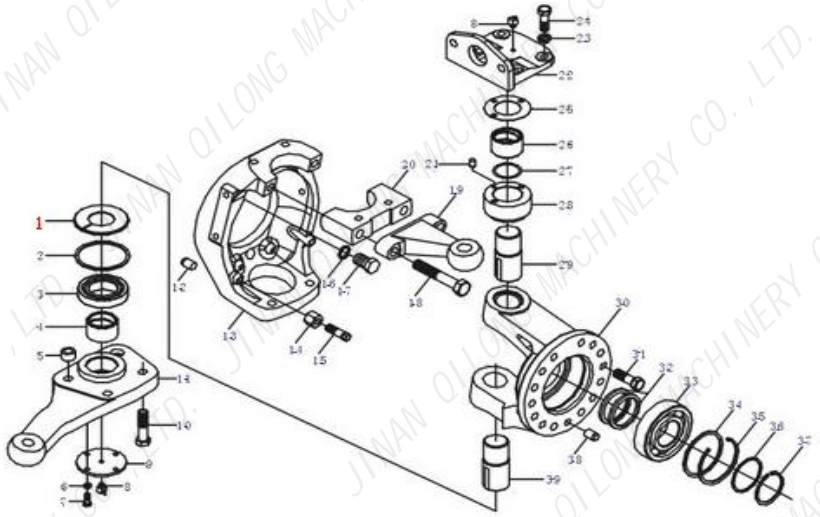




SHACMAN(1)

| LEFT/RIGHT FENDER BRACKET | | NO.97 | |
|------------------------------|----------------|-----------------------------|---|
| | | KD1678 | |
| | | Part No. | DZ1640230210 |
| | | CH part name | 左前支架总成 |
| | | EN part name | Bracket assembly right |
| | | RU part name | в возрастной группе от ассамблеи право |
| | | Size:mm | |
| | | Weight:kg | |
| NO. | NO.97-6 | | |
| Remarks: SHACMAN F3000 F2000 | | 6*4 | 8*4 |
| | | KD1679 | |
| | | Part No. | 81.41890.5059P |
| | | CH part name | 左前踏板支架总成 |
| | | EN part name | Bracket assembly left front |
| | | RU part name | в возрастной группе от ассамблеи, левый фронт |
| | | Size:mm | |
| | | Weight:kg | |
| NO. | NO.98-1 | | |
| Remarks: SHACMAN F3000 F2000 | | 6*4 | 8*4 |
| DZ1640240255 | | DZ1640240130 | |
| KD1680 | | KD1681 | |
| | Part No. | 81.41890.5168 | |
| | CH part name | 左后踏板支架总成 | |
| | EN part name | Bracket assembly left rear | |
| | RU part name | кронштейн акселератора | |
| | Size:mm | | |
| | Weight:kg | 4.3 | |
| | NO. | NO.98-3 | |
| Remarks: SHACMAN F3000 F2000 | | 6*4 | 8*4 |
| DZ1640240260 | | DZ1640240110 | |
| | Part No. | 81.41890.5061 | |
| | CH part name | 左前踏板支架总成 | |
| | EN part name | Bracket assembly left rear | |
| | RU part name | кронштейн акселератора | |
| | Size:mm | | |
| | Weight:kg | 4.15 | |
| | NO. | NO.98-1 | |
| Remarks: SHACMAN F3000 F2000 | | 6*4 | 8*4 |
| KD1682 | | KD1683 | |
| | Part No. | DZ1640240031 | |
| | CH part name | 左后踏板支架总成 | |
| | EN part name | Bracket assembly left rear | |
| | RU part name | кронштейн акселератора | |
| | Size:mm | | |
| | Weight:kg | 4.15 | |
| | NO. | NO.98-3 | |
| Remarks: SHACMAN F3000 F2000 | | 6*4 | 8*4 |
| DZ1640240245 | | | |
| | Part No. | 81.41890.5060 | |
| | CH part name | 右前脚踏板支架总成 | |
| | EN part name | Bracket assembly right rear | |
| | RU part name | кронштейн акселератора | |
| | Size:mm | | |
| | Weight:kg | 6.85 | |
| | NO. | NO.98-2 | |
| Remarks: SHACMAN F3000 F2000 | | 6*4 | 8*4 |
| DZ1640240245 | | | |

SHACMAN(1)

| | | | | | | | | | | | | | | | | | | | | | | | | | | | | | | | |
|---|--|--|----------------|--------------|-------------|--------------|-----------------------------|--------------|-----------------------------|---------|-------------|-----------|------|-----|------------------|---|--|----------|---------------|--------------|---------|--------------|-----------------------|--------------|------------------------|---------|-------------|-----------|------|-----|------------------|
|  | <table border="1"> <tr><td>Part No.</td><td>26013314030-80</td></tr> <tr><td>CH part name</td><td>传动轴吊架</td></tr> <tr><td>EN part name</td><td>Transmission hanger assy.</td></tr> <tr><td>RU part name</td><td>Промежуточная опора в сборе</td></tr> <tr><td>Size:mm</td><td></td></tr> <tr><td>Weight:kg</td><td>5</td></tr> <tr><td>NO.</td><td>NO.60-9</td></tr> </table> | Part No. | 26013314030-80 | CH part name | 传动轴吊架 | EN part name | Transmission hanger assy. | RU part name | Промежуточная опора в сборе | Size:mm | | Weight:kg | 5 | NO. | NO.60-9 |  | <table border="1"> <tr><td>Part No.</td><td>SZ940000017</td></tr> <tr><td>CH part name</td><td>前驱动桥总成</td></tr> <tr><td>EN part name</td><td>Front drive axle</td></tr> <tr><td>RU part name</td><td>передний привод ось</td></tr> <tr><td>Size:mm</td><td></td></tr> <tr><td>Weight:kg</td><td></td></tr> <tr><td>NO.</td><td>NO.61</td></tr> </table> | Part No. | SZ940000017 | CH part name | 前驱动桥总成 | EN part name | Front drive axle | RU part name | передний привод ось | Size:mm | | Weight:kg | | NO. | NO.61 |
| Part No. | 26013314030-80 | | | | | | | | | | | | | | | | | | | | | | | | | | | | | | |
| CH part name | 传动轴吊架 | | | | | | | | | | | | | | | | | | | | | | | | | | | | | | |
| EN part name | Transmission hanger assy. | | | | | | | | | | | | | | | | | | | | | | | | | | | | | | |
| RU part name | Промежуточная опора в сборе | | | | | | | | | | | | | | | | | | | | | | | | | | | | | | |
| Size:mm | | | | | | | | | | | | | | | | | | | | | | | | | | | | | | | |
| Weight:kg | 5 | | | | | | | | | | | | | | | | | | | | | | | | | | | | | | |
| NO. | NO.60-9 | | | | | | | | | | | | | | | | | | | | | | | | | | | | | | |
| Part No. | SZ940000017 | | | | | | | | | | | | | | | | | | | | | | | | | | | | | | |
| CH part name | 前驱动桥总成 | | | | | | | | | | | | | | | | | | | | | | | | | | | | | | |
| EN part name | Front drive axle | | | | | | | | | | | | | | | | | | | | | | | | | | | | | | |
| RU part name | передний привод ось | | | | | | | | | | | | | | | | | | | | | | | | | | | | | | |
| Size:mm | | | | | | | | | | | | | | | | | | | | | | | | | | | | | | | |
| Weight:kg | | | | | | | | | | | | | | | | | | | | | | | | | | | | | | | |
| NO. | NO.61 | | | | | | | | | | | | | | | | | | | | | | | | | | | | | | |
| Remarks: SHACMAN F3000 F2000 X3000 M3000 | | Remarks: SHACMAN F3000 F2000 X3000 M3000 | | | | | | | | | | | | | | | | | | | | | | | | | | | | | |
|  | <table border="1"> <tr><td>Part No.</td><td>DZ9000410039</td></tr> <tr><td>CH part name</td><td>前驱动桥转向节左</td></tr> <tr><td>EN part name</td><td>Steering knuckle assy.</td></tr> <tr><td>RU part name</td><td>Поворотный кулак в сборе</td></tr> <tr><td>Size:mm</td><td>350*270*170</td></tr> <tr><td>Weight:kg</td><td>22.5</td></tr> <tr><td>NO.</td><td>NO.61-13</td></tr> </table> | Part No. | DZ9000410039 | CH part name | 前驱动桥转向节左 | EN part name | Steering knuckle assy. | RU part name | Поворотный кулак в сборе | Size:mm | 350*270*170 | Weight:kg | 22.5 | NO. | NO.61-13 |  | <table border="1"> <tr><td>Part No.</td><td>199100410007</td></tr> <tr><td>CH part name</td><td>前轴叉</td></tr> <tr><td>EN part name</td><td>The front fork</td></tr> <tr><td>RU part name</td><td>передняя вилка</td></tr> <tr><td>Size:mm</td><td>350*270*170</td></tr> <tr><td>Weight:kg</td><td>19</td></tr> <tr><td>NO.</td><td>NO.61-30</td></tr> </table> | Part No. | 199100410007 | CH part name | 前轴叉 | EN part name | The front fork | RU part name | передняя вилка | Size:mm | 350*270*170 | Weight:kg | 19 | NO. | NO.61-30 |
| Part No. | DZ9000410039 | | | | | | | | | | | | | | | | | | | | | | | | | | | | | | |
| CH part name | 前驱动桥转向节左 | | | | | | | | | | | | | | | | | | | | | | | | | | | | | | |
| EN part name | Steering knuckle assy. | | | | | | | | | | | | | | | | | | | | | | | | | | | | | | |
| RU part name | Поворотный кулак в сборе | | | | | | | | | | | | | | | | | | | | | | | | | | | | | | |
| Size:mm | 350*270*170 | | | | | | | | | | | | | | | | | | | | | | | | | | | | | | |
| Weight:kg | 22.5 | | | | | | | | | | | | | | | | | | | | | | | | | | | | | | |
| NO. | NO.61-13 | | | | | | | | | | | | | | | | | | | | | | | | | | | | | | |
| Part No. | 199100410007 | | | | | | | | | | | | | | | | | | | | | | | | | | | | | | |
| CH part name | 前轴叉 | | | | | | | | | | | | | | | | | | | | | | | | | | | | | | |
| EN part name | The front fork | | | | | | | | | | | | | | | | | | | | | | | | | | | | | | |
| RU part name | передняя вилка | | | | | | | | | | | | | | | | | | | | | | | | | | | | | | |
| Size:mm | 350*270*170 | | | | | | | | | | | | | | | | | | | | | | | | | | | | | | |
| Weight:kg | 19 | | | | | | | | | | | | | | | | | | | | | | | | | | | | | | |
| NO. | NO.61-30 | | | | | | | | | | | | | | | | | | | | | | | | | | | | | | |
| Remarks: SHACMAN F3000 F2000 X3000 M3000 8*4 DZ9100410040 | | Remarks: SHACMAN F3000 F2000 X3000 M3000 8*4 | | | | | | | | | | | | | | | | | | | | | | | | | | | | | |
|  | <table border="1"> <tr><td>Part No.</td><td>DZ91149320000Z</td></tr> <tr><td>CH part name</td><td>前驱动中段i=5.75</td></tr> <tr><td>EN part name</td><td>In the middle of the bridge</td></tr> <tr><td>RU part name</td><td>В середине моста</td></tr> <tr><td>Size:mm</td><td>450*450*550</td></tr> <tr><td>Weight:kg</td><td>115</td></tr> <tr><td>NO.</td><td>A34</td></tr> </table> | Part No. | DZ91149320000Z | CH part name | 前驱动中段i=5.75 | EN part name | In the middle of the bridge | RU part name | В середине моста | Size:mm | 450*450*550 | Weight:kg | 115 | NO. | A34 |  | <table border="1"> <tr><td>Part No.</td><td>199000410039X</td></tr> <tr><td>CH part name</td><td>前驱动桥修理包</td></tr> <tr><td>EN part name</td><td>Drive axle repair kit</td></tr> <tr><td>RU part name</td><td>ремонт пакет диск мост</td></tr> <tr><td>Size:mm</td><td>150*200*100</td></tr> <tr><td>Weight:kg</td><td>7.9</td></tr> <tr><td>NO.</td><td>NO.A61</td></tr> </table> | Part No. | 199000410039X | CH part name | 前驱动桥修理包 | EN part name | Drive axle repair kit | RU part name | ремонт пакет диск мост | Size:mm | 150*200*100 | Weight:kg | 7.9 | NO. | NO.A61 |
| Part No. | DZ91149320000Z | | | | | | | | | | | | | | | | | | | | | | | | | | | | | | |
| CH part name | 前驱动中段i=5.75 | | | | | | | | | | | | | | | | | | | | | | | | | | | | | | |
| EN part name | In the middle of the bridge | | | | | | | | | | | | | | | | | | | | | | | | | | | | | | |
| RU part name | В середине моста | | | | | | | | | | | | | | | | | | | | | | | | | | | | | | |
| Size:mm | 450*450*550 | | | | | | | | | | | | | | | | | | | | | | | | | | | | | | |
| Weight:kg | 115 | | | | | | | | | | | | | | | | | | | | | | | | | | | | | | |
| NO. | A34 | | | | | | | | | | | | | | | | | | | | | | | | | | | | | | |
| Part No. | 199000410039X | | | | | | | | | | | | | | | | | | | | | | | | | | | | | | |
| CH part name | 前驱动桥修理包 | | | | | | | | | | | | | | | | | | | | | | | | | | | | | | |
| EN part name | Drive axle repair kit | | | | | | | | | | | | | | | | | | | | | | | | | | | | | | |
| RU part name | ремонт пакет диск мост | | | | | | | | | | | | | | | | | | | | | | | | | | | | | | |
| Size:mm | 150*200*100 | | | | | | | | | | | | | | | | | | | | | | | | | | | | | | |
| Weight:kg | 7.9 | | | | | | | | | | | | | | | | | | | | | | | | | | | | | | |
| NO. | NO.A61 | | | | | | | | | | | | | | | | | | | | | | | | | | | | | | |
| Remarks: SHACMAN F3000 F2000 X3000 M3000 8*4 i=6.72/4.8/7.49/8.40/9.494 | | Remarks: SHACMAN F3000 F2000 X3000 M3000 8*4 | | | | | | | | | | | | | | | | | | | | | | | | | | | | | |
|  | <table border="1"> <tr><td>Part No.</td><td>199100410009</td></tr> <tr><td>CH part name</td><td>轴套</td></tr> <tr><td>EN part name</td><td>axle sleeve</td></tr> <tr><td>RU part name</td><td>ось рукав</td></tr> <tr><td>Size:mm</td><td></td></tr> <tr><td>Weight:kg</td><td>0.85</td></tr> <tr><td>NO.</td><td>NO.A61-28</td></tr> </table> | Part No. | 199100410009 | CH part name | 轴套 | EN part name | axle sleeve | RU part name | ось рукав | Size:mm | | Weight:kg | 0.85 | NO. | NO.A61-28 |  | <table border="1"> <tr><td>Part No.</td><td>199100410002</td></tr> <tr><td>CH part name</td><td>衬套</td></tr> <tr><td>EN part name</td><td>bushing</td></tr> <tr><td>RU part name</td><td>питания</td></tr> <tr><td>Size:mm</td><td></td></tr> <tr><td>Weight:kg</td><td>0.15</td></tr> <tr><td>NO.</td><td>NO.A61-26</td></tr> </table> | Part No. | 199100410002 | CH part name | 衬套 | EN part name | bushing | RU part name | питания | Size:mm | | Weight:kg | 0.15 | NO. | NO.A61-26 |
| Part No. | 199100410009 | | | | | | | | | | | | | | | | | | | | | | | | | | | | | | |
| CH part name | 轴套 | | | | | | | | | | | | | | | | | | | | | | | | | | | | | | |
| EN part name | axle sleeve | | | | | | | | | | | | | | | | | | | | | | | | | | | | | | |
| RU part name | ось рукав | | | | | | | | | | | | | | | | | | | | | | | | | | | | | | |
| Size:mm | | | | | | | | | | | | | | | | | | | | | | | | | | | | | | | |
| Weight:kg | 0.85 | | | | | | | | | | | | | | | | | | | | | | | | | | | | | | |
| NO. | NO.A61-28 | | | | | | | | | | | | | | | | | | | | | | | | | | | | | | |
| Part No. | 199100410002 | | | | | | | | | | | | | | | | | | | | | | | | | | | | | | |
| CH part name | 衬套 | | | | | | | | | | | | | | | | | | | | | | | | | | | | | | |
| EN part name | bushing | | | | | | | | | | | | | | | | | | | | | | | | | | | | | | |
| RU part name | питания | | | | | | | | | | | | | | | | | | | | | | | | | | | | | | |
| Size:mm | | | | | | | | | | | | | | | | | | | | | | | | | | | | | | | |
| Weight:kg | 0.15 | | | | | | | | | | | | | | | | | | | | | | | | | | | | | | |
| NO. | NO.A61-26 | | | | | | | | | | | | | | | | | | | | | | | | | | | | | | |
| Remarks: SHACMAN F3000 F2000 X3000 M3000 8*4 | | Remarks: SHACMAN F3000 F2000 X3000 M3000 8*4 | | | | | | | | | | | | | | | | | | | | | | | | | | | | | |

SHACMAN(1)

| Front drive axle | | NO.61 | Front drive axle | | NO.A61 |
|---|------------------|---|---|-----------------|---|
|  | | |  | | |
| KD1117 | | | KD1118 | | |
|  | Part No. | 199000410031/32 |  | Part No. | 188000410049 |
| | CH part name | 转向横拉杆臂总成(L/R) | | CH part name | 压力滚柱轴承 |
| | EN part name | Steering tie rod arm assembly (left)(right) | | EN part name | Bearing |
| | RU part name | руководящий галстук род руку ассамблеи | | RU part name | Поверните подшипник давления |
| | Size:mm | | | Size:mm | 77*47*22 |
| | Weight:kg | 1.2 | | Weight:kg | 0.4 |
| NO. | NO.A61-11 | | NO. | NO.A61-3 | |
| Remarks: SHACMAN F3000 F2000 X3000 M3000 8*4 DZ9100430024横拉杆 | | | Remarks: SHACMAN F3000 F2000 X3000 M3000 8*4 6*4 | | |
| KD1119 | | | KD1120 | | |
|  | Part No. | 6311/C3 GB/T276-94 |  | Part No. | HD91009420006 |
| | CH part name | 带密封圈深沟球轴承 | | CH part name | 等速万向节总成 |
| | EN part name | Bearing | | EN part name | Constant velocity universal joint |
| | RU part name | принимая | | RU part name | с постоянной скоростью карданная передача |
| | Size:mm | | | Size:mm | |
| | Weight:kg | 0.4 | | Weight:kg | 21.8 |
| NO. | NO.A61-33 | | NO. | NO.61 | |
| Remarks: SHACMAN F3000 F2000 X3000 M3000 8*4 190003311467 | | | Remarks: SHACMAN F3000 F2000 X3000 M3000 8*4 | | |