









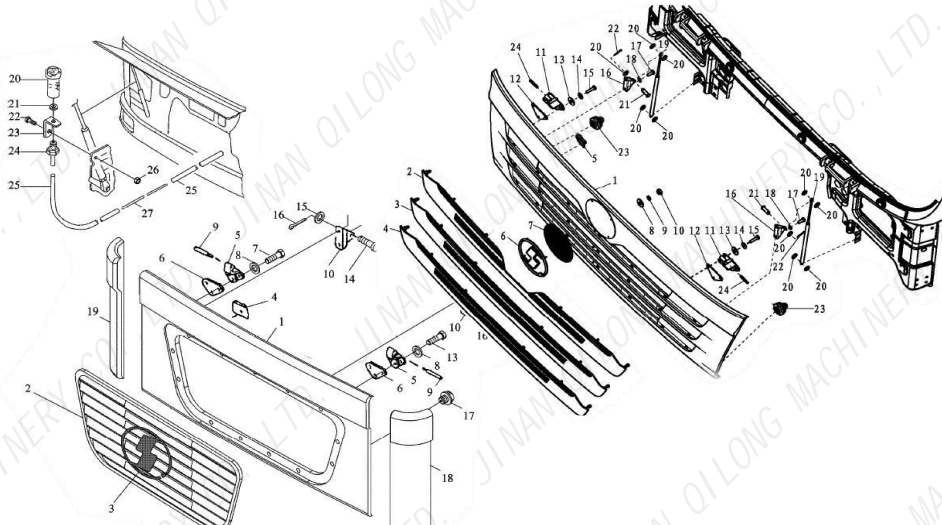






SHACMAN(1)

KD1695		KD1696	
	Part No. 81.66410.0101		Part No. DH0163.420201
	CH part name 带内衬的半园挡泥板		CH part name 基本型驾驶室总成
	EN part name Rear fender		EN part name Basic semi-high roof cabin
	RU part name заднее крыло		RU part name Основные полу-высокой крышей кабины
	Size:mm		Size:mm 2450*2000*2350
	Weight:kg 4.8		Weight:kg 750
	NO. NO.99-5		NO.
Remarks: SHACMAN F3000 F2000		Remarks: SHACMAN F3000 6*4 8*4 MAN	
KD1697		KD1698	
	Part No. DC016310003011B		Part No. DC132411007021Q
	CH part name 基本型左置驾驶室总成		CH part name 中长加宽半高顶驾驶室
	EN part name Basic semi-high roof cabin		EN part name Basic semi-high roof cabin
	RU part name Основные полу-высокой крышей кабины		RU part name Основные полу-высокой крышей кабины
	Size:mm 2450*2000*2350		Size:mm 2450*2000*2350
	Weight:kg 750		Weight:kg 750
	NO.		NO.
Remarks: SHACMAN F2000 6*4 8*4 MAN		Remarks: SHACMAN F3000 6*4 8*4 MAN	
KD1699		KD1700	
	Part No. FDH132432H0510U28		Part No. FDH132432H0510U28
	CH part name 高顶驾驶室		CH part name 高顶驾驶室总成
	EN part name Basic semi-high roof cabin		EN part name Basic semi-high roof cabin
	RU part name Основные полу-высокой крышей кабины		RU part name Основные полу-высокой крышей кабины
	Size:mm		Size:mm
	Weight:kg 810		Weight:kg 810
	NO.		NO.
Remarks: SHACMAN F3000 6*4 8*4 MAN		Remarks: SHACMAN F2000 6*4 8*4 MAN	
KD1701		KD1702	
	Part No. DC016310003011BZ		Part No. DZ13241180100
	CH part name 基本型右置驾驶室总成		CH part name 驾驶室本体
	EN part name Basic semi-high roof cabin		EN part name CAB NOUMENON
	RU part name Основные полу-высокой крышей кабины		RU part name вещь в себе такси
	Size:mm 2450*2000*2350		Size:mm 2450*2000*2350
	Weight:kg 750		Weight:kg 560
	NO.		NO.
Remarks: SHACMAN F2000 6*4 8*4 MAN		Remarks: SHACMAN F3000 F2000	

SHACMAN(1)

	<p>KD1703</p> <table border="1"> <tr><td>Part No.</td><td>FDH0163.430201M01</td></tr> <tr><td>CH part name</td><td>高顶驾驶室本体</td></tr> <tr><td>EN part name</td><td>Standard half high roof cab</td></tr> <tr><td>RU part name</td><td>стандарт половину высокого крышу такси</td></tr> <tr><td>Size:mm</td><td></td></tr> <tr><td>Weight:kg</td><td>610</td></tr> <tr><td>NO.</td><td></td></tr> </table>	Part No.	FDH0163.430201M01	CH part name	高顶驾驶室本体	EN part name	Standard half high roof cab	RU part name	стандарт половину высокого крышу такси	Size:mm		Weight:kg	610	NO.			<p>KD1704</p> <table border="1"> <tr><td>Part No.</td><td>81.62941.0059</td></tr> <tr><td>CH part name</td><td>顶盖总成</td></tr> <tr><td>EN part name</td><td>Roof assembly</td></tr> <tr><td>RU part name</td><td>решения Ассамблеи</td></tr> <tr><td>Size:mm</td><td></td></tr> <tr><td>Weight:kg</td><td>1.9</td></tr> <tr><td>NO.</td><td></td></tr> </table>	Part No.	81.62941.0059	CH part name	顶盖总成	EN part name	Roof assembly	RU part name	решения Ассамблеи	Size:mm		Weight:kg	1.9	NO.	
Part No.	FDH0163.430201M01																														
CH part name	高顶驾驶室本体																														
EN part name	Standard half high roof cab																														
RU part name	стандарт половину высокого крышу такси																														
Size:mm																															
Weight:kg	610																														
NO.																															
Part No.	81.62941.0059																														
CH part name	顶盖总成																														
EN part name	Roof assembly																														
RU part name	решения Ассамблеи																														
Size:mm																															
Weight:kg	1.9																														
NO.																															
Remarks: SHACMAN F3000 F2000		Remarks: SHACMAN F3000 F2000																													
	<p>KD1705</p> <table border="1"> <tr><td>Part No.</td><td>81.25425.6002</td></tr> <tr><td>CH part name</td><td>驾驶室前线束保护罩</td></tr> <tr><td>EN part name</td><td>Covering assembly</td></tr> <tr><td>RU part name</td><td>электропроводка защитного покрытия</td></tr> <tr><td>Size:mm</td><td></td></tr> <tr><td>Weight:kg</td><td>0.3</td></tr> <tr><td>NO.</td><td></td></tr> </table>	Part No.	81.25425.6002	CH part name	驾驶室前线束保护罩	EN part name	Covering assembly	RU part name	электропроводка защитного покрытия	Size:mm		Weight:kg	0.3	NO.			<p>KD1706</p> <table border="1"> <tr><td>Part No.</td><td>DZ1642110044</td></tr> <tr><td>CH part name</td><td>散热器面罩</td></tr> <tr><td>EN part name</td><td>Radiator cover</td></tr> <tr><td>RU part name</td><td>Панель передняя кабины</td></tr> <tr><td>Size:mm</td><td>2200*750*80</td></tr> <tr><td>Weight:kg</td><td>19</td></tr> <tr><td>NO.</td><td>NO.100-1</td></tr> </table>	Part No.	DZ1642110044	CH part name	散热器面罩	EN part name	Radiator cover	RU part name	Панель передняя кабины	Size:mm	2200*750*80	Weight:kg	19	NO.	NO.100-1
Part No.	81.25425.6002																														
CH part name	驾驶室前线束保护罩																														
EN part name	Covering assembly																														
RU part name	электропроводка защитного покрытия																														
Size:mm																															
Weight:kg	0.3																														
NO.																															
Part No.	DZ1642110044																														
CH part name	散热器面罩																														
EN part name	Radiator cover																														
RU part name	Панель передняя кабины																														
Size:mm	2200*750*80																														
Weight:kg	19																														
NO.	NO.100-1																														
Remarks: SHACMAN F3000 F2000		Remarks: SHACMAN F3000 F2000																													
	<p>KD1707</p> <table border="1"> <tr><td>Part No.</td><td>81.92501.0029</td></tr> <tr><td>CH part name</td><td>散热器面罩夹箍</td></tr> <tr><td>EN part name</td><td>Clamp</td></tr> <tr><td>RU part name</td><td>зажим</td></tr> <tr><td>Size:mm</td><td></td></tr> <tr><td>Weight:kg</td><td>0.01</td></tr> <tr><td>NO.</td><td>NO.100-4</td></tr> </table>	Part No.	81.92501.0029	CH part name	散热器面罩夹箍	EN part name	Clamp	RU part name	зажим	Size:mm		Weight:kg	0.01	NO.	NO.100-4		<p>KD1708</p> <table border="1"> <tr><td>Part No.</td><td>DZ13241930033</td></tr> <tr><td>CH part name</td><td>陕汽标志</td></tr> <tr><td>EN part name</td><td>Symbol</td></tr> <tr><td>RU part name</td><td>Эмблема</td></tr> <tr><td>Size:mm</td><td>240*20</td></tr> <tr><td>Weight:kg</td><td>0.09</td></tr> <tr><td>NO.</td><td>NO.100-3</td></tr> </table>	Part No.	DZ13241930033	CH part name	陕汽标志	EN part name	Symbol	RU part name	Эмблема	Size:mm	240*20	Weight:kg	0.09	NO.	NO.100-3
Part No.	81.92501.0029																														
CH part name	散热器面罩夹箍																														
EN part name	Clamp																														
RU part name	зажим																														
Size:mm																															
Weight:kg	0.01																														
NO.	NO.100-4																														
Part No.	DZ13241930033																														
CH part name	陕汽标志																														
EN part name	Symbol																														
RU part name	Эмблема																														
Size:mm	240*20																														
Weight:kg	0.09																														
NO.	NO.100-3																														
Remarks: SHACMAN F3000 F2000 X3000 M3000		Remarks: SHACMAN F3000 F2000 X3000 M3000																													
	<p>KD1709</p> <table border="1"> <tr><td>Part No.</td><td>81.62440.0031</td></tr> <tr><td>CH part name</td><td>黑色铰链</td></tr> <tr><td>EN part name</td><td>Hinge black</td></tr> <tr><td>RU part name</td><td>петли черный</td></tr> <tr><td>Size:mm</td><td></td></tr> <tr><td>Weight:kg</td><td>0.56</td></tr> <tr><td>NO.</td><td>NO.100-5</td></tr> </table>	Part No.	81.62440.0031	CH part name	黑色铰链	EN part name	Hinge black	RU part name	петли черный	Size:mm		Weight:kg	0.56	NO.	NO.100-5		<p>KD1710</p> <table border="1"> <tr><td>Part No.</td><td>DZ13241110011</td></tr> <tr><td>CH part name</td><td>散热器面罩总成</td></tr> <tr><td>EN part name</td><td>Radiator cover</td></tr> <tr><td>RU part name</td><td>Панель передняя кабины</td></tr> <tr><td>Size:mm</td><td>2200*750*80</td></tr> <tr><td>Weight:kg</td><td>16.3</td></tr> <tr><td>NO.</td><td>NO.100-1</td></tr> </table>	Part No.	DZ13241110011	CH part name	散热器面罩总成	EN part name	Radiator cover	RU part name	Панель передняя кабины	Size:mm	2200*750*80	Weight:kg	16.3	NO.	NO.100-1
Part No.	81.62440.0031																														
CH part name	黑色铰链																														
EN part name	Hinge black																														
RU part name	петли черный																														
Size:mm																															
Weight:kg	0.56																														
NO.	NO.100-5																														
Part No.	DZ13241110011																														
CH part name	散热器面罩总成																														
EN part name	Radiator cover																														
RU part name	Панель передняя кабины																														
Size:mm	2200*750*80																														
Weight:kg	16.3																														
NO.	NO.100-1																														
Remarks: SHACMAN F3000 F2000		Remarks: SHACMAN F3000																													



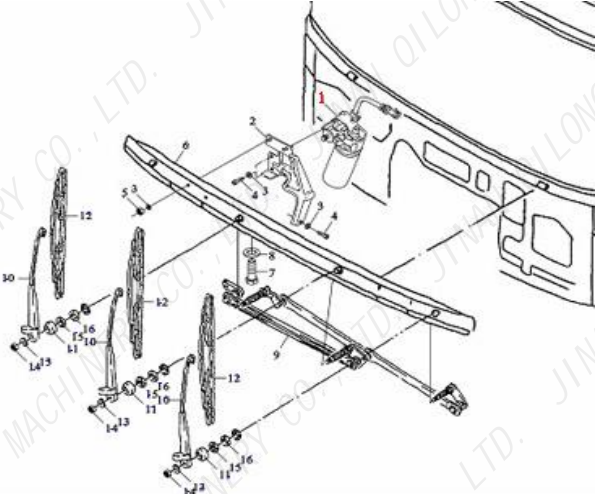




SHACMAN(1)

RADIATOR GRILLE AND VACUUM/INDICATOR		NO.100	
	KD1711		
			
	Part No.	81.90201.0163	
	CH part name	铰链销	
	EN part name	Hinge pin	
	RU part name	петель	
	Size:mm		
	Weight:kg	0.02	
	NO.	NO.100-9	
	Remarks:SHACMAN F3000 F2000 X3000 M3000		
KD1712			
			
Part No.	81.62440.0023		
CH part name	气弹簧支架		
EN part name	Hinge black		
RU part name	петли черный		
Size:mm			
Weight:kg	0.05		
NO.	NO.100-10		
Remarks:SHACMAN F3000 F2000 X3000 M3000			
KD1713			
			
Part No.	DZ13241110033		
CH part name	面罩气压弹簧		
EN part name	Spring		
RU part name	Пружина		
Size:mm	650*20*20		
Weight:kg	0.2		
NO.	NO.100-13		
Remarks: SHACMAN F3000 F2000 X3000 M3000 81.74821.0095			
KD1714			
			
Part No.	81.62410.2225		
CH part name	左前侧盖板		
EN part name	Front right side plate		
RU part name	Обтекатель кабины правый		
Size:mm	755*250*110		
Weight:kg	1.85		
NO.	NO.100-18		
Remarks: SHACMAN F2000			
KD1715			
			
Part No.	81.62410.2224		
CH part name	右前侧盖板		
EN part name	Front right side plate		
RU part name	Обтекатель кабины правый		
Size:mm	755*250*110		
Weight:kg	1.85		
NO.	NO.100-19		
Remarks: SHACMAN F2000			
KD1716			
			
Part No.	DZ13241870027		
CH part name	导流罩内板左		
EN part name	Left inner plate		
RU part name	левой внутренней плита		
Size:mm			
Weight:kg	1.35		
NO.	NO.100-2		
Remarks: SHACMAN F3000			

SHACMAN(1)

KD1717			KD1718		
	Part No.	DZ13241870012		Part No.	DZ13241870028
	CH part name	导流罩右		CH part name	导流罩内板右
	EN part name	Front right side plate		EN part name	Flow guiding cover inner plate
	RU part name	Обтекатель кабины правый		RU part name	левой внутренней плата
	Size:mm			Size:mm	
	Weight:kg	0.6		Weight:kg	1.35
	NO.	NO.100-14		NO.	NO.100-5
Remarks: SHACMAN F3000			Remarks: SHACMAN F3000		
KD1719			KD1720		
	Part No.	DZ13241870011		Part No.	DZ1642110060
	CH part name	导流罩左		CH part name	散热器护栅
	EN part name	Front right side plate		EN part name	Radiator grille
	RU part name	Обтекатель кабины правый		RU part name	Решетка радиатора
	Size:mm			Size:mm	1650*450*5
	Weight:kg	0.6		Weight:kg	2.3
	NO.	NO.100-1		NO.	NO.100-2
Remarks: SHACMAN F3000			Remarks: SHACMAN F2000		
KD1721			KD1722		
	Part No.	DZ13241110014		Part No.	DZ13241110012
	CH part name	格栅下		CH part name	格栅上
	EN part name	Grid		EN part name	Grid
	RU part name	решеткой		RU part name	решеткой
	Size:mm			Size:mm	
	Weight:kg	0.43		Weight:kg	0.43
	NO.	NO.100-4		NO.	NO.100-2
Remarks: SHACMAN F3000			Remarks: SHACMAN F3000		
KD1723			KD1724		
	Part No.	DZ13241110013		Part No.	81.26401.6130
	CH part name	格栅中		CH part name	雨刮电机2L
	EN part name	Grid		EN part name	Wiper motor
	RU part name	решеткой		RU part name	Моторчик стеклоочистителя
	Size:mm			Size:mm	220*140*53
	Weight:kg	0.43		Weight:kg	2.35
	NO.	NO.100-3		NO.	NO.101-1
Remarks: SHACMAN F3000			Remarks: SHACMAN F3000 F2000 81.26401.6134		

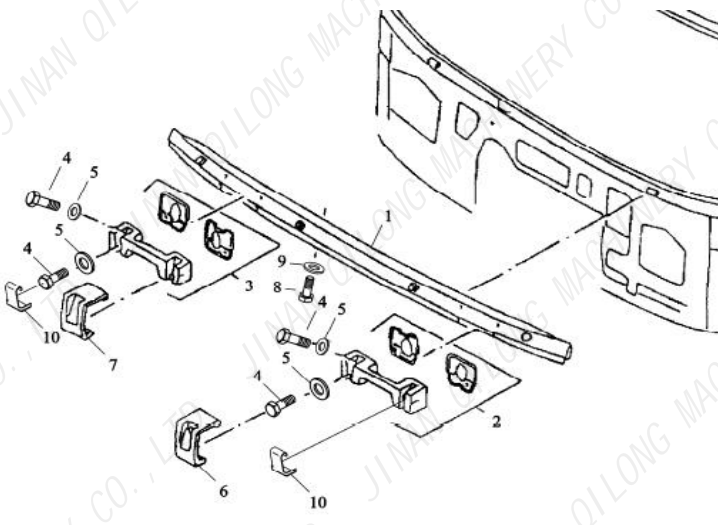






SHACMAN(1)

	<table border="1"> <tr><td>Part No.</td><td>DZ14251740010</td></tr> <tr><td>CH part name</td><td>雨刮电机</td></tr> <tr><td>EN part name</td><td>Wiper motor</td></tr> <tr><td>RU part name</td><td>Моторчик стеклоочистителя</td></tr> <tr><td>Size:mm</td><td></td></tr> <tr><td>Weight:kg</td><td>2</td></tr> <tr><td>NO.</td><td>NO.101-1</td></tr> </table>	Part No.	DZ14251740010	CH part name	雨刮电机	EN part name	Wiper motor	RU part name	Моторчик стеклоочистителя	Size:mm		Weight:kg	2	NO.	NO.101-1		<table border="1"> <tr><td>Part No.</td><td>DZ15221740009</td></tr> <tr><td>CH part name</td><td>雨刮电机</td></tr> <tr><td>EN part name</td><td>Wiper motor</td></tr> <tr><td>RU part name</td><td>Моторчик стеклоочистителя</td></tr> <tr><td>Size:mm</td><td></td></tr> <tr><td>Weight:kg</td><td>2</td></tr> <tr><td>NO.</td><td>NO.101-1</td></tr> </table>	Part No.	DZ15221740009	CH part name	雨刮电机	EN part name	Wiper motor	RU part name	Моторчик стеклоочистителя	Size:mm		Weight:kg	2	NO.	NO.101-1
Part No.	DZ14251740010																														
CH part name	雨刮电机																														
EN part name	Wiper motor																														
RU part name	Моторчик стеклоочистителя																														
Size:mm																															
Weight:kg	2																														
NO.	NO.101-1																														
Part No.	DZ15221740009																														
CH part name	雨刮电机																														
EN part name	Wiper motor																														
RU part name	Моторчик стеклоочистителя																														
Size:mm																															
Weight:kg	2																														
NO.	NO.101-1																														
Remarks: SHACMAN X3000		Remarks: SHACMAN新M3000																													
Windshield wiper motor. NO.101																															
		<table border="1"> <tr><td>Part No.</td><td>81.26450.5035</td></tr> <tr><td>CH part name</td><td>雨刮电机支架</td></tr> <tr><td>EN part name</td><td>Wiper motor bracket</td></tr> <tr><td>RU part name</td><td>Механизм крепления стеклоочистителя</td></tr> <tr><td>Size:mm</td><td>350*250*50</td></tr> <tr><td>Weight:kg</td><td>0.8</td></tr> <tr><td>NO.</td><td>NO.101-2</td></tr> </table>	Part No.	81.26450.5035	CH part name	雨刮电机支架	EN part name	Wiper motor bracket	RU part name	Механизм крепления стеклоочистителя	Size:mm	350*250*50	Weight:kg	0.8	NO.	NO.101-2															
Part No.	81.26450.5035																														
CH part name	雨刮电机支架																														
EN part name	Wiper motor bracket																														
RU part name	Механизм крепления стеклоочистителя																														
Size:mm	350*250*50																														
Weight:kg	0.8																														
NO.	NO.101-2																														
Remarks: SHACMAN F3000 F2000		Remarks: SHACMAN F3000 F2000																													
	<table border="1"> <tr><td>Part No.</td><td>81.26430.0113</td></tr> <tr><td>CH part name</td><td>雨刷臂</td></tr> <tr><td>EN part name</td><td>Wiper arm</td></tr> <tr><td>RU part name</td><td>Рычаг стеклоочистителя в сборе</td></tr> <tr><td>Size:mm</td><td>610*33*3</td></tr> <tr><td>Weight:kg</td><td>0.35</td></tr> <tr><td>NO.</td><td>NO.101-10</td></tr> </table>	Part No.	81.26430.0113	CH part name	雨刷臂	EN part name	Wiper arm	RU part name	Рычаг стеклоочистителя в сборе	Size:mm	610*33*3	Weight:kg	0.35	NO.	NO.101-10		<table border="1"> <tr><td>Part No.</td><td>81.26411.6093</td></tr> <tr><td>CH part name</td><td>雨刷连动杆</td></tr> <tr><td>EN part name</td><td>Wiper linkage assy.</td></tr> <tr><td>RU part name</td><td>Трапеция стеклоочистителя</td></tr> <tr><td>Size:mm</td><td>750*150*100</td></tr> <tr><td>Weight:kg</td><td>3</td></tr> <tr><td>NO.</td><td>NO.101-9</td></tr> </table>	Part No.	81.26411.6093	CH part name	雨刷连动杆	EN part name	Wiper linkage assy.	RU part name	Трапеция стеклоочистителя	Size:mm	750*150*100	Weight:kg	3	NO.	NO.101-9
Part No.	81.26430.0113																														
CH part name	雨刷臂																														
EN part name	Wiper arm																														
RU part name	Рычаг стеклоочистителя в сборе																														
Size:mm	610*33*3																														
Weight:kg	0.35																														
NO.	NO.101-10																														
Part No.	81.26411.6093																														
CH part name	雨刷连动杆																														
EN part name	Wiper linkage assy.																														
RU part name	Трапеция стеклоочистителя																														
Size:mm	750*150*100																														
Weight:kg	3																														
NO.	NO.101-9																														
Remarks: SHACMAN F3000 F2000		Remarks: SHACMAN F3000 F2000																													
		<table border="1"> <tr><td>Part No.</td><td>81.26411.6090</td></tr> <tr><td>CH part name</td><td>刮水器连杆总成右置</td></tr> <tr><td>EN part name</td><td>Wiper linkage assy.</td></tr> <tr><td>RU part name</td><td>Трапеция стеклоочистителя</td></tr> <tr><td>Size:mm</td><td>750*150*100</td></tr> <tr><td>Weight:kg</td><td>3</td></tr> <tr><td>NO.</td><td>NO.101-9</td></tr> </table>	Part No.	81.26411.6090	CH part name	刮水器连杆总成右置	EN part name	Wiper linkage assy.	RU part name	Трапеция стеклоочистителя	Size:mm	750*150*100	Weight:kg	3	NO.	NO.101-9															
Part No.	81.26411.6090																														
CH part name	刮水器连杆总成右置																														
EN part name	Wiper linkage assy.																														
RU part name	Трапеция стеклоочистителя																														
Size:mm	750*150*100																														
Weight:kg	3																														
NO.	NO.101-9																														

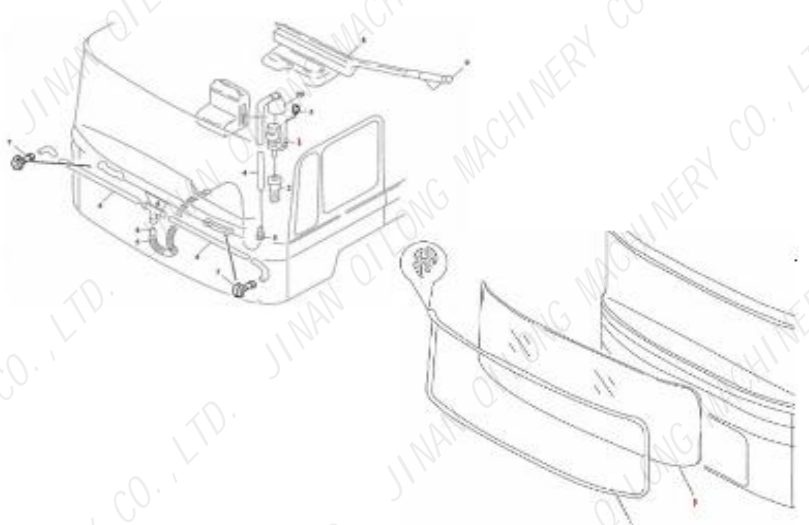






SHACMAN(1)

KD1731			KD1732		
	Part No.	81.26440.0038		Part No.	81.26430.0083
	CH part name	雨刷片		CH part name	雨刷臂右置
	EN part name	Wiper blade		EN part name	Wiper arm
	RU part name	Щетка стеклоочистителя		RU part name	Рычаг стеклоочистителя в сборе
	Size:mm	600*20*20		Size:mm	610*33*3
	Weight:kg	0.18		Weight:kg	0.35
	NO.	NO.101-12		NO.	NO.101-10
Remarks: SHACMAN F3000 F2000			Remarks: SHACMAN F3000 F2000		
KD1733			KD1734		
	Part No.	81.97001.5081		Part No.	81.62410.5031
	CH part name	左拉手总成		CH part name	加宽刮水器支架
	EN part name	Left handle assy.		EN part name	Wiper carrier wide
	RU part name	Левая ручка сборки		RU part name	перевозчик широко дворники
	Size:mm	280*80*60		Size:mm	
	Weight:kg	0.15		Weight:kg	0.89
	NO.	NO.102-2		NO.	NO.101-6
Remarks: SHACMAN F3000 F2000			Remarks: SHACMAN F3000 F2000		
KD1735			KD1736		
	Part No.	81.97001.5082		Part No.	81.97001.0499
	CH part name	右拉手总成		CH part name	拉手左盖
	EN part name	Right handle assy.		EN part name	Covering left
	RU part name	Левая ручка сборки		RU part name	на левой
	Size:mm	280*80*60		Size:mm	
	Weight:kg	0.15		Weight:kg	0.05
	NO.	NO.102-3		NO.	NO.102-6
Remarks: SHACMAN F3000 F2000			Remarks: SHACMAN F3000 F2000		
KD1737			KD1738		
	Part No.	81.26485.6030		Part No.	81.97001.0498
	CH part name	前挡风玻璃喷淋泵		CH part name	拉手右盖
	EN part name	Front windshield spray pump		EN part name	Covering right
	RU part name	Моторчик стеклоочистителя		RU part name	за право
	Size:mm	105*40*55		Size:mm	
	Weight:kg	0.1		Weight:kg	0.05
	NO.	NO.102-1		NO.	NO.102-7
Remarks: SHACMAN F3000 F2000			Remarks: SHACMAN F3000 F2000		

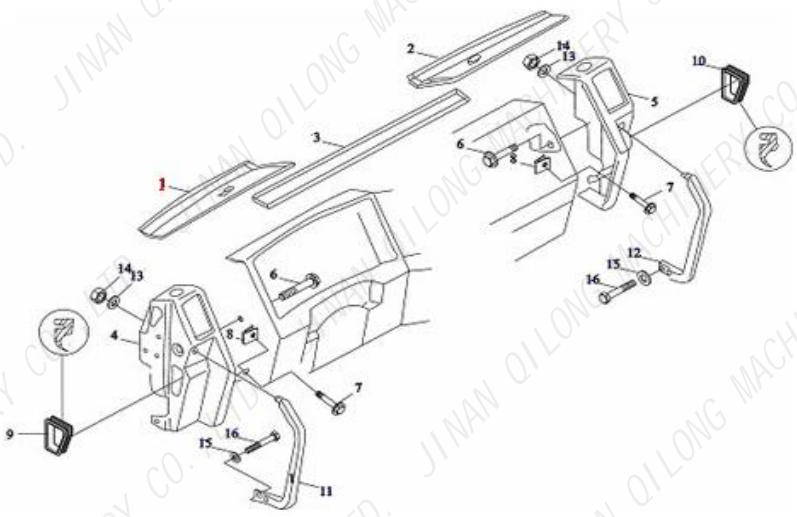
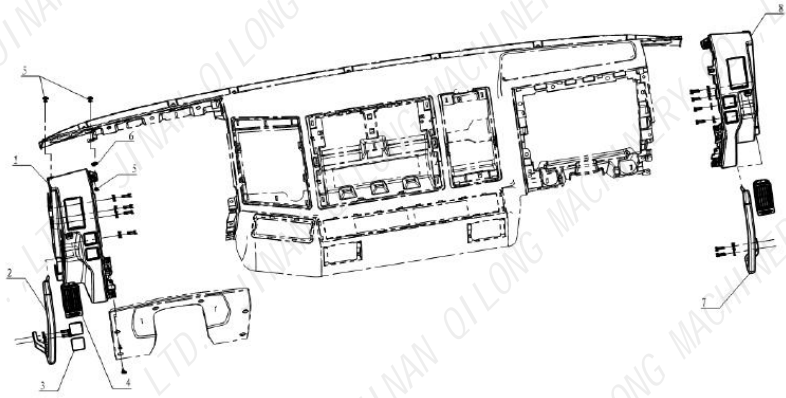




SHACMAN(1)

WIPER CARRIER WITH GRAB		NO.102													
		KD1739													
			<table border="1"> <tr><td>Part No.</td><td>81.97001.0501</td></tr> <tr><td>CH part name</td><td>拉手左帽</td></tr> <tr><td>EN part name</td><td>Covering left</td></tr> <tr><td>RU part name</td><td>на левой</td></tr> <tr><td>Size:mm</td><td></td></tr> <tr><td>Weight:kg</td><td>0.01</td></tr> <tr><td>NO.</td><td>NO.102-10</td></tr> </table>	Part No.	81.97001.0501	CH part name	拉手左帽	EN part name	Covering left	RU part name	на левой	Size:mm		Weight:kg	0.01
Part No.	81.97001.0501														
CH part name	拉手左帽														
EN part name	Covering left														
RU part name	на левой														
Size:mm															
Weight:kg	0.01														
NO.	NO.102-10														
Remarks: SHACMAN F3000 F2000															
		KD1740													
		<table border="1"> <tr><td>Part No.</td><td>81.97001.0500</td></tr> <tr><td>CH part name</td><td>拉手右帽</td></tr> <tr><td>EN part name</td><td>Covering right</td></tr> <tr><td>RU part name</td><td>за право</td></tr> <tr><td>Size:mm</td><td></td></tr> <tr><td>Weight:kg</td><td>0.01</td></tr> <tr><td>NO.</td><td>NO.102-10</td></tr> </table>	Part No.	81.97001.0500	CH part name	拉手右帽	EN part name	Covering right	RU part name	за право	Size:mm		Weight:kg	0.01	NO.
Part No.	81.97001.0500														
CH part name	拉手右帽														
EN part name	Covering right														
RU part name	за право														
Size:mm															
Weight:kg	0.01														
NO.	NO.102-10														
Remarks: SHACMAN F3000 F2000															
KD1741															
	Part No.	81.26481.6036													
	CH part name	驾驶室后蓄水器													
	EN part name	Water tank													
	RU part name	Бачок омывателя													
	Size:mm	1510*250*150													
	Weight:kg	1.36													
	NO.	NO.103-8													
Remarks: SHACMAN F3000 F2000															
KD1742															
	Part No.	91.26481.0026													
	CH part name	储水器盖													
	EN part name	Cover													
	RU part name	покрытия													
	Size:mm														
	Weight:kg	0.01													
	NO.	NO.103-9													
Remarks: SHACMAN F3000 F2000															
KD1743															
	Part No.	81.62450.0052													
	CH part name	挡风玻璃													
	EN part name	Windscreen													
	RU part name	лобовое стекло													
	Size:mm	2450*900*1													
	Weight:kg	30													
	NO.	NO.103-1													
Remarks: SHACMAN F3000 F2000															
KD1744															
	Part No.	81.26483.0001													
	CH part name	三通													
	EN part name	Distributor													
	RU part name	дистрибьютор													
	Size:mm														
	Weight:kg	0.01													
	NO.	NO.103-6													
Remarks: SHACMAN F3000 F2000															

SHACMAN(1)

WINDSCREEN WASHER PUMP AND/ACCESSORIES		NO.103			
	KD1745				
		Part No.	81.26482.0025		
		CH part name	挡风玻璃冲洗嘴		
		EN part name	Windscreen wash nozzle		
		RU part name	отмоешь Windscreen сопло		
		Size:mm			
		Weight:kg	0.01		
		NO.	NO.103-7		
	Remarks: SHACMAN F3000 F2000				
	KD1746				
	Part No.	81.96121.0056			
	CH part name	前挡风玻璃胶条			
	EN part name	Windshield seal strap			
	RU part name	Уплотнитель стекла лобового			
	Size:mm	2450*900*50			
	Weight:kg	4.2			
	NO.	NO.103-2			
Remarks: SHACMAN F3000 F2000					
KD1747		KD1748			
	Part No.	81.61701.5137			
	CH part name	左盖板总成			
	EN part name	Covering assembly left			
	RU part name	на ассамблее слева			
	Size:mm				
	Weight:kg	0.65			
	NO.	NO.104-1			
Remarks: SHACMAN F3000 F2000 DZ13241163100			Remarks: SHACMAN F3000 F2000		
KD1749		KD1750			
	Part No.	DZ13241162300			
	CH part name	左仪表板本体总成			
	EN part name	IP LH side assy			
	RU part name	IP LH стороне астрид			
	Size:mm				
	Weight:kg	1.05			
	NO.	NO.104-4 NO.A104-1			
Remarks: SHACMAN F3000 F2000 81.61701.5163			Remarks: SHACMAN F3000 F2000 81.61701.5162		
		Part No.	DZ13241162400		
		CH part name	右仪表板本体总成		
		EN part name	IP RH side assy		
		RU part name	IP - ов стороне астрид		
		Size:mm			
		Weight:kg	1.05		
		NO.	NO.104-5 NO.A104-8		

SHACMAN(1)

HAND GRIPER/F2000		NO.104	HAND GRIPER/F3000		NO.A104
					
KD1751			KD1752		
	Part No.	81.61701.5164		Part No.	81.61701.5165
	CH part name	右上车扶手		CH part name	左上车扶手
	EN part name	Handhold right		EN part name	Handhold left
	RU part name	поручня право		RU part name	поручня слева
	Size:mm			Size:mm	
	Weight:kg	0.4		Weight:kg	0.4
	NO.	NO.104-12 NO.A104-7		NO.	NO.104-11 NO.A104-2
Remarks: SHACMAN F3000 F2000			Remarks: SHACMAN F3000 F2000		
KD1753			KD1754		
	Part No.	81.61701.0119		Part No.	81.61701.5169
	CH part name	左上护盖		CH part name	中间护面
	EN part name	Covering upper		EN part name	Center part assembly
	RU part name	на верхней		RU part name	центр в рамках ассамблеи
	Size:mm			Size:mm	
	Weight:kg	0.56		Weight:kg	1.05
	NO.	NO.105-6		NO.	NO.A105-10
Remarks: SHACMAN F3000 F2000			Remarks: SHACMAN F2000 81.61701.5170右置		

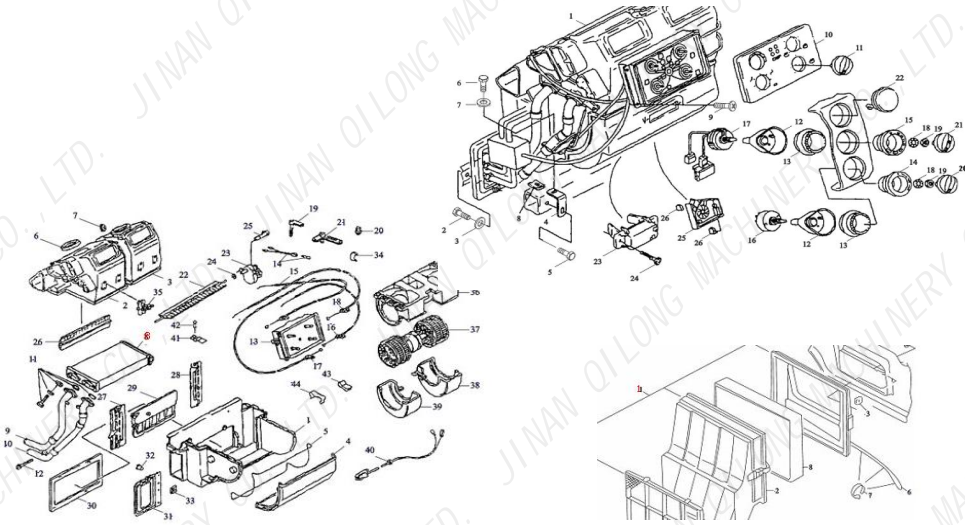






SHACMAN(1)

DASHBOARD/F3000			NO.105			DASHBOARD			NO.A105		
KD1755						KD1756					
			Part No.			81.61701.6178					
			CH part name			电器箱盖总成					
			EN part name			fuse-box cover plate					
			RU part name			щиток накладка					
			Size:mm								
			Weight:kg			0.26					
NO.			NO.A105-29			Part No.			DZ13241162801		
CH part name			电器箱盖			EN part name			fuse-box cover plate		
RU part name			щиток накладка			Size:mm					
Weight:kg			0.27			NO.			NO.105-19		
Remarks: SHACMAN F2000						Remarks: SHACMAN F3000 F2000 DZ13241162800					
KD1757						KD1758					
			Part No.			DZ13241162051					
			CH part name			仪表板本体					
			EN part name			dashboard					
			RU part name			приборная панель					
			Size:mm								
			Weight:kg			12					
NO.			NO.105-27			Part No.			DZ13241162015		
CH part name			中间装饰板带储物盒总成			EN part name			center plate W box assy		
RU part name			центр знака W коробку, астрид			Size:mm					
Weight:kg			0.75			NO.			NO.105-11		
Remarks: SHACMAN F3000 F2000						Remarks: SHACMAN F3000 F2000					

SHACMAN(1)

KD1759			KD1760		
	Part No.	DZ13241163016		Part No.	DZ13241162005
	CH part name	杂物盒		CH part name	仪表台总成
	EN part name	big store box		EN part name	dashboard
	RU part name	großes staufach		RU part name	приборная панель
	Size:mm			Size:mm	
	Weight:kg	0.34		Weight:kg	15
	NO.	NO.105-22		NO.	NO.105
Remarks: SHACMAN F3000 F2000 DZ13241162007 81.63745.0019			Remarks: SHACMAN F3000		
KD1761			KD1762		
	Part No.	DZ13241162201		Part No.	DZ15221611091
	CH part name	左上护盖		CH part name	手控阀护罩
	EN part name	cluster hood		EN part name	Console
	RU part name	блок.		RU part name	КОНСОЛЬ
	Size:mm			Size:mm	
	Weight:kg	0.35		Weight:kg	0.4
	NO.	NO.105-1		NO.	NO.A105-1
Remarks: SHACMAN F3000 F2000 DZ13241162200			Remarks: SHACMAN F3000 新M3000 DZ22405360631		
KD1763			KD1764		
	Part No.	DZ95189584611		Part No.	DZ93259360150
	CH part name	开关面板		CH part name	手控阀护罩
	EN part name	button panel		EN part name	Console
	RU part name	переключатель панели		RU part name	КОНСОЛЬ
	Size:mm			Size:mm	
	Weight:kg	0.23		Weight:kg	0.4
	NO.	NO.105-12		NO.	NO.A105-1
Remarks: SHACMAN F3000 DZ95189584610			Remarks: SHACMAN F3000		
KD1765			KD1766		
	Part No.	81.61701.6179		Part No.	81.61701.0120
	CH part name	中间部件总成		CH part name	左下护盖
	EN part name	Center partassembly		EN part name	Cowring lower
	RU part name	центр partassembly		RU part name	cowring ниже
	Size:mm			Size:mm	
	Weight:kg	0.45		Weight:kg	0.3
	NO.	NO.A105-24		NO.	NO.A105-1
Remarks: SHACMAN F2000			Remarks: SHACMAN F2000		

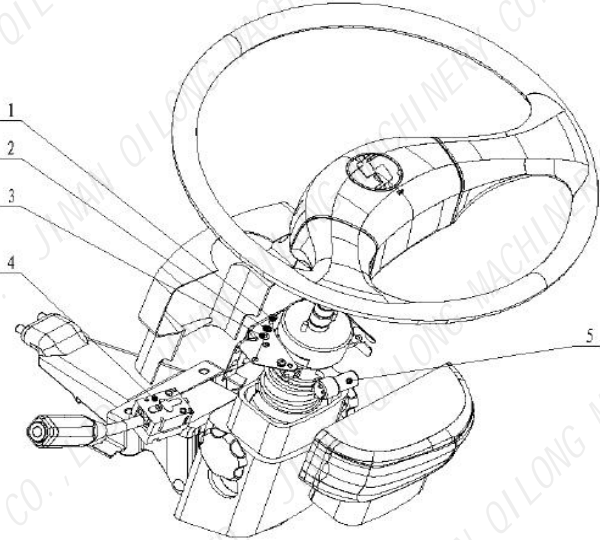






SHACMAN(1)

AIR CONDITIONING CONTROL/SWITCH F2000 F3000		NO.106	
		KD1767	
			
		Part No.	81.61990.0074
		CH part name	空调工作模式开关旋钮
		EN part name	Rotary knob
		RU part name	ротари ручки
		Size:mm	
		Weight:kg	0.12
		NO.	NO.106-20
Remarks: SHACMAN F2000 F3000			
		KD1768	
			
		Part No.	DZ9200581050
		CH part name	暖风/空调控制面板
		EN part name	Heater control panel
		RU part name	Нагреватель панели управления
		Size:mm	
		Weight:kg	1.1
		NO.	NO.106-10
Remarks: SHACMAN F2000 F3000			
KD1769		KD1770	
			
Part No.	81.61990.0073	Part No.	DZ91189585301
CH part name	暖风风扇开关旋钮	CH part name	空调控制面板总成 (自动)
EN part name	Switch	EN part name	Heater control panel
RU part name	выключатель	RU part name	Нагреватель панели управления
Size:mm		Size:mm	
Weight:kg	0.12	Weight:kg	0.34
NO.	NO.78-11	NO.	NO.106-10
Remarks: SHACMAN F2000 F3000		Remarks: SHACMAN X3000	
KD1771		KD1772	
			
Part No.	81.61990.6054	Part No.	DZ95189582361
CH part name	暖风空调操纵面板	CH part name	暖风控制面板
EN part name	Heater control panel	EN part name	Heater control panel
RU part name	Нагреватель панели управления	RU part name	Нагреватель панели управления
Size:mm	220*150*80	Size:mm	
Weight:kg	2	Weight:kg	0.35
NO.	NO.106-10	NO.	NO.106-10
Remarks: SHACMAN F2000 F3000 81.61990.0077		Remarks: SHACMAN F2000 F3000	

SHACMAN(1)

	<table border="1"> <tr><td>Part No.</td><td>QXK-5801050</td></tr> <tr><td>CH part name</td><td>空调控制面板</td></tr> <tr><td>EN part name</td><td>Heater control panel</td></tr> <tr><td>RU part name</td><td>Нагреватель панели управления</td></tr> <tr><td>Size:mm</td><td></td></tr> <tr><td>Weight:kg</td><td>1.05</td></tr> <tr><td>NO.</td><td>NO.106-10</td></tr> </table>	Part No.	QXK-5801050	CH part name	空调控制面板	EN part name	Heater control panel	RU part name	Нагреватель панели управления	Size:mm		Weight:kg	1.05	NO.	NO.106-10		<table border="1"> <tr><td>Part No.</td><td>81.25935.6706</td></tr> <tr><td>CH part name</td><td>暖风电控单元</td></tr> <tr><td>EN part name</td><td>Heater electronic control unit</td></tr> <tr><td>RU part name</td><td>Реле отопителя</td></tr> <tr><td>Size:mm</td><td>70*40*30</td></tr> <tr><td>Weight:kg</td><td>0.15</td></tr> <tr><td>NO.</td><td>NO.106-23</td></tr> </table>	Part No.	81.25935.6706	CH part name	暖风电控单元	EN part name	Heater electronic control unit	RU part name	Реле отопителя	Size:mm	70*40*30	Weight:kg	0.15	NO.	NO.106-23
Part No.	QXK-5801050																														
CH part name	空调控制面板																														
EN part name	Heater control panel																														
RU part name	Нагреватель панели управления																														
Size:mm																															
Weight:kg	1.05																														
NO.	NO.106-10																														
Part No.	81.25935.6706																														
CH part name	暖风电控单元																														
EN part name	Heater electronic control unit																														
RU part name	Реле отопителя																														
Size:mm	70*40*30																														
Weight:kg	0.15																														
NO.	NO.106-23																														
Remarks: SHACMAN F2000 F3000		Remarks: SHACMAN F2000 F3000																													
	<table border="1"> <tr><td>Part No.</td><td>81.25505.6171</td></tr> <tr><td>CH part name</td><td>空调模式开关</td></tr> <tr><td>EN part name</td><td>Rotary knob</td></tr> <tr><td>RU part name</td><td>ротари ручки</td></tr> <tr><td>Size:mm</td><td></td></tr> <tr><td>Weight:kg</td><td>0.12</td></tr> <tr><td>NO.</td><td>NO.106-16</td></tr> </table>	Part No.	81.25505.6171	CH part name	空调模式开关	EN part name	Rotary knob	RU part name	ротари ручки	Size:mm		Weight:kg	0.12	NO.	NO.106-16		<table border="1"> <tr><td>Part No.</td><td>81.61930.0055</td></tr> <tr><td>CH part name</td><td>暖风电机</td></tr> <tr><td>EN part name</td><td>Heater motor</td></tr> <tr><td>RU part name</td><td>Мотор отопителя</td></tr> <tr><td>Size:mm</td><td>400*220*180</td></tr> <tr><td>Weight:kg</td><td>1.8</td></tr> <tr><td>NO.</td><td>NO.106</td></tr> </table>	Part No.	81.61930.0055	CH part name	暖风电机	EN part name	Heater motor	RU part name	Мотор отопителя	Size:mm	400*220*180	Weight:kg	1.8	NO.	NO.106
Part No.	81.25505.6171																														
CH part name	空调模式开关																														
EN part name	Rotary knob																														
RU part name	ротари ручки																														
Size:mm																															
Weight:kg	0.12																														
NO.	NO.106-16																														
Part No.	81.61930.0055																														
CH part name	暖风电机																														
EN part name	Heater motor																														
RU part name	Мотор отопителя																														
Size:mm	400*220*180																														
Weight:kg	1.8																														
NO.	NO.106																														
Remarks: SHACMAN F2000 F3000		Remarks: SHACMAN F2000 F3000																													
	<table border="1"> <tr><td>Part No.</td><td>81.61930.6070</td></tr> <tr><td>CH part name</td><td>室内温度传感器</td></tr> <tr><td>EN part name</td><td>Blower with sensor</td></tr> <tr><td>RU part name</td><td>вентилятор с датчиком</td></tr> <tr><td>Size:mm</td><td></td></tr> <tr><td>Weight:kg</td><td>0.04</td></tr> <tr><td>NO.</td><td>NO.106-25</td></tr> </table>	Part No.	81.61930.6070	CH part name	室内温度传感器	EN part name	Blower with sensor	RU part name	вентилятор с датчиком	Size:mm		Weight:kg	0.04	NO.	NO.106-25		<table border="1"> <tr><td>Part No.</td><td>DZ13241841066</td></tr> <tr><td>CH part name</td><td>自动空调总成 变排量压缩机右置</td></tr> <tr><td>EN part name</td><td>Auto A/C assy</td></tr> <tr><td>RU part name</td><td>авто A/C Астрид</td></tr> <tr><td>Size:mm</td><td></td></tr> <tr><td>Weight:kg</td><td>10.75</td></tr> <tr><td>NO.</td><td>NO.106-1</td></tr> </table>	Part No.	DZ13241841066	CH part name	自动空调总成 变排量压缩机右置	EN part name	Auto A/C assy	RU part name	авто A/C Астрид	Size:mm		Weight:kg	10.75	NO.	NO.106-1
Part No.	81.61930.6070																														
CH part name	室内温度传感器																														
EN part name	Blower with sensor																														
RU part name	вентилятор с датчиком																														
Size:mm																															
Weight:kg	0.04																														
NO.	NO.106-25																														
Part No.	DZ13241841066																														
CH part name	自动空调总成 变排量压缩机右置																														
EN part name	Auto A/C assy																														
RU part name	авто A/C Астрид																														
Size:mm																															
Weight:kg	10.75																														
NO.	NO.106-1																														
Remarks: SHACMAN F2000 F3000		Remarks: SHACMAN F2000 F3000 DZ13241210030																													
	<table border="1"> <tr><td>Part No.</td><td>DZ13241841114</td></tr> <tr><td>CH part name</td><td>鼓风机</td></tr> <tr><td>EN part name</td><td>Heater motor</td></tr> <tr><td>RU part name</td><td>Мотор отопителя</td></tr> <tr><td>Size:mm</td><td>400*220*180</td></tr> <tr><td>Weight:kg</td><td>1.8</td></tr> <tr><td>NO.</td><td>NO.106</td></tr> </table>	Part No.	DZ13241841114	CH part name	鼓风机	EN part name	Heater motor	RU part name	Мотор отопителя	Size:mm	400*220*180	Weight:kg	1.8	NO.	NO.106		<table border="1"> <tr><td>Part No.</td><td>81.61910.0011</td></tr> <tr><td>CH part name</td><td>暖风机进风口滤网</td></tr> <tr><td>EN part name</td><td>Filter net</td></tr> <tr><td>RU part name</td><td>Фильтр системы вентиляции салона</td></tr> <tr><td>Size:mm</td><td>400*230*40</td></tr> <tr><td>Weight:kg</td><td>0.3</td></tr> <tr><td>NO.</td><td>NO.106-8</td></tr> </table>	Part No.	81.61910.0011	CH part name	暖风机进风口滤网	EN part name	Filter net	RU part name	Фильтр системы вентиляции салона	Size:mm	400*230*40	Weight:kg	0.3	NO.	NO.106-8
Part No.	DZ13241841114																														
CH part name	鼓风机																														
EN part name	Heater motor																														
RU part name	Мотор отопителя																														
Size:mm	400*220*180																														
Weight:kg	1.8																														
NO.	NO.106																														
Part No.	81.61910.0011																														
CH part name	暖风机进风口滤网																														
EN part name	Filter net																														
RU part name	Фильтр системы вентиляции салона																														
Size:mm	400*230*40																														
Weight:kg	0.3																														
NO.	NO.106-8																														
Remarks: SHACMAN F2000		Remarks: SHACMAN F2000 F3000 DZ14251841102																													



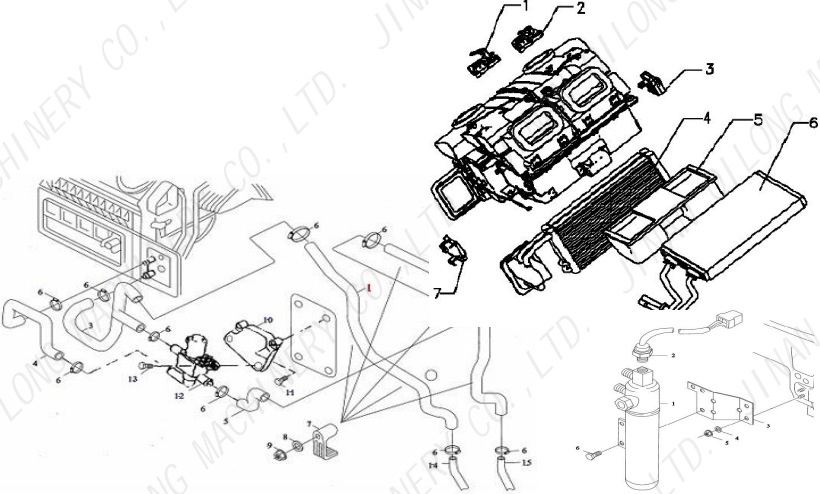





SHACMAN(1)

COMBINATION SWITCH AND STEERING LOCK		NO.106A		KD1781			
						Part No.	DZ13241841062
						CH part name	自动空调本体总成 (热区\单制冷)
						EN part name	Auto A/C assy
						RU part name	авто A/C Астрид
						Size:mm	
						Weight:kg	10.75
NO.	NO.106-1						
Remarks: SHACMAN F2000 F3000				DZ13241841062	DZ13241840701		
				KD1782			
				Part No.	DZ13241823140		
				CH part name	自动空调本体总成(改进型、热区)		
				EN part name	Auto A/C assy		
				RU part name	авто A/C Астрид		
				Size:mm			
				Weight:kg	10.75		
NO.	NO.106-1						
Remarks: SHACMAN F2000 F3000				DZ13241823120	DZ13241841049		
KD1783				KD1784			
		Part No.	81.25509.0124				
		CH part name	组合开关				
		EN part name	Combination switch				
		RU part name	комбинированный переключатель				
		Size:mm					
		Weight:kg	0.53				
NO.	NO.106A-4						
Remarks: SHACMAN F2000 F3000		Remarks: SHACMAN 新M3000					
KD1785				KD1786			
		Part No.	179100580346				
		CH part name	组合开关				
		EN part name	Combination switch				
		RU part name	комбинированный переключатель				
		Size:mm					
		Weight:kg	0.73				
NO.	NO.106A-4						
Remarks: SHACMAN STEYR		Remarks: SHACMAN F2000 F3000		右置Right set			

SHACMAN(1)

	<table border="1"> <tr><td>Part No.</td><td>DZ96189460553</td></tr> <tr><td>CH part name</td><td>点火开关</td></tr> <tr><td>EN part name</td><td>The ignition switch</td></tr> <tr><td>RU part name</td><td>зажигание</td></tr> <tr><td>Size:mm</td><td></td></tr> <tr><td>Weight:kg</td><td>0.43</td></tr> <tr><td>NO.</td><td>NO.106A-5</td></tr> </table>	Part No.	DZ96189460553	CH part name	点火开关	EN part name	The ignition switch	RU part name	зажигание	Size:mm		Weight:kg	0.43	NO.	NO.106A-5		<table border="1"> <tr><td>Part No.</td><td>DZ96189584636</td></tr> <tr><td>CH part name</td><td>组合开关</td></tr> <tr><td>EN part name</td><td>Combination switch</td></tr> <tr><td>RU part name</td><td>комбинированный переключатель</td></tr> <tr><td>Size:mm</td><td></td></tr> <tr><td>Weight:kg</td><td>0.78</td></tr> <tr><td>NO.</td><td>NO.106A-4</td></tr> </table>	Part No.	DZ96189584636	CH part name	组合开关	EN part name	Combination switch	RU part name	комбинированный переключатель	Size:mm		Weight:kg	0.78	NO.	NO.106A-4
Part No.	DZ96189460553																														
CH part name	点火开关																														
EN part name	The ignition switch																														
RU part name	зажигание																														
Size:mm																															
Weight:kg	0.43																														
NO.	NO.106A-5																														
Part No.	DZ96189584636																														
CH part name	组合开关																														
EN part name	Combination switch																														
RU part name	комбинированный переключатель																														
Size:mm																															
Weight:kg	0.78																														
NO.	NO.106A-4																														
Remarks: SHACMAN M3000 新M3000		Remarks: SHACMAN M3000																													
	<table border="1"> <tr><td>Part No.</td><td>DZ97189460200</td></tr> <tr><td>CH part name</td><td>方向盘锁</td></tr> <tr><td>EN part name</td><td>Steering lock assembly</td></tr> <tr><td>RU part name</td><td>замок рулевого колеса</td></tr> <tr><td>Size:mm</td><td></td></tr> <tr><td>Weight:kg</td><td>0.831</td></tr> <tr><td>NO.</td><td>NO.106A-5</td></tr> </table>	Part No.	DZ97189460200	CH part name	方向盘锁	EN part name	Steering lock assembly	RU part name	замок рулевого колеса	Size:mm		Weight:kg	0.831	NO.	NO.106A-5		<table border="1"> <tr><td>Part No.</td><td>SZ946000700</td></tr> <tr><td>CH part name</td><td>方向盘锁</td></tr> <tr><td>EN part name</td><td>Steering lock assembly</td></tr> <tr><td>RU part name</td><td>замок рулевого колеса</td></tr> <tr><td>Size:mm</td><td></td></tr> <tr><td>Weight:kg</td><td>0.831</td></tr> <tr><td>NO.</td><td>NO.78A-5</td></tr> </table>	Part No.	SZ946000700	CH part name	方向盘锁	EN part name	Steering lock assembly	RU part name	замок рулевого колеса	Size:mm		Weight:kg	0.831	NO.	NO.78A-5
Part No.	DZ97189460200																														
CH part name	方向盘锁																														
EN part name	Steering lock assembly																														
RU part name	замок рулевого колеса																														
Size:mm																															
Weight:kg	0.831																														
NO.	NO.106A-5																														
Part No.	SZ946000700																														
CH part name	方向盘锁																														
EN part name	Steering lock assembly																														
RU part name	замок рулевого колеса																														
Size:mm																															
Weight:kg	0.831																														
NO.	NO.78A-5																														
Remarks: SHACMAN F2000 F3000		Remarks: SHACMAN F2000 F3000																													
	<table border="1"> <tr><td>Part No.</td><td>DZ14251340099</td></tr> <tr><td>CH part name</td><td>门锁、方向盘锁、锁芯带钥匙套件</td></tr> <tr><td>EN part name</td><td>Door, steering wheel lock core</td></tr> <tr><td>RU part name</td><td>замок двери , рулевое колесо</td></tr> <tr><td>Size:mm</td><td></td></tr> <tr><td>Weight:kg</td><td>0.35</td></tr> <tr><td>NO.</td><td>NO.106A-5</td></tr> </table>	Part No.	DZ14251340099	CH part name	门锁、方向盘锁、锁芯带钥匙套件	EN part name	Door, steering wheel lock core	RU part name	замок двери , рулевое колесо	Size:mm		Weight:kg	0.35	NO.	NO.106A-5		<table border="1"> <tr><td>Part No.</td><td>DZ9100580076</td></tr> <tr><td>CH part name</td><td>组合开关</td></tr> <tr><td>EN part name</td><td>Combination switch</td></tr> <tr><td>RU part name</td><td>комбинированный переключатель</td></tr> <tr><td>Size:mm</td><td></td></tr> <tr><td>Weight:kg</td><td>0.53</td></tr> <tr><td>NO.</td><td>NO.106A-4</td></tr> </table>	Part No.	DZ9100580076	CH part name	组合开关	EN part name	Combination switch	RU part name	комбинированный переключатель	Size:mm		Weight:kg	0.53	NO.	NO.106A-4
Part No.	DZ14251340099																														
CH part name	门锁、方向盘锁、锁芯带钥匙套件																														
EN part name	Door, steering wheel lock core																														
RU part name	замок двери , рулевое колесо																														
Size:mm																															
Weight:kg	0.35																														
NO.	NO.106A-5																														
Part No.	DZ9100580076																														
CH part name	组合开关																														
EN part name	Combination switch																														
RU part name	комбинированный переключатель																														
Size:mm																															
Weight:kg	0.53																														
NO.	NO.106A-4																														
Remarks: SHACMAN F2000 F3000		Remarks: SHACMAN F2000 F3000																													
	<table border="1"> <tr><td>Part No.</td><td>DZ15221840101</td></tr> <tr><td>CH part name</td><td>暖风芯体总成</td></tr> <tr><td>EN part name</td><td>Heater tank</td></tr> <tr><td>RU part name</td><td>Нагреватель бака</td></tr> <tr><td>Size:mm</td><td></td></tr> <tr><td>Weight:kg</td><td>3.45</td></tr> <tr><td>NO.</td><td>NO.107-6</td></tr> </table>	Part No.	DZ15221840101	CH part name	暖风芯体总成	EN part name	Heater tank	RU part name	Нагреватель бака	Size:mm		Weight:kg	3.45	NO.	NO.107-6		<table border="1"> <tr><td>Part No.</td><td>DZ13241841113</td></tr> <tr><td>CH part name</td><td>暖风水箱</td></tr> <tr><td>EN part name</td><td>Heater tank</td></tr> <tr><td>RU part name</td><td>Нагреватель бака</td></tr> <tr><td>Size:mm</td><td>700*450*50</td></tr> <tr><td>Weight:kg</td><td>3.5</td></tr> <tr><td>NO.</td><td>NO.107-6</td></tr> </table>	Part No.	DZ13241841113	CH part name	暖风水箱	EN part name	Heater tank	RU part name	Нагреватель бака	Size:mm	700*450*50	Weight:kg	3.5	NO.	NO.107-6
Part No.	DZ15221840101																														
CH part name	暖风芯体总成																														
EN part name	Heater tank																														
RU part name	Нагреватель бака																														
Size:mm																															
Weight:kg	3.45																														
NO.	NO.107-6																														
Part No.	DZ13241841113																														
CH part name	暖风水箱																														
EN part name	Heater tank																														
RU part name	Нагреватель бака																														
Size:mm	700*450*50																														
Weight:kg	3.5																														
NO.	NO.107-6																														
Remarks: SHACMAN M3000		Remarks: SHACMAN F2000 F3000																													



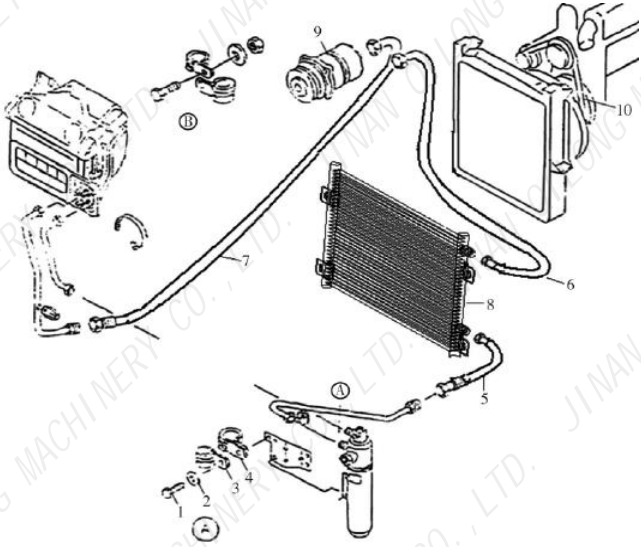



SHACMAN(1)

	<table border="1"> <tr><td>Part No.</td><td>81.61967.0016</td></tr> <tr><td>CH part name</td><td>暖风控制阀</td></tr> <tr><td>EN part name</td><td>Control valve</td></tr> <tr><td>RU part name</td><td>контрольный клапан</td></tr> <tr><td>Size:mm</td><td></td></tr> <tr><td>Weight:kg</td><td>0.23</td></tr> <tr><td>NO.</td><td>NO.107-12</td></tr> </table>	Part No.	81.61967.0016	CH part name	暖风控制阀	EN part name	Control valve	RU part name	контрольный клапан	Size:mm		Weight:kg	0.23	NO.	NO.107-12		<table border="1"> <tr><td>Part No.</td><td>DZ13241841201</td></tr> <tr><td>CH part name</td><td>暖风铝管(一)</td></tr> <tr><td>EN part name</td><td>Heater line</td></tr> <tr><td>RU part name</td><td>обогреватель линия</td></tr> <tr><td>Size:mm</td><td>22×1.5</td></tr> <tr><td>Weight:kg</td><td>0.2</td></tr> <tr><td>NO.</td><td>NO.107-1</td></tr> </table>	Part No.	DZ13241841201	CH part name	暖风铝管(一)	EN part name	Heater line	RU part name	обогреватель линия	Size:mm	22×1.5	Weight:kg	0.2	NO.	NO.107-1
Part No.	81.61967.0016																														
CH part name	暖风控制阀																														
EN part name	Control valve																														
RU part name	контрольный клапан																														
Size:mm																															
Weight:kg	0.23																														
NO.	NO.107-12																														
Part No.	DZ13241841201																														
CH part name	暖风铝管(一)																														
EN part name	Heater line																														
RU part name	обогреватель линия																														
Size:mm	22×1.5																														
Weight:kg	0.2																														
NO.	NO.107-1																														
Remarks: SHACMAN F2000 F3000		Remarks: SHACMAN F2000 F3000 81.61960.0722 81.61960.0721																													
The warm air device		NO.107																													
			<table border="1"> <tr><td>Part No.</td><td>DZ13241841202</td></tr> <tr><td>CH part name</td><td>暖风铝管(二)</td></tr> <tr><td>EN part name</td><td>Heater line</td></tr> <tr><td>RU part name</td><td>обогреватель линия</td></tr> <tr><td>Size:mm</td><td></td></tr> <tr><td>Weight:kg</td><td>0.2</td></tr> <tr><td>NO.</td><td>NO.107-2</td></tr> </table>	Part No.	DZ13241841202	CH part name	暖风铝管(二)	EN part name	Heater line	RU part name	обогреватель линия	Size:mm		Weight:kg	0.2	NO.	NO.107-2														
Part No.	DZ13241841202																														
CH part name	暖风铝管(二)																														
EN part name	Heater line																														
RU part name	обогреватель линия																														
Size:mm																															
Weight:kg	0.2																														
NO.	NO.107-2																														
Remarks: SHACMAN F2000 F3000		Remarks: SHACMAN F2000 F3000 81.61960.0647																													
	<table border="1"> <tr><td>Part No.</td><td>DZ13241823302</td></tr> <tr><td>CH part name</td><td>自动空调成型软管(二)</td></tr> <tr><td>EN part name</td><td>Shaped hose</td></tr> <tr><td>RU part name</td><td>формы шланг</td></tr> <tr><td>Size:mm</td><td></td></tr> <tr><td>Weight:kg</td><td>0.38</td></tr> <tr><td>NO.</td><td>NO.107-3</td></tr> </table>	Part No.	DZ13241823302	CH part name	自动空调成型软管(二)	EN part name	Shaped hose	RU part name	формы шланг	Size:mm		Weight:kg	0.38	NO.	NO.107-3		<table border="1"> <tr><td>Part No.</td><td>DZ13241823301</td></tr> <tr><td>CH part name</td><td>自动空调成型软管(一)</td></tr> <tr><td>EN part name</td><td>Shaped hose</td></tr> <tr><td>RU part name</td><td>формы шланг</td></tr> <tr><td>Size:mm</td><td></td></tr> <tr><td>Weight:kg</td><td>0.5</td></tr> <tr><td>NO.</td><td>NO.107-3</td></tr> </table>	Part No.	DZ13241823301	CH part name	自动空调成型软管(一)	EN part name	Shaped hose	RU part name	формы шланг	Size:mm		Weight:kg	0.5	NO.	NO.107-3
Part No.	DZ13241823302																														
CH part name	自动空调成型软管(二)																														
EN part name	Shaped hose																														
RU part name	формы шланг																														
Size:mm																															
Weight:kg	0.38																														
NO.	NO.107-3																														
Part No.	DZ13241823301																														
CH part name	自动空调成型软管(一)																														
EN part name	Shaped hose																														
RU part name	формы шланг																														
Size:mm																															
Weight:kg	0.5																														
NO.	NO.107-3																														
Remarks: SHACMAN F2000 F3000 81.96301.0651		Remarks: SHACMAN F2000 F3000 81.96301.0652																													
	<table border="1"> <tr><td>Part No.</td><td>DZ13241823302</td></tr> <tr><td>CH part name</td><td>自动空调成型软管(二)</td></tr> <tr><td>EN part name</td><td>Shaped hose</td></tr> <tr><td>RU part name</td><td>формы шланг</td></tr> <tr><td>Size:mm</td><td></td></tr> <tr><td>Weight:kg</td><td>0.38</td></tr> <tr><td>NO.</td><td>NO.107-3</td></tr> </table>	Part No.	DZ13241823302	CH part name	自动空调成型软管(二)	EN part name	Shaped hose	RU part name	формы шланг	Size:mm		Weight:kg	0.38	NO.	NO.107-3		<table border="1"> <tr><td>Part No.</td><td>DZ13241823303</td></tr> <tr><td>CH part name</td><td>自动空调成型软管(三)</td></tr> <tr><td>EN part name</td><td>Shaped hose</td></tr> <tr><td>RU part name</td><td>формы шланг</td></tr> <tr><td>Size:mm</td><td></td></tr> <tr><td>Weight:kg</td><td>0.26</td></tr> <tr><td>NO.</td><td>NO.107-5</td></tr> </table>	Part No.	DZ13241823303	CH part name	自动空调成型软管(三)	EN part name	Shaped hose	RU part name	формы шланг	Size:mm		Weight:kg	0.26	NO.	NO.107-5
Part No.	DZ13241823302																														
CH part name	自动空调成型软管(二)																														
EN part name	Shaped hose																														
RU part name	формы шланг																														
Size:mm																															
Weight:kg	0.38																														
NO.	NO.107-3																														
Part No.	DZ13241823303																														
CH part name	自动空调成型软管(三)																														
EN part name	Shaped hose																														
RU part name	формы шланг																														
Size:mm																															
Weight:kg	0.26																														
NO.	NO.107-5																														
Remarks: SHACMAN F2000 F3000 81.96301.0651		Remarks: SHACMAN F2000 F3000 81.96301.0652																													









SHACMAN(1)

	<p>Part No. 81.61940.0088</p> <p>CH part name 暖风控制阀支架</p> <p>EN part name Plate</p> <p>RU part name плита</p> <p>Size:mm</p> <p>Weight:kg 0.12</p> <p>NO. NO.107-10</p>		<p>Part No. DZ13241821111</p> <p>CH part name 蒸发器总成</p> <p>EN part name Evaporator Core assembly</p> <p>RU part name основные ассамблеи испарителя</p> <p>Size:mm</p> <p>Weight:kg 0.89</p> <p>NO. NO.107-4</p>
Remarks: SHACMAN F2000 F3000		Remarks: SHACMAN F2000 F3000	
	<p>Part No. DZ93189582364</p> <p>CH part name 除霜风门电机</p> <p>EN part name Defrost wind door electromotor</p> <p>RU part name размораживания ветра дверь состоянии</p> <p>Size:mm</p> <p>Weight:kg 0.25</p> <p>NO. NO.107-1</p>		<p>Part No. DZ93189582365</p> <p>CH part name 吹脚风门电机</p> <p>EN part name Blow wind door electromotor</p> <p>RU part name удар ветра дверь electromotorr</p> <p>Size:mm</p> <p>Weight:kg 0.3</p> <p>NO. NO.107-2</p>
Remarks: SHACMAN F2000 F3000		Remarks: SHACMAN F2000 F3000	
	<p>Part No. DZ93189582363</p> <p>CH part name 混合风门电机</p> <p>EN part name Blow wind door electromotor</p> <p>RU part name удар ветра дверь electromotorr</p> <p>Size:mm</p> <p>Weight:kg 0.3</p> <p>NO. NO.107-3</p>		<p>Part No. DZ93189582362</p> <p>CH part name 内外循环风门电机</p> <p>EN part name Inner & out circle wind door assembly</p> <p>RU part name внутренняя & из круга ветра двери в сборе</p> <p>Size:mm</p> <p>Weight:kg 0.28</p> <p>NO. NO.107-7</p>
Remarks: SHACMAN F2000 F3000		Remarks: SHACMAN F2000 F3000	
	<p>Part No. DZ13241821210</p> <p>CH part name 空调干燥器热区</p> <p>EN part name Air drying tank</p> <p>RU part name Осушитель воздушный</p> <p>Size:mm 280*120*80</p> <p>Weight:kg 0.483</p> <p>NO. NO.107-1</p>		<p>Part No. DZ13241821201</p> <p>CH part name 空调干燥器热区</p> <p>EN part name Air drying tank</p> <p>RU part name Осушитель воздушный</p> <p>Size:mm 280*120*80</p> <p>Weight:kg 0.483</p> <p>NO. NO.107-1</p>
Remarks: SHACMAN F3000		Remarks: SHACMAN F2000	









SHACMAN(1)

	<table border="1"> <tr><td>Part No.</td><td>DZ13241821203</td></tr> <tr><td>CH part name</td><td>压力开关</td></tr> <tr><td>EN part name</td><td>Pressure switch</td></tr> <tr><td>RU part name</td><td>выключатель давления</td></tr> <tr><td>Size:mm</td><td></td></tr> <tr><td>Weight:kg</td><td>0.1</td></tr> <tr><td>NO.</td><td>NO.107-2</td></tr> </table>	Part No.	DZ13241821203	CH part name	压力开关	EN part name	Pressure switch	RU part name	выключатель давления	Size:mm		Weight:kg	0.1	NO.	NO.107-2		<table border="1"> <tr><td>Part No.</td><td>DZ13241821201</td></tr> <tr><td>CH part name</td><td>空调干燥器热区</td></tr> <tr><td>EN part name</td><td>Air drying tank</td></tr> <tr><td>RU part name</td><td>осушитель воздушный</td></tr> <tr><td>Size:mm</td><td></td></tr> <tr><td>Weight:kg</td><td>0.5</td></tr> <tr><td>NO.</td><td>NO.107-1</td></tr> </table>	Part No.	DZ13241821201	CH part name	空调干燥器热区	EN part name	Air drying tank	RU part name	осушитель воздушный	Size:mm		Weight:kg	0.5	NO.	NO.107-1
Part No.	DZ13241821203																														
CH part name	压力开关																														
EN part name	Pressure switch																														
RU part name	выключатель давления																														
Size:mm																															
Weight:kg	0.1																														
NO.	NO.107-2																														
Part No.	DZ13241821201																														
CH part name	空调干燥器热区																														
EN part name	Air drying tank																														
RU part name	осушитель воздушный																														
Size:mm																															
Weight:kg	0.5																														
NO.	NO.107-1																														
Remarks: SHACMAN F2000 F3000		Remarks: SHACMAN F2000 F3000																													
AIR CONDITION PIPES		NO.108																													
			<table border="1"> <tr><td>Part No.</td><td>DZ13241824534</td></tr> <tr><td>CH part name</td><td>管夹</td></tr> <tr><td>EN part name</td><td>Duct clip</td></tr> <tr><td>RU part name</td><td>проток клип</td></tr> <tr><td>Size:mm</td><td></td></tr> <tr><td>Weight:kg</td><td>0.1</td></tr> <tr><td>NO.</td><td>NO.108-3</td></tr> </table>	Part No.	DZ13241824534	CH part name	管夹	EN part name	Duct clip	RU part name	проток клип	Size:mm		Weight:kg	0.1	NO.	NO.108-3														
Part No.	DZ13241824534																														
CH part name	管夹																														
EN part name	Duct clip																														
RU part name	проток клип																														
Size:mm																															
Weight:kg	0.1																														
NO.	NO.108-3																														
Remarks: SHACMAN F2000 F3000		81.97401.0435																													
	<table border="1"> <tr><td>Part No.</td><td>DZ13241824555</td></tr> <tr><td>CH part name</td><td>压缩机-冷凝器连接管</td></tr> <tr><td>EN part name</td><td>Pipe</td></tr> <tr><td>RU part name</td><td>труба</td></tr> <tr><td>Size:mm</td><td></td></tr> <tr><td>Weight:kg</td><td>0.38</td></tr> <tr><td>NO.</td><td>NO.108-6</td></tr> </table>	Part No.	DZ13241824555	CH part name	压缩机-冷凝器连接管	EN part name	Pipe	RU part name	труба	Size:mm		Weight:kg	0.38	NO.	NO.108-6		<table border="1"> <tr><td>Part No.</td><td>DZ13241824531</td></tr> <tr><td>CH part name</td><td>冷凝器-干燥罐连接管(前置)</td></tr> <tr><td>EN part name</td><td>Pipe</td></tr> <tr><td>RU part name</td><td>труба</td></tr> <tr><td>Size:mm</td><td></td></tr> <tr><td>Weight:kg</td><td>0.05</td></tr> <tr><td>NO.</td><td>NO.108-5</td></tr> </table>	Part No.	DZ13241824531	CH part name	冷凝器-干燥罐连接管(前置)	EN part name	Pipe	RU part name	труба	Size:mm		Weight:kg	0.05	NO.	NO.108-5
Part No.	DZ13241824555																														
CH part name	压缩机-冷凝器连接管																														
EN part name	Pipe																														
RU part name	труба																														
Size:mm																															
Weight:kg	0.38																														
NO.	NO.108-6																														
Part No.	DZ13241824531																														
CH part name	冷凝器-干燥罐连接管(前置)																														
EN part name	Pipe																														
RU part name	труба																														
Size:mm																															
Weight:kg	0.05																														
NO.	NO.108-5																														
Remarks: SHACMAN F2000 F3000 前置, WP10		Remarks: SHACMAN F2000 F3000 前置, WP12																													

SHACMAN(1)

KD1815			KD1816		
	Part No.	DZ13241824554		Part No.	DZ13241824552
	CH part name	压缩机连接管		CH part name	蒸发器-压缩机连接管
	EN part name	Pipe		EN part name	Pipe
	RU part name	труба		RU part name	труба
	Size:mm			Size:mm	
	Weight:kg	0.6		Weight:kg	0.6
	NO.	NO.108-7		NO.	NO.108-7
Remarks: SHACMAN F2000 F3000 适用于WP10、ISM		Remarks: SHACMAN F2000 F3000 适用于WP12、ISM			
KD1817			KD1818		
	Part No.	DZ13241824550		Part No.	DZ13241824503
	CH part name	压缩机连接管		CH part name	蒸发器干燥罐连接管
	EN part name	Pipe		EN part name	Pipe
	RU part name	труба		RU part name	труба
	Size:mm			Size:mm	
	Weight:kg	0.6		Weight:kg	0.038
	NO.	NO.108-7		NO.	NO.108-5
Remarks: SHACMAN F2000 F3000 WD12		Remarks: SHACMAN F2000 F3000			
KD1819			KD1820		
	Part No.	DZ13241824556		Part No.	DZ13241824557
	CH part name	压缩机-冷凝器连接管		CH part name	压缩机-冷凝器连接管
	EN part name	Pipe		EN part name	Pipe
	RU part name	труба		RU part name	труба
	Size:mm			Size:mm	
	Weight:kg	0.6		Weight:kg	0.6
	NO.	NO.108-6		NO.	NO.108-6
Remarks: SHACMAN F2000 F3000 WD12侧置		Remarks: SHACMAN F2000 F3000 WD10侧置			
KD1821			KD1822		
	Part No.	DZ13241824592		Part No.	DZ1324182459
	CH part name	压缩机-冷凝器连接管		CH part name	1蒸发器-压缩机连接管
	EN part name	Pipe		EN part name	Pipe
	RU part name	труба		RU part name	труба
	Size:mm			Size:mm	
	Weight:kg	0.25		Weight:kg	0.6
	NO.	NO.108-6		NO.	NO.108-7
Remarks: SHACMAN M3000 WP10		Remarks: SHACMAN M3000 WP10			



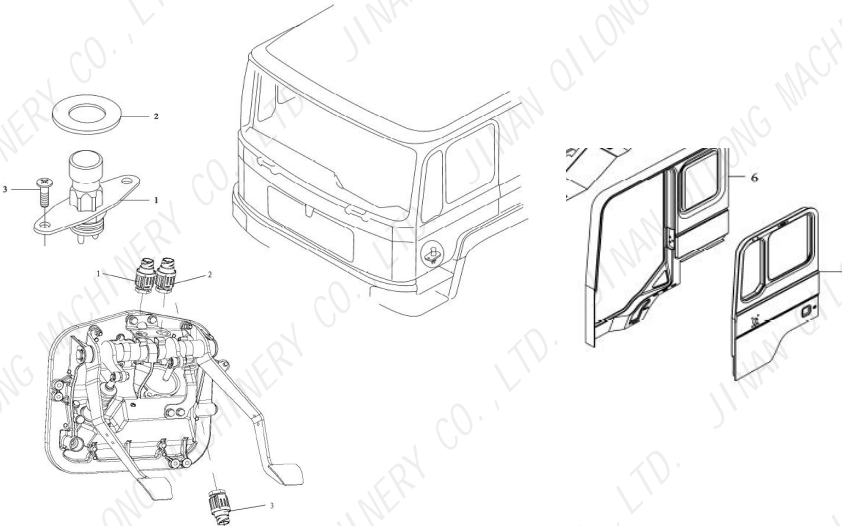


SHACMAN(1)

KD1823			KD1824		
	Part No.	DZ11241845104		Part No.	SZ914000701
	CH part name	压缩机-冷凝器连接管总成		CH part name	冷凝器-干燥罐连接管
	EN part name	Pipe		EN part name	Pipe
	RU part name	труба		RU part name	труба
	Size:mm			Size:mm	
	Weight:kg	0.25		Weight:kg	0.65
	NO.	NO.108-6		NO.	NO.108-5
Remarks: SHACMAN WP10			Remarks: SHACMAN F3000 前置		
KD1825			KD1826		
	Part No.	DZ11241845301		Part No.	DZ11241845206
	CH part name	蒸发器-冷凝器连接管总成		CH part name	蒸发器-压缩机连接管总成
	EN part name	Pipe		EN part name	Pipe
	RU part name	труба		RU part name	труба
	Size:mm			Size:mm	
	Weight:kg	0.25		Weight:kg	0.65
	NO.	NO.108-6		NO.	NO.108-7
Remarks:SHACMAN			Remarks: SHACMAN		
KD1827			KD1828		
	Part No.	DZ13241824585		Part No.	DZ13241821406
	CH part name	冷凝器-干燥罐连接管		CH part name	干燥罐-蒸发器连接管
	EN part name	Pipe		EN part name	Pipe
	RU part name	труба		RU part name	труба
	Size:mm			Size:mm	
	Weight:kg	0.25		Weight:kg	0.34
	NO.	NO.108-5		NO.	NO.108-5
Remarks: SHACMAN F2000 板式			Remarks: SHACMAN F2000 F3000		
KD1829			KD1830		
	Part No.	DZ13241845039		Part No.	DZ13241841041
	CH part name	压缩机-冷凝器连接管		CH part name	蒸发器-压缩机连接管
	EN part name	Pipe		EN part name	Pipe
	RU part name	труба		RU part name	труба
	Size:mm			Size:mm	
	Weight:kg	0.6		Weight:kg	0.65
	NO.	NO.108-6		NO.	NO.108-7
Remarks: SHACMAN F2000 F3000 WD615 热区			Remarks: SHACMAN F2000 F3000 WD615 热区		







SHACMAN(1)

	<p>Part No. DZ13241824350</p> <p>CH part name 冷凝器总成</p> <p>EN part name Side condense assy</p> <p>RU part name конденсатором</p> <p>Size:mm</p> <p>Weight:kg 3.4</p> <p>NO. NO.108-8</p>		<p>Part No. DZ13241824330</p> <p>CH part name 前置冷凝器</p> <p>EN part name Side condense assy</p> <p>RU part name конденсатором</p> <p>Size:mm</p> <p>Weight:kg 3.4</p> <p>NO. NO.108-8</p>
Remarks: SHACMAN F2000 F3000 压板式 热区		Remarks: SHACMAN F3000前置	
	<p>Part No. DZ13241824301</p> <p>CH part name 侧置冷凝器总成</p> <p>EN part name Side condense assy</p> <p>RU part name конденсатором</p> <p>Size:mm</p> <p>Weight:kg 8.5</p> <p>NO. NO.108-8</p>		<p>Part No. DZ13241824370</p> <p>CH part name 过冷式冷凝器总成 (集成干燥罐)</p> <p>EN part name Side condense assy</p> <p>RU part name конденсатором</p> <p>Size:mm</p> <p>Weight:kg 3.4</p> <p>NO. NO.108-8</p>
Remarks: SHACMAN F2000 F3000 DZ13241824302		Remarks: SHACMAN F3000 X3000	
	<p>Part No. DZ13241824112</p> <p>CH part name 压缩机 (多楔槽)</p> <p>EN part name Air conditioner compressor</p> <p>RU part name Компрессор кондиционера</p> <p>Size:mm 220*180*175</p> <p>Weight:kg 7.39</p> <p>NO. NO108-9</p>		<p>Part No. DZ13241824121</p> <p>CH part name 压缩机总成(热区)</p> <p>EN part name Air conditioner compressor</p> <p>RU part name Компрессор кондиционера</p> <p>Size:mm 220*180*175</p> <p>Weight:kg 7.39</p> <p>NO. NO.108-9</p>
Remarks: SHACMAN F2000 F3000 WP12 DZ13241824111 ISM		Remarks: SHACMAN F2000 F3000 新M3000	
	<p>Part No. DZ13241845013</p> <p>CH part name 压缩机总成</p> <p>EN part name Air conditioner compressor</p> <p>RU part name Компрессор кондиционера</p> <p>Size:mm 220*180*175</p> <p>Weight:kg 7.39</p> <p>NO. NO.108-9</p>		<p>Part No. SZ915000700</p> <p>CH part name 压缩机总成(A槽)</p> <p>EN part name Air conditioner compressor</p> <p>RU part name Компрессор кондиционера</p> <p>Size:mm 220*180*175</p> <p>Weight:kg 7.35</p> <p>NO. NO.108-9</p>
Remarks:SHACMAN M3000		Remarks:SHACMAN F3000 WP10	



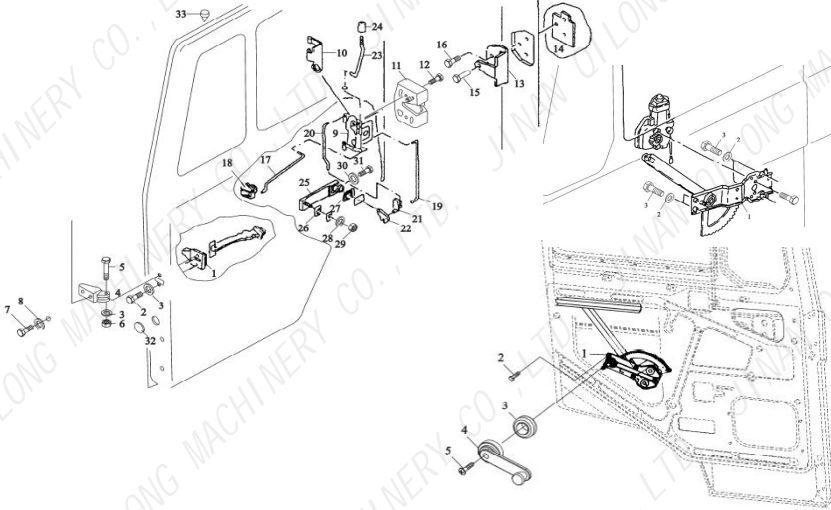





SHACMAN(1)

	<table border="1"> <tr><td>Part No.</td><td>DZ13241824604</td></tr> <tr><td>CH part name</td><td>压缩机皮带</td></tr> <tr><td>EN part name</td><td>Strap</td></tr> <tr><td>RU part name</td><td>ЛЯМКИ</td></tr> <tr><td>Size:mm</td><td>13*1180</td></tr> <tr><td>Weight:kg</td><td>0.1</td></tr> <tr><td>NO.</td><td>NO.108-10</td></tr> </table>	Part No.	DZ13241824604	CH part name	压缩机皮带	EN part name	Strap	RU part name	ЛЯМКИ	Size:mm	13*1180	Weight:kg	0.1	NO.	NO.108-10		<table border="1"> <tr><td>Part No.</td><td>DZ13241824603</td></tr> <tr><td>CH part name</td><td>多契皮带</td></tr> <tr><td>EN part name</td><td>V-Belt AC/4PK</td></tr> <tr><td>RU part name</td><td>Осущитель воздушный</td></tr> <tr><td>Size:mm</td><td>4PK*1140</td></tr> <tr><td>Weight:kg</td><td>0.09</td></tr> <tr><td>NO.</td><td>108-10</td></tr> </table>	Part No.	DZ13241824603	CH part name	多契皮带	EN part name	V-Belt AC/4PK	RU part name	Осущитель воздушный	Size:mm	4PK*1140	Weight:kg	0.09	NO.	108-10
Part No.	DZ13241824604																														
CH part name	压缩机皮带																														
EN part name	Strap																														
RU part name	ЛЯМКИ																														
Size:mm	13*1180																														
Weight:kg	0.1																														
NO.	NO.108-10																														
Part No.	DZ13241824603																														
CH part name	多契皮带																														
EN part name	V-Belt AC/4PK																														
RU part name	Осущитель воздушный																														
Size:mm	4PK*1140																														
Weight:kg	0.09																														
NO.	108-10																														
Remarks:SHACMAN F3000 F2000 WP10		Remarks: SHACMAN F3000 F2000																													
Engine exhaust brake switch NO.109																															
	<table border="1"> <tr><td>Part No.</td><td>81.25505.0992</td></tr> <tr><td>CH part name</td><td>排气制动开关</td></tr> <tr><td>EN part name</td><td>Engine exhaust brake switch</td></tr> <tr><td>RU part name</td><td>Выключатель кнопочный торм. Системы</td></tr> <tr><td>Size:mm</td><td>80*45*30</td></tr> <tr><td>Weight:kg</td><td>0.17</td></tr> <tr><td>NO.</td><td>NO.109-1</td></tr> </table>	Part No.	81.25505.0992	CH part name	排气制动开关	EN part name	Engine exhaust brake switch	RU part name	Выключатель кнопочный торм. Системы	Size:mm	80*45*30	Weight:kg	0.17	NO.	NO.109-1	<table border="1"> <tr><td>Part No.</td><td>DZ93189583150</td></tr> <tr><td>CH part name</td><td>离合器接近开关(常通型)</td></tr> <tr><td>EN part name</td><td>Adjacency</td></tr> <tr><td>RU part name</td><td>смежности</td></tr> <tr><td>Size:mm</td><td>80*35*35</td></tr> <tr><td>Weight:kg</td><td>0.128</td></tr> <tr><td>NO.</td><td>NO.109-1-2</td></tr> </table>	Part No.	DZ93189583150	CH part name	离合器接近开关(常通型)	EN part name	Adjacency	RU part name	смежности	Size:mm	80*35*35	Weight:kg	0.128	NO.	NO.109-1-2	
Part No.	81.25505.0992																														
CH part name	排气制动开关																														
EN part name	Engine exhaust brake switch																														
RU part name	Выключатель кнопочный торм. Системы																														
Size:mm	80*45*30																														
Weight:kg	0.17																														
NO.	NO.109-1																														
Part No.	DZ93189583150																														
CH part name	离合器接近开关(常通型)																														
EN part name	Adjacency																														
RU part name	смежности																														
Size:mm	80*35*35																														
Weight:kg	0.128																														
NO.	NO.109-1-2																														
Remarks:SHACMAN F3000 F2000 WP10		Remarks: SHACMAN F3000 F2000																													
	<table border="1"> <tr><td>Part No.</td><td>DZ93189582550</td></tr> <tr><td>CH part name</td><td>制动灯开关</td></tr> <tr><td>EN part name</td><td>Brake lamp switch</td></tr> <tr><td>RU part name</td><td>Датчик стоп сигнала</td></tr> <tr><td>Size:mm</td><td>80*35*35</td></tr> <tr><td>Weight:kg</td><td>0.128</td></tr> <tr><td>NO.</td><td>NO.109-3</td></tr> </table>	Part No.	DZ93189582550	CH part name	制动灯开关	EN part name	Brake lamp switch	RU part name	Датчик стоп сигнала	Size:mm	80*35*35	Weight:kg	0.128	NO.	NO.109-3		<table border="1"> <tr><td>Part No.</td><td>DZ9100586212</td></tr> <tr><td>CH part name</td><td>离合器接近开关(高电位、常通)</td></tr> <tr><td>EN part name</td><td>Clutch switch</td></tr> <tr><td>RU part name</td><td>сцепление выключатель</td></tr> <tr><td>Size:mm</td><td>80*35*35</td></tr> <tr><td>Weight:kg</td><td>0.128</td></tr> <tr><td>NO.</td><td>NO.109-1-3</td></tr> </table>	Part No.	DZ9100586212	CH part name	离合器接近开关(高电位、常通)	EN part name	Clutch switch	RU part name	сцепление выключатель	Size:mm	80*35*35	Weight:kg	0.128	NO.	NO.109-1-3
Part No.	DZ93189582550																														
CH part name	制动灯开关																														
EN part name	Brake lamp switch																														
RU part name	Датчик стоп сигнала																														
Size:mm	80*35*35																														
Weight:kg	0.128																														
NO.	NO.109-3																														
Part No.	DZ9100586212																														
CH part name	离合器接近开关(高电位、常通)																														
EN part name	Clutch switch																														
RU part name	сцепление выключатель																														
Size:mm	80*35*35																														
Weight:kg	0.128																														
NO.	NO.109-1-3																														
Remarks: SHACMAN F3000 F2000 X3000 81.25520.0171		Remarks: SHACMAN F3000 F2000 X3000																													



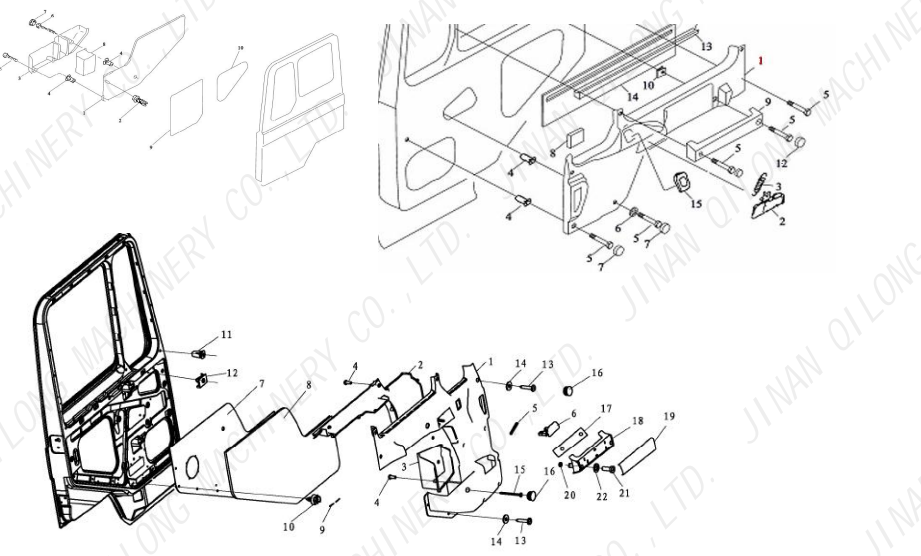


SHACMAN(1)

KD1845				KD1846			
	Part No.	DZ15221211002			Part No.	DZ15221211001	
	CH part name	右车门焊接总成R			CH part name	左车门焊接总成	
	EN part name	Right door assy.			EN part name	Right door assy.	
	RU part name	Дверь правая в сборе			RU part name	Дверь правая в сборе	
	Size:mm	1950*1100*300			Size:mm	1950*1100*300	
	Weight:kg	21			Weight:kg	21	
	NO.	NO.109-8			NO.	NO.109-8	
Remarks: SHACMAN F3000 F2000 右置车				Remarks: SHACMAN F3000 F2000 右置车			
KD1847				KD1848			
	Part No.	DZ13241210020			Part No.	DZ13241210030	
	CH part name	右车门总成			CH part name	左车门总成L	
	EN part name	Right door assy.			EN part name	Right door assy.	
	RU part name	Дверь правая в сборе			RU part name	Дверь правая в сборе	
	Size:mm	1950*1100*300			Size:mm	1950*1100*300	
	Weight:kg	30			Weight:kg	30	
	NO.	NO.109-8			NO.	NO.109-8	
Remarks: SHACMAN F3000 F2000 81.62600.4082				Remarks: SHACMAN F3000 F2000 81.62600.4077			
KD1849				KD1850			
	Part No.	DZ1643340010			Part No.	DZ1643340030/0040	
	CH part name	车门锁止机构总成			CH part name	左右车门锁总成	
	EN part name	Door arrestor assembly			EN part name	Door lock assembly	
	RU part name	дверь arrestor ассамблеи			RU part name	замок ассамблеи	
	Size:mm				Size:mm	460*150*120	
	Weight:kg	0.43			Weight:kg	3.2	
	NO.	NO.109-1-4			NO.	NO.109-9	
Remarks: SHACMAN F3000 F2000 81.62690.6026				Remarks: SHACMAN F3000 F2000			
KD1851				KD1852			
	Part No.	81.62680.6095			Part No.	81.62680.6096	
	CH part name	左锁块			CH part name	右锁块	
	EN part name	Left door lock block			EN part name	Right door lock block	
	RU part name	Замок двери левый			RU part name	Замок двери левый	
	Size:mm	70*45*20			Size:mm	70*45*20	
	Weight:kg	0.2			Weight:kg	0.2	
	NO.	NO.109-11			NO.	NO.109-11	
Remarks: SHACMAN F3000 F2000				Remarks: SHACMAN F3000 F2000			

SHACMAN(1)

	<table border="1"> <tr><td>Part No.</td><td>SZ133000701</td></tr> <tr><td>CH part name</td><td>车门外手柄总成</td></tr> <tr><td>EN part name</td><td>Left door outer handle</td></tr> <tr><td>RU part name</td><td>Наружная ручка в сборе</td></tr> <tr><td>Size:mm</td><td>270*68*55</td></tr> <tr><td>Weight:kg</td><td>0.225</td></tr> <tr><td>NO.</td><td>NO.110-25</td></tr> </table>	Part No.	SZ133000701	CH part name	车门外手柄总成	EN part name	Left door outer handle	RU part name	Наружная ручка в сборе	Size:mm	270*68*55	Weight:kg	0.225	NO.	NO.110-25		<table border="1"> <tr><td>Part No.</td><td>81.62640.6058</td></tr> <tr><td>CH part name</td><td>右玻璃升降器</td></tr> <tr><td>EN part name</td><td>Right window lifter</td></tr> <tr><td>RU part name</td><td>Стеклоподъемник левой двери</td></tr> <tr><td>Size:mm</td><td>500*280*80</td></tr> <tr><td>Weight:kg</td><td>2.8</td></tr> <tr><td>NO.</td><td>NO.110-1</td></tr> </table>	Part No.	81.62640.6058	CH part name	右玻璃升降器	EN part name	Right window lifter	RU part name	Стеклоподъемник левой двери	Size:mm	500*280*80	Weight:kg	2.8	NO.	NO.110-1
Part No.	SZ133000701																														
CH part name	车门外手柄总成																														
EN part name	Left door outer handle																														
RU part name	Наружная ручка в сборе																														
Size:mm	270*68*55																														
Weight:kg	0.225																														
NO.	NO.110-25																														
Part No.	81.62640.6058																														
CH part name	右玻璃升降器																														
EN part name	Right window lifter																														
RU part name	Стеклоподъемник левой двери																														
Size:mm	500*280*80																														
Weight:kg	2.8																														
NO.	NO.110-1																														
Remarks: SHACMAN F3000 F2000		Remarks: SHACMAN F3000 F2000																													
DOOR ARRESTOR AND DOOR /ACUATING SYSTEM RIGHT NO.110																															
			<table border="1"> <tr><td>Part No.</td><td>81.62640.6057</td></tr> <tr><td>CH part name</td><td>左玻璃升降器</td></tr> <tr><td>EN part name</td><td>Left window lifter</td></tr> <tr><td>RU part name</td><td>Стеклоподъемник левой двери</td></tr> <tr><td>Size:mm</td><td>500*280*80</td></tr> <tr><td>Weight:kg</td><td>2.8</td></tr> <tr><td>NO.</td><td>NO.110-1</td></tr> </table>	Part No.	81.62640.6057	CH part name	左玻璃升降器	EN part name	Left window lifter	RU part name	Стеклоподъемник левой двери	Size:mm	500*280*80	Weight:kg	2.8	NO.	NO.110-1														
Part No.	81.62640.6057																														
CH part name	左玻璃升降器																														
EN part name	Left window lifter																														
RU part name	Стеклоподъемник левой двери																														
Size:mm	500*280*80																														
Weight:kg	2.8																														
NO.	NO.110-1																														
Remarks: SHACMAN F3000 F2000		Remarks: SHACMAN F3000 F2000																													
	<table border="1"> <tr><td>Part No.</td><td>81.62640.6049</td></tr> <tr><td>CH part name</td><td>玻璃升降器左</td></tr> <tr><td>EN part name</td><td>Left window lifter</td></tr> <tr><td>RU part name</td><td>Стеклоподъемник левой двери</td></tr> <tr><td>Size:mm</td><td>500*280*80</td></tr> <tr><td>Weight:kg</td><td>1.8</td></tr> <tr><td>NO.</td><td>NO.110-1</td></tr> </table>	Part No.	81.62640.6049	CH part name	玻璃升降器左	EN part name	Left window lifter	RU part name	Стеклоподъемник левой двери	Size:mm	500*280*80	Weight:kg	1.8	NO.	NO.110-1		<table border="1"> <tr><td>Part No.</td><td>81.62641.6052</td></tr> <tr><td>CH part name</td><td>玻璃升降器把手</td></tr> <tr><td>EN part name</td><td>Window lifter crank</td></tr> <tr><td>RU part name</td><td>Ручка стеклоподъемника</td></tr> <tr><td>Size:mm</td><td>120*40*360</td></tr> <tr><td>Weight:kg</td><td>0.08</td></tr> <tr><td>NO.</td><td>NO.110-4</td></tr> </table>	Part No.	81.62641.6052	CH part name	玻璃升降器把手	EN part name	Window lifter crank	RU part name	Ручка стеклоподъемника	Size:mm	120*40*360	Weight:kg	0.08	NO.	NO.110-4
Part No.	81.62640.6049																														
CH part name	玻璃升降器左																														
EN part name	Left window lifter																														
RU part name	Стеклоподъемник левой двери																														
Size:mm	500*280*80																														
Weight:kg	1.8																														
NO.	NO.110-1																														
Part No.	81.62641.6052																														
CH part name	玻璃升降器把手																														
EN part name	Window lifter crank																														
RU part name	Ручка стеклоподъемника																														
Size:mm	120*40*360																														
Weight:kg	0.08																														
NO.	NO.110-4																														
Remarks: SHACMAN F3000 F2000		Remarks: SHACMAN F3000 F2000																													
	<table border="1"> <tr><td>Part No.</td><td>81.62640.6049</td></tr> <tr><td>CH part name</td><td>玻璃升降器左</td></tr> <tr><td>EN part name</td><td>Left window lifter</td></tr> <tr><td>RU part name</td><td>Стеклоподъемник левой двери</td></tr> <tr><td>Size:mm</td><td>500*280*80</td></tr> <tr><td>Weight:kg</td><td>1.8</td></tr> <tr><td>NO.</td><td>NO.110-1</td></tr> </table>	Part No.	81.62640.6049	CH part name	玻璃升降器左	EN part name	Left window lifter	RU part name	Стеклоподъемник левой двери	Size:mm	500*280*80	Weight:kg	1.8	NO.	NO.110-1		<table border="1"> <tr><td>Part No.</td><td>81.62640.6050</td></tr> <tr><td>CH part name</td><td>玻璃升降器右</td></tr> <tr><td>EN part name</td><td>Left window lifter</td></tr> <tr><td>RU part name</td><td>Стеклоподъемник левой двери</td></tr> <tr><td>Size:mm</td><td>500*280*80</td></tr> <tr><td>Weight:kg</td><td>1.8</td></tr> <tr><td>NO.</td><td>NO.110-1</td></tr> </table>	Part No.	81.62640.6050	CH part name	玻璃升降器右	EN part name	Left window lifter	RU part name	Стеклоподъемник левой двери	Size:mm	500*280*80	Weight:kg	1.8	NO.	NO.110-1
Part No.	81.62640.6049																														
CH part name	玻璃升降器左																														
EN part name	Left window lifter																														
RU part name	Стеклоподъемник левой двери																														
Size:mm	500*280*80																														
Weight:kg	1.8																														
NO.	NO.110-1																														
Part No.	81.62640.6050																														
CH part name	玻璃升降器右																														
EN part name	Left window lifter																														
RU part name	Стеклоподъемник левой двери																														
Size:mm	500*280*80																														
Weight:kg	1.8																														
NO.	NO.110-1																														





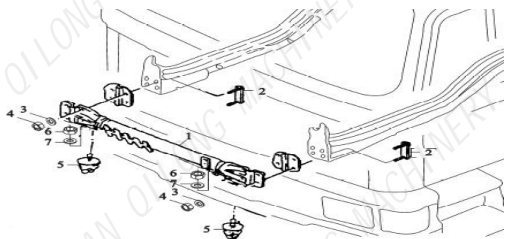
SHACMAN(1)

	<table border="1"> <tr><td>Part No.</td><td>81.62630.5096</td></tr> <tr><td>CH part name</td><td>右内饰板</td></tr> <tr><td>EN part name</td><td>Right door lining assy.</td></tr> <tr><td>RU part name</td><td>Панель двери внутренняя(правая)</td></tr> <tr><td>Size:mm</td><td>1050*550*80</td></tr> <tr><td>Weight:kg</td><td>2</td></tr> <tr><td>NO.</td><td>NO.111-1</td></tr> </table>	Part No.	81.62630.5096	CH part name	右内饰板	EN part name	Right door lining assy.	RU part name	Панель двери внутренняя(правая)	Size:mm	1050*550*80	Weight:kg	2	NO.	NO.111-1		<table border="1"> <tr><td>Part No.</td><td>81.62630.5095</td></tr> <tr><td>CH part name</td><td>左内饰板</td></tr> <tr><td>EN part name</td><td>Left door lining assy.</td></tr> <tr><td>RU part name</td><td>Панель двери внутренняя(левая)</td></tr> <tr><td>Size:mm</td><td>1050*550*80</td></tr> <tr><td>Weight:kg</td><td>2</td></tr> <tr><td>NO.</td><td>NO.111-1</td></tr> </table>	Part No.	81.62630.5095	CH part name	左内饰板	EN part name	Left door lining assy.	RU part name	Панель двери внутренняя(левая)	Size:mm	1050*550*80	Weight:kg	2	NO.	NO.111-1
Part No.	81.62630.5096																														
CH part name	右内饰板																														
EN part name	Right door lining assy.																														
RU part name	Панель двери внутренняя(правая)																														
Size:mm	1050*550*80																														
Weight:kg	2																														
NO.	NO.111-1																														
Part No.	81.62630.5095																														
CH part name	左内饰板																														
EN part name	Left door lining assy.																														
RU part name	Панель двери внутренняя(левая)																														
Size:mm	1050*550*80																														
Weight:kg	2																														
NO.	NO.111-1																														
Remarks: SHACMAN F2000 F3000 DZ13241330260		Remarks: SHACMAN F2000 F3000 DZ13241330250																													
DOOR COVERING LEFT/DOOR COVERING RIGHT		NO.111																													
																															
KD1863		KD1864																													
	<table border="1"> <tr><td>Part No.</td><td>DZ13241330220</td></tr> <tr><td>CH part name</td><td>右中饰板总成</td></tr> <tr><td>EN part name</td><td>Left door panel assy.</td></tr> <tr><td>RU part name</td><td>Панель двери облицовочная правая</td></tr> <tr><td>Size:mm</td><td></td></tr> <tr><td>Weight:kg</td><td>1.98</td></tr> <tr><td>NO.</td><td>NO.111-1</td></tr> </table>	Part No.	DZ13241330220	CH part name	右中饰板总成	EN part name	Left door panel assy.	RU part name	Панель двери облицовочная правая	Size:mm		Weight:kg	1.98	NO.	NO.111-1		<table border="1"> <tr><td>Part No.</td><td>DZ13241330210</td></tr> <tr><td>CH part name</td><td>左中饰板总成</td></tr> <tr><td>EN part name</td><td>Left door panel assy.</td></tr> <tr><td>RU part name</td><td>Панель двери облицовочная правая</td></tr> <tr><td>Size:mm</td><td></td></tr> <tr><td>Weight:kg</td><td>1.98</td></tr> <tr><td>NO.</td><td>NO.111-1</td></tr> </table>	Part No.	DZ13241330210	CH part name	左中饰板总成	EN part name	Left door panel assy.	RU part name	Панель двери облицовочная правая	Size:mm		Weight:kg	1.98	NO.	NO.111-1
Part No.	DZ13241330220																														
CH part name	右中饰板总成																														
EN part name	Left door panel assy.																														
RU part name	Панель двери облицовочная правая																														
Size:mm																															
Weight:kg	1.98																														
NO.	NO.111-1																														
Part No.	DZ13241330210																														
CH part name	左中饰板总成																														
EN part name	Left door panel assy.																														
RU part name	Панель двери облицовочная правая																														
Size:mm																															
Weight:kg	1.98																														
NO.	NO.111-1																														
Remarks: SHACMAN F3000		Remarks: SHACMAN F3000																													



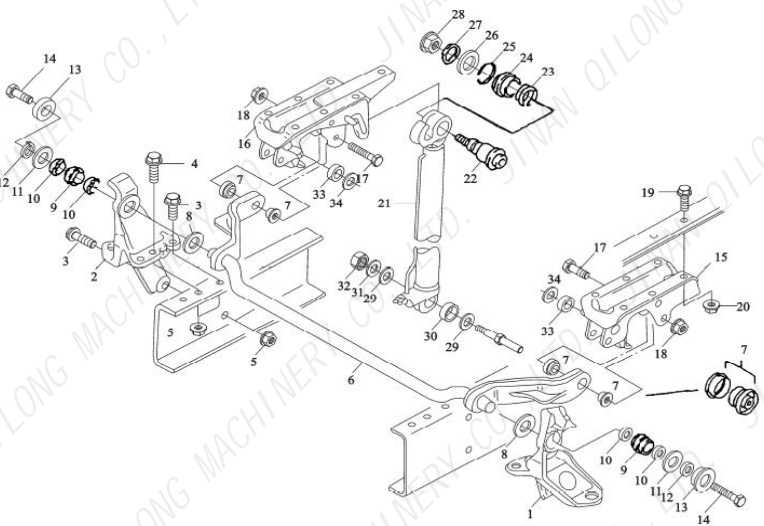




SHACMAN(1)

	<table border="1"> <tr><td>Part No.</td><td>DZ13241330240/230</td></tr> <tr><td>CH part name</td><td>左右车门扶手总成</td></tr> <tr><td>EN part name</td><td>Inner handle</td></tr> <tr><td>RU part name</td><td>Дверная ручка внутренняя</td></tr> <tr><td>Size:mm</td><td>220*35*40</td></tr> <tr><td>Weight:kg</td><td>0.2</td></tr> <tr><td>NO.</td><td>NO.111-18</td></tr> </table>	Part No.	DZ13241330240/230	CH part name	左右车门扶手总成	EN part name	Inner handle	RU part name	Дверная ручка внутренняя	Size:mm	220*35*40	Weight:kg	0.2	NO.	NO.111-18		<table border="1"> <tr><td>Part No.</td><td>81.62630.6020</td></tr> <tr><td>CH part name</td><td>左右车门镶板总成</td></tr> <tr><td>EN part name</td><td>Right door panel assy.</td></tr> <tr><td>RU part name</td><td>Панель двери облицовочная правая</td></tr> <tr><td>Size:mm</td><td>900*350*100</td></tr> <tr><td>Weight:kg</td><td>1.3</td></tr> <tr><td>NO.</td><td>NO.111-1</td></tr> </table>	Part No.	81.62630.6020	CH part name	左右车门镶板总成	EN part name	Right door panel assy.	RU part name	Панель двери облицовочная правая	Size:mm	900*350*100	Weight:kg	1.3	NO.	NO.111-1
Part No.	DZ13241330240/230																														
CH part name	左右车门扶手总成																														
EN part name	Inner handle																														
RU part name	Дверная ручка внутренняя																														
Size:mm	220*35*40																														
Weight:kg	0.2																														
NO.	NO.111-18																														
Part No.	81.62630.6020																														
CH part name	左右车门镶板总成																														
EN part name	Right door panel assy.																														
RU part name	Панель двери облицовочная правая																														
Size:mm	900*350*100																														
Weight:kg	1.3																														
NO.	NO.111-1																														
Remarks: SHACMAN F3000		Remarks: SHACMAN F2000 F3000																													
DOOR WINDOW LEFT WITHOUT/ WINDOW CRANK		NO.112																													
			<table border="1"> <tr><td>Part No.</td><td>81.62641.0099</td></tr> <tr><td>CH part name</td><td>左右车门内把手</td></tr> <tr><td>EN part name</td><td>Right door inner handle</td></tr> <tr><td>RU part name</td><td>Ручка двери внутренняя правая</td></tr> <tr><td>Size:mm</td><td>130*450*60</td></tr> <tr><td>Weight:kg</td><td>0.1</td></tr> <tr><td>NO.</td><td>NO.111-2</td></tr> </table>	Part No.	81.62641.0099	CH part name	左右车门内把手	EN part name	Right door inner handle	RU part name	Ручка двери внутренняя правая	Size:mm	130*450*60	Weight:kg	0.1	NO.	NO.111-2														
Part No.	81.62641.0099																														
CH part name	左右车门内把手																														
EN part name	Right door inner handle																														
RU part name	Ручка двери внутренняя правая																														
Size:mm	130*450*60																														
Weight:kg	0.1																														
NO.	NO.111-2																														
Remarks: SHACMAN F2000 F3000		81.62641.0100																													
			<table border="1"> <tr><td>Part No.</td><td>81.62651.0045</td></tr> <tr><td>CH part name</td><td>密封条</td></tr> <tr><td>EN part name</td><td>Seal strip</td></tr> <tr><td>RU part name</td><td>печать газа</td></tr> <tr><td>Size:mm</td><td></td></tr> <tr><td>Weight:kg</td><td>0.045</td></tr> <tr><td>NO.</td><td>NO.112-5</td></tr> </table>	Part No.	81.62651.0045	CH part name	密封条	EN part name	Seal strip	RU part name	печать газа	Size:mm		Weight:kg	0.045	NO.	NO.112-5														
Part No.	81.62651.0045																														
CH part name	密封条																														
EN part name	Seal strip																														
RU part name	печать газа																														
Size:mm																															
Weight:kg	0.045																														
NO.	NO.112-5																														
Remarks: SHACMAN F2000 F3000		Remarks: SHACMAN F2000 F3000																													
	<table border="1"> <tr><td>Part No.</td><td>81.62640.0081</td></tr> <tr><td>CH part name</td><td>车门导轨</td></tr> <tr><td>EN part name</td><td>Guide rail for window rear</td></tr> <tr><td>RU part name</td><td>Выпивка рельс</td></tr> <tr><td>Size:mm</td><td></td></tr> <tr><td>Weight:kg</td><td>0.2</td></tr> <tr><td>NO.</td><td>NO.112-1</td></tr> </table>	Part No.	81.62640.0081	CH part name	车门导轨	EN part name	Guide rail for window rear	RU part name	Выпивка рельс	Size:mm		Weight:kg	0.2	NO.	NO.112-1		<table border="1"> <tr><td>Part No.</td><td>81.62651.0050</td></tr> <tr><td>CH part name</td><td>密封条</td></tr> <tr><td>EN part name</td><td>Seal strip</td></tr> <tr><td>RU part name</td><td>печать газа</td></tr> <tr><td>Size:mm</td><td></td></tr> <tr><td>Weight:kg</td><td>0.05</td></tr> <tr><td>NO.</td><td>NO.112-4</td></tr> </table>	Part No.	81.62651.0050	CH part name	密封条	EN part name	Seal strip	RU part name	печать газа	Size:mm		Weight:kg	0.05	NO.	NO.112-4
Part No.	81.62640.0081																														
CH part name	车门导轨																														
EN part name	Guide rail for window rear																														
RU part name	Выпивка рельс																														
Size:mm																															
Weight:kg	0.2																														
NO.	NO.112-1																														
Part No.	81.62651.0050																														
CH part name	密封条																														
EN part name	Seal strip																														
RU part name	печать газа																														
Size:mm																															
Weight:kg	0.05																														
NO.	NO.112-4																														
Remarks: SHACMAN F2000 F3000		Remarks: SHACMAN F2000 F3000																													

SHACMAN(1)

	<table border="1"> <tr><td>Part No.</td><td>DZ1643330012</td></tr> <tr><td>CH part name</td><td>车门玻璃总成(右)</td></tr> <tr><td>EN part name</td><td>Door glass assembly</td></tr> <tr><td>RU part name</td><td>двери, стекла, ассамблея</td></tr> <tr><td>Size:mm</td><td></td></tr> <tr><td>Weight:kg</td><td>1.56</td></tr> <tr><td>NO.</td><td>NO.112-6</td></tr> </table>	Part No.	DZ1643330012	CH part name	车门玻璃总成(右)	EN part name	Door glass assembly	RU part name	двери, стекла, ассамблея	Size:mm		Weight:kg	1.56	NO.	NO.112-6		<table border="1"> <tr><td>Part No.</td><td>DZ1643330011</td></tr> <tr><td>CH part name</td><td>车门玻璃总成(左)</td></tr> <tr><td>EN part name</td><td>Door glass assembly</td></tr> <tr><td>RU part name</td><td>двери, стекла, ассамблея</td></tr> <tr><td>Size:mm</td><td></td></tr> <tr><td>Weight:kg</td><td>1.56</td></tr> <tr><td>NO.</td><td>NO.112-6</td></tr> </table>	Part No.	DZ1643330011	CH part name	车门玻璃总成(左)	EN part name	Door glass assembly	RU part name	двери, стекла, ассамблея	Size:mm		Weight:kg	1.56	NO.	NO.112-6
Part No.	DZ1643330012																														
CH part name	车门玻璃总成(右)																														
EN part name	Door glass assembly																														
RU part name	двери, стекла, ассамблея																														
Size:mm																															
Weight:kg	1.56																														
NO.	NO.112-6																														
Part No.	DZ1643330011																														
CH part name	车门玻璃总成(左)																														
EN part name	Door glass assembly																														
RU part name	двери, стекла, ассамблея																														
Size:mm																															
Weight:kg	1.56																														
NO.	NO.112-6																														
Remarks: SHACMAN F2000 F3000		Remarks: SHACMAN F2000 F3000																													
	<table border="1"> <tr><td>Part No.</td><td>DZ1643350012</td></tr> <tr><td>CH part name</td><td>角窗玻璃(右)</td></tr> <tr><td>EN part name</td><td>Door glass</td></tr> <tr><td>RU part name</td><td>двери, стекла</td></tr> <tr><td>Size:mm</td><td></td></tr> <tr><td>Weight:kg</td><td>0.85</td></tr> <tr><td>NO.</td><td>NO.112-1</td></tr> </table>	Part No.	DZ1643350012	CH part name	角窗玻璃(右)	EN part name	Door glass	RU part name	двери, стекла	Size:mm		Weight:kg	0.85	NO.	NO.112-1		<table border="1"> <tr><td>Part No.</td><td>DZ1643350011</td></tr> <tr><td>CH part name</td><td>角窗玻璃(左)</td></tr> <tr><td>EN part name</td><td>Door glass</td></tr> <tr><td>RU part name</td><td>двери, стекла</td></tr> <tr><td>Size:mm</td><td></td></tr> <tr><td>Weight:kg</td><td>0.85</td></tr> <tr><td>NO.</td><td>NO.112-1</td></tr> </table>	Part No.	DZ1643350011	CH part name	角窗玻璃(左)	EN part name	Door glass	RU part name	двери, стекла	Size:mm		Weight:kg	0.85	NO.	NO.112-1
Part No.	DZ1643350012																														
CH part name	角窗玻璃(右)																														
EN part name	Door glass																														
RU part name	двери, стекла																														
Size:mm																															
Weight:kg	0.85																														
NO.	NO.112-1																														
Part No.	DZ1643350011																														
CH part name	角窗玻璃(左)																														
EN part name	Door glass																														
RU part name	двери, стекла																														
Size:mm																															
Weight:kg	0.85																														
NO.	NO.112-1																														
Remarks: SHACMAN F2000 F3000		Remarks: SHACMAN F2000 F3000																													
	<table border="1"> <tr><td>Part No.</td><td>81.62630.0048</td></tr> <tr><td>CH part name</td><td>右窗框</td></tr> <tr><td>EN part name</td><td>Left window frame</td></tr> <tr><td>RU part name</td><td>Накладка оконная (левая)</td></tr> <tr><td>Size:mm</td><td>1100*550*80</td></tr> <tr><td>Weight:kg</td><td>3.2</td></tr> <tr><td>NO.</td><td>NO.112-7</td></tr> </table>	Part No.	81.62630.0048	CH part name	右窗框	EN part name	Left window frame	RU part name	Накладка оконная (левая)	Size:mm	1100*550*80	Weight:kg	3.2	NO.	NO.112-7		<table border="1"> <tr><td>Part No.</td><td>81.62630.0047</td></tr> <tr><td>CH part name</td><td>左窗框</td></tr> <tr><td>EN part name</td><td>Left window frame</td></tr> <tr><td>RU part name</td><td>Накладка оконная (левая)</td></tr> <tr><td>Size:mm</td><td>1100*550*80</td></tr> <tr><td>Weight:kg</td><td>3.2</td></tr> <tr><td>NO.</td><td>NO.112-7</td></tr> </table>	Part No.	81.62630.0047	CH part name	左窗框	EN part name	Left window frame	RU part name	Накладка оконная (левая)	Size:mm	1100*550*80	Weight:kg	3.2	NO.	NO.112-7
Part No.	81.62630.0048																														
CH part name	右窗框																														
EN part name	Left window frame																														
RU part name	Накладка оконная (левая)																														
Size:mm	1100*550*80																														
Weight:kg	3.2																														
NO.	NO.112-7																														
Part No.	81.62630.0047																														
CH part name	左窗框																														
EN part name	Left window frame																														
RU part name	Накладка оконная (левая)																														
Size:mm	1100*550*80																														
Weight:kg	3.2																														
NO.	NO.112-7																														
Remarks: SHACMAN F2000 F3000		Remarks: SHACMAN F2000 F3000																													
CROSS REINFORCEMENT FLOOR/SUPPORT		NO.113																													
			<table border="1"> <tr><td>Part No.</td><td>81.96120.0885</td></tr> <tr><td>CH part name</td><td>角窗密封框</td></tr> <tr><td>EN part name</td><td>Sealing frame</td></tr> <tr><td>RU part name</td><td>герметизация кадр</td></tr> <tr><td>Size:mm</td><td></td></tr> <tr><td>Weight:kg</td><td>0.5</td></tr> <tr><td>NO.</td><td>NO.112-2-3</td></tr> </table>	Part No.	81.96120.0885	CH part name	角窗密封框	EN part name	Sealing frame	RU part name	герметизация кадр	Size:mm		Weight:kg	0.5	NO.	NO.112-2-3														
Part No.	81.96120.0885																														
CH part name	角窗密封框																														
EN part name	Sealing frame																														
RU part name	герметизация кадр																														
Size:mm																															
Weight:kg	0.5																														
NO.	NO.112-2-3																														
		Remarks: SHACMAN F2000 F3000 A0.00182.8078																													






SHACMAN(1)

	<table border="1"> <tr><td>Part No.</td><td>SZ197000001</td></tr> <tr><td>CH part name</td><td>横梁总成</td></tr> <tr><td>EN part name</td><td>Cross reinforcement assembly</td></tr> <tr><td>RU part name</td><td>Поперечная балка</td></tr> <tr><td>Size:mm</td><td>1350*160*120</td></tr> <tr><td>Weight:kg</td><td>3.5</td></tr> <tr><td>NO.</td><td>NO.113-1</td></tr> </table>	Part No.	SZ197000001	CH part name	横梁总成	EN part name	Cross reinforcement assembly	RU part name	Поперечная балка	Size:mm	1350*160*120	Weight:kg	3.5	NO.	NO.113-1		<table border="1"> <tr><td>Part No.</td><td>DZ13241430536</td></tr> <tr><td>CH part name</td><td>缓冲块</td></tr> <tr><td>EN part name</td><td>Cushion</td></tr> <tr><td>RU part name</td><td>подушки</td></tr> <tr><td>Size:mm</td><td>60*35*35</td></tr> <tr><td>Weight:kg</td><td>0.15</td></tr> <tr><td>NO.</td><td>NO.113-5</td></tr> </table>	Part No.	DZ13241430536	CH part name	缓冲块	EN part name	Cushion	RU part name	подушки	Size:mm	60*35*35	Weight:kg	0.15	NO.	NO.113-5
Part No.	SZ197000001																														
CH part name	横梁总成																														
EN part name	Cross reinforcement assembly																														
RU part name	Поперечная балка																														
Size:mm	1350*160*120																														
Weight:kg	3.5																														
NO.	NO.113-1																														
Part No.	DZ13241430536																														
CH part name	缓冲块																														
EN part name	Cushion																														
RU part name	подушки																														
Size:mm	60*35*35																														
Weight:kg	0.15																														
NO.	NO.113-5																														
Remarks: SHACMAN F2000 F3000 X3000 新M3000 81.62821.5049		Remarks: SHACMAN F2000 F3000 X3000 新M3000																													
CAB TILTING MECHANISM L.H. / DRIVE VEHICLE NO.114																															
		<table border="1"> <tr><td>Part No.</td><td>DZ1640430201</td></tr> <tr><td>CH part name</td><td>驾驶室前悬置分装总成</td></tr> <tr><td>EN part name</td><td>Cabin tilting shaft</td></tr> <tr><td>RU part name</td><td>Рукав фиксирующий кабины</td></tr> <tr><td>Size:mm</td><td>1300*350*80</td></tr> <tr><td>Weight:kg</td><td>53.1</td></tr> <tr><td>NO.</td><td>NO.114-6</td></tr> </table>	Part No.	DZ1640430201	CH part name	驾驶室前悬置分装总成	EN part name	Cabin tilting shaft	RU part name	Рукав фиксирующий кабины	Size:mm	1300*350*80	Weight:kg	53.1	NO.	NO.114-6															
Part No.	DZ1640430201																														
CH part name	驾驶室前悬置分装总成																														
EN part name	Cabin tilting shaft																														
RU part name	Рукав фиксирующий кабины																														
Size:mm	1300*350*80																														
Weight:kg	53.1																														
NO.	NO.114-6																														
Remarks: SHACMAN F2000 F3000		Remarks: SHACMAN F2000 F3000 X3000 新M3000 右置																													
		<table border="1"> <tr><td>Part No.</td><td>81.41720.6060</td></tr> <tr><td>CH part name</td><td>驾驶室右托架总成</td></tr> <tr><td>EN part name</td><td>Right cabin tilting bracket</td></tr> <tr><td>RU part name</td><td>Правый кронштейн передней подвески</td></tr> <tr><td>Size:mm</td><td>450*280*180</td></tr> <tr><td>Weight:kg</td><td>12.3</td></tr> <tr><td>NO.</td><td>NO.114-2</td></tr> </table>	Part No.	81.41720.6060	CH part name	驾驶室右托架总成	EN part name	Right cabin tilting bracket	RU part name	Правый кронштейн передней подвески	Size:mm	450*280*180	Weight:kg	12.3	NO.	NO.114-2															
Part No.	81.41720.6060																														
CH part name	驾驶室右托架总成																														
EN part name	Right cabin tilting bracket																														
RU part name	Правый кронштейн передней подвески																														
Size:mm	450*280*180																														
Weight:kg	12.3																														
NO.	NO.114-2																														
Remarks: SHACMAN F2000 F3000 新M3000 右置		Remarks: SHACMAN F2000 F3000 新M3000 右置																													
	<table border="1"> <tr><td>Part No.</td><td>DZ1640430020</td></tr> <tr><td>CH part name</td><td>驾驶室前悬置右支座</td></tr> <tr><td>EN part name</td><td>Right cabin tilting bracket</td></tr> <tr><td>RU part name</td><td>Правый кронштейн передней подвески</td></tr> <tr><td>Size:mm</td><td>450*280*180</td></tr> <tr><td>Weight:kg</td><td>12.3</td></tr> <tr><td>NO.</td><td>NO.114-2</td></tr> </table>	Part No.	DZ1640430020	CH part name	驾驶室前悬置右支座	EN part name	Right cabin tilting bracket	RU part name	Правый кронштейн передней подвески	Size:mm	450*280*180	Weight:kg	12.3	NO.	NO.114-2		<table border="1"> <tr><td>Part No.</td><td>81.41720.6061</td></tr> <tr><td>CH part name</td><td>驾驶室左托架总成</td></tr> <tr><td>EN part name</td><td>Left cabin tilting bracket</td></tr> <tr><td>RU part name</td><td>Левый кронштейн передней подвески</td></tr> <tr><td>Size:mm</td><td>450*280*180</td></tr> <tr><td>Weight:kg</td><td>12.3</td></tr> <tr><td>NO.</td><td>NO.114-1</td></tr> </table>	Part No.	81.41720.6061	CH part name	驾驶室左托架总成	EN part name	Left cabin tilting bracket	RU part name	Левый кронштейн передней подвески	Size:mm	450*280*180	Weight:kg	12.3	NO.	NO.114-1
Part No.	DZ1640430020																														
CH part name	驾驶室前悬置右支座																														
EN part name	Right cabin tilting bracket																														
RU part name	Правый кронштейн передней подвески																														
Size:mm	450*280*180																														
Weight:kg	12.3																														
NO.	NO.114-2																														
Part No.	81.41720.6061																														
CH part name	驾驶室左托架总成																														
EN part name	Left cabin tilting bracket																														
RU part name	Левый кронштейн передней подвески																														
Size:mm	450*280*180																														
Weight:kg	12.3																														
NO.	NO.114-1																														
Remarks: SHACMAN F2000 X3000		Remarks: SHACMAN F2000 F3000 新M3000 右置																													

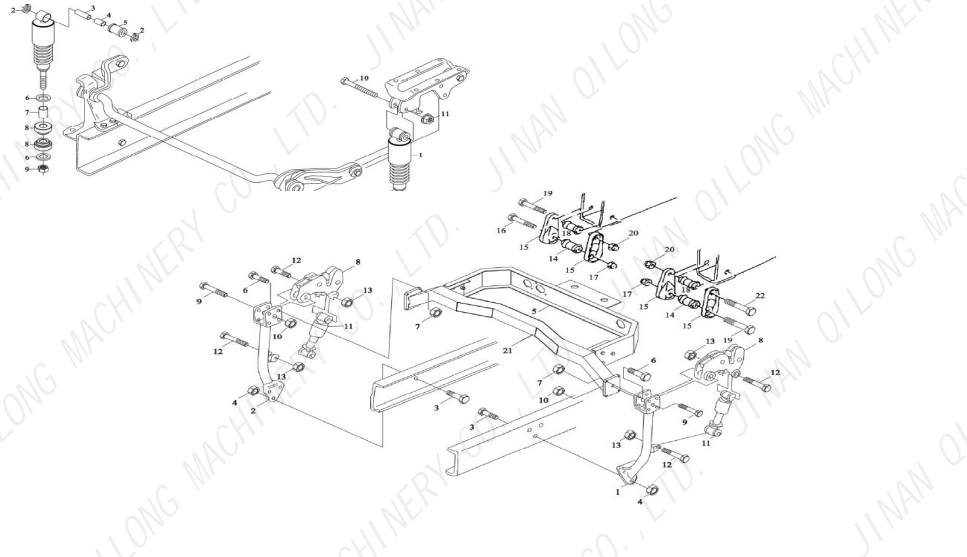


SHACMAN(1)

	<table border="1"> <tr><td>Part No.</td><td>DZ1640430010</td></tr> <tr><td>CH part name</td><td>驾驶室前悬置左支座</td></tr> <tr><td>EN part name</td><td>Left cabin tilting bracket</td></tr> <tr><td>RU part name</td><td>Левый кронштейн передней подвески</td></tr> <tr><td>Size:mm</td><td>450*280*180</td></tr> <tr><td>Weight:kg</td><td>12.3</td></tr> <tr><td>NO.</td><td>NO.86-1</td></tr> </table>	Part No.	DZ1640430010	CH part name	驾驶室前悬置左支座	EN part name	Left cabin tilting bracket	RU part name	Левый кронштейн передней подвески	Size:mm	450*280*180	Weight:kg	12.3	NO.	NO.86-1		<table border="1"> <tr><td>Part No.</td><td>DZ13241430090</td></tr> <tr><td>CH part name</td><td>翻转轴总成</td></tr> <tr><td>EN part name</td><td>Cabin tilting shaft</td></tr> <tr><td>RU part name</td><td>Рукав фиксирующий кабины</td></tr> <tr><td>Size:mm</td><td>1250*350*80</td></tr> <tr><td>Weight:kg</td><td>24</td></tr> <tr><td>NO.</td><td>NO.86-6</td></tr> </table>	Part No.	DZ13241430090	CH part name	翻转轴总成	EN part name	Cabin tilting shaft	RU part name	Рукав фиксирующий кабины	Size:mm	1250*350*80	Weight:kg	24	NO.	NO.86-6
Part No.	DZ1640430010																														
CH part name	驾驶室前悬置左支座																														
EN part name	Left cabin tilting bracket																														
RU part name	Левый кронштейн передней подвески																														
Size:mm	450*280*180																														
Weight:kg	12.3																														
NO.	NO.86-1																														
Part No.	DZ13241430090																														
CH part name	翻转轴总成																														
EN part name	Cabin tilting shaft																														
RU part name	Рукав фиксирующий кабины																														
Size:mm	1250*350*80																														
Weight:kg	24																														
NO.	NO.86-6																														
Remarks: SHACMAN F2000 X3000		Remarks: SHACMAN F2000 F3000 新M3000 DZ13241430080可通用 81.41715.6010																													
	<table border="1"> <tr><td>Part No.</td><td>DZ13241430085</td></tr> <tr><td>CH part name</td><td>驾驶室翻衬套</td></tr> <tr><td>EN part name</td><td>Flip sleeve</td></tr> <tr><td>RU part name</td><td>оборот втулка</td></tr> <tr><td>Size:mm</td><td>80*80*90</td></tr> <tr><td>Weight:kg</td><td>0.56</td></tr> <tr><td>NO.</td><td>NO.114-7</td></tr> </table>	Part No.	DZ13241430085	CH part name	驾驶室翻衬套	EN part name	Flip sleeve	RU part name	оборот втулка	Size:mm	80*80*90	Weight:kg	0.56	NO.	NO.114-7		<table border="1"> <tr><td>Part No.</td><td>81.96210.0437</td></tr> <tr><td>CH part name</td><td>浮动轴套</td></tr> <tr><td>EN part name</td><td>Floating sleeve</td></tr> <tr><td>RU part name</td><td>плавающий вал муфты</td></tr> <tr><td>Size:mm</td><td></td></tr> <tr><td>Weight:kg</td><td>0.43</td></tr> <tr><td>NO.</td><td>NO.114-7</td></tr> </table>	Part No.	81.96210.0437	CH part name	浮动轴套	EN part name	Floating sleeve	RU part name	плавающий вал муфты	Size:mm		Weight:kg	0.43	NO.	NO.114-7
Part No.	DZ13241430085																														
CH part name	驾驶室翻衬套																														
EN part name	Flip sleeve																														
RU part name	оборот втулка																														
Size:mm	80*80*90																														
Weight:kg	0.56																														
NO.	NO.114-7																														
Part No.	81.96210.0437																														
CH part name	浮动轴套																														
EN part name	Floating sleeve																														
RU part name	плавающий вал муфты																														
Size:mm																															
Weight:kg	0.43																														
NO.	NO.114-7																														
Remarks: SHACMAN F2000 X-F3000 新M3000 81.96210.6061		Remarks: SHACMAN F2000 F3000																													
	<table border="1"> <tr><td>Part No.</td><td>06.36950.0510</td></tr> <tr><td>CH part name</td><td>轴承衬套</td></tr> <tr><td>EN part name</td><td>Bearing bush</td></tr> <tr><td>RU part name</td><td>с кустами</td></tr> <tr><td>Size:mm</td><td></td></tr> <tr><td>Weight:kg</td><td>0.15</td></tr> <tr><td>NO.</td><td>NO.114-9</td></tr> </table>	Part No.	06.36950.0510	CH part name	轴承衬套	EN part name	Bearing bush	RU part name	с кустами	Size:mm		Weight:kg	0.15	NO.	NO.114-9		<table border="1"> <tr><td>Part No.</td><td>81.90713.0909</td></tr> <tr><td>CH part name</td><td>垫片</td></tr> <tr><td>EN part name</td><td>Shim</td></tr> <tr><td>RU part name</td><td>Шим</td></tr> <tr><td>Size:mm</td><td>65*33*6</td></tr> <tr><td>Weight:kg</td><td>0.08</td></tr> <tr><td>NO.</td><td>NO.114-8</td></tr> </table>	Part No.	81.90713.0909	CH part name	垫片	EN part name	Shim	RU part name	Шим	Size:mm	65*33*6	Weight:kg	0.08	NO.	NO.114-8
Part No.	06.36950.0510																														
CH part name	轴承衬套																														
EN part name	Bearing bush																														
RU part name	с кустами																														
Size:mm																															
Weight:kg	0.15																														
NO.	NO.114-9																														
Part No.	81.90713.0909																														
CH part name	垫片																														
EN part name	Shim																														
RU part name	Шим																														
Size:mm	65*33*6																														
Weight:kg	0.08																														
NO.	NO.114-8																														
Remarks: SHACMAN F2000 F3000		Remarks: SHACMAN F2000 F3000																													
	<table border="1"> <tr><td>Part No.</td><td>81.96503.0129</td></tr> <tr><td>CH part name</td><td>垫片</td></tr> <tr><td>EN part name</td><td>shim</td></tr> <tr><td>RU part name</td><td>прокладка</td></tr> <tr><td>Size:mm</td><td>35.5*47*5</td></tr> <tr><td>Weight:kg</td><td>0.05</td></tr> <tr><td>NO.</td><td>NO.114-10</td></tr> </table>	Part No.	81.96503.0129	CH part name	垫片	EN part name	shim	RU part name	прокладка	Size:mm	35.5*47*5	Weight:kg	0.05	NO.	NO.114-10		<table border="1"> <tr><td>Part No.</td><td>81.96101.0638</td></tr> <tr><td>CH part name</td><td>垫片</td></tr> <tr><td>EN part name</td><td>shim</td></tr> <tr><td>RU part name</td><td>прокладка</td></tr> <tr><td>Size:mm</td><td>32*70*4</td></tr> <tr><td>Weight:kg</td><td>0.18</td></tr> <tr><td>NO.</td><td>NO.114-11</td></tr> </table>	Part No.	81.96101.0638	CH part name	垫片	EN part name	shim	RU part name	прокладка	Size:mm	32*70*4	Weight:kg	0.18	NO.	NO.114-11
Part No.	81.96503.0129																														
CH part name	垫片																														
EN part name	shim																														
RU part name	прокладка																														
Size:mm	35.5*47*5																														
Weight:kg	0.05																														
NO.	NO.114-10																														
Part No.	81.96101.0638																														
CH part name	垫片																														
EN part name	shim																														
RU part name	прокладка																														
Size:mm	32*70*4																														
Weight:kg	0.18																														
NO.	NO.114-11																														
Remarks: SHACMAN F2000 F3000		Remarks: SHACMAN F2000 F3000																													

SHACMAN(1)

	KD1892				KD1893			
	Part No.	81.96210.0407			Part No.	81.41720.5341		
	CH part name	橡胶垫			CH part name	翻转轴左支撑总成		
	EN part name	Rubber pad			EN part name	Bracket assembly left		
	RU part name	резиновые фон			RU part name	в возрастной группе от ассамблеи оставила		
	Size:mm	50*50*40			Size:mm			
	Weight:kg	0.2			Weight:kg	1.85		
NO.	NO.114-13		NO.	NO.114-15				
Remarks: SHACMAN F2000 F3000			Remarks: SHACMAN F2000 F3000					
	KD1894				KD1895			
	Part No.	DZ1640820020			Part No.	81.41720.5340		
	CH part name	翻转油缸			CH part name	翻转轴右支撑总成		
	EN part name	Tilting cylinder			EN part name	Bracket assembly right		
	RU part name	Гидроцилиндр подъема кабины			RU part name	в возрастной группе от ассамблеи право		
	Size:mm	620*120*80			Size:mm			
	Weight:kg	6			Weight:kg	1.56		
NO.	NO.114-21		NO.	NO.114-16				
Remarks: SHACMAN F2000 F3000 DZ93259820130 DZ93259820132			Remarks: SHACMAN F2000 F3000					
	KD1896				KD1897			
	Part No.	DZ1640820060			Part No.	DZ1640820070		
	CH part name	翻转油缸			CH part name	翻转油缸		
	EN part name	Tilting cylinder			EN part name	Tilting cylinder		
	RU part name	Гидроцилиндр подъема кабины			RU part name	Гидроцилиндр подъема кабины		
	Size:mm	620*120*80			Size:mm			
	Weight:kg	7.5			Weight:kg	7.5		
NO.	NO.114-21		NO.	NO.114-21				
Remarks: SHACMAN F2000 F3000 8*4 DZ93259820131			Remarks: SHACMAN F2000 F3000 Right set 右置 DZ1640820071					
	KD1898				KD1899			
	Part No.	DZ13241440150			Part No.	DZ13241430150		
	CH part name	驾驶室后减震器(加强型)			CH part name	前减震器(加强型)		
	EN part name	Rear cabin shock absorber			EN part name	Front cabin shock absorber		
	RU part name	Амортизатор кабины задний			RU part name	Амортизатор кабины		
	Size:mm	380*80*80			Size:mm	4110*70*70		
	Weight:kg	3.8			Weight:kg	4.4		
NO.	NO.115-11		NO.	NO.115-1				
Remarks: SHACMAN F2000 F3000 81.41722.6060 81.41722.6052 DZ13241440100			Remarks: SHACMAN F2000 F3000 DZ1640430030					



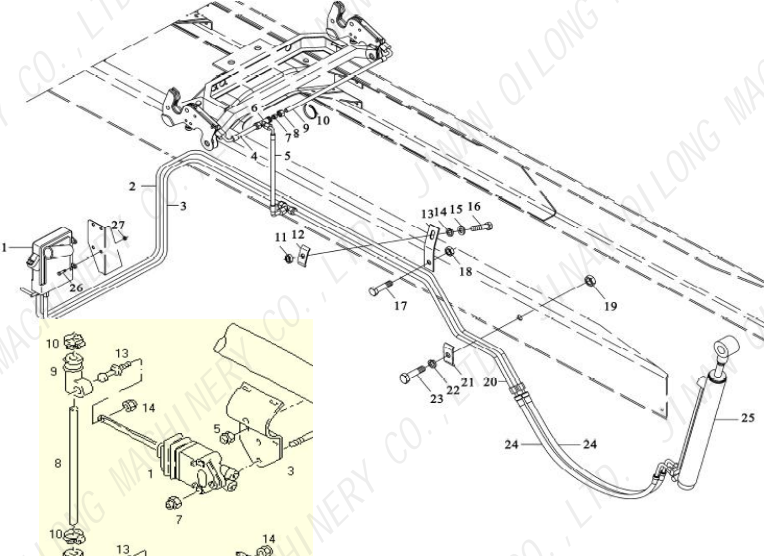





SHACMAN(1)

	<table border="1"> <tr><td>Part No.</td><td>81.41722.6052</td></tr> <tr><td>CH part name</td><td>驾驶室空气弹簧 (后)</td></tr> <tr><td>EN part name</td><td>Rear cabin shock absorber</td></tr> <tr><td>RU part name</td><td>Амортизатор кабины задний</td></tr> <tr><td>Size:mm</td><td>380*80*80</td></tr> <tr><td>Weight:kg</td><td>3</td></tr> <tr><td>NO.</td><td>NO.115-11</td></tr> </table>	Part No.	81.41722.6052	CH part name	驾驶室空气弹簧 (后)	EN part name	Rear cabin shock absorber	RU part name	Амортизатор кабины задний	Size:mm	380*80*80	Weight:kg	3	NO.	NO.115-11		<table border="1"> <tr><td>Part No.</td><td>81.41722.6051</td></tr> <tr><td>CH part name</td><td>空气弹簧(前)</td></tr> <tr><td>EN part name</td><td>Front cabin shock absorber</td></tr> <tr><td>RU part name</td><td>Амортизатор кабины</td></tr> <tr><td>Size:mm</td><td>4110*70*70</td></tr> <tr><td>Weight:kg</td><td>4.4</td></tr> <tr><td>NO.</td><td>NO.115-1</td></tr> </table>	Part No.	81.41722.6051	CH part name	空气弹簧(前)	EN part name	Front cabin shock absorber	RU part name	Амортизатор кабины	Size:mm	4110*70*70	Weight:kg	4.4	NO.	NO.115-1
Part No.	81.41722.6052																														
CH part name	驾驶室空气弹簧 (后)																														
EN part name	Rear cabin shock absorber																														
RU part name	Амортизатор кабины задний																														
Size:mm	380*80*80																														
Weight:kg	3																														
NO.	NO.115-11																														
Part No.	81.41722.6051																														
CH part name	空气弹簧(前)																														
EN part name	Front cabin shock absorber																														
RU part name	Амортизатор кабины																														
Size:mm	4110*70*70																														
Weight:kg	4.4																														
NO.	NO.115-1																														
Remarks: SHACMAN F2000 F3000		Remarks: SHACMAN F2000 F3000 新M3000																													
SPRING/CAB LOCKING DEVICE		NO.115																													
			<table border="1"> <tr><td>Part No.</td><td>DZ1640440150</td></tr> <tr><td>CH part name</td><td>左后悬置支架总成</td></tr> <tr><td>EN part name</td><td>Cab support assembly</td></tr> <tr><td>RU part name</td><td>поддержка ассамблеи такси</td></tr> <tr><td>Size:mm</td><td></td></tr> <tr><td>Weight:kg</td><td>9.5</td></tr> <tr><td>NO.</td><td>NO.115-1</td></tr> </table>	Part No.	DZ1640440150	CH part name	左后悬置支架总成	EN part name	Cab support assembly	RU part name	поддержка ассамблеи такси	Size:mm		Weight:kg	9.5	NO.	NO.115-1														
Part No.	DZ1640440150																														
CH part name	左后悬置支架总成																														
EN part name	Cab support assembly																														
RU part name	поддержка ассамблеи такси																														
Size:mm																															
Weight:kg	9.5																														
NO.	NO.115-1																														
Remarks: SHACMAN F2000 F3000		DZ1640440210																													
			<table border="1"> <tr><td>Part No.</td><td>DZ1640440160</td></tr> <tr><td>CH part name</td><td>右后悬置支架总成</td></tr> <tr><td>EN part name</td><td>Cab support assembly</td></tr> <tr><td>RU part name</td><td>поддержка ассамблеи такси</td></tr> <tr><td>Size:mm</td><td></td></tr> <tr><td>Weight:kg</td><td>9.5</td></tr> <tr><td>NO.</td><td>NO.115-2</td></tr> </table>	Part No.	DZ1640440160	CH part name	右后悬置支架总成	EN part name	Cab support assembly	RU part name	поддержка ассамблеи такси	Size:mm		Weight:kg	9.5	NO.	NO.115-2														
Part No.	DZ1640440160																														
CH part name	右后悬置支架总成																														
EN part name	Cab support assembly																														
RU part name	поддержка ассамблеи такси																														
Size:mm																															
Weight:kg	9.5																														
NO.	NO.115-2																														
Remarks: SHACMAN F2000 F3000		DZ1640440215																													
	<table border="1"> <tr><td>Part No.</td><td>DZ1640440020</td></tr> <tr><td>CH part name</td><td>左后悬置支架总成</td></tr> <tr><td>EN part name</td><td>Left rear hanging bracket assy.</td></tr> <tr><td>RU part name</td><td>Кронштейн левый задний сборки</td></tr> <tr><td>Size:mm</td><td>780*250*150</td></tr> <tr><td>Weight:kg</td><td>9.8</td></tr> <tr><td>NO.</td><td>NO.115-1</td></tr> </table>	Part No.	DZ1640440020	CH part name	左后悬置支架总成	EN part name	Left rear hanging bracket assy.	RU part name	Кронштейн левый задний сборки	Size:mm	780*250*150	Weight:kg	9.8	NO.	NO.115-1		<table border="1"> <tr><td>Part No.</td><td>DZ1640440010</td></tr> <tr><td>CH part name</td><td>右后悬置支架总成</td></tr> <tr><td>EN part name</td><td>Right rear hanging bracket assy.</td></tr> <tr><td>RU part name</td><td>Кронштейн правый задний сборки</td></tr> <tr><td>Size:mm</td><td>780*250*150</td></tr> <tr><td>Weight:kg</td><td>9.8</td></tr> <tr><td>NO.</td><td>NO.115-2</td></tr> </table>	Part No.	DZ1640440010	CH part name	右后悬置支架总成	EN part name	Right rear hanging bracket assy.	RU part name	Кронштейн правый задний сборки	Size:mm	780*250*150	Weight:kg	9.8	NO.	NO.115-2
Part No.	DZ1640440020																														
CH part name	左后悬置支架总成																														
EN part name	Left rear hanging bracket assy.																														
RU part name	Кронштейн левый задний сборки																														
Size:mm	780*250*150																														
Weight:kg	9.8																														
NO.	NO.115-1																														
Part No.	DZ1640440010																														
CH part name	右后悬置支架总成																														
EN part name	Right rear hanging bracket assy.																														
RU part name	Кронштейн правый задний сборки																														
Size:mm	780*250*150																														
Weight:kg	9.8																														
NO.	NO.115-2																														
Remarks: SHACMAN F2000 F3000 780车架用		Remarks: SHACMAN F2000 F3000 780车架用																													



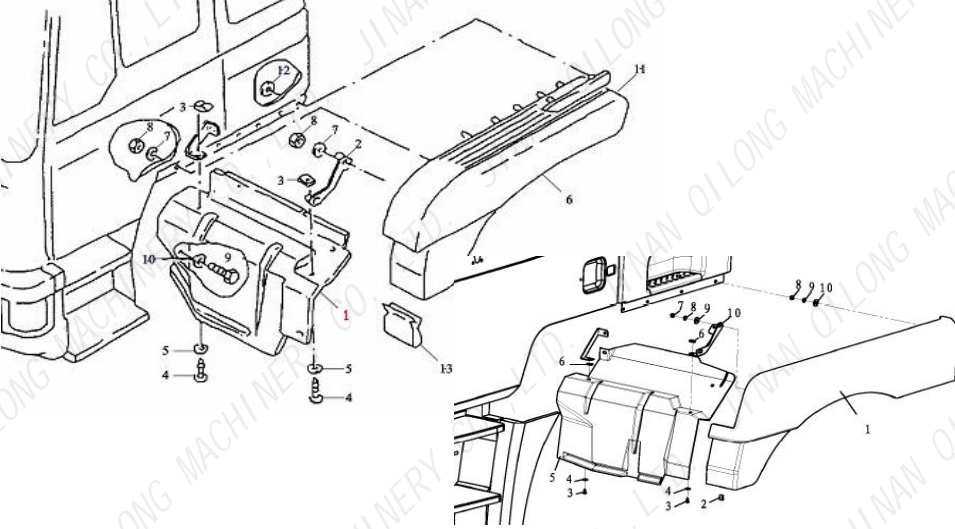





SHACMAN(1)

	<p>Part No. DZ1640440220</p> <p>CH part name 左后悬置支架</p> <p>EN part name Left rear hanging bracket assy.</p> <p>RU part name Кронштейн левый задний сборки</p> <p>Size:mm 780*250*150</p> <p>Weight:kg 9.8</p> <p>NO. NO.115-1</p>		<p>Part No. DZ1640440225</p> <p>CH part name 右后悬置支架</p> <p>EN part name Right rear hanging bracket assy.</p> <p>RU part name Кронштейн правый задний сборки</p> <p>Size:mm 780*250*150</p> <p>Weight:kg 9.8</p> <p>NO. NO.115-2</p>
Remarks: SHACMAN F2000 F3000 850车架用		Remarks: SHACMAN F2000 F3000 850车架用	
	<p>Part No. SZ144000756</p> <p>CH part name 驾驶室锁止</p> <p>EN part name Cabin lock</p> <p>RU part name Замок кабины в сборе</p> <p>Size:mm 260*140*90</p> <p>Weight:kg 2.15</p> <p>NO. NO.115-8</p>		<p>Part No. 81.61851.6023</p> <p>CH part name 驾驶室锁止装置</p> <p>EN part name Cabin lock</p> <p>RU part name Замок кабины в сборе</p> <p>Size:mm 260*140*90</p> <p>Weight:kg 2.15</p> <p>NO. NO.115-8</p>
Remarks: SHACMAN F2000 F3000		Remarks: SHACMAN F2000 F3000	
	<p>Part No. 81.61851.0008</p> <p>CH part name 凹板</p> <p>EN part name Concave panel</p> <p>RU part name Боковины роликов замка кабины</p> <p>Size:mm 130*65*30</p> <p>Weight:kg 0.2</p> <p>NO. NO.115-15</p>		<p>Part No. 81.96210.0462</p> <p>CH part name 驾驶室橡胶套筒</p> <p>EN part name Rubber bush</p> <p>RU part name Втулка нижняя замка кабины</p> <p>Size:mm 60*30*30</p> <p>Weight:kg 0.15</p> <p>NO. NO.115-14</p>
Remarks: SHACMAN F2000 F3000		Remarks: SHACMAN F2000 F3000	
	<p>Part No. 81.96210.0364</p> <p>CH part name 驾驶室锁套筒</p> <p>EN part name Rubber bush</p> <p>RU part name Втулка нижняя замка кабины</p> <p>Size:mm 100*30*30</p> <p>Weight:kg 0.25</p> <p>NO. NO.115-18</p>		<p>Part No. DZ1640440100</p> <p>CH part name 固定横梁总成</p> <p>EN part name Crossbeam</p> <p>RU part name Балка</p> <p>Size:mm 1105*480*265</p> <p>Weight:kg 12.48</p> <p>NO. NO.115-21</p>
Remarks: SHACMAN F2000 F3000		Remarks: SHACMAN F2000 F3000	



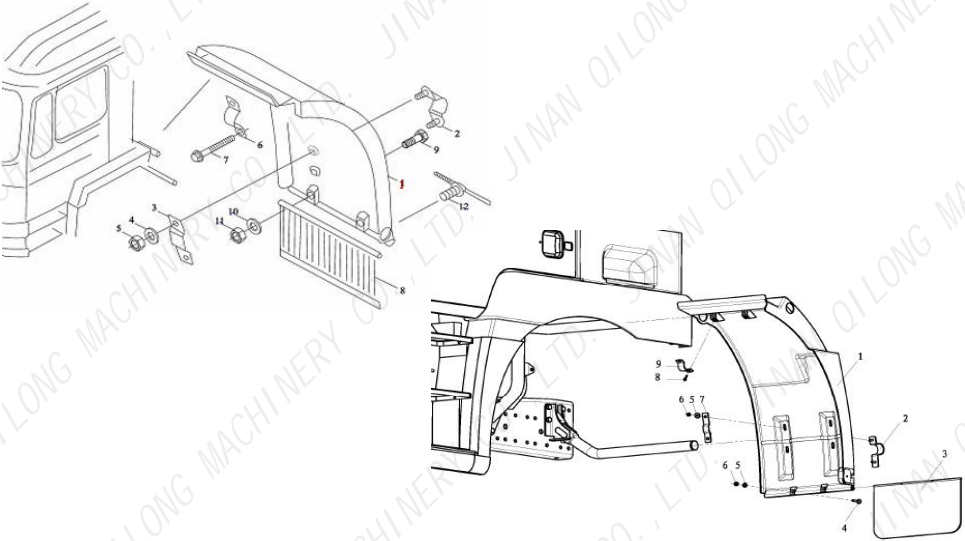




SHACMAN(1)

	<table border="1"> <tr><td>Part No.</td><td>DZ13241440070</td></tr> <tr><td>CH part name</td><td>高度阀</td></tr> <tr><td>EN part name</td><td>Height valve</td></tr> <tr><td>RU part name</td><td>Высота клапан</td></tr> <tr><td>Size:mm</td><td></td></tr> <tr><td>Weight:kg</td><td>0.35</td></tr> <tr><td>NO.</td><td>NO.116-1</td></tr> </table>	Part No.	DZ13241440070	CH part name	高度阀	EN part name	Height valve	RU part name	Высота клапан	Size:mm		Weight:kg	0.35	NO.	NO.116-1		<table border="1"> <tr><td>Part No.</td><td>DZ13241440072</td></tr> <tr><td>CH part name</td><td>固定横梁</td></tr> <tr><td>EN part name</td><td>Crossbeam</td></tr> <tr><td>RU part name</td><td>Балка</td></tr> <tr><td>Size:mm</td><td>1105*480*265</td></tr> <tr><td>Weight:kg</td><td>13</td></tr> <tr><td>NO.</td><td>NO.115-21</td></tr> </table>	Part No.	DZ13241440072	CH part name	固定横梁	EN part name	Crossbeam	RU part name	Балка	Size:mm	1105*480*265	Weight:kg	13	NO.	NO.115-21
Part No.	DZ13241440070																														
CH part name	高度阀																														
EN part name	Height valve																														
RU part name	Высота клапан																														
Size:mm																															
Weight:kg	0.35																														
NO.	NO.116-1																														
Part No.	DZ13241440072																														
CH part name	固定横梁																														
EN part name	Crossbeam																														
RU part name	Балка																														
Size:mm	1105*480*265																														
Weight:kg	13																														
NO.	NO.115-21																														
Remarks: SHACMAN F2000 F3000		Remarks: SHACMAN F2000 F3000 DZ1640440085 DZ1640440095																													
CAB HYDRAULICTILTINGEQUIPMENT NO.116																															
			<table border="1"> <tr><td>Part No.</td><td>DZ164382001113</td></tr> <tr><td>CH part name</td><td>驾驶室举升管 (套)</td></tr> <tr><td>EN part name</td><td>Oil feeding pipe</td></tr> <tr><td>RU part name</td><td>нефть feeding трубы</td></tr> <tr><td>Size:mm</td><td></td></tr> <tr><td>Weight:kg</td><td>0.75</td></tr> <tr><td>NO.</td><td>NO.116-2-3-4-5-9</td></tr> </table>	Part No.	DZ164382001113	CH part name	驾驶室举升管 (套)	EN part name	Oil feeding pipe	RU part name	нефть feeding трубы	Size:mm		Weight:kg	0.75	NO.	NO.116-2-3-4-5-9														
Part No.	DZ164382001113																														
CH part name	驾驶室举升管 (套)																														
EN part name	Oil feeding pipe																														
RU part name	нефть feeding трубы																														
Size:mm																															
Weight:kg	0.75																														
NO.	NO.116-2-3-4-5-9																														
Remarks: SHACMAN F2000 F3000		Remarks: SHACMAN F2000 F3000 199112820005																													
	<table border="1"> <tr><td>Part No.</td><td>DZ1640820028</td></tr> <tr><td>CH part name</td><td>电动举升泵</td></tr> <tr><td>EN part name</td><td>Hydraulic lifting pump</td></tr> <tr><td>RU part name</td><td>Насос подъема кабины</td></tr> <tr><td>Size:mm</td><td>240*240*100</td></tr> <tr><td>Weight:kg</td><td>7.55</td></tr> <tr><td>NO.</td><td>NO.116-1</td></tr> </table>	Part No.	DZ1640820028	CH part name	电动举升泵	EN part name	Hydraulic lifting pump	RU part name	Насос подъема кабины	Size:mm	240*240*100	Weight:kg	7.55	NO.	NO.116-1		<table border="1"> <tr><td>Part No.</td><td>199100470107</td></tr> <tr><td>CH part name</td><td>举升油缸油管</td></tr> <tr><td>EN part name</td><td>High pressure hose</td></tr> <tr><td>RU part name</td><td>шланг высокого давления</td></tr> <tr><td>Size:mm</td><td></td></tr> <tr><td>Weight:kg</td><td>0.35</td></tr> <tr><td>NO.</td><td>NO.116-24</td></tr> </table>	Part No.	199100470107	CH part name	举升油缸油管	EN part name	High pressure hose	RU part name	шланг высокого давления	Size:mm		Weight:kg	0.35	NO.	NO.116-24
Part No.	DZ1640820028																														
CH part name	电动举升泵																														
EN part name	Hydraulic lifting pump																														
RU part name	Насос подъема кабины																														
Size:mm	240*240*100																														
Weight:kg	7.55																														
NO.	NO.116-1																														
Part No.	199100470107																														
CH part name	举升油缸油管																														
EN part name	High pressure hose																														
RU part name	шланг высокого давления																														
Size:mm																															
Weight:kg	0.35																														
NO.	NO.116-24																														
Remarks: SHACMAN F2000 F3000		Remarks: SHACMAN F2000 F3000 199112820005																													
	<table border="1"> <tr><td>Part No.</td><td>DZ1640820028</td></tr> <tr><td>CH part name</td><td>电动举升泵</td></tr> <tr><td>EN part name</td><td>Hydraulic lifting pump</td></tr> <tr><td>RU part name</td><td>Насос подъема кабины</td></tr> <tr><td>Size:mm</td><td>240*240*100</td></tr> <tr><td>Weight:kg</td><td>7.55</td></tr> <tr><td>NO.</td><td>NO.116-1</td></tr> </table>	Part No.	DZ1640820028	CH part name	电动举升泵	EN part name	Hydraulic lifting pump	RU part name	Насос подъема кабины	Size:mm	240*240*100	Weight:kg	7.55	NO.	NO.116-1		<table border="1"> <tr><td>Part No.</td><td>DZ93259820100</td></tr> <tr><td>CH part name</td><td>改进型液压手动油泵</td></tr> <tr><td>EN part name</td><td>Hydraulic lifting pump</td></tr> <tr><td>RU part name</td><td>Насос подъема кабины</td></tr> <tr><td>Size:mm</td><td>240*180*100</td></tr> <tr><td>Weight:kg</td><td>2.4</td></tr> <tr><td>NO.</td><td>NO.116-1</td></tr> </table>	Part No.	DZ93259820100	CH part name	改进型液压手动油泵	EN part name	Hydraulic lifting pump	RU part name	Насос подъема кабины	Size:mm	240*180*100	Weight:kg	2.4	NO.	NO.116-1
Part No.	DZ1640820028																														
CH part name	电动举升泵																														
EN part name	Hydraulic lifting pump																														
RU part name	Насос подъема кабины																														
Size:mm	240*240*100																														
Weight:kg	7.55																														
NO.	NO.116-1																														
Part No.	DZ93259820100																														
CH part name	改进型液压手动油泵																														
EN part name	Hydraulic lifting pump																														
RU part name	Насос подъема кабины																														
Size:mm	240*180*100																														
Weight:kg	2.4																														
NO.	NO.116-1																														
Remarks: SHACMAN F2000 F3000		Remarks: SHACMAN F2000 F3000 199100820025 DZ9100820027																													



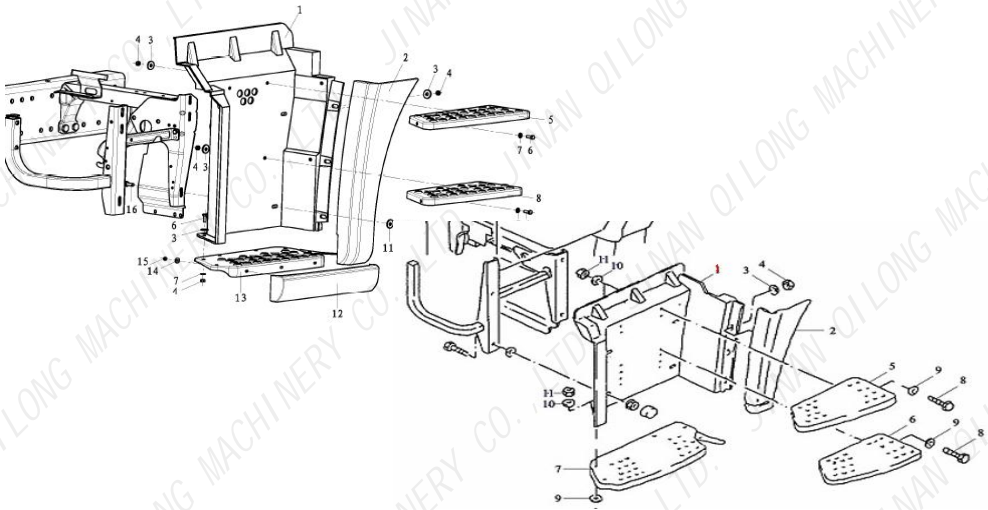



SHACMAN(1)

	<table border="1"> <tr><td>Part No.</td><td>81.61230.0067</td></tr> <tr><td>CH part name</td><td>左前挡泥板内衬</td></tr> <tr><td>EN part name</td><td>Left front fender liner</td></tr> <tr><td>RU part name</td><td>Брызговик передий пластмассовый левый</td></tr> <tr><td>Size:mm</td><td>750*550*150</td></tr> <tr><td>Weight:kg</td><td>2.8</td></tr> <tr><td>NO.</td><td>NO.117-1-5</td></tr> </table>	Part No.	81.61230.0067	CH part name	左前挡泥板内衬	EN part name	Left front fender liner	RU part name	Брызговик передий пластмассовый левый	Size:mm	750*550*150	Weight:kg	2.8	NO.	NO.117-1-5		<table border="1"> <tr><td>Part No.</td><td>DZ1640230024</td></tr> <tr><td>CH part name</td><td>右前挡泥板内衬</td></tr> <tr><td>EN part name</td><td>Right front fender liner</td></tr> <tr><td>RU part name</td><td>Брызговик передий пластмассовый правы</td></tr> <tr><td>Size:mm</td><td>750*550*150</td></tr> <tr><td>Weight:kg</td><td>2.8</td></tr> <tr><td>NO.</td><td>NO.117-1-5</td></tr> </table>	Part No.	DZ1640230024	CH part name	右前挡泥板内衬	EN part name	Right front fender liner	RU part name	Брызговик передий пластмассовый правы	Size:mm	750*550*150	Weight:kg	2.8	NO.	NO.117-1-5
Part No.	81.61230.0067																														
CH part name	左前挡泥板内衬																														
EN part name	Left front fender liner																														
RU part name	Брызговик передий пластмассовый левый																														
Size:mm	750*550*150																														
Weight:kg	2.8																														
NO.	NO.117-1-5																														
Part No.	DZ1640230024																														
CH part name	右前挡泥板内衬																														
EN part name	Right front fender liner																														
RU part name	Брызговик передий пластмассовый правы																														
Size:mm	750*550*150																														
Weight:kg	2.8																														
NO.	NO.117-1-5																														
Remarks: SHACMAN F2000 F3000		Remarks: SHACMAN F2000 F3000																													
LEFT FENDER/RIGHT FENDER F2000 F3000 NO.117																															
			<table border="1"> <tr><td>Part No.</td><td>81.61210.5363</td></tr> <tr><td>CH part name</td><td>左前翼子板</td></tr> <tr><td>EN part name</td><td>Front left wheel fender</td></tr> <tr><td>RU part name</td><td>Крыло левое переднее</td></tr> <tr><td>Size:mm</td><td>880*280*80</td></tr> <tr><td>Weight:kg</td><td>3.5</td></tr> <tr><td>NO.</td><td>NO.117-6</td></tr> </table>	Part No.	81.61210.5363	CH part name	左前翼子板	EN part name	Front left wheel fender	RU part name	Крыло левое переднее	Size:mm	880*280*80	Weight:kg	3.5	NO.	NO.117-6														
Part No.	81.61210.5363																														
CH part name	左前翼子板																														
EN part name	Front left wheel fender																														
RU part name	Крыло левое переднее																														
Size:mm	880*280*80																														
Weight:kg	3.5																														
NO.	NO.117-6																														
Remarks: SHACMAN F2000		Remarks: SHACMAN F2000																													
			<table border="1"> <tr><td>Part No.</td><td>81.61210.5364</td></tr> <tr><td>CH part name</td><td>右前翼子板</td></tr> <tr><td>EN part name</td><td>Front left wheel fender</td></tr> <tr><td>RU part name</td><td>Крыло левое переднее</td></tr> <tr><td>Size:mm</td><td>880*280*80</td></tr> <tr><td>Weight:kg</td><td>3.5</td></tr> <tr><td>NO.</td><td>NO.117-6</td></tr> </table>	Part No.	81.61210.5364	CH part name	右前翼子板	EN part name	Front left wheel fender	RU part name	Крыло левое переднее	Size:mm	880*280*80	Weight:kg	3.5	NO.	NO.117-6														
Part No.	81.61210.5364																														
CH part name	右前翼子板																														
EN part name	Front left wheel fender																														
RU part name	Крыло левое переднее																														
Size:mm	880*280*80																														
Weight:kg	3.5																														
NO.	NO.117-6																														
Remarks: SHACMAN F3000 DZ13241230415		Remarks: SHACMAN F3000 DZ13241230416																													
	<table border="1"> <tr><td>Part No.</td><td>DZ13241230411</td></tr> <tr><td>CH part name</td><td>左前翼子板</td></tr> <tr><td>EN part name</td><td>Front left wheel fender</td></tr> <tr><td>RU part name</td><td>Крыло левое переднее</td></tr> <tr><td>Size:mm</td><td>980*280*80</td></tr> <tr><td>Weight:kg</td><td>4.6</td></tr> <tr><td>NO.</td><td>NO.117-1</td></tr> </table>	Part No.	DZ13241230411	CH part name	左前翼子板	EN part name	Front left wheel fender	RU part name	Крыло левое переднее	Size:mm	980*280*80	Weight:kg	4.6	NO.	NO.117-1		<table border="1"> <tr><td>Part No.</td><td>DZ13241230412</td></tr> <tr><td>CH part name</td><td>右前翼子板</td></tr> <tr><td>EN part name</td><td>Front left wheel fender</td></tr> <tr><td>RU part name</td><td>Крыло левое переднее</td></tr> <tr><td>Size:mm</td><td>980*280*80</td></tr> <tr><td>Weight:kg</td><td>4.6</td></tr> <tr><td>NO.</td><td>NO.117-1</td></tr> </table>	Part No.	DZ13241230412	CH part name	右前翼子板	EN part name	Front left wheel fender	RU part name	Крыло левое переднее	Size:mm	980*280*80	Weight:kg	4.6	NO.	NO.117-1
Part No.	DZ13241230411																														
CH part name	左前翼子板																														
EN part name	Front left wheel fender																														
RU part name	Крыло левое переднее																														
Size:mm	980*280*80																														
Weight:kg	4.6																														
NO.	NO.117-1																														
Part No.	DZ13241230412																														
CH part name	右前翼子板																														
EN part name	Front left wheel fender																														
RU part name	Крыло левое переднее																														
Size:mm	980*280*80																														
Weight:kg	4.6																														
NO.	NO.117-1																														

SHACMAN(1)

	<table border="1"> <tr><td>Part No.</td><td>81.66410.0352</td></tr> <tr><td>CH part name</td><td>右后翼子板</td></tr> <tr><td>EN part name</td><td>Rear left wheel fender</td></tr> <tr><td>RU part name</td><td>Брызговик левый задний</td></tr> <tr><td>Size:mm</td><td>850*680*150</td></tr> <tr><td>Weight:kg</td><td>3</td></tr> <tr><td>NO.</td><td>NO.118-1</td></tr> </table>	Part No.	81.66410.0352	CH part name	右后翼子板	EN part name	Rear left wheel fender	RU part name	Брызговик левый задний	Size:mm	850*680*150	Weight:kg	3	NO.	NO.118-1		<table border="1"> <tr><td>Part No.</td><td>81.66410.0353</td></tr> <tr><td>CH part name</td><td>左后翼子板</td></tr> <tr><td>EN part name</td><td>Rear left wheel fender</td></tr> <tr><td>RU part name</td><td>Брызговик левый задний</td></tr> <tr><td>Size:mm</td><td>850*680*150</td></tr> <tr><td>Weight:kg</td><td>3</td></tr> <tr><td>NO.</td><td>NO.118-1</td></tr> </table>	Part No.	81.66410.0353	CH part name	左后翼子板	EN part name	Rear left wheel fender	RU part name	Брызговик левый задний	Size:mm	850*680*150	Weight:kg	3	NO.	NO.118-1
Part No.	81.66410.0352																														
CH part name	右后翼子板																														
EN part name	Rear left wheel fender																														
RU part name	Брызговик левый задний																														
Size:mm	850*680*150																														
Weight:kg	3																														
NO.	NO.118-1																														
Part No.	81.66410.0353																														
CH part name	左后翼子板																														
EN part name	Rear left wheel fender																														
RU part name	Брызговик левый задний																														
Size:mm	850*680*150																														
Weight:kg	3																														
NO.	NO.118-1																														
Remarks: SHACMAN F2000 DZ1640230207		Remarks: SHACMAN F2000 DZ1640230208																													
FENDER LEFT BEHIND CAB/F2000 F3000 NO.118																															
			<table border="1"> <tr><td>Part No.</td><td>DZ13241230413</td></tr> <tr><td>CH part name</td><td>左后翼子板</td></tr> <tr><td>EN part name</td><td>Rear left wheel fender</td></tr> <tr><td>RU part name</td><td>Брызговик левый задний</td></tr> <tr><td>Size:mm</td><td>850*680*150</td></tr> <tr><td>Weight:kg</td><td>4.3</td></tr> <tr><td>NO.</td><td>NO.118-1</td></tr> </table>	Part No.	DZ13241230413	CH part name	左后翼子板	EN part name	Rear left wheel fender	RU part name	Брызговик левый задний	Size:mm	850*680*150	Weight:kg	4.3	NO.	NO.118-1														
Part No.	DZ13241230413																														
CH part name	左后翼子板																														
EN part name	Rear left wheel fender																														
RU part name	Брызговик левый задний																														
Size:mm	850*680*150																														
Weight:kg	4.3																														
NO.	NO.118-1																														
Remarks: SHACMAN F2000 F3000		Remarks: SHACMAN F3000																													
			<table border="1"> <tr><td>Part No.</td><td>DZ13241230414</td></tr> <tr><td>CH part name</td><td>右后翼子板</td></tr> <tr><td>EN part name</td><td>Rear left wheel fender</td></tr> <tr><td>RU part name</td><td>Брызговик левый задний</td></tr> <tr><td>Size:mm</td><td>850*680*150</td></tr> <tr><td>Weight:kg</td><td>4.3</td></tr> <tr><td>NO.</td><td>NO.118-1</td></tr> </table>	Part No.	DZ13241230414	CH part name	右后翼子板	EN part name	Rear left wheel fender	RU part name	Брызговик левый задний	Size:mm	850*680*150	Weight:kg	4.3	NO.	NO.118-1														
Part No.	DZ13241230414																														
CH part name	右后翼子板																														
EN part name	Rear left wheel fender																														
RU part name	Брызговик левый задний																														
Size:mm	850*680*150																														
Weight:kg	4.3																														
NO.	NO.118-1																														
Remarks: SHACMAN F2000 F3000		Remarks: SHACMAN F3000																													
	<table border="1"> <tr><td>Part No.</td><td>DZ1640230071</td></tr> <tr><td>CH part name</td><td>挡泥板</td></tr> <tr><td>EN part name</td><td>Mud flap</td></tr> <tr><td>RU part name</td><td>брызговик</td></tr> <tr><td>Size:mm</td><td>45*26*0.5</td></tr> <tr><td>Weight:kg</td><td>0.56</td></tr> <tr><td>NO.</td><td>NO.118-3</td></tr> </table>	Part No.	DZ1640230071	CH part name	挡泥板	EN part name	Mud flap	RU part name	брызговик	Size:mm	45*26*0.5	Weight:kg	0.56	NO.	NO.118-3		<table border="1"> <tr><td>Part No.</td><td>DZ13241240425</td></tr> <tr><td>CH part name</td><td>左门台阶</td></tr> <tr><td>EN part name</td><td>Left door step</td></tr> <tr><td>RU part name</td><td>Ступень двери левой</td></tr> <tr><td>Size:mm</td><td>720*530*220</td></tr> <tr><td>Weight:kg</td><td>5.9</td></tr> <tr><td>NO.</td><td>NO.119-1</td></tr> </table>	Part No.	DZ13241240425	CH part name	左门台阶	EN part name	Left door step	RU part name	Ступень двери левой	Size:mm	720*530*220	Weight:kg	5.9	NO.	NO.119-1
Part No.	DZ1640230071																														
CH part name	挡泥板																														
EN part name	Mud flap																														
RU part name	брызговик																														
Size:mm	45*26*0.5																														
Weight:kg	0.56																														
NO.	NO.118-3																														
Part No.	DZ13241240425																														
CH part name	左门台阶																														
EN part name	Left door step																														
RU part name	Ступень двери левой																														
Size:mm	720*530*220																														
Weight:kg	5.9																														
NO.	NO.119-1																														
Remarks: SHACMAN F2000 F3000		Remarks: SHACMAN F3000 DZ1640240297																													

SHACMAN(1)

	<table border="1"> <tr><td>Part No.</td><td>DZ13241240426</td></tr> <tr><td>CH part name</td><td>右门台阶</td></tr> <tr><td>EN part name</td><td>Right door step</td></tr> <tr><td>RU part name</td><td>Ступень двери правой</td></tr> <tr><td>Size:mm</td><td>720*530*220</td></tr> <tr><td>Weight:kg</td><td>5.9</td></tr> <tr><td>NO.</td><td>NO.119-1</td></tr> </table>	Part No.	DZ13241240426	CH part name	右门台阶	EN part name	Right door step	RU part name	Ступень двери правой	Size:mm	720*530*220	Weight:kg	5.9	NO.	NO.119-1		<table border="1"> <tr><td>Part No.</td><td>81.61510.0225</td></tr> <tr><td>CH part name</td><td>左门台阶 (高位)</td></tr> <tr><td>EN part name</td><td>Left door step</td></tr> <tr><td>RU part name</td><td>Ступень двери левой</td></tr> <tr><td>Size:mm</td><td>720*530*220</td></tr> <tr><td>Weight:kg</td><td>5.9</td></tr> <tr><td>NO.</td><td>NO.119-1</td></tr> </table>	Part No.	81.61510.0225	CH part name	左门台阶 (高位)	EN part name	Left door step	RU part name	Ступень двери левой	Size:mm	720*530*220	Weight:kg	5.9	NO.	NO.119-1
Part No.	DZ13241240426																														
CH part name	右门台阶																														
EN part name	Right door step																														
RU part name	Ступень двери правой																														
Size:mm	720*530*220																														
Weight:kg	5.9																														
NO.	NO.119-1																														
Part No.	81.61510.0225																														
CH part name	左门台阶 (高位)																														
EN part name	Left door step																														
RU part name	Ступень двери левой																														
Size:mm	720*530*220																														
Weight:kg	5.9																														
NO.	NO.119-1																														
Remarks: SHACMAN F3000 DZ1640240298		Remarks: SHACMAN F2000 81.61510.0229 (低位) DZ1642240112 (自卸车)																													
LEFT DOOR STEP/ RIGHT DOOR STEP F2000 F3000 NO.119																															
			<table border="1"> <tr><td>Part No.</td><td>81.61510.0226</td></tr> <tr><td>CH part name</td><td>右门台阶 (高位)</td></tr> <tr><td>EN part name</td><td>Right door step</td></tr> <tr><td>RU part name</td><td>Ступень двери правой</td></tr> <tr><td>Size:mm</td><td>720*530*220</td></tr> <tr><td>Weight:kg</td><td>5.9</td></tr> <tr><td>NO.</td><td>NO.119-1</td></tr> </table>	Part No.	81.61510.0226	CH part name	右门台阶 (高位)	EN part name	Right door step	RU part name	Ступень двери правой	Size:mm	720*530*220	Weight:kg	5.9	NO.	NO.119-1														
Part No.	81.61510.0226																														
CH part name	右门台阶 (高位)																														
EN part name	Right door step																														
RU part name	Ступень двери правой																														
Size:mm	720*530*220																														
Weight:kg	5.9																														
NO.	NO.119-1																														
		Remarks: SHACMAN F2000 81.61510.0230 (低位) DZ1642240113 (自卸车)																													
	<table border="1"> <tr><td>Part No.</td><td>DZ13241240423</td></tr> <tr><td>CH part name</td><td>左上装饰板</td></tr> <tr><td>EN part name</td><td>Left trim assy.</td></tr> <tr><td>RU part name</td><td>Крыло подножки левое длинное</td></tr> <tr><td>Size:mm</td><td>650*180*50</td></tr> <tr><td>Weight:kg</td><td>2.6</td></tr> <tr><td>NO.</td><td>NO.119-2</td></tr> </table>	Part No.	DZ13241240423	CH part name	左上装饰板	EN part name	Left trim assy.	RU part name	Крыло подножки левое длинное	Size:mm	650*180*50	Weight:kg	2.6	NO.	NO.119-2		<table border="1"> <tr><td>Part No.</td><td>81.61510.5161</td></tr> <tr><td>CH part name</td><td>左装饰件总成 (高位)</td></tr> <tr><td>EN part name</td><td>Left trim assy.</td></tr> <tr><td>RU part name</td><td>Крыло подножки левое длинное</td></tr> <tr><td>Size:mm</td><td>650*180*50</td></tr> <tr><td>Weight:kg</td><td>2.6</td></tr> <tr><td>NO.</td><td>NO.119-2</td></tr> </table>	Part No.	81.61510.5161	CH part name	左装饰件总成 (高位)	EN part name	Left trim assy.	RU part name	Крыло подножки левое длинное	Size:mm	650*180*50	Weight:kg	2.6	NO.	NO.119-2
Part No.	DZ13241240423																														
CH part name	左上装饰板																														
EN part name	Left trim assy.																														
RU part name	Крыло подножки левое длинное																														
Size:mm	650*180*50																														
Weight:kg	2.6																														
NO.	NO.119-2																														
Part No.	81.61510.5161																														
CH part name	左装饰件总成 (高位)																														
EN part name	Left trim assy.																														
RU part name	Крыло подножки левое длинное																														
Size:mm	650*180*50																														
Weight:kg	2.6																														
NO.	NO.119-2																														
Remarks: SHACMAN F3000		Remarks: SHACMAN F2000 81.61510.5163 (低位)																													
			<table border="1"> <tr><td>Part No.</td><td>81.61510.5162</td></tr> <tr><td>CH part name</td><td>右装饰件总成</td></tr> <tr><td>EN part name</td><td>Right trim assy.</td></tr> <tr><td>RU part name</td><td>Крыло подножки левое длинное</td></tr> <tr><td>Size:mm</td><td>650*180*50</td></tr> <tr><td>Weight:kg</td><td>2.6</td></tr> <tr><td>NO.</td><td>NO.119-2</td></tr> </table>	Part No.	81.61510.5162	CH part name	右装饰件总成	EN part name	Right trim assy.	RU part name	Крыло подножки левое длинное	Size:mm	650*180*50	Weight:kg	2.6	NO.	NO.119-2														
Part No.	81.61510.5162																														
CH part name	右装饰件总成																														
EN part name	Right trim assy.																														
RU part name	Крыло подножки левое длинное																														
Size:mm	650*180*50																														
Weight:kg	2.6																														
NO.	NO.119-2																														
Remarks: SHACMAN F2000 81.61510.5164 (低位)																															



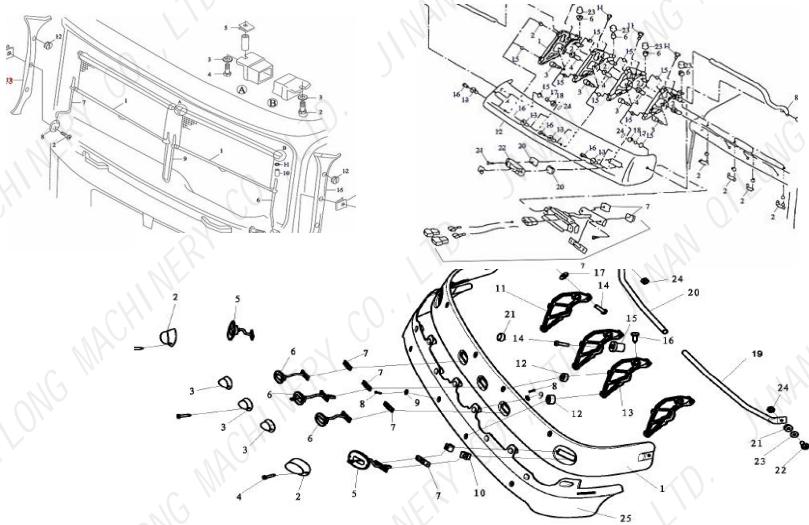




SHACMAN(1)

KD1938				KD1939			
	Part No.	DZ13241240424			Part No.	81.61510.0267	
	CH part name	右上装饰板			CH part name	左上台阶	
	EN part name	Right trim assy.			EN part name	Left upper step	
	RU part name	Крыло подножки левое длинное			RU part name	Ступень верхняя левая	
	Size:mm	650*180*50			Size:mm	440*180*30	
	Weight:kg	2.6			Weight:kg	1	
	NO.	NO.119-2			NO.	NO.119-5	
Remarks: SHACMAN F3000				Remarks: SHACMAN F2000			
KD1940				KD1941			
	Part No.	DZ13241240671			Part No.	81.61510.0268	
	CH part name	左上台阶			CH part name	右上台阶	
	EN part name	Left upper step			EN part name	Right upper step	
	RU part name	Ступень верхняя левая			RU part name	Ступень верхняя правая	
	Size:mm	440*180*30			Size:mm	440*180*30	
	Weight:kg	1			Weight:kg	1	
	NO.	NO.119-5			NO.	NO.119-5	
Remarks: SHACMAN F3000				Remarks: SHACMAN F2000			
KD1942				KD1943			
	Part No.	DZ13241240672			Part No.	DZ13241240313	
	CH part name	右上台阶			CH part name	左中间台阶	
	EN part name	Right upper step			EN part name	Left middle step	
	RU part name	Ступень верхняя правая			RU part name	Ступень средняя левая	
	Size:mm	440*180*30			Size:mm	440*200*30	
	Weight:kg	1			Weight:kg	1	
	NO.	NO.119-5			NO.	NO.119-6	
Remarks: SHACMAN F3000 DZ13241240901				Remarks: SHACMAN F2000 81.61510.0263			
KD1944				KD1945			
	Part No.	DZ13241240902			Part No.	DZ13241240314	
	CH part name	右中台阶			CH part name	右中间台阶	
	EN part name	Right middle step			EN part name	Right middle step	
	RU part name	Ступень средняя правая			RU part name	Ступень средняя правая	
	Size:mm	440*200*30			Size:mm	440*200*30	
	Weight:kg	1			Weight:kg	1	
	NO.	NO.119-8			NO.	NO.119-6	
Remarks: SHACMAN F3000 DZ13241240674				Remarks: SHACMAN F2000 81.61510.0262			



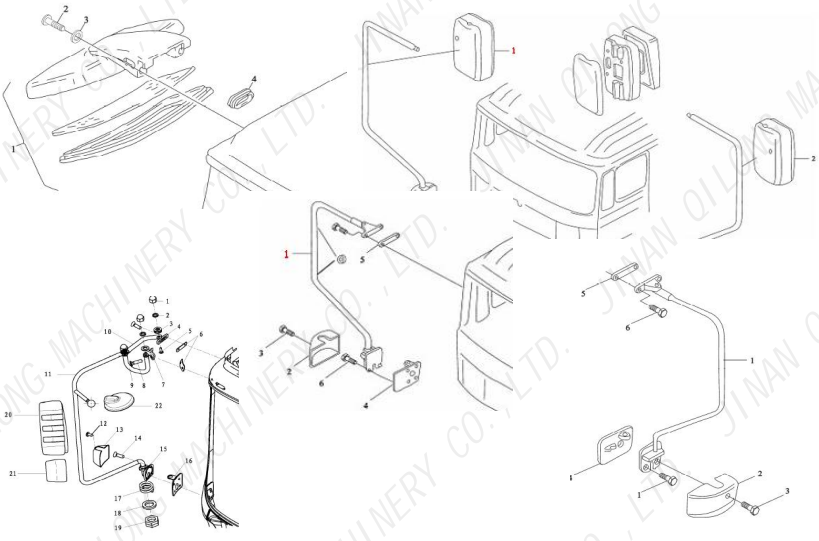




SHACMAN(1)

	<table border="1"> <tr><td>Part No.</td><td>DZ13241240673</td></tr> <tr><td>CH part name</td><td>左中台阶</td></tr> <tr><td>EN part name</td><td>Left middle step</td></tr> <tr><td>RU part name</td><td>Ступень средняя левая</td></tr> <tr><td>Size:mm</td><td>440*200*30</td></tr> <tr><td>Weight:kg</td><td>1</td></tr> <tr><td>NO.</td><td>NO.119-8</td></tr> </table>	Part No.	DZ13241240673	CH part name	左中台阶	EN part name	Left middle step	RU part name	Ступень средняя левая	Size:mm	440*200*30	Weight:kg	1	NO.	NO.119-8		<table border="1"> <tr><td>Part No.</td><td>81.61510.5196</td></tr> <tr><td>CH part name</td><td>右下台阶 (高位)</td></tr> <tr><td>EN part name</td><td>Right lower step</td></tr> <tr><td>RU part name</td><td>Ступень нижняя правая</td></tr> <tr><td>Size:mm</td><td>550*250*40</td></tr> <tr><td>Weight:kg</td><td>1.2</td></tr> <tr><td>NO.</td><td>NO.119-7</td></tr> </table>	Part No.	81.61510.5196	CH part name	右下台阶 (高位)	EN part name	Right lower step	RU part name	Ступень нижняя правая	Size:mm	550*250*40	Weight:kg	1.2	NO.	NO.119-7
Part No.	DZ13241240673																														
CH part name	左中台阶																														
EN part name	Left middle step																														
RU part name	Ступень средняя левая																														
Size:mm	440*200*30																														
Weight:kg	1																														
NO.	NO.119-8																														
Part No.	81.61510.5196																														
CH part name	右下台阶 (高位)																														
EN part name	Right lower step																														
RU part name	Ступень нижняя правая																														
Size:mm	550*250*40																														
Weight:kg	1.2																														
NO.	NO.119-7																														
Remarks: SHACMAN F3000		Remarks: SHACMAN F2000 81.61510.5181 (低位) DZ1640240017 (自卸车)																													
	<table border="1"> <tr><td>Part No.</td><td>DZ13241240920</td></tr> <tr><td>CH part name</td><td>左下台阶</td></tr> <tr><td>EN part name</td><td>Left lower step</td></tr> <tr><td>RU part name</td><td>Ступень нижняя левая</td></tr> <tr><td>Size:mm</td><td>550*250*40</td></tr> <tr><td>Weight:kg</td><td>1.2</td></tr> <tr><td>NO.</td><td>NO.119-13</td></tr> </table>	Part No.	DZ13241240920	CH part name	左下台阶	EN part name	Left lower step	RU part name	Ступень нижняя левая	Size:mm	550*250*40	Weight:kg	1.2	NO.	NO.119-13		<table border="1"> <tr><td>Part No.</td><td>81.61510.5197</td></tr> <tr><td>CH part name</td><td>左下台阶</td></tr> <tr><td>EN part name</td><td>Left lower step</td></tr> <tr><td>RU part name</td><td>Ступень нижняя левая</td></tr> <tr><td>Size:mm</td><td>550*250*40</td></tr> <tr><td>Weight:kg</td><td>1.2</td></tr> <tr><td>NO.</td><td>NO.119-7</td></tr> </table>	Part No.	81.61510.5197	CH part name	左下台阶	EN part name	Left lower step	RU part name	Ступень нижняя левая	Size:mm	550*250*40	Weight:kg	1.2	NO.	NO.119-7
Part No.	DZ13241240920																														
CH part name	左下台阶																														
EN part name	Left lower step																														
RU part name	Ступень нижняя левая																														
Size:mm	550*250*40																														
Weight:kg	1.2																														
NO.	NO.119-13																														
Part No.	81.61510.5197																														
CH part name	左下台阶																														
EN part name	Left lower step																														
RU part name	Ступень нижняя левая																														
Size:mm	550*250*40																														
Weight:kg	1.2																														
NO.	NO.119-7																														
Remarks: SHACMAN F2000 F3000 DZ13241240910		Remarks: SHACMAN F2000 81.61510.5181 (低位) DZ1640240018 (自卸车)																													
	<table border="1"> <tr><td>Part No.</td><td>DZ13241240925</td></tr> <tr><td>CH part name</td><td>右下台阶</td></tr> <tr><td>EN part name</td><td>Right lower step</td></tr> <tr><td>RU part name</td><td>Ступень нижняя правая</td></tr> <tr><td>Size:mm</td><td>550*250*40</td></tr> <tr><td>Weight:kg</td><td>1.2</td></tr> <tr><td>NO.</td><td>NO.119-13</td></tr> </table>	Part No.	DZ13241240925	CH part name	右下台阶	EN part name	Right lower step	RU part name	Ступень нижняя правая	Size:mm	550*250*40	Weight:kg	1.2	NO.	NO.119-13		<table border="1"> <tr><td>Part No.</td><td>DZ13241240421/22</td></tr> <tr><td>CH part name</td><td>左右下装饰板</td></tr> <tr><td>EN part name</td><td>Trim assembly left lower</td></tr> <tr><td>RU part name</td><td>салон ассамблеи левой нижней</td></tr> <tr><td>Size:mm</td><td>470*100*50</td></tr> <tr><td>Weight:kg</td><td>0.5</td></tr> <tr><td>NO.</td><td>NO.119-12</td></tr> </table>	Part No.	DZ13241240421/22	CH part name	左右下装饰板	EN part name	Trim assembly left lower	RU part name	салон ассамблеи левой нижней	Size:mm	470*100*50	Weight:kg	0.5	NO.	NO.119-12
Part No.	DZ13241240925																														
CH part name	右下台阶																														
EN part name	Right lower step																														
RU part name	Ступень нижняя правая																														
Size:mm	550*250*40																														
Weight:kg	1.2																														
NO.	NO.119-13																														
Part No.	DZ13241240421/22																														
CH part name	左右下装饰板																														
EN part name	Trim assembly left lower																														
RU part name	салон ассамблеи левой нижней																														
Size:mm	470*100*50																														
Weight:kg	0.5																														
NO.	NO.119-12																														
Remarks: SHACMAN F2000 F3000 DZ13241240915		Remarks: SHACMAN F3000																													
	<table border="1"> <tr><td>Part No.</td><td>DZ13241240930</td></tr> <tr><td>CH part name</td><td>铸铝铰链式左下台阶总成</td></tr> <tr><td>EN part name</td><td>Left lower step</td></tr> <tr><td>RU part name</td><td>Ступень нижняя левая</td></tr> <tr><td>Size:mm</td><td></td></tr> <tr><td>Weight:kg</td><td>1.2</td></tr> <tr><td>NO.</td><td>NO.119-13</td></tr> </table>	Part No.	DZ13241240930	CH part name	铸铝铰链式左下台阶总成	EN part name	Left lower step	RU part name	Ступень нижняя левая	Size:mm		Weight:kg	1.2	NO.	NO.119-13		<table border="1"> <tr><td>Part No.</td><td>DZ13241240940</td></tr> <tr><td>CH part name</td><td>铸铝铰链式右下台阶总成</td></tr> <tr><td>EN part name</td><td>Right lower step</td></tr> <tr><td>RU part name</td><td>Ступень нижняя правая</td></tr> <tr><td>Size:mm</td><td></td></tr> <tr><td>Weight:kg</td><td>1.2</td></tr> <tr><td>NO.</td><td>NO.119-13</td></tr> </table>	Part No.	DZ13241240940	CH part name	铸铝铰链式右下台阶总成	EN part name	Right lower step	RU part name	Ступень нижняя правая	Size:mm		Weight:kg	1.2	NO.	NO.119-13
Part No.	DZ13241240930																														
CH part name	铸铝铰链式左下台阶总成																														
EN part name	Left lower step																														
RU part name	Ступень нижняя левая																														
Size:mm																															
Weight:kg	1.2																														
NO.	NO.119-13																														
Part No.	DZ13241240940																														
CH part name	铸铝铰链式右下台阶总成																														
EN part name	Right lower step																														
RU part name	Ступень нижняя правая																														
Size:mm																															
Weight:kg	1.2																														
NO.	NO.119-13																														
Remarks: SHACMAN F2000 F3000		Remarks: SHACMAN F2000 F3000																													



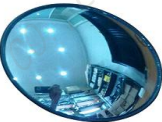





SHACMAN(1)

KD1954 	<table border="1"> <tr><td>Part No.</td><td>81.63703.6019</td></tr> <tr><td>CH part name</td><td>遮阳卷帘</td></tr> <tr><td>EN part name</td><td>Roller sun visor</td></tr> <tr><td>RU part name</td><td>ролик козырька</td></tr> <tr><td>Size:mm</td><td></td></tr> <tr><td>Weight:kg</td><td>0.5</td></tr> <tr><td>NO.</td><td>NO.92-1</td></tr> </table>	Part No.	81.63703.6019	CH part name	遮阳卷帘	EN part name	Roller sun visor	RU part name	ролик козырька	Size:mm		Weight:kg	0.5	NO.	NO.92-1	KD1955 	<table border="1"> <tr><td>Part No.</td><td>DZ1692870086</td></tr> <tr><td>CH part name</td><td>遮阳罩板</td></tr> <tr><td>EN part name</td><td>Sun visor wide</td></tr> <tr><td>RU part name</td><td>козырька широкий</td></tr> <tr><td>Size:mm</td><td></td></tr> <tr><td>Weight:kg</td><td>4.5</td></tr> <tr><td>NO.</td><td>NO.92-12</td></tr> </table>	Part No.	DZ1692870086	CH part name	遮阳罩板	EN part name	Sun visor wide	RU part name	козырька широкий	Size:mm		Weight:kg	4.5	NO.	NO.92-12
Part No.	81.63703.6019																														
CH part name	遮阳卷帘																														
EN part name	Roller sun visor																														
RU part name	ролик козырька																														
Size:mm																															
Weight:kg	0.5																														
NO.	NO.92-1																														
Part No.	DZ1692870086																														
CH part name	遮阳罩板																														
EN part name	Sun visor wide																														
RU part name	козырька широкий																														
Size:mm																															
Weight:kg	4.5																														
NO.	NO.92-12																														
Remarks: SHACMAN F2000 F3000		Remarks: SHACMAN F2000 F3000																													
SUN VISOR ROLLER SUN VISOR		NO.120e																													
		KD1956 	<table border="1"> <tr><td>Part No.</td><td>DZ13241870056</td></tr> <tr><td>CH part name</td><td>遮阳罩上部</td></tr> <tr><td>EN part name</td><td>Sun visor wide</td></tr> <tr><td>RU part name</td><td>козырька широкий</td></tr> <tr><td>Size:mm</td><td>247*30*44</td></tr> <tr><td>Weight:kg</td><td>6.1</td></tr> <tr><td>NO.</td><td>NO.120e-1</td></tr> </table>	Part No.	DZ13241870056	CH part name	遮阳罩上部	EN part name	Sun visor wide	RU part name	козырька широкий	Size:mm	247*30*44	Weight:kg	6.1	NO.	NO.120e-1														
Part No.	DZ13241870056																														
CH part name	遮阳罩上部																														
EN part name	Sun visor wide																														
RU part name	козырька широкий																														
Size:mm	247*30*44																														
Weight:kg	6.1																														
NO.	NO.120e-1																														
Remarks: SHACMAN F3000		Remarks: SHACMAN F3000																													
KD1958 		KD1957 	<table border="1"> <tr><td>Part No.</td><td>DZ13241870054</td></tr> <tr><td>CH part name</td><td>遮阳罩小部件</td></tr> <tr><td>EN part name</td><td>Sun visor wide</td></tr> <tr><td>RU part name</td><td>козырька широкий</td></tr> <tr><td>Size:mm</td><td>246*28*40</td></tr> <tr><td>Weight:kg</td><td>5.5</td></tr> <tr><td>NO.</td><td>NO.120e-25</td></tr> </table>	Part No.	DZ13241870054	CH part name	遮阳罩小部件	EN part name	Sun visor wide	RU part name	козырька широкий	Size:mm	246*28*40	Weight:kg	5.5	NO.	NO.120e-25														
Part No.	DZ13241870054																														
CH part name	遮阳罩小部件																														
EN part name	Sun visor wide																														
RU part name	козырька широкий																														
Size:mm	246*28*40																														
Weight:kg	5.5																														
NO.	NO.120e-25																														
Remarks: SHACMAN F3000		Remarks: SHACMAN F2000 F3000 81.63735.0025																													
KD1958 <table border="1"> <tr><td>Part No.</td><td>DZ13241870060</td></tr> <tr><td>CH part name</td><td>遮阳罩分装总成</td></tr> <tr><td>EN part name</td><td>Sunshade packing assembly</td></tr> <tr><td>RU part name</td><td>sunshade упаковки ассамблеи</td></tr> <tr><td>Size:mm</td><td></td></tr> <tr><td>Weight:kg</td><td>12</td></tr> <tr><td>NO.</td><td>NO.120e-25</td></tr> </table>		Part No.	DZ13241870060	CH part name	遮阳罩分装总成	EN part name	Sunshade packing assembly	RU part name	sunshade упаковки ассамблеи	Size:mm		Weight:kg	12	NO.	NO.120e-25	KD1959 	<table border="1"> <tr><td>Part No.</td><td>DZ13241870043/44</td></tr> <tr><td>CH part name</td><td>装配边支架</td></tr> <tr><td>EN part name</td><td>Mounting bracket</td></tr> <tr><td>RU part name</td><td>Монтаж кронштейна</td></tr> <tr><td>Size:mm</td><td></td></tr> <tr><td>Weight:kg</td><td>0.53</td></tr> <tr><td>NO.</td><td>NO.120e-11-13</td></tr> </table>	Part No.	DZ13241870043/44	CH part name	装配边支架	EN part name	Mounting bracket	RU part name	Монтаж кронштейна	Size:mm		Weight:kg	0.53	NO.	NO.120e-11-13
Part No.	DZ13241870060																														
CH part name	遮阳罩分装总成																														
EN part name	Sunshade packing assembly																														
RU part name	sunshade упаковки ассамблеи																														
Size:mm																															
Weight:kg	12																														
NO.	NO.120e-25																														
Part No.	DZ13241870043/44																														
CH part name	装配边支架																														
EN part name	Mounting bracket																														
RU part name	Монтаж кронштейна																														
Size:mm																															
Weight:kg	0.53																														
NO.	NO.120e-11-13																														

SHACMAN(1)

	<table border="1"> <tr><td>Part No.</td><td>DZ13241770094</td></tr> <tr><td>CH part name</td><td>右侧下视镜</td></tr> <tr><td>EN part name</td><td>Down view mirror</td></tr> <tr><td>RU part name</td><td>Зеркала нижнего вида</td></tr> <tr><td>Size:mm</td><td>260*300*80</td></tr> <tr><td>Weight:kg</td><td>0.8</td></tr> <tr><td>NO.</td><td>NO.121-1</td></tr> </table>	Part No.	DZ13241770094	CH part name	右侧下视镜	EN part name	Down view mirror	RU part name	Зеркала нижнего вида	Size:mm	260*300*80	Weight:kg	0.8	NO.	NO.121-1		<table border="1"> <tr><td>Part No.</td><td>DZ1600770221</td></tr> <tr><td>CH part name</td><td>右侧下视镜</td></tr> <tr><td>EN part name</td><td>Down view mirror</td></tr> <tr><td>RU part name</td><td>Зеркала нижнего вида</td></tr> <tr><td>Size:mm</td><td>260*300*80</td></tr> <tr><td>Weight:kg</td><td>0.8</td></tr> <tr><td>NO.</td><td>NO.121-1</td></tr> </table>	Part No.	DZ1600770221	CH part name	右侧下视镜	EN part name	Down view mirror	RU part name	Зеркала нижнего вида	Size:mm	260*300*80	Weight:kg	0.8	NO.	NO.121-1
Part No.	DZ13241770094																														
CH part name	右侧下视镜																														
EN part name	Down view mirror																														
RU part name	Зеркала нижнего вида																														
Size:mm	260*300*80																														
Weight:kg	0.8																														
NO.	NO.121-1																														
Part No.	DZ1600770221																														
CH part name	右侧下视镜																														
EN part name	Down view mirror																														
RU part name	Зеркала нижнего вида																														
Size:mm	260*300*80																														
Weight:kg	0.8																														
NO.	NO.121-1																														
Remarks: SHACMAN F3000		Remarks: SHACMAN F2000																													
MIRROR BRACKET RIGHT FOR REAR/VIEW MIRROR NO.121																															
			<table border="1"> <tr><td>Part No.</td><td>DZ13241770040</td></tr> <tr><td>CH part name</td><td>右后视镜带支架总成</td></tr> <tr><td>EN part name</td><td>Right rear view mirror</td></tr> <tr><td>RU part name</td><td>Зеркало заднего вида правое</td></tr> <tr><td>Size:mm</td><td>980*180*200</td></tr> <tr><td>Weight:kg</td><td>4.9</td></tr> <tr><td>NO.</td><td>NO.121</td></tr> </table>	Part No.	DZ13241770040	CH part name	右后视镜带支架总成	EN part name	Right rear view mirror	RU part name	Зеркало заднего вида правое	Size:mm	980*180*200	Weight:kg	4.9	NO.	NO.121														
Part No.	DZ13241770040																														
CH part name	右后视镜带支架总成																														
EN part name	Right rear view mirror																														
RU part name	Зеркало заднего вида правое																														
Size:mm	980*180*200																														
Weight:kg	4.9																														
NO.	NO.121																														
Remarks: SHACMAN F2000 F3000		Remarks: SHACMAN F2000 F3000																													
			<table border="1"> <tr><td>Part No.</td><td>DZ13241770060</td></tr> <tr><td>CH part name</td><td>右后视镜带支架总成(电加热)</td></tr> <tr><td>EN part name</td><td>Right rear view mirror</td></tr> <tr><td>RU part name</td><td>Зеркало заднего вида правое</td></tr> <tr><td>Size:mm</td><td>980*180*200</td></tr> <tr><td>Weight:kg</td><td>4.9</td></tr> <tr><td>NO.</td><td>NO.121</td></tr> </table>	Part No.	DZ13241770060	CH part name	右后视镜带支架总成(电加热)	EN part name	Right rear view mirror	RU part name	Зеркало заднего вида правое	Size:mm	980*180*200	Weight:kg	4.9	NO.	NO.121														
Part No.	DZ13241770060																														
CH part name	右后视镜带支架总成(电加热)																														
EN part name	Right rear view mirror																														
RU part name	Зеркало заднего вида правое																														
Size:mm	980*180*200																														
Weight:kg	4.9																														
NO.	NO.121																														
Remarks: SHACMAN F2000 F3000 DZ13241770080		Remarks: SHACMAN F2000 F3000 DZ13241770080																													
	<table border="1"> <tr><td>Part No.</td><td>DZ13241770050</td></tr> <tr><td>CH part name</td><td>左视镜带支架总成(电加热)</td></tr> <tr><td>EN part name</td><td>Left rear view mirror</td></tr> <tr><td>RU part name</td><td>Зеркало заднего вида левое</td></tr> <tr><td>Size:mm</td><td>980*180*200</td></tr> <tr><td>Weight:kg</td><td>3.05</td></tr> <tr><td>NO.</td><td>NO.121</td></tr> </table>	Part No.	DZ13241770050	CH part name	左视镜带支架总成(电加热)	EN part name	Left rear view mirror	RU part name	Зеркало заднего вида левое	Size:mm	980*180*200	Weight:kg	3.05	NO.	NO.121		<table border="1"> <tr><td>Part No.</td><td>DZ1642770030</td></tr> <tr><td>CH part name</td><td>左后视镜支架</td></tr> <tr><td>EN part name</td><td>Left rear view mirror bracket assy.</td></tr> <tr><td>RU part name</td><td>Зеркало заднего вида левое с креплением</td></tr> <tr><td>Size:mm</td><td>1200*300*50</td></tr> <tr><td>Weight:kg</td><td>1.8</td></tr> <tr><td>NO.</td><td>NO.121</td></tr> </table>	Part No.	DZ1642770030	CH part name	左后视镜支架	EN part name	Left rear view mirror bracket assy.	RU part name	Зеркало заднего вида левое с креплением	Size:mm	1200*300*50	Weight:kg	1.8	NO.	NO.121
Part No.	DZ13241770050																														
CH part name	左视镜带支架总成(电加热)																														
EN part name	Left rear view mirror																														
RU part name	Зеркало заднего вида левое																														
Size:mm	980*180*200																														
Weight:kg	3.05																														
NO.	NO.121																														
Part No.	DZ1642770030																														
CH part name	左后视镜支架																														
EN part name	Left rear view mirror bracket assy.																														
RU part name	Зеркало заднего вида левое с креплением																														
Size:mm	1200*300*50																														
Weight:kg	1.8																														
NO.	NO.121																														
Remarks: SHACMAN F2000 F3000 DZ13241770070 DZ13241770090		Remarks: SHACMAN F2000 F3000																													



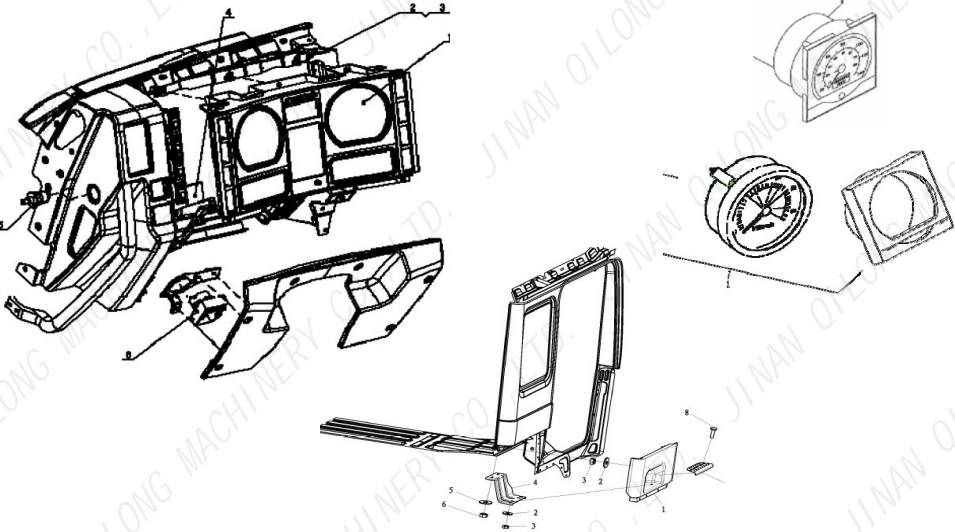



SHACMAN(1)

KD1966			KD1967		
	Part No.	81.63731.6491		Part No.	DZ1640770030
	CH part name	左视镜支架总成 (右置专用)		CH part name	前下视镜带撑杆总成
	EN part name	Left rear view mirror bracket assy.		EN part name	Front down view mirror with bracket assy.
	RU part name	Зеркало заднего вида левое с креплением		RU part name	Зеркало нижнего вида переднее с креплением
	Size:mm	1200*300*50		Size:mm	520*180*50
	Weight:kg	1.8		Weight:kg	1.8
	NO.	NO.121		NO.	NO.121-22
Remarks: SHACMAN F2000 F3000			Remarks: SHACMAN F2000 F3000 右置车		
KD1968			KD1969		
	Part No.	DZ13241770088		Part No.	SZ110000776
	CH part name	前下视镜总成		CH part name	前下视镜
	EN part name	Down view mirror		EN part name	Down view mirror
	RU part name	Зеркало нижнего вида		RU part name	Зеркало нижнего вида
	Size:mm	230*230*50		Size:mm	230*230*50
	Weight:kg	0.4		Weight:kg	0.4
	NO.	NO.121-22		NO.	NO.121-22
Remarks: SHACMAN F2000 F3000 DZ13241770070 (电加热)			Remarks: SHACMAN F2000 F3000		
KD1970			KD1971		
	Part No.	DZ1642770031/0032		Part No.	DZ13241770010
	CH part name	左右后视镜		CH part name	德龙新型右后视镜带支架总成
	EN part name	Left Right rear view mirror		EN part name	Right rear view mirror
	RU part name	Зеркало заднего вида правой стороны		RU part name	Зеркало заднего вида правое
	Size:mm	380*200*140		Size:mm	980*180*200
	Weight:kg	1.5		Weight:kg	4.9
	NO.	NO.121-20		NO.	NO.121-11
Remarks: SHACMAN F2000			Remarks: SHACMAN F2000 F3000		
KD1972			KD1973		
	Part No.	DZ13241770051/0041		Part No.	DZ13241770060
	CH part name	左右后视镜		CH part name	右后视镜带支架总成(电加热)
	EN part name	Left Right rear view mirror		EN part name	Right rear view mirror
	RU part name	Зеркало заднего вида правой стороны		RU part name	Зеркало заднего вида правое
	Size:mm	380*200*140		Size:mm	980*180*200
	Weight:kg	1.65		Weight:kg	4.9
	NO.	NO.121-20		NO.	NO.121-11
Remarks: SHACMAN F3000			Remarks: SHACMAN F2000 F3000		

SHACMAN(1)

	<table border="1"> <tr><td>Part No.</td><td>DZ1642770033</td></tr> <tr><td>CH part name</td><td>宽视野后视镜</td></tr> <tr><td>EN part name</td><td>Wide rear view mirror</td></tr> <tr><td>RU part name</td><td>Зеркало широкого вида</td></tr> <tr><td>Size:mm</td><td>200*160*140</td></tr> <tr><td>Weight:kg</td><td>0.8</td></tr> <tr><td>NO.</td><td>NO.121-21</td></tr> </table>	Part No.	DZ1642770033	CH part name	宽视野后视镜	EN part name	Wide rear view mirror	RU part name	Зеркало широкого вида	Size:mm	200*160*140	Weight:kg	0.8	NO.	NO.121-21		<table border="1"> <tr><td>Part No.</td><td>DZ13241770042</td></tr> <tr><td>CH part name</td><td>广角后视镜总 (右置)</td></tr> <tr><td>EN part name</td><td>Wide rear view mirror</td></tr> <tr><td>RU part name</td><td>Зеркало широкого вида</td></tr> <tr><td>Size:mm</td><td>200*160*140</td></tr> <tr><td>Weight:kg</td><td>0.8</td></tr> <tr><td>NO.</td><td>NO.121-21</td></tr> </table>	Part No.	DZ13241770042	CH part name	广角后视镜总 (右置)	EN part name	Wide rear view mirror	RU part name	Зеркало широкого вида	Size:mm	200*160*140	Weight:kg	0.8	NO.	NO.121-21
Part No.	DZ1642770033																														
CH part name	宽视野后视镜																														
EN part name	Wide rear view mirror																														
RU part name	Зеркало широкого вида																														
Size:mm	200*160*140																														
Weight:kg	0.8																														
NO.	NO.121-21																														
Part No.	DZ13241770042																														
CH part name	广角后视镜总 (右置)																														
EN part name	Wide rear view mirror																														
RU part name	Зеркало широкого вида																														
Size:mm	200*160*140																														
Weight:kg	0.8																														
NO.	NO.121-21																														
Remarks: SHACMAN F2000 F3000		Remarks: SHACMAN F2000 F3000 81.63730.6306																													
	<table border="1"> <tr><td>Part No.</td><td>85.63710.0009</td></tr> <tr><td>CH part name</td><td>左盖后视镜 (L)</td></tr> <tr><td>EN part name</td><td>Cap right</td></tr> <tr><td>RU part name</td><td>ограничения права</td></tr> <tr><td>Size:mm</td><td></td></tr> <tr><td>Weight:kg</td><td>0.01</td></tr> <tr><td>NO.</td><td>NO.121-13-16</td></tr> </table>	Part No.	85.63710.0009	CH part name	左盖后视镜 (L)	EN part name	Cap right	RU part name	ограничения права	Size:mm		Weight:kg	0.01	NO.	NO.121-13-16		<table border="1"> <tr><td>Part No.</td><td>85.63710.0010</td></tr> <tr><td>CH part name</td><td>右盖后视镜 (R)</td></tr> <tr><td>EN part name</td><td>Cap right</td></tr> <tr><td>RU part name</td><td>ограничения права</td></tr> <tr><td>Size:mm</td><td></td></tr> <tr><td>Weight:kg</td><td>0.01</td></tr> <tr><td>NO.</td><td>NO.121-13-16</td></tr> </table>	Part No.	85.63710.0010	CH part name	右盖后视镜 (R)	EN part name	Cap right	RU part name	ограничения права	Size:mm		Weight:kg	0.01	NO.	NO.121-13-16
Part No.	85.63710.0009																														
CH part name	左盖后视镜 (L)																														
EN part name	Cap right																														
RU part name	ограничения права																														
Size:mm																															
Weight:kg	0.01																														
NO.	NO.121-13-16																														
Part No.	85.63710.0010																														
CH part name	右盖后视镜 (R)																														
EN part name	Cap right																														
RU part name	ограничения права																														
Size:mm																															
Weight:kg	0.01																														
NO.	NO.121-13-16																														
Remarks: SHACMAN F2000 F3000		Remarks: SHACMAN F2000 F3000																													
	<table border="1"> <tr><td>Part No.</td><td>81.63731.6490</td></tr> <tr><td>CH part name</td><td>右视镜支架</td></tr> <tr><td>EN part name</td><td>Right rear view mirror bracket assy.</td></tr> <tr><td>RU part name</td><td>Зеркало заднего вида левое с креплением</td></tr> <tr><td>Size:mm</td><td>1200*300*50</td></tr> <tr><td>Weight:kg</td><td>1.95</td></tr> <tr><td>NO.</td><td>NO.121</td></tr> </table>	Part No.	81.63731.6490	CH part name	右视镜支架	EN part name	Right rear view mirror bracket assy.	RU part name	Зеркало заднего вида левое с креплением	Size:mm	1200*300*50	Weight:kg	1.95	NO.	NO.121		<table border="1"> <tr><td>Part No.</td><td>DZ13241930016</td></tr> <tr><td>CH part name</td><td>右脚踏板安装板 (R)</td></tr> <tr><td>EN part name</td><td>Mudguards left rear</td></tr> <tr><td>RU part name</td><td>левое заднее грязевика</td></tr> <tr><td>Size:mm</td><td>630*550.5*340</td></tr> <tr><td>Weight:kg</td><td>5</td></tr> <tr><td>NO.</td><td>NO.122-1</td></tr> </table>	Part No.	DZ13241930016	CH part name	右脚踏板安装板 (R)	EN part name	Mudguards left rear	RU part name	левое заднее грязевика	Size:mm	630*550.5*340	Weight:kg	5	NO.	NO.122-1
Part No.	81.63731.6490																														
CH part name	右视镜支架																														
EN part name	Right rear view mirror bracket assy.																														
RU part name	Зеркало заднего вида левое с креплением																														
Size:mm	1200*300*50																														
Weight:kg	1.95																														
NO.	NO.121																														
Part No.	DZ13241930016																														
CH part name	右脚踏板安装板 (R)																														
EN part name	Mudguards left rear																														
RU part name	левое заднее грязевика																														
Size:mm	630*550.5*340																														
Weight:kg	5																														
NO.	NO.122-1																														
Remarks: SHACMAN F2000 F3000 DZ1642770040		Remarks: SHACMAN F2000 F3000																													
	<table border="1"> <tr><td>Part No.</td><td>DZ13241930015</td></tr> <tr><td>CH part name</td><td>左脚踏板安装板 (L)</td></tr> <tr><td>EN part name</td><td>Mudguards left rear</td></tr> <tr><td>RU part name</td><td>левое заднее грязевика</td></tr> <tr><td>Size:mm</td><td>630*550.5*340</td></tr> <tr><td>Weight:kg</td><td>5</td></tr> <tr><td>NO.</td><td>NO.122-1</td></tr> </table>	Part No.	DZ13241930015	CH part name	左脚踏板安装板 (L)	EN part name	Mudguards left rear	RU part name	левое заднее грязевика	Size:mm	630*550.5*340	Weight:kg	5	NO.	NO.122-1		<table border="1"> <tr><td>Part No.</td><td>DZ13241930012</td></tr> <tr><td>CH part name</td><td>右脚踏板安装板 (R)</td></tr> <tr><td>EN part name</td><td>Mudguards left rear</td></tr> <tr><td>RU part name</td><td>левое заднее грязевика</td></tr> <tr><td>Size:mm</td><td>700*660*360</td></tr> <tr><td>Weight:kg</td><td>5.6</td></tr> <tr><td>NO.</td><td>NO.122-1</td></tr> </table>	Part No.	DZ13241930012	CH part name	右脚踏板安装板 (R)	EN part name	Mudguards left rear	RU part name	левое заднее грязевика	Size:mm	700*660*360	Weight:kg	5.6	NO.	NO.122-1
Part No.	DZ13241930015																														
CH part name	左脚踏板安装板 (L)																														
EN part name	Mudguards left rear																														
RU part name	левое заднее грязевика																														
Size:mm	630*550.5*340																														
Weight:kg	5																														
NO.	NO.122-1																														
Part No.	DZ13241930012																														
CH part name	右脚踏板安装板 (R)																														
EN part name	Mudguards left rear																														
RU part name	левое заднее грязевика																														
Size:mm	700*660*360																														
Weight:kg	5.6																														
NO.	NO.122-1																														
Remarks: SHACMAN F2000 F3000		Remarks: SHACMAN F2000 F3000																													



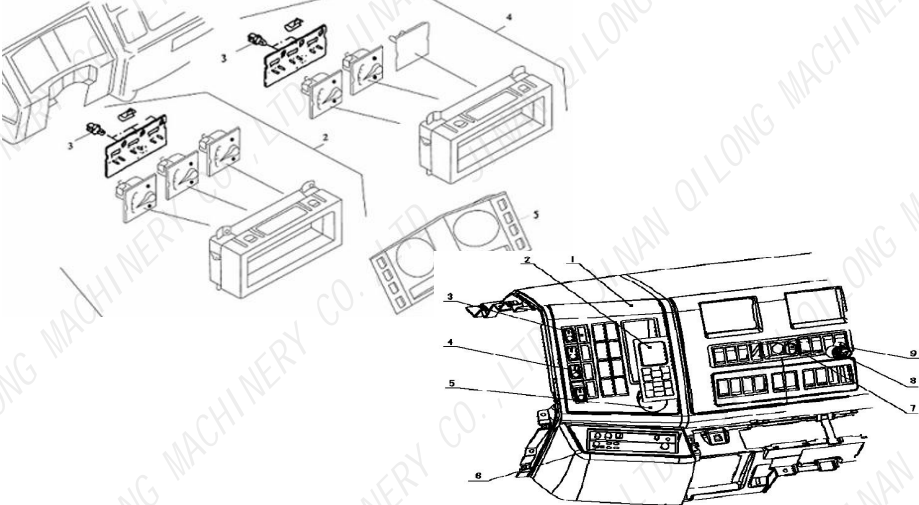



SHACMAN(1)

	<table border="1"> <tr><td>Part No.</td><td>DZ13241930011</td></tr> <tr><td>CH part name</td><td>左脚踏板安装板 (L)</td></tr> <tr><td>EN part name</td><td>Mudguards left rear</td></tr> <tr><td>RU part name</td><td>левое заднее грязевика</td></tr> <tr><td>Size:mm</td><td>700*660*360</td></tr> <tr><td>Weight:kg</td><td>5.6</td></tr> <tr><td>NO.</td><td>NO.122-1</td></tr> </table>	Part No.	DZ13241930011	CH part name	左脚踏板安装板 (L)	EN part name	Mudguards left rear	RU part name	левое заднее грязевика	Size:mm	700*660*360	Weight:kg	5.6	NO.	NO.122-1		<table border="1"> <tr><td>Part No.</td><td>DZ93189582160</td></tr> <tr><td>CH part name</td><td>组合仪表</td></tr> <tr><td>EN part name</td><td>Combination instrument panel</td></tr> <tr><td>RU part name</td><td>Панель приборов в сборе</td></tr> <tr><td>Size:mm</td><td>400*240*120</td></tr> <tr><td>Weight:kg</td><td>1.55</td></tr> <tr><td>NO.</td><td>NO.122-1</td></tr> </table>	Part No.	DZ93189582160	CH part name	组合仪表	EN part name	Combination instrument panel	RU part name	Панель приборов в сборе	Size:mm	400*240*120	Weight:kg	1.55	NO.	NO.122-1
Part No.	DZ13241930011																														
CH part name	左脚踏板安装板 (L)																														
EN part name	Mudguards left rear																														
RU part name	левое заднее грязевика																														
Size:mm	700*660*360																														
Weight:kg	5.6																														
NO.	NO.122-1																														
Part No.	DZ93189582160																														
CH part name	组合仪表																														
EN part name	Combination instrument panel																														
RU part name	Панель приборов в сборе																														
Size:mm	400*240*120																														
Weight:kg	1.55																														
NO.	NO.122-1																														
Remarks: SHACMAN F2000 F3000		Remarks: SHACMAN F2000 F3000 DZ93189582180																													
Mudguards left rear/ Combined instrument		NO.122																													
			<table border="1"> <tr><td>Part No.</td><td>DZ91189581010</td></tr> <tr><td>CH part name</td><td>组合仪表</td></tr> <tr><td>EN part name</td><td>Combination instrument panel</td></tr> <tr><td>RU part name</td><td>Панель приборов в сборе</td></tr> <tr><td>Size:mm</td><td>400*240*120</td></tr> <tr><td>Weight:kg</td><td>1.55</td></tr> <tr><td>NO.</td><td>NO.122-1</td></tr> </table>	Part No.	DZ91189581010	CH part name	组合仪表	EN part name	Combination instrument panel	RU part name	Панель приборов в сборе	Size:mm	400*240*120	Weight:kg	1.55	NO.	NO.122-1														
Part No.	DZ91189581010																														
CH part name	组合仪表																														
EN part name	Combination instrument panel																														
RU part name	Панель приборов в сборе																														
Size:mm	400*240*120																														
Weight:kg	1.55																														
NO.	NO.122-1																														
Remarks: SHACMAN F2000 F3000		Remarks: SHACMAN F2000 F3000																													
	<table border="1"> <tr><td>Part No.</td><td>DZ93189582230</td></tr> <tr><td>CH part name</td><td>组合仪表</td></tr> <tr><td>EN part name</td><td>Combination instrument panel</td></tr> <tr><td>RU part name</td><td>Панель приборов в сборе</td></tr> <tr><td>Size:mm</td><td>400*240*120</td></tr> <tr><td>Weight:kg</td><td>2.2</td></tr> <tr><td>NO.</td><td>NO.122-1</td></tr> </table>	Part No.	DZ93189582230	CH part name	组合仪表	EN part name	Combination instrument panel	RU part name	Панель приборов в сборе	Size:mm	400*240*120	Weight:kg	2.2	NO.	NO.122-1		<table border="1"> <tr><td>Part No.</td><td>DZ95189582210</td></tr> <tr><td>CH part name</td><td>组合仪表(CMIC)</td></tr> <tr><td>EN part name</td><td>Combination instrument panel</td></tr> <tr><td>RU part name</td><td>Панель приборов в сборе</td></tr> <tr><td>Size:mm</td><td>400*240*120</td></tr> <tr><td>Weight:kg</td><td>1.55</td></tr> <tr><td>NO.</td><td>NO.122-1</td></tr> </table>	Part No.	DZ95189582210	CH part name	组合仪表(CMIC)	EN part name	Combination instrument panel	RU part name	Панель приборов в сборе	Size:mm	400*240*120	Weight:kg	1.55	NO.	NO.122-1
Part No.	DZ93189582230																														
CH part name	组合仪表																														
EN part name	Combination instrument panel																														
RU part name	Панель приборов в сборе																														
Size:mm	400*240*120																														
Weight:kg	2.2																														
NO.	NO.122-1																														
Part No.	DZ95189582210																														
CH part name	组合仪表(CMIC)																														
EN part name	Combination instrument panel																														
RU part name	Панель приборов в сборе																														
Size:mm	400*240*120																														
Weight:kg	1.55																														
NO.	NO.122-1																														
Remarks: SHACMAN F2000 F3000 VDO.步进电机		Remarks: SHACMAN F2000 F3000																													

SHACMAN(1)

	<p>Part No. DZ9100586063 CH part name 组合仪表框架总成 EN part name Instrument cluster RU part name документом кластера Size:mm 400*240*120 Weight:kg 0.78 NO. NO.122-1</p>		<p>Part No. 81.25505.0989 CH part name 门灯开关 EN part name Door lamp switch RU part name двери огонь выключатель Size:mm 20*60.3 Weight:kg 0.001 NO. NO.122-5</p>
Remarks: SHACMAN F2000 F3000 SZ958000608		Remarks: SHACMAN F2000 F3000	
	<p>Part No. DZ93189582251 CH part name 电子车速里程表 EN part name Electronic speedometer RU part name Электронный спидометр Size:mm 130*130*110 Weight:kg 0.5 NO. NO.122</p>		<p>Part No. 81.61930.6070 CH part name 室内温度传感器 EN part name Inner temperature sensor RU part name внутренний температурный датчик Size:mm Weight:kg 0.04 NO. NO.122-6</p>
Remarks: SHACMAN F2000 F3000 81.27110.6048		Remarks: SHACMAN F2000 F3000	
	<p>Part No. DZ9100584137 CH part name 电子里程表 EN part name Electronic speedometer RU part name Электронный спидометр Size:mm Weight:kg 0.5 NO. NO.122</p>		<p>Part No. DZ9100580140 CH part name 电子转速表 EN part name Electronic speedometer RU part name Электронный спидометр Size:mm Weight:kg 0.5 NO. NO.122</p>
Remarks: SHACMAN F2000 F3000 WP10 DZ9100584060		Remarks: SHACMAN F2000 F3000 DZ9112580039	
	<p>Part No. DZ9100586012 CH part name 电子转速表(3.63:1) EN part name Electronic speedometer RU part name Электронный спидометр Size:mm 130*130*110 Weight:kg 0.5 NO. NO.122</p>		<p>Part No. DZ93189582254 CH part name 电子转速表 (4 : 1) EN part name Electronic speedometer RU part name Электронный спидометр Size:mm 130*130*110 Weight:kg 0.5 NO. NO.122</p>
Remarks: SHACMAN F2000 F3000 DZ93189582252(3.39 : 1)DZ9100586020(3.39:1)		Remarks: SHACMAN F2000 F3000 DZ9100586040(4:1) DZ9100586202(3.793:1)	

SHACMAN(1)

<p>KD1996</p> 	<table border="1"> <tr><td>Part No.</td><td>DZ9100586023</td></tr> <tr><td>CH part name</td><td>油压-水温组合表 (CAN)</td></tr> <tr><td>EN part name</td><td>Com. panel of oil pressure and water temperature</td></tr> <tr><td>RU part name</td><td>Датчик панели приборов (давл масла, t охл жидк)</td></tr> <tr><td>Size:mm</td><td>150*80*50</td></tr> <tr><td>Weight:kg</td><td>0.3</td></tr> <tr><td>NO.</td><td>NO.113-4</td></tr> </table>	Part No.	DZ9100586023	CH part name	油压-水温组合表 (CAN)	EN part name	Com. panel of oil pressure and water temperature	RU part name	Датчик панели приборов (давл масла, t охл жидк)	Size:mm	150*80*50	Weight:kg	0.3	NO.	NO.113-4	<p>KD1997</p> 	<table border="1"> <tr><td>Part No.</td><td>DZ9100586015</td></tr> <tr><td>CH part name</td><td>燃油-气压 I -气压II组合表</td></tr> <tr><td>EN part name</td><td>Combination panel of fuel and air pressure</td></tr> <tr><td>RU part name</td><td>Указатель уровня топлива и давления воздуха</td></tr> <tr><td>Size:mm</td><td>150*80*50</td></tr> <tr><td>Weight:kg</td><td>0.3</td></tr> <tr><td>NO.</td><td>NO.113-2</td></tr> </table>	Part No.	DZ9100586015	CH part name	燃油-气压 I -气压II组合表	EN part name	Combination panel of fuel and air pressure	RU part name	Указатель уровня топлива и давления воздуха	Size:mm	150*80*50	Weight:kg	0.3	NO.	NO.113-2
Part No.	DZ9100586023																														
CH part name	油压-水温组合表 (CAN)																														
EN part name	Com. panel of oil pressure and water temperature																														
RU part name	Датчик панели приборов (давл масла, t охл жидк)																														
Size:mm	150*80*50																														
Weight:kg	0.3																														
NO.	NO.113-4																														
Part No.	DZ9100586015																														
CH part name	燃油-气压 I -气压II组合表																														
EN part name	Combination panel of fuel and air pressure																														
RU part name	Указатель уровня топлива и давления воздуха																														
Size:mm	150*80*50																														
Weight:kg	0.3																														
NO.	NO.113-2																														
Remarks: SHACMAN F2000 F3000		Remarks: SHACMAN F2000 F3000																													
<p>Combined instrument/SWITCH NO.113</p>																															
		<p>KD1998</p> 	<table border="1"> <tr><td>Part No.</td><td>DZ9100586016</td></tr> <tr><td>CH part name</td><td>油压-水温组合表</td></tr> <tr><td>EN part name</td><td>Com. panel of oil pressure and water temperature</td></tr> <tr><td>RU part name</td><td>Датчик панели приборов (давл масла, t охл жидк)</td></tr> <tr><td>Size:mm</td><td>150*80*50</td></tr> <tr><td>Weight:kg</td><td>0.3</td></tr> <tr><td>NO.</td><td>NO.113-4</td></tr> </table>	Part No.	DZ9100586016	CH part name	油压-水温组合表	EN part name	Com. panel of oil pressure and water temperature	RU part name	Датчик панели приборов (давл масла, t охл жидк)	Size:mm	150*80*50	Weight:kg	0.3	NO.	NO.113-4														
Part No.	DZ9100586016																														
CH part name	油压-水温组合表																														
EN part name	Com. panel of oil pressure and water temperature																														
RU part name	Датчик панели приборов (давл масла, t охл жидк)																														
Size:mm	150*80*50																														
Weight:kg	0.3																														
NO.	NO.113-4																														
Remarks: SHACMAN F2000 F3000		Remarks: SHACMAN F2000 F3000																													
<p>KD2000</p> 	<table border="1"> <tr><td>Part No.</td><td>DZ9100773077</td></tr> <tr><td>CH part name</td><td>电子里程表线束</td></tr> <tr><td>EN part name</td><td>Electronic odometer cab cable</td></tr> <tr><td>RU part name</td><td>электронный счетчик такси.</td></tr> <tr><td>Size:mm</td><td></td></tr> <tr><td>Weight:kg</td><td>0.25</td></tr> <tr><td>NO.</td><td>NO.113</td></tr> </table>	Part No.	DZ9100773077	CH part name	电子里程表线束	EN part name	Electronic odometer cab cable	RU part name	электронный счетчик такси.	Size:mm		Weight:kg	0.25	NO.	NO.113	<p>KD2001</p> 	<table border="1"> <tr><td>Part No.</td><td>DZ93189781020</td></tr> <tr><td>CH part name</td><td>24V收放机 (全电子调谐、USB接口)</td></tr> <tr><td>EN part name</td><td>Radio</td></tr> <tr><td>RU part name</td><td>Радиоприемник</td></tr> <tr><td>Size:mm</td><td>180*220*60</td></tr> <tr><td>Weight:kg</td><td>1.44</td></tr> <tr><td>NO.</td><td>NO.113-6</td></tr> </table>	Part No.	DZ93189781020	CH part name	24V收放机 (全电子调谐、USB接口)	EN part name	Radio	RU part name	Радиоприемник	Size:mm	180*220*60	Weight:kg	1.44	NO.	NO.113-6
Part No.	DZ9100773077																														
CH part name	电子里程表线束																														
EN part name	Electronic odometer cab cable																														
RU part name	электронный счетчик такси.																														
Size:mm																															
Weight:kg	0.25																														
NO.	NO.113																														
Part No.	DZ93189781020																														
CH part name	24V收放机 (全电子调谐、USB接口)																														
EN part name	Radio																														
RU part name	Радиоприемник																														
Size:mm	180*220*60																														
Weight:kg	1.44																														
NO.	NO.113-6																														
Remarks: SHACMAN F2000 F3000 DZ9100773079		Remarks: SHACMAN F2000 F3000																													

SHACMAN(1)

	<table border="1"> <tr><td>Part No.</td><td>81.25907.0225</td></tr> <tr><td>CH part name</td><td>灯光亮度开关</td></tr> <tr><td>EN part name</td><td>Horn switch</td></tr> <tr><td>RU part name</td><td>Свет яркость выключатель</td></tr> <tr><td>Size:mm</td><td>50*40*30</td></tr> <tr><td>Weight:kg</td><td>0.023</td></tr> <tr><td>NO.</td><td>NO.113E-15</td></tr> </table>	Part No.	81.25907.0225	CH part name	灯光亮度开关	EN part name	Horn switch	RU part name	Свет яркость выключатель	Size:mm	50*40*30	Weight:kg	0.023	NO.	NO.113E-15		<table border="1"> <tr><td>Part No.</td><td>81.25503.6302</td></tr> <tr><td>CH part name</td><td>后雾灯开关</td></tr> <tr><td>EN part name</td><td>Rear fog light switch</td></tr> <tr><td>RU part name</td><td>После WuDeng выключатель</td></tr> <tr><td>Size:mm</td><td>58*49*25</td></tr> <tr><td>Weight:kg</td><td>0.026</td></tr> <tr><td>NO.</td><td>NO.113E-12</td></tr> </table>	Part No.	81.25503.6302	CH part name	后雾灯开关	EN part name	Rear fog light switch	RU part name	После WuDeng выключатель	Size:mm	58*49*25	Weight:kg	0.026	NO.	NO.113E-12
Part No.	81.25907.0225																														
CH part name	灯光亮度开关																														
EN part name	Horn switch																														
RU part name	Свет яркость выключатель																														
Size:mm	50*40*30																														
Weight:kg	0.023																														
NO.	NO.113E-15																														
Part No.	81.25503.6302																														
CH part name	后雾灯开关																														
EN part name	Rear fog light switch																														
RU part name	После WuDeng выключатель																														
Size:mm	58*49*25																														
Weight:kg	0.026																														
NO.	NO.113E-12																														
Remarks: SHACMAN F2000 F3000		Remarks: SHACMAN F2000 F3000																													
	<table border="1"> <tr><td>Part No.</td><td>81.25505.6291</td></tr> <tr><td>CH part name</td><td>危机报警翘板开关</td></tr> <tr><td>EN part name</td><td>Emergency alarm switch</td></tr> <tr><td>RU part name</td><td>Кризис сигнал Qiao лист выключатель</td></tr> <tr><td>Size:mm</td><td>58*49*25</td></tr> <tr><td>Weight:kg</td><td>0.027</td></tr> <tr><td>NO.</td><td>NO.113E-10</td></tr> </table>	Part No.	81.25505.6291	CH part name	危机报警翘板开关	EN part name	Emergency alarm switch	RU part name	Кризис сигнал Qiao лист выключатель	Size:mm	58*49*25	Weight:kg	0.027	NO.	NO.113E-10		<table border="1"> <tr><td>Part No.</td><td>81.25505.6255</td></tr> <tr><td>CH part name</td><td>灯光翘板开关</td></tr> <tr><td>EN part name</td><td>Light switch</td></tr> <tr><td>RU part name</td><td>Выключатель лампы</td></tr> <tr><td>Size:mm</td><td>58*49*25</td></tr> <tr><td>Weight:kg</td><td>0.026</td></tr> <tr><td>NO.</td><td>NO.113E-11</td></tr> </table>	Part No.	81.25505.6255	CH part name	灯光翘板开关	EN part name	Light switch	RU part name	Выключатель лампы	Size:mm	58*49*25	Weight:kg	0.026	NO.	NO.113E-11
Part No.	81.25505.6291																														
CH part name	危机报警翘板开关																														
EN part name	Emergency alarm switch																														
RU part name	Кризис сигнал Qiao лист выключатель																														
Size:mm	58*49*25																														
Weight:kg	0.027																														
NO.	NO.113E-10																														
Part No.	81.25505.6255																														
CH part name	灯光翘板开关																														
EN part name	Light switch																														
RU part name	Выключатель лампы																														
Size:mm	58*49*25																														
Weight:kg	0.026																														
NO.	NO.113E-11																														
Remarks: SHACMAN F2000 F3000		Remarks: SHACMAN F2000 F3000																													
	<table border="1"> <tr><td>Part No.</td><td>DZ9100586005</td></tr> <tr><td>CH part name</td><td>喇叭转换开关</td></tr> <tr><td>EN part name</td><td>Horn switch</td></tr> <tr><td>RU part name</td><td>Рупор переключатель</td></tr> <tr><td>Size:mm</td><td>58*49*25</td></tr> <tr><td>Weight:kg</td><td>0.02</td></tr> <tr><td>NO.</td><td>NO.113E-2</td></tr> </table>	Part No.	DZ9100586005	CH part name	喇叭转换开关	EN part name	Horn switch	RU part name	Рупор переключатель	Size:mm	58*49*25	Weight:kg	0.02	NO.	NO.113E-2		<table border="1"> <tr><td>Part No.</td><td>DZ9100586006</td></tr> <tr><td>CH part name</td><td>工作照明灯翘板开关</td></tr> <tr><td>EN part name</td><td>Working lamp switch</td></tr> <tr><td>RU part name</td><td>Выключатель освещения</td></tr> <tr><td>Size:mm</td><td>58*49*25</td></tr> <tr><td>Weight:kg</td><td>0.02</td></tr> <tr><td>NO.</td><td>NO.113E-1</td></tr> </table>	Part No.	DZ9100586006	CH part name	工作照明灯翘板开关	EN part name	Working lamp switch	RU part name	Выключатель освещения	Size:mm	58*49*25	Weight:kg	0.02	NO.	NO.113E-1
Part No.	DZ9100586005																														
CH part name	喇叭转换开关																														
EN part name	Horn switch																														
RU part name	Рупор переключатель																														
Size:mm	58*49*25																														
Weight:kg	0.02																														
NO.	NO.113E-2																														
Part No.	DZ9100586006																														
CH part name	工作照明灯翘板开关																														
EN part name	Working lamp switch																														
RU part name	Выключатель освещения																														
Size:mm	58*49*25																														
Weight:kg	0.02																														
NO.	NO.113E-1																														
Remarks: SHACMAN F2000 F3000		Remarks: SHACMAN F2000 F3000																													
	<table border="1"> <tr><td>Part No.</td><td>DZ9100586033</td></tr> <tr><td>CH part name</td><td>取力器工作选择开关</td></tr> <tr><td>EN part name</td><td>Power take off select switch</td></tr> <tr><td>RU part name</td><td>Прибор для отбора мощности переключатель</td></tr> <tr><td>Size:mm</td><td>58*49*25</td></tr> <tr><td>Weight:kg</td><td>0.027</td></tr> <tr><td>NO.</td><td>NO.113E-4</td></tr> </table>	Part No.	DZ9100586033	CH part name	取力器工作选择开关	EN part name	Power take off select switch	RU part name	Прибор для отбора мощности переключатель	Size:mm	58*49*25	Weight:kg	0.027	NO.	NO.113E-4		<table border="1"> <tr><td>Part No.</td><td>81.25505.6267</td></tr> <tr><td>CH part name</td><td>轮间差速锁翘板开关</td></tr> <tr><td>EN part name</td><td>Switch for differential lock</td></tr> <tr><td>RU part name</td><td>Qiao лист выключатель</td></tr> <tr><td>Size:mm</td><td>58*49*25</td></tr> <tr><td>Weight:kg</td><td>0.027</td></tr> <tr><td>NO.</td><td>NO.113E-3</td></tr> </table>	Part No.	81.25505.6267	CH part name	轮间差速锁翘板开关	EN part name	Switch for differential lock	RU part name	Qiao лист выключатель	Size:mm	58*49*25	Weight:kg	0.027	NO.	NO.113E-3
Part No.	DZ9100586033																														
CH part name	取力器工作选择开关																														
EN part name	Power take off select switch																														
RU part name	Прибор для отбора мощности переключатель																														
Size:mm	58*49*25																														
Weight:kg	0.027																														
NO.	NO.113E-4																														
Part No.	81.25505.6267																														
CH part name	轮间差速锁翘板开关																														
EN part name	Switch for differential lock																														
RU part name	Qiao лист выключатель																														
Size:mm	58*49*25																														
Weight:kg	0.027																														
NO.	NO.113E-3																														
Remarks: SHACMAN F2000 F3000 189200580040		Remarks: SHACMAN F2000 F3000																													

SHACMAN(1)

	<table border="1"> <tr><td>Part No.</td><td>DZ9100586223</td></tr> <tr><td>CH part name</td><td>EDC诊断开关</td></tr> <tr><td>EN part name</td><td>EDC diagnose switch</td></tr> <tr><td>RU part name</td><td>EDC диагностировать выключатель</td></tr> <tr><td>Size:mm</td><td>58*49*25</td></tr> <tr><td>Weight:kg</td><td>0.026</td></tr> <tr><td>NO.</td><td>NO.113E-8</td></tr> </table>	Part No.	DZ9100586223	CH part name	EDC诊断开关	EN part name	EDC diagnose switch	RU part name	EDC диагностировать выключатель	Size:mm	58*49*25	Weight:kg	0.026	NO.	NO.113E-8		<table border="1"> <tr><td>Part No.</td><td>81.25505.6280</td></tr> <tr><td>CH part name</td><td>轴间差速锁翘板开关</td></tr> <tr><td>EN part name</td><td>Interaxial differential lock cock switch.</td></tr> <tr><td>RU part name</td><td>Qiao лист выключатель</td></tr> <tr><td>Size:mm</td><td>58*49*25</td></tr> <tr><td>Weight:kg</td><td>0.027</td></tr> <tr><td>NO.</td><td>NO.113E-5</td></tr> </table>	Part No.	81.25505.6280	CH part name	轴间差速锁翘板开关	EN part name	Interaxial differential lock cock switch.	RU part name	Qiao лист выключатель	Size:mm	58*49*25	Weight:kg	0.027	NO.	NO.113E-5
Part No.	DZ9100586223																														
CH part name	EDC诊断开关																														
EN part name	EDC diagnose switch																														
RU part name	EDC диагностировать выключатель																														
Size:mm	58*49*25																														
Weight:kg	0.026																														
NO.	NO.113E-8																														
Part No.	81.25505.6280																														
CH part name	轴间差速锁翘板开关																														
EN part name	Interaxial differential lock cock switch.																														
RU part name	Qiao лист выключатель																														
Size:mm	58*49*25																														
Weight:kg	0.027																														
NO.	NO.113E-5																														
Remarks: SHACMAN F2000 F3000		Remarks: SHACMAN F2000 F3000																													
	<table border="1"> <tr><td>Part No.</td><td>DZ9100586058</td></tr> <tr><td>CH part name</td><td>巡航控制开关</td></tr> <tr><td>EN part name</td><td>Cruise control switch</td></tr> <tr><td>RU part name</td><td>круиз - контроль</td></tr> <tr><td>Size:mm</td><td>58*49*25</td></tr> <tr><td>Weight:kg</td><td>0.025</td></tr> <tr><td>NO.</td><td>NO.113E-9</td></tr> </table>	Part No.	DZ9100586058	CH part name	巡航控制开关	EN part name	Cruise control switch	RU part name	круиз - контроль	Size:mm	58*49*25	Weight:kg	0.025	NO.	NO.113E-9		<table border="1"> <tr><td>Part No.</td><td>81.25505.6326</td></tr> <tr><td>CH part name</td><td>高顶驾驶室内照明灯翘板开关</td></tr> <tr><td>EN part name</td><td>Reading lamp switch</td></tr> <tr><td>RU part name</td><td>чтение огня выключатель</td></tr> <tr><td>Size:mm</td><td>58*49*25</td></tr> <tr><td>Weight:kg</td><td>0.027</td></tr> <tr><td>NO.</td><td>NO.113E-6</td></tr> </table>	Part No.	81.25505.6326	CH part name	高顶驾驶室内照明灯翘板开关	EN part name	Reading lamp switch	RU part name	чтение огня выключатель	Size:mm	58*49*25	Weight:kg	0.027	NO.	NO.113E-6
Part No.	DZ9100586058																														
CH part name	巡航控制开关																														
EN part name	Cruise control switch																														
RU part name	круиз - контроль																														
Size:mm	58*49*25																														
Weight:kg	0.025																														
NO.	NO.113E-9																														
Part No.	81.25505.6326																														
CH part name	高顶驾驶室内照明灯翘板开关																														
EN part name	Reading lamp switch																														
RU part name	чтение огня выключатель																														
Size:mm	58*49*25																														
Weight:kg	0.027																														
NO.	NO.113E-6																														
Remarks: SHACMAN F2000 F3000		Remarks: SHACMAN F2000 F3000																													
	<table border="1"> <tr><td>Part No.</td><td>DZ9100586210</td></tr> <tr><td>CH part name</td><td>巡航功能恢复开关</td></tr> <tr><td>EN part name</td><td>Power take off select switch</td></tr> <tr><td>RU part name</td><td>власти снять выберите переход</td></tr> <tr><td>Size:mm</td><td>58*49*25</td></tr> <tr><td>Weight:kg</td><td>0.025</td></tr> <tr><td>NO.</td><td>NO.113E-14</td></tr> </table>	Part No.	DZ9100586210	CH part name	巡航功能恢复开关	EN part name	Power take off select switch	RU part name	власти снять выберите переход	Size:mm	58*49*25	Weight:kg	0.025	NO.	NO.113E-14		<table border="1"> <tr><td>Part No.</td><td>DZ9100586057</td></tr> <tr><td>CH part name</td><td>怠速调整开关</td></tr> <tr><td>EN part name</td><td>Idle speed adjustment switch</td></tr> <tr><td>RU part name</td><td>в режиме холостого хода перестройки выключатель</td></tr> <tr><td>Size:mm</td><td>58*49*25</td></tr> <tr><td>Weight:kg</td><td>0.025</td></tr> <tr><td>NO.</td><td>NO.113E-7</td></tr> </table>	Part No.	DZ9100586057	CH part name	怠速调整开关	EN part name	Idle speed adjustment switch	RU part name	в режиме холостого хода перестройки выключатель	Size:mm	58*49*25	Weight:kg	0.025	NO.	NO.113E-7
Part No.	DZ9100586210																														
CH part name	巡航功能恢复开关																														
EN part name	Power take off select switch																														
RU part name	власти снять выберите переход																														
Size:mm	58*49*25																														
Weight:kg	0.025																														
NO.	NO.113E-14																														
Part No.	DZ9100586057																														
CH part name	怠速调整开关																														
EN part name	Idle speed adjustment switch																														
RU part name	в режиме холостого хода перестройки выключатель																														
Size:mm	58*49*25																														
Weight:kg	0.025																														
NO.	NO.113E-7																														
Remarks: SHACMAN F2000 F3000		Remarks: SHACMAN F2000 F3000																													
	<table border="1"> <tr><td>Part No.</td><td>81.25505.6262</td></tr> <tr><td>CH part name</td><td>后视镜加热翘板</td></tr> <tr><td>EN part name</td><td>Switch for mirror heating</td></tr> <tr><td>RU part name</td><td>переключиться на зеркало, отопление</td></tr> <tr><td>Size:mm</td><td>58*49*25</td></tr> <tr><td>Weight:kg</td><td>0.025</td></tr> <tr><td>NO.</td><td>NO.113E-17</td></tr> </table>	Part No.	81.25505.6262	CH part name	后视镜加热翘板	EN part name	Switch for mirror heating	RU part name	переключиться на зеркало, отопление	Size:mm	58*49*25	Weight:kg	0.025	NO.	NO.113E-17		<table border="1"> <tr><td>Part No.</td><td>81.25503.6131</td></tr> <tr><td>CH part name</td><td>高顶驾驶室电动天窗翘板开关</td></tr> <tr><td>EN part name</td><td>Electric clearstory switch</td></tr> <tr><td>RU part name</td><td>электрический clearstory выключатель</td></tr> <tr><td>Size:mm</td><td>58*49*25</td></tr> <tr><td>Weight:kg</td><td>0.025</td></tr> <tr><td>NO.</td><td>NO.113E-16</td></tr> </table>	Part No.	81.25503.6131	CH part name	高顶驾驶室电动天窗翘板开关	EN part name	Electric clearstory switch	RU part name	электрический clearstory выключатель	Size:mm	58*49*25	Weight:kg	0.025	NO.	NO.113E-16
Part No.	81.25505.6262																														
CH part name	后视镜加热翘板																														
EN part name	Switch for mirror heating																														
RU part name	переключиться на зеркало, отопление																														
Size:mm	58*49*25																														
Weight:kg	0.025																														
NO.	NO.113E-17																														
Part No.	81.25503.6131																														
CH part name	高顶驾驶室电动天窗翘板开关																														
EN part name	Electric clearstory switch																														
RU part name	электрический clearstory выключатель																														
Size:mm	58*49*25																														
Weight:kg	0.025																														
NO.	NO.113E-16																														
Remarks: SHACMAN F2000 F3000		Remarks: SHACMAN F2000 F3000																													

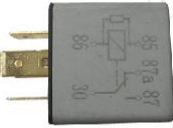

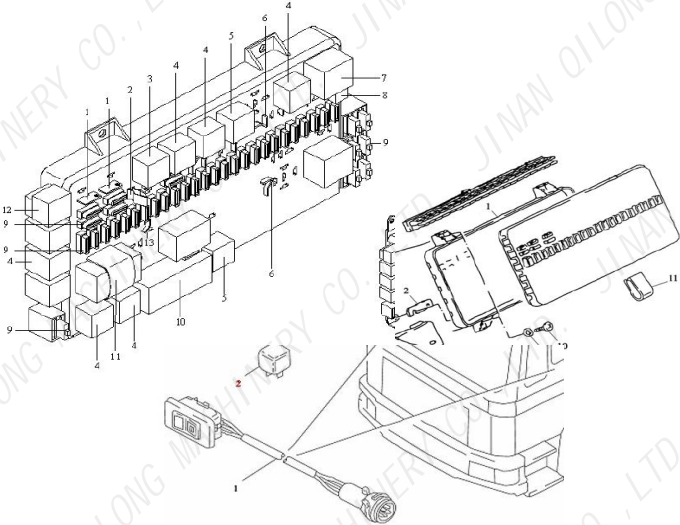

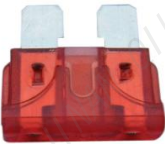

SHACMAN(1)

Combined instrument/SWITCH		NO.113E	
	KD2018		
		Part No.	DZ93189583041
		CH part name	ABS诊断开关
		EN part name	ABS diagnostic switch
		RU part name	абс диагностических выключатель
		Size:mm	58*49*25
		Weight:kg	0.025
		NO.	NO.113E
	Remarks: SHACMAN F2000 F3000		
	KD2019		
		Part No.	DZ9200581023
		CH part name	辅助远光灯翘板开关
		EN part name	Auxiliary lighter switch
		RU part name	вспомогательные легче перейти
		Size:mm	58*49*25
		Weight:kg	0.03
		NO.	NO.113E
Remarks: SHACMAN F2000 F3000			
KD2020			
	Part No.	DZ9100586226	
	CH part name	远程油门转换开关	
	EN part name	Lightness adjusting switch	
	RU part name	легкость корректировки выключатель	
	Size:mm		
	Weight:kg	0.025	
	NO.	NO.113E	
	Remarks: SHACMAN F2000 F3000		
KD2021			
	Part No.	DZ9100586056	
	CH part name	发动机制动器开关	
	EN part name	diagnose switch	
	RU part name	диагностировать выключатель	
	Size:mm	58*49*25	
	Weight:kg	0.03	
	NO.	NO.113E	
	Remarks: SHACMAN F2000 F3000 DZ9100586055		
KD2022			
	Part No.	81.25505.6607	
	CH part name	雾灯翘板开关	
	EN part name	Fog lamp warping switch.	
	RU part name	WuDeng Qiao лист выключатель	
	Size:mm	58*49*25	
	Weight:kg	0.03	
	NO.	NO.113E	
	Remarks: SHACMAN F2000 F3000		
KD2023			
	Part No.	81.25505.6327	
	CH part name	高顶驾驶室天窗照明翘板开关	
	EN part name	Skylight - lighting switch.	
	RU part name	Qiao лист выключатель	
	Size:mm	58*49*25	
	Weight:kg	0.031	
	NO.	NO.113E	
	Remarks: SHACMAN F2000 F3000		









SHACMAN(1)

	<table border="1"> <tr><td>Part No.</td><td>DZ9100586226</td></tr> <tr><td>CH part name</td><td>远程油门转换开关</td></tr> <tr><td>EN part name</td><td>Remote throttle switch.</td></tr> <tr><td>RU part name</td><td>Дальний газ переключатель</td></tr> <tr><td>Size:mm</td><td>58*49*25</td></tr> <tr><td>Weight:kg</td><td>0.029</td></tr> <tr><td>NO.</td><td>NO.113E</td></tr> </table>	Part No.	DZ9100586226	CH part name	远程油门转换开关	EN part name	Remote throttle switch.	RU part name	Дальний газ переключатель	Size:mm	58*49*25	Weight:kg	0.029	NO.	NO.113E		<table border="1"> <tr><td>Part No.</td><td>DZ9200581021</td></tr> <tr><td>CH part name</td><td>喇叭转换翘板开关</td></tr> <tr><td>EN part name</td><td>Horn switch</td></tr> <tr><td>RU part name</td><td>Рупор переключатель</td></tr> <tr><td>Size:mm</td><td>58*49*25</td></tr> <tr><td>Weight:kg</td><td>0.023</td></tr> <tr><td>NO.</td><td>NO.113E</td></tr> </table>	Part No.	DZ9200581021	CH part name	喇叭转换翘板开关	EN part name	Horn switch	RU part name	Рупор переключатель	Size:mm	58*49*25	Weight:kg	0.023	NO.	NO.113E
Part No.	DZ9100586226																														
CH part name	远程油门转换开关																														
EN part name	Remote throttle switch.																														
RU part name	Дальний газ переключатель																														
Size:mm	58*49*25																														
Weight:kg	0.029																														
NO.	NO.113E																														
Part No.	DZ9200581021																														
CH part name	喇叭转换翘板开关																														
EN part name	Horn switch																														
RU part name	Рупор переключатель																														
Size:mm	58*49*25																														
Weight:kg	0.023																														
NO.	NO.113E																														
Remarks: SHACMAN F2000 F3000		Remarks: SHACMAN F2000 F3000																													
	<table border="1"> <tr><td>Part No.</td><td>DZ93189582511</td></tr> <tr><td>CH part name</td><td>电磁式电源总开关翘板开关</td></tr> <tr><td>EN part name</td><td>Power supply switchboard switch.</td></tr> <tr><td>RU part name</td><td>Qiao лист выключатель</td></tr> <tr><td>Size:mm</td><td>58*49*25</td></tr> <tr><td>Weight:kg</td><td>0.021</td></tr> <tr><td>NO.</td><td>NO.113E</td></tr> </table>	Part No.	DZ93189582511	CH part name	电磁式电源总开关翘板开关	EN part name	Power supply switchboard switch.	RU part name	Qiao лист выключатель	Size:mm	58*49*25	Weight:kg	0.021	NO.	NO.113E		<table border="1"> <tr><td>Part No.</td><td>DZ95189582515</td></tr> <tr><td>CH part name</td><td>驾驶室翻转翘板开关</td></tr> <tr><td>EN part name</td><td>Become warped plate switch</td></tr> <tr><td>RU part name</td><td>Qiao лист выключатель</td></tr> <tr><td>Size:mm</td><td>58*49*25</td></tr> <tr><td>Weight:kg</td><td>0.02</td></tr> <tr><td>NO.</td><td>NO.113E</td></tr> </table>	Part No.	DZ95189582515	CH part name	驾驶室翻转翘板开关	EN part name	Become warped plate switch	RU part name	Qiao лист выключатель	Size:mm	58*49*25	Weight:kg	0.02	NO.	NO.113E
Part No.	DZ93189582511																														
CH part name	电磁式电源总开关翘板开关																														
EN part name	Power supply switchboard switch.																														
RU part name	Qiao лист выключатель																														
Size:mm	58*49*25																														
Weight:kg	0.021																														
NO.	NO.113E																														
Part No.	DZ95189582515																														
CH part name	驾驶室翻转翘板开关																														
EN part name	Become warped plate switch																														
RU part name	Qiao лист выключатель																														
Size:mm	58*49*25																														
Weight:kg	0.02																														
NO.	NO.113E																														
Remarks: SHACMAN		Remarks: SHACMAN F2000 F3000																													
	<table border="1"> <tr><td>Part No.</td><td>DZ9100586400</td></tr> <tr><td>CH part name</td><td>中央电器板</td></tr> <tr><td>EN part name</td><td>Central control block</td></tr> <tr><td>RU part name</td><td>Центральный блок предохранителей</td></tr> <tr><td>Size:mm</td><td>360*250*80</td></tr> <tr><td>Weight:kg</td><td>2.4</td></tr> <tr><td>NO.</td><td>NO.114</td></tr> </table>	Part No.	DZ9100586400	CH part name	中央电器板	EN part name	Central control block	RU part name	Центральный блок предохранителей	Size:mm	360*250*80	Weight:kg	2.4	NO.	NO.114		<table border="1"> <tr><td>Part No.</td><td>81.25444.6060</td></tr> <tr><td>CH part name</td><td>中央电器版</td></tr> <tr><td>EN part name</td><td>Central control block</td></tr> <tr><td>RU part name</td><td>Центральный блок предохранителей</td></tr> <tr><td>Size:mm</td><td>360*250*80</td></tr> <tr><td>Weight:kg</td><td>2.05</td></tr> <tr><td>NO.</td><td>NO.114</td></tr> </table>	Part No.	81.25444.6060	CH part name	中央电器版	EN part name	Central control block	RU part name	Центральный блок предохранителей	Size:mm	360*250*80	Weight:kg	2.05	NO.	NO.114
Part No.	DZ9100586400																														
CH part name	中央电器板																														
EN part name	Central control block																														
RU part name	Центральный блок предохранителей																														
Size:mm	360*250*80																														
Weight:kg	2.4																														
NO.	NO.114																														
Part No.	81.25444.6060																														
CH part name	中央电器版																														
EN part name	Central control block																														
RU part name	Центральный блок предохранителей																														
Size:mm	360*250*80																														
Weight:kg	2.05																														
NO.	NO.114																														
Remarks: SHACMAN F2000 F3000		Remarks: SHACMAN F2000 F3000																													
	<table border="1"> <tr><td>Part No.</td><td>81.25902.0459</td></tr> <tr><td>CH part name</td><td>继电器</td></tr> <tr><td>EN part name</td><td>Relay</td></tr> <tr><td>RU part name</td><td>Реле</td></tr> <tr><td>Size:mm</td><td>27*36*27</td></tr> <tr><td>Weight:kg</td><td>0.04</td></tr> <tr><td>NO.</td><td>NO.114-4</td></tr> </table>	Part No.	81.25902.0459	CH part name	继电器	EN part name	Relay	RU part name	Реле	Size:mm	27*36*27	Weight:kg	0.04	NO.	NO.114-4		<table border="1"> <tr><td>Part No.</td><td>81.25902.0410</td></tr> <tr><td>CH part name</td><td>继电器 2*20A</td></tr> <tr><td>EN part name</td><td>Relay</td></tr> <tr><td>RU part name</td><td>Реле</td></tr> <tr><td>Size:mm</td><td>27*36*27</td></tr> <tr><td>Weight:kg</td><td>0.04</td></tr> <tr><td>NO.</td><td>NO.114-3</td></tr> </table>	Part No.	81.25902.0410	CH part name	继电器 2*20A	EN part name	Relay	RU part name	Реле	Size:mm	27*36*27	Weight:kg	0.04	NO.	NO.114-3
Part No.	81.25902.0459																														
CH part name	继电器																														
EN part name	Relay																														
RU part name	Реле																														
Size:mm	27*36*27																														
Weight:kg	0.04																														
NO.	NO.114-4																														
Part No.	81.25902.0410																														
CH part name	继电器 2*20A																														
EN part name	Relay																														
RU part name	Реле																														
Size:mm	27*36*27																														
Weight:kg	0.04																														
NO.	NO.114-3																														
Remarks: SHACMAN F2000 F3000 X3000		Remarks: SHACMAN F2000 F3000 X3000																													

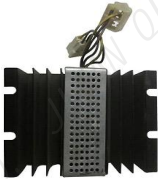

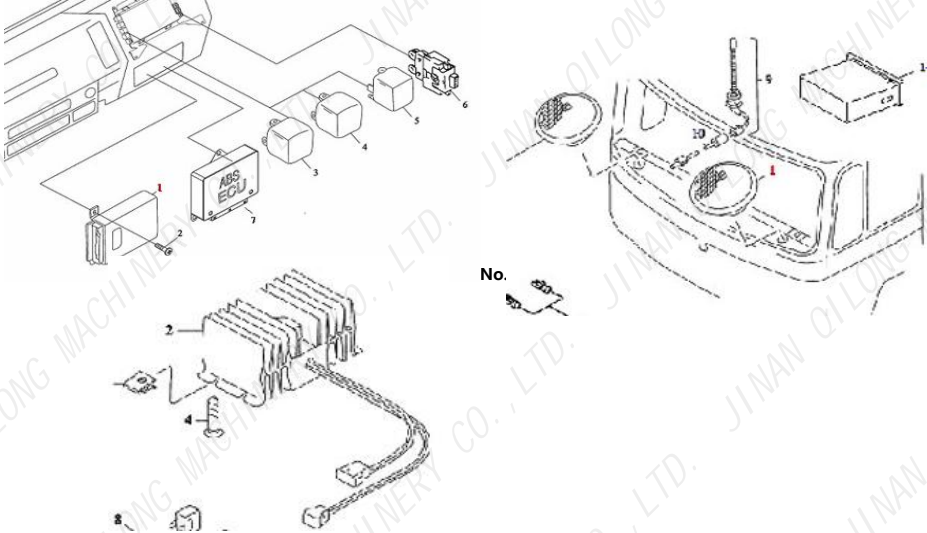



SHACMAN(1)

	<table border="1"> <tr><td>Part No.</td><td>81.25902.0460</td></tr> <tr><td>CH part name</td><td>继电器</td></tr> <tr><td>EN part name</td><td>Relay</td></tr> <tr><td>RU part name</td><td>Реле</td></tr> <tr><td>Size:mm</td><td>27*36*27</td></tr> <tr><td>Weight:kg</td><td>0.04</td></tr> <tr><td>NO.</td><td>NO.114-5</td></tr> </table>	Part No.	81.25902.0460	CH part name	继电器	EN part name	Relay	RU part name	Реле	Size:mm	27*36*27	Weight:kg	0.04	NO.	NO.114-5		<table border="1"> <tr><td>Part No.</td><td>81.25902.0317</td></tr> <tr><td>CH part name</td><td>中央继电器(+15)</td></tr> <tr><td>EN part name</td><td>Relay</td></tr> <tr><td>RU part name</td><td>Реле</td></tr> <tr><td>Size:mm</td><td>27*36*27</td></tr> <tr><td>Weight:kg</td><td>0.033</td></tr> <tr><td>NO.</td><td>NO.114-7</td></tr> </table>	Part No.	81.25902.0317	CH part name	中央继电器(+15)	EN part name	Relay	RU part name	Реле	Size:mm	27*36*27	Weight:kg	0.033	NO.	NO.114-7
Part No.	81.25902.0460																														
CH part name	继电器																														
EN part name	Relay																														
RU part name	Реле																														
Size:mm	27*36*27																														
Weight:kg	0.04																														
NO.	NO.114-5																														
Part No.	81.25902.0317																														
CH part name	中央继电器(+15)																														
EN part name	Relay																														
RU part name	Реле																														
Size:mm	27*36*27																														
Weight:kg	0.033																														
NO.	NO.114-7																														
Remarks: SHACMAN F2000 F3000		Remarks: SHACMAN F2000 F3000																													
ELECTRIC PANEL I WP10/WP12 CENTER ELECTRIC PANEL II		NO.114																													
			<table border="1"> <tr><td>Part No.</td><td>81.25927.0099</td></tr> <tr><td>CH part name</td><td>二极管(压缩机电磁开关)</td></tr> <tr><td>EN part name</td><td>Diode</td></tr> <tr><td>RU part name</td><td>Диод</td></tr> <tr><td>Size:mm</td><td>27*36*27</td></tr> <tr><td>Weight:kg</td><td>0.034</td></tr> <tr><td>NO.</td><td>NO.114-8</td></tr> </table>	Part No.	81.25927.0099	CH part name	二极管(压缩机电磁开关)	EN part name	Diode	RU part name	Диод	Size:mm	27*36*27	Weight:kg	0.034	NO.	NO.114-8														
Part No.	81.25927.0099																														
CH part name	二极管(压缩机电磁开关)																														
EN part name	Diode																														
RU part name	Диод																														
Size:mm	27*36*27																														
Weight:kg	0.034																														
NO.	NO.114-8																														
Remarks: SHACMAN F2000 F3000		Remarks: SHACMAN F2000 F3000																													
	<table border="1"> <tr><td>Part No.</td><td>81.25436.0065</td></tr> <tr><td>CH part name</td><td>保险片10A</td></tr> <tr><td>EN part name</td><td>Red fuse</td></tr> <tr><td>RU part name</td><td>красный предохранитель</td></tr> <tr><td>Size:mm</td><td></td></tr> <tr><td>Weight:kg</td><td>0.02</td></tr> <tr><td>NO.</td><td>NO.114-9</td></tr> </table>	Part No.	81.25436.0065	CH part name	保险片10A	EN part name	Red fuse	RU part name	красный предохранитель	Size:mm		Weight:kg	0.02	NO.	NO.114-9		<table border="1"> <tr><td>Part No.</td><td>81.25436.0066</td></tr> <tr><td>CH part name</td><td>蓝色保险片15A</td></tr> <tr><td>EN part name</td><td>Red fuse</td></tr> <tr><td>RU part name</td><td>красный предохранитель</td></tr> <tr><td>Size:mm</td><td></td></tr> <tr><td>Weight:kg</td><td>0.0112</td></tr> <tr><td>NO.</td><td>NO.114-9</td></tr> </table>	Part No.	81.25436.0066	CH part name	蓝色保险片15A	EN part name	Red fuse	RU part name	красный предохранитель	Size:mm		Weight:kg	0.0112	NO.	NO.114-9
Part No.	81.25436.0065																														
CH part name	保险片10A																														
EN part name	Red fuse																														
RU part name	красный предохранитель																														
Size:mm																															
Weight:kg	0.02																														
NO.	NO.114-9																														
Part No.	81.25436.0066																														
CH part name	蓝色保险片15A																														
EN part name	Red fuse																														
RU part name	красный предохранитель																														
Size:mm																															
Weight:kg	0.0112																														
NO.	NO.114-9																														
Remarks: SHACMAN F2000 F3000 X3000		Remarks: SHACMAN F2000 F3000 X3000																													



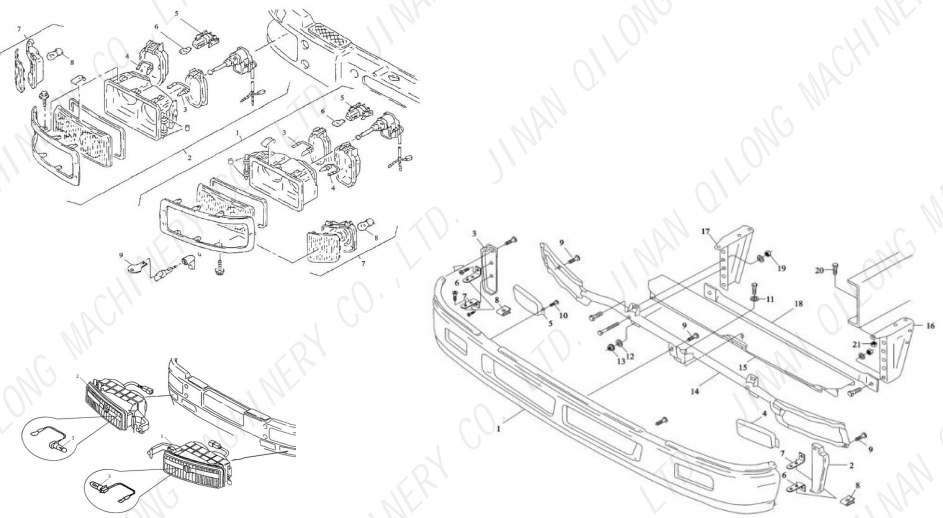



SHACMAN(1)

	<p>Part No. 81.25436.0067 CH part name 黄色保险片20A EN part name Red fuse RU part name красный предохранитель Size:mm Weight:kg 0.0112 NO. NO.114-9</p>		<p>Part No. 81.25436.0068 CH part name 白色保险片25A EN part name Red fuse RU part name красный предохранитель Size:mm Weight:kg 0.0112 NO. NO.114-9</p>
Remarks: SHACMAN F2000 F3000 X3000		Remarks: SHACMAN F2000 F3000 X3000	
	<p>Part No. 81.25436.0079 CH part name 橙色保险片40A EN part name Red fuse RU part name красный предохранитель Size:mm Weight:kg 0.0112 NO. NO.114-9</p>		<p>Part No. 81.25311.0023 CH part name 雨刮-闪光继电器 EN part name Wiper relay RU part name Реле стеклоочистителя Size:mm 75*50*35 Weight:kg 0.073 NO. NO.114-10</p>
Remarks: SHACMAN F2000 F3000 X3000		Remarks: SHACMAN F2000 F3000 十插头	
	<p>Part No. 81.25902.0469 CH part name 后雾灯继电器 EN part name Rear fog lamp relay RU part name Реле задних противотуманных фонарей Size:mm 27*36*27 Weight:kg 0.01 NO. NO.114-12</p>		<p>Part No. DZ9200581010 CH part name 雨刮-闪光继电器 EN part name Wiper relay RU part name Реле стеклоочистителя Size:mm 75*50*35 Weight:kg 0.073 NO. NO.114-11</p>
Remarks: SHACMAN F2000 F3000		Remarks: SHACMAN F2000 F3000 九插头 81.25311.0006 DZ93189585806	
	<p>Part No. 81.25503.0223 CH part name 电动玻璃升降器翘板开关 EN part name Electric window lifter switch RU part name электрический погрузчик поменять окна Size:mm Weight:kg 0.02 NO. NO.114-1</p>		<p>Part No. DZ9100580211 CH part name ABS中央控制器 EN part name ABS controller RU part name Центральный пункт управления Size:mm 150*120*80 Weight:kg 1.2 NO. NO.115-7</p>
Remarks: SHACMAN F2000 F3000		Remarks: SHACMAN F2000 F3000	









SHACMAN(1)

	<table border="1"> <tr><td>Part No.</td><td>81.25907.0269</td></tr> <tr><td>CH part name</td><td>变压器(24-12V)</td></tr> <tr><td>EN part name</td><td>Transformer</td></tr> <tr><td>RU part name</td><td>трансформатор</td></tr> <tr><td>Size:mm</td><td></td></tr> <tr><td>Weight:kg</td><td>0.2</td></tr> <tr><td>NO.</td><td>NO.115-2</td></tr> </table>	Part No.	81.25907.0269	CH part name	变压器(24-12V)	EN part name	Transformer	RU part name	трансформатор	Size:mm		Weight:kg	0.2	NO.	NO.115-2		<table border="1"> <tr><td>Part No.</td><td>DZ9100580201</td></tr> <tr><td>CH part name</td><td>ABS中央控制器</td></tr> <tr><td>EN part name</td><td>ABS controller</td></tr> <tr><td>RU part name</td><td>Центральный пункт управления</td></tr> <tr><td>Size:mm</td><td>150*120*80</td></tr> <tr><td>Weight:kg</td><td>1.2</td></tr> <tr><td>NO.</td><td>NO.115-7</td></tr> </table>	Part No.	DZ9100580201	CH part name	ABS中央控制器	EN part name	ABS controller	RU part name	Центральный пункт управления	Size:mm	150*120*80	Weight:kg	1.2	NO.	NO.115-7
Part No.	81.25907.0269																														
CH part name	变压器(24-12V)																														
EN part name	Transformer																														
RU part name	трансформатор																														
Size:mm																															
Weight:kg	0.2																														
NO.	NO.115-2																														
Part No.	DZ9100580201																														
CH part name	ABS中央控制器																														
EN part name	ABS controller																														
RU part name	Центральный пункт управления																														
Size:mm	150*120*80																														
Weight:kg	1.2																														
NO.	NO.115-7																														
Remarks: SHACMAN F2000 F3000		Remarks: SHACMAN F2000 F3000																													
Transformer connecting line		NO.115																													
																															
Remarks: SHACMAN F2000 F3000																															
		<table border="1"> <tr><td>Part No.</td><td>DZ93189791010</td></tr> <tr><td>CH part name</td><td>变压器(24V-12V 3A-1A)</td></tr> <tr><td>EN part name</td><td>Transformer</td></tr> <tr><td>RU part name</td><td>трансформатор</td></tr> <tr><td>Size:mm</td><td></td></tr> <tr><td>Weight:kg</td><td>0.15</td></tr> <tr><td>NO.</td><td>NO.115-2</td></tr> </table>		Part No.	DZ93189791010	CH part name	变压器(24V-12V 3A-1A)	EN part name	Transformer	RU part name	трансформатор	Size:mm		Weight:kg	0.15	NO.	NO.115-2														
Part No.	DZ93189791010																														
CH part name	变压器(24V-12V 3A-1A)																														
EN part name	Transformer																														
RU part name	трансформатор																														
Size:mm																															
Weight:kg	0.15																														
NO.	NO.115-2																														
Remarks: SHACMAN F2000 F3000																															
																															
<table border="1"> <tr><td>Part No.</td><td>DZ9112930210</td></tr> <tr><td>CH part name</td><td>高位保险杠</td></tr> <tr><td>EN part name</td><td>Bumper</td></tr> <tr><td>RU part name</td><td>Бампер</td></tr> <tr><td>Size:mm</td><td>2450*250*280</td></tr> <tr><td>Weight:kg</td><td>19.55</td></tr> <tr><td>NO.</td><td>NO.116</td></tr> </table>		Part No.	DZ9112930210	CH part name	高位保险杠	EN part name	Bumper	RU part name	Бампер	Size:mm	2450*250*280	Weight:kg	19.55	NO.	NO.116	<table border="1"> <tr><td>Part No.</td><td>DZ93189932010</td></tr> <tr><td>CH part name</td><td>中位保险杠</td></tr> <tr><td>EN part name</td><td>Bumper</td></tr> <tr><td>RU part name</td><td>Бампер</td></tr> <tr><td>Size:mm</td><td>2450*500*280</td></tr> <tr><td>Weight:kg</td><td>25.5</td></tr> <tr><td>NO.</td><td>NO.116</td></tr> </table>		Part No.	DZ93189932010	CH part name	中位保险杠	EN part name	Bumper	RU part name	Бампер	Size:mm	2450*500*280	Weight:kg	25.5	NO.	NO.116
Part No.	DZ9112930210																														
CH part name	高位保险杠																														
EN part name	Bumper																														
RU part name	Бампер																														
Size:mm	2450*250*280																														
Weight:kg	19.55																														
NO.	NO.116																														
Part No.	DZ93189932010																														
CH part name	中位保险杠																														
EN part name	Bumper																														
RU part name	Бампер																														
Size:mm	2450*500*280																														
Weight:kg	25.5																														
NO.	NO.116																														
Remarks: SHACMAN F2000 81.41610.4114		Remarks: SHACMAN F2000																													









SHACMAN(1)

	<table border="1"> <tr><td>Part No.</td><td>DZ9112930230</td></tr> <tr><td>CH part name</td><td>窄付保险杠高位</td></tr> <tr><td>EN part name</td><td>Bumper</td></tr> <tr><td>RU part name</td><td>Бампер</td></tr> <tr><td>Size:mm</td><td>2450*250*220</td></tr> <tr><td>Weight:kg</td><td>4</td></tr> <tr><td>NO.</td><td>NO.116-1</td></tr> </table>	Part No.	DZ9112930230	CH part name	窄付保险杠高位	EN part name	Bumper	RU part name	Бампер	Size:mm	2450*250*220	Weight:kg	4	NO.	NO.116-1		<table border="1"> <tr><td>Part No.</td><td>DZ9112930240</td></tr> <tr><td>CH part name</td><td>中位付保险杠总成</td></tr> <tr><td>EN part name</td><td>Bumper</td></tr> <tr><td>RU part name</td><td>Бампер</td></tr> <tr><td>Size:mm</td><td></td></tr> <tr><td>Weight:kg</td><td>4.6</td></tr> <tr><td>NO.</td><td>NO.116-1</td></tr> </table>	Part No.	DZ9112930240	CH part name	中位付保险杠总成	EN part name	Bumper	RU part name	Бампер	Size:mm		Weight:kg	4.6	NO.	NO.116-1
Part No.	DZ9112930230																														
CH part name	窄付保险杠高位																														
EN part name	Bumper																														
RU part name	Бампер																														
Size:mm	2450*250*220																														
Weight:kg	4																														
NO.	NO.116-1																														
Part No.	DZ9112930240																														
CH part name	中位付保险杠总成																														
EN part name	Bumper																														
RU part name	Бампер																														
Size:mm																															
Weight:kg	4.6																														
NO.	NO.116-1																														
Remarks: SHACMAN F2000		Remarks: SHACMAN F2000																													
HEADLAMPS WITH FLASHER/Bumper F2000		NO.116																													
			<table border="1"> <tr><td>Part No.</td><td>81.41613.5035</td></tr> <tr><td>CH part name</td><td>大灯支架</td></tr> <tr><td>EN part name</td><td>Head lamp bracket</td></tr> <tr><td>RU part name</td><td>Кронштейн фары</td></tr> <tr><td>Size:mm</td><td>2300*240*150</td></tr> <tr><td>Weight:kg</td><td>22</td></tr> <tr><td>NO.</td><td>NO.116-14</td></tr> </table>	Part No.	81.41613.5035	CH part name	大灯支架	EN part name	Head lamp bracket	RU part name	Кронштейн фары	Size:mm	2300*240*150	Weight:kg	22	NO.	NO.116-14														
Part No.	81.41613.5035																														
CH part name	大灯支架																														
EN part name	Head lamp bracket																														
RU part name	Кронштейн фары																														
Size:mm	2300*240*150																														
Weight:kg	22																														
NO.	NO.116-14																														
Remarks: SHACMAN F2000		Remarks: SHACMAN F2000																													
	<table border="1"> <tr><td>Part No.</td><td>DZ9100726030</td></tr> <tr><td>CH part name</td><td>前照灯左</td></tr> <tr><td>EN part name</td><td>Left head lamp</td></tr> <tr><td>RU part name</td><td>Фара передняя левая</td></tr> <tr><td>Size:mm</td><td>600*260*210</td></tr> <tr><td>Weight:kg</td><td>2.5</td></tr> <tr><td>NO.</td><td>NO.116-1</td></tr> </table>	Part No.	DZ9100726030	CH part name	前照灯左	EN part name	Left head lamp	RU part name	Фара передняя левая	Size:mm	600*260*210	Weight:kg	2.5	NO.	NO.116-1		<table border="1"> <tr><td>Part No.</td><td>DZ9200721022</td></tr> <tr><td>CH part name</td><td>灯泡</td></tr> <tr><td>EN part name</td><td>Bulb</td></tr> <tr><td>RU part name</td><td>колба</td></tr> <tr><td>Size:mm</td><td></td></tr> <tr><td>Weight:kg</td><td>0.01</td></tr> <tr><td>NO.</td><td>NO.116-3</td></tr> </table>	Part No.	DZ9200721022	CH part name	灯泡	EN part name	Bulb	RU part name	колба	Size:mm		Weight:kg	0.01	NO.	NO.116-3
Part No.	DZ9100726030																														
CH part name	前照灯左																														
EN part name	Left head lamp																														
RU part name	Фара передняя левая																														
Size:mm	600*260*210																														
Weight:kg	2.5																														
NO.	NO.116-1																														
Part No.	DZ9200721022																														
CH part name	灯泡																														
EN part name	Bulb																														
RU part name	колба																														
Size:mm																															
Weight:kg	0.01																														
NO.	NO.116-3																														
Remarks: SHACMAN F2000 DZ93189722020		Remarks: SHACMAN F2000 H7 24V70W 81.25901.0091 H7-24V-70W-HG																													

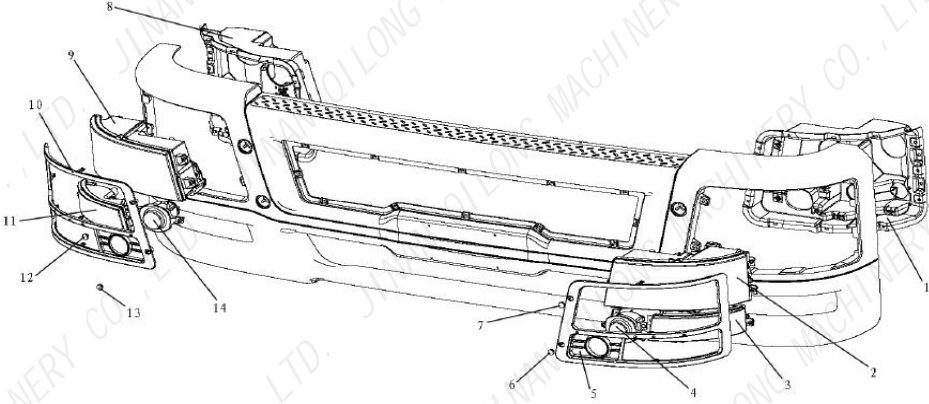






SHACMAN(1)

	<p>KD2058</p> <table border="1"> <tr><td>Part No.</td><td>DZ9200721021</td></tr> <tr><td>CH part name</td><td>灯泡</td></tr> <tr><td>EN part name</td><td>Bulb</td></tr> <tr><td>RU part name</td><td>колба</td></tr> <tr><td>Size:mm</td><td></td></tr> <tr><td>Weight:kg</td><td>0.01</td></tr> <tr><td>NO.</td><td>NO.116-4</td></tr> </table>	Part No.	DZ9200721021	CH part name	灯泡	EN part name	Bulb	RU part name	колба	Size:mm		Weight:kg	0.01	NO.	NO.116-4		<p>KD2059</p> <table border="1"> <tr><td>Part No.</td><td>DZ9200721023</td></tr> <tr><td>CH part name</td><td>灯泡</td></tr> <tr><td>EN part name</td><td>Bulb</td></tr> <tr><td>RU part name</td><td>колба</td></tr> <tr><td>Size:mm</td><td></td></tr> <tr><td>Weight:kg</td><td>0.01</td></tr> <tr><td>NO.</td><td>NO.116-6</td></tr> </table>	Part No.	DZ9200721023	CH part name	灯泡	EN part name	Bulb	RU part name	колба	Size:mm		Weight:kg	0.01	NO.	NO.116-6
Part No.	DZ9200721021																														
CH part name	灯泡																														
EN part name	Bulb																														
RU part name	колба																														
Size:mm																															
Weight:kg	0.01																														
NO.	NO.116-4																														
Part No.	DZ9200721023																														
CH part name	灯泡																														
EN part name	Bulb																														
RU part name	колба																														
Size:mm																															
Weight:kg	0.01																														
NO.	NO.116-6																														
Remarks:SHACMAN F2000 H1 24V70W		Remarks:SHACMAN F2000 81.25901.0093																													
	<p>KD2060</p> <table border="1"> <tr><td>Part No.</td><td>81.25320.6082</td></tr> <tr><td>CH part name</td><td>转向灯</td></tr> <tr><td>EN part name</td><td>Flashers</td></tr> <tr><td>RU part name</td><td>флешеров</td></tr> <tr><td>Size:mm</td><td></td></tr> <tr><td>Weight:kg</td><td>0.095</td></tr> <tr><td>NO.</td><td>NO.116-7</td></tr> </table>	Part No.	81.25320.6082	CH part name	转向灯	EN part name	Flashers	RU part name	флешеров	Size:mm		Weight:kg	0.095	NO.	NO.116-7		<p>KD2061</p> <table border="1"> <tr><td>Part No.</td><td>81.25901.0075</td></tr> <tr><td>CH part name</td><td>灯泡</td></tr> <tr><td>EN part name</td><td>Bulb</td></tr> <tr><td>RU part name</td><td>колба</td></tr> <tr><td>Size:mm</td><td></td></tr> <tr><td>Weight:kg</td><td>0.01</td></tr> <tr><td>NO.</td><td>NO.116-8</td></tr> </table>	Part No.	81.25901.0075	CH part name	灯泡	EN part name	Bulb	RU part name	колба	Size:mm		Weight:kg	0.01	NO.	NO.116-8
Part No.	81.25320.6082																														
CH part name	转向灯																														
EN part name	Flashers																														
RU part name	флешеров																														
Size:mm																															
Weight:kg	0.095																														
NO.	NO.116-7																														
Part No.	81.25901.0075																														
CH part name	灯泡																														
EN part name	Bulb																														
RU part name	колба																														
Size:mm																															
Weight:kg	0.01																														
NO.	NO.116-8																														
Remarks: SHACMAN F2000		Remarks: SHACMAN F2000 P21W-24V-BAY15S-HD 81.25901.0016																													
	<p>KD2062</p> <table border="1"> <tr><td>Part No.</td><td>DZ9100726050</td></tr> <tr><td>CH part name</td><td>前雾灯左</td></tr> <tr><td>EN part name</td><td>Headlights and foglights left</td></tr> <tr><td>RU part name</td><td>Передняя противотуманная фара левая</td></tr> <tr><td>Size:mm</td><td>280*150*130</td></tr> <tr><td>Weight:kg</td><td>0.6</td></tr> <tr><td>NO.</td><td>NO.116-1</td></tr> </table>	Part No.	DZ9100726050	CH part name	前雾灯左	EN part name	Headlights and foglights left	RU part name	Передняя противотуманная фара левая	Size:mm	280*150*130	Weight:kg	0.6	NO.	NO.116-1		<p>KD2063</p> <table border="1"> <tr><td>Part No.</td><td>DZ9100726040</td></tr> <tr><td>CH part name</td><td>前雾灯右</td></tr> <tr><td>EN part name</td><td>Headlights and foglights right</td></tr> <tr><td>RU part name</td><td>Передняя противотуманная фара левая</td></tr> <tr><td>Size:mm</td><td>280*150*130</td></tr> <tr><td>Weight:kg</td><td>0.6</td></tr> <tr><td>NO.</td><td>NO.116-2</td></tr> </table>	Part No.	DZ9100726040	CH part name	前雾灯右	EN part name	Headlights and foglights right	RU part name	Передняя противотуманная фара левая	Size:mm	280*150*130	Weight:kg	0.6	NO.	NO.116-2
Part No.	DZ9100726050																														
CH part name	前雾灯左																														
EN part name	Headlights and foglights left																														
RU part name	Передняя противотуманная фара левая																														
Size:mm	280*150*130																														
Weight:kg	0.6																														
NO.	NO.116-1																														
Part No.	DZ9100726040																														
CH part name	前雾灯右																														
EN part name	Headlights and foglights right																														
RU part name	Передняя противотуманная фара левая																														
Size:mm	280*150*130																														
Weight:kg	0.6																														
NO.	NO.116-2																														
Remarks: SHACMAN F2000		Remarks: SHACMAN F2000																													
	<p>KD2064</p> <table border="1"> <tr><td>Part No.</td><td>DZ93189932130E1</td></tr> <tr><td>CH part name</td><td>中位整体保险杠(铁)</td></tr> <tr><td>EN part name</td><td>Bumper</td></tr> <tr><td>RU part name</td><td>Бампер</td></tr> <tr><td>Size:mm</td><td>2450*500*280</td></tr> <tr><td>Weight:kg</td><td>18.3</td></tr> <tr><td>NO.</td><td>NO.117</td></tr> </table>	Part No.	DZ93189932130E1	CH part name	中位整体保险杠(铁)	EN part name	Bumper	RU part name	Бампер	Size:mm	2450*500*280	Weight:kg	18.3	NO.	NO.117		<p>KD2065</p> <table border="1"> <tr><td>Part No.</td><td>DZ93259932159</td></tr> <tr><td>CH part name</td><td>保险杠</td></tr> <tr><td>EN part name</td><td>Bumper</td></tr> <tr><td>RU part name</td><td>Бампер</td></tr> <tr><td>Size:mm</td><td>2450*250*280</td></tr> <tr><td>Weight:kg</td><td>11</td></tr> <tr><td>NO.</td><td>NO.117</td></tr> </table>	Part No.	DZ93259932159	CH part name	保险杠	EN part name	Bumper	RU part name	Бампер	Size:mm	2450*250*280	Weight:kg	11	NO.	NO.117
Part No.	DZ93189932130E1																														
CH part name	中位整体保险杠(铁)																														
EN part name	Bumper																														
RU part name	Бампер																														
Size:mm	2450*500*280																														
Weight:kg	18.3																														
NO.	NO.117																														
Part No.	DZ93259932159																														
CH part name	保险杠																														
EN part name	Bumper																														
RU part name	Бампер																														
Size:mm	2450*250*280																														
Weight:kg	11																														
NO.	NO.117																														
Remarks: SHACMAN F3000		Remarks:SHACMAN F2000 F3000 SZ962000704																													

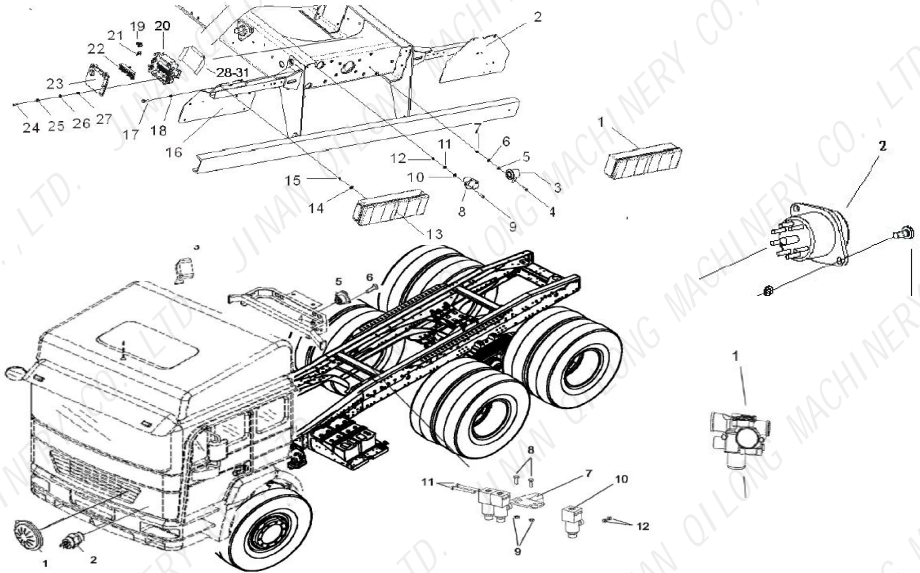




SHACMAN(1)

KD2066			KD2067		
	Part No.	DZ93189932010		Part No.	DZ93189932130
	CH part name	中位整体玻璃钢保险杠		CH part name	玻璃钢保险杠
	EN part name	Bumper		EN part name	Bumper
	RU part name	Бампер		RU part name	Бампер
	Size:mm	2450*500*280		Size:mm	2450*500*280
	Weight:kg	34		Weight:kg	34
	NO.	NO.117		NO.	NO.117
Remarks: SHACMAN F2000			Remarks: SHACMAN F3000		
KD2068			KD2069		
	Part No.	DZ93189932123		Part No.	DZ93189932124
	CH part name	前照灯支架(L)		CH part name	前照灯支架(R)
	EN part name	Headlamps left bracket		EN part name	Head lamp
	RU part name	слева от фар		RU part name	глава огня
	Size:mm			Size:mm	
	Weight:kg	0.75		Weight:kg	0.75
	NO.	NO.117-1		NO.	NO.117-8
Remarks: SHACMAN F3000			Remarks: SHACMAN F3000		
KD2070			KD2071		
	Part No.	DZ93189723011		Part No.	DZ93189723021
	CH part name	远、近光及前位灯总成 (L)		CH part name	远、近及前位灯总成 (R)
	EN part name	Far and near light lamp		EN part name	Far and near light lamp
	RU part name	ближнего и дальнего света		RU part name	ближнего и дальнего света
	Size:mm			Size:mm	
	Weight:kg	1.1		Weight:kg	1.1
	NO.	NO.117-2		NO.	NO.117-9
Remarks:SHACMAN F3000			Remarks:SHACMAN F3000		
KD2072			KD2073		
	Part No.	DZ93189723022		Part No.	DZ93189723012
	CH part name	辅助远光灯及转向灯总成 (R)		CH part name	辅助远光灯及转向灯总成 (L)
	EN part name	The auxiliary headlamp steering lamp		EN part name	The auxiliary headlamp steering lamp
	RU part name	вспомогательный рулевой огней дальнего света		RU part name	вспомогательный рулевой огней дальнего света
	Size:mm			Size:mm	
	Weight:kg	0.78		Weight:kg	0.78
	NO.	NO.117-3		NO.	NO.117-3
Remarks: SHACMAN F3000			Remarks: SHACMAN F3000		








SHACMAN(1)

HEADLAMPS WITH FLASHER/F3000		NO.117	
	KD2074		
		Part No.	DZ93189723013
		CH part name	前雾灯总成(L)
		EN part name	Front left fog light
		RU part name	Передняя противотуманная фара левая
		Size:mm	
		Weight:kg	0.43
	NO.	NO.117-4	
	Remarks: SHACMAN F3000		
	KD2075		
	Part No.	DZ93189723023	
	CH part name	前雾灯总成(R)	
	EN part name	Front left fog light	
	RU part name	Передняя противотуманная фара левая	
	Size:mm		
	Weight:kg	0.43	
NO.	NO.117-11		
Remarks: SHACMAN F3000			
KD2076			
	Part No.	DZ93189723014	
	CH part name	前照灯护罩 (L)	
	EN part name	Head lamp cover lamp (left)	
	RU part name	глава огня покрытия огня (слева)	
	Size:mm		
	Weight:kg	0.03	
NO.	NO.117-5		
Remarks: SHACMAN F3000			
KD2077			
	Part No.	DZ93189723024	
	CH part name	前照灯护罩 (R)	
	EN part name	Head lamp cover (right)	
	RU part name	глава огня покрытия (справа)	
	Size:mm		
	Weight:kg	0.03	
NO.	NO.117-12		
Remarks: SHACMAN F3000			
KD2078			
	Part No.	DZ93189723010	
	CH part name	前照灯左	
	EN part name	Left head lamp	
	RU part name	Фара передняя левая	
	Size:mm	620*500*450	
	Weight:kg	4.55	
NO.	NO.117		
Remarks: SHACMAN F3000 DZ95189724010 (右置车)			
KD2079			
	Part No.	DZ93189723020	
	CH part name	前照灯右	
	EN part name	Right head lamp	
	RU part name	Фара передняя левая	
	Size:mm	620*500*450	
	Weight:kg	4.55	
NO.	NO.117		
Remarks: SHACMAN F3000 DZ95189724020 (右置车)			

SHACMAN(1)

The car rear chassis electrical appliances		NO.118	
	KD2080		
			
	Part No.	81.52160.6115	
	CH part name	电磁阀	
	EN part name	Solenoid valve	
	RU part name	Клапан пневм.электромагн	
	Size:mm	140*80*60	
	Weight:kg	0.55	
	NO.	NO.118-10	
	Remarks: SHACMAN F2000 F3000		
KD2081			
			
Part No.	DZ9100716009		
CH part name	电磁阀		
EN part name	Solenoid valve		
RU part name	Клапан пневм.электромагн		
Size:mm	140*80*60		
Weight:kg	0.55		
NO.	NO.118-10		
Remarks: SHACMAN F2000 F3000			
KD2082			
	Part No.	179100710005	
	CH part name	气压开关	
	EN part name	Air prissure signal switch	
	RU part name	пневматический выключатель	
	Size:mm		
	Weight:kg	0.12	
	NO.	NO.118-2	
Remarks: SHACMAN F2000 F3000 新M3000			
KD2083			
	Part No.	DZ9100726610	
	CH part name	工作灯总成	
	EN part name	Working lamp assy	
	RU part name	рабочая лампа Ассамблеи	
	Size:mm		
	Weight:kg	0.65	
	NO.	NO.118-3	
Remarks: SHACMAN F2000 F3000			
KD2084			
	Part No.	81.25432.6121	
	CH part name	7孔24N型挂车插座(带电缆)	
	EN part name	7 hole trailer socket	
	RU part name	7 дыры прицеп сокет	
	Size:mm		
	Weight:kg	0.34	
	NO.	NO.118-6	
Remarks: SHACMAN F2000 F3000			
KD2085			
	Part No.	DZ9200810019	
	CH part name	左后尾灯(L)	
	EN part name	Rear right tail light	
	RU part name	Фонарь задний правый	
	Size:mm	520*150*150	
	Weight:kg	1.1	
	NO.	NO.118-13	
Remarks: SHACMAN F2000 F3000		81.25225.6465	

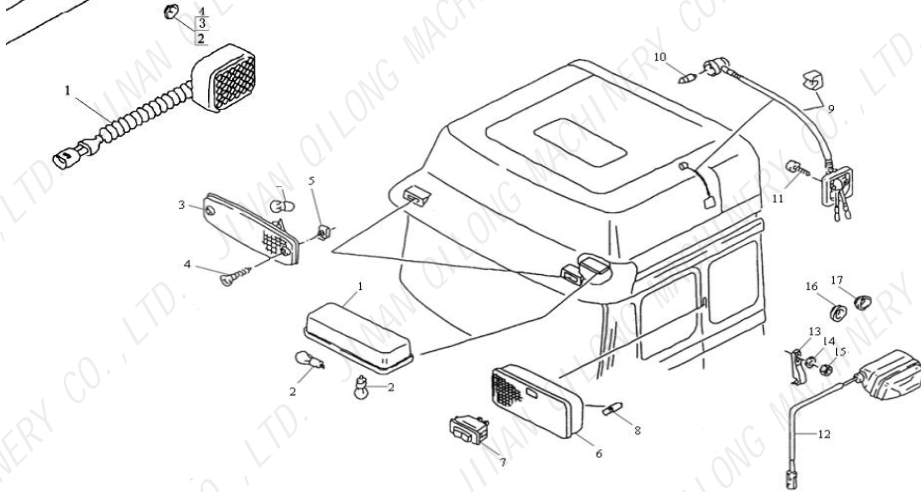






SHACMAN(1)

	<table border="1"> <tr><td>Part No.</td><td>DZ9200810020</td></tr> <tr><td>CH part name</td><td>后尾灯 (R)</td></tr> <tr><td>EN part name</td><td>Rear right tail light</td></tr> <tr><td>RU part name</td><td>Фональ задний правый</td></tr> <tr><td>Size:mm</td><td>520*150*150</td></tr> <tr><td>Weight:kg</td><td>1.1</td></tr> <tr><td>NO.</td><td>NO.118-1</td></tr> </table>	Part No.	DZ9200810020	CH part name	后尾灯 (R)	EN part name	Rear right tail light	RU part name	Фональ задний правый	Size:mm	520*150*150	Weight:kg	1.1	NO.	NO.118-1		<table border="1"> <tr><td>Part No.</td><td>DZ9100940210</td></tr> <tr><td>CH part name</td><td>MAN 底盘左尾灯支架总成</td></tr> <tr><td>EN part name</td><td>Left racket assy</td></tr> <tr><td>RU part name</td><td>оставил ракетки астрид</td></tr> <tr><td>Size:mm</td><td></td></tr> <tr><td>Weight:kg</td><td>1.35</td></tr> <tr><td>NO.</td><td>NO.118-16</td></tr> </table>	Part No.	DZ9100940210	CH part name	MAN 底盘左尾灯支架总成	EN part name	Left racket assy	RU part name	оставил ракетки астрид	Size:mm		Weight:kg	1.35	NO.	NO.118-16
Part No.	DZ9200810020																														
CH part name	后尾灯 (R)																														
EN part name	Rear right tail light																														
RU part name	Фональ задний правый																														
Size:mm	520*150*150																														
Weight:kg	1.1																														
NO.	NO.118-1																														
Part No.	DZ9100940210																														
CH part name	MAN 底盘左尾灯支架总成																														
EN part name	Left racket assy																														
RU part name	оставил ракетки астрид																														
Size:mm																															
Weight:kg	1.35																														
NO.	NO.118-16																														
Remarks: SHACMAN F2000 F3000 81.25225.6464		Remarks: SHACMAN F2000 F3000																													
	<table border="1"> <tr><td>Part No.</td><td>DZ9100580050</td></tr> <tr><td>CH part name</td><td>倒车蜂鸣器</td></tr> <tr><td>EN part name</td><td>Reverse buzzer</td></tr> <tr><td>RU part name</td><td>обратный звонок</td></tr> <tr><td>Size:mm</td><td></td></tr> <tr><td>Weight:kg</td><td>0.02</td></tr> <tr><td>NO.</td><td>NO.118-3</td></tr> </table>	Part No.	DZ9100580050	CH part name	倒车蜂鸣器	EN part name	Reverse buzzer	RU part name	обратный звонок	Size:mm		Weight:kg	0.02	NO.	NO.118-3		<table border="1"> <tr><td>Part No.</td><td>DZ9100940220</td></tr> <tr><td>CH part name</td><td>MAN 底盘右尾灯支架总成</td></tr> <tr><td>EN part name</td><td>Right Racket assy</td></tr> <tr><td>RU part name</td><td>право ракетку, астрид</td></tr> <tr><td>Size:mm</td><td></td></tr> <tr><td>Weight:kg</td><td>1.35</td></tr> <tr><td>NO.</td><td>NO.118-2</td></tr> </table>	Part No.	DZ9100940220	CH part name	MAN 底盘右尾灯支架总成	EN part name	Right Racket assy	RU part name	право ракетку, астрид	Size:mm		Weight:kg	1.35	NO.	NO.118-2
Part No.	DZ9100580050																														
CH part name	倒车蜂鸣器																														
EN part name	Reverse buzzer																														
RU part name	обратный звонок																														
Size:mm																															
Weight:kg	0.02																														
NO.	NO.118-3																														
Part No.	DZ9100940220																														
CH part name	MAN 底盘右尾灯支架总成																														
EN part name	Right Racket assy																														
RU part name	право ракетку, астрид																														
Size:mm																															
Weight:kg	1.35																														
NO.	NO.118-2																														
Remarks: SHACMAN F2000 F3000		Remarks: SHACMAN F2000 F3000																													
	<table border="1"> <tr><td>Part No.</td><td>DZ91189777021</td></tr> <tr><td>CH part name</td><td>分线盒体</td></tr> <tr><td>EN part name</td><td>Junction box body</td></tr> <tr><td>RU part name</td><td>распределительной коробкой тело</td></tr> <tr><td>Size:mm</td><td></td></tr> <tr><td>Weight:kg</td><td>0.03</td></tr> <tr><td>NO.</td><td>NO.118-19</td></tr> </table>	Part No.	DZ91189777021	CH part name	分线盒体	EN part name	Junction box body	RU part name	распределительной коробкой тело	Size:mm		Weight:kg	0.03	NO.	NO.118-19		<table border="1"> <tr><td>Part No.</td><td>179100770395</td></tr> <tr><td>CH part name</td><td>电线护套</td></tr> <tr><td>EN part name</td><td>Wiring jacket</td></tr> <tr><td>RU part name</td><td>электропроводка пиджак</td></tr> <tr><td>Size:mm</td><td></td></tr> <tr><td>Weight:kg</td><td>0.01</td></tr> <tr><td>NO.</td><td>NO.118-20</td></tr> </table>	Part No.	179100770395	CH part name	电线护套	EN part name	Wiring jacket	RU part name	электропроводка пиджак	Size:mm		Weight:kg	0.01	NO.	NO.118-20
Part No.	DZ91189777021																														
CH part name	分线盒体																														
EN part name	Junction box body																														
RU part name	распределительной коробкой тело																														
Size:mm																															
Weight:kg	0.03																														
NO.	NO.118-19																														
Part No.	179100770395																														
CH part name	电线护套																														
EN part name	Wiring jacket																														
RU part name	электропроводка пиджак																														
Size:mm																															
Weight:kg	0.01																														
NO.	NO.118-20																														
Remarks: SHACMAN F2000 F3000		Remarks: SHACMAN F2000 F3000																													
	<table border="1"> <tr><td>Part No.</td><td>179100770391</td></tr> <tr><td>CH part name</td><td>配电箱</td></tr> <tr><td>EN part name</td><td>Electric box</td></tr> <tr><td>RU part name</td><td>электрическое поле</td></tr> <tr><td>Size:mm</td><td></td></tr> <tr><td>Weight:kg</td><td>0.23</td></tr> <tr><td>NO.</td><td>NO.118-22</td></tr> </table>	Part No.	179100770391	CH part name	配电箱	EN part name	Electric box	RU part name	электрическое поле	Size:mm		Weight:kg	0.23	NO.	NO.118-22		<table border="1"> <tr><td>Part No.</td><td>179100770394</td></tr> <tr><td>CH part name</td><td>分线盒盖</td></tr> <tr><td>EN part name</td><td>Junction box cover</td></tr> <tr><td>RU part name</td><td>ответвительный коробка</td></tr> <tr><td>Size:mm</td><td></td></tr> <tr><td>Weight:kg</td><td>0.03</td></tr> <tr><td>NO.</td><td>NO.118-23</td></tr> </table>	Part No.	179100770394	CH part name	分线盒盖	EN part name	Junction box cover	RU part name	ответвительный коробка	Size:mm		Weight:kg	0.03	NO.	NO.118-23
Part No.	179100770391																														
CH part name	配电箱																														
EN part name	Electric box																														
RU part name	электрическое поле																														
Size:mm																															
Weight:kg	0.23																														
NO.	NO.118-22																														
Part No.	179100770394																														
CH part name	分线盒盖																														
EN part name	Junction box cover																														
RU part name	ответвительный коробка																														
Size:mm																															
Weight:kg	0.03																														
NO.	NO.118-23																														
Remarks: SHACMAN F2000 F3000		Remarks: SHACMAN F2000 F3000																													





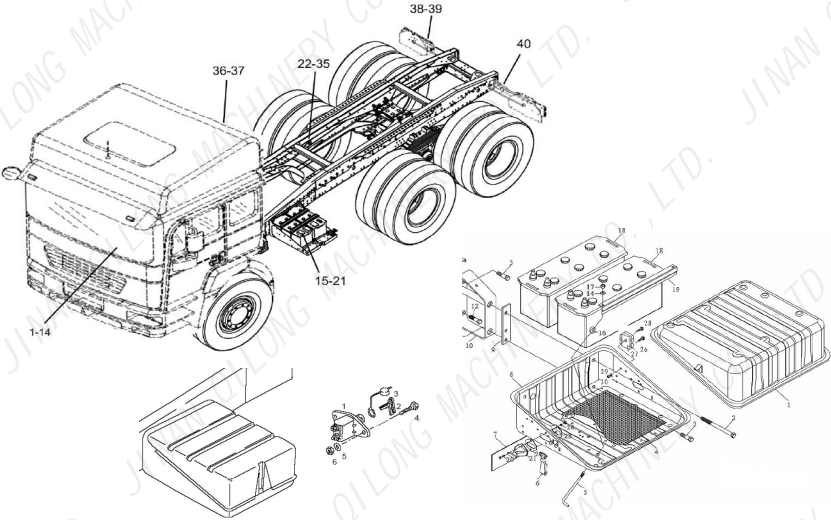


SHACMAN(1)

	<table border="1"> <tr><td>Part No.</td><td>DZ9100710013</td></tr> <tr><td>CH part name</td><td>ABS挂车插头固定座</td></tr> <tr><td>EN part name</td><td>ABS trailer pin seat</td></tr> <tr><td>RU part name</td><td>абс, прицеп - место</td></tr> <tr><td>Size:mm</td><td></td></tr> <tr><td>Weight:kg</td><td>0.12</td></tr> <tr><td>NO.</td><td>NO.118-2</td></tr> </table>	Part No.	DZ9100710013	CH part name	ABS挂车插头固定座	EN part name	ABS trailer pin seat	RU part name	абс, прицеп - место	Size:mm		Weight:kg	0.12	NO.	NO.118-2		<table border="1"> <tr><td>Part No.</td><td>DZ9100580213</td></tr> <tr><td>CH part name</td><td>电磁阀ABS</td></tr> <tr><td>EN part name</td><td>Solenoid valve</td></tr> <tr><td>RU part name</td><td>Клапан пневм.электромагн</td></tr> <tr><td>Size:mm</td><td>150*140*140</td></tr> <tr><td>Weight:kg</td><td>0.42</td></tr> <tr><td>NO.</td><td>NO.118-1</td></tr> </table>	Part No.	DZ9100580213	CH part name	电磁阀ABS	EN part name	Solenoid valve	RU part name	Клапан пневм.электромагн	Size:mm	150*140*140	Weight:kg	0.42	NO.	NO.118-1
Part No.	DZ9100710013																														
CH part name	ABS挂车插头固定座																														
EN part name	ABS trailer pin seat																														
RU part name	абс, прицеп - место																														
Size:mm																															
Weight:kg	0.12																														
NO.	NO.118-2																														
Part No.	DZ9100580213																														
CH part name	电磁阀ABS																														
EN part name	Solenoid valve																														
RU part name	Клапан пневм.электромагн																														
Size:mm	150*140*140																														
Weight:kg	0.42																														
NO.	NO.118-1																														
Remarks: SHACMAN F2000 F3000		Remarks: SHACMAN F2000 F3000 DZ9100580315																													
	<table border="1"> <tr><td>Part No.</td><td>DZ95189772113</td></tr> <tr><td>CH part name</td><td>左车门线束(电动玻璃升降器)</td></tr> <tr><td>EN part name</td><td>Left door wire</td></tr> <tr><td>RU part name</td><td>оставил дверь проволоки</td></tr> <tr><td>Size:mm</td><td></td></tr> <tr><td>Weight:kg</td><td>0.25</td></tr> <tr><td>NO.</td><td>NO.119-12</td></tr> </table>	Part No.	DZ95189772113	CH part name	左车门线束(电动玻璃升降器)	EN part name	Left door wire	RU part name	оставил дверь проволоки	Size:mm		Weight:kg	0.25	NO.	NO.119-12		<table border="1"> <tr><td>Part No.</td><td>DZ9100580217</td></tr> <tr><td>CH part name</td><td>ASR 电磁阀</td></tr> <tr><td>EN part name</td><td>Solenoid valve</td></tr> <tr><td>RU part name</td><td>Клапан пневм.электромагн</td></tr> <tr><td>Size:mm</td><td>140*80*60</td></tr> <tr><td>Weight:kg</td><td>0.55</td></tr> <tr><td>NO.</td><td>NO.118-1</td></tr> </table>	Part No.	DZ9100580217	CH part name	ASR 电磁阀	EN part name	Solenoid valve	RU part name	Клапан пневм.электромагн	Size:mm	140*80*60	Weight:kg	0.55	NO.	NO.118-1
Part No.	DZ95189772113																														
CH part name	左车门线束(电动玻璃升降器)																														
EN part name	Left door wire																														
RU part name	оставил дверь проволоки																														
Size:mm																															
Weight:kg	0.25																														
NO.	NO.119-12																														
Part No.	DZ9100580217																														
CH part name	ASR 电磁阀																														
EN part name	Solenoid valve																														
RU part name	Клапан пневм.электромагн																														
Size:mm	140*80*60																														
Weight:kg	0.55																														
NO.	NO.118-1																														
Remarks: SHACMAN F2000 F3000 81.25416.6776 81.25426.6118		Remarks: SHACMAN F2000 F3000																													
	<table border="1"> <tr><td>Part No.</td><td>DZ95189772112</td></tr> <tr><td>CH part name</td><td>右车门线束(电动玻璃升降器)</td></tr> <tr><td>EN part name</td><td>Right door wire</td></tr> <tr><td>RU part name</td><td>дверь проволоки</td></tr> <tr><td>Size:mm</td><td></td></tr> <tr><td>Weight:kg</td><td>0.25</td></tr> <tr><td>NO.</td><td>NO.119-12</td></tr> </table>	Part No.	DZ95189772112	CH part name	右车门线束(电动玻璃升降器)	EN part name	Right door wire	RU part name	дверь проволоки	Size:mm		Weight:kg	0.25	NO.	NO.119-12		<table border="1"> <tr><td>Part No.</td><td>81.25260.6101</td></tr> <tr><td>CH part name</td><td>侧标志灯带线</td></tr> <tr><td>EN part name</td><td>Side marker lamp</td></tr> <tr><td>RU part name</td><td>боковой габаритный фонарь</td></tr> <tr><td>Size:mm</td><td></td></tr> <tr><td>Weight:kg</td><td>0.4</td></tr> <tr><td>NO.</td><td>NO.119-1</td></tr> </table>	Part No.	81.25260.6101	CH part name	侧标志灯带线	EN part name	Side marker lamp	RU part name	боковой габаритный фонарь	Size:mm		Weight:kg	0.4	NO.	NO.119-1
Part No.	DZ95189772112																														
CH part name	右车门线束(电动玻璃升降器)																														
EN part name	Right door wire																														
RU part name	дверь проволоки																														
Size:mm																															
Weight:kg	0.25																														
NO.	NO.119-12																														
Part No.	81.25260.6101																														
CH part name	侧标志灯带线																														
EN part name	Side marker lamp																														
RU part name	боковой габаритный фонарь																														
Size:mm																															
Weight:kg	0.4																														
NO.	NO.119-1																														
Remarks: SHACMAN F2000 F3000		Remarks: SHACMAN F2000 F3000																													
	<table border="1"> <tr><td>Part No.</td><td>DZ93189723210</td></tr> <tr><td>CH part name</td><td>侧示高灯</td></tr> <tr><td>EN part name</td><td>Fore-outline light</td></tr> <tr><td>RU part name</td><td>передний план легких</td></tr> <tr><td>Size:mm</td><td></td></tr> <tr><td>Weight:kg</td><td>0.25</td></tr> <tr><td>NO.</td><td>NO.119-3</td></tr> </table>	Part No.	DZ93189723210	CH part name	侧示高灯	EN part name	Fore-outline light	RU part name	передний план легких	Size:mm		Weight:kg	0.25	NO.	NO.119-3		<table border="1"> <tr><td>Part No.</td><td>DZ93189721305</td></tr> <tr><td>CH part name</td><td>驾驶室内照明灯(带阅读灯)</td></tr> <tr><td>EN part name</td><td>Cab interior light</td></tr> <tr><td>RU part name</td><td>Кабина внутреннего освещения</td></tr> <tr><td>Size:mm</td><td>250*100*90</td></tr> <tr><td>Weight:kg</td><td>0.45</td></tr> <tr><td>NO.</td><td>NO.119-1</td></tr> </table>	Part No.	DZ93189721305	CH part name	驾驶室内照明灯(带阅读灯)	EN part name	Cab interior light	RU part name	Кабина внутреннего освещения	Size:mm	250*100*90	Weight:kg	0.45	NO.	NO.119-1
Part No.	DZ93189723210																														
CH part name	侧示高灯																														
EN part name	Fore-outline light																														
RU part name	передний план легких																														
Size:mm																															
Weight:kg	0.25																														
NO.	NO.119-3																														
Part No.	DZ93189721305																														
CH part name	驾驶室内照明灯(带阅读灯)																														
EN part name	Cab interior light																														
RU part name	Кабина внутреннего освещения																														
Size:mm	250*100*90																														
Weight:kg	0.45																														
NO.	NO.119-1																														
Remarks: SHACMAN F2000 F3000		Remarks: SHACMAN F2000 F3000																													

SHACMAN(1)

FLOODLIGHT (HIGH ROOF)		NO.119		
	KD2102			
			Part No.	81.25201.6188
			CH part name	驾驶室内部照明灯
			EN part name	Cab interior light
			RU part name	Кабина внутреннего освещения
			Size:mm	250*100*90
			Weight:kg	0.3
			NO.	NO.119-1
	Remarks: SHACMAN F2000			
	KD2103			
		Part No.	81.25901.0074	
		CH part name	灯泡	
		EN part name	Bulb	
		RU part name	колба	
		Size:mm	R10W-24V-HD.	
		Weight:kg	0.01	
		NO.	NO.119-2	
Remarks: SHACMAN F2000 F3000			81.25901.7065 R10W-24V-BA15S	
KD2104				
	Part No.	81.25201.6207		
	CH part name	驾驶室后围照明灯		
	EN part name	Cab interior light		
	RU part name	Кабина внутреннего освещения		
	Size:mm			
	Weight:kg	0.25		
	NO.	NO.119-6		
Remarks: SHACMAN F2000 DZ93189721303				
KD2105				
	Part No.	81.25260.6040		
	CH part name	示高灯		
	EN part name	High position lamp		
	RU part name	показано высокая лампа		
	Size:mm			
	Weight:kg	0.15		
	NO.	NO.119-3		
Remarks: SHACMAN F2000				
KD2106				
	Part No.	DZ93189721306		
	CH part name	驾驶室后围照明灯 (LED)		
	EN part name	Cab interior light		
	RU part name	Кабина внутреннего освещения		
	Size:mm			
	Weight:kg	0.25		
	NO.	NO.119-6		
Remarks: SHACMAN F2000 F3000				
KD2107				
	Part No.	199100760008		
	CH part name	蓄电池箱盖总成		
	EN part name	Cover		
	RU part name	покрытия		
	Size:mm			
	Weight:kg	2.7		
	NO.	NO.120-1		
Remarks: SHACMAN F2000				



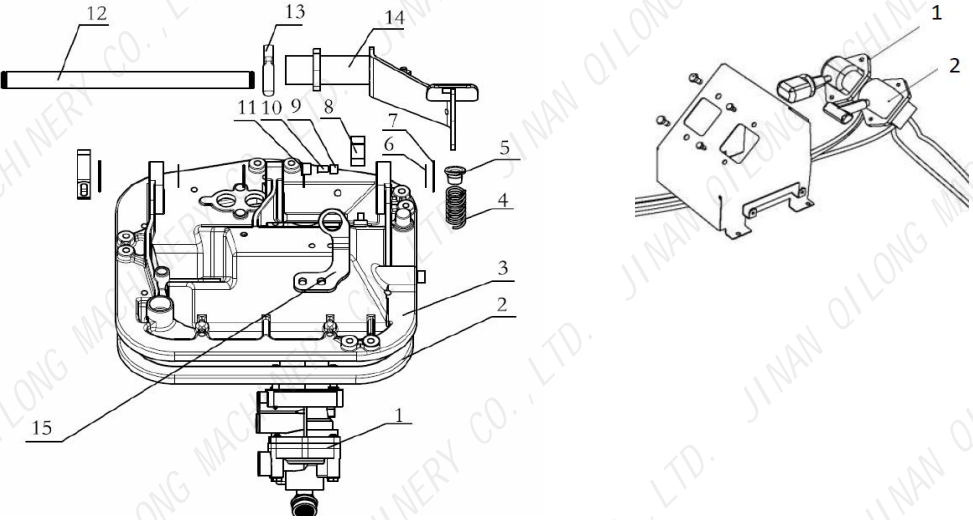


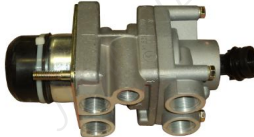

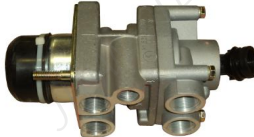
SHACMAN(1)

	<p>KD2108</p> <table border="1"> <tr><td>Part No.</td><td>199100760064</td></tr> <tr><td>CH part name</td><td>135安-时标准蓄电池</td></tr> <tr><td>EN part name</td><td>Standard battery</td></tr> <tr><td>RU part name</td><td>аккумулятор</td></tr> <tr><td>Size:mm</td><td>512*189*225</td></tr> <tr><td>Weight:kg</td><td>42</td></tr> <tr><td>NO.</td><td>NO.120-18</td></tr> </table>	Part No.	199100760064	CH part name	135安-时标准蓄电池	EN part name	Standard battery	RU part name	аккумулятор	Size:mm	512*189*225	Weight:kg	42	NO.	NO.120-18		<p>KD2109</p> <table border="1"> <tr><td>Part No.</td><td>199100760227</td></tr> <tr><td>CH part name</td><td>加强的蓄电池箱体总成</td></tr> <tr><td>EN part name</td><td>Battery box</td></tr> <tr><td>RU part name</td><td>аккумулятора</td></tr> <tr><td>Size:mm</td><td></td></tr> <tr><td>Weight:kg</td><td>4.5</td></tr> <tr><td>NO.</td><td>NO.120-4</td></tr> </table>	Part No.	199100760227	CH part name	加强的蓄电池箱体总成	EN part name	Battery box	RU part name	аккумулятора	Size:mm		Weight:kg	4.5	NO.	NO.120-4
Part No.	199100760064																														
CH part name	135安-时标准蓄电池																														
EN part name	Standard battery																														
RU part name	аккумулятор																														
Size:mm	512*189*225																														
Weight:kg	42																														
NO.	NO.120-18																														
Part No.	199100760227																														
CH part name	加强的蓄电池箱体总成																														
EN part name	Battery box																														
RU part name	аккумулятора																														
Size:mm																															
Weight:kg	4.5																														
NO.	NO.120-4																														
Remarks: SHACMAN F2000 F3000 DZ9100760080 180 安-时标准蓄电池		Remarks: SHACMAN F2000																													
	<p>KD2110</p> <table border="1"> <tr><td>Part No.</td><td>81.25506.6033</td></tr> <tr><td>CH part name</td><td>电源总开关</td></tr> <tr><td>EN part name</td><td>Model battery main switch</td></tr> <tr><td>RU part name</td><td>Выключатель массы</td></tr> <tr><td>Size:mm</td><td>147*93*88</td></tr> <tr><td>Weight:kg</td><td>0.187</td></tr> <tr><td>NO.</td><td>NO.120-1</td></tr> </table>	Part No.	81.25506.6033	CH part name	电源总开关	EN part name	Model battery main switch	RU part name	Выключатель массы	Size:mm	147*93*88	Weight:kg	0.187	NO.	NO.120-1		<p>KD2111</p> <table border="1"> <tr><td>Part No.</td><td>81.41860.0058</td></tr> <tr><td>CH part name</td><td>蓄电池箱盖</td></tr> <tr><td>EN part name</td><td>Cover</td></tr> <tr><td>RU part name</td><td>покрытия</td></tr> <tr><td>Size:mm</td><td></td></tr> <tr><td>Weight:kg</td><td>1.2</td></tr> <tr><td>NO.</td><td>NO.120-1</td></tr> </table>	Part No.	81.41860.0058	CH part name	蓄电池箱盖	EN part name	Cover	RU part name	покрытия	Size:mm		Weight:kg	1.2	NO.	NO.120-1
Part No.	81.25506.6033																														
CH part name	电源总开关																														
EN part name	Model battery main switch																														
RU part name	Выключатель массы																														
Size:mm	147*93*88																														
Weight:kg	0.187																														
NO.	NO.120-1																														
Part No.	81.41860.0058																														
CH part name	蓄电池箱盖																														
EN part name	Cover																														
RU part name	покрытия																														
Size:mm																															
Weight:kg	1.2																														
NO.	NO.120-1																														
Remarks: SHACMAN F3000 DZ95189763010		Remarks: SHACMAN F3000																													
<p>WIRING BATTERY BOX/MAIN BATTERY SWITCH NO.120</p>		<p>KD2112</p>																													
			<table border="1"> <tr><td>Part No.</td><td>DZ9100776234</td></tr> <tr><td>CH part name</td><td>24V 收放机连接线</td></tr> <tr><td>EN part name</td><td>24 v cassette player connecting line</td></tr> <tr><td>RU part name</td><td>ShouFangJi ми24в сл</td></tr> <tr><td>Size:mm</td><td></td></tr> <tr><td>Weight:kg</td><td>0.01</td></tr> <tr><td>NO.</td><td>NO.120-3</td></tr> </table>	Part No.	DZ9100776234	CH part name	24V 收放机连接线	EN part name	24 v cassette player connecting line	RU part name	ShouFangJi ми24в сл	Size:mm		Weight:kg	0.01	NO.	NO.120-3														
Part No.	DZ9100776234																														
CH part name	24V 收放机连接线																														
EN part name	24 v cassette player connecting line																														
RU part name	ShouFangJi ми24в сл																														
Size:mm																															
Weight:kg	0.01																														
NO.	NO.120-3																														
Remarks: SHACMAN F2000 F3000		Remarks: SHACMAN F2000 F3000																													
		<p>KD2113</p>	<table border="1"> <tr><td>Part No.</td><td>DZ9100776200</td></tr> <tr><td>CH part name</td><td>加宽加长型驾驶室电线束总成</td></tr> <tr><td>EN part name</td><td>The cab electrical wiring harness assembly</td></tr> <tr><td>RU part name</td><td>Кабина пучок проводов в сборе</td></tr> <tr><td>Size:mm</td><td></td></tr> <tr><td>Weight:kg</td><td>0.04</td></tr> <tr><td>NO.</td><td>NO.120-6</td></tr> </table>	Part No.	DZ9100776200	CH part name	加宽加长型驾驶室电线束总成	EN part name	The cab electrical wiring harness assembly	RU part name	Кабина пучок проводов в сборе	Size:mm		Weight:kg	0.04	NO.	NO.120-6														
Part No.	DZ9100776200																														
CH part name	加宽加长型驾驶室电线束总成																														
EN part name	The cab electrical wiring harness assembly																														
RU part name	Кабина пучок проводов в сборе																														
Size:mm																															
Weight:kg	0.04																														
NO.	NO.120-6																														
Remarks: SHACMAN F2000		Remarks: SHACMAN F2000																													

SHACMAN(1)

	<p>Part No. DZ9100776242</p> <p>CH part name 翻斗回位底盘电线束</p> <p>EN part name Skip the chassis electrical wiring harness</p> <p>RU part name Скипового чез пучок проводов</p> <p>Size:mm</p> <p>Weight:kg 0.3</p> <p>NO. NO.120-30</p>		<p>Part No. DZ9100776640</p> <p>CH part name 轮间和轴间差速锁电线束</p> <p>EN part name Differential lock wire bundles</p> <p>RU part name Замок дифференциалом пучок проводов</p> <p>Size:mm L = 80</p> <p>Weight:kg 0.2</p> <p>NO. NO.120-31</p>
Remarks: SHACMAN F2000 F3000 自卸车		Remarks: SHACMAN F2000 F3000 6*4、8*4	
	<p>Part No. DZ9100776641</p> <p>CH part name 轮间和轴间差速锁电线束</p> <p>EN part name Differential lock wire bundles</p> <p>RU part name Замок дифференциалом пучок проводов</p> <p>Size:mm L = 220</p> <p>Weight:kg 0.2</p> <p>NO. NO.120-35</p>		<p>Part No. DZ9100776642</p> <p>CH part name 轮间和轴间差速锁电线束</p> <p>EN part name Differential lock wire bundles</p> <p>RU part name Замок дифференциалом пучок проводов</p> <p>Size:mm L = 140</p> <p>Weight:kg 0.2</p> <p>NO. NO.120-35</p>
Remarks: SHACMAN F2000 F3000 6*4、8*4		Remarks: SHACMAN F2000 F3000 6*4、8*4	
	<p>Part No. DZ9100776643</p> <p>CH part name 轮间和轴间差速锁电线束</p> <p>EN part name Differential lock wire bundles</p> <p>RU part name Замок дифференциалом пучок проводов</p> <p>Size:mm L = 160</p> <p>Weight:kg 0.2</p> <p>NO. NO.120-35</p>		<p>Part No. DZ9100776650</p> <p>CH part name 轮间差速锁电线束</p> <p>EN part name Differential lock wire bundles</p> <p>RU part name Замок дифференциалом пучок проводов</p> <p>Size:mm</p> <p>Weight:kg 0.2</p> <p>NO. NO.120-35</p>
Remarks: SHACMAN F2000 F3000 6*4、8*4		Remarks: SHACMAN F2000 F3000 6*2	
	<p>Part No. DZ93189774711</p> <p>CH part name ISM发动机变速器线束</p> <p>EN part name Motor and gear wiring</p> <p>RU part name мотор и передача, электропроводка</p> <p>Size:mm</p> <p>Weight:kg 2.1</p> <p>NO. NO.120</p>		<p>Part No. DZ93189774714</p> <p>CH part name ISM发动机变速器线束</p> <p>EN part name Motor and gear wiring</p> <p>RU part name мотор и передача, электропроводка</p> <p>Size:mm</p> <p>Weight:kg 2.1</p> <p>NO. NO.120</p>
Remarks: SHACMAN F2000 F3000 4*2/6X4牵引车, MAN蓄电池箱		Remarks: SHACMAN F2000 F3000 4X2-6X4牵引车	









SHACMAN(1)

	<table border="1"> <tr><td>Part No.</td><td>DZ95259774341</td></tr> <tr><td>CH part name</td><td>6×4牵引车底盘线束</td></tr> <tr><td>EN part name</td><td>Motor and gear wiring</td></tr> <tr><td>RU part name</td><td>мотор и передача, электропроводка</td></tr> <tr><td>Size:mm</td><td></td></tr> <tr><td>Weight:kg</td><td>2.1</td></tr> <tr><td>NO.</td><td>NO.120</td></tr> </table>	Part No.	DZ95259774341	CH part name	6×4牵引车底盘线束	EN part name	Motor and gear wiring	RU part name	мотор и передача, электропроводка	Size:mm		Weight:kg	2.1	NO.	NO.120		<table border="1"> <tr><td>Part No.</td><td>DZ93189774741</td></tr> <tr><td>CH part name</td><td>ISM发动机变速器线束</td></tr> <tr><td>EN part name</td><td>Motor and gear wiring</td></tr> <tr><td>RU part name</td><td>мотор и передача, электропроводка</td></tr> <tr><td>Size:mm</td><td></td></tr> <tr><td>Weight:kg</td><td>2.1</td></tr> <tr><td>NO.</td><td>NO.120</td></tr> </table>	Part No.	DZ93189774741	CH part name	ISM发动机变速器线束	EN part name	Motor and gear wiring	RU part name	мотор и передача, электропроводка	Size:mm		Weight:kg	2.1	NO.	NO.120
Part No.	DZ95259774341																														
CH part name	6×4牵引车底盘线束																														
EN part name	Motor and gear wiring																														
RU part name	мотор и передача, электропроводка																														
Size:mm																															
Weight:kg	2.1																														
NO.	NO.120																														
Part No.	DZ93189774741																														
CH part name	ISM发动机变速器线束																														
EN part name	Motor and gear wiring																														
RU part name	мотор и передача, электропроводка																														
Size:mm																															
Weight:kg	2.1																														
NO.	NO.120																														
Remarks: SHACMAN F2000 F3000 直纵梁、EGR		Remarks: SHACMAN F2000 F3000 CM876, 牵引车, MAN蓄电池箱																													
Driving/parking facilities. NO.120A																															
			<table border="1"> <tr><td>Part No.</td><td>DZ9100360080</td></tr> <tr><td>CH part name</td><td>气制动阀</td></tr> <tr><td>EN part name</td><td>Brake valve</td></tr> <tr><td>RU part name</td><td>Кран машиниста</td></tr> <tr><td>Size:mm</td><td>220.5*90.7*110.6</td></tr> <tr><td>Weight:kg</td><td>1.56</td></tr> <tr><td>NO.</td><td>NO.120A-1</td></tr> </table>	Part No.	DZ9100360080	CH part name	气制动阀	EN part name	Brake valve	RU part name	Кран машиниста	Size:mm	220.5*90.7*110.6	Weight:kg	1.56	NO.	NO.120A-1														
Part No.	DZ9100360080																														
CH part name	气制动阀																														
EN part name	Brake valve																														
RU part name	Кран машиниста																														
Size:mm	220.5*90.7*110.6																														
Weight:kg	1.56																														
NO.	NO.120A-1																														
Remarks: SHACMAN F2000 F3000 X3000																															
			<table border="1"> <tr><td>Part No.</td><td>DZ93189360034</td></tr> <tr><td>CH part name</td><td>气制动阀</td></tr> <tr><td>EN part name</td><td>Brake valve</td></tr> <tr><td>RU part name</td><td>Кран машиниста</td></tr> <tr><td>Size:mm</td><td></td></tr> <tr><td>Weight:kg</td><td>1.45</td></tr> <tr><td>NO.</td><td>NO.120A-1</td></tr> </table>	Part No.	DZ93189360034	CH part name	气制动阀	EN part name	Brake valve	RU part name	Кран машиниста	Size:mm		Weight:kg	1.45	NO.	NO.120A-1														
Part No.	DZ93189360034																														
CH part name	气制动阀																														
EN part name	Brake valve																														
RU part name	Кран машиниста																														
Size:mm																															
Weight:kg	1.45																														
NO.	NO.120A-1																														
Remarks: SHACMAN X3000 新M3000		Remarks: SHACMAN F2000 F3000 81.52130.6148																													
	<table border="1"> <tr><td>Part No.</td><td>DZ96189360079</td></tr> <tr><td>CH part name</td><td>制动阀总成</td></tr> <tr><td>EN part name</td><td>Brake valve</td></tr> <tr><td>RU part name</td><td>Кран машиниста</td></tr> <tr><td>Size:mm</td><td></td></tr> <tr><td>Weight:kg</td><td>1.45</td></tr> <tr><td>NO.</td><td>NO.120A-1</td></tr> </table>	Part No.	DZ96189360079	CH part name	制动阀总成	EN part name	Brake valve	RU part name	Кран машиниста	Size:mm		Weight:kg	1.45	NO.	NO.120A-1		<table border="1"> <tr><td>Part No.</td><td>81.52130.6239</td></tr> <tr><td>CH part name</td><td>制动阀总成</td></tr> <tr><td>EN part name</td><td>Brake valve</td></tr> <tr><td>RU part name</td><td>Кран машиниста</td></tr> <tr><td>Size:mm</td><td></td></tr> <tr><td>Weight:kg</td><td>1.56</td></tr> <tr><td>NO.</td><td>NO.120A-1</td></tr> </table>	Part No.	81.52130.6239	CH part name	制动阀总成	EN part name	Brake valve	RU part name	Кран машиниста	Size:mm		Weight:kg	1.56	NO.	NO.120A-1
Part No.	DZ96189360079																														
CH part name	制动阀总成																														
EN part name	Brake valve																														
RU part name	Кран машиниста																														
Size:mm																															
Weight:kg	1.45																														
NO.	NO.120A-1																														
Part No.	81.52130.6239																														
CH part name	制动阀总成																														
EN part name	Brake valve																														
RU part name	Кран машиниста																														
Size:mm																															
Weight:kg	1.56																														
NO.	NO.120A-1																														
Remarks: SHACMAN 新M3000 MZ15229090020		Remarks: SHACMAN F2000 F3000 81.52130.6148																													

SHACMAN(1)

	<p>KD2128</p> <table border="1"> <tr><td>Part No.</td><td>81.52315.6156</td></tr> <tr><td>CH part name</td><td>手制动阀</td></tr> <tr><td>EN part name</td><td>Hand brake valve</td></tr> <tr><td>RU part name</td><td>Руки кран машиниста</td></tr> <tr><td>Size:mm</td><td></td></tr> <tr><td>Weight:kg</td><td>0.72</td></tr> <tr><td>NO.</td><td>NO.120A-1</td></tr> </table>	Part No.	81.52315.6156	CH part name	手制动阀	EN part name	Hand brake valve	RU part name	Руки кран машиниста	Size:mm		Weight:kg	0.72	NO.	NO.120A-1		<p>KD2129</p> <table border="1"> <tr><td>Part No.</td><td>DZ93189360061</td></tr> <tr><td>CH part name</td><td>手制动阀</td></tr> <tr><td>EN part name</td><td>Hand brake valve</td></tr> <tr><td>RU part name</td><td>Руки кран машиниста</td></tr> <tr><td>Size:mm</td><td></td></tr> <tr><td>Weight:kg</td><td>0.72</td></tr> <tr><td>NO.</td><td>NO.120A-1</td></tr> </table>	Part No.	DZ93189360061	CH part name	手制动阀	EN part name	Hand brake valve	RU part name	Руки кран машиниста	Size:mm		Weight:kg	0.72	NO.	NO.120A-1
Part No.	81.52315.6156																														
CH part name	手制动阀																														
EN part name	Hand brake valve																														
RU part name	Руки кран машиниста																														
Size:mm																															
Weight:kg	0.72																														
NO.	NO.120A-1																														
Part No.	DZ93189360061																														
CH part name	手制动阀																														
EN part name	Hand brake valve																														
RU part name	Руки кран машиниста																														
Size:mm																															
Weight:kg	0.72																														
NO.	NO.120A-1																														
Remarks: SHACMAN F2000		Remarks: SHACMAN F3000 X3000																													
	<p>KD2130</p> <table border="1"> <tr><td>Part No.</td><td>DZ93189360061A</td></tr> <tr><td>CH part name</td><td>手制动阀</td></tr> <tr><td>EN part name</td><td>Hand brake valve</td></tr> <tr><td>RU part name</td><td>Руки кран машиниста</td></tr> <tr><td>Size:mm</td><td></td></tr> <tr><td>Weight:kg</td><td>0.72</td></tr> <tr><td>NO.</td><td>NO.120A-1</td></tr> </table>	Part No.	DZ93189360061A	CH part name	手制动阀	EN part name	Hand brake valve	RU part name	Руки кран машиниста	Size:mm		Weight:kg	0.72	NO.	NO.120A-1		<p>KD2131</p> <table border="1"> <tr><td>Part No.</td><td>AZ9100368010</td></tr> <tr><td>CH part name</td><td>手制动阀</td></tr> <tr><td>EN part name</td><td>Hand brake valve</td></tr> <tr><td>RU part name</td><td>Руки кран машиниста</td></tr> <tr><td>Size:mm</td><td></td></tr> <tr><td>Weight:kg</td><td>0.86</td></tr> <tr><td>NO.</td><td>NO.120A-1</td></tr> </table>	Part No.	AZ9100368010	CH part name	手制动阀	EN part name	Hand brake valve	RU part name	Руки кран машиниста	Size:mm		Weight:kg	0.86	NO.	NO.120A-1
Part No.	DZ93189360061A																														
CH part name	手制动阀																														
EN part name	Hand brake valve																														
RU part name	Руки кран машиниста																														
Size:mm																															
Weight:kg	0.72																														
NO.	NO.120A-1																														
Part No.	AZ9100368010																														
CH part name	手制动阀																														
EN part name	Hand brake valve																														
RU part name	Руки кран машиниста																														
Size:mm																															
Weight:kg	0.86																														
NO.	NO.120A-1																														
Remarks: SHACMAN F3000 F2000 X3000		Remarks: SHACMAN STEYR 奥龙																													
	<p>KD2132</p> <table border="1"> <tr><td>Part No.</td><td>DZ93189360062</td></tr> <tr><td>CH part name</td><td>挂车手制动阀</td></tr> <tr><td>EN part name</td><td>Suspension driver brake valve.</td></tr> <tr><td>RU part name</td><td>Повесить гонщики кран машиниста</td></tr> <tr><td>Size:mm</td><td></td></tr> <tr><td>Weight:kg</td><td>0.76</td></tr> <tr><td>NO.</td><td>NO.120A-2</td></tr> </table>	Part No.	DZ93189360062	CH part name	挂车手制动阀	EN part name	Suspension driver brake valve.	RU part name	Повесить гонщики кран машиниста	Size:mm		Weight:kg	0.76	NO.	NO.120A-2		<p>KD2133</p> <table border="1"> <tr><td>Part No.</td><td>AZ9100361010</td></tr> <tr><td>CH part name</td><td>手制动阀</td></tr> <tr><td>EN part name</td><td>Hand brake valve</td></tr> <tr><td>RU part name</td><td>Руки кран машиниста</td></tr> <tr><td>Size:mm</td><td></td></tr> <tr><td>Weight:kg</td><td>0.86</td></tr> <tr><td>NO.</td><td>NO.120A-1</td></tr> </table>	Part No.	AZ9100361010	CH part name	手制动阀	EN part name	Hand brake valve	RU part name	Руки кран машиниста	Size:mm		Weight:kg	0.86	NO.	NO.120A-1
Part No.	DZ93189360062																														
CH part name	挂车手制动阀																														
EN part name	Suspension driver brake valve.																														
RU part name	Повесить гонщики кран машиниста																														
Size:mm																															
Weight:kg	0.76																														
NO.	NO.120A-2																														
Part No.	AZ9100361010																														
CH part name	手制动阀																														
EN part name	Hand brake valve																														
RU part name	Руки кран машиниста																														
Size:mm																															
Weight:kg	0.86																														
NO.	NO.120A-1																														
Remarks: SHACMAN F2000 F3000 X3000 新M3000 DZ9100369020		Remarks: SHACMAN STEYR 奥龙																													
	<p>KD2134</p> <table border="1"> <tr><td>Part No.</td><td>DZ91259090000</td></tr> <tr><td>CH part name</td><td>手制动阀</td></tr> <tr><td>EN part name</td><td>Hand brake valve</td></tr> <tr><td>RU part name</td><td>Руки кран машиниста</td></tr> <tr><td>Size:mm</td><td></td></tr> <tr><td>Weight:kg</td><td>0.72</td></tr> <tr><td>NO.</td><td>NO.120A-1</td></tr> </table>	Part No.	DZ91259090000	CH part name	手制动阀	EN part name	Hand brake valve	RU part name	Руки кран машиниста	Size:mm		Weight:kg	0.72	NO.	NO.120A-1		<p>KD2135</p> <table border="1"> <tr><td>Part No.</td><td>DZ96189360061</td></tr> <tr><td>CH part name</td><td>手制动阀</td></tr> <tr><td>EN part name</td><td>Hand brake valve</td></tr> <tr><td>RU part name</td><td>Руки кран машиниста</td></tr> <tr><td>Size:mm</td><td></td></tr> <tr><td>Weight:kg</td><td>0.72</td></tr> <tr><td>NO.</td><td>NO.120A-1</td></tr> </table>	Part No.	DZ96189360061	CH part name	手制动阀	EN part name	Hand brake valve	RU part name	Руки кран машиниста	Size:mm		Weight:kg	0.72	NO.	NO.120A-1
Part No.	DZ91259090000																														
CH part name	手制动阀																														
EN part name	Hand brake valve																														
RU part name	Руки кран машиниста																														
Size:mm																															
Weight:kg	0.72																														
NO.	NO.120A-1																														
Part No.	DZ96189360061																														
CH part name	手制动阀																														
EN part name	Hand brake valve																														
RU part name	Руки кран машиниста																														
Size:mm																															
Weight:kg	0.72																														
NO.	NO.120A-1																														
Remarks: SHACMAN 新M3000		Remarks: SHACMAN F3000																													

SHACMAN(1)

	<p>Part No. 81.25902.0497</p> <p>CH part name 火焰预热控制器</p> <p>EN part name Controller</p> <p>RU part name Реле контроля отопителя</p> <p>Size:mm 70*50*30</p> <p>Weight:kg 0.15</p> <p>NO.</p>		<p>Part No. DZ91189772121</p> <p>CH part name 电子里程表底盘线束</p> <p>EN part name Electronic odometer cab cabl</p> <p>RU part name электронный счетчик такси cabl</p> <p>Size:mm</p> <p>Weight:kg 0.5</p> <p>NO.</p>
Remarks: SHACMAN F2000		Remarks: SHACMAN F3000	
	<p>Part No. 99100820031B</p> <p>CH part name 一体液压泵</p> <p>EN part name Body lifting pump</p> <p>RU part name Насос подъема</p> <p>Size:mm 350*210*160</p> <p>Weight:kg 22</p> <p>NO.</p>		<p>Part No. CBFx-2100Y8-6</p> <p>CH part name 液压举升分体泵右旋</p> <p>EN part name Hydraulic lift split pump.</p> <p>RU part name Подъемный разновидность насос</p> <p>Size:mm</p> <p>Weight:kg 18</p> <p>NO.</p>
Remarks: SHACMAN F2000 F3000		Remarks: SHACMAN F2000 F3000 X3000 新M3000	
	<p>Part No. ZJZX-YB-Z8H-F</p> <p>CH part name 慢降气控转换阀</p> <p>EN part name Air control change-over valve</p> <p>RU part name Вентильный вентиль винтиль</p> <p>Size:mm</p> <p>Weight:kg 1.59</p> <p>NO.</p>		<p>Part No. 61200090162Z</p> <p>CH part name 火焰预热器总成</p> <p>EN part name The flame preheater assembly</p> <p>RU part name Пламя подогреватель в сборе</p> <p>Size:mm</p> <p>Weight:kg 0.58</p> <p>NO.</p>
Remarks: SHACMAN F2000 F3000 X3000 新M3000		Remarks: SHACMAN F2000 F3000	
	<p>Part No. K2943Z-8600129</p> <p>CH part name T式油缸头轴销</p> <p>EN part name T type oil cylinder head shaft pin</p> <p>RU part name T-цилиндр голову чека</p> <p>Size:mm</p> <p>Weight:kg 5.4</p> <p>NO.</p>		<p>Part No. K2943Z-8600139</p> <p>CH part name 后尾座长轴</p> <p>EN part name Long shaft back</p> <p>RU part name HouWei седло долго вал</p> <p>Size:mm</p> <p>Weight:kg 6.5</p> <p>NO.</p>
Remarks: SHACMAN F2000 F3000 自卸车		Remarks: SHACMAN F2000 F3000	

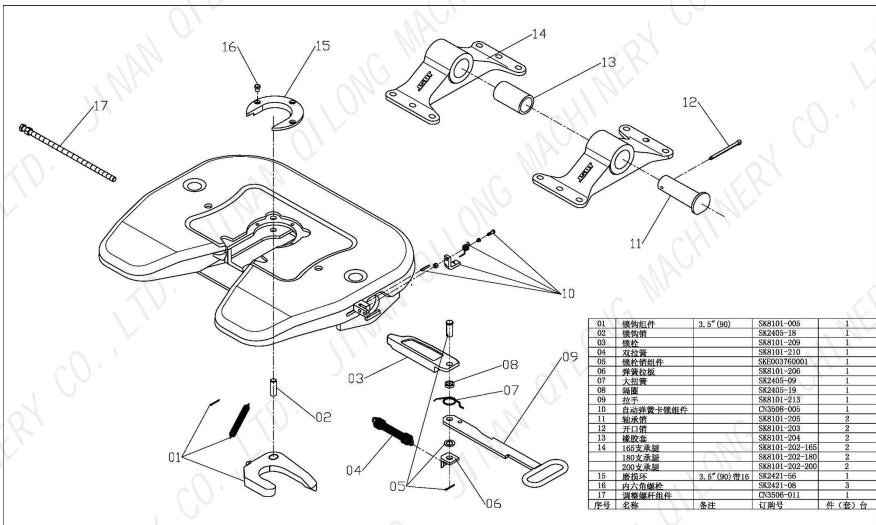






SHACMAN(1)

	<table border="1"> <tr><td>Part No.</td><td>K2943Z-8600156</td></tr> <tr><td>CH part name</td><td>油缸头衬套 (小)</td></tr> <tr><td>EN part name</td><td>Bush</td></tr> <tr><td>RU part name</td><td>втулка</td></tr> <tr><td>Size:mm</td><td></td></tr> <tr><td>Weight:kg</td><td>0.15</td></tr> <tr><td>NO.</td><td></td></tr> </table>	Part No.	K2943Z-8600156	CH part name	油缸头衬套 (小)	EN part name	Bush	RU part name	втулка	Size:mm		Weight:kg	0.15	NO.			<table border="1"> <tr><td>Part No.</td><td>K2943Z-8600157</td></tr> <tr><td>CH part name</td><td>拉杆衬套</td></tr> <tr><td>EN part name</td><td>Tie rod bushing</td></tr> <tr><td>RU part name</td><td>втулка</td></tr> <tr><td>Size:mm</td><td></td></tr> <tr><td>Weight:kg</td><td>0.15</td></tr> <tr><td>NO.</td><td></td></tr> </table>	Part No.	K2943Z-8600157	CH part name	拉杆衬套	EN part name	Tie rod bushing	RU part name	втулка	Size:mm		Weight:kg	0.15	NO.	
Part No.	K2943Z-8600156																														
CH part name	油缸头衬套 (小)																														
EN part name	Bush																														
RU part name	втулка																														
Size:mm																															
Weight:kg	0.15																														
NO.																															
Part No.	K2943Z-8600157																														
CH part name	拉杆衬套																														
EN part name	Tie rod bushing																														
RU part name	втулка																														
Size:mm																															
Weight:kg	0.15																														
NO.																															
Remarks: SHACMAN F2000 F3000		Remarks: SHACMAN F2000 F3000																													
	<table border="1"> <tr><td>Part No.</td><td>K2943Z-8601118</td></tr> <tr><td>CH part name</td><td>三角臂衬套</td></tr> <tr><td>EN part name</td><td>Bush</td></tr> <tr><td>RU part name</td><td>втулка</td></tr> <tr><td>Size:mm</td><td></td></tr> <tr><td>Weight:kg</td><td>0.2</td></tr> <tr><td>NO.</td><td></td></tr> </table>	Part No.	K2943Z-8601118	CH part name	三角臂衬套	EN part name	Bush	RU part name	втулка	Size:mm		Weight:kg	0.2	NO.			<table border="1"> <tr><td>Part No.</td><td>K2943Z-8600158</td></tr> <tr><td>CH part name</td><td>长轴衬套</td></tr> <tr><td>EN part name</td><td>Bush</td></tr> <tr><td>RU part name</td><td>втулка</td></tr> <tr><td>Size:mm</td><td></td></tr> <tr><td>Weight:kg</td><td>0.3</td></tr> <tr><td>NO.</td><td></td></tr> </table>	Part No.	K2943Z-8600158	CH part name	长轴衬套	EN part name	Bush	RU part name	втулка	Size:mm		Weight:kg	0.3	NO.	
Part No.	K2943Z-8601118																														
CH part name	三角臂衬套																														
EN part name	Bush																														
RU part name	втулка																														
Size:mm																															
Weight:kg	0.2																														
NO.																															
Part No.	K2943Z-8600158																														
CH part name	长轴衬套																														
EN part name	Bush																														
RU part name	втулка																														
Size:mm																															
Weight:kg	0.3																														
NO.																															
Remarks: SHACMAN F2000 F3000		Remarks: SHACMAN F2000 F3000																													
	<table border="1"> <tr><td>Part No.</td><td>K2943Z-8600159</td></tr> <tr><td>CH part name</td><td>油缸底座轴衬套</td></tr> <tr><td>EN part name</td><td>Bush</td></tr> <tr><td>RU part name</td><td>втулка</td></tr> <tr><td>Size:mm</td><td></td></tr> <tr><td>Weight:kg</td><td>0.24</td></tr> <tr><td>NO.</td><td></td></tr> </table>	Part No.	K2943Z-8600159	CH part name	油缸底座轴衬套	EN part name	Bush	RU part name	втулка	Size:mm		Weight:kg	0.24	NO.			<table border="1"> <tr><td>Part No.</td><td>PW21003F-A</td></tr> <tr><td>CH part name</td><td>门锁24V中央控制器</td></tr> <tr><td>EN part name</td><td>Door lock 24 v central controller</td></tr> <tr><td>RU part name</td><td>Центральный замок ми24в контроллер</td></tr> <tr><td>Size:mm</td><td></td></tr> <tr><td>Weight:kg</td><td>0.05</td></tr> <tr><td>NO.</td><td></td></tr> </table>	Part No.	PW21003F-A	CH part name	门锁24V中央控制器	EN part name	Door lock 24 v central controller	RU part name	Центральный замок ми24в контроллер	Size:mm		Weight:kg	0.05	NO.	
Part No.	K2943Z-8600159																														
CH part name	油缸底座轴衬套																														
EN part name	Bush																														
RU part name	втулка																														
Size:mm																															
Weight:kg	0.24																														
NO.																															
Part No.	PW21003F-A																														
CH part name	门锁24V中央控制器																														
EN part name	Door lock 24 v central controller																														
RU part name	Центральный замок ми24в контроллер																														
Size:mm																															
Weight:kg	0.05																														
NO.																															
Remarks: SHACMAN F2000 F3000		Remarks: SHACMAN F2000 F3000																													
	<table border="1"> <tr><td>Part No.</td><td>FCA157-4-05385-009-K0343</td></tr> <tr><td>CH part name</td><td>海沃油缸 (前举)</td></tr> <tr><td>EN part name</td><td>Lifting cylinder</td></tr> <tr><td>RU part name</td><td>Гидроцилиндр подъема кузова</td></tr> <tr><td>Size:mm</td><td>1500*400*300</td></tr> <tr><td>Weight:kg</td><td>400</td></tr> <tr><td>NO.</td><td></td></tr> </table>	Part No.	FCA157-4-05385-009-K0343	CH part name	海沃油缸 (前举)	EN part name	Lifting cylinder	RU part name	Гидроцилиндр подъема кузова	Size:mm	1500*400*300	Weight:kg	400	NO.			<table border="1"> <tr><td>Part No.</td><td>QZ169-2XLB</td></tr> <tr><td>CH part name</td><td>中举油缸</td></tr> <tr><td>EN part name</td><td>Lifting cylinder</td></tr> <tr><td>RU part name</td><td>Гидроцилиндр подъема кузова</td></tr> <tr><td>Size:mm</td><td></td></tr> <tr><td>Weight:kg</td><td>153</td></tr> <tr><td>NO.</td><td></td></tr> </table>	Part No.	QZ169-2XLB	CH part name	中举油缸	EN part name	Lifting cylinder	RU part name	Гидроцилиндр подъема кузова	Size:mm		Weight:kg	153	NO.	
Part No.	FCA157-4-05385-009-K0343																														
CH part name	海沃油缸 (前举)																														
EN part name	Lifting cylinder																														
RU part name	Гидроцилиндр подъема кузова																														
Size:mm	1500*400*300																														
Weight:kg	400																														
NO.																															
Part No.	QZ169-2XLB																														
CH part name	中举油缸																														
EN part name	Lifting cylinder																														
RU part name	Гидроцилиндр подъема кузова																														
Size:mm																															
Weight:kg	153																														
NO.																															
Remarks: SHACMAN F2000 F3000 F169-4		Remarks: SHACMAN F2000 F3000																													

SHACMAN(1)

	<table border="1"> <tr><td>Part No.</td><td>QZ169-2XLB</td></tr> <tr><td>CH part name</td><td>青专油缸修理包</td></tr> <tr><td>EN part name</td><td>Hayward lifting cylinder repair kit</td></tr> <tr><td>RU part name</td><td>Ремкомплект цилиндра подъема кузова</td></tr> <tr><td>Size:mm</td><td>220*220*60</td></tr> <tr><td>Weight:kg</td><td>0.6</td></tr> <tr><td>NO.</td><td></td></tr> </table>	Part No.	QZ169-2XLB	CH part name	青专油缸修理包	EN part name	Hayward lifting cylinder repair kit	RU part name	Ремкомплект цилиндра подъема кузова	Size:mm	220*220*60	Weight:kg	0.6	NO.			<table border="1"> <tr><td>Part No.</td><td>FC169-4</td></tr> <tr><td>CH part name</td><td>海沃油缸修理包</td></tr> <tr><td>EN part name</td><td>Hayward lifting cylinder repair kit</td></tr> <tr><td>RU part name</td><td>Ремкомплект цилиндра подъема кузова</td></tr> <tr><td>Size:mm</td><td>220*220*60</td></tr> <tr><td>Weight:kg</td><td>1.1</td></tr> <tr><td>NO.</td><td></td></tr> </table>	Part No.	FC169-4	CH part name	海沃油缸修理包	EN part name	Hayward lifting cylinder repair kit	RU part name	Ремкомплект цилиндра подъема кузова	Size:mm	220*220*60	Weight:kg	1.1	NO.	
Part No.	QZ169-2XLB																														
CH part name	青专油缸修理包																														
EN part name	Hayward lifting cylinder repair kit																														
RU part name	Ремкомплект цилиндра подъема кузова																														
Size:mm	220*220*60																														
Weight:kg	0.6																														
NO.																															
Part No.	FC169-4																														
CH part name	海沃油缸修理包																														
EN part name	Hayward lifting cylinder repair kit																														
RU part name	Ремкомплект цилиндра подъема кузова																														
Size:mm	220*220*60																														
Weight:kg	1.1																														
NO.																															
Remarks: SHACMAN F2000 F3000		Remarks: SHACMAN F2000 F3000																													
	<table border="1"> <tr><td>Part No.</td><td>CKHY0014 (14750667H)</td></tr> <tr><td>CH part name</td><td>海沃举升阀</td></tr> <tr><td>EN part name</td><td>Lifting valve</td></tr> <tr><td>RU part name</td><td>Клапан подъема</td></tr> <tr><td>Size:mm</td><td>147*68*66</td></tr> <tr><td>Weight:kg</td><td>0.33</td></tr> <tr><td>NO.</td><td></td></tr> </table>	Part No.	CKHY0014 (14750667H)	CH part name	海沃举升阀	EN part name	Lifting valve	RU part name	Клапан подъема	Size:mm	147*68*66	Weight:kg	0.33	NO.			<table border="1"> <tr><td>Part No.</td><td>QSW26-16</td></tr> <tr><td>CH part name</td><td>举升阀 (青专)</td></tr> <tr><td>EN part name</td><td>Air operated lifting valve</td></tr> <tr><td>RU part name</td><td>Клапан подъема</td></tr> <tr><td>Size:mm</td><td>170*118*82</td></tr> <tr><td>Weight:kg</td><td>0.68</td></tr> <tr><td>NO.</td><td></td></tr> </table>	Part No.	QSW26-16	CH part name	举升阀 (青专)	EN part name	Air operated lifting valve	RU part name	Клапан подъема	Size:mm	170*118*82	Weight:kg	0.68	NO.	
Part No.	CKHY0014 (14750667H)																														
CH part name	海沃举升阀																														
EN part name	Lifting valve																														
RU part name	Клапан подъема																														
Size:mm	147*68*66																														
Weight:kg	0.33																														
NO.																															
Part No.	QSW26-16																														
CH part name	举升阀 (青专)																														
EN part name	Air operated lifting valve																														
RU part name	Клапан подъема																														
Size:mm	170*118*82																														
Weight:kg	0.68																														
NO.																															
Remarks: SHACMAN F2000 F3000		Remarks: SHACMAN F2000 F3000																													
	<table border="1"> <tr><td>Part No.</td><td>1220-250-LC</td></tr> <tr><td>CH part name</td><td>HT举升阀</td></tr> <tr><td>EN part name</td><td>Body PT valve</td></tr> <tr><td>RU part name</td><td>PT клапан большой коробки</td></tr> <tr><td>Size:mm</td><td>280*130*85</td></tr> <tr><td>Weight:kg</td><td>6.2</td></tr> <tr><td>NO.</td><td></td></tr> </table>	Part No.	1220-250-LC	CH part name	HT举升阀	EN part name	Body PT valve	RU part name	PT клапан большой коробки	Size:mm	280*130*85	Weight:kg	6.2	NO.			<table border="1"> <tr><td>Part No.</td><td>GEAR PUMP100L-BI-250-2R</td></tr> <tr><td>CH part name</td><td>齿轮泵</td></tr> <tr><td>EN part name</td><td>Body lifting pump</td></tr> <tr><td>RU part name</td><td>Насос подъема</td></tr> <tr><td>Size:mm</td><td></td></tr> <tr><td>Weight:kg</td><td>19.8</td></tr> <tr><td>NO.</td><td></td></tr> </table>	Part No.	GEAR PUMP100L-BI-250-2R	CH part name	齿轮泵	EN part name	Body lifting pump	RU part name	Насос подъема	Size:mm		Weight:kg	19.8	NO.	
Part No.	1220-250-LC																														
CH part name	HT举升阀																														
EN part name	Body PT valve																														
RU part name	PT клапан большой коробки																														
Size:mm	280*130*85																														
Weight:kg	6.2																														
NO.																															
Part No.	GEAR PUMP100L-BI-250-2R																														
CH part name	齿轮泵																														
EN part name	Body lifting pump																														
RU part name	Насос подъема																														
Size:mm																															
Weight:kg	19.8																														
NO.																															
Remarks: SHACMAN F2000 F3000		Remarks: SHACMAN F2000 F3000																													
	<table border="1"> <tr><td>Part No.</td><td></td></tr> <tr><td>CH part name</td><td>限位阀</td></tr> <tr><td>EN part name</td><td>Limit valve</td></tr> <tr><td>RU part name</td><td>Концевой кран</td></tr> <tr><td>Size:mm</td><td></td></tr> <tr><td>Weight:kg</td><td>0.43</td></tr> <tr><td>NO.</td><td></td></tr> </table>	Part No.		CH part name	限位阀	EN part name	Limit valve	RU part name	Концевой кран	Size:mm		Weight:kg	0.43	NO.			<table border="1"> <tr><td>Part No.</td><td>ZJZX-YB-Z8L-F</td></tr> <tr><td>CH part name</td><td>中举一体油泵</td></tr> <tr><td>EN part name</td><td>Body lifting pump</td></tr> <tr><td>RU part name</td><td>Насос подъема</td></tr> <tr><td>Size:mm</td><td>360*280*180</td></tr> <tr><td>Weight:kg</td><td>25</td></tr> <tr><td>NO.</td><td></td></tr> </table>	Part No.	ZJZX-YB-Z8L-F	CH part name	中举一体油泵	EN part name	Body lifting pump	RU part name	Насос подъема	Size:mm	360*280*180	Weight:kg	25	NO.	
Part No.																															
CH part name	限位阀																														
EN part name	Limit valve																														
RU part name	Концевой кран																														
Size:mm																															
Weight:kg	0.43																														
NO.																															
Part No.	ZJZX-YB-Z8L-F																														
CH part name	中举一体油泵																														
EN part name	Body lifting pump																														
RU part name	Насос подъема																														
Size:mm	360*280*180																														
Weight:kg	25																														
NO.																															
Remarks: SHACMAN F2000 F3000		Remarks: SHACMAN F2000 F3000																													

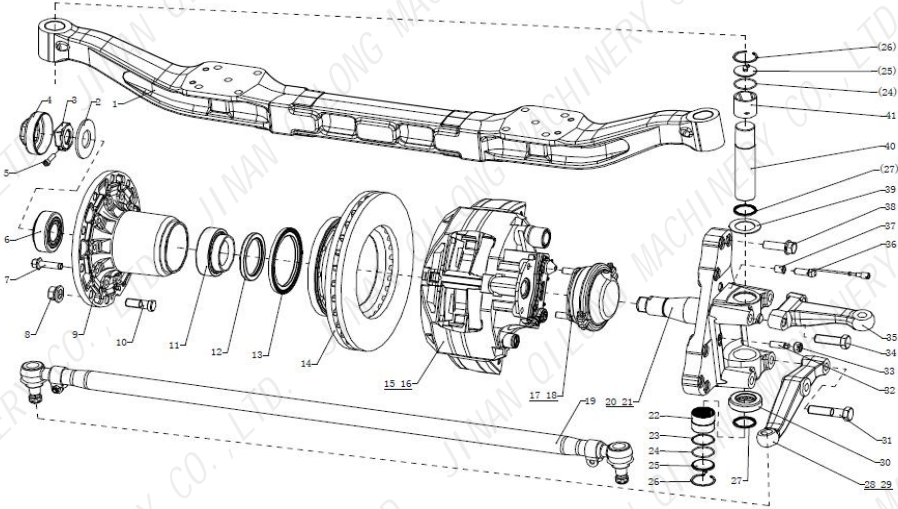




SHACMAN(1)

The traction saddle		NO.120A		KD2160																																																																																																									
 <table border="1" data-bbox="721 555 1012 762"> <tr><td>01</td><td>锁钩组件</td><td>3.5"(90)</td><td>SK810-005</td><td>1</td></tr> <tr><td>02</td><td>锁钩销</td><td></td><td>SK2401-18</td><td>1</td></tr> <tr><td>03</td><td>锁钩</td><td></td><td>SK810-209</td><td>1</td></tr> <tr><td>04</td><td>双拉索</td><td></td><td>SK810-210</td><td>1</td></tr> <tr><td>05</td><td>锁钩的组件</td><td></td><td>SK810-00501</td><td>1</td></tr> <tr><td>06</td><td>弹簧拉板</td><td></td><td>SK810-206</td><td>1</td></tr> <tr><td>07</td><td>大拉索</td><td></td><td>SK2401-09</td><td>1</td></tr> <tr><td>08</td><td>钩臂</td><td></td><td>SK2401-19</td><td>1</td></tr> <tr><td>09</td><td>钩子</td><td></td><td>SK810-213</td><td>1</td></tr> <tr><td>10</td><td>台车的架卡锁组件</td><td></td><td>CN3008-005</td><td>1</td></tr> <tr><td>11</td><td>轴承套</td><td></td><td>SK810-205</td><td>2</td></tr> <tr><td>12</td><td>开刀销</td><td></td><td>SK810-203</td><td>2</td></tr> <tr><td>13</td><td>螺母</td><td></td><td>SK810-204</td><td>2</td></tr> <tr><td>14</td><td>165支承销</td><td></td><td>SK810-202-165</td><td>2</td></tr> <tr><td>15</td><td>180支承销</td><td></td><td>SK810-202-180</td><td>2</td></tr> <tr><td>16</td><td>200支承销</td><td></td><td>SK810-202-200</td><td>2</td></tr> <tr><td>18</td><td>磨损环</td><td>3.0"(90)磨16</td><td>SK2421-56</td><td>1</td></tr> <tr><td>19</td><td>双凸形螺栓</td><td></td><td>SK2421-08</td><td>3</td></tr> <tr><td>17</td><td>调整螺栓组件</td><td></td><td>CN3506-011</td><td>1</td></tr> <tr><td>序号</td><td>名称</td><td>备注</td><td>订购号</td><td>件(套)数</td></tr> </table>				01	锁钩组件	3.5"(90)	SK810-005	1	02	锁钩销		SK2401-18	1	03	锁钩		SK810-209	1	04	双拉索		SK810-210	1	05	锁钩的组件		SK810-00501	1	06	弹簧拉板		SK810-206	1	07	大拉索		SK2401-09	1	08	钩臂		SK2401-19	1	09	钩子		SK810-213	1	10	台车的架卡锁组件		CN3008-005	1	11	轴承套		SK810-205	2	12	开刀销		SK810-203	2	13	螺母		SK810-204	2	14	165支承销		SK810-202-165	2	15	180支承销		SK810-202-180	2	16	200支承销		SK810-202-200	2	18	磨损环	3.0"(90)磨16	SK2421-56	1	19	双凸形螺栓		SK2421-08	3	17	调整螺栓组件		CN3506-011	1	序号	名称	备注	订购号	件(套)数			Part No.		CKHY-0001	
				01	锁钩组件	3.5"(90)	SK810-005	1																																																																																																					
				02	锁钩销		SK2401-18	1																																																																																																					
				03	锁钩		SK810-209	1																																																																																																					
				04	双拉索		SK810-210	1																																																																																																					
				05	锁钩的组件		SK810-00501	1																																																																																																					
				06	弹簧拉板		SK810-206	1																																																																																																					
07	大拉索		SK2401-09	1																																																																																																									
08	钩臂		SK2401-19	1																																																																																																									
09	钩子		SK810-213	1																																																																																																									
10	台车的架卡锁组件		CN3008-005	1																																																																																																									
11	轴承套		SK810-205	2																																																																																																									
12	开刀销		SK810-203	2																																																																																																									
13	螺母		SK810-204	2																																																																																																									
14	165支承销		SK810-202-165	2																																																																																																									
15	180支承销		SK810-202-180	2																																																																																																									
16	200支承销		SK810-202-200	2																																																																																																									
18	磨损环	3.0"(90)磨16	SK2421-56	1																																																																																																									
19	双凸形螺栓		SK2421-08	3																																																																																																									
17	调整螺栓组件		CN3506-011	1																																																																																																									
序号	名称	备注	订购号	件(套)数																																																																																																									
CH part name		举升分配阀																																																																																																											
EN part name		Air operated distributing valve																																																																																																											
RU part name		Клапан распределителя подъёма																																																																																																											
Size:mm		350*150*80																																																																																																											
Weight:kg		5.8																																																																																																											
NO.																																																																																																													
Remarks: SHACMAN F2000 F3000 X3000 新M3000																																																																																																													
				KD2161																																																																																																									
				Part No.		19914930076																																																																																																							
				CH part name		牵引鞍座																																																																																																							
				EN part name		Traction saddle																																																																																																							
				RU part name		тяговый седло																																																																																																							
				Size:mm																																																																																																									
				Weight:kg		155																																																																																																							
				NO.		NO.120A																																																																																																							
Remarks: SHACMAN F2000 F3000 (单摆90.190mm)																																																																																																													
KD2162				KD2163																																																																																																									
				Part No.		SK810-005																																																																																																							
				CH part name		锁钩组件																																																																																																							
				EN part name		Saddle hook																																																																																																							
				RU part name		Седло замка																																																																																																							
				Size:mm																																																																																																									
				Weight:kg		1.05																																																																																																							
				NO.		NO.120A																																																																																																							
Remarks: SHACMAN F2000 F3000 H3000 X3000 M3000																																																																																																													
				KD2163																																																																																																									
				Part No.		SZ993000003																																																																																																							
				CH part name		约斯特50鞍座																																																																																																							
				EN part name		Traction saddle																																																																																																							
				RU part name		тяговый седло																																																																																																							
				Size:mm																																																																																																									
				Weight:kg		145																																																																																																							
				NO.		NO.120A																																																																																																							
Remarks: SHACMAN F2000 F3000 H3000 X3000 M3000																																																																																																													
KD2164				KD2165																																																																																																									
				Part No.		SK2421-56																																																																																																							
				CH part name		磨损环																																																																																																							
				EN part name		Saddle horseshoe																																																																																																							
				RU part name		Седло подкова																																																																																																							
				Size:mm																																																																																																									
				Weight:kg		1.1																																																																																																							
				NO.		NO.120A-15																																																																																																							
Remarks: SHACMAN F2000 F3000 H3000 X3000 M3000																																																																																																													
				KD2165																																																																																																									
				Part No.		DZ91189933016																																																																																																							
				CH part name		90鞍座																																																																																																							
				EN part name		Traction saddle																																																																																																							
				RU part name		тяговый седло																																																																																																							
				Size:mm																																																																																																									
				Weight:kg		156																																																																																																							
				NO.		NO.120A																																																																																																							
Remarks: SHACMAN F2000 F3000																																																																																																													

SHACMAN(1)

	<table border="1"> <tr><td>Part No.</td><td>SZ99300003Q</td></tr> <tr><td>CH part name</td><td>50牵座销</td></tr> <tr><td>EN part name</td><td>50 the traction saddle pin</td></tr> <tr><td>RU part name</td><td>50 тяговый седло палец</td></tr> <tr><td>Size:mm</td><td></td></tr> <tr><td>Weight:kg</td><td>7</td></tr> <tr><td>NO.</td><td></td></tr> </table>	Part No.	SZ99300003Q	CH part name	50牵座销	EN part name	50 the traction saddle pin	RU part name	50 тяговый седло палец	Size:mm		Weight:kg	7	NO.			<table border="1"> <tr><td>Part No.</td><td>DZ91189933016Q</td></tr> <tr><td>CH part name</td><td>90牵引销</td></tr> <tr><td>EN part name</td><td>90 the traction saddle pin</td></tr> <tr><td>RU part name</td><td>90 тяговый седло палец</td></tr> <tr><td>Size:mm</td><td></td></tr> <tr><td>Weight:kg</td><td>15</td></tr> <tr><td>NO.</td><td></td></tr> </table>	Part No.	DZ91189933016Q	CH part name	90牵引销	EN part name	90 the traction saddle pin	RU part name	90 тяговый седло палец	Size:mm		Weight:kg	15	NO.	
Part No.	SZ99300003Q																														
CH part name	50牵座销																														
EN part name	50 the traction saddle pin																														
RU part name	50 тяговый седло палец																														
Size:mm																															
Weight:kg	7																														
NO.																															
Part No.	DZ91189933016Q																														
CH part name	90牵引销																														
EN part name	90 the traction saddle pin																														
RU part name	90 тяговый седло палец																														
Size:mm																															
Weight:kg	15																														
NO.																															
Remarks: SHACMAN F2000 F3000 H3000 X3000 M3000		Remarks: SHACMAN F2000 F3000 H3000 X3000 M3000																													
	<table border="1"> <tr><td>Part No.</td><td>QD90009E</td></tr> <tr><td>CH part name</td><td>支座销</td></tr> <tr><td>EN part name</td><td>Support pin</td></tr> <tr><td>RU part name</td><td>Опора палец</td></tr> <tr><td>Size:mm</td><td></td></tr> <tr><td>Weight:kg</td><td>1.2</td></tr> <tr><td>NO.</td><td>NO.120A-11</td></tr> </table>	Part No.	QD90009E	CH part name	支座销	EN part name	Support pin	RU part name	Опора палец	Size:mm		Weight:kg	1.2	NO.	NO.120A-11		<table border="1"> <tr><td>Part No.</td><td>DS2730A17012</td></tr> <tr><td>CH part name</td><td>支腿销轴</td></tr> <tr><td>EN part name</td><td>Support pin</td></tr> <tr><td>RU part name</td><td>Опора палец</td></tr> <tr><td>Size:mm</td><td>58</td></tr> <tr><td>Weight:kg</td><td>1.2</td></tr> <tr><td>NO.</td><td>NO.120A-11</td></tr> </table>	Part No.	DS2730A17012	CH part name	支腿销轴	EN part name	Support pin	RU part name	Опора палец	Size:mm	58	Weight:kg	1.2	NO.	NO.120A-11
Part No.	QD90009E																														
CH part name	支座销																														
EN part name	Support pin																														
RU part name	Опора палец																														
Size:mm																															
Weight:kg	1.2																														
NO.	NO.120A-11																														
Part No.	DS2730A17012																														
CH part name	支腿销轴																														
EN part name	Support pin																														
RU part name	Опора палец																														
Size:mm	58																														
Weight:kg	1.2																														
NO.	NO.120A-11																														
Remarks: SHACMAN (适用于SZ993000796 135型90鞍座 镇江宝华)		Remarks: SHACMAN F2000 F3000 H3000 X3000 M3000																													
	<table border="1"> <tr><td>Part No.</td><td>QD90008C</td></tr> <tr><td>CH part name</td><td>橡胶套</td></tr> <tr><td>EN part name</td><td>Rubber sleeve</td></tr> <tr><td>RU part name</td><td>Комплект резины</td></tr> <tr><td>Size:mm</td><td>113*84*70</td></tr> <tr><td>Weight:kg</td><td>0.25</td></tr> <tr><td>NO.</td><td>NO.120A-13</td></tr> </table>	Part No.	QD90008C	CH part name	橡胶套	EN part name	Rubber sleeve	RU part name	Комплект резины	Size:mm	113*84*70	Weight:kg	0.25	NO.	NO.120A-13		<table border="1"> <tr><td>Part No.</td><td>CN3506-017</td></tr> <tr><td>CH part name</td><td>橡胶套组件</td></tr> <tr><td>EN part name</td><td>Rubber sleeve</td></tr> <tr><td>RU part name</td><td>Комплект резины</td></tr> <tr><td>Size:mm</td><td>102.5*70*51</td></tr> <tr><td>Weight:kg</td><td>0.3</td></tr> <tr><td>NO.</td><td>NO.120A-13</td></tr> </table>	Part No.	CN3506-017	CH part name	橡胶套组件	EN part name	Rubber sleeve	RU part name	Комплект резины	Size:mm	102.5*70*51	Weight:kg	0.3	NO.	NO.120A-13
Part No.	QD90008C																														
CH part name	橡胶套																														
EN part name	Rubber sleeve																														
RU part name	Комплект резины																														
Size:mm	113*84*70																														
Weight:kg	0.25																														
NO.	NO.120A-13																														
Part No.	CN3506-017																														
CH part name	橡胶套组件																														
EN part name	Rubber sleeve																														
RU part name	Комплект резины																														
Size:mm	102.5*70*51																														
Weight:kg	0.3																														
NO.	NO.120A-13																														
Remarks: SHACMAN F2000 F3000 H3000 X3000 M3000		Remarks: SHACMAN F2000 F3000 H3000 X3000 M3000																													
	<table border="1"> <tr><td>Part No.</td><td>DS2730A17013</td></tr> <tr><td>CH part name</td><td>缓冲衬套</td></tr> <tr><td>EN part name</td><td>Rubber sleeve</td></tr> <tr><td>RU part name</td><td>Комплект резины</td></tr> <tr><td>Size:mm</td><td>99*80*58</td></tr> <tr><td>Weight:kg</td><td>0.26</td></tr> <tr><td>NO.</td><td>NO.120A-13</td></tr> </table>	Part No.	DS2730A17013	CH part name	缓冲衬套	EN part name	Rubber sleeve	RU part name	Комплект резины	Size:mm	99*80*58	Weight:kg	0.26	NO.	NO.120A-13		<table border="1"> <tr><td>Part No.</td><td>81.44312.0009</td></tr> <tr><td>CH part name</td><td>前轮胎帽</td></tr> <tr><td>EN part name</td><td>Wheel hub cap</td></tr> <tr><td>RU part name</td><td>колеса - кап</td></tr> <tr><td>Size:mm</td><td></td></tr> <tr><td>Weight:kg</td><td>0.5</td></tr> <tr><td>NO.</td><td>NO.121-1</td></tr> </table>	Part No.	81.44312.0009	CH part name	前轮胎帽	EN part name	Wheel hub cap	RU part name	колеса - кап	Size:mm		Weight:kg	0.5	NO.	NO.121-1
Part No.	DS2730A17013																														
CH part name	缓冲衬套																														
EN part name	Rubber sleeve																														
RU part name	Комплект резины																														
Size:mm	99*80*58																														
Weight:kg	0.26																														
NO.	NO.120A-13																														
Part No.	81.44312.0009																														
CH part name	前轮胎帽																														
EN part name	Wheel hub cap																														
RU part name	колеса - кап																														
Size:mm																															
Weight:kg	0.5																														
NO.	NO.121-1																														
Remarks: SHACMAN F2000 F3000 H3000 X3000 M3000		Remarks: SHACMAN MAN F2000 F3000 M3000 X3000 7.5t 9.5t 通用盘式																													









SHACMAN(1)

Disc front axle		NO.121		
	KD2174			
		Part No.	81.44215.0016	
		CH part name	MAN前止推垫圈	
		EN part name	Stop washer	
		RU part name	остановить машину	
		Size:mm		
		Weight:kg	0.25	
		NO.	NO.121-2	
	Remarks: SHACMAN F2000 F3000 M3000 X3000 7.5t 9.5t 通用盘式			
	KD2175			
	Part No.	DZ9100410029		
	CH part name	盘式前轮毂		
	EN part name	Disc front hub		
	RU part name	диск переднего узел		
	Size:mm			
	Weight:kg	22		
	NO.	NO.121-9		
Remarks: SHAC MAN				
KD2176		KD2178		
	Part No.	06.32499.0016	Part No.	06.32499.0081
	CH part name	轮毂外轴承SKF32310J2	CH part name	盘式前轮毂内轴承
	EN part name	The bearing	EN part name	Disc front wheel hub inner bearing
	RU part name	подшипник	RU part name	диск переднего колеса внутренней с центром
	Size:mm		Size:mm	
	Weight:kg	1.82	Weight:kg	2.7
	NO.	supplement	NO.	NO.121-11
Remarks: SHAC MAN F2000 F3000 M3000 X3000 7.5t 9.5t 06.32499.0034 通用盘式		Remarks: SHAC MAN F2000 F3000 M3000 X3000 7.5t 9.5t		
KD2179		KD2180		
	Part No.	06.56289.0267	Part No.	DZ9100440030
	CH part name	盘式轮毂油封	CH part name	制动盘
	EN part name	Seal ring for axle	EN part name	Brake disc
	RU part name	перстнем на оси,	RU part name	тормозной диск
	Size:mm		Size:mm	22.5寸
	Weight:kg	0.23	Weight:kg	
	NO.	NO.121-12	NO.	NO.121-14
Remarks: SHACMAN		Remarks:SHAC MAN F2000 F3000 M3000 X3000		





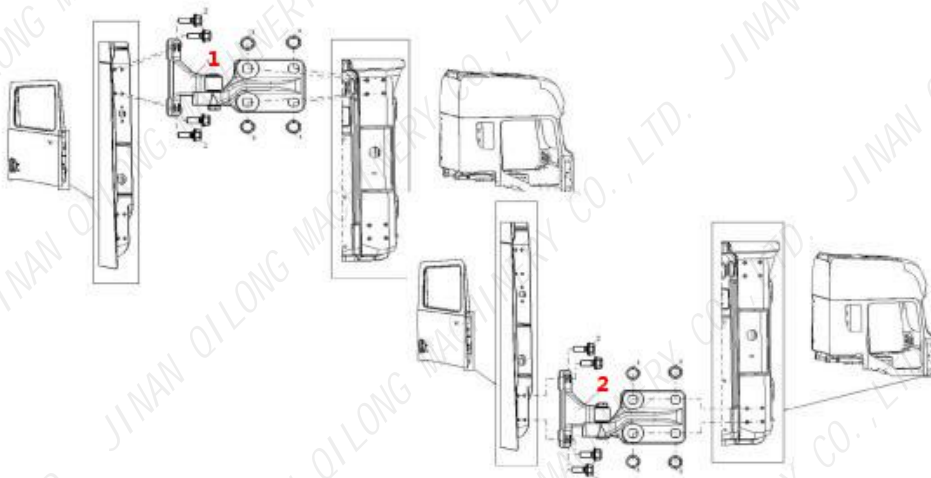


SHACMAN(1)

	<table border="1"> <tr><td>Part No.</td><td>DZ9100440115</td></tr> <tr><td>CH part name</td><td>制动盘</td></tr> <tr><td>EN part name</td><td>Brake disc</td></tr> <tr><td>RU part name</td><td>тормозной диск</td></tr> <tr><td>Size:mm</td><td>20寸</td></tr> <tr><td>Weight:kg</td><td></td></tr> <tr><td>NO.</td><td>NO.121-14</td></tr> </table>	Part No.	DZ9100440115	CH part name	制动盘	EN part name	Brake disc	RU part name	тормозной диск	Size:mm	20寸	Weight:kg		NO.	NO.121-14		<table border="1"> <tr><td>Part No.</td><td>DZ9100440040</td></tr> <tr><td>CH part name</td><td>制动钳总成</td></tr> <tr><td>EN part name</td><td>Brake caliper LH</td></tr> <tr><td>RU part name</td><td>тормозной щипцы</td></tr> <tr><td>Size:mm</td><td>22.5寸</td></tr> <tr><td>Weight:kg</td><td>5</td></tr> <tr><td>NO.</td><td>104-15</td></tr> </table>	Part No.	DZ9100440040	CH part name	制动钳总成	EN part name	Brake caliper LH	RU part name	тормозной щипцы	Size:mm	22.5寸	Weight:kg	5	NO.	104-15
Part No.	DZ9100440115																														
CH part name	制动盘																														
EN part name	Brake disc																														
RU part name	тормозной диск																														
Size:mm	20寸																														
Weight:kg																															
NO.	NO.121-14																														
Part No.	DZ9100440040																														
CH part name	制动钳总成																														
EN part name	Brake caliper LH																														
RU part name	тормозной щипцы																														
Size:mm	22.5寸																														
Weight:kg	5																														
NO.	104-15																														
Remarks:SHAC MAN F2000 F3000 M3000 X3000		Remarks:SHAC MAN F2000 F3000 M3000 X3000 DZ9100440077																													
	<table border="1"> <tr><td>Part No.</td><td>DZ9100440118</td></tr> <tr><td>CH part name</td><td>制动钳总成</td></tr> <tr><td>EN part name</td><td>Brake caliper RH</td></tr> <tr><td>RU part name</td><td>тормозной щипцы</td></tr> <tr><td>Size:mm</td><td>20寸</td></tr> <tr><td>Weight:kg</td><td>5</td></tr> <tr><td>NO.</td><td>NO.121-16</td></tr> </table>	Part No.	DZ9100440118	CH part name	制动钳总成	EN part name	Brake caliper RH	RU part name	тормозной щипцы	Size:mm	20寸	Weight:kg	5	NO.	NO.121-16		<table border="1"> <tr><td>Part No.</td><td>DZ9100440114</td></tr> <tr><td>CH part name</td><td>制动钳总成</td></tr> <tr><td>EN part name</td><td>Brake caliper LH</td></tr> <tr><td>RU part name</td><td>тормозной щипцы</td></tr> <tr><td>Size:mm</td><td>20寸</td></tr> <tr><td>Weight:kg</td><td>5</td></tr> <tr><td>NO.</td><td>NO.121-15</td></tr> </table>	Part No.	DZ9100440114	CH part name	制动钳总成	EN part name	Brake caliper LH	RU part name	тормозной щипцы	Size:mm	20寸	Weight:kg	5	NO.	NO.121-15
Part No.	DZ9100440118																														
CH part name	制动钳总成																														
EN part name	Brake caliper RH																														
RU part name	тормозной щипцы																														
Size:mm	20寸																														
Weight:kg	5																														
NO.	NO.121-16																														
Part No.	DZ9100440114																														
CH part name	制动钳总成																														
EN part name	Brake caliper LH																														
RU part name	тормозной щипцы																														
Size:mm	20寸																														
Weight:kg	5																														
NO.	NO.121-15																														
Remarks:SHAC MAN F2000 F3000 M3000 X3000		Remarks:SHAC MAN F2000 F3000 M3000 X3000																													
	<table border="1"> <tr><td>Part No.</td><td>DZ9100440045/DZ9100440047</td></tr> <tr><td>CH part name</td><td>摩擦块</td></tr> <tr><td>EN part name</td><td>Friction block</td></tr> <tr><td>RU part name</td><td>фрикционный блок</td></tr> <tr><td>Size:mm</td><td></td></tr> <tr><td>Weight:kg</td><td>1.05</td></tr> <tr><td>NO.</td><td>NO.121</td></tr> </table>	Part No.	DZ9100440045/DZ9100440047	CH part name	摩擦块	EN part name	Friction block	RU part name	фрикционный блок	Size:mm		Weight:kg	1.05	NO.	NO.121		<table border="1"> <tr><td>Part No.</td><td>DZ9100440050</td></tr> <tr><td>CH part name</td><td>制动钳总成</td></tr> <tr><td>EN part name</td><td>Brake caliper RH</td></tr> <tr><td>RU part name</td><td>тормозной щипцы</td></tr> <tr><td>Size:mm</td><td>22.5寸</td></tr> <tr><td>Weight:kg</td><td>5</td></tr> <tr><td>NO.</td><td>NO.121-16</td></tr> </table>	Part No.	DZ9100440050	CH part name	制动钳总成	EN part name	Brake caliper RH	RU part name	тормозной щипцы	Size:mm	22.5寸	Weight:kg	5	NO.	NO.121-16
Part No.	DZ9100440045/DZ9100440047																														
CH part name	摩擦块																														
EN part name	Friction block																														
RU part name	фрикционный блок																														
Size:mm																															
Weight:kg	1.05																														
NO.	NO.121																														
Part No.	DZ9100440050																														
CH part name	制动钳总成																														
EN part name	Brake caliper RH																														
RU part name	тормозной щипцы																														
Size:mm	22.5寸																														
Weight:kg	5																														
NO.	NO.121-16																														
Remarks:SHAC MAN F2000 F3000 M3000 X3000		Remarks:SHAC MAN F2000 F3000 M3000 X3000 DZ9100440078																													
	<table border="1"> <tr><td>Part No.</td><td>DZ9100360302</td></tr> <tr><td>CH part name</td><td>碟刹前气室RH</td></tr> <tr><td>EN part name</td><td>Brake chamber(right)</td></tr> <tr><td>RU part name</td><td>блок chamber (право)</td></tr> <tr><td>Size:mm</td><td></td></tr> <tr><td>Weight:kg</td><td>3.05</td></tr> <tr><td>NO.</td><td>NO.121-18</td></tr> </table>	Part No.	DZ9100360302	CH part name	碟刹前气室RH	EN part name	Brake chamber(right)	RU part name	блок chamber (право)	Size:mm		Weight:kg	3.05	NO.	NO.121-18		<table border="1"> <tr><td>Part No.</td><td>DZ9100360301</td></tr> <tr><td>CH part name</td><td>碟刹前气室LH</td></tr> <tr><td>EN part name</td><td>Brake chamber(left)</td></tr> <tr><td>RU part name</td><td>блок chamber (слева)</td></tr> <tr><td>Size:mm</td><td></td></tr> <tr><td>Weight:kg</td><td>3.05</td></tr> <tr><td>NO.</td><td>NO.121-17</td></tr> </table>	Part No.	DZ9100360301	CH part name	碟刹前气室LH	EN part name	Brake chamber(left)	RU part name	блок chamber (слева)	Size:mm		Weight:kg	3.05	NO.	NO.121-17
Part No.	DZ9100360302																														
CH part name	碟刹前气室RH																														
EN part name	Brake chamber(right)																														
RU part name	блок chamber (право)																														
Size:mm																															
Weight:kg	3.05																														
NO.	NO.121-18																														
Part No.	DZ9100360301																														
CH part name	碟刹前气室LH																														
EN part name	Brake chamber(left)																														
RU part name	блок chamber (слева)																														
Size:mm																															
Weight:kg	3.05																														
NO.	NO.121-17																														
Remarks:SHAC MAN F2000 F3000 M3000 X3000 DZ9112360101		Remarks:SHAC MAN F2000 F3000 M3000 X3000 DZ9112360100																													





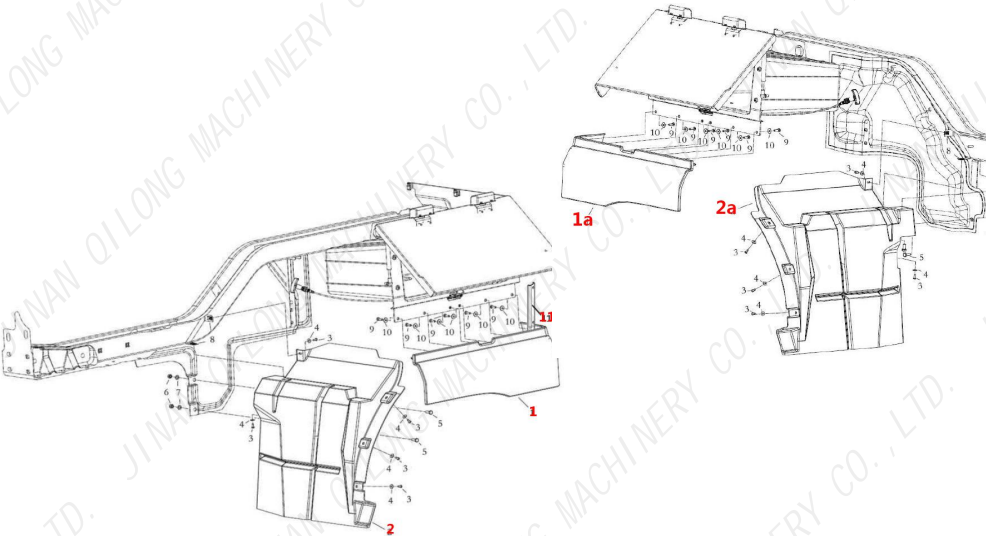


SHACMAN(1)

KD2189			KD2190		
	Part No.	81.46711.6725		Part No.	DZ9100410211
	CH part name	转向横拉杆		CH part name	盘式转向节LH
	EN part name	Steering tie rod		EN part name	Disc brake knuckle (left)
	RU part name	рулевой поперечный тяга		RU part name	тормоза - дисковые межфлангового сустава
	Size:mm			Size:mm	22.5寸
	Weight:kg	11.5		Weight:kg	19
	NO.	NO.121-19		NO.	NO.121-21
Remarks:SHAC MAN 81.46701.6901			Remarks:SHAC MAN DZ9100410213 DZ9100410217		
KD2191			KD2192		
	Part No.	06.33719.0066		Part No.	DZ9100410212
	CH part name	滚针轴承		CH part name	盘式转向节RH
	EN part name	Needle bearing		EN part name	Disc brake knuckle (rig ht)
	RU part name	игольчатый подшипник		RU part name	тормоза - дисковые межфлангового сустава
	Size:mm			Size:mm	22.5寸
	Weight:kg	0.25		Weight:kg	19
	NO.	NO.121-22		NO.	NO.121-20
Remarks:SHAC MAN			Remarks:SHAC MAN DZ9100410214 DZ9100410218		
KD2193			KD2194		
	Part No.	81.90770.0096		Part No.	DZ9100410216
	CH part name	转向节主销垫片		CH part name	盘式转向节RH LH
	EN part name	Wsher		EN part name	Disc brake knuckle
	RU part name	прокладка		RU part name	тормоза - дисковые межфлангового сустава
	Size:mm			Size:mm	20寸
	Weight:kg	0.01		Weight:kg	19
	NO.	NO.121-23		NO.	NO.121-21
Remarks:SHAC MAN			Remarks:SHAC MAN DZ9100410215		
KD2195			KD2196		
	Part No.	81.96501.0671		Part No.	81.90712.6011
	CH part name	密封圈		CH part name	密封盘
	EN part name	Packing ring		EN part name	Seal disc
	RU part name	упаковка кольца		RU part name	уплотнение диска
	Size:mm			Size:mm	
	Weight:kg	0.006		Weight:kg	0.06
	NO.	NO.121-24		NO.	NO.121-25
Remarks:SHAC MAN			Remarks:SHAC MAN		





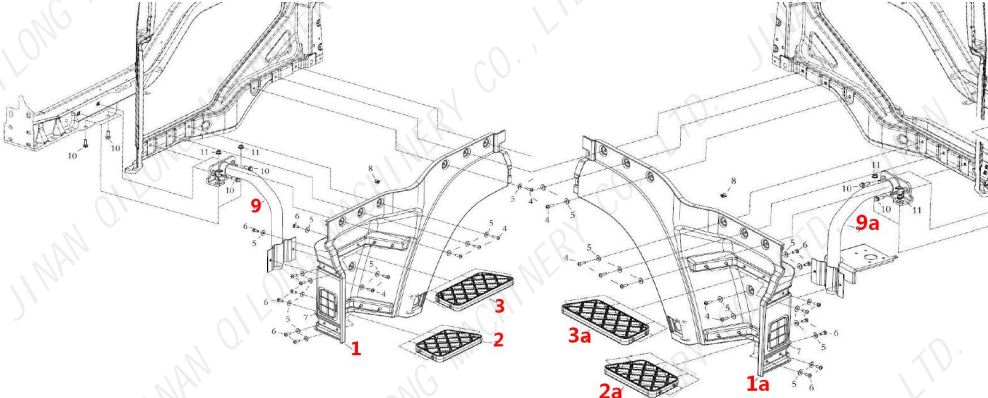


SHACMAN(1)

	<p>KD2197</p> <table border="1"> <tr><td>Part No.</td><td>06.56279.0273</td></tr> <tr><td>CH part name</td><td>转向节主销油封</td></tr> <tr><td>EN part name</td><td>oil seal</td></tr> <tr><td>RU part name</td><td>консервация</td></tr> <tr><td>Size:mm</td><td></td></tr> <tr><td>Weight:kg</td><td>0.02</td></tr> <tr><td>NO.</td><td>NO.121-26</td></tr> </table>	Part No.	06.56279.0273	CH part name	转向节主销油封	EN part name	oil seal	RU part name	консервация	Size:mm		Weight:kg	0.02	NO.	NO.121-26		<p>KD2198</p> <table border="1"> <tr><td>Part No.</td><td>81.46701.0243</td></tr> <tr><td>CH part name</td><td>转向梯形臂LH</td></tr> <tr><td>EN part name</td><td>Steering trapezium arm (left)</td></tr> <tr><td>RU part name</td><td>руководящий трапеции ARM (слева)</td></tr> <tr><td>Size:mm</td><td></td></tr> <tr><td>Weight:kg</td><td>3.8</td></tr> <tr><td>NO.</td><td>NO.121-28</td></tr> </table>	Part No.	81.46701.0243	CH part name	转向梯形臂LH	EN part name	Steering trapezium arm (left)	RU part name	руководящий трапеции ARM (слева)	Size:mm		Weight:kg	3.8	NO.	NO.121-28
Part No.	06.56279.0273																														
CH part name	转向节主销油封																														
EN part name	oil seal																														
RU part name	консервация																														
Size:mm																															
Weight:kg	0.02																														
NO.	NO.121-26																														
Part No.	81.46701.0243																														
CH part name	转向梯形臂LH																														
EN part name	Steering trapezium arm (left)																														
RU part name	руководящий трапеции ARM (слева)																														
Size:mm																															
Weight:kg	3.8																														
NO.	NO.121-28																														
Remarks:SHAC MAN		Remarks:SHAC MAN 81.46701.0283																													
	<p>KD2199</p> <table border="1"> <tr><td>Part No.</td><td>DZ9100410154</td></tr> <tr><td>CH part name</td><td>转向节臂LH</td></tr> <tr><td>EN part name</td><td>Steering knuckle arm LH</td></tr> <tr><td>RU part name</td><td>руководящий руку</td></tr> <tr><td>Size:mm</td><td></td></tr> <tr><td>Weight:kg</td><td>3.2</td></tr> <tr><td>NO.</td><td>NO.121-35</td></tr> </table>	Part No.	DZ9100410154	CH part name	转向节臂LH	EN part name	Steering knuckle arm LH	RU part name	руководящий руку	Size:mm		Weight:kg	3.2	NO.	NO.121-35		<p>KD2200</p> <table border="1"> <tr><td>Part No.</td><td>81.46701.0244</td></tr> <tr><td>CH part name</td><td>转向梯形臂RH</td></tr> <tr><td>EN part name</td><td>Steering trapezium arm (right)</td></tr> <tr><td>RU part name</td><td>руководящий трапеции ARM (право)</td></tr> <tr><td>Size:mm</td><td></td></tr> <tr><td>Weight:kg</td><td>3.8</td></tr> <tr><td>NO.</td><td>NO.121-29</td></tr> </table>	Part No.	81.46701.0244	CH part name	转向梯形臂RH	EN part name	Steering trapezium arm (right)	RU part name	руководящий трапеции ARM (право)	Size:mm		Weight:kg	3.8	NO.	NO.121-29
Part No.	DZ9100410154																														
CH part name	转向节臂LH																														
EN part name	Steering knuckle arm LH																														
RU part name	руководящий руку																														
Size:mm																															
Weight:kg	3.2																														
NO.	NO.121-35																														
Part No.	81.46701.0244																														
CH part name	转向梯形臂RH																														
EN part name	Steering trapezium arm (right)																														
RU part name	руководящий трапеции ARM (право)																														
Size:mm																															
Weight:kg	3.8																														
NO.	NO.121-29																														
Remarks:SHAC MAN		Remarks:SHAC MAN 81.46701.0284																													
Door hinge NO.122 X3000																															
			<p>KD2201</p> <table border="1"> <tr><td>Part No.</td><td>DZ14251210110</td></tr> <tr><td>CH part name</td><td>右车门上铰链</td></tr> <tr><td>EN part name</td><td>Door hinge</td></tr> <tr><td>RU part name</td><td>На двери шарнир</td></tr> <tr><td>Size:mm</td><td></td></tr> <tr><td>Weight:kg</td><td></td></tr> <tr><td>NO.</td><td>NO.122-1</td></tr> </table>	Part No.	DZ14251210110	CH part name	右车门上铰链	EN part name	Door hinge	RU part name	На двери шарнир	Size:mm		Weight:kg		NO.	NO.122-1														
Part No.	DZ14251210110																														
CH part name	右车门上铰链																														
EN part name	Door hinge																														
RU part name	На двери шарнир																														
Size:mm																															
Weight:kg																															
NO.	NO.122-1																														
		Remarks: SHAC MAN X3000																													
			<p>KD2202</p> <table border="1"> <tr><td>Part No.</td><td>DZ14251210090</td></tr> <tr><td>CH part name</td><td>左车门上铰链</td></tr> <tr><td>EN part name</td><td>Door hinge</td></tr> <tr><td>RU part name</td><td>На двери шарнир</td></tr> <tr><td>Size:mm</td><td></td></tr> <tr><td>Weight:kg</td><td></td></tr> <tr><td>NO.</td><td>NO.122-1</td></tr> </table>	Part No.	DZ14251210090	CH part name	左车门上铰链	EN part name	Door hinge	RU part name	На двери шарнир	Size:mm		Weight:kg		NO.	NO.122-1														
Part No.	DZ14251210090																														
CH part name	左车门上铰链																														
EN part name	Door hinge																														
RU part name	На двери шарнир																														
Size:mm																															
Weight:kg																															
NO.	NO.122-1																														
		Remarks: SHACMAN X3000																													





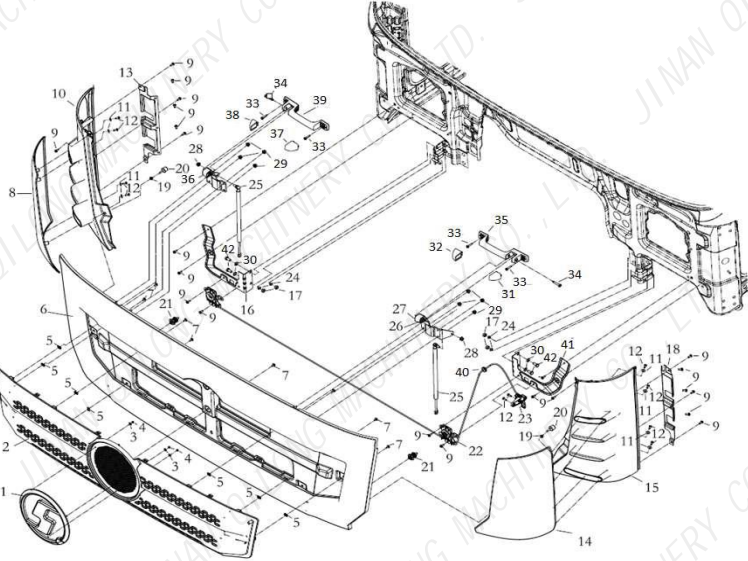


SHACMAN(1)

	<table border="1"> <tr><td>Part No.</td><td>DZ14251210120</td></tr> <tr><td>CH part name</td><td>右车门下铰链</td></tr> <tr><td>EN part name</td><td>Door hinge</td></tr> <tr><td>RU part name</td><td>На двери шарнир</td></tr> <tr><td>Size:mm</td><td></td></tr> <tr><td>Weight:kg</td><td></td></tr> <tr><td>NO.</td><td>NO.122-2</td></tr> </table>	Part No.	DZ14251210120	CH part name	右车门下铰链	EN part name	Door hinge	RU part name	На двери шарнир	Size:mm		Weight:kg		NO.	NO.122-2		<table border="1"> <tr><td>Part No.</td><td>DZ14251210100</td></tr> <tr><td>CH part name</td><td>左车门下铰链</td></tr> <tr><td>EN part name</td><td>Door hinge</td></tr> <tr><td>RU part name</td><td>На двери шарнир</td></tr> <tr><td>Size:mm</td><td></td></tr> <tr><td>Weight:kg</td><td></td></tr> <tr><td>NO.</td><td>NO.122-2</td></tr> </table>	Part No.	DZ14251210100	CH part name	左车门下铰链	EN part name	Door hinge	RU part name	На двери шарнир	Size:mm		Weight:kg		NO.	NO.122-2
Part No.	DZ14251210120																														
CH part name	右车门下铰链																														
EN part name	Door hinge																														
RU part name	На двери шарнир																														
Size:mm																															
Weight:kg																															
NO.	NO.122-2																														
Part No.	DZ14251210100																														
CH part name	左车门下铰链																														
EN part name	Door hinge																														
RU part name	На двери шарнир																														
Size:mm																															
Weight:kg																															
NO.	NO.122-2																														
Remarks: SHACMAN X3000		Remarks: SHACMAN X3000																													
	<table border="1"> <tr><td>Part No.</td><td>DZ14251230011</td></tr> <tr><td>CH part name</td><td>左前翼子板</td></tr> <tr><td>EN part name</td><td>Left front wing</td></tr> <tr><td>RU part name</td><td>Левое переднее крыло</td></tr> <tr><td>Size:mm</td><td></td></tr> <tr><td>Weight:kg</td><td></td></tr> <tr><td>NO.</td><td>NO.123-1</td></tr> </table>	Part No.	DZ14251230011	CH part name	左前翼子板	EN part name	Left front wing	RU part name	Левое переднее крыло	Size:mm		Weight:kg		NO.	NO.123-1		<table border="1"> <tr><td>Part No.</td><td>DZ14251230012</td></tr> <tr><td>CH part name</td><td>右前翼子板</td></tr> <tr><td>EN part name</td><td>Right front fender.</td></tr> <tr><td>RU part name</td><td>Право-переднее крыло дочерних лист</td></tr> <tr><td>Size:mm</td><td></td></tr> <tr><td>Weight:kg</td><td></td></tr> <tr><td>NO.</td><td>NO.123-1a</td></tr> </table>	Part No.	DZ14251230012	CH part name	右前翼子板	EN part name	Right front fender.	RU part name	Право-переднее крыло дочерних лист	Size:mm		Weight:kg		NO.	NO.123-1a
Part No.	DZ14251230011																														
CH part name	左前翼子板																														
EN part name	Left front wing																														
RU part name	Левое переднее крыло																														
Size:mm																															
Weight:kg																															
NO.	NO.123-1																														
Part No.	DZ14251230012																														
CH part name	右前翼子板																														
EN part name	Right front fender.																														
RU part name	Право-переднее крыло дочерних лист																														
Size:mm																															
Weight:kg																															
NO.	NO.123-1a																														
Remarks:SHACMAN X3000		Remarks:SHACMAN X3000																													
<p style="text-align: center;">Fender NO.123 X3000</p>																															
			<table border="1"> <tr><td>Part No.</td><td>DZ14251230015</td></tr> <tr><td>CH part name</td><td>左前挡泥板</td></tr> <tr><td>EN part name</td><td>Left front fender.</td></tr> <tr><td>RU part name</td><td>Левое переднее крыло</td></tr> <tr><td>Size:mm</td><td></td></tr> <tr><td>Weight:kg</td><td></td></tr> <tr><td>NO.</td><td>NO.123-2</td></tr> </table>	Part No.	DZ14251230015	CH part name	左前挡泥板	EN part name	Left front fender.	RU part name	Левое переднее крыло	Size:mm		Weight:kg		NO.	NO.123-2														
Part No.	DZ14251230015																														
CH part name	左前挡泥板																														
EN part name	Left front fender.																														
RU part name	Левое переднее крыло																														
Size:mm																															
Weight:kg																															
NO.	NO.123-2																														
Remarks:SHACMAN X3000		Remarks:SHACMAN X3000																													
			<table border="1"> <tr><td>Part No.</td><td>DZ14251230016</td></tr> <tr><td>CH part name</td><td>右前挡泥板</td></tr> <tr><td>EN part name</td><td>Right front fender.</td></tr> <tr><td>RU part name</td><td>Право-переднее крыло</td></tr> <tr><td>Size:mm</td><td></td></tr> <tr><td>Weight:kg</td><td></td></tr> <tr><td>NO.</td><td>NO.123-2a</td></tr> </table>	Part No.	DZ14251230016	CH part name	右前挡泥板	EN part name	Right front fender.	RU part name	Право-переднее крыло	Size:mm		Weight:kg		NO.	NO.123-2a														
Part No.	DZ14251230016																														
CH part name	右前挡泥板																														
EN part name	Right front fender.																														
RU part name	Право-переднее крыло																														
Size:mm																															
Weight:kg																															
NO.	NO.123-2a																														
Remarks:SHACMAN X3000		Remarks:SHACMAN X3000																													



SHACMAN(1)

	<table border="1"> <tr><td>Part No.</td><td>DZ14251230035/036</td></tr> <tr><td>CH part name</td><td>前翼子板紧固支架左</td></tr> <tr><td>EN part name</td><td>Fastening bracket (L)</td></tr> <tr><td>RU part name</td><td>Кронштейн крепления(L)</td></tr> <tr><td>Size:mm</td><td></td></tr> <tr><td>Weight:kg</td><td></td></tr> <tr><td>NO.</td><td>NO.123-11</td></tr> </table>	Part No.	DZ14251230035/036	CH part name	前翼子板紧固支架左	EN part name	Fastening bracket (L)	RU part name	Кронштейн крепления(L)	Size:mm		Weight:kg		NO.	NO.123-11		<table border="1"> <tr><td>Part No.</td><td>DZ14251230036</td></tr> <tr><td>CH part name</td><td>前翼子板紧固支架右</td></tr> <tr><td>EN part name</td><td>Fastening bracket (R)</td></tr> <tr><td>RU part name</td><td>Кронштейн крепления(R)</td></tr> <tr><td>Size:mm</td><td></td></tr> <tr><td>Weight:kg</td><td></td></tr> <tr><td>NO.</td><td>NO.123-11</td></tr> </table>	Part No.	DZ14251230036	CH part name	前翼子板紧固支架右	EN part name	Fastening bracket (R)	RU part name	Кронштейн крепления(R)	Size:mm		Weight:kg		NO.	NO.123-11
Part No.	DZ14251230035/036																														
CH part name	前翼子板紧固支架左																														
EN part name	Fastening bracket (L)																														
RU part name	Кронштейн крепления(L)																														
Size:mm																															
Weight:kg																															
NO.	NO.123-11																														
Part No.	DZ14251230036																														
CH part name	前翼子板紧固支架右																														
EN part name	Fastening bracket (R)																														
RU part name	Кронштейн крепления(R)																														
Size:mm																															
Weight:kg																															
NO.	NO.123-11																														
Remarks:SHACMAN X3000		Remarks:SHACMAN X3000																													
	<table border="1"> <tr><td>Part No.</td><td>DZ14251240012</td></tr> <tr><td>CH part name</td><td>右踏板本体</td></tr> <tr><td>EN part name</td><td>Right pedal body</td></tr> <tr><td>RU part name</td><td>Правой педали онтологии</td></tr> <tr><td>Size:mm</td><td></td></tr> <tr><td>Weight:kg</td><td></td></tr> <tr><td>NO.</td><td>NO.124-1a</td></tr> </table>	Part No.	DZ14251240012	CH part name	右踏板本体	EN part name	Right pedal body	RU part name	Правой педали онтологии	Size:mm		Weight:kg		NO.	NO.124-1a		<table border="1"> <tr><td>Part No.</td><td>DZ142512400121</td></tr> <tr><td>CH part name</td><td>左踏板本体</td></tr> <tr><td>EN part name</td><td>Left pedal body</td></tr> <tr><td>RU part name</td><td>Левый педаль онтологии</td></tr> <tr><td>Size:mm</td><td></td></tr> <tr><td>Weight:kg</td><td></td></tr> <tr><td>NO.</td><td>NO.124-1</td></tr> </table>	Part No.	DZ142512400121	CH part name	左踏板本体	EN part name	Left pedal body	RU part name	Левый педаль онтологии	Size:mm		Weight:kg		NO.	NO.124-1
Part No.	DZ14251240012																														
CH part name	右踏板本体																														
EN part name	Right pedal body																														
RU part name	Правой педали онтологии																														
Size:mm																															
Weight:kg																															
NO.	NO.124-1a																														
Part No.	DZ142512400121																														
CH part name	左踏板本体																														
EN part name	Left pedal body																														
RU part name	Левый педаль онтологии																														
Size:mm																															
Weight:kg																															
NO.	NO.124-1																														
Remarks:SHACMAN X3000		Remarks:SHACMAN X3000																													
<p style="text-align: center;">Get on the car pedal NO.124 X3000</p>																															
			<table border="1"> <tr><td>Part No.</td><td>DZ14251240030</td></tr> <tr><td>CH part name</td><td>踏板支架焊接总成</td></tr> <tr><td>EN part name</td><td>Left pedal support</td></tr> <tr><td>RU part name</td><td>Кронштейн педали левой</td></tr> <tr><td>Size:mm</td><td></td></tr> <tr><td>Weight:kg</td><td></td></tr> <tr><td>NO.</td><td>NO.124-9-9a</td></tr> </table>	Part No.	DZ14251240030	CH part name	踏板支架焊接总成	EN part name	Left pedal support	RU part name	Кронштейн педали левой	Size:mm		Weight:kg		NO.	NO.124-9-9a														
Part No.	DZ14251240030																														
CH part name	踏板支架焊接总成																														
EN part name	Left pedal support																														
RU part name	Кронштейн педали левой																														
Size:mm																															
Weight:kg																															
NO.	NO.124-9-9a																														
Remarks:SHACMAN X3000		Remarks:SHACMAN X3000																													
			<table border="1"> <tr><td>Part No.</td><td>DZ14251240013</td></tr> <tr><td>CH part name</td><td>二级踏板</td></tr> <tr><td>EN part name</td><td>The secondary pedal</td></tr> <tr><td>RU part name</td><td>Второй педаль</td></tr> <tr><td>Size:mm</td><td></td></tr> <tr><td>Weight:kg</td><td></td></tr> <tr><td>NO.</td><td>NO.124-2-2a</td></tr> </table>	Part No.	DZ14251240013	CH part name	二级踏板	EN part name	The secondary pedal	RU part name	Второй педаль	Size:mm		Weight:kg		NO.	NO.124-2-2a														
Part No.	DZ14251240013																														
CH part name	二级踏板																														
EN part name	The secondary pedal																														
RU part name	Второй педаль																														
Size:mm																															
Weight:kg																															
NO.	NO.124-2-2a																														
Remarks:SHACMAN X3000		Remarks:SHACMAN X3000																													

SHACMAN(1)

	<table border="1"> <tr><td>Part No.</td><td>DZ14251240014</td></tr> <tr><td>CH part name</td><td>三级踏板</td></tr> <tr><td>EN part name</td><td>Level 3 pedals</td></tr> <tr><td>RU part name</td><td>Трехступенчатая педаль</td></tr> <tr><td>Size:mm</td><td></td></tr> <tr><td>Weight:kg</td><td></td></tr> <tr><td>NO.</td><td>NO.124-3-3a</td></tr> </table>	Part No.	DZ14251240014	CH part name	三级踏板	EN part name	Level 3 pedals	RU part name	Трехступенчатая педаль	Size:mm		Weight:kg		NO.	NO.124-3-3a		<table border="1"> <tr><td>Part No.</td><td>DZ142512400145</td></tr> <tr><td>CH part name</td><td>大灯维修口盖</td></tr> <tr><td>EN part name</td><td>Headlamp maintenance cover.</td></tr> <tr><td>RU part name</td><td>Фара ремонт Люк</td></tr> <tr><td>Size:mm</td><td></td></tr> <tr><td>Weight:kg</td><td></td></tr> <tr><td>NO.</td><td>NO.124-7</td></tr> </table>	Part No.	DZ142512400145	CH part name	大灯维修口盖	EN part name	Headlamp maintenance cover.	RU part name	Фара ремонт Люк	Size:mm		Weight:kg		NO.	NO.124-7
Part No.	DZ14251240014																														
CH part name	三级踏板																														
EN part name	Level 3 pedals																														
RU part name	Трехступенчатая педаль																														
Size:mm																															
Weight:kg																															
NO.	NO.124-3-3a																														
Part No.	DZ142512400145																														
CH part name	大灯维修口盖																														
EN part name	Headlamp maintenance cover.																														
RU part name	Фара ремонт Люк																														
Size:mm																															
Weight:kg																															
NO.	NO.124-7																														
Remarks:SHACMAN X3000		Remarks:SHACMAN X3000																													
	<table border="1"> <tr><td>Part No.</td><td>DZ14251950001</td></tr> <tr><td>CH part name</td><td>陕汽 LOGO</td></tr> <tr><td>EN part name</td><td>Shan steam LOGO</td></tr> <tr><td>RU part name</td><td>Папа Shan LOGO</td></tr> <tr><td>Size:mm</td><td></td></tr> <tr><td>Weight:kg</td><td></td></tr> <tr><td>NO.</td><td>NO.125-1</td></tr> </table>	Part No.	DZ14251950001	CH part name	陕汽 LOGO	EN part name	Shan steam LOGO	RU part name	Папа Shan LOGO	Size:mm		Weight:kg		NO.	NO.125-1		<table border="1"> <tr><td>Part No.</td><td>DZ14251110021</td></tr> <tr><td>CH part name</td><td>散热器面罩格栅</td></tr> <tr><td>EN part name</td><td>Mask's tent</td></tr> <tr><td>RU part name</td><td>Маска падеж сарай</td></tr> <tr><td>Size:mm</td><td></td></tr> <tr><td>Weight:kg</td><td></td></tr> <tr><td>NO.</td><td>NO.125-2</td></tr> </table>	Part No.	DZ14251110021	CH part name	散热器面罩格栅	EN part name	Mask's tent	RU part name	Маска падеж сарай	Size:mm		Weight:kg		NO.	NO.125-2
Part No.	DZ14251950001																														
CH part name	陕汽 LOGO																														
EN part name	Shan steam LOGO																														
RU part name	Папа Shan LOGO																														
Size:mm																															
Weight:kg																															
NO.	NO.125-1																														
Part No.	DZ14251110021																														
CH part name	散热器面罩格栅																														
EN part name	Mask's tent																														
RU part name	Маска падеж сарай																														
Size:mm																															
Weight:kg																															
NO.	NO.125-2																														
Remarks:SHACMAN		Remarks:SHACMAN X3000																													
<p style="text-align: center;">Get on the car pedal NO.125 X3000</p>																															
			<table border="1"> <tr><td>Part No.</td><td>DZ14251110011</td></tr> <tr><td>CH part name</td><td>散热器面罩</td></tr> <tr><td>EN part name</td><td>Radiator mask</td></tr> <tr><td>RU part name</td><td>Радиатор маска</td></tr> <tr><td>Size:mm</td><td></td></tr> <tr><td>Weight:kg</td><td></td></tr> <tr><td>NO.</td><td>NO.125-6</td></tr> </table>	Part No.	DZ14251110011	CH part name	散热器面罩	EN part name	Radiator mask	RU part name	Радиатор маска	Size:mm		Weight:kg		NO.	NO.125-6														
Part No.	DZ14251110011																														
CH part name	散热器面罩																														
EN part name	Radiator mask																														
RU part name	Радиатор маска																														
Size:mm																															
Weight:kg																															
NO.	NO.125-6																														
Remarks:SHACMAN X3000		Remarks:SHACMAN X3000																													
			<table border="1"> <tr><td>Part No.</td><td>DZ14251110064</td></tr> <tr><td>CH part name</td><td>右侧扰流角板外板</td></tr> <tr><td>EN part name</td><td>Right side spoiler board.</td></tr> <tr><td>RU part name</td><td>Правый угол турбулентности лист обшивки</td></tr> <tr><td>Size:mm</td><td></td></tr> <tr><td>Weight:kg</td><td></td></tr> <tr><td>NO.</td><td>NO.125-6</td></tr> </table>	Part No.	DZ14251110064	CH part name	右侧扰流角板外板	EN part name	Right side spoiler board.	RU part name	Правый угол турбулентности лист обшивки	Size:mm		Weight:kg		NO.	NO.125-6														
Part No.	DZ14251110064																														
CH part name	右侧扰流角板外板																														
EN part name	Right side spoiler board.																														
RU part name	Правый угол турбулентности лист обшивки																														
Size:mm																															
Weight:kg																															
NO.	NO.125-6																														
Remarks:SHACMAN X3000		Remarks:SHACMAN X3000																													





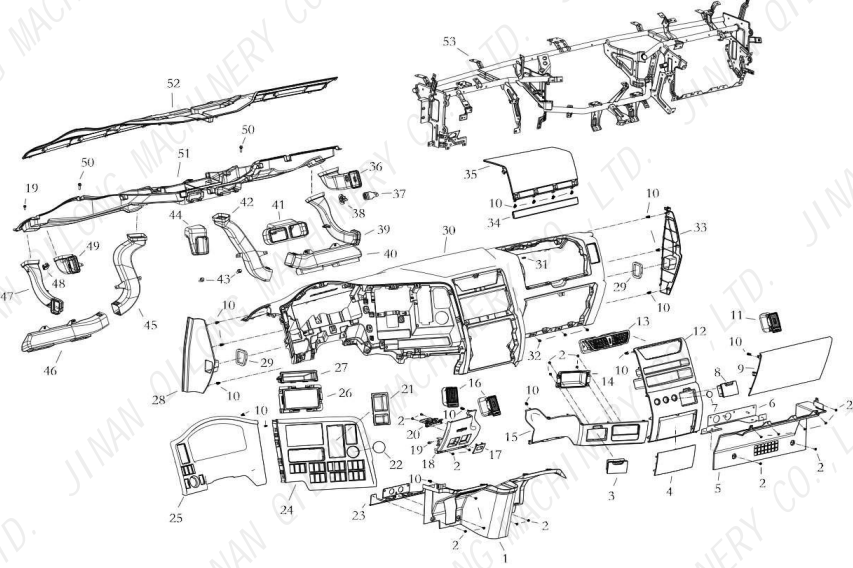


SHACMAN(1)

	<table border="1"> <tr><td>Part No.</td><td>DZ14251110060</td></tr> <tr><td>CH part name</td><td>左侧扰流角板外板</td></tr> <tr><td>EN part name</td><td>Left spoiler board.</td></tr> <tr><td>RU part name</td><td>Слева турбулентность косынка обшивки</td></tr> <tr><td>Size:mm</td><td></td></tr> <tr><td>Weight:kg</td><td></td></tr> <tr><td>NO.</td><td>NO.125-14</td></tr> </table>	Part No.	DZ14251110060	CH part name	左侧扰流角板外板	EN part name	Left spoiler board.	RU part name	Слева турбулентность косынка обшивки	Size:mm		Weight:kg		NO.	NO.125-14		<table border="1"> <tr><td>Part No.</td><td>DZ14251110063</td></tr> <tr><td>CH part name</td><td>右侧扰流角板内板</td></tr> <tr><td>EN part name</td><td>Right side spoiler board.</td></tr> <tr><td>RU part name</td><td>Правый угол турбулентности лист в лист</td></tr> <tr><td>Size:mm</td><td></td></tr> <tr><td>Weight:kg</td><td></td></tr> <tr><td>NO.</td><td>NO.125-10</td></tr> </table>	Part No.	DZ14251110063	CH part name	右侧扰流角板内板	EN part name	Right side spoiler board.	RU part name	Правый угол турбулентности лист в лист	Size:mm		Weight:kg		NO.	NO.125-10
Part No.	DZ14251110060																														
CH part name	左侧扰流角板外板																														
EN part name	Left spoiler board.																														
RU part name	Слева турбулентность косынка обшивки																														
Size:mm																															
Weight:kg																															
NO.	NO.125-14																														
Part No.	DZ14251110063																														
CH part name	右侧扰流角板内板																														
EN part name	Right side spoiler board.																														
RU part name	Правый угол турбулентности лист в лист																														
Size:mm																															
Weight:kg																															
NO.	NO.125-10																														
Remarks:SHACMAN X3000		Remarks:SHACMAN X3000																													
	<table border="1"> <tr><td>Part No.</td><td>DZ14251110058</td></tr> <tr><td>CH part name</td><td>左侧扰流角板内板</td></tr> <tr><td>EN part name</td><td>On the left side spoiler board.</td></tr> <tr><td>RU part name</td><td>Левый угол турбулентности лист в лист</td></tr> <tr><td>Size:mm</td><td></td></tr> <tr><td>Weight:kg</td><td></td></tr> <tr><td>NO.</td><td>NO.125-15</td></tr> </table>	Part No.	DZ14251110058	CH part name	左侧扰流角板内板	EN part name	On the left side spoiler board.	RU part name	Левый угол турбулентности лист в лист	Size:mm		Weight:kg		NO.	NO.125-15		<table border="1"> <tr><td>Part No.</td><td>DZ14251110072/70</td></tr> <tr><td>CH part name</td><td>面罩锁右支架</td></tr> <tr><td>EN part name</td><td>Mask lock the right bracket.</td></tr> <tr><td>RU part name</td><td>Маска замок правый опора</td></tr> <tr><td>Size:mm</td><td></td></tr> <tr><td>Weight:kg</td><td></td></tr> <tr><td>NO.</td><td>NO.125-16</td></tr> </table>	Part No.	DZ14251110072/70	CH part name	面罩锁右支架	EN part name	Mask lock the right bracket.	RU part name	Маска замок правый опора	Size:mm		Weight:kg		NO.	NO.125-16
Part No.	DZ14251110058																														
CH part name	左侧扰流角板内板																														
EN part name	On the left side spoiler board.																														
RU part name	Левый угол турбулентности лист в лист																														
Size:mm																															
Weight:kg																															
NO.	NO.125-15																														
Part No.	DZ14251110072/70																														
CH part name	面罩锁右支架																														
EN part name	Mask lock the right bracket.																														
RU part name	Маска замок правый опора																														
Size:mm																															
Weight:kg																															
NO.	NO.125-16																														
Remarks:SHACMAN X3000		Remarks:SHACMAN X3000																													
	<table border="1"> <tr><td>Part No.</td><td>DZ14251110065</td></tr> <tr><td>CH part name</td><td>右侧扰流角板安装板</td></tr> <tr><td>EN part name</td><td>Mounting plate</td></tr> <tr><td>RU part name</td><td>Установить панель</td></tr> <tr><td>Size:mm</td><td></td></tr> <tr><td>Weight:kg</td><td></td></tr> <tr><td>NO.</td><td>NO.125-13</td></tr> </table>	Part No.	DZ14251110065	CH part name	右侧扰流角板安装板	EN part name	Mounting plate	RU part name	Установить панель	Size:mm		Weight:kg		NO.	NO.125-13		<table border="1"> <tr><td>Part No.</td><td>DZ14251110061</td></tr> <tr><td>CH part name</td><td>左侧扰流角板安装板</td></tr> <tr><td>EN part name</td><td>Mounting plate</td></tr> <tr><td>RU part name</td><td>Установить панель</td></tr> <tr><td>Size:mm</td><td></td></tr> <tr><td>Weight:kg</td><td></td></tr> <tr><td>NO.</td><td>NO.125-18</td></tr> </table>	Part No.	DZ14251110061	CH part name	左侧扰流角板安装板	EN part name	Mounting plate	RU part name	Установить панель	Size:mm		Weight:kg		NO.	NO.125-18
Part No.	DZ14251110065																														
CH part name	右侧扰流角板安装板																														
EN part name	Mounting plate																														
RU part name	Установить панель																														
Size:mm																															
Weight:kg																															
NO.	NO.125-13																														
Part No.	DZ14251110061																														
CH part name	左侧扰流角板安装板																														
EN part name	Mounting plate																														
RU part name	Установить панель																														
Size:mm																															
Weight:kg																															
NO.	NO.125-18																														
Remarks:SHACMAN X3000		Remarks:SHACMAN X3000																													
	<table border="1"> <tr><td>Part No.</td><td>DZ14251110030</td></tr> <tr><td>CH part name</td><td>扰流角板缓冲块总成</td></tr> <tr><td>EN part name</td><td>Buffer block assembly</td></tr> <tr><td>RU part name</td><td>Буфер блок в сборе</td></tr> <tr><td>Size:mm</td><td></td></tr> <tr><td>Weight:kg</td><td></td></tr> <tr><td>NO.</td><td>NO.125-20</td></tr> </table>	Part No.	DZ14251110030	CH part name	扰流角板缓冲块总成	EN part name	Buffer block assembly	RU part name	Буфер блок в сборе	Size:mm		Weight:kg		NO.	NO.125-20		<table border="1"> <tr><td>Part No.</td><td>SZ111000711</td></tr> <tr><td>CH part name</td><td>面罩锁锁头</td></tr> <tr><td>EN part name</td><td>Mask lock</td></tr> <tr><td>RU part name</td><td>Маска замок SuoTou</td></tr> <tr><td>Size:mm</td><td></td></tr> <tr><td>Weight:kg</td><td></td></tr> <tr><td>NO.</td><td>NO.125-21</td></tr> </table>	Part No.	SZ111000711	CH part name	面罩锁锁头	EN part name	Mask lock	RU part name	Маска замок SuoTou	Size:mm		Weight:kg		NO.	NO.125-21
Part No.	DZ14251110030																														
CH part name	扰流角板缓冲块总成																														
EN part name	Buffer block assembly																														
RU part name	Буфер блок в сборе																														
Size:mm																															
Weight:kg																															
NO.	NO.125-20																														
Part No.	SZ111000711																														
CH part name	面罩锁锁头																														
EN part name	Mask lock																														
RU part name	Маска замок SuoTou																														
Size:mm																															
Weight:kg																															
NO.	NO.125-21																														
Remarks:SHACMAN X3000		Remarks:SHACMAN X3000 新M3000																													








SHACMAN(1)

	Part No. CH part name EN part name RU part name Size:mm Weight:kg NO.	DZ14251110080 面罩锁座及拉杆总成 Mask lock seat and tie rod assembly. Маска замок замок седло и тяга в сборе 0.65 NO.125-22		Part No. CH part name EN part name RU part name Size:mm Weight:kg NO.	DZ14251110075 面罩锁拉手柄 Mask lock handle. Маска замок потяните ручку 0.25 NO.125-23
Remarks:SHACMAN X3000			Remarks:SHACMAN X3000		
	Part No. CH part name EN part name RU part name Size:mm Weight:kg NO.	DZ14251110051 限位块 Limit block Упорный блок 0.1 NO.125-26		Part No. CH part name EN part name RU part name Size:mm Weight:kg NO.	DZ14251110040 气弹簧总成 Gas spring assembly Газ пружина в сборе 625*20*20 0.2 NO.125-25
Remarks:SHACMAN X3000			Remarks:SHACMAN X3000		
	Part No. CH part name EN part name RU part name Size:mm Weight:kg NO.	DZ14251110050 前面罩左铰链 Front face mask left hinge. Бывший маска левая петля NO.125-27		Part No. CH part name EN part name RU part name Size:mm Weight:kg NO.	DZ14251110056 前面罩右铰链 Front face mask right hinge. Бывший маска правая петля NO.125-36
Remarks:SHACMAN X3000			Remarks:SHACMAN X3000		
	Part No. CH part name EN part name RU part name Size:mm Weight:kg NO.	DZ14251110043 前面罩左把手总成 Front left handle assembly. Бывший маска левая ручка в сборе 0.155 NO.125-35		Part No. CH part name EN part name RU part name Size:mm Weight:kg NO.	DZ14251110052 前面罩右把手总成 Front mask right handle assembly. Бывший маска правая ручка в сборе 0.155 NO.125-39
Remarks:SHACMAN X3000			Remarks:SHACMAN X3000		





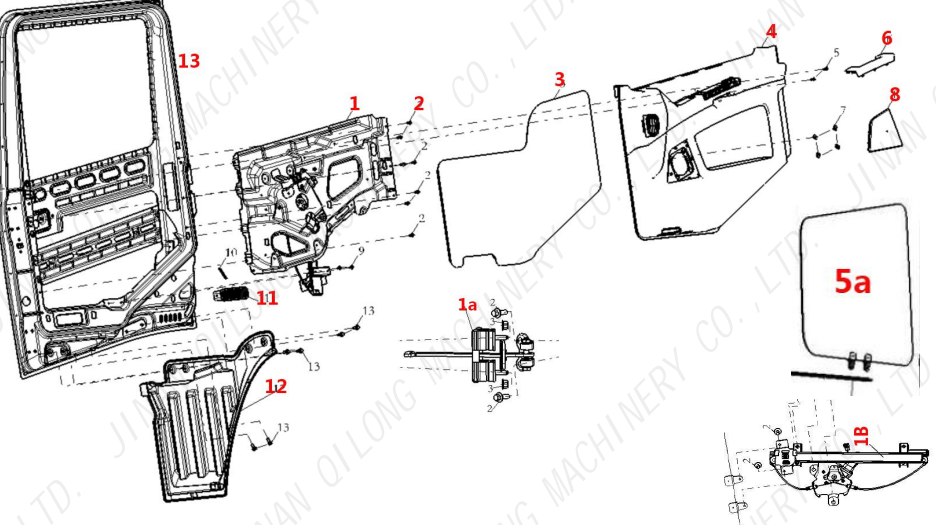


SHACMAN(1)

	<table border="1"> <tr><td>Part No.</td><td>DZ14251160260</td></tr> <tr><td>CH part name</td><td>左侧膝部护板</td></tr> <tr><td>EN part name</td><td>Left knee protector.</td></tr> <tr><td>RU part name</td><td>Слева коленей щит</td></tr> <tr><td>Size:mm</td><td></td></tr> <tr><td>Weight:kg</td><td></td></tr> <tr><td>NO.</td><td>NO.126-18</td></tr> </table>	Part No.	DZ14251160260	CH part name	左侧膝部护板	EN part name	Left knee protector.	RU part name	Слева коленей щит	Size:mm		Weight:kg		NO.	NO.126-18		<table border="1"> <tr><td>Part No.</td><td>DZ13241162700</td></tr> <tr><td>CH part name</td><td>烟灰缸总成</td></tr> <tr><td>EN part name</td><td>Ashtray assembly.</td></tr> <tr><td>RU part name</td><td>Пепельница в сборе</td></tr> <tr><td>Size:mm</td><td></td></tr> <tr><td>Weight:kg</td><td></td></tr> <tr><td>NO.</td><td>NO.126-3</td></tr> </table>	Part No.	DZ13241162700	CH part name	烟灰缸总成	EN part name	Ashtray assembly.	RU part name	Пепельница в сборе	Size:mm		Weight:kg		NO.	NO.126-3
Part No.	DZ14251160260																														
CH part name	左侧膝部护板																														
EN part name	Left knee protector.																														
RU part name	Слева коленей щит																														
Size:mm																															
Weight:kg																															
NO.	NO.126-18																														
Part No.	DZ13241162700																														
CH part name	烟灰缸总成																														
EN part name	Ashtray assembly.																														
RU part name	Пепельница в сборе																														
Size:mm																															
Weight:kg																															
NO.	NO.126-3																														
Remarks:SHACMAN X3000		Remarks:SHACMAN																													
	<table border="1"> <tr><td>Part No.</td><td>DZ14251160290</td></tr> <tr><td>CH part name</td><td>右侧下护板</td></tr> <tr><td>EN part name</td><td>Right lower protector</td></tr> <tr><td>RU part name</td><td>Правый нижний щит</td></tr> <tr><td>Size:mm</td><td></td></tr> <tr><td>Weight:kg</td><td></td></tr> <tr><td>NO.</td><td>NO.126-5</td></tr> </table>	Part No.	DZ14251160290	CH part name	右侧下护板	EN part name	Right lower protector	RU part name	Правый нижний щит	Size:mm		Weight:kg		NO.	NO.126-5		<table border="1"> <tr><td>Part No.</td><td>DZ14251160150</td></tr> <tr><td>CH part name</td><td>继电器盒检修盖板总成</td></tr> <tr><td>EN part name</td><td>Relay box cover</td></tr> <tr><td>RU part name</td><td>Коробка реле</td></tr> <tr><td>Size:mm</td><td></td></tr> <tr><td>Weight:kg</td><td></td></tr> <tr><td>NO.</td><td>NO.126-35</td></tr> </table>	Part No.	DZ14251160150	CH part name	继电器盒检修盖板总成	EN part name	Relay box cover	RU part name	Коробка реле	Size:mm		Weight:kg		NO.	NO.126-35
Part No.	DZ14251160290																														
CH part name	右侧下护板																														
EN part name	Right lower protector																														
RU part name	Правый нижний щит																														
Size:mm																															
Weight:kg																															
NO.	NO.126-5																														
Part No.	DZ14251160150																														
CH part name	继电器盒检修盖板总成																														
EN part name	Relay box cover																														
RU part name	Коробка реле																														
Size:mm																															
Weight:kg																															
NO.	NO.126-35																														
Remarks:SHACMAN X3000		Remarks:SHACMAN X3000																													
DASHBOARD NO.126 X3000																															
			<table border="1"> <tr><td>Part No.</td><td>DZ14251160140</td></tr> <tr><td>CH part name</td><td>中间面板总成</td></tr> <tr><td>EN part name</td><td>Intermediate panel assembly</td></tr> <tr><td>RU part name</td><td>Промежуточный панели в сборе</td></tr> <tr><td>Size:mm</td><td></td></tr> <tr><td>Weight:kg</td><td></td></tr> <tr><td>NO.</td><td>NO.126-12</td></tr> </table>	Part No.	DZ14251160140	CH part name	中间面板总成	EN part name	Intermediate panel assembly	RU part name	Промежуточный панели в сборе	Size:mm		Weight:kg		NO.	NO.126-12														
Part No.	DZ14251160140																														
CH part name	中间面板总成																														
EN part name	Intermediate panel assembly																														
RU part name	Промежуточный панели в сборе																														
Size:mm																															
Weight:kg																															
NO.	NO.126-12																														
Remarks:SHACMAN X3000		Remarks:SHACMAN X3000																													
		<table border="1"> <tr><td>Part No.</td><td>DZ14251160280</td></tr> <tr><td>CH part name</td><td>工作台左侧下护板总成</td></tr> <tr><td>EN part name</td><td>Right lower protector</td></tr> <tr><td>RU part name</td><td>Правый нижний щит</td></tr> <tr><td>Size:mm</td><td></td></tr> <tr><td>Weight:kg</td><td></td></tr> <tr><td>NO.</td><td>NO.126-1</td></tr> </table>	Part No.	DZ14251160280	CH part name	工作台左侧下护板总成	EN part name	Right lower protector	RU part name	Правый нижний щит	Size:mm		Weight:kg		NO.	NO.126-1	<table border="1"> <tr><td>Part No.</td><td>DZ14251160280</td></tr> <tr><td>CH part name</td><td>工作台左侧下护板总成</td></tr> <tr><td>EN part name</td><td>Right lower protector</td></tr> <tr><td>RU part name</td><td>Правый нижний щит</td></tr> <tr><td>Size:mm</td><td></td></tr> <tr><td>Weight:kg</td><td></td></tr> <tr><td>NO.</td><td>NO.126-1</td></tr> </table>	Part No.	DZ14251160280	CH part name	工作台左侧下护板总成	EN part name	Right lower protector	RU part name	Правый нижний щит	Size:mm		Weight:kg		NO.	NO.126-1
Part No.	DZ14251160280																														
CH part name	工作台左侧下护板总成																														
EN part name	Right lower protector																														
RU part name	Правый нижний щит																														
Size:mm																															
Weight:kg																															
NO.	NO.126-1																														
Part No.	DZ14251160280																														
CH part name	工作台左侧下护板总成																														
EN part name	Right lower protector																														
RU part name	Правый нижний щит																														
Size:mm																															
Weight:kg																															
NO.	NO.126-1																														
Remarks:SHACMAN X3000		Remarks:SHACMAN X3000																													







SHACMAN(1)

	Part No. CH part name EN part name RU part name Size:mm Weight:kg NO.	KD2243 DZ14251160100 仪表板本体总成 Dashboard ontology assembly. Приборная панель субстанция в сборе NO.126-30		KD2244 DZ14251160120 组合仪表表面罩总成 Combined instrument mask assembly. Комбинированный прибор маска в сборе NO.126-25
Remarks:SHACMAN X3000		Remarks:SHACMAN X3000		
	Part No. CH part name EN part name RU part name Size:mm Weight:kg NO.	KD2245 DZ14251160130 控制面板总成 Control panel assembly Панель управления в сборе NO.126-24		KD2246 DZ14251160310 右端板总成 Right end plate assembly Правую панель в сборе NO.126-33
Remarks:SHACMAN X3000		Remarks:SHACMAN		
	Part No. CH part name EN part name RU part name Size:mm Weight:kg NO.	KD2247 DZ14251160350 仪表板安装横梁总成 Beam assembly Ферма в сборе NO.126-35		KD2248 DZ14251160300 左端板总成 Left end plate assembly Левый лист в сборе NO.126-28
Remarks:SHACMAN		Remarks:SHACMAN		
	Part No. CH part name EN part name RU part name Size:mm Weight:kg NO.	KD2249 DZ14251330130 右车门限位器总成 Right car door limiter. Двери справа ограничитель NO.127-1a		KD2250 DZ14251330120 左车门限位器总成 Left door limiter. Левый кромсать ограничитель NO.127-1a
Remarks:SHACMAN		Remarks:SHACMAN		

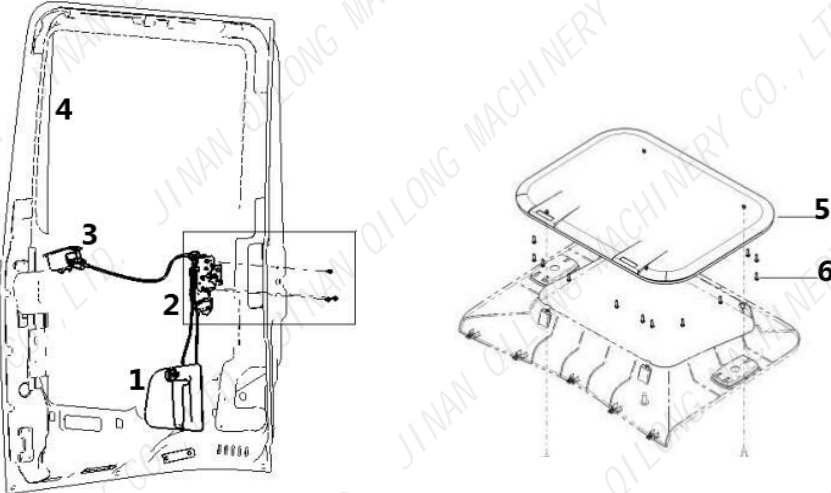


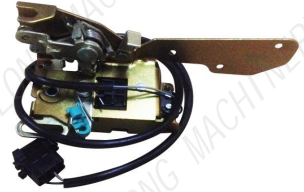


SHACMAN(1)

	<p>KD2251</p> <table border="1"> <tr><td>Part No.</td><td>DZ14251330031</td></tr> <tr><td>CH part name</td><td>左车门玻璃升降器</td></tr> <tr><td>EN part name</td><td>Glass elevator.</td></tr> <tr><td>RU part name</td><td>Стекло усилитель</td></tr> <tr><td>Size:mm</td><td></td></tr> <tr><td>Weight:kg</td><td></td></tr> <tr><td>NO.</td><td>NO.127-1B</td></tr> </table>	Part No.	DZ14251330031	CH part name	左车门玻璃升降器	EN part name	Glass elevator.	RU part name	Стекло усилитель	Size:mm		Weight:kg		NO.	NO.127-1B		<p>KD2252</p> <table border="1"> <tr><td>Part No.</td><td>DZ14251330032</td></tr> <tr><td>CH part name</td><td>右车门玻璃升降器</td></tr> <tr><td>EN part name</td><td>Glass elevator.</td></tr> <tr><td>RU part name</td><td>Стекло усилитель</td></tr> <tr><td>Size:mm</td><td></td></tr> <tr><td>Weight:kg</td><td></td></tr> <tr><td>NO.</td><td>NO.127-1B</td></tr> </table>	Part No.	DZ14251330032	CH part name	右车门玻璃升降器	EN part name	Glass elevator.	RU part name	Стекло усилитель	Size:mm		Weight:kg		NO.	NO.127-1B
Part No.	DZ14251330031																														
CH part name	左车门玻璃升降器																														
EN part name	Glass elevator.																														
RU part name	Стекло усилитель																														
Size:mm																															
Weight:kg																															
NO.	NO.127-1B																														
Part No.	DZ14251330032																														
CH part name	右车门玻璃升降器																														
EN part name	Glass elevator.																														
RU part name	Стекло усилитель																														
Size:mm																															
Weight:kg																															
NO.	NO.127-1B																														
Remarks:SHACMAN X3000		Remarks:SHACMAN X3000																													
	<p>KD2253</p> <table border="1"> <tr><td>Part No.</td><td>DZ14251330041</td></tr> <tr><td>CH part name</td><td>升降器安装板</td></tr> <tr><td>EN part name</td><td>Lift mounting plate.</td></tr> <tr><td>RU part name</td><td>Усилитель установить панель</td></tr> <tr><td>Size:mm</td><td></td></tr> <tr><td>Weight:kg</td><td></td></tr> <tr><td>NO.</td><td>NO.127-1</td></tr> </table>	Part No.	DZ14251330041	CH part name	升降器安装板	EN part name	Lift mounting plate.	RU part name	Усилитель установить панель	Size:mm		Weight:kg		NO.	NO.127-1		<p>KD2254</p> <table border="1"> <tr><td>Part No.</td><td>DZ14251330042</td></tr> <tr><td>CH part name</td><td>升降器安装板</td></tr> <tr><td>EN part name</td><td>Lift mounting plate.</td></tr> <tr><td>RU part name</td><td>Усилитель установить панель</td></tr> <tr><td>Size:mm</td><td></td></tr> <tr><td>Weight:kg</td><td></td></tr> <tr><td>NO.</td><td>NO.127-1</td></tr> </table>	Part No.	DZ14251330042	CH part name	升降器安装板	EN part name	Lift mounting plate.	RU part name	Усилитель установить панель	Size:mm		Weight:kg		NO.	NO.127-1
Part No.	DZ14251330041																														
CH part name	升降器安装板																														
EN part name	Lift mounting plate.																														
RU part name	Усилитель установить панель																														
Size:mm																															
Weight:kg																															
NO.	NO.127-1																														
Part No.	DZ14251330042																														
CH part name	升降器安装板																														
EN part name	Lift mounting plate.																														
RU part name	Усилитель установить панель																														
Size:mm																															
Weight:kg																															
NO.	NO.127-1																														
Remarks:SHACMAN X3000		Remarks:SHACMAN																													
<p>The door part</p>		<p>NO.127 X3000</p>																													
			<p>KD2255</p> <table border="1"> <tr><td>Part No.</td><td>DZ14251330062</td></tr> <tr><td>CH part name</td><td>右车门内护板总成</td></tr> <tr><td>EN part name</td><td>Right door panel.</td></tr> <tr><td>RU part name</td><td>Двери справа в щит</td></tr> <tr><td>Size:mm</td><td></td></tr> <tr><td>Weight:kg</td><td></td></tr> <tr><td>NO.</td><td>NO.127-4</td></tr> </table>	Part No.	DZ14251330062	CH part name	右车门内护板总成	EN part name	Right door panel.	RU part name	Двери справа в щит	Size:mm		Weight:kg		NO.	NO.127-4														
Part No.	DZ14251330062																														
CH part name	右车门内护板总成																														
EN part name	Right door panel.																														
RU part name	Двери справа в щит																														
Size:mm																															
Weight:kg																															
NO.	NO.127-4																														
		Remarks:SHACMAN X3000																													
			<p>KD2256</p> <table border="1"> <tr><td>Part No.</td><td>DZ14251330061</td></tr> <tr><td>CH part name</td><td>左车门内护板总成</td></tr> <tr><td>EN part name</td><td>Left door panel.</td></tr> <tr><td>RU part name</td><td>В левой двери щит</td></tr> <tr><td>Size:mm</td><td></td></tr> <tr><td>Weight:kg</td><td></td></tr> <tr><td>NO.</td><td>NO.127-4</td></tr> </table>	Part No.	DZ14251330061	CH part name	左车门内护板总成	EN part name	Left door panel.	RU part name	В левой двери щит	Size:mm		Weight:kg		NO.	NO.127-4														
Part No.	DZ14251330061																														
CH part name	左车门内护板总成																														
EN part name	Left door panel.																														
RU part name	В левой двери щит																														
Size:mm																															
Weight:kg																															
NO.	NO.127-4																														
		Remarks:SHACMAN X3000																													









SHACMAN(1)

KD2257			KD2258		
	Part No.	DZ14251330091		Part No.	DZ14251330092
	CH part name	左车门拉手装饰盖		CH part name	右车门拉手装饰盖
	EN part name	Hand-pull decorative cover		EN part name	Hand-pull decorative cover
	RU part name	Ручка для украшения крышка		RU part name	Ручка для украшения крышка
	Size:mm			Size:mm	
	Weight:kg			Weight:kg	
	NO.	NO.127-6		NO.	NO.127-6
Remarks:SHACMAN X3000			Remarks:SHACMAN X3000		
KD2259			KD2260		
	Part No.	DZ14251330057		Part No.	DZ14251330153
	CH part name	车门排气单向阀		CH part name	左车门下装饰外板
	EN part name	Exhaust check valve.		EN part name	Trim outside under left door
	RU part name	Выпускной клапан		RU part name	На левой дверной панели
	Size:mm			Size:mm	
	Weight:kg			Weight:kg	
	NO.	NO.127-11		NO.	NO.127-12
Remarks:SHACMAN X3000			Remarks:SHACMAN X3000 DZ14251330155		
KD2261			KD2262		
	Part No.	DZ14251330009		Part No.	DZ14251330154
	CH part name	左车门玻璃总成		CH part name	右车门下装饰外板
	EN part name	Port door glass		EN part name	Trim outside under right door
	RU part name	Левое стекло		RU part name	На правой дверной панели
	Size:mm			Size:mm	
	Weight:kg			Weight:kg	
	NO.	NO.127-5a		NO.	NO.127-12
Remarks:SHACMAN X3000			Remarks:SHACMAN X3000 DZ14251330156		
KD2263			KD2264		
	Part No.	DZ14251420010		Part No.	DZ14251330010
	CH part name	天窗总成		CH part name	右车门玻璃总成
	EN part name	Skylight assembly		EN part name	Right door glass
	RU part name	В конце концов.		RU part name	Правое стекло
	Size:mm			Size:mm	
	Weight:kg			Weight:kg	
	NO.	NO.128-5		NO.	NO.127-5a
Remarks: SHACMAN X3000			Remarks: SHACMAN X3000		

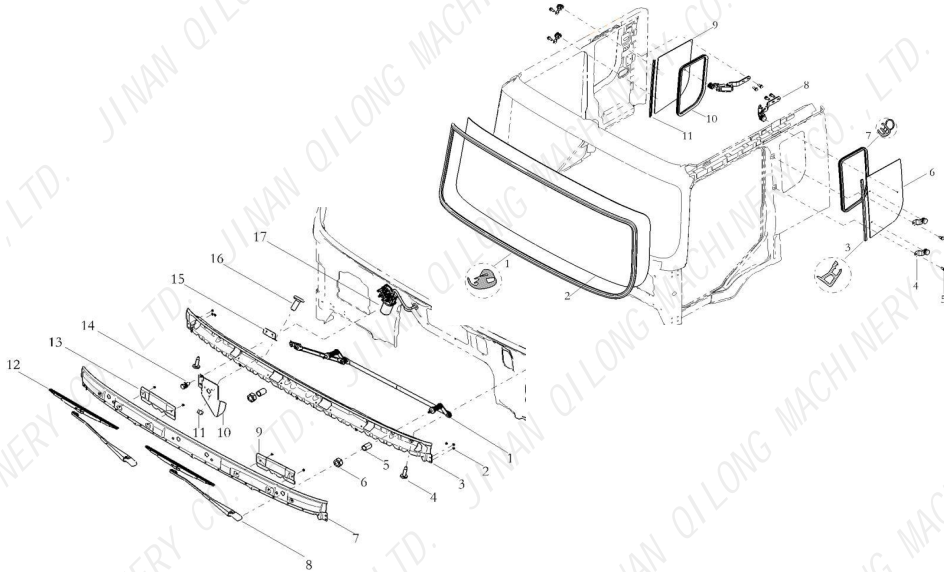





SHACMAN(1)

Door and lock system		NO.128	X3000
	KD2265		
		Part No.	DZ15221210001
	CH part name	车门总成(L)	
	EN part name	Left door assembly	
	RU part name	Дверь слева	
	Size:mm		
	Weight:kg	21.1	
	NO.	NO.128-4	
Remarks: SHACMAN X3000			
KD2266			
		Part No.	DZ15221210020
	CH part name	车门总成(R)	
	EN part name	Right door assembly	
	RU part name	Дверь справа	
	Size:mm		
	Weight:kg	21.1	
	NO.	NO.128-4	
Remarks: SHACMAN X3000			
KD2267		KD2278	
	Part No.	DZ14251340053	
	CH part name	右车门门锁	
	EN part name	Right door lock	
	RU part name	Дверной замок	
	Size:mm		
	Weight:kg	0.85	
	NO.	NO.128-2	
Remarks: SHACMAN X3000			
KD2279		KD2280	
	Part No.	DZ14251340051	
	CH part name	右车门外把手	
	EN part name	Door knob of right car	
	RU part name	Ручка справа от машины	
	Size:mm		
	Weight:kg	0.23	
	NO.	NO.128-1	
Remarks: SHACMAN X3000			
			
	Part No.	DZ14251340041	
	CH part name	左车门外把手	
	EN part name	Port door handle	
	RU part name	Ручка слева от машины	
	Size:mm		
	Weight:kg	0.23	
	NO.	NO.128-1	
Remarks: SHACMAN X3000			



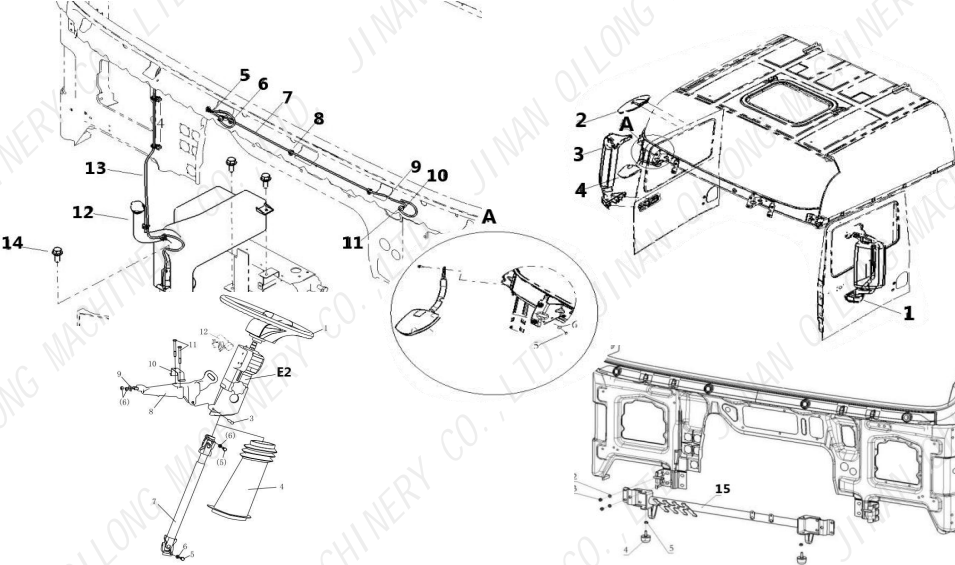




SHACMAN(1)

	<p>KD2281</p> <table border="1"> <tr><td>Part No.</td><td>DZ14251340052</td></tr> <tr><td>CH part name</td><td>右车门外把手-锁芯</td></tr> <tr><td>EN part name</td><td>Handle lock</td></tr> <tr><td>RU part name</td><td>Замкнутый стержень</td></tr> <tr><td>Size:mm</td><td></td></tr> <tr><td>Weight:kg</td><td>0.015</td></tr> <tr><td>NO.</td><td>NO.128-1</td></tr> </table>	Part No.	DZ14251340052	CH part name	右车门外把手-锁芯	EN part name	Handle lock	RU part name	Замкнутый стержень	Size:mm		Weight:kg	0.015	NO.	NO.128-1		<p>KD2282</p> <table border="1"> <tr><td>Part No.</td><td>DZ14251340042</td></tr> <tr><td>CH part name</td><td>左车门外把手-锁芯部</td></tr> <tr><td>EN part name</td><td>Handle lock</td></tr> <tr><td>RU part name</td><td>Замкнутый стержень</td></tr> <tr><td>Size:mm</td><td></td></tr> <tr><td>Weight:kg</td><td>0.015</td></tr> <tr><td>NO.</td><td>NO.128-1</td></tr> </table>	Part No.	DZ14251340042	CH part name	左车门外把手-锁芯部	EN part name	Handle lock	RU part name	Замкнутый стержень	Size:mm		Weight:kg	0.015	NO.	NO.128-1
Part No.	DZ14251340052																														
CH part name	右车门外把手-锁芯																														
EN part name	Handle lock																														
RU part name	Замкнутый стержень																														
Size:mm																															
Weight:kg	0.015																														
NO.	NO.128-1																														
Part No.	DZ14251340042																														
CH part name	左车门外把手-锁芯部																														
EN part name	Handle lock																														
RU part name	Замкнутый стержень																														
Size:mm																															
Weight:kg	0.015																														
NO.	NO.128-1																														
Remarks: SHACMAN X3000		Remarks: SHACMAN X3000																													
	<p>KD2283</p> <table border="1"> <tr><td>Part No.</td><td>DZ14251340016A</td></tr> <tr><td>CH part name</td><td>左车门内扣手</td></tr> <tr><td>EN part name</td><td>Left door latch handle</td></tr> <tr><td>RU part name</td><td>Левый дверной замок</td></tr> <tr><td>Size:mm</td><td></td></tr> <tr><td>Weight:kg</td><td>0.62</td></tr> <tr><td>NO.</td><td>NO.128-3</td></tr> </table>	Part No.	DZ14251340016A	CH part name	左车门内扣手	EN part name	Left door latch handle	RU part name	Левый дверной замок	Size:mm		Weight:kg	0.62	NO.	NO.128-3		<p>KD2284</p> <table border="1"> <tr><td>Part No.</td><td>DZ14251340026A</td></tr> <tr><td>CH part name</td><td>右车门内扣手</td></tr> <tr><td>EN part name</td><td>Right door latch handle</td></tr> <tr><td>RU part name</td><td>Застёжка в правой двери</td></tr> <tr><td>Size:mm</td><td></td></tr> <tr><td>Weight:kg</td><td>0.62</td></tr> <tr><td>NO.</td><td>NO.128-3</td></tr> </table>	Part No.	DZ14251340026A	CH part name	右车门内扣手	EN part name	Right door latch handle	RU part name	Застёжка в правой двери	Size:mm		Weight:kg	0.62	NO.	NO.128-3
Part No.	DZ14251340016A																														
CH part name	左车门内扣手																														
EN part name	Left door latch handle																														
RU part name	Левый дверной замок																														
Size:mm																															
Weight:kg	0.62																														
NO.	NO.128-3																														
Part No.	DZ14251340026A																														
CH part name	右车门内扣手																														
EN part name	Right door latch handle																														
RU part name	Застёжка в правой двери																														
Size:mm																															
Weight:kg	0.62																														
NO.	NO.128-3																														
Remarks: SHACMAN X3000		Remarks: SHACMAN X3000																													
	<p>KD2285</p> <table border="1"> <tr><td>Part No.</td><td>DZ14251340044</td></tr> <tr><td>CH part name</td><td>车门闭锁器</td></tr> <tr><td>EN part name</td><td>Door latch</td></tr> <tr><td>RU part name</td><td>Запорный замок</td></tr> <tr><td>Size:mm</td><td></td></tr> <tr><td>Weight:kg</td><td>0.21</td></tr> <tr><td>NO.</td><td>NO.128</td></tr> </table>	Part No.	DZ14251340044	CH part name	车门闭锁器	EN part name	Door latch	RU part name	Запорный замок	Size:mm		Weight:kg	0.21	NO.	NO.128		<p>KD2286</p> <table border="1"> <tr><td>Part No.</td><td>81.96121.0056</td></tr> <tr><td>CH part name</td><td>挡风玻璃密封条</td></tr> <tr><td>EN part name</td><td>Windshield sealing strip</td></tr> <tr><td>RU part name</td><td>Лобовое стекло</td></tr> <tr><td>Size:mm</td><td>2450*900*50</td></tr> <tr><td>Weight:kg</td><td>4.2</td></tr> <tr><td>NO.</td><td>NO.129-1</td></tr> </table>	Part No.	81.96121.0056	CH part name	挡风玻璃密封条	EN part name	Windshield sealing strip	RU part name	Лобовое стекло	Size:mm	2450*900*50	Weight:kg	4.2	NO.	NO.129-1
Part No.	DZ14251340044																														
CH part name	车门闭锁器																														
EN part name	Door latch																														
RU part name	Запорный замок																														
Size:mm																															
Weight:kg	0.21																														
NO.	NO.128																														
Part No.	81.96121.0056																														
CH part name	挡风玻璃密封条																														
EN part name	Windshield sealing strip																														
RU part name	Лобовое стекло																														
Size:mm	2450*900*50																														
Weight:kg	4.2																														
NO.	NO.129-1																														
Remarks: SHACMAN X3000		Remarks: SHACMAN F2000 F3000 X3000																													
	<p>KD2287</p> <table border="1"> <tr><td>Part No.</td><td>DZ14251710030</td></tr> <tr><td>CH part name</td><td>挡风玻璃/带印制天线</td></tr> <tr><td>EN part name</td><td>Windshield/printed antenna</td></tr> <tr><td>RU part name</td><td>Лобовое стекло/печатная антенна</td></tr> <tr><td>Size:mm</td><td></td></tr> <tr><td>Weight:kg</td><td>27</td></tr> <tr><td>NO.</td><td>NO.129-2</td></tr> </table>	Part No.	DZ14251710030	CH part name	挡风玻璃/带印制天线	EN part name	Windshield/printed antenna	RU part name	Лобовое стекло/печатная антенна	Size:mm		Weight:kg	27	NO.	NO.129-2		<p>KD2288</p> <table border="1"> <tr><td>Part No.</td><td>DZ14251710015</td></tr> <tr><td>CH part name</td><td>左侧围窗装饰边条</td></tr> <tr><td>EN part name</td><td>Edge bar for the left side window</td></tr> <tr><td>RU part name</td><td>С левой стороны окна</td></tr> <tr><td>Size:mm</td><td>660</td></tr> <tr><td>Weight:kg</td><td>0.12</td></tr> <tr><td>NO.</td><td>NO.129-3-11</td></tr> </table>	Part No.	DZ14251710015	CH part name	左侧围窗装饰边条	EN part name	Edge bar for the left side window	RU part name	С левой стороны окна	Size:mm	660	Weight:kg	0.12	NO.	NO.129-3-11
Part No.	DZ14251710030																														
CH part name	挡风玻璃/带印制天线																														
EN part name	Windshield/printed antenna																														
RU part name	Лобовое стекло/печатная антенна																														
Size:mm																															
Weight:kg	27																														
NO.	NO.129-2																														
Part No.	DZ14251710015																														
CH part name	左侧围窗装饰边条																														
EN part name	Edge bar for the left side window																														
RU part name	С левой стороны окна																														
Size:mm	660																														
Weight:kg	0.12																														
NO.	NO.129-3-11																														
Remarks: SHACMAN X3000		Remarks: SHACMAN X3000 DZ14251710019																													

SHACMAN(1)

The window assembly		NO.129 X3000	
	KD2289		
			
	Part No.	DZ14251710013	
	CH part name	侧窗玻璃弹簧铰链	
	EN part name	Side window spring hinge	
	RU part name	Пружинный шарнир	
	Size:mm		
	Weight:kg	0.015	
	NO.	NO.129-4	
	Remarks: SHACMAN X3000		
KD2290			
			
Part No.	DZ14251710010		
CH part name	左侧围窗玻璃		
EN part name	Surround the left pane		
RU part name	Стекло с левой стороны		
Size:mm			
Weight:kg			
NO.	NO.129-6		
Remarks: SHACMAN X3000			
KD2291			
			
Part No.	DZ14251710014		
CH part name	左侧围窗玻璃密封条		
EN part name	Left enclosure window sealing strip		
RU part name	В левом крыле		
Size:mm			
Weight:kg	0.035		
NO.	NO.129-7-10		
Remarks: SHACMAN X3000 DZ14251710018			
KD2292			
			
Part No.	DZ14251740012		
CH part name	雨刮连杆总成		
EN part name	Wiper rod assembly		
RU part name	Дождь скрежет		
Size:mm			
Weight:kg			
NO.	NO.129-1		
Remarks: SHACMAN X3000			
KD2293			
			
Part No.	DZ14251150032		
CH part name	雨刮器支架内板		
EN part name	Wiper holder internal plate		
RU part name	На стенде		
Size:mm			
Weight:kg			
NO.	NO.129-3		
Remarks: SHACMAN X3000			

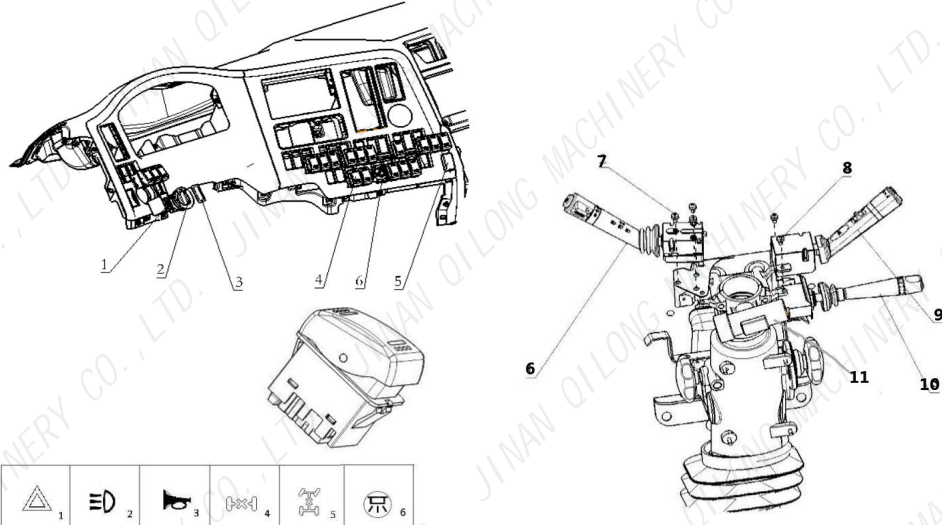






SHACMAN(1)

	<table border="1"> <tr><td>Part No.</td><td>DZ14251740010</td></tr> <tr><td>CH part name</td><td>雨刮电机</td></tr> <tr><td>EN part name</td><td>Wiper motor</td></tr> <tr><td>RU part name</td><td>Дождевальная машина</td></tr> <tr><td>Size:mm</td><td></td></tr> <tr><td>Weight:kg</td><td>1.95</td></tr> <tr><td>NO.</td><td>NO.129-17</td></tr> </table>	Part No.	DZ14251740010	CH part name	雨刮电机	EN part name	Wiper motor	RU part name	Дождевальная машина	Size:mm		Weight:kg	1.95	NO.	NO.129-17		<table border="1"> <tr><td>Part No.</td><td>DZ14251150035</td></tr> <tr><td>CH part name</td><td>雨刮器支架外板</td></tr> <tr><td>EN part name</td><td>Wiper bracket panel</td></tr> <tr><td>RU part name</td><td>Наружная панель</td></tr> <tr><td>Size:mm</td><td></td></tr> <tr><td>Weight:kg</td><td></td></tr> <tr><td>NO.</td><td>NO.129-7</td></tr> </table>	Part No.	DZ14251150035	CH part name	雨刮器支架外板	EN part name	Wiper bracket panel	RU part name	Наружная панель	Size:mm		Weight:kg		NO.	NO.129-7
Part No.	DZ14251740010																														
CH part name	雨刮电机																														
EN part name	Wiper motor																														
RU part name	Дождевальная машина																														
Size:mm																															
Weight:kg	1.95																														
NO.	NO.129-17																														
Part No.	DZ14251150035																														
CH part name	雨刮器支架外板																														
EN part name	Wiper bracket panel																														
RU part name	Наружная панель																														
Size:mm																															
Weight:kg																															
NO.	NO.129-7																														
Remarks: SHACMAN X3000		Remarks: SHACMAN X3000																													
Windscreen cleaning system NO.130 X3000																															
		<table border="1"> <tr><td>Part No.</td><td>DZ14251740013</td></tr> <tr><td>CH part name</td><td>雨刮臂</td></tr> <tr><td>EN part name</td><td>The wiper arm</td></tr> <tr><td>RU part name</td><td>Скреперная рука</td></tr> <tr><td>Size:mm</td><td></td></tr> <tr><td>Weight:kg</td><td>0.35</td></tr> <tr><td>NO.</td><td>NO.129-8</td></tr> </table>	Part No.	DZ14251740013	CH part name	雨刮臂	EN part name	The wiper arm	RU part name	Скреперная рука	Size:mm		Weight:kg	0.35	NO.	NO.129-8															
Part No.	DZ14251740013																														
CH part name	雨刮臂																														
EN part name	The wiper arm																														
RU part name	Скреперная рука																														
Size:mm																															
Weight:kg	0.35																														
NO.	NO.129-8																														
Remarks: SHACMAN X3000		Remarks: SHACMAN X3000																													
		<table border="1"> <tr><td>Part No.</td><td>DZ14251740014</td></tr> <tr><td>CH part name</td><td>雨刮片</td></tr> <tr><td>EN part name</td><td>Wiper blade</td></tr> <tr><td>RU part name</td><td>Дождь из дождя</td></tr> <tr><td>Size:mm</td><td>650</td></tr> <tr><td>Weight:kg</td><td>0.18</td></tr> <tr><td>NO.</td><td>NO.129-12</td></tr> </table>	Part No.	DZ14251740014	CH part name	雨刮片	EN part name	Wiper blade	RU part name	Дождь из дождя	Size:mm	650	Weight:kg	0.18	NO.	NO.129-12															
Part No.	DZ14251740014																														
CH part name	雨刮片																														
EN part name	Wiper blade																														
RU part name	Дождь из дождя																														
Size:mm	650																														
Weight:kg	0.18																														
NO.	NO.129-12																														
Remarks: SHACMAN X3000		Remarks: SHACMAN X3000																													
	<table border="1"> <tr><td>Part No.</td><td>DZ14251740030</td></tr> <tr><td>CH part name</td><td>洗涤液壶总成</td></tr> <tr><td>EN part name</td><td>Wash liquid pot assembly</td></tr> <tr><td>RU part name</td><td>Моющее средство в сборе</td></tr> <tr><td>Size:mm</td><td></td></tr> <tr><td>Weight:kg</td><td>1.2</td></tr> <tr><td>NO.</td><td>NO.130-12</td></tr> </table>	Part No.	DZ14251740030	CH part name	洗涤液壶总成	EN part name	Wash liquid pot assembly	RU part name	Моющее средство в сборе	Size:mm		Weight:kg	1.2	NO.	NO.130-12		<table border="1"> <tr><td>Part No.</td><td>DZ14251770130</td></tr> <tr><td>CH part name</td><td>左后视镜-左置-电动电加热</td></tr> <tr><td>EN part name</td><td>The left rear view mirror</td></tr> <tr><td>RU part name</td><td>Левое зеркало заднего вида</td></tr> <tr><td>Size:mm</td><td></td></tr> <tr><td>Weight:kg</td><td></td></tr> <tr><td>NO.</td><td>NO.130-3</td></tr> </table>	Part No.	DZ14251770130	CH part name	左后视镜-左置-电动电加热	EN part name	The left rear view mirror	RU part name	Левое зеркало заднего вида	Size:mm		Weight:kg		NO.	NO.130-3
Part No.	DZ14251740030																														
CH part name	洗涤液壶总成																														
EN part name	Wash liquid pot assembly																														
RU part name	Моющее средство в сборе																														
Size:mm																															
Weight:kg	1.2																														
NO.	NO.130-12																														
Part No.	DZ14251770130																														
CH part name	左后视镜-左置-电动电加热																														
EN part name	The left rear view mirror																														
RU part name	Левое зеркало заднего вида																														
Size:mm																															
Weight:kg																															
NO.	NO.130-3																														
Remarks: SHACMAN X3000		Remarks: SHACMAN X3000 DZ14251770030																													

SHACMAN(1)

	<table border="1"> <tr><td>Part No.</td><td>DZ14251770101</td></tr> <tr><td>CH part name</td><td>左后视镜后盖</td></tr> <tr><td>EN part name</td><td>Left rear view mirror rear cover</td></tr> <tr><td>RU part name</td><td>Левое зеркало заднего вида</td></tr> <tr><td>Size:mm</td><td></td></tr> <tr><td>Weight:kg</td><td>0.21</td></tr> <tr><td>NO.</td><td>NO.130-3</td></tr> </table>	Part No.	DZ14251770101	CH part name	左后视镜后盖	EN part name	Left rear view mirror rear cover	RU part name	Левое зеркало заднего вида	Size:mm		Weight:kg	0.21	NO.	NO.130-3		<table border="1"> <tr><td>Part No.</td><td>DZ14251770131</td></tr> <tr><td>CH part name</td><td>右后视镜-左置-电动电加热</td></tr> <tr><td>EN part name</td><td>The right rear view mirror</td></tr> <tr><td>RU part name</td><td>Правый зеркало заднего вида</td></tr> <tr><td>Size:mm</td><td></td></tr> <tr><td>Weight:kg</td><td></td></tr> <tr><td>NO.</td><td>NO.130-1</td></tr> </table>	Part No.	DZ14251770131	CH part name	右后视镜-左置-电动电加热	EN part name	The right rear view mirror	RU part name	Правый зеркало заднего вида	Size:mm		Weight:kg		NO.	NO.130-1
Part No.	DZ14251770101																														
CH part name	左后视镜后盖																														
EN part name	Left rear view mirror rear cover																														
RU part name	Левое зеркало заднего вида																														
Size:mm																															
Weight:kg	0.21																														
NO.	NO.130-3																														
Part No.	DZ14251770131																														
CH part name	右后视镜-左置-电动电加热																														
EN part name	The right rear view mirror																														
RU part name	Правый зеркало заднего вида																														
Size:mm																															
Weight:kg																															
NO.	NO.130-1																														
Remarks: SHACMAN X3000		Remarks: SHACMAN																													
	<table border="1"> <tr><td>Part No.</td><td>DZ14251770013</td></tr> <tr><td>CH part name</td><td>补盲后视镜总成</td></tr> <tr><td>EN part name</td><td>Fill in the rearview mirror</td></tr> <tr><td>RU part name</td><td>Зеркало заднего вида</td></tr> <tr><td>Size:mm</td><td>260*300*80</td></tr> <tr><td>Weight:kg</td><td>0.8</td></tr> <tr><td>NO.</td><td>NO.130-2</td></tr> </table>	Part No.	DZ14251770013	CH part name	补盲后视镜总成	EN part name	Fill in the rearview mirror	RU part name	Зеркало заднего вида	Size:mm	260*300*80	Weight:kg	0.8	NO.	NO.130-2		<table border="1"> <tr><td>Part No.</td><td>DZ14251770102</td></tr> <tr><td>CH part name</td><td>右后视镜后盖</td></tr> <tr><td>EN part name</td><td>Right rear view mirror rear cover</td></tr> <tr><td>RU part name</td><td>Заднее зеркало заднего вида</td></tr> <tr><td>Size:mm</td><td></td></tr> <tr><td>Weight:kg</td><td>0.21</td></tr> <tr><td>NO.</td><td>NO.130-1</td></tr> </table>	Part No.	DZ14251770102	CH part name	右后视镜后盖	EN part name	Right rear view mirror rear cover	RU part name	Заднее зеркало заднего вида	Size:mm		Weight:kg	0.21	NO.	NO.130-1
Part No.	DZ14251770013																														
CH part name	补盲后视镜总成																														
EN part name	Fill in the rearview mirror																														
RU part name	Зеркало заднего вида																														
Size:mm	260*300*80																														
Weight:kg	0.8																														
NO.	NO.130-2																														
Part No.	DZ14251770102																														
CH part name	右后视镜后盖																														
EN part name	Right rear view mirror rear cover																														
RU part name	Заднее зеркало заднего вида																														
Size:mm																															
Weight:kg	0.21																														
NO.	NO.130-1																														
Remarks: SHACMAN X3000 DZ14251770054		Remarks: SHACMAN X3000																													
	<table border="1"> <tr><td>Part No.</td><td>DZ14251770012</td></tr> <tr><td>CH part name</td><td>前视镜总成/N</td></tr> <tr><td>EN part name</td><td>Front-view mirror assembly /N</td></tr> <tr><td>RU part name</td><td>В общем-то, в зеркале</td></tr> <tr><td>Size:mm</td><td></td></tr> <tr><td>Weight:kg</td><td>1.8</td></tr> <tr><td>NO.</td><td>NO.130-4</td></tr> </table>	Part No.	DZ14251770012	CH part name	前视镜总成/N	EN part name	Front-view mirror assembly /N	RU part name	В общем-то, в зеркале	Size:mm		Weight:kg	1.8	NO.	NO.130-4		<table border="1"> <tr><td>Part No.</td><td>DZ13241970001</td></tr> <tr><td>CH part name</td><td>横梁总成(右置)</td></tr> <tr><td>EN part name</td><td>Cross reinforcement assembly</td></tr> <tr><td>RU part name</td><td>Поперечная балка</td></tr> <tr><td>Size:mm</td><td>1350*160*120</td></tr> <tr><td>Weight:kg</td><td>3.5</td></tr> <tr><td>NO.</td><td>NO.130-15</td></tr> </table>	Part No.	DZ13241970001	CH part name	横梁总成(右置)	EN part name	Cross reinforcement assembly	RU part name	Поперечная балка	Size:mm	1350*160*120	Weight:kg	3.5	NO.	NO.130-15
Part No.	DZ14251770012																														
CH part name	前视镜总成/N																														
EN part name	Front-view mirror assembly /N																														
RU part name	В общем-то, в зеркале																														
Size:mm																															
Weight:kg	1.8																														
NO.	NO.130-4																														
Part No.	DZ13241970001																														
CH part name	横梁总成(右置)																														
EN part name	Cross reinforcement assembly																														
RU part name	Поперечная балка																														
Size:mm	1350*160*120																														
Weight:kg	3.5																														
NO.	NO.130-15																														
Remarks: SHACMAN X3000 DZ14251770053		Remarks: SHACMAN X3000																													
	<table border="1"> <tr><td>Part No.</td><td>DZ97189460559</td></tr> <tr><td>CH part name</td><td>转向管柱</td></tr> <tr><td>EN part name</td><td>Steering column</td></tr> <tr><td>RU part name</td><td>Поворотный колонна</td></tr> <tr><td>Size:mm</td><td></td></tr> <tr><td>Weight:kg</td><td>5.5</td></tr> <tr><td>NO.</td><td>NO.130-E2</td></tr> </table>	Part No.	DZ97189460559	CH part name	转向管柱	EN part name	Steering column	RU part name	Поворотный колонна	Size:mm		Weight:kg	5.5	NO.	NO.130-E2		<table border="1"> <tr><td>Part No.</td><td>DZ97189584712</td></tr> <tr><td>CH part name</td><td>仪表照明亮度调节开关</td></tr> <tr><td>EN part name</td><td>Lightness adjusting switch</td></tr> <tr><td>RU part name</td><td>Переключатель яркости</td></tr> <tr><td>Size:mm</td><td></td></tr> <tr><td>Weight:kg</td><td>0.023</td></tr> <tr><td>NO.</td><td>NO.131-1</td></tr> </table>	Part No.	DZ97189584712	CH part name	仪表照明亮度调节开关	EN part name	Lightness adjusting switch	RU part name	Переключатель яркости	Size:mm		Weight:kg	0.023	NO.	NO.131-1
Part No.	DZ97189460559																														
CH part name	转向管柱																														
EN part name	Steering column																														
RU part name	Поворотный колонна																														
Size:mm																															
Weight:kg	5.5																														
NO.	NO.130-E2																														
Part No.	DZ97189584712																														
CH part name	仪表照明亮度调节开关																														
EN part name	Lightness adjusting switch																														
RU part name	Переключатель яркости																														
Size:mm																															
Weight:kg	0.023																														
NO.	NO.131-1																														
Remarks: SHACMAN X3000		Remarks: SHACMAN X3000																													

SHACMAN(1)

SWITCH		NO.131 X3000		KD2308			
						Part No.	DZ97189584680
						CH part name	灯光控制总开关
						EN part name	Light control switch
						RU part name	Выключатель управления светом
						Size:mm	
						Weight:kg	0.03
						NO.	NO.131-2
Remarks: SHACMAN X3000				KD2309			
				Part No.	DZ97189584713		
				CH part name	危急报警灯开关		
				EN part name	Hazard signal switch		
				RU part name	Аварийный выключатель		
				Size:mm			
				Weight:kg	0.022		
				NO.	NO.131-1		
Remarks: SHACMAN X3000				KD2310			
		Part No.	DZ97189584714				
		CH part name	辅助远光灯开关				
		EN part name	Assit high light switch				
		RU part name	Вспомогательный выключатель				
		Size:mm					
		Weight:kg	0.023				
		NO.	NO.131-2				
Remarks: SHACMAN X3000				KD2311			
		Part No.	DZ97189584715				
		CH part name	喇叭转换开关				
		EN part name	Horn transition switch				
		RU part name	Переключаемся на громкоговоритель				
		Size:mm					
		Weight:kg	0.023				
		NO.	NO.131-3				
Remarks: SHACMAN X3000				KD2312			
		Part No.	DZ97189584716				
		CH part name	轮间差速锁开关				
		EN part name	Switch for differentiallock				
		RU part name	Межколесный выключатель				
		Size:mm					
		Weight:kg	0.022				
		NO.	NO.131-4				
Remarks: SHACMAN X3000				KD2313			
		Part No.	DZ97189584718				
		CH part name	多功率省油开关				
		EN part name	Economical power switch				
		RU part name	Многомощный топливный выключатель				
		Size:mm					
		Weight:kg	0.15				
		NO.	NO.131-6				
Remarks: SHACMAN X3000				Remarks: SHACMAN X3000			

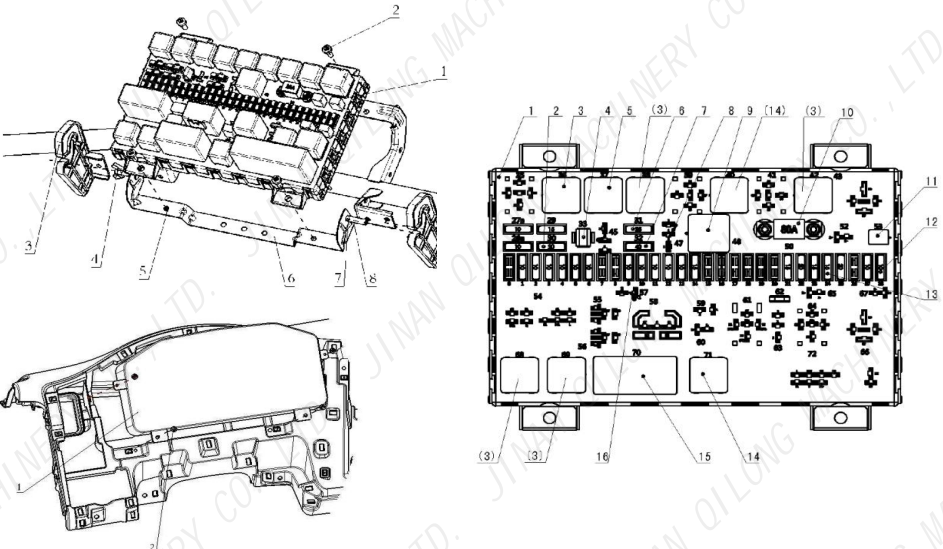


SHACMAN(1)

	Part No. DZ97189584729 CH part name 室内照明灯开关 EN part name Indoor lighting switch RU part name Выключатель в помещении Size:mm Weight:kg 0.023 NO. NO.131-6			Part No. DZ97189584717 CH part name 轴间差速锁开关 EN part name Switch for differential lock RU part name Электромагнитный выключатель Size:mm Weight:kg 0.022 NO. NO.131-5	
Remarks: SHACMAN X3000			Remarks: SHACMAN X3000		
	Part No. DZ97189584630 CH part name 组合开关(灯光、雨刮) EN part name Combination switch RU part name Комбинированный переключатель Size:mm Weight:kg 0.52 NO. NO.131-6			Part No. DZ97189584670 CH part name 组合开关(菜单控制) EN part name Combination switch RU part name Комбинированный переключатель Size:mm Weight:kg 0.52 NO. NO.131-9	
Remarks: SHACMAN X3000			Remarks: SHACMAN X3000		
	Part No. DZ97189584640 CH part name 组合开关(排气制动) EN part name Combination switch RU part name Комбинированный переключатель Size:mm Weight:kg 0.52 NO. NO.131-10			Part No. 81.46433.6009 CH part name 方向盘锁总成 EN part name Steering lock assembly RU part name Замок на руле Size:mm 140*130*60 Weight:kg 0.98 NO. NO.131-11	
Remarks: SHACMAN			Remarks: SHACMAN X3000		
	Part No. DZ97189584722 CH part name 后工作灯开关 EN part name Rear working light switch RU part name Задние фары Size:mm Weight:kg 0.021 NO. NO.131			Part No. DZ97189584727 CH part name 取力器开关 EN part name Force extractor switch RU part name Переключатель форсажа Size:mm Weight:kg 0.021 NO. NO.131	
Remarks: SHACMAN X3000			Remarks: SHACMAN X3000		

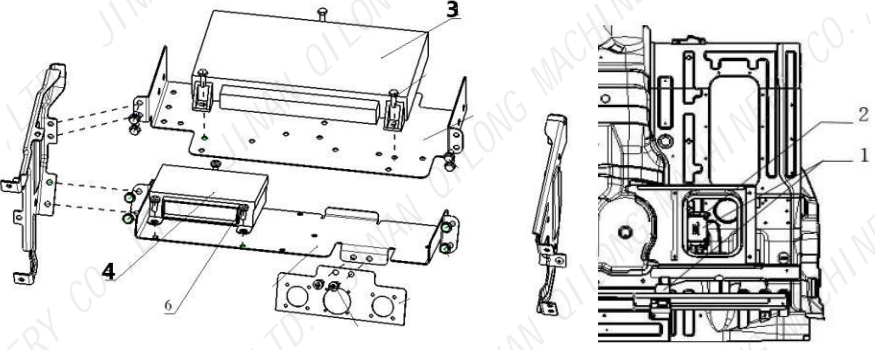




SHACMAN(1)

	<table border="1"> <tr><td>Part No.</td><td>DZ97189584728</td></tr> <tr><td>CH part name</td><td>取力器工作选择开关</td></tr> <tr><td>EN part name</td><td>Force extractor switch</td></tr> <tr><td>RU part name</td><td>Переключатель форсажа</td></tr> <tr><td>Size:mm</td><td></td></tr> <tr><td>Weight:kg</td><td>0.021</td></tr> <tr><td>NO.</td><td>NO.131</td></tr> </table>	Part No.	DZ97189584728	CH part name	取力器工作选择开关	EN part name	Force extractor switch	RU part name	Переключатель форсажа	Size:mm		Weight:kg	0.021	NO.	NO.131		<table border="1"> <tr><td>Part No.</td><td>DZ97189584745</td></tr> <tr><td>CH part name</td><td>驾驶室电动翻转开关</td></tr> <tr><td>EN part name</td><td>Electric tilting switch</td></tr> <tr><td>RU part name</td><td>Электрический выключатель</td></tr> <tr><td>Size:mm</td><td></td></tr> <tr><td>Weight:kg</td><td>0.022</td></tr> <tr><td>NO.</td><td>NO.131</td></tr> </table>	Part No.	DZ97189584745	CH part name	驾驶室电动翻转开关	EN part name	Electric tilting switch	RU part name	Электрический выключатель	Size:mm		Weight:kg	0.022	NO.	NO.131
Part No.	DZ97189584728																														
CH part name	取力器工作选择开关																														
EN part name	Force extractor switch																														
RU part name	Переключатель форсажа																														
Size:mm																															
Weight:kg	0.021																														
NO.	NO.131																														
Part No.	DZ97189584745																														
CH part name	驾驶室电动翻转开关																														
EN part name	Electric tilting switch																														
RU part name	Электрический выключатель																														
Size:mm																															
Weight:kg	0.022																														
NO.	NO.131																														
Remarks: SHACMAN X3000		Remarks: SHACMAN X3000																													
	<table border="1"> <tr><td>Part No.</td><td>DZ97189584750</td></tr> <tr><td>CH part name</td><td>排气制动档位选择翘板开关</td></tr> <tr><td>EN part name</td><td>Tilting switch</td></tr> <tr><td>RU part name</td><td>Переключатель с выкладкой</td></tr> <tr><td>Size:mm</td><td></td></tr> <tr><td>Weight:kg</td><td>0.022</td></tr> <tr><td>NO.</td><td>NO.131</td></tr> </table>	Part No.	DZ97189584750	CH part name	排气制动档位选择翘板开关	EN part name	Tilting switch	RU part name	Переключатель с выкладкой	Size:mm		Weight:kg	0.022	NO.	NO.131		<table border="1"> <tr><td>Part No.</td><td>DZ97189584747</td></tr> <tr><td>CH part name</td><td>WP智能多功率指示灯</td></tr> <tr><td>EN part name</td><td>Intelligent multi-power indicator</td></tr> <tr><td>RU part name</td><td>Мощные индикаторы мощности</td></tr> <tr><td>Size:mm</td><td></td></tr> <tr><td>Weight:kg</td><td>0.022</td></tr> <tr><td>NO.</td><td>NO.131</td></tr> </table>	Part No.	DZ97189584747	CH part name	WP智能多功率指示灯	EN part name	Intelligent multi-power indicator	RU part name	Мощные индикаторы мощности	Size:mm		Weight:kg	0.022	NO.	NO.131
Part No.	DZ97189584750																														
CH part name	排气制动档位选择翘板开关																														
EN part name	Tilting switch																														
RU part name	Переключатель с выкладкой																														
Size:mm																															
Weight:kg	0.022																														
NO.	NO.131																														
Part No.	DZ97189584747																														
CH part name	WP智能多功率指示灯																														
EN part name	Intelligent multi-power indicator																														
RU part name	Мощные индикаторы мощности																														
Size:mm																															
Weight:kg	0.022																														
NO.	NO.131																														
Remarks: SHACMAN X3000		Remarks: SHACMAN X3000																													
	<table border="1"> <tr><td>Part No.</td><td>DZ97189584380</td></tr> <tr><td>CH part name</td><td>电器装置板</td></tr> <tr><td>EN part name</td><td>Central control block</td></tr> <tr><td>RU part name</td><td>Центральный блок предохранителей</td></tr> <tr><td>Size:mm</td><td>360*250*80</td></tr> <tr><td>Weight:kg</td><td>2.4</td></tr> <tr><td>NO.</td><td>NO.132-1</td></tr> </table>	Part No.	DZ97189584380	CH part name	电器装置板	EN part name	Central control block	RU part name	Центральный блок предохранителей	Size:mm	360*250*80	Weight:kg	2.4	NO.	NO.132-1		<table border="1"> <tr><td>Part No.</td><td>DZ93189582080</td></tr> <tr><td>CH part name</td><td>中央电器装置板</td></tr> <tr><td>EN part name</td><td>Central control block</td></tr> <tr><td>RU part name</td><td>Центральный блок предохранителей</td></tr> <tr><td>Size:mm</td><td>360*250*80</td></tr> <tr><td>Weight:kg</td><td>2.4</td></tr> <tr><td>NO.</td><td>NO.132-1</td></tr> </table>	Part No.	DZ93189582080	CH part name	中央电器装置板	EN part name	Central control block	RU part name	Центральный блок предохранителей	Size:mm	360*250*80	Weight:kg	2.4	NO.	NO.132-1
Part No.	DZ97189584380																														
CH part name	电器装置板																														
EN part name	Central control block																														
RU part name	Центральный блок предохранителей																														
Size:mm	360*250*80																														
Weight:kg	2.4																														
NO.	NO.132-1																														
Part No.	DZ93189582080																														
CH part name	中央电器装置板																														
EN part name	Central control block																														
RU part name	Центральный блок предохранителей																														
Size:mm	360*250*80																														
Weight:kg	2.4																														
NO.	NO.132-1																														
Remarks: SHACMAN X3000 WEICHAI		Remarks: SHACMAN CUMMINS康明斯 X3000																													
	<table border="1"> <tr><td>Part No.</td><td>DZ93189582090</td></tr> <tr><td>CH part name</td><td>中央电器装置板</td></tr> <tr><td>EN part name</td><td>Central control block</td></tr> <tr><td>RU part name</td><td>Центральный блок предохранителей</td></tr> <tr><td>Size:mm</td><td>360*250*80</td></tr> <tr><td>Weight:kg</td><td>2.4</td></tr> <tr><td>NO.</td><td>NO.132-1</td></tr> </table>	Part No.	DZ93189582090	CH part name	中央电器装置板	EN part name	Central control block	RU part name	Центральный блок предохранителей	Size:mm	360*250*80	Weight:kg	2.4	NO.	NO.132-1		<table border="1"> <tr><td>Part No.</td><td>81.25436.0063</td></tr> <tr><td>CH part name</td><td>土黄色熔断丝</td></tr> <tr><td>EN part name</td><td>Yellow fuse</td></tr> <tr><td>RU part name</td><td>Khaki fuse wire</td></tr> <tr><td>Size:mm</td><td></td></tr> <tr><td>Weight:kg</td><td>0.0112</td></tr> <tr><td>NO.</td><td>NO.132-15</td></tr> </table>	Part No.	81.25436.0063	CH part name	土黄色熔断丝	EN part name	Yellow fuse	RU part name	Khaki fuse wire	Size:mm		Weight:kg	0.0112	NO.	NO.132-15
Part No.	DZ93189582090																														
CH part name	中央电器装置板																														
EN part name	Central control block																														
RU part name	Центральный блок предохранителей																														
Size:mm	360*250*80																														
Weight:kg	2.4																														
NO.	NO.132-1																														
Part No.	81.25436.0063																														
CH part name	土黄色熔断丝																														
EN part name	Yellow fuse																														
RU part name	Khaki fuse wire																														
Size:mm																															
Weight:kg	0.0112																														
NO.	NO.132-15																														
Remarks: SHACMAN X3000 WEICHAI DZ93189582061		Remarks: SHACMAN X3000																													

SHACMAN(1)

ELECTRIC PANEL I		NO.132 X3000															
	KD2330		<table border="1"> <tr><td>Part No.</td><td>81.25436.0069</td></tr> <tr><td>CH part name</td><td>绿色熔断丝 (30A)</td></tr> <tr><td>EN part name</td><td>Control element</td></tr> <tr><td>RU part name</td><td>Зеленая плавкая проволока</td></tr> <tr><td>Size:mm</td><td></td></tr> <tr><td>Weight:kg</td><td>0.0112</td></tr> <tr><td>NO.</td><td>NO.132-15</td></tr> </table>	Part No.	81.25436.0069	CH part name	绿色熔断丝 (30A)	EN part name	Control element	RU part name	Зеленая плавкая проволока	Size:mm		Weight:kg	0.0112	NO.	NO.132-15
	Part No.	81.25436.0069															
CH part name	绿色熔断丝 (30A)																
EN part name	Control element																
RU part name	Зеленая плавкая проволока																
Size:mm																	
Weight:kg	0.0112																
NO.	NO.132-15																
Remarks: SHACMAN X3000			<table border="1"> <tr><td>Part No.</td><td>DZ97189584111</td></tr> <tr><td>CH part name</td><td>组合仪表</td></tr> <tr><td>EN part name</td><td>Instrument cluster</td></tr> <tr><td>RU part name</td><td>Комбинированный прибор</td></tr> <tr><td>Size:mm</td><td></td></tr> <tr><td>Weight:kg</td><td>2.85</td></tr> <tr><td>NO.</td><td>NO.132</td></tr> </table>	Part No.	DZ97189584111	CH part name	组合仪表	EN part name	Instrument cluster	RU part name	Комбинированный прибор	Size:mm		Weight:kg	2.85	NO.	NO.132
Part No.	DZ97189584111																
CH part name	组合仪表																
EN part name	Instrument cluster																
RU part name	Комбинированный прибор																
Size:mm																	
Weight:kg	2.85																
NO.	NO.132																
KD2332		KD2333															
	Part No.	DZ97189584120	<table border="1"> <tr><td>Part No.</td><td>DZ97189584123</td></tr> <tr><td>CH part name</td><td>组合仪表</td></tr> <tr><td>EN part name</td><td>Instrument cluster</td></tr> <tr><td>RU part name</td><td>Комбинированный прибор</td></tr> <tr><td>Size:mm</td><td></td></tr> <tr><td>Weight:kg</td><td>2.85</td></tr> <tr><td>NO.</td><td>NO.132</td></tr> </table>	Part No.	DZ97189584123	CH part name	组合仪表	EN part name	Instrument cluster	RU part name	Комбинированный прибор	Size:mm		Weight:kg	2.85	NO.	NO.132
	Part No.	DZ97189584123															
	CH part name	组合仪表															
	EN part name	Instrument cluster															
	RU part name	Комбинированный прибор															
	Size:mm																
Weight:kg	2.85																
NO.	NO.132																
CH part name	组合仪表																
EN part name	Instrument cluster																
RU part name	Комбинированный прибор																
Size:mm																	
Weight:kg	2.85																
NO.	NO.132																
Remarks: SHACMAN X3000		Remarks: SHACMAN X3000															
KD2334		KD2335															
	Part No.	DZ97189584110	<table border="1"> <tr><td>Part No.</td><td>DZ97189586633</td></tr> <tr><td>CH part name</td><td>逆变电源</td></tr> <tr><td>EN part name</td><td>Inverter Power</td></tr> <tr><td>RU part name</td><td>Обратный источник питания</td></tr> <tr><td>Size:mm</td><td></td></tr> <tr><td>Weight:kg</td><td>0.25</td></tr> <tr><td>NO.</td><td>NO.133-1</td></tr> </table>	Part No.	DZ97189586633	CH part name	逆变电源	EN part name	Inverter Power	RU part name	Обратный источник питания	Size:mm		Weight:kg	0.25	NO.	NO.133-1
	Part No.	DZ97189586633															
	CH part name	逆变电源															
	EN part name	Inverter Power															
	RU part name	Обратный источник питания															
	Size:mm																
Weight:kg	0.25																
NO.	NO.133-1																
CH part name	组合仪表																
EN part name	Instrument cluster																
RU part name	Комбинированный прибор																
Size:mm																	
Weight:kg	2.85																
NO.	NO.132																
Remarks: SHACMAN X3000 DZ97189584113		Remarks: SHACMAN X3000															









SHACMAN(1)

INVERTER POWER		NO.133 X3000													
		KD2336													
			<table border="1"> <tr><td>Part No.</td><td>DZ9100580201</td></tr> <tr><td>CH part name</td><td>ABS控制器 (CAN)</td></tr> <tr><td>EN part name</td><td>ABS controller</td></tr> <tr><td>RU part name</td><td>Контроллер ABS</td></tr> <tr><td>Size:mm</td><td></td></tr> <tr><td>Weight:kg</td><td>1.15</td></tr> <tr><td>NO.</td><td>NO.133-4</td></tr> </table>	Part No.	DZ9100580201	CH part name	ABS控制器 (CAN)	EN part name	ABS controller	RU part name	Контроллер ABS	Size:mm		Weight:kg	1.15
Part No.	DZ9100580201														
CH part name	ABS控制器 (CAN)														
EN part name	ABS controller														
RU part name	Контроллер ABS														
Size:mm															
Weight:kg	1.15														
NO.	NO.133-4														
Remarks: SHACMAN X3000															
		KD2337													
		<table border="1"> <tr><td>Part No.</td><td>DZ93189582220</td></tr> <tr><td>CH part name</td><td>控制器(CBCU)</td></tr> <tr><td>EN part name</td><td>The controller</td></tr> <tr><td>RU part name</td><td>контроллер</td></tr> <tr><td>Size:mm</td><td></td></tr> <tr><td>Weight:kg</td><td>0.53</td></tr> <tr><td>NO.</td><td>NO.133-3</td></tr> </table>	Part No.	DZ93189582220	CH part name	控制器(CBCU)	EN part name	The controller	RU part name	контроллер	Size:mm		Weight:kg	0.53	NO.
Part No.	DZ93189582220														
CH part name	控制器(CBCU)														
EN part name	The controller														
RU part name	контроллер														
Size:mm															
Weight:kg	0.53														
NO.	NO.133-3														
Remarks: SHACMAN X3000															
KD2338		KD2339													
	Part No.	DZ14251841011	Part No.	DZ14251841012											
	CH part name	排水管	CH part name	前排水管											
	EN part name	The drain	EN part name	In front of the pipe											
	RU part name	Дренажная труба	RU part name	Передний водопровод											
	Size:mm		Size:mm												
	Weight:kg	0.15	Weight:kg	0.15											
NO.	NO.134-3	NO.	NO.134-1												
Remarks: SHACMAN X3000		Remarks: SHACMAN X3000													
KD2340		KD2341													
	Part No.	DZ13241841430	Part No.	DZ14251841014											
	CH part name	过滤器壳体总成	CH part name	蒸发器出管											
	EN part name	Filter housing assembly	EN part name	Evaporator outlet pipe											
	RU part name	Оболочка фильтра	RU part name	Трубопровод испарителя											
	Size:mm		Size:mm												
	Weight:kg		Weight:kg	0.54											
NO.	NO.134-4	NO.	NO.134-5												
Remarks: SHACMAN		Remarks: SHACMAN X3000													

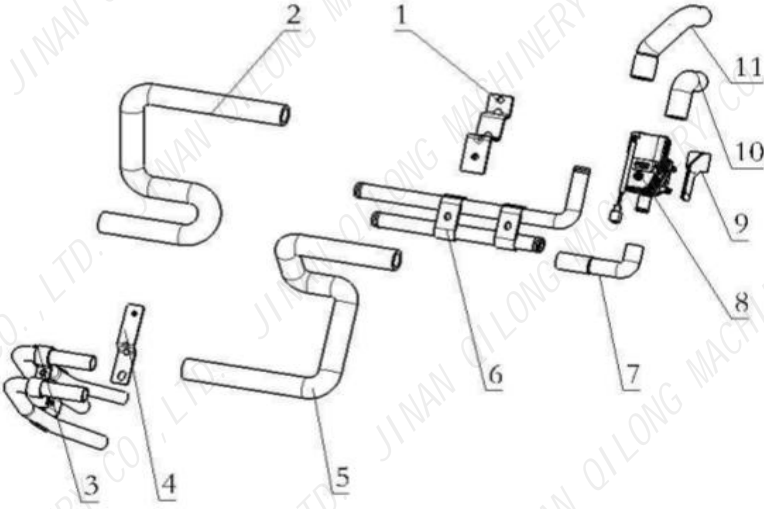






SHACMAN(1)

AIR CONDITION PIPES		NO.134 X3000		
		KD2342		
			Part No.	DZ14251845004
			CH part name	蒸发器进管
			EN part name	Evaporator inlet pipe
			RU part name	Воздухозаборник испарителя
			Size:mm	
			Weight:kg	0.52
			NO.	NO.134-6
	Remarks: SHACMAN X3000			
			KD2343	
			Part No.	DZ14251845006
			CH part name	压缩机进管
			EN part name	Compressor inlet pipe
			RU part name	Воздухозаборник компрессора
			Size:mm	
			Weight:kg	0.68
			NO.	NO.134-11
Remarks: SHACMAN WP10、ISM、WD12、WP12EGR				
		KD2344		
	Part No.	DZ14251845014		
	CH part name	压缩机进管		
	EN part name	Compressor inlet pipe		
	RU part name	Воздухозаборник компрессора		
	Size:mm			
	Weight:kg	0.68		
	NO.	NO.134-11		
Remarks: SHACMAN (HX/WP12)				
		KD2345		
			Part No.	DZ14251845005
			CH part name	压缩机-冷凝器连接管
			EN part name	The condenser is connected to the pipe
			RU part name	Соединительная труба конденсатора
			Size:mm	
			Weight:kg	0.65
			NO.	NO.134-12
Remarks: SHACMAN WP10、ISM、WD12、WP12EGR				
		KD2346		
	Part No.	DZ95189154010		
	CH part name	压缩机总成		
	EN part name	Compressor assembly		
	RU part name	компрессора		
	Size:mm			
	Weight:kg	7.4		
	NO.	NO.134-13		
Remarks: SHACMAN DZ13241824121				
		KD2347		
			Part No.	DZ14251845013
			CH part name	压缩机-冷凝器连接管
			EN part name	Connecting pipe
			RU part name	Соединительная труба
			Size:mm	
			Weight:kg	0.61
			NO.	NO.134-12
Remarks: SHACMAN X3000				

SHACMAN(1)

	<p>KD2348</p> <table border="1"> <tr><td>Part No.</td><td>DZ15221840303</td></tr> <tr><td>CH part name</td><td>压缩机总成</td></tr> <tr><td>EN part name</td><td>Compressor assembly</td></tr> <tr><td>RU part name</td><td>компрессора</td></tr> <tr><td>Size:mm</td><td></td></tr> <tr><td>Weight:kg</td><td>7.4</td></tr> <tr><td>NO.</td><td>NO.134-13</td></tr> </table>	Part No.	DZ15221840303	CH part name	压缩机总成	EN part name	Compressor assembly	RU part name	компрессора	Size:mm		Weight:kg	7.4	NO.	NO.134-13		<p>KD2349</p> <table border="1"> <tr><td>Part No.</td><td>DZ95189154012</td></tr> <tr><td>CH part name</td><td>变排量压缩机总成</td></tr> <tr><td>EN part name</td><td>Compressor assembly</td></tr> <tr><td>RU part name</td><td>компрессора</td></tr> <tr><td>Size:mm</td><td></td></tr> <tr><td>Weight:kg</td><td>7.4</td></tr> <tr><td>NO.</td><td>NO.134-13</td></tr> </table>	Part No.	DZ95189154012	CH part name	变排量压缩机总成	EN part name	Compressor assembly	RU part name	компрессора	Size:mm		Weight:kg	7.4	NO.	NO.134-13
Part No.	DZ15221840303																														
CH part name	压缩机总成																														
EN part name	Compressor assembly																														
RU part name	компрессора																														
Size:mm																															
Weight:kg	7.4																														
NO.	NO.134-13																														
Part No.	DZ95189154012																														
CH part name	变排量压缩机总成																														
EN part name	Compressor assembly																														
RU part name	компрессора																														
Size:mm																															
Weight:kg	7.4																														
NO.	NO.134-13																														
Remarks: SHACMAN (ISM) F3000 X3000 新M3000		Remarks: SHACMAN 多楔带、ISM、国III																													
	<p>KD2350</p> <table border="1"> <tr><td>Part No.</td><td>DZ13241824601</td></tr> <tr><td>CH part name</td><td>空调皮带</td></tr> <tr><td>EN part name</td><td>The belt</td></tr> <tr><td>RU part name</td><td>ремень</td></tr> <tr><td>Size:mm</td><td>AV13x1165</td></tr> <tr><td>Weight:kg</td><td>0.11</td></tr> <tr><td>NO.</td><td>NO.134-14</td></tr> </table>	Part No.	DZ13241824601	CH part name	空调皮带	EN part name	The belt	RU part name	ремень	Size:mm	AV13x1165	Weight:kg	0.11	NO.	NO.134-14		<p>KD2351</p> <table border="1"> <tr><td>Part No.</td><td>DZ13241824112</td></tr> <tr><td>CH part name</td><td>压缩机</td></tr> <tr><td>EN part name</td><td>Compressor assembly</td></tr> <tr><td>RU part name</td><td>компрессора</td></tr> <tr><td>Size:mm</td><td></td></tr> <tr><td>Weight:kg</td><td>7.39</td></tr> <tr><td>NO.</td><td>NO.134-13</td></tr> </table>	Part No.	DZ13241824112	CH part name	压缩机	EN part name	Compressor assembly	RU part name	компрессора	Size:mm		Weight:kg	7.39	NO.	NO.134-13
Part No.	DZ13241824601																														
CH part name	空调皮带																														
EN part name	The belt																														
RU part name	ремень																														
Size:mm	AV13x1165																														
Weight:kg	0.11																														
NO.	NO.134-14																														
Part No.	DZ13241824112																														
CH part name	压缩机																														
EN part name	Compressor assembly																														
RU part name	компрессора																														
Size:mm																															
Weight:kg	7.39																														
NO.	NO.134-13																														
Remarks: SHACMAN X3000 ISM		Remarks: SHACMAN WP12																													
	<p>KD2352</p> <table border="1"> <tr><td>Part No.</td><td>DZ13241824602</td></tr> <tr><td>CH part name</td><td>空调皮带</td></tr> <tr><td>EN part name</td><td>The belt</td></tr> <tr><td>RU part name</td><td>ремень</td></tr> <tr><td>Size:mm</td><td>AV13x1200</td></tr> <tr><td>Weight:kg</td><td>0.11</td></tr> <tr><td>NO.</td><td>NO.134-14</td></tr> </table>	Part No.	DZ13241824602	CH part name	空调皮带	EN part name	The belt	RU part name	ремень	Size:mm	AV13x1200	Weight:kg	0.11	NO.	NO.134-14		<p>KD2353</p> <table border="1"> <tr><td>Part No.</td><td>SZ915000001</td></tr> <tr><td>CH part name</td><td>空调皮带</td></tr> <tr><td>EN part name</td><td>The belt</td></tr> <tr><td>RU part name</td><td>ремень</td></tr> <tr><td>Size:mm</td><td>AV13x1215</td></tr> <tr><td>Weight:kg</td><td>0.13</td></tr> <tr><td>NO.</td><td>NO.134-14</td></tr> </table>	Part No.	SZ915000001	CH part name	空调皮带	EN part name	The belt	RU part name	ремень	Size:mm	AV13x1215	Weight:kg	0.13	NO.	NO.134-14
Part No.	DZ13241824602																														
CH part name	空调皮带																														
EN part name	The belt																														
RU part name	ремень																														
Size:mm	AV13x1200																														
Weight:kg	0.11																														
NO.	NO.134-14																														
Part No.	SZ915000001																														
CH part name	空调皮带																														
EN part name	The belt																														
RU part name	ремень																														
Size:mm	AV13x1215																														
Weight:kg	0.13																														
NO.	NO.134-14																														
Remarks: SHACMAN X3000 WP10 新M3000		Remarks: SHACMAN 热区、WP10 WD12、WP12EGR																													
	<p>KD2354</p> <table border="1"> <tr><td>Part No.</td><td>DZ14251841116</td></tr> <tr><td>CH part name</td><td>暖风组</td></tr> <tr><td>EN part name</td><td>Warm wind group</td></tr> <tr><td>RU part name</td><td>Батарея отопления</td></tr> <tr><td>Size:mm</td><td></td></tr> <tr><td>Weight:kg</td><td>0.82</td></tr> <tr><td>NO.</td><td>NO.135</td></tr> </table>	Part No.	DZ14251841116	CH part name	暖风组	EN part name	Warm wind group	RU part name	Батарея отопления	Size:mm		Weight:kg	0.82	NO.	NO.135		<p>KD2355</p> <table border="1"> <tr><td>Part No.</td><td>DZ14251841008</td></tr> <tr><td>CH part name</td><td>暖风水管成型软管</td></tr> <tr><td>EN part name</td><td>Forming a hose</td></tr> <tr><td>RU part name</td><td>Формовочный шланг</td></tr> <tr><td>Size:mm</td><td></td></tr> <tr><td>Weight:kg</td><td>0.21</td></tr> <tr><td>NO.</td><td>NO.135-2</td></tr> </table>	Part No.	DZ14251841008	CH part name	暖风水管成型软管	EN part name	Forming a hose	RU part name	Формовочный шланг	Size:mm		Weight:kg	0.21	NO.	NO.135-2
Part No.	DZ14251841116																														
CH part name	暖风组																														
EN part name	Warm wind group																														
RU part name	Батарея отопления																														
Size:mm																															
Weight:kg	0.82																														
NO.	NO.135																														
Part No.	DZ14251841008																														
CH part name	暖风水管成型软管																														
EN part name	Forming a hose																														
RU part name	Формовочный шланг																														
Size:mm																															
Weight:kg	0.21																														
NO.	NO.135-2																														
Remarks: SHACMAN		Remarks: SHACMAN X3000 DZ14251841107																													

SHACMAN(1)

HEATER DEVICE (WITH AIR CONDITION)		NO.135 X3000																													
		KD2357																													
			<table border="1"> <tr><td>Part No.</td><td>DZ14251845001</td></tr> <tr><td>CH part name</td><td>暖风水管铝管</td></tr> <tr><td>EN part name</td><td>Aluminum pipe for warm air pipe</td></tr> <tr><td>RU part name</td><td>Водопроводная труба</td></tr> <tr><td>Size:mm</td><td></td></tr> <tr><td>Weight:kg</td><td>0.75</td></tr> <tr><td>NO.</td><td>NO.135-3</td></tr> </table>	Part No.	DZ14251845001	CH part name	暖风水管铝管	EN part name	Aluminum pipe for warm air pipe	RU part name	Водопроводная труба	Size:mm		Weight:kg	0.75	NO.	NO.135-3														
Part No.	DZ14251845001																														
CH part name	暖风水管铝管																														
EN part name	Aluminum pipe for warm air pipe																														
RU part name	Водопроводная труба																														
Size:mm																															
Weight:kg	0.75																														
NO.	NO.135-3																														
Remarks: SHACMAN X3000 DZ14251845101																															
		KD2359																													
		<table border="1"> <tr><td>Part No.</td><td>DZ14251841007</td></tr> <tr><td>CH part name</td><td>暖风水管成型软管</td></tr> <tr><td>EN part name</td><td>Forming a hose</td></tr> <tr><td>RU part name</td><td>Формовочный шланг</td></tr> <tr><td>Size:mm</td><td></td></tr> <tr><td>Weight:kg</td><td>0.21</td></tr> <tr><td>NO.</td><td>NO.135-5</td></tr> </table>	Part No.	DZ14251841007	CH part name	暖风水管成型软管	EN part name	Forming a hose	RU part name	Формовочный шланг	Size:mm		Weight:kg	0.21	NO.	NO.135-5															
Part No.	DZ14251841007																														
CH part name	暖风水管成型软管																														
EN part name	Forming a hose																														
RU part name	Формовочный шланг																														
Size:mm																															
Weight:kg	0.21																														
NO.	NO.135-5																														
Remarks: SHACMAN X3000																															
KD2360		KD2361																													
	<table border="1"> <tr><td>Part No.</td><td>DZ14251841006</td></tr> <tr><td>CH part name</td><td>暖风水管铝管</td></tr> <tr><td>EN part name</td><td>Aluminum pipe for warm air pipe</td></tr> <tr><td>RU part name</td><td>Водопроводная труба</td></tr> <tr><td>Size:mm</td><td></td></tr> <tr><td>Weight:kg</td><td>0.36</td></tr> <tr><td>NO.</td><td>NO.135-6</td></tr> </table>	Part No.	DZ14251841006	CH part name	暖风水管铝管	EN part name	Aluminum pipe for warm air pipe	RU part name	Водопроводная труба	Size:mm		Weight:kg	0.36	NO.	NO.135-6		<table border="1"> <tr><td>Part No.</td><td>DZ14251841003</td></tr> <tr><td>CH part name</td><td>暖风水管成型</td></tr> <tr><td>EN part name</td><td>Forming a hose</td></tr> <tr><td>RU part name</td><td>Формовочный шланг</td></tr> <tr><td>Size:mm</td><td></td></tr> <tr><td>Weight:kg</td><td>0.12</td></tr> <tr><td>NO.</td><td>NO.135-7</td></tr> </table>	Part No.	DZ14251841003	CH part name	暖风水管成型	EN part name	Forming a hose	RU part name	Формовочный шланг	Size:mm		Weight:kg	0.12	NO.	NO.135-7
Part No.	DZ14251841006																														
CH part name	暖风水管铝管																														
EN part name	Aluminum pipe for warm air pipe																														
RU part name	Водопроводная труба																														
Size:mm																															
Weight:kg	0.36																														
NO.	NO.135-6																														
Part No.	DZ14251841003																														
CH part name	暖风水管成型																														
EN part name	Forming a hose																														
RU part name	Формовочный шланг																														
Size:mm																															
Weight:kg	0.12																														
NO.	NO.135-7																														
Remarks: SHACMAN X3000		Remarks: SHACMAN X3000																													
KD2362		KD2363																													
	<table border="1"> <tr><td>Part No.</td><td>DZ14251841013</td></tr> <tr><td>CH part name</td><td>暖风水阀</td></tr> <tr><td>EN part name</td><td>Warm wind water valve</td></tr> <tr><td>RU part name</td><td>Клапан отопления</td></tr> <tr><td>Size:mm</td><td></td></tr> <tr><td>Weight:kg</td><td>0.19</td></tr> <tr><td>NO.</td><td>NO.135-8</td></tr> </table>	Part No.	DZ14251841013	CH part name	暖风水阀	EN part name	Warm wind water valve	RU part name	Клапан отопления	Size:mm		Weight:kg	0.19	NO.	NO.135-8		<table border="1"> <tr><td>Part No.</td><td>DZ14251841004</td></tr> <tr><td>CH part name</td><td>暖风水管成型</td></tr> <tr><td>EN part name</td><td>Forming a hose</td></tr> <tr><td>RU part name</td><td>Формовочный шланг</td></tr> <tr><td>Size:mm</td><td></td></tr> <tr><td>Weight:kg</td><td>0.12</td></tr> <tr><td>NO.</td><td>NO.135-10</td></tr> </table>	Part No.	DZ14251841004	CH part name	暖风水管成型	EN part name	Forming a hose	RU part name	Формовочный шланг	Size:mm		Weight:kg	0.12	NO.	NO.135-10
Part No.	DZ14251841013																														
CH part name	暖风水阀																														
EN part name	Warm wind water valve																														
RU part name	Клапан отопления																														
Size:mm																															
Weight:kg	0.19																														
NO.	NO.135-8																														
Part No.	DZ14251841004																														
CH part name	暖风水管成型																														
EN part name	Forming a hose																														
RU part name	Формовочный шланг																														
Size:mm																															
Weight:kg	0.12																														
NO.	NO.135-10																														
Remarks: SHACMAN X3000		Remarks: SHACMAN X3000																													

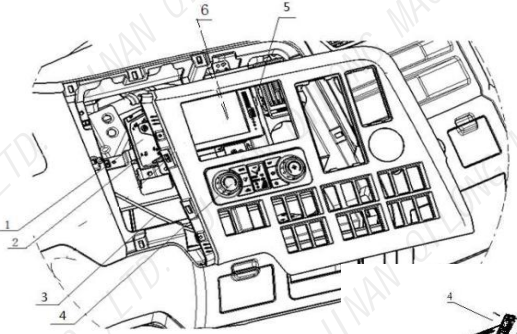
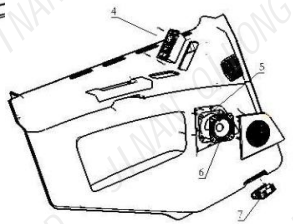
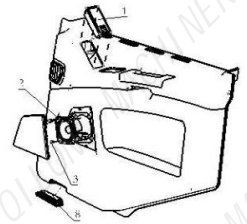






SHACMAN(1)

空调系统 AIR SYSTEM		NO.136 X3000																													
		KD2364																													
			<table border="1"> <tr><td>Part No.</td><td>DZ14251841005</td></tr> <tr><td>CH part name</td><td>暖风水管成型</td></tr> <tr><td>EN part name</td><td>Forming a hose</td></tr> <tr><td>RU part name</td><td>Формовочный шланг</td></tr> <tr><td>Size:mm</td><td></td></tr> <tr><td>Weight:kg</td><td>0.18</td></tr> <tr><td>NO.</td><td>NO.135-11</td></tr> </table>	Part No.	DZ14251841005	CH part name	暖风水管成型	EN part name	Forming a hose	RU part name	Формовочный шланг	Size:mm		Weight:kg	0.18	NO.	NO.135-11														
Part No.	DZ14251841005																														
CH part name	暖风水管成型																														
EN part name	Forming a hose																														
RU part name	Формовочный шланг																														
Size:mm																															
Weight:kg	0.18																														
NO.	NO.135-11																														
Remarks: SHACMAN X3000		KD2365																													
																															
		<table border="1"> <tr><td>Part No.</td><td>DZ14251841002</td></tr> <tr><td>CH part name</td><td>空调本体总成</td></tr> <tr><td>EN part name</td><td>air-condition Assembly</td></tr> <tr><td>RU part name</td><td>кондиционер</td></tr> <tr><td>Size:mm</td><td></td></tr> <tr><td>Weight:kg</td><td>10.8</td></tr> <tr><td>NO.</td><td>NO.136-A-1</td></tr> </table>	Part No.	DZ14251841002	CH part name	空调本体总成	EN part name	air-condition Assembly	RU part name	кондиционер	Size:mm		Weight:kg	10.8	NO.	NO.136-A-1															
Part No.	DZ14251841002																														
CH part name	空调本体总成																														
EN part name	air-condition Assembly																														
RU part name	кондиционер																														
Size:mm																															
Weight:kg	10.8																														
NO.	NO.136-A-1																														
Remarks: SHACMAN X3000		KD2366																													
		<table border="1"> <tr><td>Part No.</td><td>DZ14251841101</td></tr> <tr><td>CH part name</td><td>蒸发器总成</td></tr> <tr><td>EN part name</td><td>Evaporator core</td></tr> <tr><td>RU part name</td><td>Тело испарителя</td></tr> <tr><td>Size:mm</td><td></td></tr> <tr><td>Weight:kg</td><td>0.88</td></tr> <tr><td>NO.</td><td>NO.136-1</td></tr> </table>	Part No.	DZ14251841101	CH part name	蒸发器总成	EN part name	Evaporator core	RU part name	Тело испарителя	Size:mm		Weight:kg	0.88	NO.	NO.136-1	KD2367														
Part No.	DZ14251841101																														
CH part name	蒸发器总成																														
EN part name	Evaporator core																														
RU part name	Тело испарителя																														
Size:mm																															
Weight:kg	0.88																														
NO.	NO.136-1																														
Remarks: SHACMAN X3000																															
		<table border="1"> <tr><td>Part No.</td><td>DZ14251841102</td></tr> <tr><td>CH part name</td><td>暖风芯体总成</td></tr> <tr><td>EN part name</td><td>The heater core body</td></tr> <tr><td>RU part name</td><td>Тело отопления</td></tr> <tr><td>Size:mm</td><td></td></tr> <tr><td>Weight:kg</td><td>4</td></tr> <tr><td>NO.</td><td>NO.136-2</td></tr> </table>	Part No.	DZ14251841102	CH part name	暖风芯体总成	EN part name	The heater core body	RU part name	Тело отопления	Size:mm		Weight:kg	4	NO.	NO.136-2	Remarks: SHACMAN X3000														
Part No.	DZ14251841102																														
CH part name	暖风芯体总成																														
EN part name	The heater core body																														
RU part name	Тело отопления																														
Size:mm																															
Weight:kg	4																														
NO.	NO.136-2																														
KD2368		KD2369																													
																															
<table border="1"> <tr><td>Part No.</td><td>DZ14251841103</td></tr> <tr><td>CH part name</td><td>鼓风机电机总成</td></tr> <tr><td>EN part name</td><td>Blast motor assembly</td></tr> <tr><td>RU part name</td><td>Барабанный двигатель</td></tr> <tr><td>Size:mm</td><td></td></tr> <tr><td>Weight:kg</td><td>2</td></tr> <tr><td>NO.</td><td>NO.136-3</td></tr> </table>		Part No.	DZ14251841103	CH part name	鼓风机电机总成	EN part name	Blast motor assembly	RU part name	Барабанный двигатель	Size:mm		Weight:kg	2	NO.	NO.136-3	<table border="1"> <tr><td>Part No.</td><td>DZ97189585305</td></tr> <tr><td>CH part name</td><td>暖风电控单元</td></tr> <tr><td>EN part name</td><td>Warm air electrical control unit</td></tr> <tr><td>RU part name</td><td>Термоэлектрический блок</td></tr> <tr><td>Size:mm</td><td></td></tr> <tr><td>Weight:kg</td><td>0.3</td></tr> <tr><td>NO.</td><td>NO.136-4</td></tr> </table>		Part No.	DZ97189585305	CH part name	暖风电控单元	EN part name	Warm air electrical control unit	RU part name	Термоэлектрический блок	Size:mm		Weight:kg	0.3	NO.	NO.136-4
Part No.	DZ14251841103																														
CH part name	鼓风机电机总成																														
EN part name	Blast motor assembly																														
RU part name	Барабанный двигатель																														
Size:mm																															
Weight:kg	2																														
NO.	NO.136-3																														
Part No.	DZ97189585305																														
CH part name	暖风电控单元																														
EN part name	Warm air electrical control unit																														
RU part name	Термоэлектрический блок																														
Size:mm																															
Weight:kg	0.3																														
NO.	NO.136-4																														
Remarks: SHACMAN X3000		Remarks: SHACMAN X3000																													

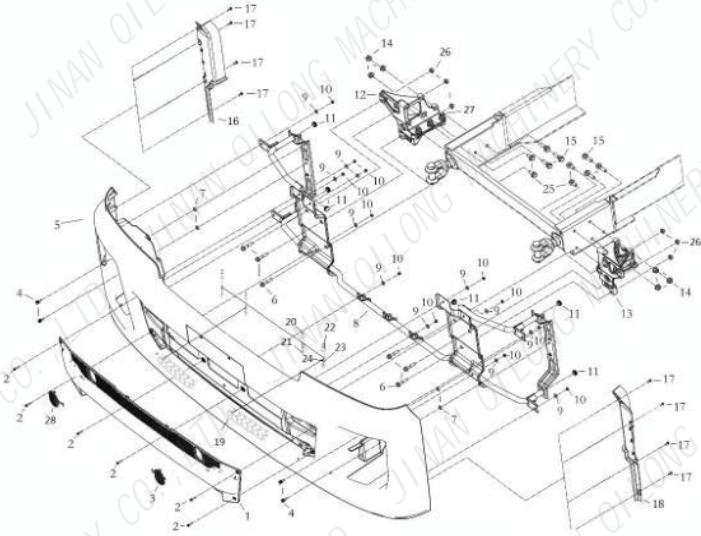



SHACMAN(1)

	<table border="1"> <tr><td>Part No.</td><td>DZ97189585302</td></tr> <tr><td>CH part name</td><td>混合风门电机</td></tr> <tr><td>EN part name</td><td>Hybrid damper motor</td></tr> <tr><td>RU part name</td><td>Машина смесителя</td></tr> <tr><td>Size:mm</td><td></td></tr> <tr><td>Weight:kg</td><td>0.15</td></tr> <tr><td>NO.</td><td>NO.136-5</td></tr> </table>	Part No.	DZ97189585302	CH part name	混合风门电机	EN part name	Hybrid damper motor	RU part name	Машина смесителя	Size:mm		Weight:kg	0.15	NO.	NO.136-5		<table border="1"> <tr><td>Part No.</td><td>DZ97189585304</td></tr> <tr><td>CH part name</td><td>除霜风门电机</td></tr> <tr><td>EN part name</td><td>Defrost damper motor</td></tr> <tr><td>RU part name</td><td>Машина для обморожения</td></tr> <tr><td>Size:mm</td><td></td></tr> <tr><td>Weight:kg</td><td>0.15</td></tr> <tr><td>NO.</td><td>NO.136-6</td></tr> </table>	Part No.	DZ97189585304	CH part name	除霜风门电机	EN part name	Defrost damper motor	RU part name	Машина для обморожения	Size:mm		Weight:kg	0.15	NO.	NO.136-6
Part No.	DZ97189585302																														
CH part name	混合风门电机																														
EN part name	Hybrid damper motor																														
RU part name	Машина смесителя																														
Size:mm																															
Weight:kg	0.15																														
NO.	NO.136-5																														
Part No.	DZ97189585304																														
CH part name	除霜风门电机																														
EN part name	Defrost damper motor																														
RU part name	Машина для обморожения																														
Size:mm																															
Weight:kg	0.15																														
NO.	NO.136-6																														
Remarks: SHACMAN		Remarks: SHACMAN X3000																													
	<table border="1"> <tr><td>Part No.</td><td>DZ97189585303</td></tr> <tr><td>CH part name</td><td>内外循环风门电机</td></tr> <tr><td>EN part name</td><td>Internal external circulating motor</td></tr> <tr><td>RU part name</td><td>Машина для циркуляции и снаружи</td></tr> <tr><td>Size:mm</td><td></td></tr> <tr><td>Weight:kg</td><td>0.15</td></tr> <tr><td>NO.</td><td>NO.136-7</td></tr> </table>	Part No.	DZ97189585303	CH part name	内外循环风门电机	EN part name	Internal external circulating motor	RU part name	Машина для циркуляции и снаружи	Size:mm		Weight:kg	0.15	NO.	NO.136-7		<table border="1"> <tr><td>Part No.</td><td>DZ13241821115</td></tr> <tr><td>CH part name</td><td>膨胀阀</td></tr> <tr><td>EN part name</td><td>Expansion valve</td></tr> <tr><td>RU part name</td><td>Расширительный клапан</td></tr> <tr><td>Size:mm</td><td></td></tr> <tr><td>Weight:kg</td><td>0.18</td></tr> <tr><td>NO.</td><td>NO.136-8</td></tr> </table>	Part No.	DZ13241821115	CH part name	膨胀阀	EN part name	Expansion valve	RU part name	Расширительный клапан	Size:mm		Weight:kg	0.18	NO.	NO.136-8
Part No.	DZ97189585303																														
CH part name	内外循环风门电机																														
EN part name	Internal external circulating motor																														
RU part name	Машина для циркуляции и снаружи																														
Size:mm																															
Weight:kg	0.15																														
NO.	NO.136-7																														
Part No.	DZ13241821115																														
CH part name	膨胀阀																														
EN part name	Expansion valve																														
RU part name	Расширительный клапан																														
Size:mm																															
Weight:kg	0.18																														
NO.	NO.136-8																														
Remarks: SHACMAN X3000		Remarks: SHACMAN F2000 F3000 X3000 新M3000																													
	<table border="1"> <tr><td>Part No.</td><td>DZ97189585301</td></tr> <tr><td>CH part name</td><td>模式风门转换器总</td></tr> <tr><td>EN part name</td><td>Mode damper converter total</td></tr> <tr><td>RU part name</td><td>Всегда есть переключатель</td></tr> <tr><td>Size:mm</td><td></td></tr> <tr><td>Weight:kg</td><td>0.15</td></tr> <tr><td>NO.</td><td>NO.136-9</td></tr> </table>	Part No.	DZ97189585301	CH part name	模式风门转换器总	EN part name	Mode damper converter total	RU part name	Всегда есть переключатель	Size:mm		Weight:kg	0.15	NO.	NO.136-9		<table border="1"> <tr><td>Part No.</td><td>DZ95189586575</td></tr> <tr><td>CH part name</td><td>车载显示屏</td></tr> <tr><td>EN part name</td><td>Car screen</td></tr> <tr><td>RU part name</td><td>Экранный экран</td></tr> <tr><td>Size:mm</td><td></td></tr> <tr><td>Weight:kg</td><td>1.5</td></tr> <tr><td>NO.</td><td>NO.137-1</td></tr> </table>	Part No.	DZ95189586575	CH part name	车载显示屏	EN part name	Car screen	RU part name	Экранный экран	Size:mm		Weight:kg	1.5	NO.	NO.137-1
Part No.	DZ97189585301																														
CH part name	模式风门转换器总																														
EN part name	Mode damper converter total																														
RU part name	Всегда есть переключатель																														
Size:mm																															
Weight:kg	0.15																														
NO.	NO.136-9																														
Part No.	DZ95189586575																														
CH part name	车载显示屏																														
EN part name	Car screen																														
RU part name	Экранный экран																														
Size:mm																															
Weight:kg	1.5																														
NO.	NO.137-1																														
Remarks: SHACMAN X3000		Remarks: SHACMAN X3000																													
	<table border="1"> <tr><td>Part No.</td><td>DZ97189586145</td></tr> <tr><td>CH part name</td><td>24V 收放机</td></tr> <tr><td>EN part name</td><td>Radio</td></tr> <tr><td>RU part name</td><td>Радиоприемник</td></tr> <tr><td>Size:mm</td><td>180*220*60</td></tr> <tr><td>Weight:kg</td><td>1.44</td></tr> <tr><td>NO.</td><td>NO.137-1</td></tr> </table>	Part No.	DZ97189586145	CH part name	24V 收放机	EN part name	Radio	RU part name	Радиоприемник	Size:mm	180*220*60	Weight:kg	1.44	NO.	NO.137-1		<table border="1"> <tr><td>Part No.</td><td>DZ97189585310</td></tr> <tr><td>CH part name</td><td>空调控制面板总成 (自动)</td></tr> <tr><td>EN part name</td><td>Air condition controller</td></tr> <tr><td>RU part name</td><td>Панель кондиционирования воздуха</td></tr> <tr><td>Size:mm</td><td></td></tr> <tr><td>Weight:kg</td><td></td></tr> <tr><td>NO.</td><td>NO.137-2</td></tr> </table>	Part No.	DZ97189585310	CH part name	空调控制面板总成 (自动)	EN part name	Air condition controller	RU part name	Панель кондиционирования воздуха	Size:mm		Weight:kg		NO.	NO.137-2
Part No.	DZ97189586145																														
CH part name	24V 收放机																														
EN part name	Radio																														
RU part name	Радиоприемник																														
Size:mm	180*220*60																														
Weight:kg	1.44																														
NO.	NO.137-1																														
Part No.	DZ97189585310																														
CH part name	空调控制面板总成 (自动)																														
EN part name	Air condition controller																														
RU part name	Панель кондиционирования воздуха																														
Size:mm																															
Weight:kg																															
NO.	NO.137-2																														
Remarks: SHACMAN X3000		Remarks: SHACMAN X3000																													

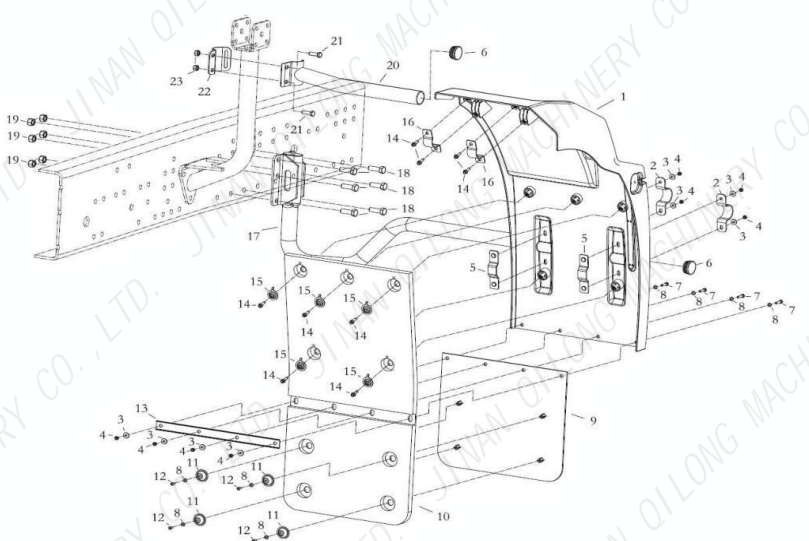






SHACMAN(1)

AIR CONDITIONING CONTROL SYSTEM , RADIO		NO.137 X3000		KD2378					
				Part No.	DZ97189585120				
				CH part name	右车门控制模块				
				EN part name	Window lifter controller				
				RU part name	Правый модуль управления				
				Size:mm					
				Weight:kg	0.1				
				NO.	NO.137-1				
				Remarks: SHACMAN X3000					
				KD2379					
					Part No.	DZ97189585110			
CH part name	左车门控制模块								
EN part name	Window lifter controller								
RU part name	Левый модуль управления								
Size:mm									
Weight:kg	0.15								
NO.	NO.137-4								
Remarks: SHACMAN X3000									
KD2380		KD2381		KD2381					
	Part No.	DZ97189585115		Part No.	DZ97189585113				
	CH part name	HX中控锁遥控器		CH part name	主车门控制模块				
	EN part name	Central lock remote control		EN part name	Main door control module				
	RU part name	Дистанционный пульт управления		RU part name	Главный модуль управления дверью				
	Size:mm			Size:mm					
	Weight:kg	0.11		Weight:kg	0.1				
	NO.	NO.137-4		NO.	NO.137-4				
Remarks: SHACMAN X3000			Remarks: SHACMAN X3000						
KD2382		KD2383		KD2383					
	Part No.	DZ97189586120		Part No.	DZ97189721310 /320				
	CH part name	低音扬声器		CH part name	左右踏步灯				
	EN part name	Loudhailer		EN part name	Left-right Doorlamp				
	RU part name	Двойной сдвоенный		RU part name	Педальная вольфрамовая точечная дуговая				
	Size:mm			Size:mm					
	Weight:kg	1.05		Weight:kg	0.12				
	NO.	NO.137-5		NO.	NO.137-7-8				
Remarks: SHACMAN X3000			Remarks: SHACMAN X3000						







SHACMAN(1)

bumper		NO.138	X3000	KD2384		
	Part No.			Part No.	DZ97189621021	
	CH part name			CH part name	保险杠本体	
	EN part name			EN part name	Bumper body	
	RU part name			RU part name	бензобак	
	Size:mm			Size:mm		
	Weight:kg			Weight:kg	8	
	NO.			NO.	NO.138-5	
	Remarks: SHACMAN X3000 tractor					
	KD2385					
		Part No.			Part No.	DZ97189621016
CH part name				CH part name	保险杠前格栅	
EN part name				EN part name	Front bumper grille	
RU part name				RU part name	Передняя решетка	
Size:mm				Size:mm		
Weight:kg				Weight:kg	0.35	
NO.			NO.	NO.138-1		
Remarks: SHACMAN X3000						
KD2386				KD2387		
	Part No.	DZ97189621044/043		Part No.	DZ97259623110	
	CH part name	保险杠左右拖钩盖板		CH part name	SCB_保险杠本体焊接总成	
	EN part name	Towing hook plate		EN part name	bumper	
	RU part name	Накладка буксирного крюка		RU part name	бампер	
	Size:mm			Size:mm		
	Weight:kg	0.11		Weight:kg	20.1	
NO.	NO.138-3-11		NO.	NO.138-5		
Remarks: SHACMAN X3000 DZ97189621045			Remarks: SHACMAN X3000 Dump truck DZ97259623010			
KD2388				KD2389		
	Part No.	DZ97189621030		Part No.	DZ97189621012	
	CH part name	保险杠固定支架总成		CH part name	保险杠右安装座	
	EN part name	Fixed bracket		EN part name	Bumper right mount	
	RU part name	Неподвижная крепь		RU part name	Бампер на правой установке	
	Size:mm			Size:mm		
	Weight:kg	5.8		Weight:kg	8.5	
NO.	NO.138-8		NO.	NO.138-12		
Remarks: SHACMAN X3000			Remarks: SHACMAN X3000			

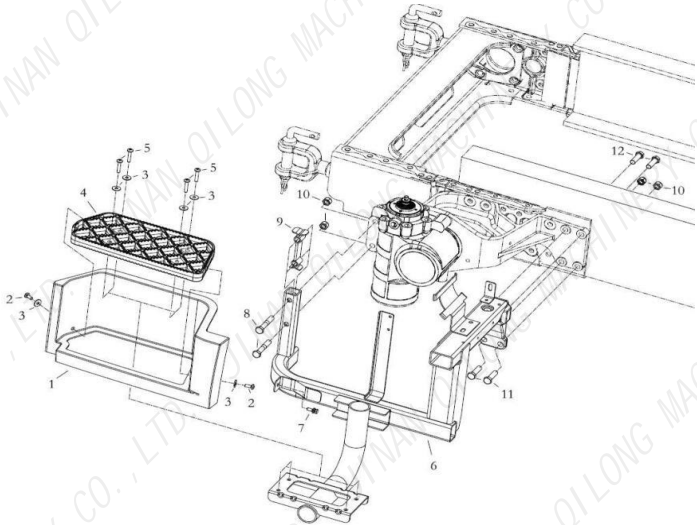






SHACMAN(1)

Rear fender		NO.139 X3000	
	KD2390		
			
	Part No.	DZ97189621011	
	CH part name	保险杠左安装座	
	EN part name	Left mount of bumper	
	RU part name	Бампер на левом установке	
	Size:mm		
	Weight:kg	8.5	
	NO.	NO.138-13	
	Remarks: SHACMAN X3000		
KD2391			
			
Part No.	DZ14251230021		
CH part name	左后翼子板		
EN part name	Left rear fender		
RU part name	Подставка левого крыла		
Size:mm			
Weight:kg			
NO.	NO.139-1		
Remarks: SHACMAN X3000 牵引车			
KD2392			
	Part No.	DZ14251230100	
	CH part name	左后翼子板支架总成	
	EN part name	Left rear fender bracket	
	RU part name	Задняя кронштейн левого крыла	
	Size:mm		
	Weight:kg		
	NO.	NO.139-17	
Remarks: SHACMAN			
KD2393			
	Part No.	DZ14251230022	
	CH part name	右后翼子板	
	EN part name	Right rear fender	
	RU part name	Правый задняя доска	
	Size:mm		
	Weight:kg		
	NO.	NO.139-1	
Remarks: SHACMAN X3000 牵引车			
KD2394			
	Part No.	DZ14251230110	
	CH part name	右后翼子板支架总成	
	EN part name	Right rear fender bracket	
	RU part name	Подпорная подпорная крепь	
	Size:mm		
	Weight:kg		
	NO.	NO.139-17	
Remarks: SHACMAN			
KD2395			
	Part No.	DZ14251230040	
	CH part name	右前支架总成	
	EN part name	Right front bracket	
	RU part name	Правая стойка	
	Size:mm		
	Weight:kg		
	NO.	NO.139-20	
Remarks: SHACMAN			

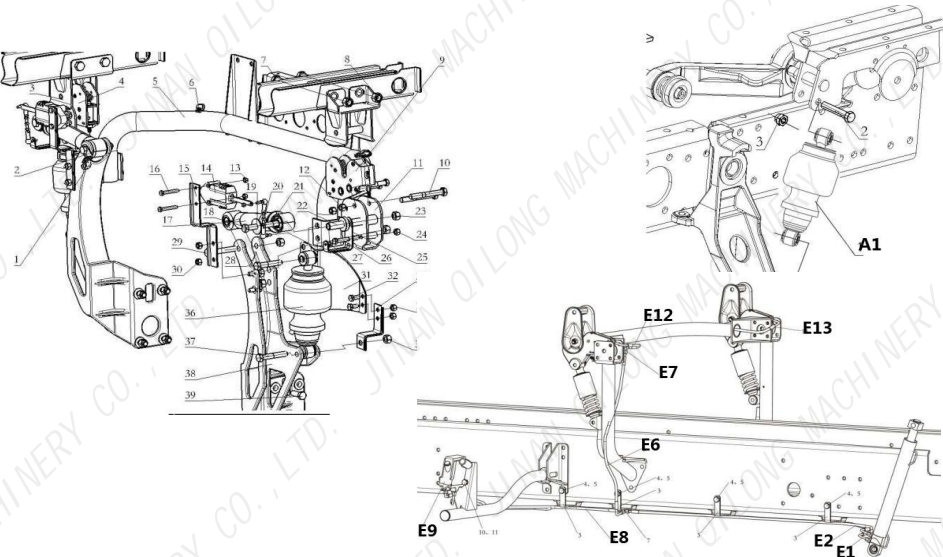


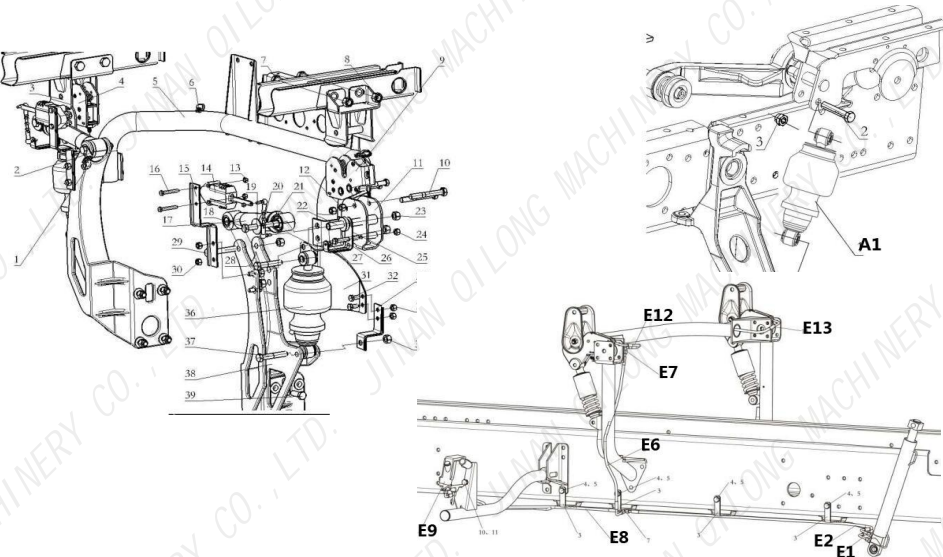

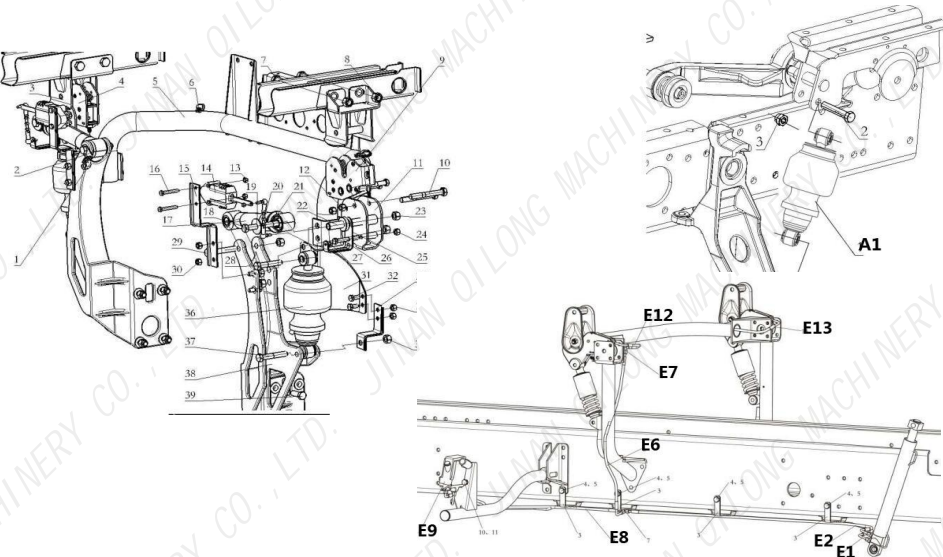

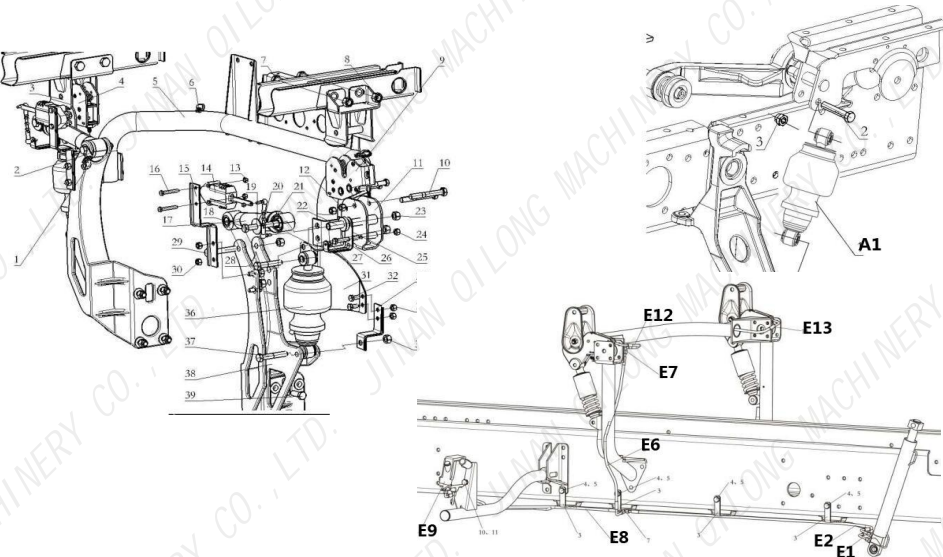

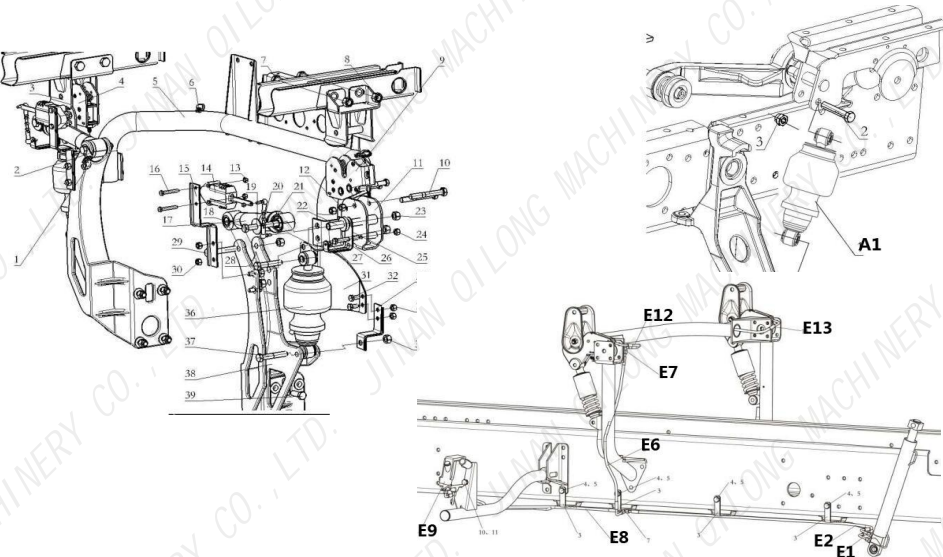

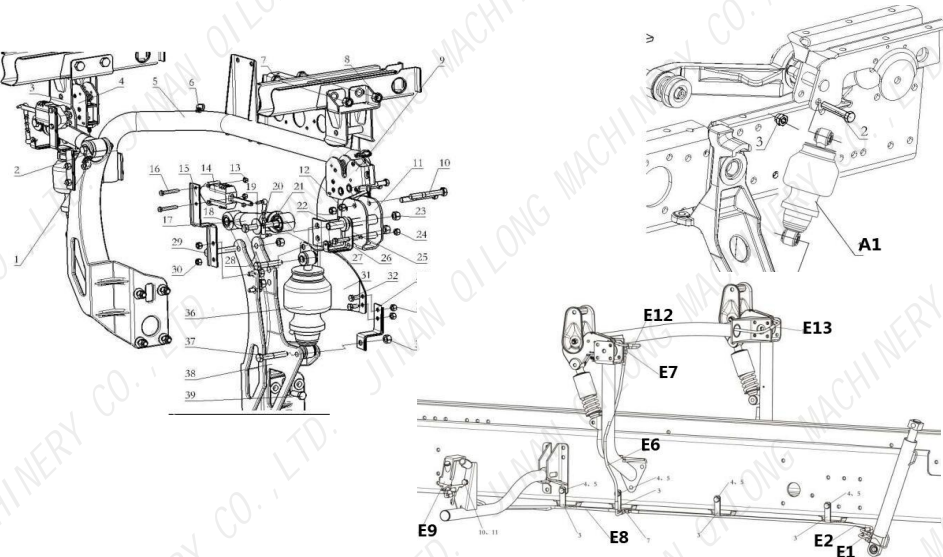
SHACMAN(1)

Lamps and lanterns		NO.140 X3000	
		KD2396	
			
		Part No.	DZ14251230010
		CH part name	左前支架总成
		EN part name	The left front
		RU part name	Левая стойка
Size:mm			
Weight:kg			
NO.	NO.139-20		
Remarks: SHACMAN X3000			
		KD2397	
			
		Part No.	DZ97189723210
		CH part name	左前组合灯
		EN part name	Headlamps assembly left
		RU part name	Передняя комбинированная лампа
Size:mm			
Weight:kg	4		
NO.	NO.140-1		
Remarks: SHACMAN X3000			
KD2398		KD2399	
			
Part No.	DZ97189723240	Part No.	DZ97189723220
CH part name	右前组合灯	CH part name	右前组合灯
EN part name	Headlamps assembly right	EN part name	Headlamps assembly right
RU part name	Передняя комбинированная лампа	RU part name	Передняя комбинированная лампа
Size:mm		Size:mm	
Weight:kg	3.5	Weight:kg	4
NO.	NO.140-4	NO.	NO.140-2
Remarks: SHACMAN X3000 truck		Remarks: SHACMAN X3000	
KD2400		KD2401	
			
Part No.	DZ97189723230	Part No.	DZ97189721330
CH part name	左前组合灯	CH part name	左侧转向灯
EN part name	Headlamps assembly left	EN part name	leftFlashers
RU part name	Передняя комбинированная лампа	RU part name	Левый поворотный фонарь
Size:mm		Size:mm	
Weight:kg	3.5	Weight:kg	0.15
NO.	NO.140-3	NO.	NO.140-5
Remarks: SHACMAN X3000 truck		Remarks: SHACMAN X3000	


SHACMAN(1)

Get on the car pedal		NO.141 X3000	
	KD2402		
			Part No. DZ97189721340 CH part name 右侧转向灯 EN part name rightFlashers RU part name Правый поворотный фонарь Size:mm Weight:kg 0.15 NO. NO.140-5
	Remarks: SHACMAN X3000		
	KD2403		
			Part No. DZ14251240051 CH part name 一级踏板本体 (左) EN part name Step 1 body (left) RU part name Педаль первого класса (слева) Size:mm Weight:kg NO. NO.141-1
	Remarks: SHACMAN X3000		
	KD2404		
		Part No. DZ14251240053 CH part name 一级踏板 (左) EN part name First step (left) RU part name Педаль первой ступени (слева) Size:mm Weight:kg NO. NO.141-4	
	Remarks: SHACMAN		
	KD2405		
	Part No. DZ14251240052 CH part name 一级踏板本体 (右) EN part name Step 1 body (right) RU part name Педаль первого класса (право) Size:mm Weight:kg NO. NO.141-1		
Remarks: SHACMAN X3000			
KD2406			
	Part No. DZ14251240054 CH part name 一级踏板 (右) EN part name First step (right) RU part name Педаль первой ступени (право) Size:mm Weight:kg NO. NO.141-4		
Remarks: SHACMAN			
KD2407			
	Part No. DZ14251240190 CH part name 一级踏板支架焊接总成 (左) EN part name First step pedal bracket welding RU part name Сварка первой ступени Size:mm Weight:kg NO. NO.141-6		
Remarks: SHACMAN X3000 DZ14251240070			

SHACMAN(1)

CAB TILTING MECHANISM L.H. DRIVE VEHICLE		NO.142	X3000	KD2408	
	Part No.	DZ14251240200			
	CH part name	一级踏板支架焊接总成 (右)			
	EN part name	First step pedal bracket welding			
	RU part name	Сварка первой ступени			
	Size:mm				
	Weight:kg				
NO.	NO.141-6				
Remarks: SHACMAN X3000 DZ14251240100				KD2409	
	Part No.	DZ14251430020			
	CH part name	空气弹簧(前)			
	EN part name	Spring strut			
	RU part name	Воздушный пружина			
	Size:mm				
	Weight:kg				
NO.	NO.142-A1				
Remarks: SHACMAN X3000				KD2410	
	Part No.	DZ13241440085			
	CH part name	驾驶室锁止			
	EN part name	Bridge lock			
	RU part name	Запирание кабины лётчика			
	Size:mm				
	Weight:kg	1.54			
NO.	NO.142-4				
Remarks: SHACMAN X3000				KD2411	
	Part No.	DZ14251440020			
	CH part name	空气弹簧(后)			
	EN part name	Spring strut			
	RU part name	Воздушный пружина			
	Size:mm				
	Weight:kg				
NO.	NO.142-36				
Remarks: SHACMAN X3000				KD2412	
	Part No.	DZ14251440123			
	CH part name	固定横梁总成			
	EN part name	Fixed beam assembly			
	RU part name	Фиксированная балка в сборе			
	Size:mm				
	Weight:kg				
NO.	NO.142-5				
Remarks: SHACMAN X3000				KD2413	
	Part No.	DZ13241440090			
	CH part name	无接头驾驶室锁止			
	EN part name	Bridge lock			
	RU part name	Запирание кабины лётчика			
	Size:mm				
	Weight:kg	1.5			
NO.	NO.142-9				
Remarks: SHACMAN X3000				Remarks: SHACMAN	

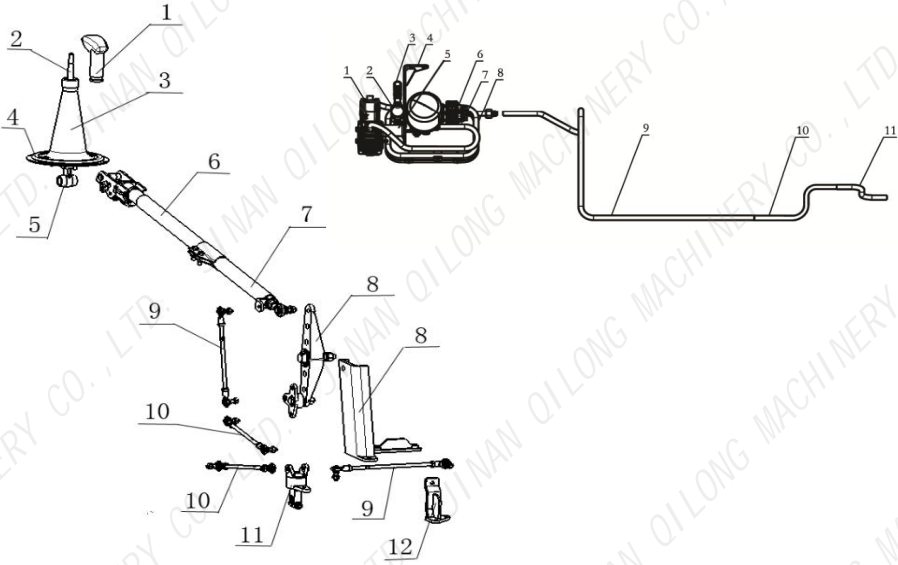






SHACMAN(1)

	<table border="1"> <tr><td>Part No.</td><td>DZ13241440080</td></tr> <tr><td>CH part name</td><td>减振器(后悬横向)</td></tr> <tr><td>EN part name</td><td>Shock absorber (lateral rear suspension)</td></tr> <tr><td>RU part name</td><td>Амортизатор (с последующим подвесом)</td></tr> <tr><td>Size:mm</td><td>290.5</td></tr> <tr><td>Weight:kg</td><td>0.43</td></tr> <tr><td>NO.</td><td>NO.142-17</td></tr> </table>	Part No.	DZ13241440080	CH part name	减振器(后悬横向)	EN part name	Shock absorber (lateral rear suspension)	RU part name	Амортизатор (с последующим подвесом)	Size:mm	290.5	Weight:kg	0.43	NO.	NO.142-17		<table border="1"> <tr><td>Part No.</td><td>DZ13241440046</td></tr> <tr><td>CH part name</td><td>调节杆总成</td></tr> <tr><td>EN part name</td><td>Regulating lever assembly</td></tr> <tr><td>RU part name</td><td>Штампованный стержень</td></tr> <tr><td>Size:mm</td><td></td></tr> <tr><td>Weight:kg</td><td></td></tr> <tr><td>NO.</td><td>NO.142-20</td></tr> </table>	Part No.	DZ13241440046	CH part name	调节杆总成	EN part name	Regulating lever assembly	RU part name	Штампованный стержень	Size:mm		Weight:kg		NO.	NO.142-20
Part No.	DZ13241440080																														
CH part name	减振器(后悬横向)																														
EN part name	Shock absorber (lateral rear suspension)																														
RU part name	Амортизатор (с последующим подвесом)																														
Size:mm	290.5																														
Weight:kg	0.43																														
NO.	NO.142-17																														
Part No.	DZ13241440046																														
CH part name	调节杆总成																														
EN part name	Regulating lever assembly																														
RU part name	Штампованный стержень																														
Size:mm																															
Weight:kg																															
NO.	NO.142-20																														
Remarks: SHACMAN X3000		Remarks: SHACMAN X3000 新M3000 F3000																													
	<table border="1"> <tr><td>Part No.</td><td>DZ13241440047</td></tr> <tr><td>CH part name</td><td>左后悬置支架</td></tr> <tr><td>EN part name</td><td>Left rear mount bracket</td></tr> <tr><td>RU part name</td><td>Задняя подвеска слева</td></tr> <tr><td>Size:mm</td><td></td></tr> <tr><td>Weight:kg</td><td>1.5</td></tr> <tr><td>NO.</td><td>NO.142-38</td></tr> </table>	Part No.	DZ13241440047	CH part name	左后悬置支架	EN part name	Left rear mount bracket	RU part name	Задняя подвеска слева	Size:mm		Weight:kg	1.5	NO.	NO.142-38		<table border="1"> <tr><td>Part No.</td><td>DZ13241440048</td></tr> <tr><td>CH part name</td><td>右后悬置支架</td></tr> <tr><td>EN part name</td><td>Right rear mount bracket</td></tr> <tr><td>RU part name</td><td>Задняя подвеска справа</td></tr> <tr><td>Size:mm</td><td></td></tr> <tr><td>Weight:kg</td><td>1.5</td></tr> <tr><td>NO.</td><td>NO.142-38</td></tr> </table>	Part No.	DZ13241440048	CH part name	右后悬置支架	EN part name	Right rear mount bracket	RU part name	Задняя подвеска справа	Size:mm		Weight:kg	1.5	NO.	NO.142-38
Part No.	DZ13241440047																														
CH part name	左后悬置支架																														
EN part name	Left rear mount bracket																														
RU part name	Задняя подвеска слева																														
Size:mm																															
Weight:kg	1.5																														
NO.	NO.142-38																														
Part No.	DZ13241440048																														
CH part name	右后悬置支架																														
EN part name	Right rear mount bracket																														
RU part name	Задняя подвеска справа																														
Size:mm																															
Weight:kg	1.5																														
NO.	NO.142-38																														
Remarks: SHACMAN X3000 WP12		Remarks: SHACMAN X3000 WP12																													
	<table border="1"> <tr><td>Part No.</td><td>DZ13241440147</td></tr> <tr><td>CH part name</td><td>左后悬置支架</td></tr> <tr><td>EN part name</td><td>Left rear mount bracket</td></tr> <tr><td>RU part name</td><td>Задняя подвеска слева</td></tr> <tr><td>Size:mm</td><td></td></tr> <tr><td>Weight:kg</td><td>1.5</td></tr> <tr><td>NO.</td><td>NO.142-38</td></tr> </table>	Part No.	DZ13241440147	CH part name	左后悬置支架	EN part name	Left rear mount bracket	RU part name	Задняя подвеска слева	Size:mm		Weight:kg	1.5	NO.	NO.142-38		<table border="1"> <tr><td>Part No.</td><td>DZ13241440148</td></tr> <tr><td>CH part name</td><td>右后悬置支架</td></tr> <tr><td>EN part name</td><td>Right rear mount bracket</td></tr> <tr><td>RU part name</td><td>Задняя подвеска справа</td></tr> <tr><td>Size:mm</td><td></td></tr> <tr><td>Weight:kg</td><td>1.5</td></tr> <tr><td>NO.</td><td>NO.142-38</td></tr> </table>	Part No.	DZ13241440148	CH part name	右后悬置支架	EN part name	Right rear mount bracket	RU part name	Задняя подвеска справа	Size:mm		Weight:kg	1.5	NO.	NO.142-38
Part No.	DZ13241440147																														
CH part name	左后悬置支架																														
EN part name	Left rear mount bracket																														
RU part name	Задняя подвеска слева																														
Size:mm																															
Weight:kg	1.5																														
NO.	NO.142-38																														
Part No.	DZ13241440148																														
CH part name	右后悬置支架																														
EN part name	Right rear mount bracket																														
RU part name	Задняя подвеска справа																														
Size:mm																															
Weight:kg	1.5																														
NO.	NO.142-38																														
Remarks: SHACMAN X3000 ISM11E4		Remarks: SHACMAN X3000 ISM11E4																													
	<table border="1"> <tr><td>Part No.</td><td>DZ93259820051</td></tr> <tr><td>CH part name</td><td>高压软管</td></tr> <tr><td>EN part name</td><td>High pressure hose</td></tr> <tr><td>RU part name</td><td>шланг высокого давления</td></tr> <tr><td>Size:mm</td><td>2400*10</td></tr> <tr><td>Weight:kg</td><td>0.25</td></tr> <tr><td>NO.</td><td>NO.142-E1</td></tr> </table>	Part No.	DZ93259820051	CH part name	高压软管	EN part name	High pressure hose	RU part name	шланг высокого давления	Size:mm	2400*10	Weight:kg	0.25	NO.	NO.142-E1		<table border="1"> <tr><td>Part No.</td><td>DZ93259820052</td></tr> <tr><td>CH part name</td><td>高压油管</td></tr> <tr><td>EN part name</td><td>High pressure hose</td></tr> <tr><td>RU part name</td><td>шланг высокого давления</td></tr> <tr><td>Size:mm</td><td>2400</td></tr> <tr><td>Weight:kg</td><td>0.25</td></tr> <tr><td>NO.</td><td>NO.142-E2</td></tr> </table>	Part No.	DZ93259820052	CH part name	高压油管	EN part name	High pressure hose	RU part name	шланг высокого давления	Size:mm	2400	Weight:kg	0.25	NO.	NO.142-E2
Part No.	DZ93259820051																														
CH part name	高压软管																														
EN part name	High pressure hose																														
RU part name	шланг высокого давления																														
Size:mm	2400*10																														
Weight:kg	0.25																														
NO.	NO.142-E1																														
Part No.	DZ93259820052																														
CH part name	高压油管																														
EN part name	High pressure hose																														
RU part name	шланг высокого давления																														
Size:mm	2400																														
Weight:kg	0.25																														
NO.	NO.142-E2																														
Remarks: SHACMAN X3000		Remarks: SHACMAN X3000																													

SHACMAN(1)

KD2422				KD2423			
	Part No.	DZ93259820054			Part No.	DZ93259820053	
	CH part name	高压软管			CH part name	高压软管	
	EN part name	High pressure hose			EN part name	High pressure hose	
	RU part name	шланг высокого давления			RU part name	шланг высокого давления	
	Size:mm	900*10			Size:mm	1080*10	
	Weight:kg	0.16			Weight:kg	0.25	
	NO.	NO.142-E6			NO.	NO.142-E8	
Remarks: SHACMAN X3000				Remarks: SHACMAN X3000			
KD2424				KD2425			
	Part No.	DZ93259820028			Part No.	DZ93259820040	
	CH part name	电动翻转油泵/左置			CH part name	高压软管	
	EN part name	Electric tilting oil pump			EN part name	High pressure hose	
	RU part name	Электро-масляный насос			RU part name	шланг высокого давления	
	Size:mm				Size:mm	800*10	
	Weight:kg	7.55			Weight:kg	0.25	
	NO.	NO.142-E9			NO.	NO.142-E12	
Remarks: SHACMAN DZ93259820020				Remarks: SHACMAN X3000			
KD2426				KD2427			
	Part No.	DZ93259820043			Part No.	DZ93259240067	
	CH part name	高压软管			CH part name	12档换挡手柄	
	EN part name	High pressure hose			EN part name	Shift lever	
	RU part name	шланг высокого давления			RU part name	ручка переключения передач	
	Size:mm	400.5*10			Size:mm	150*60*50	
	Weight:kg	0.25			Weight:kg	0.16	
	NO.	NO.142-E13			NO.	NO.142A-1	
Remarks: SHACMAN X3000				Remarks: SHACMAN 12JS160T-1708010-17			
KD2428				KD2429			
	Part No.	DZ95259240342			Part No.	DZ95259240328	
	CH part name	防尘罩			CH part name	操纵器总成	
	EN part name	Dust cover			EN part name	Manipulator assembly	
	RU part name	пылеуловитель			RU part name	Управление в сборе	
	Size:mm				Size:mm		
	Weight:kg	0.15			Weight:kg	3.5	
	NO.	NO.142A-3			NO.	NO.142A-2	
Remarks: SHACMAN X3000 新M3000				Remarks: SHACMAN X3000			



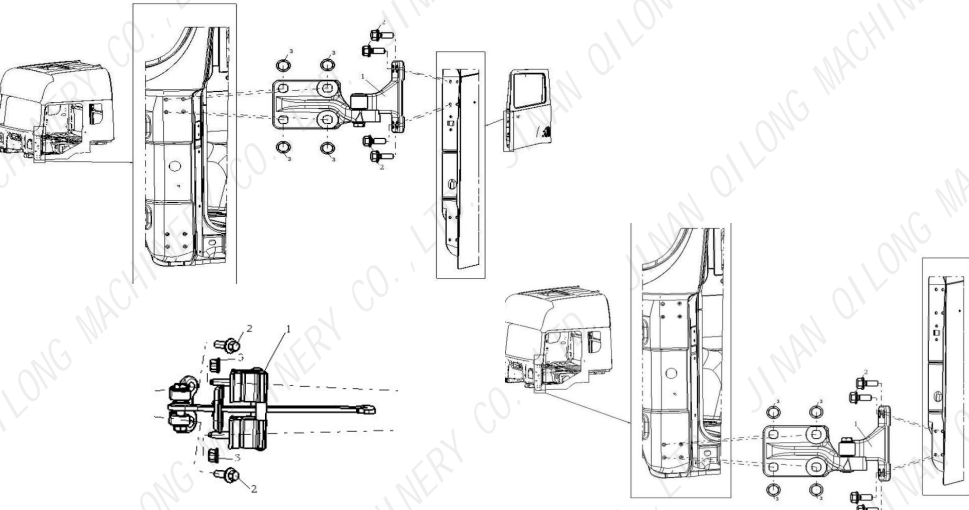




SHACMAN(1)

SHIFTING DEVECE/AIR COMPRESSOR OUTER LINE		NO.142A X3000		KD2430			
						Part No.	DZ95259240331
						CH part name	伸缩硬杆总成
						EN part name	Drawtube
						RU part name	Телескопическая жёсткость
						Size:mm	
						Weight:kg	2.2
						NO.	NO.142A-6
Remarks: SHACMAN X3000				KD2431			
				Part No.	DZ95259240555		
				CH part name	硬杆连接管总成		
				EN part name	Hard-rod joint pipe		
				RU part name	Соединительная труба с жестким рычагом		
				Size:mm			
				Weight:kg	1.5		
				NO.	NO.142A-7		
Remarks: SHACMAN X3000				KD2432			
				Part No.	DZ95259240559		
				CH part name	中间换力器总成		
				EN part name	Force Control		
				RU part name	Промежуточный коммутатор		
				Size:mm			
				Weight:kg	0.35		
				NO.	NO.142A-8		
Remarks: SHACMAN F3000 X3000 DZ95259240333				KD2433			
				Part No.	DZ95259240565		
				CH part name	连接杆总成		
				EN part name	Bininy Mechanism		
				RU part name	Соединительная тяга		
				Size:mm			
				Weight:kg	0.4		
				NO.	NO.142A-9		
Remarks: SHACMAN X3000				KD2434			
				Part No.	DZ96259240527		
				CH part name	E 型转换机构		
				EN part name	Converter		
				RU part name	Механизм преобразования		
				Size:mm			
				Weight:kg	1.5		
				NO.	NO.142A-11		
Remarks: SHACMAN X3000 新M3000				KD2435			
				Part No.	DZ95259240556		
				CH part name	连接杆总成		
				EN part name	Bininy Mechanism		
				RU part name	Соединительная тяга		
				Size:mm	310*9		
				Weight:kg	0.5		
				NO.	NO.142A-10		
Remarks: SHACMAN							



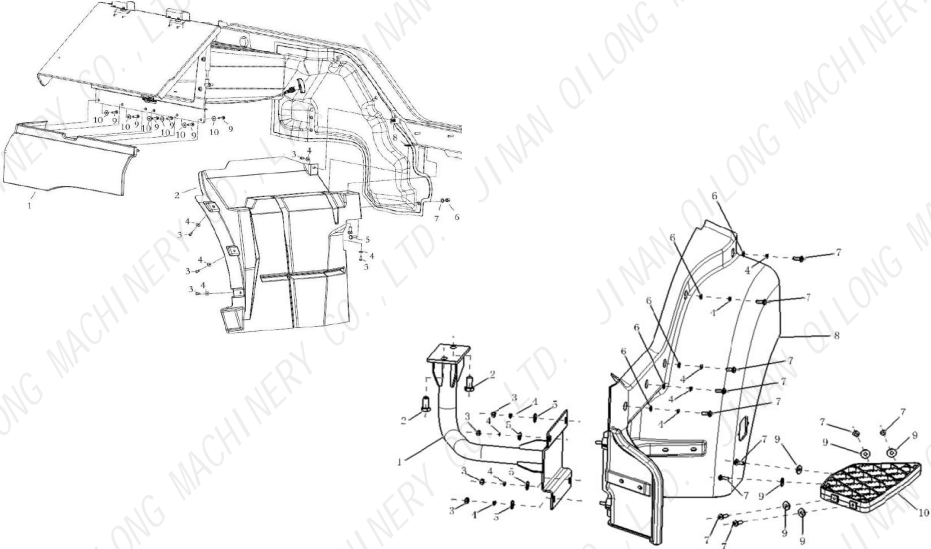



SHACMAN(1)

	<p>Part No. DZ97259360017</p> <p>CH part name 油水分离器</p> <p>EN part name Oil-water separator</p> <p>RU part name Масляный сепаратор</p> <p>Size:mm</p> <p>Weight:kg 0.56</p> <p>NO. NO.142A-1</p>		<p>Part No. DZ9100360320</p> <p>CH part name 带单向阀的五通分气接头</p> <p>EN part name Five vent connection</p> <p>RU part name Пять декорации</p> <p>Size:mm</p> <p>Weight:kg 0.2</p> <p>NO. NO.142A-3</p>
Remarks: SHACMAN 新M3000 X3000		Remarks: SHACMAN 新M3000 X3000	
	<p>Part No. DZ96189369474</p> <p>CH part name 空气处理单元</p> <p>EN part name Air processing unit</p> <p>RU part name воздухозаборник</p> <p>Size:mm</p> <p>Weight:kg</p> <p>NO. NO.142A-6</p>		<p>Part No. DZ97259360013</p> <p>CH part name 钢管总成</p> <p>EN part name Steel tube assembly</p> <p>RU part name Стальная труба</p> <p>Size:mm Ф20</p> <p>Weight:kg</p> <p>NO. NO.142A-8</p>
Remarks: SHACMAN 新M3000 X3000 DZ96189360000 DZ96189360003		Remarks: SHACMAN 新M3000 X3000	
	<p>Part No. FDC15221100001Z</p> <p>CH part name 加长高顶驾驶室总成</p> <p>EN part name Longer and taller cab assembly</p> <p>RU part name Увеличенная кабина</p> <p>Size:mm</p> <p>Weight:kg</p> <p>NO.</p>		<p>Part No. FDC15221100003Z</p> <p>CH part name 标准驾驶室总成</p> <p>EN part name Standard cab assembly</p> <p>RU part name Стандартная кабина</p> <p>Size:mm</p> <p>Weight:kg</p> <p>NO.</p>
Remarks: SHACMAN 新M3000		Remarks: SHACMAN 新M3000	
	<p>Part No. FDC15221100002Z</p> <p>CH part name 加长半高顶驾驶室总成</p> <p>EN part name Lengthened half height bridge</p> <p>RU part name Увеличенная верхняя кабина</p> <p>Size:mm</p> <p>Weight:kg</p> <p>NO.</p>		<p>Part No. DZ15221210126</p> <p>CH part name 左车门上铰链</p> <p>EN part name Left door hinge</p> <p>RU part name Петля на левой машине</p> <p>Size:mm</p> <p>Weight:kg 0.55</p> <p>NO. NO.143</p>
Remarks: SHACMAN 新M3000		Remarks: SHACMAN 新M3000	



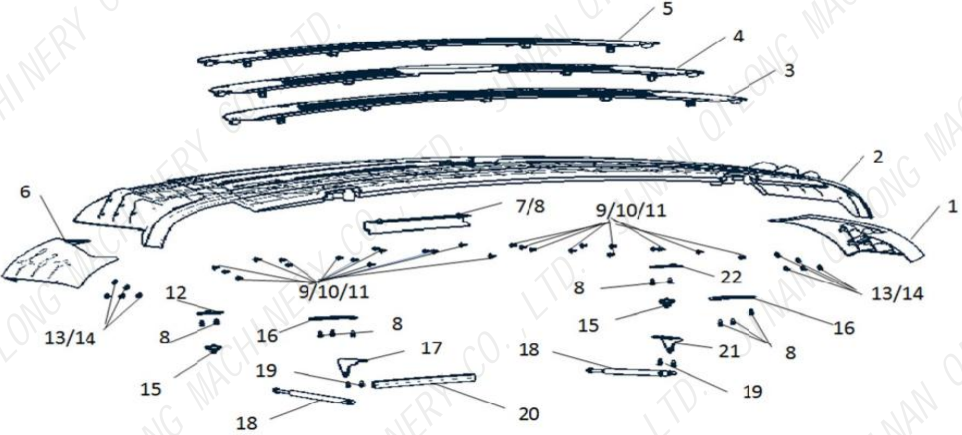




SHACMAN(1)

	<table border="1"> <tr><td>Part No.</td><td>DZ15221210226</td></tr> <tr><td>CH part name</td><td>右车门上铰链</td></tr> <tr><td>EN part name</td><td>Right door hinge</td></tr> <tr><td>RU part name</td><td>Петля на правой двери</td></tr> <tr><td>Size:mm</td><td></td></tr> <tr><td>Weight:kg</td><td>0.55</td></tr> <tr><td>NO.</td><td>NO.143</td></tr> </table>	Part No.	DZ15221210226	CH part name	右车门上铰链	EN part name	Right door hinge	RU part name	Петля на правой двери	Size:mm		Weight:kg	0.55	NO.	NO.143		<table border="1"> <tr><td>Part No.</td><td>DZ15221210127</td></tr> <tr><td>CH part name</td><td>左车门下铰链</td></tr> <tr><td>EN part name</td><td>Left door under hinge</td></tr> <tr><td>RU part name</td><td>Дверь налево и направо</td></tr> <tr><td>Size:mm</td><td></td></tr> <tr><td>Weight:kg</td><td>0.68</td></tr> <tr><td>NO.</td><td>NO.143</td></tr> </table>	Part No.	DZ15221210127	CH part name	左车门下铰链	EN part name	Left door under hinge	RU part name	Дверь налево и направо	Size:mm		Weight:kg	0.68	NO.	NO.143
Part No.	DZ15221210226																														
CH part name	右车门上铰链																														
EN part name	Right door hinge																														
RU part name	Петля на правой двери																														
Size:mm																															
Weight:kg	0.55																														
NO.	NO.143																														
Part No.	DZ15221210127																														
CH part name	左车门下铰链																														
EN part name	Left door under hinge																														
RU part name	Дверь налево и направо																														
Size:mm																															
Weight:kg	0.68																														
NO.	NO.143																														
Remarks: SHACMAN 新M3000		Remarks: SHACMAN 新M3000																													
The car door hinge		NO.143 新M3000																													
			<table border="1"> <tr><td>Part No.</td><td>DZ15221210227</td></tr> <tr><td>CH part name</td><td>右车门下铰链</td></tr> <tr><td>EN part name</td><td>Right door under hinge</td></tr> <tr><td>RU part name</td><td>Дверь справа от двери</td></tr> <tr><td>Size:mm</td><td></td></tr> <tr><td>Weight:kg</td><td>0.68</td></tr> <tr><td>NO.</td><td>NO.143</td></tr> </table>	Part No.	DZ15221210227	CH part name	右车门下铰链	EN part name	Right door under hinge	RU part name	Дверь справа от двери	Size:mm		Weight:kg	0.68	NO.	NO.143														
Part No.	DZ15221210227																														
CH part name	右车门下铰链																														
EN part name	Right door under hinge																														
RU part name	Дверь справа от двери																														
Size:mm																															
Weight:kg	0.68																														
NO.	NO.143																														
Remarks: SHACMAN 新M3000		Remarks: SHACMAN 新M3000																													
	<table border="1"> <tr><td>Part No.</td><td>DZ15221230083</td></tr> <tr><td>CH part name</td><td>左前翼子板</td></tr> <tr><td>EN part name</td><td>Left front wing</td></tr> <tr><td>RU part name</td><td>Левое переднее крыло</td></tr> <tr><td>Size:mm</td><td></td></tr> <tr><td>Weight:kg</td><td></td></tr> <tr><td>NO.</td><td>NO.144-1</td></tr> </table>	Part No.	DZ15221230083	CH part name	左前翼子板	EN part name	Left front wing	RU part name	Левое переднее крыло	Size:mm		Weight:kg		NO.	NO.144-1		<table border="1"> <tr><td>Part No.</td><td>DZ15221330070</td></tr> <tr><td>CH part name</td><td>左车门限位器</td></tr> <tr><td>EN part name</td><td>Left door limiter</td></tr> <tr><td>RU part name</td><td>Левый ограничитель</td></tr> <tr><td>Size:mm</td><td></td></tr> <tr><td>Weight:kg</td><td></td></tr> <tr><td>NO.</td><td>NO.143</td></tr> </table>	Part No.	DZ15221330070	CH part name	左车门限位器	EN part name	Left door limiter	RU part name	Левый ограничитель	Size:mm		Weight:kg		NO.	NO.143
Part No.	DZ15221230083																														
CH part name	左前翼子板																														
EN part name	Left front wing																														
RU part name	Левое переднее крыло																														
Size:mm																															
Weight:kg																															
NO.	NO.144-1																														
Part No.	DZ15221330070																														
CH part name	左车门限位器																														
EN part name	Left door limiter																														
RU part name	Левый ограничитель																														
Size:mm																															
Weight:kg																															
NO.	NO.143																														
Remarks: SHACMAN 新M3000 DZ15221230415 DZ22405410031		Remarks: SHACMAN 新M3000																													
	<table border="1"> <tr><td>Part No.</td><td>DZ15221330080</td></tr> <tr><td>CH part name</td><td>右车门限位器</td></tr> <tr><td>EN part name</td><td>Right door limiter</td></tr> <tr><td>RU part name</td><td>Правый дверной порог</td></tr> <tr><td>Size:mm</td><td></td></tr> <tr><td>Weight:kg</td><td></td></tr> <tr><td>NO.</td><td>NO.143</td></tr> </table>	Part No.	DZ15221330080	CH part name	右车门限位器	EN part name	Right door limiter	RU part name	Правый дверной порог	Size:mm		Weight:kg		NO.	NO.143																
Part No.	DZ15221330080																														
CH part name	右车门限位器																														
EN part name	Right door limiter																														
RU part name	Правый дверной порог																														
Size:mm																															
Weight:kg																															
NO.	NO.143																														




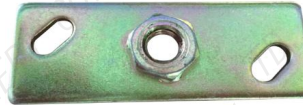




SHACMAN(1)

	<table border="1"> <tr><td>Part No.</td><td>DZ15221230084</td></tr> <tr><td>CH part name</td><td>右前翼子板</td></tr> <tr><td>EN part name</td><td>Right front fender.</td></tr> <tr><td>RU part name</td><td>Право-переднее крыло дочерних лист</td></tr> <tr><td>Size:mm</td><td></td></tr> <tr><td>Weight:kg</td><td></td></tr> <tr><td>NO.</td><td>NO.144-1</td></tr> </table>	Part No.	DZ15221230084	CH part name	右前翼子板	EN part name	Right front fender.	RU part name	Право-переднее крыло дочерних лист	Size:mm		Weight:kg		NO.	NO.144-1		<table border="1"> <tr><td>Part No.</td><td>DZ15221230084</td></tr> <tr><td>CH part name</td><td>右上门台阶</td></tr> <tr><td>EN part name</td><td>Right door step</td></tr> <tr><td>RU part name</td><td>Правый порог</td></tr> <tr><td>Size:mm</td><td></td></tr> <tr><td>Weight:kg</td><td>3</td></tr> <tr><td>NO.</td><td>NO.145-8</td></tr> </table>	Part No.	DZ15221230084	CH part name	右上门台阶	EN part name	Right door step	RU part name	Правый порог	Size:mm		Weight:kg	3	NO.	NO.145-8
Part No.	DZ15221230084																														
CH part name	右前翼子板																														
EN part name	Right front fender.																														
RU part name	Право-переднее крыло дочерних лист																														
Size:mm																															
Weight:kg																															
NO.	NO.144-1																														
Part No.	DZ15221230084																														
CH part name	右上门台阶																														
EN part name	Right door step																														
RU part name	Правый порог																														
Size:mm																															
Weight:kg	3																														
NO.	NO.145-8																														
Remarks: SHACMAN 新M3000 DZ15221230416 DZ22405410041		Remarks: SHACMAN 新M3000 DZ15221242452																													
Get on the car pedal NO.144 新M3000																															
			<table border="1"> <tr><td>Part No.</td><td>DZ15221242501</td></tr> <tr><td>CH part name</td><td>左上门台阶</td></tr> <tr><td>EN part name</td><td>Left door step</td></tr> <tr><td>RU part name</td><td>Левый порог</td></tr> <tr><td>Size:mm</td><td></td></tr> <tr><td>Weight:kg</td><td>3</td></tr> <tr><td>NO.</td><td>NO.145-8</td></tr> </table>	Part No.	DZ15221242501	CH part name	左上门台阶	EN part name	Left door step	RU part name	Левый порог	Size:mm		Weight:kg	3	NO.	NO.145-8														
Part No.	DZ15221242501																														
CH part name	左上门台阶																														
EN part name	Left door step																														
RU part name	Левый порог																														
Size:mm																															
Weight:kg	3																														
NO.	NO.145-8																														
Remarks: SHACMAN 新M3000 DZ15221242451																															
	<table border="1"> <tr><td>Part No.</td><td>DZ15221230081</td></tr> <tr><td>CH part name</td><td>左前挡泥板</td></tr> <tr><td>EN part name</td><td>Left front fender</td></tr> <tr><td>RU part name</td><td>Передняя передняя крыло</td></tr> <tr><td>Size:mm</td><td></td></tr> <tr><td>Weight:kg</td><td></td></tr> <tr><td>NO.</td><td>NO.144-2</td></tr> </table>	Part No.	DZ15221230081	CH part name	左前挡泥板	EN part name	Left front fender	RU part name	Передняя передняя крыло	Size:mm		Weight:kg		NO.	NO.144-2		<table border="1"> <tr><td>Part No.</td><td>DZ15221242340</td></tr> <tr><td>CH part name</td><td>右上踏板支架总成</td></tr> <tr><td>EN part name</td><td>bracket assembly righ</td></tr> <tr><td>RU part name</td><td>Правый педаль</td></tr> <tr><td>Size:mm</td><td></td></tr> <tr><td>Weight:kg</td><td>3.8</td></tr> <tr><td>NO.</td><td>NO.144-1</td></tr> </table>	Part No.	DZ15221242340	CH part name	右上踏板支架总成	EN part name	bracket assembly righ	RU part name	Правый педаль	Size:mm		Weight:kg	3.8	NO.	NO.144-1
Part No.	DZ15221230081																														
CH part name	左前挡泥板																														
EN part name	Left front fender																														
RU part name	Передняя передняя крыло																														
Size:mm																															
Weight:kg																															
NO.	NO.144-2																														
Part No.	DZ15221242340																														
CH part name	右上踏板支架总成																														
EN part name	bracket assembly righ																														
RU part name	Правый педаль																														
Size:mm																															
Weight:kg	3.8																														
NO.	NO.144-1																														
Remarks: SHACMAN 新M3000		Remarks: SHACMAN 新M3000 DZ15221242360 右置																													

SHACMAN(1)

KD2438 	<table border="1"> <tr><td>Part No.</td><td>DZ15221230082</td></tr> <tr><td>CH part name</td><td>右前挡泥板</td></tr> <tr><td>EN part name</td><td>Right front fender</td></tr> <tr><td>RU part name</td><td>Правый передняя крыло</td></tr> <tr><td>Size:mm</td><td></td></tr> <tr><td>Weight:kg</td><td></td></tr> <tr><td>NO.</td><td>NO.144-2</td></tr> </table>	Part No.	DZ15221230082	CH part name	右前挡泥板	EN part name	Right front fender	RU part name	Правый передняя крыло	Size:mm		Weight:kg		NO.	NO.144-2	KD2439 	<table border="1"> <tr><td>Part No.</td><td>DZ15221242462</td></tr> <tr><td>CH part name</td><td>上台阶</td></tr> <tr><td>EN part name</td><td>On the steps</td></tr> <tr><td>RU part name</td><td>Подниматься по ступенькам</td></tr> <tr><td>Size:mm</td><td>350*170</td></tr> <tr><td>Weight:kg</td><td>0.4</td></tr> <tr><td>NO.</td><td>NO.144-10</td></tr> </table>	Part No.	DZ15221242462	CH part name	上台阶	EN part name	On the steps	RU part name	Подниматься по ступенькам	Size:mm	350*170	Weight:kg	0.4	NO.	NO.144-10
Part No.	DZ15221230082																														
CH part name	右前挡泥板																														
EN part name	Right front fender																														
RU part name	Правый передняя крыло																														
Size:mm																															
Weight:kg																															
NO.	NO.144-2																														
Part No.	DZ15221242462																														
CH part name	上台阶																														
EN part name	On the steps																														
RU part name	Подниматься по ступенькам																														
Size:mm	350*170																														
Weight:kg	0.4																														
NO.	NO.144-10																														
Remarks: SHACMAN 新M3000		Remarks: SHACMAN 新M3000																													
Before the mask NO.145 新M3000																															
		KD2450 	<table border="1"> <tr><td>Part No.</td><td>DZ15221110030</td></tr> <tr><td>CH part name</td><td>右扰流板总成</td></tr> <tr><td>EN part name</td><td>Right air guide cover</td></tr> <tr><td>RU part name</td><td>Правый интерцептор</td></tr> <tr><td>Size:mm</td><td></td></tr> <tr><td>Weight:kg</td><td>1.2</td></tr> <tr><td>NO.</td><td>NO.145-1</td></tr> </table>	Part No.	DZ15221110030	CH part name	右扰流板总成	EN part name	Right air guide cover	RU part name	Правый интерцептор	Size:mm		Weight:kg	1.2	NO.	NO.145-1														
Part No.	DZ15221110030																														
CH part name	右扰流板总成																														
EN part name	Right air guide cover																														
RU part name	Правый интерцептор																														
Size:mm																															
Weight:kg	1.2																														
NO.	NO.145-1																														
Remarks: SHACMAN 新M3000		Remarks: SHACMAN 新M3000																													
KD2452 		KD2451 	<table border="1"> <tr><td>Part No.</td><td>DZ15221110020</td></tr> <tr><td>CH part name</td><td>左扰流板总成</td></tr> <tr><td>EN part name</td><td>Left air guide cover</td></tr> <tr><td>RU part name</td><td>Левый интерцептор</td></tr> <tr><td>Size:mm</td><td></td></tr> <tr><td>Weight:kg</td><td>1.2</td></tr> <tr><td>NO.</td><td>NO.145-6</td></tr> </table>	Part No.	DZ15221110020	CH part name	左扰流板总成	EN part name	Left air guide cover	RU part name	Левый интерцептор	Size:mm		Weight:kg	1.2	NO.	NO.145-6														
Part No.	DZ15221110020																														
CH part name	左扰流板总成																														
EN part name	Left air guide cover																														
RU part name	Левый интерцептор																														
Size:mm																															
Weight:kg	1.2																														
NO.	NO.145-6																														
Remarks: SHACMAN 新M3000 DZ22405320012		Remarks: SHACMAN 新M3000 DZ22405320011																													
<table border="1"> <tr><td>Part No.</td><td>DZ15221110016</td></tr> <tr><td>CH part name</td><td>上格栅</td></tr> <tr><td>EN part name</td><td>Grille up</td></tr> <tr><td>RU part name</td><td>Верхняя решетка</td></tr> <tr><td>Size:mm</td><td></td></tr> <tr><td>Weight:kg</td><td>0.2</td></tr> <tr><td>NO.</td><td>NO.145-3</td></tr> </table>		Part No.	DZ15221110016	CH part name	上格栅	EN part name	Grille up	RU part name	Верхняя решетка	Size:mm		Weight:kg	0.2	NO.	NO.145-3	KD2453 	<table border="1"> <tr><td>Part No.</td><td>DZ15221110015</td></tr> <tr><td>CH part name</td><td>前面罩</td></tr> <tr><td>EN part name</td><td>Front lid</td></tr> <tr><td>RU part name</td><td>Передняя маска</td></tr> <tr><td>Size:mm</td><td></td></tr> <tr><td>Weight:kg</td><td>16.5</td></tr> <tr><td>NO.</td><td>NO.145-2</td></tr> </table>	Part No.	DZ15221110015	CH part name	前面罩	EN part name	Front lid	RU part name	Передняя маска	Size:mm		Weight:kg	16.5	NO.	NO.145-2
Part No.	DZ15221110016																														
CH part name	上格栅																														
EN part name	Grille up																														
RU part name	Верхняя решетка																														
Size:mm																															
Weight:kg	0.2																														
NO.	NO.145-3																														
Part No.	DZ15221110015																														
CH part name	前面罩																														
EN part name	Front lid																														
RU part name	Передняя маска																														
Size:mm																															
Weight:kg	16.5																														
NO.	NO.145-2																														









SHACMAN(1)

KD2454			KD2455		
	Part No.	DZ15221110017		Part No.	DZ15221110018
	CH part name	中格栅		CH part name	下格栅
	EN part name	Grille middle		EN part name	Grille down
	RU part name	Средняя решётка		RU part name	Нижняя решетка
	Size:mm			Size:mm	
	Weight:kg	0.25		Weight:kg	0.3
	NO.	NO.145-4		NO.	NO.145-5
Remarks: SHACMAN 新M3000 DZ22405320013			Remarks: SHACMAN 新M3000 DZ22405320014		
KD2456			KD2457		
	Part No.	DZ15221110019		Part No.	DZ15221110055
	CH part name	导水槽		CH part name	前面罩锁芯左安装支架总成
	EN part name	Guide gutter		EN part name	Left front lid install trestle Hexagon nut
	RU part name	Направляющий раковина		RU part name	Монтажная крепь
	Size:mm			Size:mm	
	Weight:kg	0.1		Weight:kg	0.25
	NO.	NO.145-7		NO.	NO.145-12-22
Remarks: SHACMAN 新M3000 HP22405320020			Remarks: SHACMAN 新M3000 DZ15221110065 R		
KD2458			KD2459		
	Part No.	DZ15221110052		Part No.	SZ111000711
	CH part name	前面罩铰链过渡板总成		CH part name	前面罩锁芯
	EN part name	Left air spring bracket		EN part name	Hinge transition plate
	RU part name	Шарнирная переходная плита		RU part name	Передняя оболочка
	Size:mm			Size:mm	
	Weight:kg	0.15		Weight:kg	0.35
	NO.	NO.145-16		NO.	NO.145-15
Remarks: SHACMAN 新M3000			Remarks: SHACMAN 新M3000 DZ15221110054		
KD2460			KD2461		
	Part No.	DZ15221110021		Part No.	DZ15221110040
	CH part name	前面罩气弹簧左支架		CH part name	气弹簧总成(53M-03025)
	EN part name	Air spring assy		EN part name	Hexagon nut and spring
	RU part name	Воздушная пружина слева		RU part name	Воздушная пружина
	Size:mm			Size:mm	690.4*20
	Weight:kg	0.21		Weight:kg	0.21
	NO.	NO.145-17		NO.	
Remarks: SHACMAN 新M3000			Remarks: SHACMAN 新M3000		



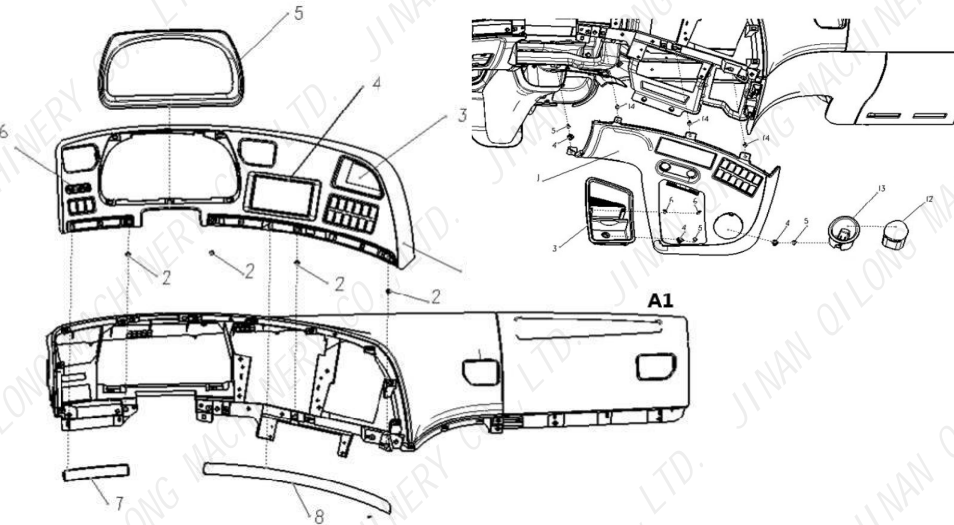



SHACMAN(1)

Before the mask		NO.146 新M3000		
	KD2462			
			Part No.	
			CH part name	
			EN part name	
			RU part name	
			Size:mm	
			Weight:kg	
			NO.	
	Remarks: SHACMAN 新M3000			
	KD2463			
		Part No.		
		CH part name		
		EN part name		
		RU part name		
		Size:mm		
		Weight:kg		
		NO.		
Remarks: SHACMAN 新M3000				
KD2464		KD2465		
	Part No.	DZ15221110085	Part No.	
	CH part name	右侧围上铰链装饰板	CH part name	
	EN part name	Right side hinge trim panel	EN part name	
	RU part name	Пластина для украшения	RU part name	
	Size:mm		Size:mm	
	Weight:kg	0.1	Weight:kg	
	NO.	NO.146-2	NO.	
Remarks: SHACMAN 新M3000		Remarks: SHACMAN 新M3000		
DZ15221110075 L		DZ15221110071		
KD2466		KD2467		
	Part No.	DZ15221110086	Part No.	
	CH part name	右侧围上铰链装饰板堵盖	CH part name	
	EN part name	Right side hinge trim panel cover	EN part name	
	RU part name	заглушка	RU part name	
	Size:mm		Size:mm	
	Weight:kg	0.1	Weight:kg	
	NO.	NO.146-5-22	NO.	
Remarks: SHACMAN 新M3000		Remarks: SHACMAN 新M3000		
DZ15221110076		DZ15221110083		
	Part No.	DZ15221110083	Part No.	
	CH part name	右 A 柱外饰板安装支架	CH part name	
	EN part name	panel install trestle	EN part name	
	RU part name	Панель монтажа	RU part name	
	Size:mm		Size:mm	
	Weight:kg	0.3	Weight:kg	
	NO.	NO.146-6	NO.	
Remarks: SHACMAN 新M3000		Remarks: SHACMAN 新M3000		







SHACMAN(1)

	<table border="1"> <tr><td>Part No.</td><td>DZ15221110100</td></tr> <tr><td>CH part name</td><td>锁拉丝总成</td></tr> <tr><td>EN part name</td><td>Hinge assy</td></tr> <tr><td>RU part name</td><td>Замок с замком</td></tr> <tr><td>Size:mm</td><td></td></tr> <tr><td>Weight:kg</td><td>0.43</td></tr> <tr><td>NO.</td><td>NO.146-13</td></tr> </table>	Part No.	DZ15221110100	CH part name	锁拉丝总成	EN part name	Hinge assy	RU part name	Замок с замком	Size:mm		Weight:kg	0.43	NO.	NO.146-13		<table border="1"> <tr><td>Part No.</td><td>DZ15221110110</td></tr> <tr><td>CH part name</td><td>前面罩铰链总成</td></tr> <tr><td>EN part name</td><td>Front face hinge</td></tr> <tr><td>RU part name</td><td>Шарнирная петля</td></tr> <tr><td>Size:mm</td><td></td></tr> <tr><td>Weight:kg</td><td>2.5</td></tr> <tr><td>NO.</td><td>NO.146-14</td></tr> </table>	Part No.	DZ15221110110	CH part name	前面罩铰链总成	EN part name	Front face hinge	RU part name	Шарнирная петля	Size:mm		Weight:kg	2.5	NO.	NO.146-14
Part No.	DZ15221110100																														
CH part name	锁拉丝总成																														
EN part name	Hinge assy																														
RU part name	Замок с замком																														
Size:mm																															
Weight:kg	0.43																														
NO.	NO.146-13																														
Part No.	DZ15221110110																														
CH part name	前面罩铰链总成																														
EN part name	Front face hinge																														
RU part name	Шарнирная петля																														
Size:mm																															
Weight:kg	2.5																														
NO.	NO.146-14																														
Remarks: SHACMAN 新M3000		Remarks: SHACMAN 新M3000																													
	<table border="1"> <tr><td>Part No.</td><td>DZ15221110062</td></tr> <tr><td>CH part name</td><td>前面罩右锁座安装支架总成</td></tr> <tr><td>EN part name</td><td>Mounting bracket</td></tr> <tr><td>RU part name</td><td>Монтажная крепь</td></tr> <tr><td>Size:mm</td><td></td></tr> <tr><td>Weight:kg</td><td>0.15</td></tr> <tr><td>NO.</td><td>NO.146-15</td></tr> </table>	Part No.	DZ15221110062	CH part name	前面罩右锁座安装支架总成	EN part name	Mounting bracket	RU part name	Монтажная крепь	Size:mm		Weight:kg	0.15	NO.	NO.146-15		<table border="1"> <tr><td>Part No.</td><td>DZ15221110090</td></tr> <tr><td>CH part name</td><td>前面罩右锁座总成</td></tr> <tr><td>EN part name</td><td>Right lock assy</td></tr> <tr><td>RU part name</td><td>Передний замок</td></tr> <tr><td>Size:mm</td><td></td></tr> <tr><td>Weight:kg</td><td>0.8</td></tr> <tr><td>NO.</td><td>NO.146-16</td></tr> </table>	Part No.	DZ15221110090	CH part name	前面罩右锁座总成	EN part name	Right lock assy	RU part name	Передний замок	Size:mm		Weight:kg	0.8	NO.	NO.146-16
Part No.	DZ15221110062																														
CH part name	前面罩右锁座安装支架总成																														
EN part name	Mounting bracket																														
RU part name	Монтажная крепь																														
Size:mm																															
Weight:kg	0.15																														
NO.	NO.146-15																														
Part No.	DZ15221110090																														
CH part name	前面罩右锁座总成																														
EN part name	Right lock assy																														
RU part name	Передний замок																														
Size:mm																															
Weight:kg	0.8																														
NO.	NO.146-16																														
Remarks: SHACMAN 新M3000		Remarks: SHACMAN 新M3000																													
	<table border="1"> <tr><td>Part No.</td><td>DZ15221110120</td></tr> <tr><td>CH part name</td><td>面罩锁扣手</td></tr> <tr><td>EN part name</td><td>Unlock hand shank</td></tr> <tr><td>RU part name</td><td>Держатель маски</td></tr> <tr><td>Size:mm</td><td></td></tr> <tr><td>Weight:kg</td><td>0.16</td></tr> <tr><td>NO.</td><td>NO.146-17</td></tr> </table>	Part No.	DZ15221110120	CH part name	面罩锁扣手	EN part name	Unlock hand shank	RU part name	Держатель маски	Size:mm		Weight:kg	0.16	NO.	NO.146-17		<table border="1"> <tr><td>Part No.</td><td>DZ15221110080</td></tr> <tr><td>CH part name</td><td>前面罩左锁座总成</td></tr> <tr><td>EN part name</td><td>Left lock assy</td></tr> <tr><td>RU part name</td><td>Передний замок</td></tr> <tr><td>Size:mm</td><td></td></tr> <tr><td>Weight:kg</td><td>0.8</td></tr> <tr><td>NO.</td><td>NO.146-18</td></tr> </table>	Part No.	DZ15221110080	CH part name	前面罩左锁座总成	EN part name	Left lock assy	RU part name	Передний замок	Size:mm		Weight:kg	0.8	NO.	NO.146-18
Part No.	DZ15221110120																														
CH part name	面罩锁扣手																														
EN part name	Unlock hand shank																														
RU part name	Держатель маски																														
Size:mm																															
Weight:kg	0.16																														
NO.	NO.146-17																														
Part No.	DZ15221110080																														
CH part name	前面罩左锁座总成																														
EN part name	Left lock assy																														
RU part name	Передний замок																														
Size:mm																															
Weight:kg	0.8																														
NO.	NO.146-18																														
Remarks: SHACMAN 新M3000		Remarks: SHACMAN 新M3000																													
	<table border="1"> <tr><td>Part No.</td><td>DZ15221110073</td></tr> <tr><td>CH part name</td><td>左 A 柱外饰板安装支架</td></tr> <tr><td>EN part name</td><td>Left A column exterior panel install trestle</td></tr> <tr><td>RU part name</td><td>Монтажная крепь</td></tr> <tr><td>Size:mm</td><td></td></tr> <tr><td>Weight:kg</td><td>0.3</td></tr> <tr><td>NO.</td><td>NO.146-20</td></tr> </table>	Part No.	DZ15221110073	CH part name	左 A 柱外饰板安装支架	EN part name	Left A column exterior panel install trestle	RU part name	Монтажная крепь	Size:mm		Weight:kg	0.3	NO.	NO.146-20		<table border="1"> <tr><td>Part No.</td><td>DZ15221110061</td></tr> <tr><td>CH part name</td><td>前面罩左锁座安装支架总成</td></tr> <tr><td>EN part name</td><td>Left front lid install trestle</td></tr> <tr><td>RU part name</td><td>Монтажная крепь</td></tr> <tr><td>Size:mm</td><td></td></tr> <tr><td>Weight:kg</td><td>0.15</td></tr> <tr><td>NO.</td><td>NO.146-19</td></tr> </table>	Part No.	DZ15221110061	CH part name	前面罩左锁座安装支架总成	EN part name	Left front lid install trestle	RU part name	Монтажная крепь	Size:mm		Weight:kg	0.15	NO.	NO.146-19
Part No.	DZ15221110073																														
CH part name	左 A 柱外饰板安装支架																														
EN part name	Left A column exterior panel install trestle																														
RU part name	Монтажная крепь																														
Size:mm																															
Weight:kg	0.3																														
NO.	NO.146-20																														
Part No.	DZ15221110061																														
CH part name	前面罩左锁座安装支架总成																														
EN part name	Left front lid install trestle																														
RU part name	Монтажная крепь																														
Size:mm																															
Weight:kg	0.15																														
NO.	NO.146-19																														
Remarks: SHACMAN 新M3000		Remarks: SHACMAN 新M3000																													

SHACMAN(1)

	<table border="1"> <tr><td>Part No.</td><td>DZ15221110077</td></tr> <tr><td>CH part name</td><td>左车门下铰链装饰板</td></tr> <tr><td>EN part name</td><td>Left side hinge trim panel</td></tr> <tr><td>RU part name</td><td>Декоративный доска</td></tr> <tr><td>Size:mm</td><td></td></tr> <tr><td>Weight:kg</td><td>0.32</td></tr> <tr><td>NO.</td><td>NO.146-21</td></tr> </table>	Part No.	DZ15221110077	CH part name	左车门下铰链装饰板	EN part name	Left side hinge trim panel	RU part name	Декоративный доска	Size:mm		Weight:kg	0.32	NO.	NO.146-21		<table border="1"> <tr><td>Part No.</td><td>DZ15221110087</td></tr> <tr><td>CH part name</td><td>右车门下铰链装饰板</td></tr> <tr><td>EN part name</td><td>Reft side hinge trim panel</td></tr> <tr><td>RU part name</td><td>Шарнир с шарнирами</td></tr> <tr><td>Size:mm</td><td></td></tr> <tr><td>Weight:kg</td><td>0.32</td></tr> <tr><td>NO.</td><td>NO.146-25</td></tr> </table>	Part No.	DZ15221110087	CH part name	右车门下铰链装饰板	EN part name	Reft side hinge trim panel	RU part name	Шарнир с шарнирами	Size:mm		Weight:kg	0.32	NO.	NO.146-25
Part No.	DZ15221110077																														
CH part name	左车门下铰链装饰板																														
EN part name	Left side hinge trim panel																														
RU part name	Декоративный доска																														
Size:mm																															
Weight:kg	0.32																														
NO.	NO.146-21																														
Part No.	DZ15221110087																														
CH part name	右车门下铰链装饰板																														
EN part name	Reft side hinge trim panel																														
RU part name	Шарнир с шарнирами																														
Size:mm																															
Weight:kg	0.32																														
NO.	NO.146-25																														
Remarks: SHACMAN 新M3000		Remarks: SHACMAN 新M3000																													
DASHBOARD ASSY NO.147 新M3000																															
			<table border="1"> <tr><td>Part No.</td><td>DZ15221161011</td></tr> <tr><td>CH part name</td><td>仪表台本体 (右置)</td></tr> <tr><td>EN part name</td><td>Dashboard (RH)</td></tr> <tr><td>RU part name</td><td>Блок приборной панели</td></tr> <tr><td>Size:mm</td><td></td></tr> <tr><td>Weight:kg</td><td></td></tr> <tr><td>NO.</td><td>NO.147-A1</td></tr> </table>	Part No.	DZ15221161011	CH part name	仪表台本体 (右置)	EN part name	Dashboard (RH)	RU part name	Блок приборной панели	Size:mm		Weight:kg		NO.	NO.147-A1														
Part No.	DZ15221161011																														
CH part name	仪表台本体 (右置)																														
EN part name	Dashboard (RH)																														
RU part name	Блок приборной панели																														
Size:mm																															
Weight:kg																															
NO.	NO.147-A1																														
Remarks: SHACMAN 新M3000		Remarks: SHACMAN 新M3000																													
	<table border="1"> <tr><td>Part No.</td><td>DZ15221160111</td></tr> <tr><td>CH part name</td><td>面板本体</td></tr> <tr><td>EN part name</td><td>Panel noumenon</td></tr> <tr><td>RU part name</td><td>Блок панели</td></tr> <tr><td>Size:mm</td><td></td></tr> <tr><td>Weight:kg</td><td></td></tr> <tr><td>NO.</td><td>NO.147-1</td></tr> </table>	Part No.	DZ15221160111	CH part name	面板本体	EN part name	Panel noumenon	RU part name	Блок панели	Size:mm		Weight:kg		NO.	NO.147-1		<table border="1"> <tr><td>Part No.</td><td>DZ15221160111R</td></tr> <tr><td>CH part name</td><td>面板本体(RH)</td></tr> <tr><td>EN part name</td><td>Panel noumenon</td></tr> <tr><td>RU part name</td><td>Блок панели</td></tr> <tr><td>Size:mm</td><td></td></tr> <tr><td>Weight:kg</td><td></td></tr> <tr><td>NO.</td><td>NO.147-1</td></tr> </table>	Part No.	DZ15221160111R	CH part name	面板本体(RH)	EN part name	Panel noumenon	RU part name	Блок панели	Size:mm		Weight:kg		NO.	NO.147-1
Part No.	DZ15221160111																														
CH part name	面板本体																														
EN part name	Panel noumenon																														
RU part name	Блок панели																														
Size:mm																															
Weight:kg																															
NO.	NO.147-1																														
Part No.	DZ15221160111R																														
CH part name	面板本体(RH)																														
EN part name	Panel noumenon																														
RU part name	Блок панели																														
Size:mm																															
Weight:kg																															
NO.	NO.147-1																														
Remarks: SHACMAN 新M3000		Remarks: SHACMAN 新M3000																													

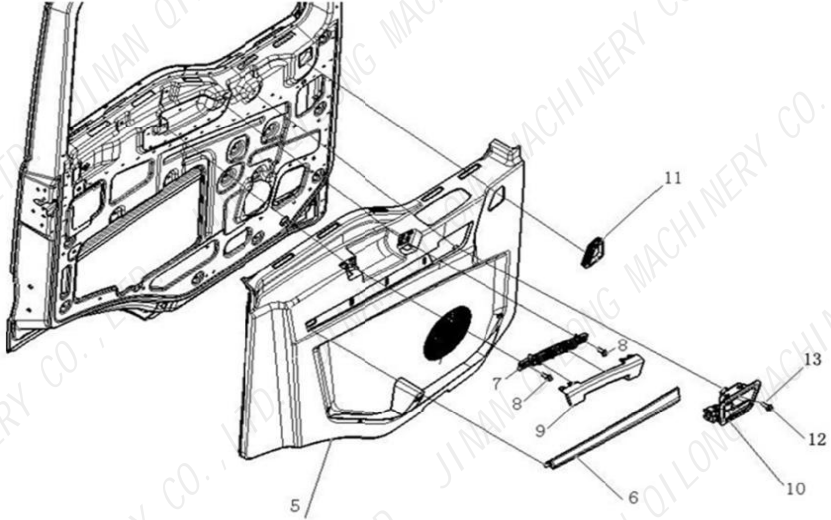






SHACMAN(1)

KD2482			KD2483		
	Part No.	DZ15221160116		Part No.	DZ15221160114
	CH part name	左装饰条		CH part name	组合仪表表面罩总成
	EN part name	Left trim strip		EN part name	IP combination mask
	RU part name	Левый декоратор		RU part name	комбинезон
	Size:mm			Size:mm	
	Weight:kg	0.1		Weight:kg	0.11
	NO.	NO.147-7		NO.	NO.147-5
Remarks: SHACMAN			Remarks: SHACMAN 新M3000		
KD2271			KD2484		
	Part No.	DZ15221160121		Part No.	DZ15221160113
	CH part name	副仪表板面板		CH part name	收放机盖板
	EN part name	second IP pane		EN part name	Radio-cassette panel
	RU part name	Панель приборной панели		RU part name	Плита уборки
	Size:mm			Size:mm	
	Weight:kg			Weight:kg	0.1
	NO.	NO.147-1		NO.	NO.147-4
Remarks: SHACMAN 新M3000			Remarks: SHACMAN 新M3000		
KD2485			KD2486		
	Part No.	DZ15221330056		Part No.	DZ15221330066
	CH part name	左车门前下导轨		CH part name	右车门前下导轨
	EN part name	Left Door Inferoanterior Lead Rail		EN part name	Right Door Inferoanterior Lead Rail
	RU part name	Передняя направляющая		RU part name	Передняя направляющая
	Size:mm			Size:mm	
	Weight:kg	0.2		Weight:kg	0.2
	NO.	NO.148-1		NO.	NO.148-1
Remarks: SHACMAN 新M3000			Remarks: SHACMAN 新M3000		
KD2487			KD2488		
	Part No.	DZ15221330058		Part No.	DZ15221330068
	CH part name	左车门电动玻璃升降器		CH part name	右车门电动玻璃升降器
	EN part name	Left Door Window Lifter		EN part name	Right Door Window Lifter
	RU part name	стеклоподъемник		RU part name	стеклоподъемник
	Size:mm			Size:mm	
	Weight:kg	2.5		Weight:kg	2.5
	NO.	NO.148-6		NO.	NO.148-6
Remarks: SHACMAN 新M3000			Remarks: SHACMAN 新M3000		

SHACMAN(1)

LEFT T DOOR WINDOW LIFT TER ASSEMB BLY		NO.148 新M3000		KD2489			
						Part No.	DZ15221330059
						CH part name	左车门玻璃
						EN part name	Left Door Window
						RU part name	Левое стекло
						Size:mm	
						Weight:kg	4.9
						NO.	NO.148-25
Remarks: SHACMAN 新M3000				KD2490			
						Part No.	DZ15221330069
						CH part name	右车门玻璃
						EN part name	Right Door Window
						RU part name	Правое стекло
						Size:mm	
						Weight:kg	4.9
						NO.	NO.148-25
Remarks: SHACMAN 新M3000				KD2491			
		Part No.	DZ15221330057			Part No.	DZ15221330069
		CH part name	左车门后下导轨			CH part name	右车门玻璃
		EN part name	Left Door Window			EN part name	Right Door Window
		RU part name	Слева от двери			RU part name	Правое стекло
		Size:mm				Size:mm	
		Weight:kg	0.3			Weight:kg	0.3
		NO.	NO.148-32			NO.	NO.148-32
Remarks: SHACMAN 新M3000				Remarks: SHACMAN 新M3000			
KD2493				KD2494			
		Part No.	DZ15221330034			Part No.	DZ15221330044
		CH part name	左车门内护板本体			CH part name	右车门内护板本体
		EN part name	Left Door Inner Paner Board			EN part name	Right Door Inner Paner Board
		RU part name	Блок внутренней защиты			RU part name	Блок внутренней защиты
		Size:mm				Size:mm	
		Weight:kg	2.1			Weight:kg	2.1
		NO.	NO.149-5			NO.	NO.149-5
Remarks: SHACMAN 新M3000				Remarks: SHACMAN 新M3000			

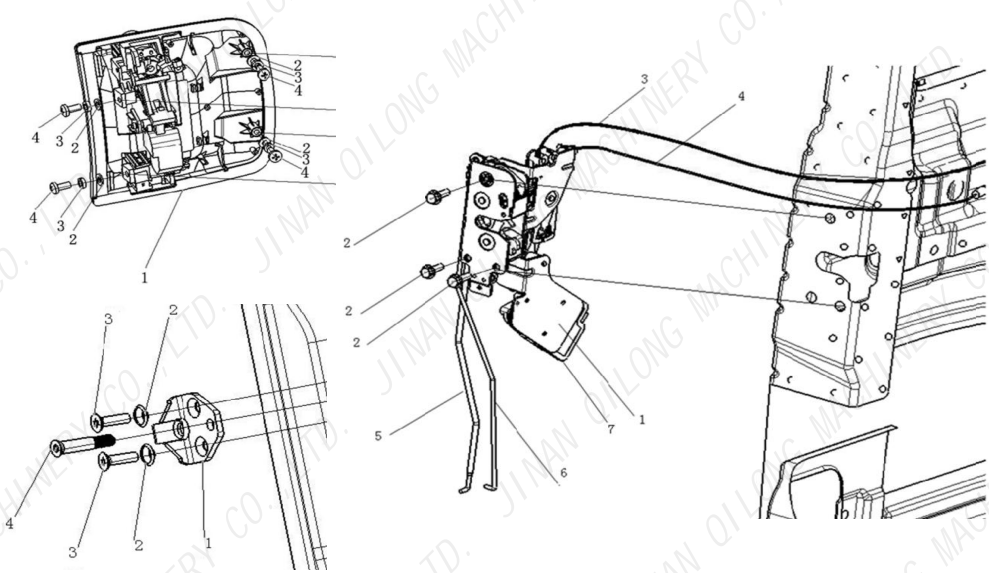

SHACMAN(1)

DOOR INNER PANEL A ASSEMBLY		NO.149 新M3000	
	KD2495		
			
	Part No.	DZ15221330036	
	CH part name	左车门关门扶手 (内)	
	EN part name	Left Door Handrail (in)	
	RU part name	Ворота закрываются	
	Size:mm		
	Weight:kg	0.2	
	NO.	NO.149-7	
	Remarks: SHACMAN 新M3000		
KD2496			
			
Part No.	DZ15221330046		
CH part name	左车门关门扶手 (内)		
EN part name	Right Door Handrail (in)		
RU part name	Ворота закрываются		
Size:mm			
Weight:kg	0.2		
NO.	NO.149-7		
Remarks: SHACMAN 新M3000			
KD2497			
			
Part No.	DZ15221330037		
CH part name	左车门关门扶手 (外)		
EN part name	Left Door Handrail (out)		
RU part name	Закрыва́тая дверь		
Size:mm			
Weight:kg	0.35		
NO.	NO.149-9		
Remarks: SHACMAN 新M3000			
KD2498			
			
Part No.	DZ15221330047		
CH part name	左车门关门扶手 (外)		
EN part name	Right Door Handrail (out)		
RU part name	Закрыва́тая дверь		
Size:mm			
Weight:kg	0.35		
NO.	NO.149-9		
Remarks: SHACMAN 新M3000			
KD2499			
			
Part No.	DZ15221330038		
CH part name	左车门内开拉手总成		
EN part name	Left Door In-handrail Assembly		
RU part name	Внутренняя тяга		
Size:mm			
Weight:kg	0.8		
NO.	NO.149-10		
Remarks: SHACMAN 新M3000			
KD2500			
			
Part No.	DZ15221330048		
CH part name	右车门内开拉手总成		
EN part name	Right Door In-handrail Assembly		
RU part name	Внутренняя тяга		
Size:mm			
Weight:kg	0.8		
NO.	NO.149-10		
Remarks: SHACMAN 新M3000			









SHACMAN(1)

Door cutting		NO.150 新M3000		KD2501			
						Part No.	DZ15221330061
						CH part name	右车门玻璃泥槽
						EN part name	Right Door Class Mud Tank
						RU part name	Стеклянная ванна
						Size:mm	
						Weight:kg	0.15
						NO.	NO.150-1
Remarks: SHACMAN 新M3000				KD2502			
						Part No.	DZ15221330051
						CH part name	左车门玻璃泥槽
						EN part name	Left Door Class Mud Tank
						RU part name	Стеклянная ванна
						Size:mm	
						Weight:kg	0.15
						NO.	NO.150-1
Remarks: SHACMAN 新M3000				KD2503			
		Part No.	DZ15221330052				
		CH part name	左车门外水切				
		EN part name	Left Door Out Cut				
		RU part name	Разрезка дверей				
		Size:mm					
		Weight:kg	0.15				
		NO.	NO.150-2				
Remarks: SHACMAN 新M3000				KD2504			
		Part No.	DZ15221330062				
		CH part name	右车门外水切				
		EN part name	Right Door Out Cut				
		RU part name	Разрезка дверей				
		Size:mm					
		Weight:kg	0.15				
		NO.	NO.150-2				
Remarks: SHACMAN 新M3000				KD2505			
		Part No.	DZ15221330053				
		CH part name	车门内水切				
		EN part name	Door cutting				
		RU part name	Режущая внутренняя вода				
		Size:mm					
		Weight:kg	0.1				
		NO.	NO.150-3				
Remarks: SHACMAN 新M3000				KD2506			
		Part No.	DZ15221330054				
		CH part name	门框密封条				
		EN part name	Doorcase Seal- I				
		RU part name	Уплотнение дверной рамы				
		Size:mm	2300				
		Weight:kg	1.5				
		NO.	NO.150-4				
Remarks: SHACMAN 新M3000							

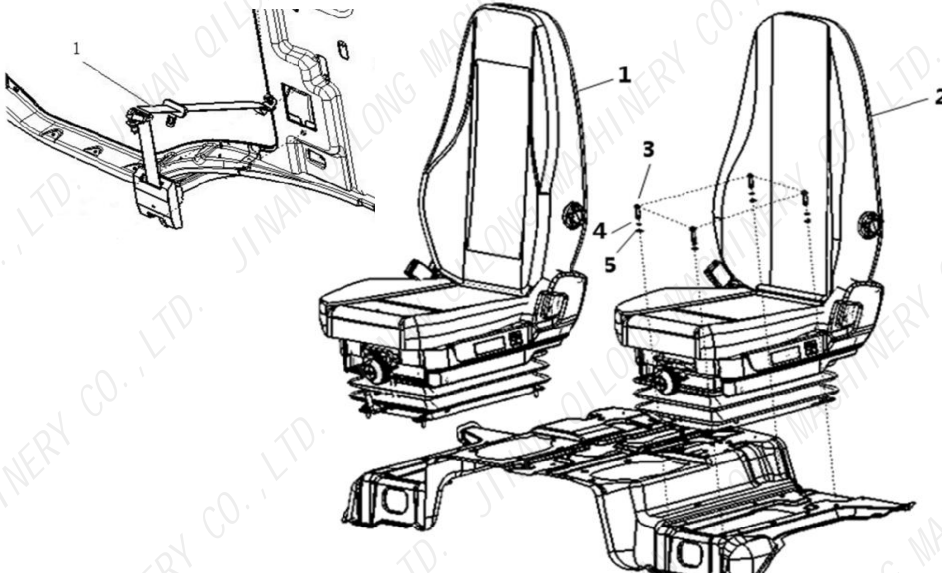
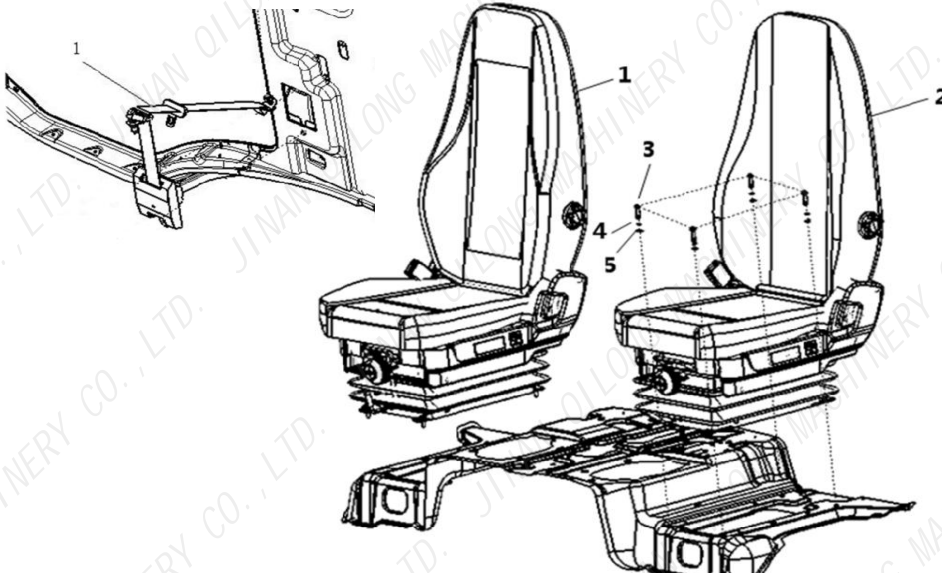
SHACMAN(1)

DOOR LOCK SYSTEM		NO.151 新M3000		KD2507		
						Part No. DZ15221330055 CH part name 车门门洞密封条 EN part name Left Door Deck Board RU part name Size:mm Weight:kg 0.1 NO. NO.150-5
				Remarks: SHACMAN 新M3000		
				KD2508		Part No. DZ15221330050 CH part name 车门门洞密封条 EN part name Doorcase Seal-II RU part name Запечатка дверной ручки Size:mm Weight:kg 0.21 NO. NO.150-6
				Remarks: SHACMAN 新M3000		
				KD2509		Part No. DZ15221340011 CH part name 左车门锁体总成 EN part name Left Door Lock RU part name Замок левого вагона Size:mm Weight:kg 0.55 NO. NO.151-1
				Remarks: SHACMAN 新M3000		
				KD2510		Part No. DZ15221340021 CH part name 右车门锁体总成 EN part name Right door lock RU part name Корпус правой машины Size:mm Weight:kg 0.55 NO. NO.151-1
Remarks: SHACMAN 新M3000						
KD2511		Part No. DZ15221340018 CH part name 左车门内锁止拉丝 EN part name Left Door Lockup Plate RU part name Закрытая проволока Size:mm 700-640.5 Weight:kg 0.1 NO. NO.151-3				
Remarks: SHACMAN 新M3000						
KD2512		Part No. DZ15221340028 CH part name 右车门内锁止拉丝 EN part name Right door latch wiredraw RU part name Закрытая проволока Size:mm 700-640.5 Weight:kg 0.1 NO.				
Remarks: SHACMAN 新M3000						

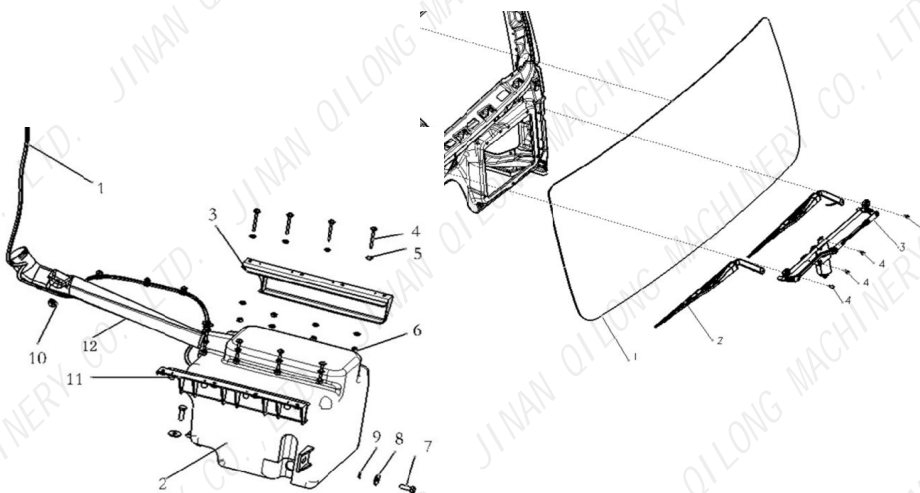










SHACMAN(1)

KD2513			KD2514		
	Part No.	DZ15221340014		Part No.	DZ15221340024
	CH part name	内开拉丝		CH part name	内开拉丝
	EN part name	Inguide Plate		EN part name	Inguide Plate
	RU part name	Неуправляемая проволока		RU part name	Неуправляемая проволока
	Size:mm	700-640		Size:mm	700-640
	Weight:kg			Weight:kg	
	NO.	NO.151-4		NO.	NO.151-4
Remarks: SHACMAN 新M3000			Remarks: SHACMAN 新M3000		
KD2515			KD2516		
	Part No.	DZ15221340023		Part No.	DZ15221340013
	CH part name	右车门锁芯拉杆		CH part name	左车门锁芯拉杆
	EN part name	Right car door lock pull rod		EN part name	Left Door Lock Guide Plate
	RU part name	Задняя дверь справа		RU part name	Дверь на замок в левой машине
	Size:mm	360		Size:mm	360
	Weight:kg	0.1		Weight:kg	0.1
	NO.	NO.151-6		NO.	NO.151-6
Remarks: SHACMAN 新M3000			Remarks: SHACMAN 新M3000		
KD2517			KD2518		
	Part No.	DZ15221340012		Part No.	DZ15221340022
	CH part name	左车门外开拉杆		CH part name	右车门外开拉杆
	EN part name	Left Door Outguide Plate		EN part name	Outside lever
	RU part name	Рычаг на правой машине		RU part name	Рычаг на правой машине
	Size:mm			Size:mm	
	Weight:kg	0.11		Weight:kg	0.11
	NO.	NO.151-5		NO.	NO.151-5
Remarks: SHACMAN 新M3000			Remarks: SHACMAN 新M3000		
KD2519			KD2520		
	Part No.	DZ15221340015		Part No.	DZ15221340025
	CH part name	左车门外开把手总成		CH part name	右车门外开把手总成
	EN part name	Left Lock set in cab		EN part name	Open the door handle on the right
	RU part name	Ручка слева от машины		RU part name	Ручка справа от двери
	Size:mm			Size:mm	
	Weight:kg	0.28		Weight:kg	0.28
	NO.	NO.151-1		NO.	NO.151-1
Remarks: SHACMAN 新M3000			Remarks: SHACMAN 新M3000		



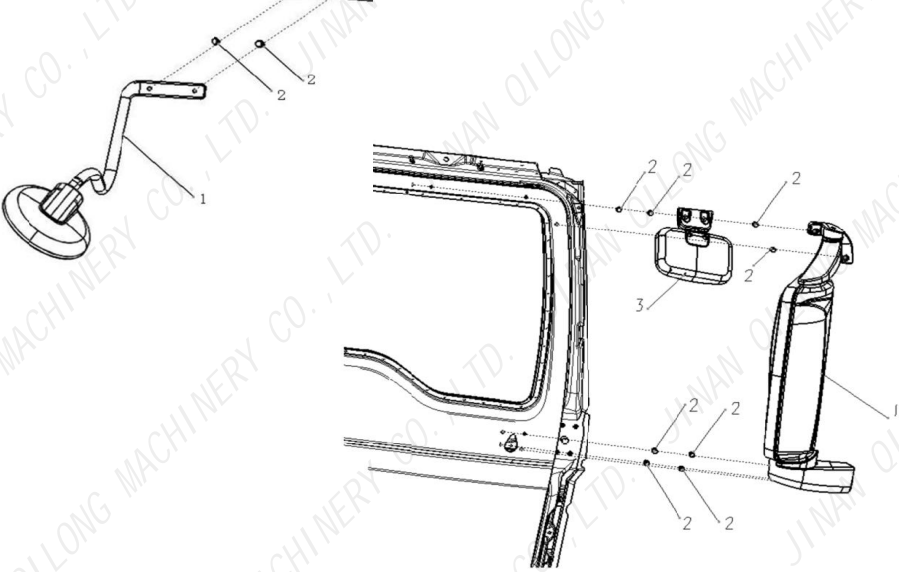



SHACMAN(1)

SEAT		NO.152 新M3000																													
	KD2521		<table border="1"> <tr><td>Part No.</td><td>DZ15221340030</td></tr> <tr><td>CH part name</td><td>左车门中控锁体总成</td></tr> <tr><td>EN part name</td><td>Door control lock body</td></tr> <tr><td>RU part name</td><td>Центральный замок</td></tr> <tr><td>Size:mm</td><td></td></tr> <tr><td>Weight:kg</td><td>0.65</td></tr> <tr><td>NO.</td><td>NO.151-1</td></tr> </table>	Part No.	DZ15221340030	CH part name	左车门中控锁体总成	EN part name	Door control lock body	RU part name	Центральный замок	Size:mm		Weight:kg	0.65	NO.	NO.151-1														
	Part No.	DZ15221340030																													
CH part name	左车门中控锁体总成																														
EN part name	Door control lock body																														
RU part name	Центральный замок																														
Size:mm																															
Weight:kg	0.65																														
NO.	NO.151-1																														
Remarks: SHACMAN 新M3000																															
	KD2522		<table border="1"> <tr><td>Part No.</td><td>DZ15221340016/17</td></tr> <tr><td>CH part name</td><td>锁栓及销</td></tr> <tr><td>EN part name</td><td>Lockscrew</td></tr> <tr><td>RU part name</td><td>Затвор и шпилька</td></tr> <tr><td>Size:mm</td><td></td></tr> <tr><td>Weight:kg</td><td>0.21</td></tr> <tr><td>NO.</td><td>NO.151-1</td></tr> </table>	Part No.	DZ15221340016/17	CH part name	锁栓及销	EN part name	Lockscrew	RU part name	Затвор и шпилька	Size:mm		Weight:kg	0.21	NO.	NO.151-1														
	Part No.	DZ15221340016/17																													
CH part name	锁栓及销																														
EN part name	Lockscrew																														
RU part name	Затвор и шпилька																														
Size:mm																															
Weight:kg	0.21																														
NO.	NO.151-1																														
Remarks: SHACMAN 新M3000																															
KD2523	<table border="1"> <tr><td>Part No.</td><td>DZ15221511011</td></tr> <tr><td>CH part name</td><td>右空气悬浮座椅总成</td></tr> <tr><td>EN part name</td><td>Seat air spring right</td></tr> <tr><td>RU part name</td><td>Кресло в сборе</td></tr> <tr><td>Size:mm</td><td></td></tr> <tr><td>Weight:kg</td><td></td></tr> <tr><td>NO.</td><td>NO.152-1</td></tr> </table>	Part No.	DZ15221511011	CH part name	右空气悬浮座椅总成	EN part name	Seat air spring right	RU part name	Кресло в сборе	Size:mm		Weight:kg		NO.	NO.152-1	KD2524	<table border="1"> <tr><td>Part No.</td><td>DZ15221510011</td></tr> <tr><td>CH part name</td><td>左空气悬浮座椅总成</td></tr> <tr><td>EN part name</td><td>Seat air spring left</td></tr> <tr><td>RU part name</td><td>Кресло в сборе</td></tr> <tr><td>Size:mm</td><td></td></tr> <tr><td>Weight:kg</td><td></td></tr> <tr><td>NO.</td><td>NO.152-2</td></tr> </table>	Part No.	DZ15221510011	CH part name	左空气悬浮座椅总成	EN part name	Seat air spring left	RU part name	Кресло в сборе	Size:mm		Weight:kg		NO.	NO.152-2
Part No.	DZ15221511011																														
CH part name	右空气悬浮座椅总成																														
EN part name	Seat air spring right																														
RU part name	Кресло в сборе																														
Size:mm																															
Weight:kg																															
NO.	NO.152-1																														
Part No.	DZ15221510011																														
CH part name	左空气悬浮座椅总成																														
EN part name	Seat air spring left																														
RU part name	Кресло в сборе																														
Size:mm																															
Weight:kg																															
NO.	NO.152-2																														
Remarks: SHACMAN 新M3000		DZ15221510012 DZ15221511013	Remarks: SHACMAN 新M3000 DZ15221510013																												
KD2525	<table border="1"> <tr><td>Part No.</td><td>DZ15221740010</td></tr> <tr><td>CH part name</td><td>刮臂总成</td></tr> <tr><td>EN part name</td><td>Wiper Arm Swf</td></tr> <tr><td>RU part name</td><td>Скрещивание рук</td></tr> <tr><td>Size:mm</td><td></td></tr> <tr><td>Weight:kg</td><td>0.19</td></tr> <tr><td>NO.</td><td>NO.153-2</td></tr> </table>	Part No.	DZ15221740010	CH part name	刮臂总成	EN part name	Wiper Arm Swf	RU part name	Скрещивание рук	Size:mm		Weight:kg	0.19	NO.	NO.153-2	KD2526	<table border="1"> <tr><td>Part No.</td><td>DZ15221560011</td></tr> <tr><td>CH part name</td><td>安全带总成</td></tr> <tr><td>EN part name</td><td>Safety belt</td></tr> <tr><td>RU part name</td><td>Пристегните ремни</td></tr> <tr><td>Size:mm</td><td></td></tr> <tr><td>Weight:kg</td><td></td></tr> <tr><td>NO.</td><td>NO.152-1</td></tr> </table>	Part No.	DZ15221560011	CH part name	安全带总成	EN part name	Safety belt	RU part name	Пристегните ремни	Size:mm		Weight:kg		NO.	NO.152-1
Part No.	DZ15221740010																														
CH part name	刮臂总成																														
EN part name	Wiper Arm Swf																														
RU part name	Скрещивание рук																														
Size:mm																															
Weight:kg	0.19																														
NO.	NO.153-2																														
Part No.	DZ15221560011																														
CH part name	安全带总成																														
EN part name	Safety belt																														
RU part name	Пристегните ремни																														
Size:mm																															
Weight:kg																															
NO.	NO.152-1																														
Remarks: SHACMAN 新M3000			Remarks: SHACMAN 新M3000																												

SHACMAN(1)

WINDSCREEN , WIPER ASSEMBLY		NO.153 新M3000		KD2527			
						Part No.	DZ15221710010
						CH part name	前风窗玻璃总成
						EN part name	Forward Windscreen Assembly
						RU part name	Переднее стекло
						Size:mm	
						Weight:kg	29.5
						NO.	NO.153-1
Remarks: SHACMAN 新M3000				KD2528			
<p style="text-align: center;">WATER CONTAINER</p>						Part No.	DZ15221740016
						CH part name	雨刮片
						EN part name	Wiper blade
						RU part name	Дождь из дождя
						Size:mm	
						Weight:kg	0.11
						NO.	NO.153-2
Remarks: SHACMAN 新M3000				KD2529			
						Part No.	DZ15221740013
						CH part name	雨刮连杆 (带电机) 总成
						EN part name	Wiper Linkage Assembly
						RU part name	Шатун дождя
						Size:mm	
						Weight:kg	2.58
						NO.	NO.153-3
Remarks: SHACMAN 新M3000				KD2530			
						Part No.	DZ15221740009
						CH part name	雨刷电机
						EN part name	Wiper motor
						RU part name	Стеклоочистительная машина
						Size:mm	
						Weight:kg	2
						NO.	NO.153-3
Remarks: SHACMAN 新M3000				KD2531			
						Part No.	DZ15221743020
						CH part name	喷淋壶总成
						EN part name	Water Container
						RU part name	распылитель
						Size:mm	
						Weight:kg	0.31
						NO.	NO.153-2
Remarks: SHACMAN 新M3000 DZ22405270010 ,DZ15221740020				KD2532			
						Part No.	DZ15221740040
						CH part name	水壶喷水管
						EN part name	Kettle spray pipe
						RU part name	Водоструйная труба
						Size:mm	
						Weight:kg	0.1
						NO.	NO.153-1
Remarks: SHACMAN 新M3000							

SHACMAN(1)

	<table border="1"> <tr><td>Part No.</td><td>DZ15221740030</td></tr> <tr><td>CH part name</td><td>水壶进水管</td></tr> <tr><td>EN part name</td><td>Water Container In-hose</td></tr> <tr><td>RU part name</td><td>Водяной дренаж</td></tr> <tr><td>Size:mm</td><td></td></tr> <tr><td>Weight:kg</td><td>0.1</td></tr> <tr><td>NO.</td><td>NO.153-12</td></tr> </table>	Part No.	DZ15221740030	CH part name	水壶进水管	EN part name	Water Container In-hose	RU part name	Водяной дренаж	Size:mm		Weight:kg	0.1	NO.	NO.153-12		<table border="1"> <tr><td>Part No.</td><td>DZ15221740032</td></tr> <tr><td>CH part name</td><td>喷淋壶右安装支架</td></tr> <tr><td>EN part name</td><td>Water Container Right Bracket</td></tr> <tr><td>RU part name</td><td>Правый стойка</td></tr> <tr><td>Size:mm</td><td></td></tr> <tr><td>Weight:kg</td><td>0.11</td></tr> <tr><td>NO.</td><td>NO.153-3</td></tr> </table>	Part No.	DZ15221740032	CH part name	喷淋壶右安装支架	EN part name	Water Container Right Bracket	RU part name	Правый стойка	Size:mm		Weight:kg	0.11	NO.	NO.153-3
Part No.	DZ15221740030																														
CH part name	水壶进水管																														
EN part name	Water Container In-hose																														
RU part name	Водяной дренаж																														
Size:mm																															
Weight:kg	0.1																														
NO.	NO.153-12																														
Part No.	DZ15221740032																														
CH part name	喷淋壶右安装支架																														
EN part name	Water Container Right Bracket																														
RU part name	Правый стойка																														
Size:mm																															
Weight:kg	0.11																														
NO.	NO.153-3																														
Remarks: SHACMAN 新M3000		Remarks: SHACMAN 新M3000																													
VIEW MIRROR NO.154 新M3000																															
			<table border="1"> <tr><td>Part No.</td><td>DZ15221740031</td></tr> <tr><td>CH part name</td><td>喷淋壶左安装支架</td></tr> <tr><td>EN part name</td><td>Water Container Left Bracket</td></tr> <tr><td>RU part name</td><td>Левая стойка</td></tr> <tr><td>Size:mm</td><td></td></tr> <tr><td>Weight:kg</td><td>0.11</td></tr> <tr><td>NO.</td><td>NO.153-10</td></tr> </table>	Part No.	DZ15221740031	CH part name	喷淋壶左安装支架	EN part name	Water Container Left Bracket	RU part name	Левая стойка	Size:mm		Weight:kg	0.11	NO.	NO.153-10														
Part No.	DZ15221740031																														
CH part name	喷淋壶左安装支架																														
EN part name	Water Container Left Bracket																														
RU part name	Левая стойка																														
Size:mm																															
Weight:kg	0.11																														
NO.	NO.153-10																														
Remarks: SHACMAN 新M3000		Remarks: SHACMAN 新M3000																													
	<table border="1"> <tr><td>Part No.</td><td>DZ15221770130</td></tr> <tr><td>CH part name</td><td>左外后视镜总成</td></tr> <tr><td>EN part name</td><td>Left view mirror</td></tr> <tr><td>RU part name</td><td>В общем, зеркало заднего вида</td></tr> <tr><td>Size:mm</td><td></td></tr> <tr><td>Weight:kg</td><td></td></tr> <tr><td>NO.</td><td>NO.154-1</td></tr> </table>	Part No.	DZ15221770130	CH part name	左外后视镜总成	EN part name	Left view mirror	RU part name	В общем, зеркало заднего вида	Size:mm		Weight:kg		NO.	NO.154-1		<table border="1"> <tr><td>Part No.</td><td>DZ15221770140</td></tr> <tr><td>CH part name</td><td>右外后视镜总成</td></tr> <tr><td>EN part name</td><td>Right view mirror</td></tr> <tr><td>RU part name</td><td>В общем, зеркало заднего вида</td></tr> <tr><td>Size:mm</td><td></td></tr> <tr><td>Weight:kg</td><td></td></tr> <tr><td>NO.</td><td>NO.154-1</td></tr> </table>	Part No.	DZ15221770140	CH part name	右外后视镜总成	EN part name	Right view mirror	RU part name	В общем, зеркало заднего вида	Size:mm		Weight:kg		NO.	NO.154-1
Part No.	DZ15221770130																														
CH part name	左外后视镜总成																														
EN part name	Left view mirror																														
RU part name	В общем, зеркало заднего вида																														
Size:mm																															
Weight:kg																															
NO.	NO.154-1																														
Part No.	DZ15221770140																														
CH part name	右外后视镜总成																														
EN part name	Right view mirror																														
RU part name	В общем, зеркало заднего вида																														
Size:mm																															
Weight:kg																															
NO.	NO.154-1																														
Remarks: SHACMAN 新M3000 DZ15221770030 DZ15221771030		Remarks: SHACMAN 新M3000 DZ15221770050 DZ15221771050 RH optional																													

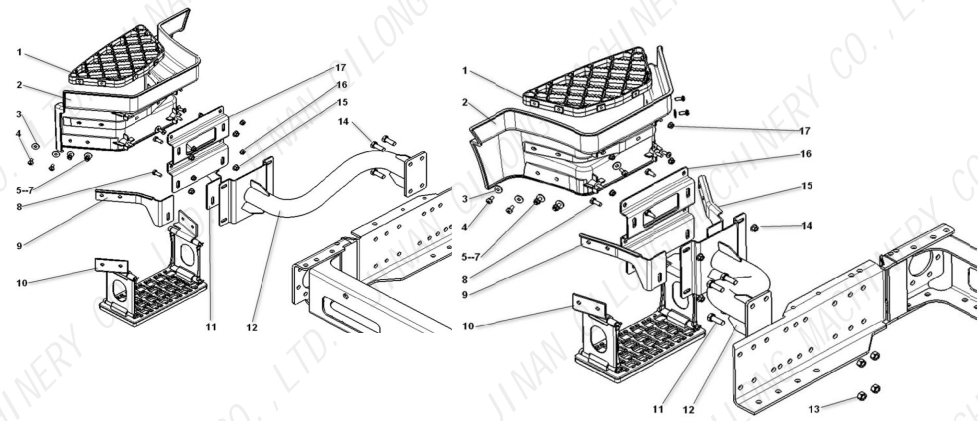




SHACMAN(1)

S SUN VISOR		NO. 155 新M3000		KD2539			
						Part No.	DZ15221770060
						CH part name	前下视镜总成
						EN part name	Front mirror
						RU part name	Зеркало заднего вида
						Size:mm	
						Weight:kg	0.95
						NO.	NO.154-1
Remarks: SHACMAN 新M3000 DZ15221770065 RH optional				KD2540			
						Part No.	DZ15221880161
						CH part name	遮阳罩本体
						EN part name	Sun Visor 1
						RU part name	бензобак
						Size:mm	
						Weight:kg	
						NO.	NO.155-1
Remarks: SHACMAN 新M3000 DZ22408204011				KD2541			
						Part No.	DZ15221880161
						CH part name	遮阳罩本体
						EN part name	Sun Visor 1
						RU part name	бензобак
						Size:mm	
						Weight:kg	
						NO.	NO.155-1
Remarks: SHACMAN 新M3000				KD2542			
						Part No.	DZ15221880161
						CH part name	遮阳罩本体
						EN part name	Sun Visor 1
						RU part name	бензобак
						Size:mm	
						Weight:kg	
						NO.	NO.155-1
Remarks: SHACMAN 新M3000				KD2543			
						Part No.	DZ15221110010
						CH part name	驾驶室前横梁总成
						EN part name	Front cross member assy
						RU part name	Передний балка
						Size:mm	
						Weight:kg	
						NO.	NO.155-1
Remarks: SHACMAN 新M3000				KD2544			
						Part No.	DZ15221242464
						CH part name	下台阶
						EN part name	Ladder
						RU part name	Нижняя ступенька
						Size:mm	
						Weight:kg	1.2
						NO.	NO.156-2
Remarks: SHACMAN 新M3000							

SHACMAN(1)

Get on the bus step		NO.156 新M3000		
	KD2545			
			Part No. DZ15221242453	
			CH part name 左下门台阶	
			EN part name Left door step	
			RU part name Шаг слева	
			Size:mm	
			Weight:kg 1.5	
			NO. NO.156-4	
	Remarks: SHACMAN 新M3000 牵引车 tractor			
	KD2546			
		Part No. DZ15221242454		
		CH part name 右下门台阶		
		EN part name Right door step		
		RU part name Правый порог		
		Size:mm		
		Weight:kg 1.5		
		NO. NO.156-4		
Remarks: SHACMAN 新M3000 牵引车 tractor				
KD2547		KD2548		
	Part No. DZ15221242635		Part No. DZ15221242645	
	CH part name 支撑托架总成 (左)		CH part name 支撑托架总成 (右)	
	EN part name bracket assembly left		EN part name bracket assembly right	
	RU part name Опорная подставка		RU part name Опорная подставка	
	Size:mm		Size:mm	
	Weight:kg 8		Weight:kg 8	
	NO. NO.156-8		NO. NO.156-8	
	Remarks: SHACMAN 新M3000 牵引车 tractor		Remarks: SHACMAN 新M3000 牵引车 tractor	
KD2549		KD2550		
	Part No. DZ15221242640		Part No. DZ15221242720	
	CH part name 安装支架总成 (R)		CH part name 安装支架总成 (L)	
	EN part name bracket assembly right		EN part name bracket assembly left	
	RU part name Монтажная крепь		RU part name Монтажная крепь	
	Size:mm		Size:mm	
	Weight:kg 18		Weight:kg 18	
	NO. NO.156-10		NO. NO.156-10	
	Remarks: SHACMAN 新M3000 牵引车 tractor		Remarks: SHACMAN 新M3000 牵引车 tractor	

SHACMAN(1)

Get on the bus step		NO.157 新M3000															
	KD2551		<table border="1"> <tr><td>Part No.</td><td>DZ15221242740</td></tr> <tr><td>CH part name</td><td>安装支架总成 (R)</td></tr> <tr><td>EN part name</td><td>bracket assembly right</td></tr> <tr><td>RU part name</td><td>Монтажная крепь</td></tr> <tr><td>Size:mm</td><td></td></tr> <tr><td>Weight:kg</td><td>18</td></tr> <tr><td>NO.</td><td>NO.157-12</td></tr> </table>	Part No.	DZ15221242740	CH part name	安装支架总成 (R)	EN part name	bracket assembly right	RU part name	Монтажная крепь	Size:mm		Weight:kg	18	NO.	NO.157-12
	Part No.	DZ15221242740															
CH part name	安装支架总成 (R)																
EN part name	bracket assembly right																
RU part name	Монтажная крепь																
Size:mm																	
Weight:kg	18																
NO.	NO.157-12																
Remarks: SHACMAN 新M3000 工程车 truck			<table border="1"> <tr><td>Part No.</td><td>DZ15221242730</td></tr> <tr><td>CH part name</td><td>安装支架总成 (L)</td></tr> <tr><td>EN part name</td><td>bracket assembly left</td></tr> <tr><td>RU part name</td><td>Монтажная крепь</td></tr> <tr><td>Size:mm</td><td></td></tr> <tr><td>Weight:kg</td><td>18</td></tr> <tr><td>NO.</td><td>NO.157-12</td></tr> </table>	Part No.	DZ15221242730	CH part name	安装支架总成 (L)	EN part name	bracket assembly left	RU part name	Монтажная крепь	Size:mm		Weight:kg	18	NO.	NO.157-12
Part No.	DZ15221242730																
CH part name	安装支架总成 (L)																
EN part name	bracket assembly left																
RU part name	Монтажная крепь																
Size:mm																	
Weight:kg	18																
NO.	NO.157-12																
KD2553		KD2554															
	Part No.	DZ15221242455															
	CH part name	左下门台阶															
	EN part name	Left door step															
	RU part name	Шаг слева															
	Size:mm																
	Weight:kg	1															
	NO.	NO.157-2															
Remarks: SHACMAN 新M3000 (自卸车) DZ22405410251		Remarks: SHACMAN 新M3000 (自卸车) DZ22405410261															
KD2555		KD2556															
	Part No.	DZ15221242446															
	CH part name	左后安装支架															
	EN part name	bracket assembly left															
	RU part name	Монтажная крепь															
	Size:mm																
	Weight:kg																
	NO.	NO.157-9															
Remarks: SHACMAN 新M3000 DZ15221242447		Remarks: SHACMAN 新M3000															



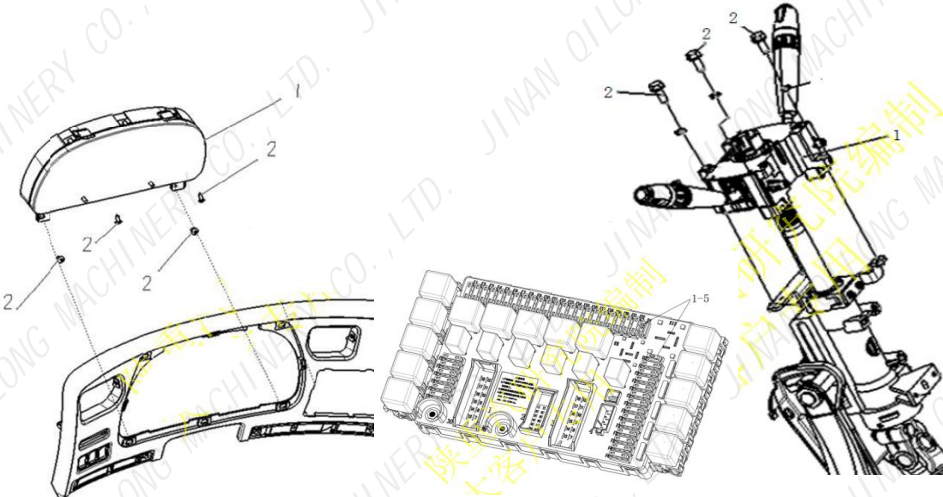



SHACMAN(1)

	<p>KD2557</p> <p>Part No. DZ15221242457</p> <p>CH part name 左下台阶总成</p> <p>EN part name Left step assembly</p> <p>RU part name Левая лестница</p> <p>Size:mm</p> <p>Weight:kg 1.2</p> <p>NO. NO.157-10</p>		<p>KD2558</p> <p>Part No. DZ15221242655</p> <p>CH part name 过渡板总成</p> <p>EN part name Plank assembly</p> <p>RU part name Переходная плита</p> <p>Size:mm</p> <p>Weight:kg 0.5</p> <p>NO. NO.157-16</p>
<p>Remarks: SHACMAN 新M3000 (自卸车)</p>		<p>Remarks: SHACMAN 新M3000</p>	
	<p>KD2559</p> <p>Part No. DZ15221242458</p> <p>CH part name 右下台阶总成</p> <p>EN part name Right step assembly</p> <p>RU part name Нижняя ступенька</p> <p>Size:mm</p> <p>Weight:kg 1.2</p> <p>NO. NO.157-10</p>		<p>KD2560</p> <p>Part No. DZ15221242448</p> <p>CH part name 后安装支架</p> <p>EN part name Screw</p> <p>RU part name Задняя крепь</p> <p>Size:mm</p> <p>Weight:kg 0.31</p> <p>NO. NO.157-11</p>
<p>Remarks: SHACMAN 新M3000 (自卸车)</p>		<p>Remarks: SHACMAN 新M3000</p>	
	<p>KD2561</p> <p>Part No. DZ96189586170</p> <p>CH part name 收放机</p> <p>EN part name Feedback radio</p> <p>RU part name Машина для уборки</p> <p>Size:mm</p> <p>Weight:kg</p> <p>NO. NO.158-1</p>		<p>KD2562</p> <p>Part No. DZ96189584603</p> <p>CH part name 前雾灯开关</p> <p>EN part name Front fog light switch</p> <p>RU part name Выключатель переднего тумана</p> <p>Size:mm</p> <p>Weight:kg 0.15</p> <p>NO. NO.158-1</p>
<p>Remarks: SHACMAN 新M3000</p>		<p>Remarks: SHACMAN 新M3000</p>	
	<p>KD2563</p> <p>Part No. DZ96189584604</p> <p>CH part name 后雾灯开关</p> <p>EN part name Rear fog light switch</p> <p>RU part name Задний выключатель тумана</p> <p>Size:mm</p> <p>Weight:kg 0.15</p> <p>NO. NO.158-2</p>		<p>KD2564</p> <p>Part No. DZ96189584607</p> <p>CH part name 轮间闭锁开关</p> <p>EN part name Interwheel lock switch</p> <p>RU part name Переключатель между колесами</p> <p>Size:mm</p> <p>Weight:kg 0.15</p> <p>NO. NO.158-3</p>
<p>Remarks: SHACMAN 新M3000</p>		<p>Remarks: SHACMAN 新M3000</p>	









SHACMAN(1)

S WITCH		NO.158 新M3000																													
			<table border="1"> <tr><td>Part No.</td><td>DZ96189584605</td></tr> <tr><td>CH part name</td><td>危险报警开关</td></tr> <tr><td>EN part name</td><td>Danger alarm switch</td></tr> <tr><td>RU part name</td><td>Аварийный выключатель</td></tr> <tr><td>Size:mm</td><td></td></tr> <tr><td>Weight:kg</td><td>0.15</td></tr> <tr><td>NO.</td><td>NO.158-4</td></tr> </table>	Part No.	DZ96189584605	CH part name	危险报警开关	EN part name	Danger alarm switch	RU part name	Аварийный выключатель	Size:mm		Weight:kg	0.15	NO.	NO.158-4														
	Part No.	DZ96189584605																													
	CH part name	危险报警开关																													
	EN part name	Danger alarm switch																													
	RU part name	Аварийный выключатель																													
	Size:mm																														
	Weight:kg	0.15																													
	NO.	NO.158-4																													
	Remarks: SHACMAN 新M3000																														
	<table border="1"> <tr><td>Part No.</td><td>DZ96189584601</td></tr> <tr><td>CH part name</td><td>电气喇叭转换开关</td></tr> <tr><td>EN part name</td><td>Electric horn switch</td></tr> <tr><td>RU part name</td><td>Электрические трубы переключаются</td></tr> <tr><td>Size:mm</td><td></td></tr> <tr><td>Weight:kg</td><td>0.15</td></tr> <tr><td>NO.</td><td>NO.158-5</td></tr> </table>		Part No.	DZ96189584601	CH part name	电气喇叭转换开关	EN part name	Electric horn switch	RU part name	Электрические трубы переключаются	Size:mm		Weight:kg	0.15	NO.	NO.158-5	<table border="1"> <tr><td>Part No.</td><td>DZ96189584606</td></tr> <tr><td>CH part name</td><td>轴间闭锁开关</td></tr> <tr><td>EN part name</td><td>Intershaft latching switch</td></tr> <tr><td>RU part name</td><td>Переключатель между осями</td></tr> <tr><td>Size:mm</td><td></td></tr> <tr><td>Weight:kg</td><td>0.15</td></tr> <tr><td>NO.</td><td>NO.158-8</td></tr> </table>	Part No.	DZ96189584606	CH part name	轴间闭锁开关	EN part name	Intershaft latching switch	RU part name	Переключатель между осями	Size:mm		Weight:kg	0.15	NO.	NO.158-8
	Part No.	DZ96189584601																													
	CH part name	电气喇叭转换开关																													
	EN part name	Electric horn switch																													
	RU part name	Электрические трубы переключаются																													
	Size:mm																														
	Weight:kg	0.15																													
	NO.	NO.158-5																													
	Part No.	DZ96189584606																													
CH part name	轴间闭锁开关																														
EN part name	Intershaft latching switch																														
RU part name	Переключатель между осями																														
Size:mm																															
Weight:kg	0.15																														
NO.	NO.158-8																														
Remarks: SHACMAN 新M3000																															
	<table border="1"> <tr><td>Part No.</td><td>DZ96189584608</td></tr> <tr><td>CH part name</td><td>顶灯开关</td></tr> <tr><td>EN part name</td><td>The dome light switch</td></tr> <tr><td>RU part name</td><td>Выключатель фары</td></tr> <tr><td>Size:mm</td><td></td></tr> <tr><td>Weight:kg</td><td>0.15</td></tr> <tr><td>NO.</td><td>NO.158-6</td></tr> </table>	Part No.	DZ96189584608	CH part name	顶灯开关	EN part name	The dome light switch	RU part name	Выключатель фары	Size:mm		Weight:kg	0.15	NO.	NO.158-6	<table border="1"> <tr><td>Part No.</td><td>DZ96189586601</td></tr> <tr><td>CH part name</td><td>点烟器</td></tr> <tr><td>EN part name</td><td>Cigar lighter</td></tr> <tr><td>RU part name</td><td>Дымовой аппарат</td></tr> <tr><td>Size:mm</td><td></td></tr> <tr><td>Weight:kg</td><td>0.1</td></tr> <tr><td>NO.</td><td>NO.158-1</td></tr> </table>		Part No.	DZ96189586601	CH part name	点烟器	EN part name	Cigar lighter	RU part name	Дымовой аппарат	Size:mm		Weight:kg	0.1	NO.	NO.158-1
	Part No.	DZ96189584608																													
	CH part name	顶灯开关																													
	EN part name	The dome light switch																													
	RU part name	Выключатель фары																													
	Size:mm																														
	Weight:kg	0.15																													
NO.	NO.158-6																														
Part No.	DZ96189586601																														
CH part name	点烟器																														
EN part name	Cigar lighter																														
RU part name	Дымовой аппарат																														
Size:mm																															
Weight:kg	0.1																														
NO.	NO.158-1																														
Remarks: SHACMAN 新M3000																															
	<table border="1"> <tr><td>Part No.</td><td>DZ96189584606</td></tr> <tr><td>CH part name</td><td>轴间闭锁开关</td></tr> <tr><td>EN part name</td><td>Intershaft latching switch</td></tr> <tr><td>RU part name</td><td>Переключатель между осями</td></tr> <tr><td>Size:mm</td><td></td></tr> <tr><td>Weight:kg</td><td>0.15</td></tr> <tr><td>NO.</td><td>NO.158-8</td></tr> </table>	Part No.	DZ96189584606	CH part name	轴间闭锁开关	EN part name	Intershaft latching switch	RU part name	Переключатель между осями	Size:mm		Weight:kg	0.15	NO.	NO.158-8	<table border="1"> <tr><td>Part No.</td><td>DZ96189586601</td></tr> <tr><td>CH part name</td><td>点烟器</td></tr> <tr><td>EN part name</td><td>Cigar lighter</td></tr> <tr><td>RU part name</td><td>Дымовой аппарат</td></tr> <tr><td>Size:mm</td><td></td></tr> <tr><td>Weight:kg</td><td>0.1</td></tr> <tr><td>NO.</td><td>NO.158-1</td></tr> </table>		Part No.	DZ96189586601	CH part name	点烟器	EN part name	Cigar lighter	RU part name	Дымовой аппарат	Size:mm		Weight:kg	0.1	NO.	NO.158-1
	Part No.	DZ96189584606																													
	CH part name	轴间闭锁开关																													
	EN part name	Intershaft latching switch																													
	RU part name	Переключатель между осями																													
	Size:mm																														
	Weight:kg	0.15																													
NO.	NO.158-8																														
Part No.	DZ96189586601																														
CH part name	点烟器																														
EN part name	Cigar lighter																														
RU part name	Дымовой аппарат																														
Size:mm																															
Weight:kg	0.1																														
NO.	NO.158-1																														
Remarks: SHACMAN 新M3000																															
	<table border="1"> <tr><td>Part No.</td><td>DZ96189585801</td></tr> <tr><td>CH part name</td><td>开关板堵盖</td></tr> <tr><td>EN part name</td><td>Switch board cover</td></tr> <tr><td>RU part name</td><td>Крышка переключателя</td></tr> <tr><td>Size:mm</td><td></td></tr> <tr><td>Weight:kg</td><td>0.1</td></tr> <tr><td>NO.</td><td>NO.158-9</td></tr> </table>	Part No.	DZ96189585801	CH part name	开关板堵盖	EN part name	Switch board cover	RU part name	Крышка переключателя	Size:mm		Weight:kg	0.1	NO.	NO.158-9	<table border="1"> <tr><td>Part No.</td><td>DZ96189586601</td></tr> <tr><td>CH part name</td><td>点烟器</td></tr> <tr><td>EN part name</td><td>Cigar lighter</td></tr> <tr><td>RU part name</td><td>Дымовой аппарат</td></tr> <tr><td>Size:mm</td><td></td></tr> <tr><td>Weight:kg</td><td>0.1</td></tr> <tr><td>NO.</td><td>NO.158-1</td></tr> </table>		Part No.	DZ96189586601	CH part name	点烟器	EN part name	Cigar lighter	RU part name	Дымовой аппарат	Size:mm		Weight:kg	0.1	NO.	NO.158-1
	Part No.	DZ96189585801																													
	CH part name	开关板堵盖																													
	EN part name	Switch board cover																													
	RU part name	Крышка переключателя																													
	Size:mm																														
	Weight:kg	0.1																													
NO.	NO.158-9																														
Part No.	DZ96189586601																														
CH part name	点烟器																														
EN part name	Cigar lighter																														
RU part name	Дымовой аппарат																														
Size:mm																															
Weight:kg	0.1																														
NO.	NO.158-1																														
Remarks: SHACMAN 新M3000																															
Remarks: SHACMAN 新M3000		Remarks: SHACMAN 新M3000																													

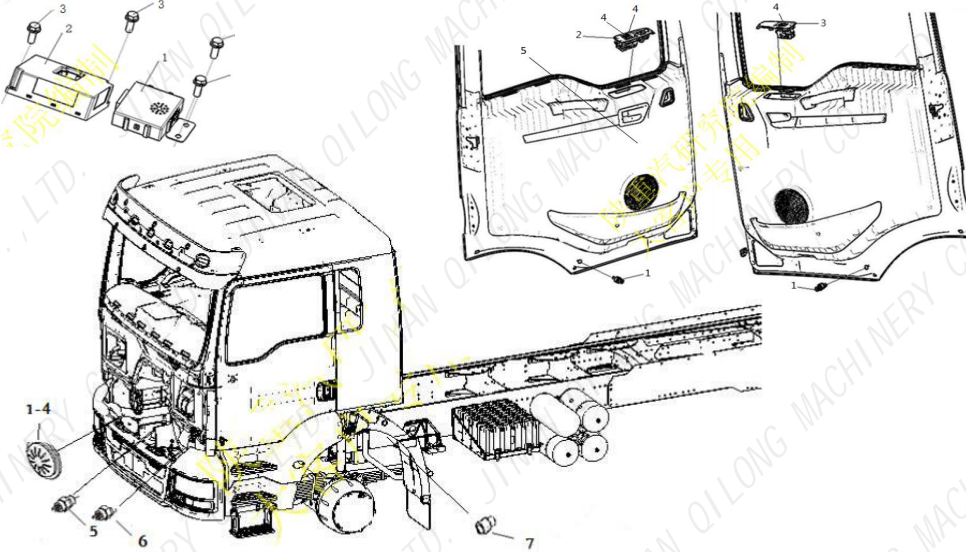









SHACMAN(1)

	<table border="1"> <tr><td>Part No.</td><td>DZ96189584616</td></tr> <tr><td>CH part name</td><td>后工作灯开关</td></tr> <tr><td>EN part name</td><td>Rear working light switch</td></tr> <tr><td>RU part name</td><td>Задние фары</td></tr> <tr><td>Size:mm</td><td></td></tr> <tr><td>Weight:kg</td><td>0.15</td></tr> <tr><td>NO.</td><td>NO.158</td></tr> </table>	Part No.	DZ96189584616	CH part name	后工作灯开关	EN part name	Rear working light switch	RU part name	Задние фары	Size:mm		Weight:kg	0.15	NO.	NO.158		<table border="1"> <tr><td>Part No.</td><td>DZ96189586602</td></tr> <tr><td>CH part name</td><td>点烟器座</td></tr> <tr><td>EN part name</td><td>Cigar lighter base</td></tr> <tr><td>RU part name</td><td>Сидение дымовой трубы</td></tr> <tr><td>Size:mm</td><td></td></tr> <tr><td>Weight:kg</td><td>0.1</td></tr> <tr><td>NO.</td><td>NO.158-2</td></tr> </table>	Part No.	DZ96189586602	CH part name	点烟器座	EN part name	Cigar lighter base	RU part name	Сидение дымовой трубы	Size:mm		Weight:kg	0.1	NO.	NO.158-2
Part No.	DZ96189584616																														
CH part name	后工作灯开关																														
EN part name	Rear working light switch																														
RU part name	Задние фары																														
Size:mm																															
Weight:kg	0.15																														
NO.	NO.158																														
Part No.	DZ96189586602																														
CH part name	点烟器座																														
EN part name	Cigar lighter base																														
RU part name	Сидение дымовой трубы																														
Size:mm																															
Weight:kg	0.1																														
NO.	NO.158-2																														
Remarks: SHACMAN 新M3000		Remarks: SHACMAN 新M3000																													
INSTRUMENT CLUSTER /COMBINATION SWITCH		NO.159 新M3000																													
			<table border="1"> <tr><td>Part No.</td><td>DZ96189772768</td></tr> <tr><td>CH part name</td><td>右前大灯线束</td></tr> <tr><td>EN part name</td><td>Right head light wire</td></tr> <tr><td>RU part name</td><td>Световой пучок</td></tr> <tr><td>Size:mm</td><td></td></tr> <tr><td>Weight:kg</td><td>0.19</td></tr> <tr><td>NO.</td><td></td></tr> </table>	Part No.	DZ96189772768	CH part name	右前大灯线束	EN part name	Right head light wire	RU part name	Световой пучок	Size:mm		Weight:kg	0.19	NO.															
Part No.	DZ96189772768																														
CH part name	右前大灯线束																														
EN part name	Right head light wire																														
RU part name	Световой пучок																														
Size:mm																															
Weight:kg	0.19																														
NO.																															
Remarks: SHACMAN 新M3000		Remarks: SHACMAN 新M3000																													
	<table border="1"> <tr><td>Part No.</td><td>DZ96189584613</td></tr> <tr><td>CH part name</td><td>组合开关</td></tr> <tr><td>EN part name</td><td>Combination switch</td></tr> <tr><td>RU part name</td><td>Комбинированный переключатель</td></tr> <tr><td>Size:mm</td><td></td></tr> <tr><td>Weight:kg</td><td>1.01</td></tr> <tr><td>NO.</td><td>NO.159-1</td></tr> </table>	Part No.	DZ96189584613	CH part name	组合开关	EN part name	Combination switch	RU part name	Комбинированный переключатель	Size:mm		Weight:kg	1.01	NO.	NO.159-1		<table border="1"> <tr><td>Part No.</td><td>DZ96189584636</td></tr> <tr><td>CH part name</td><td>组合开关</td></tr> <tr><td>EN part name</td><td>Combination switch</td></tr> <tr><td>RU part name</td><td>Комбинированный переключатель</td></tr> <tr><td>Size:mm</td><td></td></tr> <tr><td>Weight:kg</td><td>1.01</td></tr> <tr><td>NO.</td><td>NO.159-1</td></tr> </table>	Part No.	DZ96189584636	CH part name	组合开关	EN part name	Combination switch	RU part name	Комбинированный переключатель	Size:mm		Weight:kg	1.01	NO.	NO.159-1
Part No.	DZ96189584613																														
CH part name	组合开关																														
EN part name	Combination switch																														
RU part name	Комбинированный переключатель																														
Size:mm																															
Weight:kg	1.01																														
NO.	NO.159-1																														
Part No.	DZ96189584636																														
CH part name	组合开关																														
EN part name	Combination switch																														
RU part name	Комбинированный переключатель																														
Size:mm																															
Weight:kg	1.01																														
NO.	NO.159-1																														
Remarks: SHACMAN 新M3000		Remarks: SHACMAN 新M3000																													

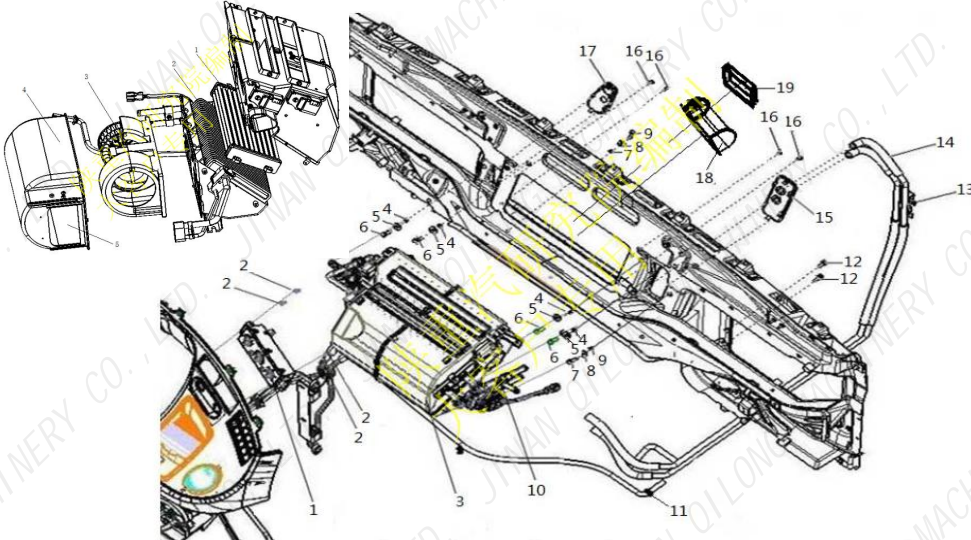






SHACMAN(1)

KD2577				KD2578			
	Part No.	DZ96189584304			Part No.	DZ96189584303	
	CH part name	五爪继电器			CH part name	四爪继电器	
	EN part name	Relay			EN part name	Relay	
	RU part name	Пятикратное реле			RU part name	Пятикратное реле	
	Size:mm				Size:mm		
	Weight:kg	0.1			Weight:kg	0.1	
	NO.	NO.159			NO.	NO.159	
Remarks: SHACMAN 新M3000				Remarks: SHACMAN 新M3000			
KD2579				KD2580			
	Part No.	DZ96189584309			Part No.	DZ96189584306	
	CH part name	闪光继电器			CH part name	延时继电器	
	EN part name	Relay			EN part name	Relay	
	RU part name	Пятикратное реле			RU part name	Пятикратное реле	
	Size:mm				Size:mm		
	Weight:kg	0.16			Weight:kg	0.11	
	NO.	NO.159			NO.	NO.159	
Remarks: SHACMAN 新M3000				Remarks: SHACMAN 新M3000			
KD2581				KD2582			
	Part No.	DZ97189711201			Part No.	DZ95189774060	
	CH part name	气压传感器			CH part name	车速传感器电缆线	
	EN part name	Pressure sensor			EN part name	Cable	
	RU part name	Барометрический датчик			RU part name		
	Size:mm				Size:mm	4300	
	Weight:kg	0.05			Weight:kg	0.2	
	NO.	NO.160-7			NO.	NO.160	
Remarks: SHACMAN 新M3000				Remarks: SHACMAN 新M3000			
KD2583				KD2584			
	Part No.	DZ96189584614			Part No.	DZ95189761010	
	CH part name	门灯开关			CH part name	蓄电池箱体总成	
	EN part name	Door lamp switch			EN part name	Battery box	
	RU part name	Выключатель фары			RU part name	Аккумуляторный ящик	
	Size:mm				Size:mm		
	Weight:kg	0.15			Weight:kg	19.8	
	NO.	NO.160-1			NO.	NO.160	
Remarks: SHACMAN 新M3000				Remarks: SHACMAN 新M3000			

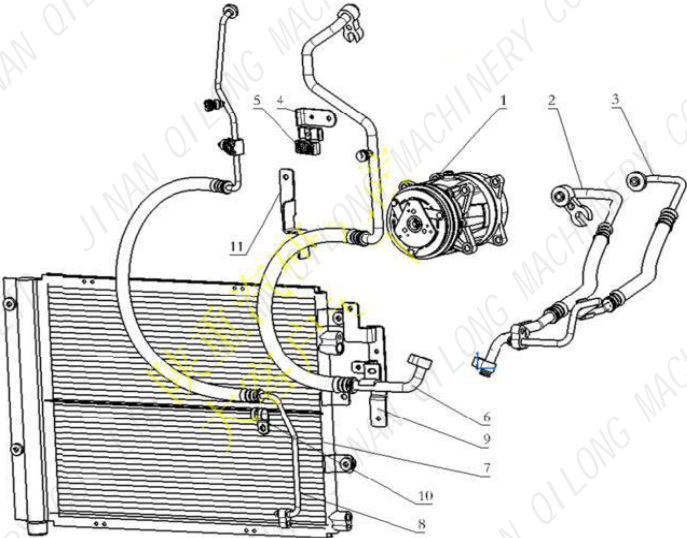















SHACMAN(1)

NO.160 新M3000		KD2585	
			
	Part No.		DZ95189761120
	CH part name		蓄电池箱盖
	EN part name		Battery cover
	RU part name		Крышка аккумулятора
	Size:mm		
	Weight:kg		0.55
NO.	NO.160		
Remarks: SHACMAN 新M3000			
KD2586		KD2588	
			
	Part No.		DZ96189586466
	CH part name		左开关面板
	EN part name		Left switch panel
	RU part name		Левая панель
	Size:mm		
	Weight:kg		0.15
NO.	NO.160-2		
Remarks: SHACMAN 新M3000			
KD2587		KD2588	
			
	Part No.		DZ96189586467
	CH part name		右开关面板
	EN part name		Right switch panel
	RU part name		Правая панель
	Size:mm		
	Weight:kg		0.1
NO.	NO.160-3		
Remarks: SHACMAN 新M3000			
KD2589		KD2590	
			
	Part No.		DZ95189586606
	CH part name		门窗控制单元
	EN part name		Door and window control unit
	RU part name		Блок управления дверью
	Size:mm		
	Weight:kg		0.5
NO.	NO.160-5		
Remarks: SHACMAN 新M3000			
KD2589		KD2590	
			
	Part No.		DZ96189584302
	CH part name		雨刮间歇继电器
	EN part name		Warning flasher
	RU part name		Реле, реле
	Size:mm		
	Weight:kg		0.16
NO.	NO.160-1		
Remarks: SHACMAN 新M3000			

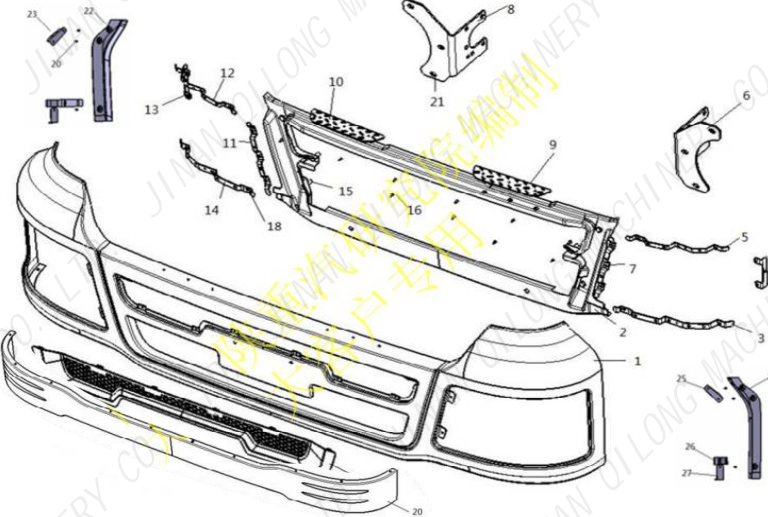












SHACMAN(1)

AIR CONDITIONING SYSTEM		NO.161 新M3000	
	KD2591		
			
	Part No.	DZ96189584628	
	CH part name	中控锁开关	
	EN part name	Central control lock switch	
	RU part name	Универсальный блокировки	
	Size:mm		
	Weight:kg	0.15	
	NO.	NO.160	
	Remarks: SHACMAN 新M3000		
KD2592			
			
Part No.	DZ96189585314		
CH part name	空调控制器		
EN part name	Air conditioning control pane		
RU part name	контроллер		
Size:mm			
Weight:kg			
NO.	NO.161-1		
Remarks: SHACMAN 新M3000 DZ96189585302 DZ96189585303			
KD2593			
			
Part No.	DZ15221842301		
CH part name	空调本体总成		
EN part name	tapping screws		
RU part name	кондиционер		
Size:mm			
Weight:kg	11		
NO.	NO.161-3		
Remarks: SHACMAN 新M3000 DZ15221842302			
KD2594			
			
Part No.	DZ15221845027		
CH part name	暖风铝管总成		
EN part name	Six angle bolt flange		
RU part name	Трубчатая алюминиевая труба		
Size:mm			
Weight:kg	0.28		
NO.	NO.161-13		
Remarks: SHACMAN 新M3000			
KD2595			
			
Part No.	DZ15221842003		
CH part name	暖风成型胶管		
EN part name	Warm air pipe		
RU part name	Формовочная трубка		
Size:mm			
Weight:kg	0.1		
NO.	NO.161-14		
Remarks: SHACMAN 新M3000			
KD2596			
			
Part No.	DZ15221841315		
CH part name	空调滤芯总成		
EN part name	panel		
RU part name	Элемент фильтра		
Size:mm			
Weight:kg	0.21		
NO.	NO.161-19		
Remarks: SHACMAN 新M3000			

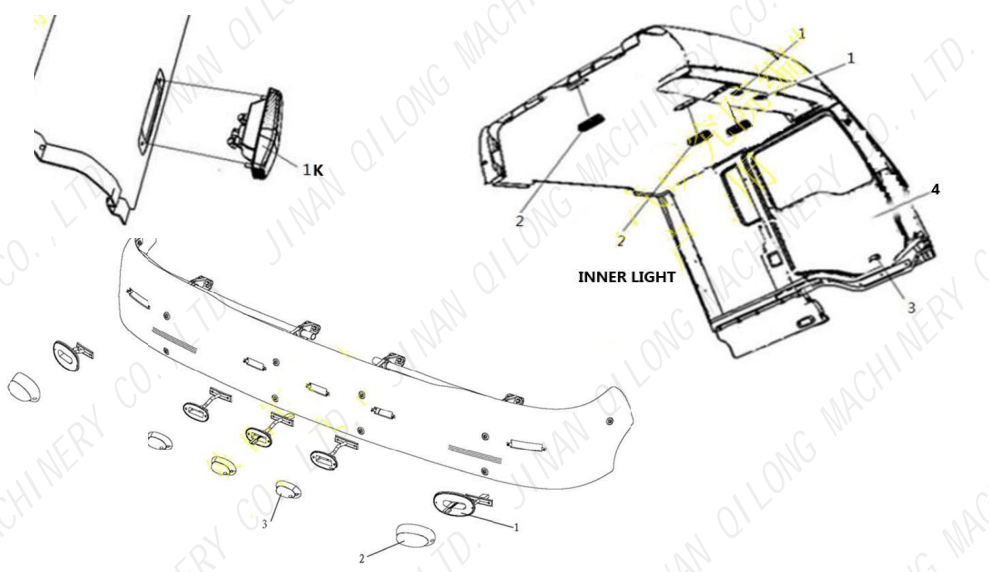






SHACMAN(1)

AIR R CONDITIO ON PIPES		NO.162 新M3000		KD2597			
						Part No.	DZ15221840701
						CH part name	蒸发器芯体总成
				EN part name	Evaporator core		
				RU part name	Тело испарителя		
				Size:mm			
				Weight:kg	0.9		
				NO.	NO.161-3		
Remarks: SHACMAN 新M3000				KD2598			
						Part No.	DZ15221840876
						CH part name	压缩机-蒸发器连接管
						EN part name	Compressor-evaporator duct
						RU part name	Соединительная труба
						Size:mm	
						Weight:kg	0.25
						NO.	NO.162-2
Remarks: SHACMAN WP10 新M3000				KD2599			
						Part No.	DZ15221840871
						CH part name	压缩机-冷凝器连接管路
						EN part name	Compressor- compensator duct
						RU part name	Соединительная труба
						Size:mm	
						Weight:kg	0.25
						NO.	NO.162-3
Remarks: SHACMAN WP10 新M3000				KD2600			
						Part No.	DZ15221840874
						CH part name	压缩机-蒸发器连接管 I
						EN part name	Compressor-evaporator duct
						RU part name	Соединительная труба
						Size:mm	
						Weight:kg	0.27
						NO.	NO.162-6
Remarks: SHACMAN 新M3000				KD2601			
						Part No.	DZ15221845033
						CH part name	冷凝器
						EN part name	Compressor
						RU part name	конденсатор
						Size:mm	
						Weight:kg	3.25
						NO.	NO.162-7
Remarks: SHACMAN 新M3000				KD2602			
						Part No.	DZ15221840842
						CH part name	蒸发器-冷凝器连接管
						EN part name	Compressor- compensator duct
						RU part name	Соединительная труба
						Size:mm	
						Weight:kg	0.28
						NO.	NO.162-3
Remarks: SHACMAN 新M3000				KD2602			





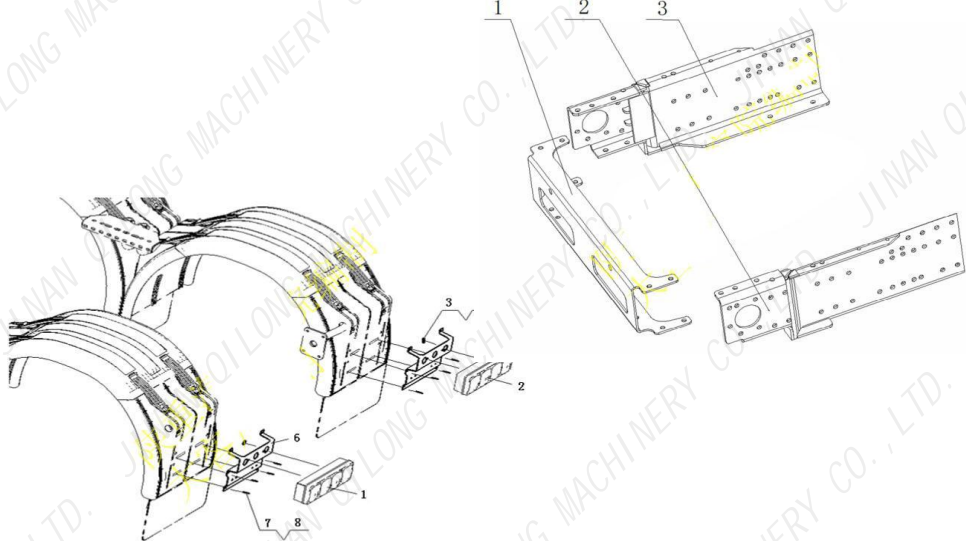


SHACMAN(1)

Dumper bumper		NO.163 新M3000		KD2603			
						Part No.	DZ96259622110
						CH part name	保险杠本体
						EN part name	Bumper body
						RU part name	бампер
						Size:mm	
						Weight:kg	20
						NO.	NO.163-1
Remarks: SHACMAN 新M3000							
				KD2604			
						Part No.	DZ96259622250
						CH part name	保险杠左上固定座总成
						EN part name	Bumper fixed holder assembly
						RU part name	Стационарный состав
						Size:mm	
						Weight:kg	2.5
						NO.	NO.163-6
Remarks: SHACMAN 新M3000							
KD2605				KD2606			
						Part No.	DZ93259932161
						CH part name	防滑板
						EN part name	anti-slip plate
						RU part name	скейтборд
						Size:mm	
						Weight:kg	0.34
						NO.	NO.163-9
Remarks: SHACMAN 新M3000							
				KD2607			
						Part No.	DZ96259622210
						CH part name	保险杠格栅
						EN part name	bumper grill
						RU part name	Решетка бампера
						Size:mm	
						Weight:kg	0.31
						NO.	NO.163-19
Remarks: SHACMAN 新M3000							
				KD2608			
						Part No.	DZ96259622460
						CH part name	左端装饰板
						EN part name	left end decorating plate
						RU part name	Левая концевая доска
						Size:mm	
						Weight:kg	0.1
						NO.	NO.163-22
Remarks: SHACMAN 新M3000							




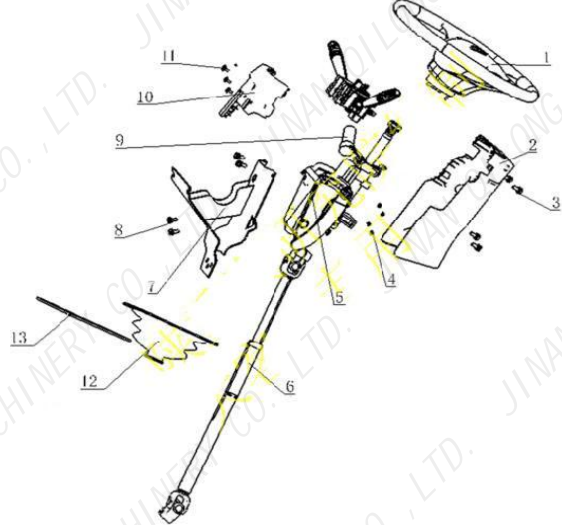


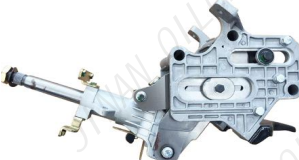
SHACMAN(1)

CLEARANCE LAMP/SIDE TURN SIGNAL LAMP		NO.164																													
		KD2609																													
			<table border="1"> <tr><td>Part No.</td><td>DZ96259622470</td></tr> <tr><td>CH part name</td><td>右端装饰板</td></tr> <tr><td>EN part name</td><td>right end decorating plate</td></tr> <tr><td>RU part name</td><td>Правый козырёк</td></tr> <tr><td>Size:mm</td><td></td></tr> <tr><td>Weight:kg</td><td>0.1</td></tr> <tr><td>NO.</td><td>NO.163-24</td></tr> </table>	Part No.	DZ96259622470	CH part name	右端装饰板	EN part name	right end decorating plate	RU part name	Правый козырёк	Size:mm		Weight:kg	0.1	NO.	NO.163-24														
Part No.	DZ96259622470																														
CH part name	右端装饰板																														
EN part name	right end decorating plate																														
RU part name	Правый козырёк																														
Size:mm																															
Weight:kg	0.1																														
NO.	NO.163-24																														
Remarks: SHACMAN 新M3000																															
		KD2610																													
		<table border="1"> <tr><td>Part No.</td><td>DZ96259622370</td></tr> <tr><td>CH part name</td><td>保险杠副杠</td></tr> <tr><td>EN part name</td><td>Bumper sub</td></tr> <tr><td>RU part name</td><td>Бампер бампер</td></tr> <tr><td>Size:mm</td><td></td></tr> <tr><td>Weight:kg</td><td>5.8</td></tr> <tr><td>NO.</td><td>NO.163-20</td></tr> </table>	Part No.	DZ96259622370	CH part name	保险杠副杠	EN part name	Bumper sub	RU part name	Бампер бампер	Size:mm		Weight:kg	5.8	NO.	NO.163-20															
Part No.	DZ96259622370																														
CH part name	保险杠副杠																														
EN part name	Bumper sub																														
RU part name	Бампер бампер																														
Size:mm																															
Weight:kg	5.8																														
NO.	NO.163-20																														
Remarks: SHACMAN 新M3000 牵引车																															
KD2611		KD2612																													
	<table border="1"> <tr><td>Part No.</td><td>DZ93189723210</td></tr> <tr><td>CH part name</td><td>前示廓灯</td></tr> <tr><td>EN part name</td><td>Clearance lamp</td></tr> <tr><td>RU part name</td><td>Передняя контурная лампа</td></tr> <tr><td>Size:mm</td><td></td></tr> <tr><td>Weight:kg</td><td>0.1</td></tr> <tr><td>NO.</td><td>NO.164-2</td></tr> </table>	Part No.	DZ93189723210	CH part name	前示廓灯	EN part name	Clearance lamp	RU part name	Передняя контурная лампа	Size:mm		Weight:kg	0.1	NO.	NO.164-2		<table border="1"> <tr><td>Part No.</td><td>DZ96189812110</td></tr> <tr><td>CH part name</td><td>右侧转向灯</td></tr> <tr><td>EN part name</td><td>Side turn signal lamp</td></tr> <tr><td>RU part name</td><td>Правый поворотный фонарь</td></tr> <tr><td>Size:mm</td><td></td></tr> <tr><td>Weight:kg</td><td>0.15</td></tr> <tr><td>NO.</td><td>NO.164-1K</td></tr> </table>	Part No.	DZ96189812110	CH part name	右侧转向灯	EN part name	Side turn signal lamp	RU part name	Правый поворотный фонарь	Size:mm		Weight:kg	0.15	NO.	NO.164-1K
Part No.	DZ93189723210																														
CH part name	前示廓灯																														
EN part name	Clearance lamp																														
RU part name	Передняя контурная лампа																														
Size:mm																															
Weight:kg	0.1																														
NO.	NO.164-2																														
Part No.	DZ96189812110																														
CH part name	右侧转向灯																														
EN part name	Side turn signal lamp																														
RU part name	Правый поворотный фонарь																														
Size:mm																															
Weight:kg	0.15																														
NO.	NO.164-1K																														
Remarks: SHACMAN 新M3000		Remarks: SHACMAN 新M3000																													
KD2613		KD2614																													
	<table border="1"> <tr><td>Part No.</td><td>DZ93189723230</td></tr> <tr><td>CH part name</td><td>示高灯</td></tr> <tr><td>EN part name</td><td>Height lamp shell</td></tr> <tr><td>RU part name</td><td>Индикаторная лампа</td></tr> <tr><td>Size:mm</td><td></td></tr> <tr><td>Weight:kg</td><td>0.1</td></tr> <tr><td>NO.</td><td>NO.164-3</td></tr> </table>	Part No.	DZ93189723230	CH part name	示高灯	EN part name	Height lamp shell	RU part name	Индикаторная лампа	Size:mm		Weight:kg	0.1	NO.	NO.164-3		<table border="1"> <tr><td>Part No.</td><td>DZ96189721365</td></tr> <tr><td>CH part name</td><td>顶灯</td></tr> <tr><td>EN part name</td><td>Top lamp</td></tr> <tr><td>RU part name</td><td>плафон</td></tr> <tr><td>Size:mm</td><td></td></tr> <tr><td>Weight:kg</td><td>0.21</td></tr> <tr><td>NO.</td><td>NO.164-2</td></tr> </table>	Part No.	DZ96189721365	CH part name	顶灯	EN part name	Top lamp	RU part name	плафон	Size:mm		Weight:kg	0.21	NO.	NO.164-2
Part No.	DZ93189723230																														
CH part name	示高灯																														
EN part name	Height lamp shell																														
RU part name	Индикаторная лампа																														
Size:mm																															
Weight:kg	0.1																														
NO.	NO.164-3																														
Part No.	DZ96189721365																														
CH part name	顶灯																														
EN part name	Top lamp																														
RU part name	плафон																														
Size:mm																															
Weight:kg	0.21																														
NO.	NO.164-2																														
Remarks: SHACMAN 新M3000		Remarks: SHACMAN 新M3000																													

SHACMAN(1)

	<p>KD2615</p> <table border="1"> <tr><td>Part No.</td><td>DZ15221210001</td></tr> <tr><td>CH part name</td><td>车门本体</td></tr> <tr><td>EN part name</td><td>The door body</td></tr> <tr><td>RU part name</td><td>Блок машины</td></tr> <tr><td>Size:mm</td><td></td></tr> <tr><td>Weight:kg</td><td>19.8</td></tr> <tr><td>NO.</td><td>NO.164-4</td></tr> </table>	Part No.	DZ15221210001	CH part name	车门本体	EN part name	The door body	RU part name	Блок машины	Size:mm		Weight:kg	19.8	NO.	NO.164-4		<p>KD2616</p> <table border="1"> <tr><td>Part No.</td><td>DZ96189721361</td></tr> <tr><td>CH part name</td><td>卧铺阅读灯</td></tr> <tr><td>EN part name</td><td>Reading lamp</td></tr> <tr><td>RU part name</td><td>Читающий свет</td></tr> <tr><td>Size:mm</td><td></td></tr> <tr><td>Weight:kg</td><td>0.15</td></tr> <tr><td>NO.</td><td>NO.164-1</td></tr> </table>	Part No.	DZ96189721361	CH part name	卧铺阅读灯	EN part name	Reading lamp	RU part name	Читающий свет	Size:mm		Weight:kg	0.15	NO.	NO.164-1
Part No.	DZ15221210001																														
CH part name	车门本体																														
EN part name	The door body																														
RU part name	Блок машины																														
Size:mm																															
Weight:kg	19.8																														
NO.	NO.164-4																														
Part No.	DZ96189721361																														
CH part name	卧铺阅读灯																														
EN part name	Reading lamp																														
RU part name	Читающий свет																														
Size:mm																															
Weight:kg	0.15																														
NO.	NO.164-1																														
Remarks: SHACMAN 新M3000		Remarks: SHACMAN 新M3000																													
	<p>KD2617</p> <table border="1"> <tr><td>Part No.</td><td>DZ15221210001Z</td></tr> <tr><td>CH part name</td><td>车门总成</td></tr> <tr><td>EN part name</td><td>The door assembly</td></tr> <tr><td>RU part name</td><td>Блок машины</td></tr> <tr><td>Size:mm</td><td></td></tr> <tr><td>Weight:kg</td><td>21.1</td></tr> <tr><td>NO.</td><td>NO.164-4</td></tr> </table>	Part No.	DZ15221210001Z	CH part name	车门总成	EN part name	The door assembly	RU part name	Блок машины	Size:mm		Weight:kg	21.1	NO.	NO.164-4		<p>KD2618</p> <table border="1"> <tr><td>Part No.</td><td>DZ96189721362</td></tr> <tr><td>CH part name</td><td>踏步灯</td></tr> <tr><td>EN part name</td><td>Step lamp</td></tr> <tr><td>RU part name</td><td>Педальная лампа</td></tr> <tr><td>Size:mm</td><td></td></tr> <tr><td>Weight:kg</td><td>0.1</td></tr> <tr><td>NO.</td><td>NO.164-3</td></tr> </table>	Part No.	DZ96189721362	CH part name	踏步灯	EN part name	Step lamp	RU part name	Педальная лампа	Size:mm		Weight:kg	0.1	NO.	NO.164-3
Part No.	DZ15221210001Z																														
CH part name	车门总成																														
EN part name	The door assembly																														
RU part name	Блок машины																														
Size:mm																															
Weight:kg	21.1																														
NO.	NO.164-4																														
Part No.	DZ96189721362																														
CH part name	踏步灯																														
EN part name	Step lamp																														
RU part name	Педальная лампа																														
Size:mm																															
Weight:kg	0.1																														
NO.	NO.164-3																														
Remarks: SHACMAN 新M3000		Remarks: SHACMAN 新M3000																													
<p>Composite tail lights/The front attachment</p>		<p>NO.165</p>																													
			<p>KD2619</p> <table border="1"> <tr><td>Part No.</td><td>SZ984000712</td></tr> <tr><td>CH part name</td><td>前横梁</td></tr> <tr><td>EN part name</td><td>Front cross beam</td></tr> <tr><td>RU part name</td><td>Передняя балка</td></tr> <tr><td>Size:mm</td><td></td></tr> <tr><td>Weight:kg</td><td>14.3</td></tr> <tr><td>NO.</td><td>NO.165-1</td></tr> </table>	Part No.	SZ984000712	CH part name	前横梁	EN part name	Front cross beam	RU part name	Передняя балка	Size:mm		Weight:kg	14.3	NO.	NO.165-1														
Part No.	SZ984000712																														
CH part name	前横梁																														
EN part name	Front cross beam																														
RU part name	Передняя балка																														
Size:mm																															
Weight:kg	14.3																														
NO.	NO.165-1																														
		Remarks: SHACMAN 新M3000																													
			<p>KD2620</p> <table border="1"> <tr><td>Part No.</td><td>SZ980000884</td></tr> <tr><td>CH part name</td><td>保险杠右托架总成</td></tr> <tr><td>EN part name</td><td>Bumper right brace assembly</td></tr> <tr><td>RU part name</td><td>Правая подставка</td></tr> <tr><td>Size:mm</td><td></td></tr> <tr><td>Weight:kg</td><td>15.5</td></tr> <tr><td>NO.</td><td>NO.165-2</td></tr> </table>	Part No.	SZ980000884	CH part name	保险杠右托架总成	EN part name	Bumper right brace assembly	RU part name	Правая подставка	Size:mm		Weight:kg	15.5	NO.	NO.165-2														
Part No.	SZ980000884																														
CH part name	保险杠右托架总成																														
EN part name	Bumper right brace assembly																														
RU part name	Правая подставка																														
Size:mm																															
Weight:kg	15.5																														
NO.	NO.165-2																														
		Remarks: SHACMAN 新M3000																													

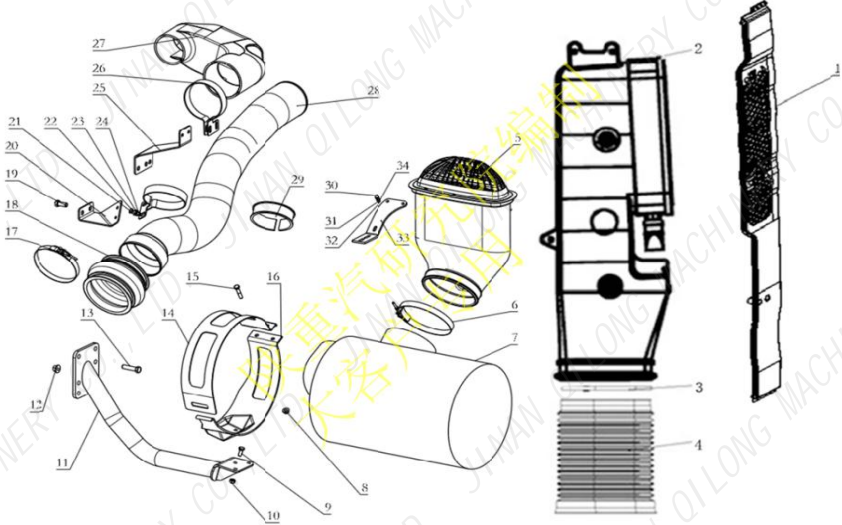






SHACMAN(1)

	<table border="1"> <tr><td>Part No.</td><td>DZ95189811211</td></tr> <tr><td>CH part name</td><td>左组合尾灯(LED)</td></tr> <tr><td>EN part name</td><td>Left Combination taillight</td></tr> <tr><td>RU part name</td><td>Слева комбинированный фонарь</td></tr> <tr><td>Size:mm</td><td></td></tr> <tr><td>Weight:kg</td><td>1.05</td></tr> <tr><td>NO.</td><td>NO.165-1</td></tr> </table>	Part No.	DZ95189811211	CH part name	左组合尾灯(LED)	EN part name	Left Combination taillight	RU part name	Слева комбинированный фонарь	Size:mm		Weight:kg	1.05	NO.	NO.165-1		<table border="1"> <tr><td>Part No.</td><td>SZ980000885</td></tr> <tr><td>CH part name</td><td>保险杠左托架总成</td></tr> <tr><td>EN part name</td><td>Bumper left brace assembly</td></tr> <tr><td>RU part name</td><td>Правая подставка</td></tr> <tr><td>Size:mm</td><td></td></tr> <tr><td>Weight:kg</td><td>15.5</td></tr> <tr><td>NO.</td><td>NO.165-3</td></tr> </table>	Part No.	SZ980000885	CH part name	保险杠左托架总成	EN part name	Bumper left brace assembly	RU part name	Правая подставка	Size:mm		Weight:kg	15.5	NO.	NO.165-3
Part No.	DZ95189811211																														
CH part name	左组合尾灯(LED)																														
EN part name	Left Combination taillight																														
RU part name	Слева комбинированный фонарь																														
Size:mm																															
Weight:kg	1.05																														
NO.	NO.165-1																														
Part No.	SZ980000885																														
CH part name	保险杠左托架总成																														
EN part name	Bumper left brace assembly																														
RU part name	Правая подставка																														
Size:mm																															
Weight:kg	15.5																														
NO.	NO.165-3																														
Remarks: SHACMAN 新M3000		Remarks: SHACMAN 新M3000																													
	<table border="1"> <tr><td>Part No.</td><td>DZ95189811212</td></tr> <tr><td>CH part name</td><td>右组合尾灯(LED)</td></tr> <tr><td>EN part name</td><td>Right Combination taillight</td></tr> <tr><td>RU part name</td><td>Фасонный задний фонарь</td></tr> <tr><td>Size:mm</td><td></td></tr> <tr><td>Weight:kg</td><td>1.05</td></tr> <tr><td>NO.</td><td>NO.165-2</td></tr> </table>	Part No.	DZ95189811212	CH part name	右组合尾灯(LED)	EN part name	Right Combination taillight	RU part name	Фасонный задний фонарь	Size:mm		Weight:kg	1.05	NO.	NO.165-2	STEERING COLUMN ADJUSTABLE NO.166 新M3000															
Part No.	DZ95189811212																														
CH part name	右组合尾灯(LED)																														
EN part name	Right Combination taillight																														
RU part name	Фасонный задний фонарь																														
Size:mm																															
Weight:kg	1.05																														
NO.	NO.165-2																														
Remarks: SHACMAN 新M3000																															
	<table border="1"> <tr><td>Part No.</td><td>DZ96189460500</td></tr> <tr><td>CH part name</td><td>转向盘总成</td></tr> <tr><td>EN part name</td><td>Handl wheel</td></tr> <tr><td>RU part name</td><td>Поворотный диск</td></tr> <tr><td>Size:mm</td><td></td></tr> <tr><td>Weight:kg</td><td></td></tr> <tr><td>NO.</td><td>NO.166-1</td></tr> </table>	Part No.	DZ96189460500	CH part name	转向盘总成	EN part name	Handl wheel	RU part name	Поворотный диск	Size:mm		Weight:kg		NO.	NO.166-1	Remarks: SHACMAN 新M3000 DZ96189460501															
Part No.	DZ96189460500																														
CH part name	转向盘总成																														
EN part name	Handl wheel																														
RU part name	Поворотный диск																														
Size:mm																															
Weight:kg																															
NO.	NO.166-1																														
	<table border="1"> <tr><td>Part No.</td><td>DZ96189460554</td></tr> <tr><td>CH part name</td><td>转向管柱护罩</td></tr> <tr><td>EN part name</td><td>Steering column jacket</td></tr> <tr><td>RU part name</td><td>Колонка колонны</td></tr> <tr><td>Size:mm</td><td></td></tr> <tr><td>Weight:kg</td><td>0.15</td></tr> <tr><td>NO.</td><td>NO.166-2</td></tr> </table>	Part No.	DZ96189460554	CH part name	转向管柱护罩	EN part name	Steering column jacket	RU part name	Колонка колонны	Size:mm		Weight:kg	0.15	NO.	NO.166-2		<table border="1"> <tr><td>Part No.</td><td>DZ96189460558</td></tr> <tr><td>CH part name</td><td>转向管柱</td></tr> <tr><td>EN part name</td><td>Steering column</td></tr> <tr><td>RU part name</td><td>Поворотный колонна</td></tr> <tr><td>Size:mm</td><td></td></tr> <tr><td>Weight:kg</td><td></td></tr> <tr><td>NO.</td><td>NO.166-5</td></tr> </table>	Part No.	DZ96189460558	CH part name	转向管柱	EN part name	Steering column	RU part name	Поворотный колонна	Size:mm		Weight:kg		NO.	NO.166-5
Part No.	DZ96189460554																														
CH part name	转向管柱护罩																														
EN part name	Steering column jacket																														
RU part name	Колонка колонны																														
Size:mm																															
Weight:kg	0.15																														
NO.	NO.166-2																														
Part No.	DZ96189460558																														
CH part name	转向管柱																														
EN part name	Steering column																														
RU part name	Поворотный колонна																														
Size:mm																															
Weight:kg																															
NO.	NO.166-5																														
Remarks: SHACMAN 新M3000		Remarks: SHACMAN 新M3000																													

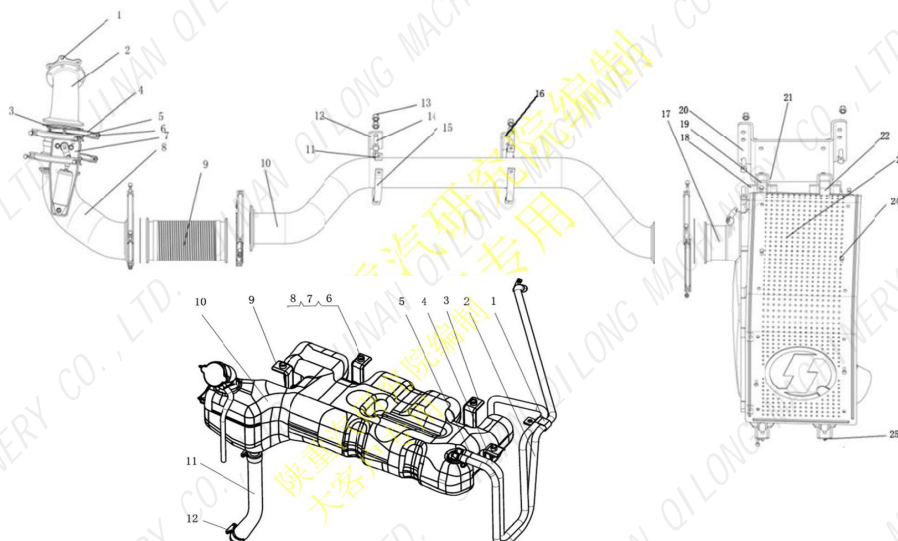






SHACMAN(1)

	<table border="1"> <tr><td>Part No.</td><td>DZ96189460508</td></tr> <tr><td>CH part name</td><td>转向柱下护套</td></tr> <tr><td>EN part name</td><td>Steering column jacket</td></tr> <tr><td>RU part name</td><td>Нижняя оболочка</td></tr> <tr><td>Size:mm</td><td></td></tr> <tr><td>Weight:kg</td><td>0.11</td></tr> <tr><td>NO.</td><td>NO.166-12</td></tr> </table>	Part No.	DZ96189460508	CH part name	转向柱下护套	EN part name	Steering column jacket	RU part name	Нижняя оболочка	Size:mm		Weight:kg	0.11	NO.	NO.166-12		<table border="1"> <tr><td>Part No.</td><td>DZ96189460555</td></tr> <tr><td>CH part name</td><td>转向伸缩轴总成</td></tr> <tr><td>EN part name</td><td>Steering flex shaft assy</td></tr> <tr><td>RU part name</td><td>Телескопическая ось</td></tr> <tr><td>Size:mm</td><td></td></tr> <tr><td>Weight:kg</td><td>3.5</td></tr> <tr><td>NO.</td><td>NO.166-6</td></tr> </table>	Part No.	DZ96189460555	CH part name	转向伸缩轴总成	EN part name	Steering flex shaft assy	RU part name	Телескопическая ось	Size:mm		Weight:kg	3.5	NO.	NO.166-6
Part No.	DZ96189460508																														
CH part name	转向柱下护套																														
EN part name	Steering column jacket																														
RU part name	Нижняя оболочка																														
Size:mm																															
Weight:kg	0.11																														
NO.	NO.166-12																														
Part No.	DZ96189460555																														
CH part name	转向伸缩轴总成																														
EN part name	Steering flex shaft assy																														
RU part name	Телескопическая ось																														
Size:mm																															
Weight:kg	3.5																														
NO.	NO.166-6																														
Remarks: SHACMAN 新M3000		Remarks: SHACMAN 新M3000																													
	<table border="1"> <tr><td>Part No.</td><td>DZ96189460517</td></tr> <tr><td>CH part name</td><td>护套固定圈</td></tr> <tr><td>EN part name</td><td>Retaining ring</td></tr> <tr><td>RU part name</td><td>Закреплённый кольцо</td></tr> <tr><td>Size:mm</td><td></td></tr> <tr><td>Weight:kg</td><td>0.12</td></tr> <tr><td>NO.</td><td>NO.166-13</td></tr> </table>	Part No.	DZ96189460517	CH part name	护套固定圈	EN part name	Retaining ring	RU part name	Закреплённый кольцо	Size:mm		Weight:kg	0.12	NO.	NO.166-13		<table border="1"> <tr><td>Part No.</td><td>DZ96189460511</td></tr> <tr><td>CH part name</td><td>组合开关上包壳</td></tr> <tr><td>EN part name</td><td>The cladding</td></tr> <tr><td>RU part name</td><td>Верхняя оболочка</td></tr> <tr><td>Size:mm</td><td></td></tr> <tr><td>Weight:kg</td><td>0.15</td></tr> <tr><td>NO.</td><td>NO.166-10</td></tr> </table>	Part No.	DZ96189460511	CH part name	组合开关上包壳	EN part name	The cladding	RU part name	Верхняя оболочка	Size:mm		Weight:kg	0.15	NO.	NO.166-10
Part No.	DZ96189460517																														
CH part name	护套固定圈																														
EN part name	Retaining ring																														
RU part name	Закреплённый кольцо																														
Size:mm																															
Weight:kg	0.12																														
NO.	NO.166-13																														
Part No.	DZ96189460511																														
CH part name	组合开关上包壳																														
EN part name	The cladding																														
RU part name	Верхняя оболочка																														
Size:mm																															
Weight:kg	0.15																														
NO.	NO.166-10																														
Remarks: SHACMAN 新M3000		Remarks: SHACMAN 新M3000																													
	<table border="1"> <tr><td>Part No.</td><td>DZ96259190790</td></tr> <tr><td>CH part name</td><td>侧围高位进气装饰板本体</td></tr> <tr><td>EN part name</td><td>Decorative laminate</td></tr> <tr><td>RU part name</td><td>فيول خادلا ةحوللا</td></tr> <tr><td>Size:mm</td><td></td></tr> <tr><td>Weight:kg</td><td>1.01</td></tr> <tr><td>NO.</td><td>NO.167-1</td></tr> </table>	Part No.	DZ96259190790	CH part name	侧围高位进气装饰板本体	EN part name	Decorative laminate	RU part name	فيول خادلا ةحوللا	Size:mm		Weight:kg	1.01	NO.	NO.167-1		<table border="1"> <tr><td>Part No.</td><td>DZ96259190745</td></tr> <tr><td>CH part name</td><td>底座总成</td></tr> <tr><td>EN part name</td><td>Pedestal assembly</td></tr> <tr><td>RU part name</td><td>قدع اوللا نم</td></tr> <tr><td>Size:mm</td><td></td></tr> <tr><td>Weight:kg</td><td>1.58</td></tr> <tr><td>NO.</td><td>NO.167-5</td></tr> </table>	Part No.	DZ96259190745	CH part name	底座总成	EN part name	Pedestal assembly	RU part name	قدع اوللا نم	Size:mm		Weight:kg	1.58	NO.	NO.167-5
Part No.	DZ96259190790																														
CH part name	侧围高位进气装饰板本体																														
EN part name	Decorative laminate																														
RU part name	فيول خادلا ةحوللا																														
Size:mm																															
Weight:kg	1.01																														
NO.	NO.167-1																														
Part No.	DZ96259190745																														
CH part name	底座总成																														
EN part name	Pedestal assembly																														
RU part name	قدع اوللا نم																														
Size:mm																															
Weight:kg	1.58																														
NO.	NO.167-5																														
Remarks: SHACMAN 新M3000		Remarks: SHACMAN 新M3000 DZ96259190736																													
	<table border="1"> <tr><td>Part No.</td><td>DZ96259190759</td></tr> <tr><td>CH part name</td><td>高位进气管本体</td></tr> <tr><td>EN part name</td><td>Intake pipe assembly</td></tr> <tr><td>RU part name</td><td>فيول اوللا ةبصرقلا</td></tr> <tr><td>Size:mm</td><td></td></tr> <tr><td>Weight:kg</td><td>12.1</td></tr> <tr><td>NO.</td><td>NO.167-2</td></tr> </table>	Part No.	DZ96259190759	CH part name	高位进气管本体	EN part name	Intake pipe assembly	RU part name	فيول اوللا ةبصرقلا	Size:mm		Weight:kg	12.1	NO.	NO.167-2		<table border="1"> <tr><td>Part No.</td><td>DZ96259191265</td></tr> <tr><td>CH part name</td><td>空气波纹管</td></tr> <tr><td>EN part name</td><td>Screw pipe</td></tr> <tr><td>RU part name</td><td>خي فانم</td></tr> <tr><td>Size:mm</td><td></td></tr> <tr><td>Weight:kg</td><td>1.18</td></tr> <tr><td>NO.</td><td>NO.167-4</td></tr> </table>	Part No.	DZ96259191265	CH part name	空气波纹管	EN part name	Screw pipe	RU part name	خي فانم	Size:mm		Weight:kg	1.18	NO.	NO.167-4
Part No.	DZ96259190759																														
CH part name	高位进气管本体																														
EN part name	Intake pipe assembly																														
RU part name	فيول اوللا ةبصرقلا																														
Size:mm																															
Weight:kg	12.1																														
NO.	NO.167-2																														
Part No.	DZ96259191265																														
CH part name	空气波纹管																														
EN part name	Screw pipe																														
RU part name	خي فانم																														
Size:mm																															
Weight:kg	1.18																														
NO.	NO.167-4																														
Remarks: SHACMAN 新M3000 DZ96259190759		Remarks: SHACMAN 新M3000																													

SHACMAN(1)

AIR CLEANING DEVICE		NO.167 新M3000		KD2635			
						Part No.	DZ9100190085
						CH part name	波纹管
						EN part name	Screw pipe
						RU part name	خريفانم
						Size:mm	
						Weight:kg	0.19
						NO.	NO.167-18
Remarks: SHACMAN 新M3000				KD2636			
				Part No.	DZ96259190776		
				CH part name	空滤器支架总成		
				EN part name	Pedestal Bracket		
				RU part name	ةغراف ةيفصت لاماح		
				Size:mm			
				Weight:kg	11.5		
				NO.	NO.167-11		
Remarks: SHACMAN 新M3000				KD2637			
		Part No.	DZ9112190092				
		CH part name	空滤器上固定夹				
		EN part name	Bracket				
		RU part name	لكبش لءا اعض				
		Size:mm					
		Weight:kg	1.85				
		NO.	NO.167-14				
Remarks: SHACMAN 新M3000				KD2638			
		Part No.	DZ9112190091				
		CH part name	空滤器下固定夹				
		EN part name	Bracket				
		RU part name	لكبش لءا تءحت				
		Size:mm					
		Weight:kg	1.89				
		NO.	NO.167-16				
Remarks: SHACMAN 新M3000				KD2639			
		Part No.	DZ9003532166				
		CH part name	T 型卡箍				
		EN part name	T Clip				
		RU part name	مءووقء زاءء				
		Size:mm					
		Weight:kg	0.031				
		NO.	NO.167-17				
Remarks: SHACMAN 新M3000				KD2640			
		Part No.	DZ93259190954				
		CH part name	卡箍				
		EN part name	Clip Bracket				
		RU part name	قءوطلا				
		Size:mm					
		Weight:kg	0.52				
		NO.	NO.167-26				
Remarks: SHACMAN 新M3000							

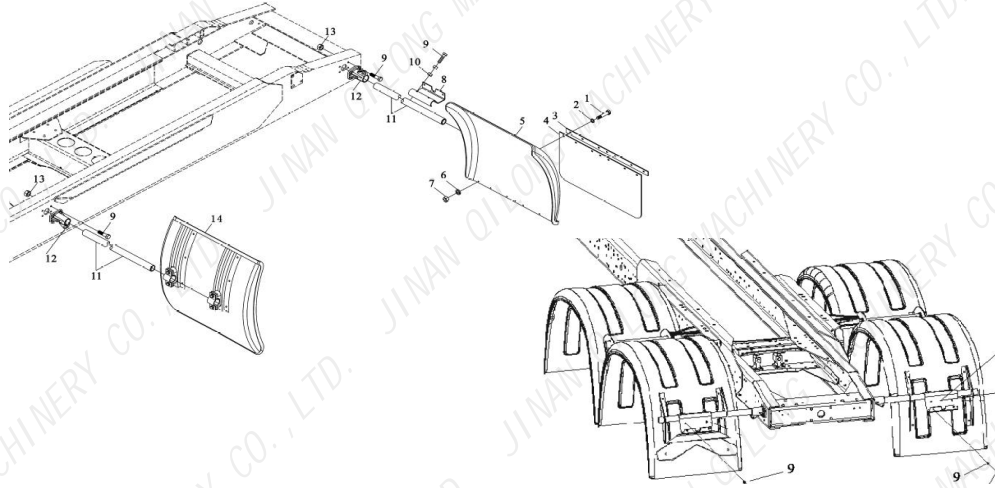






SHACMAN(1)

EXHAUSTING SYSTEM / Expansion box system		NO.168 新M3000		KD2641			
						Part No.	DZ96259191020
						CH part name	进气管
						EN part name	Pipe of turbochager
						RU part name	دي اء اول اقبصقو ا
						Size:mm	
						Weight:kg	
						NO.	NO.167-28
Remarks: SHACMAN 新M3000				KD2642			
				Part No.	DZ96259533001		
				CH part name	膨胀箱总成		
				EN part name	Expansion box assembly		
				RU part name	نازخ ا ا مخصق ا		
				Size:mm			
				Weight:kg	1.43		
				NO.	NO.168-10		
Remarks: SHACMAN 新M3000				KD2643			
		Part No.	DZ91259540016			Part No.	DZ95319540249
		CH part name	密封垫			CH part name	排气管总成 (一)
		EN part name	Sealing mat			EN part name	Exhaust pipe Assembly (1nd) Sealing
		RU part name	قءر ص ح مءخ			RU part name	مءخ (1nd) ءي عمء ا مءاع ا بوءب ا
		Size:mm				Size:mm	
		Weight:kg	0.11			Weight:kg	3.5
		NO.	NO.168-1			NO.	NO.168-2
Remarks: SHACMAN 新M3000				Remarks: SHACMAN 新M3000			
		Part No.	DZ95319540250			Part No.	DZ9112540058
		CH part name	排气管总成 (二)			CH part name	挠性软管
		EN part name	Exhaust pipe Assembly (2nd) Sealing			EN part name	Corrugated pipe
		RU part name	مءاع ا بوءب ا			RU part name	Гофра
		Size:mm				Size:mm	270*150
		Weight:kg	3.6			Weight:kg	2.9
		NO.	NO.168-8			NO.	NO.168-9
Remarks: SHACMAN 新M3000				Remarks: SHACMAN 新M3000			

SHACMAN(1)

KD2647		KD2648	
	Part No.		Part No.
	CH part name		CH part name
	EN part name		EN part name
	RU part name		RU part name
	Size:mm		Size:mm
	Weight:kg		Weight:kg
	NO.		NO.
Remarks: SHACMAN		Remarks: SHACMAN 新M3000 8*4	
KD2649		KD2650	
	Part No.		Part No.
	CH part name		CH part name
	EN part name		EN part name
	RU part name		RU part name
	Size:mm		Size:mm
	Weight:kg		Weight:kg
	NO.		NO.
Remarks: SHACMAN		Remarks: SHACMAN	
KD2651		KD2652	
	Part No.		Part No.
	CH part name		CH part name
	EN part name		EN part name
	RU part name		RU part name
	Size:mm		Size:mm
	Weight:kg		Weight:kg
	NO.		NO.
Remarks: SHACMAN		Remarks: SHACMAN	
KD2653		KD2654	
	Part No.		Part No.
	CH part name		CH part name
	EN part name		EN part name
	RU part name		RU part name
	Size:mm		Size:mm
	Weight:kg		Weight:kg
	NO.		NO.
Remarks: SHACMAN		Remarks: SHACMAN	

SHACMAN(1)

REAR FENDER		NO.99																													
		KD1689																													
			<table border="1"> <tr><td>Part No.</td><td>81.41890.0044</td></tr> <tr><td>CH part name</td><td>支架</td></tr> <tr><td>EN part name</td><td>Support</td></tr> <tr><td>RU part name</td><td>поддержка</td></tr> <tr><td>Size:mm</td><td></td></tr> <tr><td>Weight:kg</td><td>0.35</td></tr> <tr><td>NO.</td><td>NO.98-36</td></tr> </table>	Part No.	81.41890.0044	CH part name	支架	EN part name	Support	RU part name	поддержка	Size:mm		Weight:kg	0.35	NO.	NO.98-36														
		Part No.	81.41890.0044																												
		CH part name	支架																												
EN part name	Support																														
RU part name	поддержка																														
Size:mm																															
Weight:kg	0.35																														
NO.	NO.98-36																														
Remarks:SHACMAN F3000 F2000 6*4 8*4																															
KD1690																															
		<table border="1"> <tr><td>Part No.</td><td>DZ9112952069</td></tr> <tr><td>CH part name</td><td>挡泥板</td></tr> <tr><td>EN part name</td><td>Mudguard</td></tr> <tr><td>RU part name</td><td>брызговик</td></tr> <tr><td>Size:mm</td><td></td></tr> <tr><td>Weight:kg</td><td>0.2</td></tr> <tr><td>NO.</td><td>NO.99-2</td></tr> </table>	Part No.	DZ9112952069	CH part name	挡泥板	EN part name	Mudguard	RU part name	брызговик	Size:mm		Weight:kg	0.2	NO.	NO.99-2															
		Part No.	DZ9112952069																												
		CH part name	挡泥板																												
		EN part name	Mudguard																												
RU part name	брызговик																														
Size:mm																															
Weight:kg	0.2																														
NO.	NO.99-2																														
Remarks: SHACMAN F3000 F2000 6*4 8*4																															
KD1691		KD1692																													
	<table border="1"> <tr><td>Part No.</td><td>DZ9112952066</td></tr> <tr><td>CH part name</td><td>前翼子板总成</td></tr> <tr><td>EN part name</td><td>Front frnder</td></tr> <tr><td>RU part name</td><td>фронт frnder</td></tr> <tr><td>Size:mm</td><td></td></tr> <tr><td>Weight:kg</td><td>4.8</td></tr> <tr><td>NO.</td><td>NO.99-14</td></tr> </table>	Part No.	DZ9112952066	CH part name	前翼子板总成	EN part name	Front frnder	RU part name	фронт frnder	Size:mm		Weight:kg	4.8	NO.	NO.99-14		<table border="1"> <tr><td>Part No.</td><td>DZ95259959130</td></tr> <tr><td>CH part name</td><td>上挡泥板</td></tr> <tr><td>EN part name</td><td>The fender</td></tr> <tr><td>RU part name</td><td>брызговик</td></tr> <tr><td>Size:mm</td><td></td></tr> <tr><td>Weight:kg</td><td>2.7</td></tr> <tr><td>NO.</td><td>NO.99</td></tr> </table>	Part No.	DZ95259959130	CH part name	上挡泥板	EN part name	The fender	RU part name	брызговик	Size:mm		Weight:kg	2.7	NO.	NO.99
	Part No.	DZ9112952066																													
	CH part name	前翼子板总成																													
	EN part name	Front frnder																													
	RU part name	фронт frnder																													
	Size:mm																														
Weight:kg	4.8																														
NO.	NO.99-14																														
Part No.	DZ95259959130																														
CH part name	上挡泥板																														
EN part name	The fender																														
RU part name	брызговик																														
Size:mm																															
Weight:kg	2.7																														
NO.	NO.99																														
Remarks: SHACMAN F3000 F2000 6*4 8*4		Remarks: SHACMAN F2000 F3000																													
KD1693		KD1694																													
	<table border="1"> <tr><td>Part No.</td><td>DZ9112952065</td></tr> <tr><td>CH part name</td><td>后翼子板总成</td></tr> <tr><td>EN part name</td><td>Rear fender</td></tr> <tr><td>RU part name</td><td>заднее крыло</td></tr> <tr><td>Size:mm</td><td></td></tr> <tr><td>Weight:kg</td><td>4.8</td></tr> <tr><td>NO.</td><td>NO.99-5</td></tr> </table>	Part No.	DZ9112952065	CH part name	后翼子板总成	EN part name	Rear fender	RU part name	заднее крыло	Size:mm		Weight:kg	4.8	NO.	NO.99-5		<table border="1"> <tr><td>Part No.</td><td>81.66410.0086</td></tr> <tr><td>CH part name</td><td>整体圆弧式挡泥板</td></tr> <tr><td>EN part name</td><td>The fender</td></tr> <tr><td>RU part name</td><td>брызговик</td></tr> <tr><td>Size:mm</td><td></td></tr> <tr><td>Weight:kg</td><td>3.2</td></tr> <tr><td>NO.</td><td>NO.99</td></tr> </table>	Part No.	81.66410.0086	CH part name	整体圆弧式挡泥板	EN part name	The fender	RU part name	брызговик	Size:mm		Weight:kg	3.2	NO.	NO.99
	Part No.	DZ9112952065																													
	CH part name	后翼子板总成																													
	EN part name	Rear fender																													
	RU part name	заднее крыло																													
	Size:mm																														
Weight:kg	4.8																														
NO.	NO.99-5																														
Part No.	81.66410.0086																														
CH part name	整体圆弧式挡泥板																														
EN part name	The fender																														
RU part name	брызговик																														
Size:mm																															
Weight:kg	3.2																														
NO.	NO.99																														
Remarks: SHACMAN F3000 F2000 6*4 8*4		Remarks: SHACMAN F2000 F3000																													