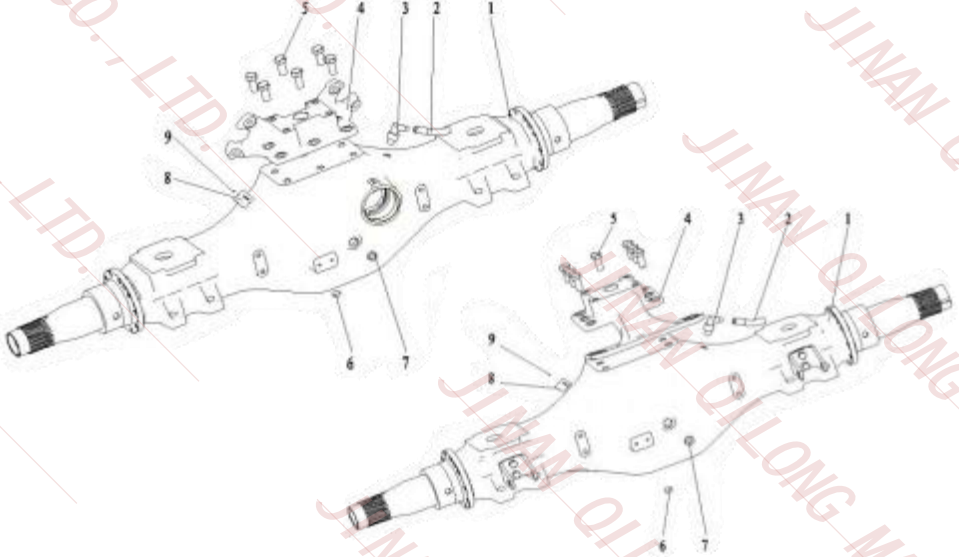

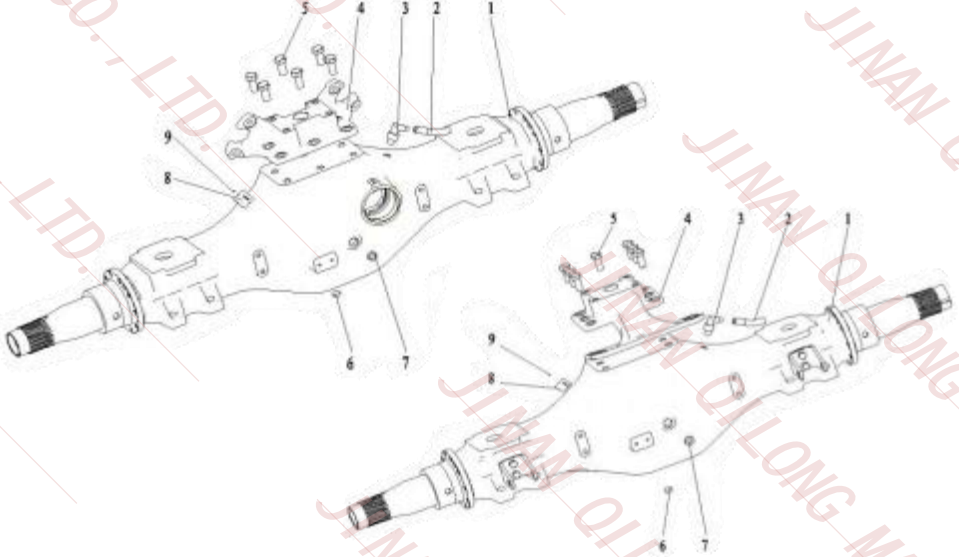













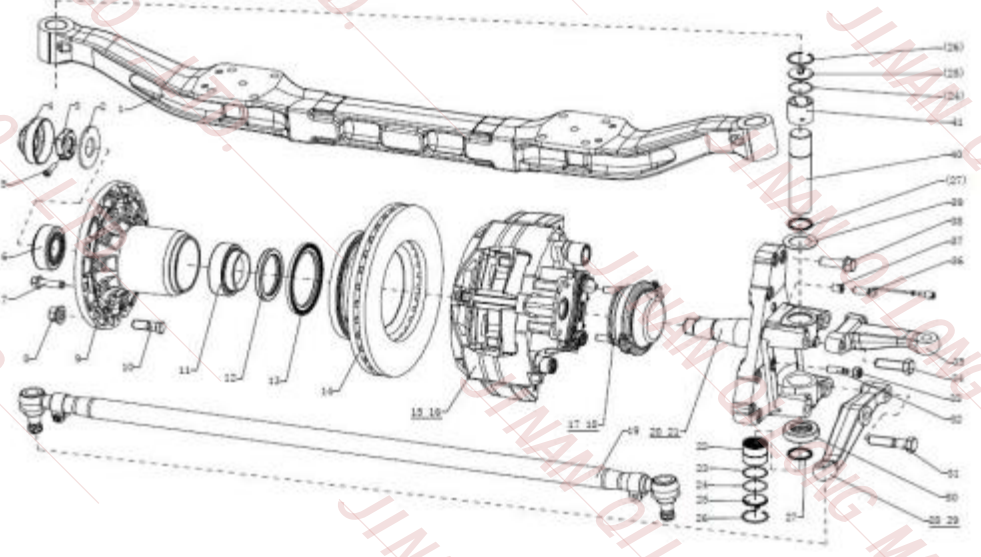








| AC16 bridge shell/rear axle housing | | NO.47 | | | | | | | | | | | | | | | | | | | | | | | | | | | | | |
|---|---|---|---|--------------|--------------|--------------|---------------------|--------------|--------------------------------------|--------------|---|------------|--------------|------------|---------|---|---|----------|--------------|--------------|-------|--------------|---------------------|--------------|--------------------------------------|----------|--|------------|------|-----|---------|
|  | | KD0897 | | | | | | | | | | | | | | | | | | | | | | | | | | | | | |
| | |  | <table border="1"> <tr><td>Part No.</td><td>AZ9981330065</td></tr> <tr><td>CH part name</td><td>后桥壳总成</td></tr> <tr><td>EN part name</td><td>Rear axle housing assy.</td></tr> <tr><td>RU part name</td><td>Картер заднего моста в сборе</td></tr> <tr><td>Size: mm</td><td>2100*415*260</td></tr> <tr><td>Weight: kg</td><td>235</td></tr> <tr><td>NO.</td><td>NO.47-1</td></tr> </table> | Part No. | AZ9981330065 | CH part name | 后桥壳总成 | EN part name | Rear axle housing assy. | RU part name | Картер заднего моста в сборе | Size: mm | 2100*415*260 | Weight: kg | 235 | NO. | NO.47-1 | | | | | | | | | | | | | | |
| Part No. | AZ9981330065 | | | | | | | | | | | | | | | | | | | | | | | | | | | | | | |
| CH part name | 后桥壳总成 | | | | | | | | | | | | | | | | | | | | | | | | | | | | | | |
| EN part name | Rear axle housing assy. | | | | | | | | | | | | | | | | | | | | | | | | | | | | | | |
| RU part name | Картер заднего моста в сборе | | | | | | | | | | | | | | | | | | | | | | | | | | | | | | |
| Size: mm | 2100*415*260 | | | | | | | | | | | | | | | | | | | | | | | | | | | | | | |
| Weight: kg | 235 | | | | | | | | | | | | | | | | | | | | | | | | | | | | | | |
| NO. | NO.47-1 | | | | | | | | | | | | | | | | | | | | | | | | | | | | | | |
| Remarks:HOWO AC16 | | | | | | | | | | | | | | | | | | | | | | | | | | | | | | | |
|  | | KD0898 | | | | | | | | | | | | | | | | | | | | | | | | | | | | | |
| | |  | <table border="1"> <tr><td>Part No.</td><td>WG9981340043</td></tr> <tr><td>CH part name</td><td>后气室支架</td></tr> <tr><td>EN part name</td><td>Brake cylinder bracket(rear axle)</td></tr> <tr><td>RU part name</td><td>К ронштейн V- образной тяги заднего моста</td></tr> <tr><td>Size: mm</td><td>365*165*190</td></tr> <tr><td>Weight: kg</td><td>13</td></tr> <tr><td>NO.</td><td>NO.47-4</td></tr> </table> | Part No. | WG9981340043 | CH part name | 后气室支架 | EN part name | Brake cylinder bracket(rear axle) | RU part name | К ронштейн V- образной тяги заднего моста | Size: mm | 365*165*190 | Weight: kg | 13 | NO. | NO.47-4 | | | | | | | | | | | | | | |
| Part No. | WG9981340043 | | | | | | | | | | | | | | | | | | | | | | | | | | | | | | |
| CH part name | 后气室支架 | | | | | | | | | | | | | | | | | | | | | | | | | | | | | | |
| EN part name | Brake cylinder bracket(rear axle) | | | | | | | | | | | | | | | | | | | | | | | | | | | | | | |
| RU part name | К ронштейн V- образной тяги заднего моста | | | | | | | | | | | | | | | | | | | | | | | | | | | | | | |
| Size: mm | 365*165*190 | | | | | | | | | | | | | | | | | | | | | | | | | | | | | | |
| Weight: kg | 13 | | | | | | | | | | | | | | | | | | | | | | | | | | | | | | |
| NO. | NO.47-4 | | | | | | | | | | | | | | | | | | | | | | | | | | | | | | |
| Remarks:HOWO AC16 | | | | | | | | | | | | | | | | | | | | | | | | | | | | | | | |
| KD0899 | | KD0900 | | | | | | | | | | | | | | | | | | | | | | | | | | | | | |
|  | <table border="1"> <tr><td>Part No.</td><td>AZ9981340070001</td></tr> <tr><td>CH part name</td><td>轮边总成</td></tr> <tr><td>EN part name</td><td>Planetary carrier</td></tr> <tr><td>RU part name</td><td>Корпус сателитов бортового редуктора</td></tr> <tr><td>Size: mm</td><td></td></tr> <tr><td>Weight: kg</td><td>32.7</td></tr> <tr><td>NO.</td><td>NO.48-3</td></tr> </table> | Part No. | AZ9981340070001 | CH part name | 轮边总成 | EN part name | Planetary carrier | RU part name | Корпус сателитов бортового редуктора | Size: mm | | Weight: kg | 32.7 | NO. | NO.48-3 |  | <table border="1"> <tr><td>Part No.</td><td>AZ9981340070</td></tr> <tr><td>CH part name</td><td>行星架总成</td></tr> <tr><td>EN part name</td><td>Planetary carrier</td></tr> <tr><td>RU part name</td><td>Корпус сателитов бортового редуктора</td></tr> <tr><td>Size: mm</td><td></td></tr> <tr><td>Weight: kg</td><td>29.5</td></tr> <tr><td>NO.</td><td>NO.48-3</td></tr> </table> | Part No. | AZ9981340070 | CH part name | 行星架总成 | EN part name | Planetary carrier | RU part name | Корпус сателитов бортового редуктора | Size: mm | | Weight: kg | 29.5 | NO. | NO.48-3 |
| Part No. | AZ9981340070001 | | | | | | | | | | | | | | | | | | | | | | | | | | | | | | |
| CH part name | 轮边总成 | | | | | | | | | | | | | | | | | | | | | | | | | | | | | | |
| EN part name | Planetary carrier | | | | | | | | | | | | | | | | | | | | | | | | | | | | | | |
| RU part name | Корпус сателитов бортового редуктора | | | | | | | | | | | | | | | | | | | | | | | | | | | | | | |
| Size: mm | | | | | | | | | | | | | | | | | | | | | | | | | | | | | | | |
| Weight: kg | 32.7 | | | | | | | | | | | | | | | | | | | | | | | | | | | | | | |
| NO. | NO.48-3 | | | | | | | | | | | | | | | | | | | | | | | | | | | | | | |
| Part No. | AZ9981340070 | | | | | | | | | | | | | | | | | | | | | | | | | | | | | | |
| CH part name | 行星架总成 | | | | | | | | | | | | | | | | | | | | | | | | | | | | | | |
| EN part name | Planetary carrier | | | | | | | | | | | | | | | | | | | | | | | | | | | | | | |
| RU part name | Корпус сателитов бортового редуктора | | | | | | | | | | | | | | | | | | | | | | | | | | | | | | |
| Size: mm | | | | | | | | | | | | | | | | | | | | | | | | | | | | | | | |
| Weight: kg | 29.5 | | | | | | | | | | | | | | | | | | | | | | | | | | | | | | |
| NO. | NO.48-3 | | | | | | | | | | | | | | | | | | | | | | | | | | | | | | |
| Remarks:HOWO AC16 | | Remarks:HOWO AC16 | | | | | | | | | | | | | | | | | | | | | | | | | | | | | |
| KD0901 | | KD0902 | | | | | | | | | | | | | | | | | | | | | | | | | | | | | |
|  | <table border="1"> <tr><td>Part No.</td><td>WG9981340054</td></tr> <tr><td>CH part name</td><td>行星轮轴</td></tr> <tr><td>EN part name</td><td>Planetary gear bolt</td></tr> <tr><td>RU part name</td><td>Валик сателлита</td></tr> <tr><td>Size: mm</td><td></td></tr> <tr><td>Weight: kg</td><td>0.45</td></tr> <tr><td>NO.</td><td>NO.48-4</td></tr> </table> | Part No. | WG9981340054 | CH part name | 行星轮轴 | EN part name | Planetary gear bolt | RU part name | Валик сателлита | Size: mm | | Weight: kg | 0.45 | NO. | NO.48-4 |  | <table border="1"> <tr><td>Part No.</td><td>WG9981340057</td></tr> <tr><td>CH part name</td><td>中间垫片</td></tr> <tr><td>EN part name</td><td>Intermediate gasket</td></tr> <tr><td>RU part name</td><td>промежуточный прокладка</td></tr> <tr><td>Size: mm</td><td></td></tr> <tr><td>Weight: kg</td><td>0.01</td></tr> <tr><td>NO.</td><td>NO.48-5</td></tr> </table> | Part No. | WG9981340057 | CH part name | 中间垫片 | EN part name | Intermediate gasket | RU part name | промежуточный прокладка | Size: mm | | Weight: kg | 0.01 | NO. | NO.48-5 |
| Part No. | WG9981340054 | | | | | | | | | | | | | | | | | | | | | | | | | | | | | | |
| CH part name | 行星轮轴 | | | | | | | | | | | | | | | | | | | | | | | | | | | | | | |
| EN part name | Planetary gear bolt | | | | | | | | | | | | | | | | | | | | | | | | | | | | | | |
| RU part name | Валик сателлита | | | | | | | | | | | | | | | | | | | | | | | | | | | | | | |
| Size: mm | | | | | | | | | | | | | | | | | | | | | | | | | | | | | | | |
| Weight: kg | 0.45 | | | | | | | | | | | | | | | | | | | | | | | | | | | | | | |
| NO. | NO.48-4 | | | | | | | | | | | | | | | | | | | | | | | | | | | | | | |
| Part No. | WG9981340057 | | | | | | | | | | | | | | | | | | | | | | | | | | | | | | |
| CH part name | 中间垫片 | | | | | | | | | | | | | | | | | | | | | | | | | | | | | | |
| EN part name | Intermediate gasket | | | | | | | | | | | | | | | | | | | | | | | | | | | | | | |
| RU part name | промежуточный прокладка | | | | | | | | | | | | | | | | | | | | | | | | | | | | | | |
| Size: mm | | | | | | | | | | | | | | | | | | | | | | | | | | | | | | | |
| Weight: kg | 0.01 | | | | | | | | | | | | | | | | | | | | | | | | | | | | | | |
| NO. | NO.48-5 | | | | | | | | | | | | | | | | | | | | | | | | | | | | | | |
| Remarks:HOWO AC16 AZ9981340054 | | Remarks:HOWO AC16 AZ9981340057 | | | | | | | | | | | | | | | | | | | | | | | | | | | | | |

| | | | | | |
|---|---|--|---|---|--|
|  | Part No. CH part name EN part name RU part name Size: mm Weight: kg NO. | AZ9112320143 后桥中段 Rear axle drive Редуктор заднего моста 450*450*550 110 NO.45 |  | Part No. CH part name EN part name RU part name Size: mm Weight: kg NO. | AZ9231330569 后桥壳总成 Rear axle housing assy. Картер заднего моста в сборе 2100*415*260 220 NO.45 |
| Remarks:HOWO I =5.73 I =4.8 | | | Remarks:HOWO AZ9231330161 | | |
|  | Part No. CH part name EN part name RU part name Size: mm Weight: kg NO. | 199012320098 后桥主减速器壳 Housing reducer differenhousing reducertial рычаг, астрид . 24.5 NO.45-1 |  | Part No. CH part name EN part name RU part name Size: mm Weight: kg NO. | WG9012320103 轴承座 Bearing seat Корпус подшипника 275*170 12.35 NO.45-2 |
| Remarks:HOWO 199012320097 | | | Remarks:HOWO 199012320103 | | |
|  | Part No. CH part name EN part name RU part name Size: mm Weight: kg NO. | WG9012320133 密封圈 Gasket прокладка 0.01 NO.45-3 |  | Part No. CH part name EN part name RU part name Size: mm Weight: kg NO. | WG9012320173-176 调整垫片 Adjusting shim корректировки прокладка 275*0.1 0.01 NO.45-3 |
| Remarks:HOWO 199012320133 | | | Remarks:HOWO 199012320173 | | |
|  | Part No. CH part name EN part name RU part name Size: mm Weight: kg NO. | AZ9231320273 差速器总成 Diff. assy. Дифференциал в сборе 250*250*250 23 NO.45-6 |  | Part No. CH part name EN part name RU part name Size: mm Weight: kg NO. | AZ9231320274 差速器壳 Diff. housing дифференциал 250*250*250 16.5 NO.45-6 |
| Remarks:HOWO 199012320198 | | | Remarks:HOWO 199012320198 | | |

| | | | | | |
|--|---|---|---|---|---|
|  | Part No. CH part name EN part name RU part name Size: mm Weight: kg NO. | AH71981540320 中桥总成 Bridge assembly мост Ассамблеи 1850 910 NO.47 |  | Part No. CH part name EN part name RU part name Size: mm Weight: kg NO. | KD0890 WG9100360303-XLB 后分室修理包 Brake cylinder repair kit Ремкомплект камеры тормозной задней 220*220*50 0.2 NO.46-30A |
| Remarks :HOWO AC16 | | | Remarks:HOWO AC16 | | |
|  | Part No. CH part name EN part name RU part name Size: mm Weight: kg NO. | WG9981340044 气室支架(中桥) Brake cylinder bracket(rear axle) К ронштейн V-образной тяги заднего моста 365*165*190 13 NO.47-4 |  | Part No. CH part name EN part name RU part name Size: mm Weight: kg NO. | KD0892 AZ9981330066 中桥壳总成 Middle axle housing средний оси, жилье 2100*415*260 272 NO.47-1 |
| Remarks:HOWO AC16 | | | Remarks:HOWO AC16 | | |
|  | Part No. CH part name EN part name RU part name Size: mm Weight: kg NO. | Q151B2045TF2 气室支架螺栓 Air chamber bracket bolt газовая камера болт кронштейн 0.03 NO.47-5 |  | Part No. CH part name EN part name RU part name Size: mm Weight: kg NO. | KD0894 WG9003960024 内六角锥形螺塞 Inner six angle cone plug шестиугольник коническая пробка DIN906- M24X1.5-st 0.02 NO.47-6 |
| Remarks:HOWO AC16 | | | Remarks: HOWO | | |
|  | Part No. CH part name EN part name RU part name Size: mm Weight: kg NO. | AH71981550110 后桥总成 Rear axle assy. Задний ведущий мост в сборе 1850 795 NO.47 |  | Part No. CH part name EN part name RU part name Size: mm Weight: kg NO. | KD0896 WG9003960004 内六角锥形螺塞 Inner six angle cone plug шестиугольник коническая пробка DIN906- M30X1.5-st 0.035 NO.47-7 |
| Remarks:HOWO AC16 | | | Remarks:HOWO AC16 | | |

| | | | |
|---|---|---|--|
|  | KD0759 Part No. AH71131540953 CH part name 三段式铸造中桥总成 EN part name First rear axle RU part name С рeдний вeдущий мост в сборе Size: mm 1850 Weight: kg 840 NO. NO.44 |  | KD0760 Part No. AZ9231330990 CH part name 三段式铸造中桥壳总成 EN part name First rear axle housing RU part name Картер среднего моста в сборе Size: mm 2100*415*260 Weight: kg 220 NO. NO.44-1 |
| Remarks:HOWO AH71131542971 I =4.8 | | Remarks:HOWO HC16 | |
|  | KD0761 Part No. WG9014320120 CH part name 主减速器壳 EN part name Housing of 1st rear axle drive RU part name Картер главной передачи Size: mm 450*375*280 Weight: kg 29.13 NO. NO.44-1 |  | KD0762 Part No. AZ9631320211 CH part name 中桥主减速器总成(28/17) EN part name Rear axle drive RU part name Редуктор среднего моста Size: mm 550*450*550 Weight: kg 150 NO. NO.44 |
| Remarks:HOWO 199014320120 | | Remarks:HOWO I =5.73 I =4.8 | |
|  | KD0763 Part No. AZ9231320259 CH part name 过桥箱 EN part name Housing RU part name Картер редуктора Size: mm 460*285*190 Weight: kg 34 NO. NO.44-19 |  | KD0764 Part No. 190003989290 CH part name 碗形堵塞 EN part name Croe plug RU part name пробка Size: mm Weight: kg 0.01 NO. NO.44-6 |
| Remarks: HOWO | | Remarks: HOWO | |
|  | KD0765 Part No. AZ9231320264 CH part name 过桥箱盖 EN part name Cross axle box cover RU part name К крышка картера редуктора Size: mm 460*180*125 Weight: kg 12.13 NO. NO.44-20 |  | KD0766 Part No. WG9231330105 CH part name 通气塞 EN part name Breather RU part name передышка Size: mm Weight: kg 0.01 NO. NO.44-7 |
| Remarks: HOWO | | Remarks: HOWO | |

| Front axle HR7/HR9 ABS | | NO.43 | | | | | | | | | | | | | | | | | | | | | | | | | | | | | | | |
|---|--------------------------------|--|--------------|--------------|-----------------|--|-------------------|--------------|-----------------------------|--------------|----------------------------|------------|------------|------------|----------|--|---------------|---|--------------|--------------|--------------|--------------|--------------------|--------------|---------------------------|--------------|--------------------------------|------------|------|------------|----------|-----|----------|
|  | |  | | | | | | | | | | | | | | | | | | | | | | | | | | | | | | | |
| | | <table border="1"> <tr><td>Part No.</td><td>WG9100411035</td></tr> <tr><td>CH part name</td><td>衬套</td></tr> <tr><td>EN part name</td><td>Bushing</td></tr> <tr><td>RU part name</td><td>питания</td></tr> <tr><td>Size: mm</td><td></td></tr> <tr><td>Weight: kg</td><td>0.05</td></tr> <tr><td>NO.</td><td>NO.43-22</td></tr> </table> | Part No. | WG9100411035 | CH part name | 衬套 | EN part name | Bushing | RU part name | питания | Size: mm | | Weight: kg | 0.05 | NO. | NO.43-22 | Remarks: HOWO | | | | | | | | | | | | | | | | |
| Part No. | WG9100411035 | | | | | | | | | | | | | | | | | | | | | | | | | | | | | | | | |
| CH part name | 衬套 | | | | | | | | | | | | | | | | | | | | | | | | | | | | | | | | |
| EN part name | Bushing | | | | | | | | | | | | | | | | | | | | | | | | | | | | | | | | |
| RU part name | питания | | | | | | | | | | | | | | | | | | | | | | | | | | | | | | | | |
| Size: mm | | | | | | | | | | | | | | | | | | | | | | | | | | | | | | | | | |
| Weight: kg | 0.05 | | | | | | | | | | | | | | | | | | | | | | | | | | | | | | | | |
| NO. | NO.43-22 | | | | | | | | | | | | | | | | | | | | | | | | | | | | | | | | |
|  | | <table border="1"> <tr><td>Part No.</td><td>AZ9100413045</td></tr> <tr><td>CH part name</td><td>转向节销</td></tr> <tr><td>EN part name</td><td>Knuckle pin</td></tr> <tr><td>RU part name</td><td></td></tr> <tr><td>Size: mm</td><td></td></tr> <tr><td>Weight: kg</td><td>2.45</td></tr> <tr><td>NO.</td><td>NO.43-40</td></tr> </table> | | Part No. | AZ9100413045 | CH part name | 转向节销 | EN part name | Knuckle pin | RU part name | | Size: mm | | Weight: kg | 2.45 | NO. | NO.43-40 | Remarks: HOWO | | | | | | | | | | | | | | | |
| | | Part No. | AZ9100413045 | | | | | | | | | | | | | | | | | | | | | | | | | | | | | | |
| CH part name | 转向节销 | | | | | | | | | | | | | | | | | | | | | | | | | | | | | | | | |
| EN part name | Knuckle pin | | | | | | | | | | | | | | | | | | | | | | | | | | | | | | | | |
| RU part name | | | | | | | | | | | | | | | | | | | | | | | | | | | | | | | | | |
| Size: mm | | | | | | | | | | | | | | | | | | | | | | | | | | | | | | | | | |
| Weight: kg | 2.45 | | | | | | | | | | | | | | | | | | | | | | | | | | | | | | | | |
| NO. | NO.43-40 | | | | | | | | | | | | | | | | | | | | | | | | | | | | | | | | |
| <table border="1"> <tr><td>KD0739</td><td></td><td></td><td></td></tr> </table> | | KD0739 | | | |  | | | | | | | | | | | | | | | | | | | | | | | | | | | |
| KD0739 | | | | | | | | | | | | | | | | | | | | | | | | | | | | | | | | | |
|  | | <table border="1"> <tr><td>Part No.</td><td>AZ9100413045XLB</td></tr> <tr><td>CH part name</td><td>转向节修理包</td></tr> <tr><td>EN part name</td><td>Steering knuckle repair kit</td></tr> <tr><td>RU part name</td><td>руководящий огузок аптечка</td></tr> <tr><td>Size: mm</td><td></td></tr> <tr><td>Weight: kg</td><td>7.5</td></tr> <tr><td>NO.</td><td>NO.43</td></tr> </table> | | Part No. | AZ9100413045XLB | CH part name | 转向节修理包 | EN part name | Steering knuckle repair kit | RU part name | руководящий огузок аптечка | Size: mm | | Weight: kg | 7.5 | NO. | NO.43 | <table border="1"> <tr><td>Part No.</td><td>WG9700411049</td></tr> <tr><td>CH part name</td><td>前轴推力轴承</td></tr> <tr><td>EN part name</td><td>Front axle thrust bearing</td></tr> <tr><td>RU part name</td><td>упорный подшипник передней оси</td></tr> <tr><td>Size: mm</td><td></td></tr> <tr><td>Weight: kg</td><td>0.22</td></tr> <tr><td>NO.</td><td>NO.43-30</td></tr> </table> | | Part No. | WG9700411049 | CH part name | 前轴推力轴承 | EN part name | Front axle thrust bearing | RU part name | упорный подшипник передней оси | Size: mm | | Weight: kg | 0.22 | NO. | NO.43-30 |
| Part No. | AZ9100413045XLB | | | | | | | | | | | | | | | | | | | | | | | | | | | | | | | | |
| CH part name | 转向节修理包 | | | | | | | | | | | | | | | | | | | | | | | | | | | | | | | | |
| EN part name | Steering knuckle repair kit | | | | | | | | | | | | | | | | | | | | | | | | | | | | | | | | |
| RU part name | руководящий огузок аптечка | | | | | | | | | | | | | | | | | | | | | | | | | | | | | | | | |
| Size: mm | | | | | | | | | | | | | | | | | | | | | | | | | | | | | | | | | |
| Weight: kg | 7.5 | | | | | | | | | | | | | | | | | | | | | | | | | | | | | | | | |
| NO. | NO.43 | | | | | | | | | | | | | | | | | | | | | | | | | | | | | | | | |
| Part No. | WG9700411049 | | | | | | | | | | | | | | | | | | | | | | | | | | | | | | | | |
| CH part name | 前轴推力轴承 | | | | | | | | | | | | | | | | | | | | | | | | | | | | | | | | |
| EN part name | Front axle thrust bearing | | | | | | | | | | | | | | | | | | | | | | | | | | | | | | | | |
| RU part name | упорный подшипник передней оси | | | | | | | | | | | | | | | | | | | | | | | | | | | | | | | | |
| Size: mm | | | | | | | | | | | | | | | | | | | | | | | | | | | | | | | | | |
| Weight: kg | 0.22 | | | | | | | | | | | | | | | | | | | | | | | | | | | | | | | | |
| NO. | NO.43-30 | | | | | | | | | | | | | | | | | | | | | | | | | | | | | | | | |
| Remarks: HOWO | | Remarks: HOWO | | | | | | | | | | | | | | | | | | | | | | | | | | | | | | | |
| <table border="1"> <tr><td>KD0741</td><td></td><td></td><td></td></tr> </table> | | KD0741 | | | | <table border="1"> <tr><td>KD0742</td><td></td><td></td><td></td></tr> </table> | | KD0742 | | | | | | | | | | | | | | | | | | | | | | | | | |
| KD0741 | | | | | | | | | | | | | | | | | | | | | | | | | | | | | | | | | |
| KD0742 | | | | | | | | | | | | | | | | | | | | | | | | | | | | | | | | | |
|  | |  | | | | | | | | | | | | | | | | | | | | | | | | | | | | | | | |
| <table border="1"> <tr><td>Part No.</td><td>AZ9719413003</td></tr> <tr><td>CH part name</td><td>转向横拉杆臂(左)</td></tr> <tr><td>EN part name</td><td>Tie rod arm(left)</td></tr> <tr><td>RU part name</td><td>галстук род ARM (слева)</td></tr> <tr><td>Size: mm</td><td></td></tr> <tr><td>Weight: kg</td><td>3.95</td></tr> <tr><td>NO.</td><td>NO.43-28</td></tr> </table> | | Part No. | AZ9719413003 | CH part name | 转向横拉杆臂(左) | EN part name | Tie rod arm(left) | RU part name | галстук род ARM (слева) | Size: mm | | Weight: kg | 3.95 | NO. | NO.43-28 | <table border="1"> <tr><td>Part No.</td><td>AZ9719413004</td></tr> <tr><td>CH part name</td><td>转向横拉杆臂(右)</td></tr> <tr><td>EN part name</td><td>Tie rod arm(right)</td></tr> <tr><td>RU part name</td><td>галстук род руку (справа)</td></tr> <tr><td>Size: mm</td><td></td></tr> <tr><td>Weight: kg</td><td>3.95</td></tr> <tr><td>NO.</td><td>NO.43-29</td></tr> </table> | | Part No. | AZ9719413004 | CH part name | 转向横拉杆臂(右) | EN part name | Tie rod arm(right) | RU part name | галстук род руку (справа) | Size: mm | | Weight: kg | 3.95 | NO. | NO.43-29 | | |
| Part No. | AZ9719413003 | | | | | | | | | | | | | | | | | | | | | | | | | | | | | | | | |
| CH part name | 转向横拉杆臂(左) | | | | | | | | | | | | | | | | | | | | | | | | | | | | | | | | |
| EN part name | Tie rod arm(left) | | | | | | | | | | | | | | | | | | | | | | | | | | | | | | | | |
| RU part name | галстук род ARM (слева) | | | | | | | | | | | | | | | | | | | | | | | | | | | | | | | | |
| Size: mm | | | | | | | | | | | | | | | | | | | | | | | | | | | | | | | | | |
| Weight: kg | 3.95 | | | | | | | | | | | | | | | | | | | | | | | | | | | | | | | | |
| NO. | NO.43-28 | | | | | | | | | | | | | | | | | | | | | | | | | | | | | | | | |
| Part No. | AZ9719413004 | | | | | | | | | | | | | | | | | | | | | | | | | | | | | | | | |
| CH part name | 转向横拉杆臂(右) | | | | | | | | | | | | | | | | | | | | | | | | | | | | | | | | |
| EN part name | Tie rod arm(right) | | | | | | | | | | | | | | | | | | | | | | | | | | | | | | | | |
| RU part name | галстук род руку (справа) | | | | | | | | | | | | | | | | | | | | | | | | | | | | | | | | |
| Size: mm | | | | | | | | | | | | | | | | | | | | | | | | | | | | | | | | | |
| Weight: kg | 3.95 | | | | | | | | | | | | | | | | | | | | | | | | | | | | | | | | |
| NO. | NO.43-29 | | | | | | | | | | | | | | | | | | | | | | | | | | | | | | | | |
| Remarks: HOWO | | Remarks: HOWO | | | | | | | | | | | | | | | | | | | | | | | | | | | | | | | |

| | | | | | |
|--|---|---|---|---|---|
|  | Part No. CH part name EN part name RU part name Size: mm Weight: kg NO. | 190003326443 轮毂内轴承 Row tapered roller bearing конические роликовые подшипники 5.6 NO.42-33 |  | Part No. CH part name EN part name RU part name Size: mm Weight: kg NO. | 190003326445 轮毂外轴承 Row tapered roller bearing конические роликовые подшипники 6.3 NO.42-37 |
| Remarks:HOWO 32020GB / T297—94 | | | Remarks:HOWO 32022GB / T297—94 | | |
|  | Part No. CH part name EN part name RU part name Size: mm Weight: kg NO. | 199112340021 齿圈支架 Gear ring bearer передача кольца 300*300*130 4 NO.42-40 |  | Part No. CH part name EN part name RU part name Size: mm Weight: kg NO. | 199000420049 内齿圈 Inside gear ring в передаче кольцо 4 NO.42-39 |
| Remarks:HOWO 4*4 8*4 | | | Remarks:HOWO 4*4 8*4 Z =57 | | |
|  | Part No. CH part name EN part name RU part name Size: mm Weight: kg NO. | 199112340001 端盖 Cover К крышка планетпрного потрона 235*20 2.6 NO.42-43 |  | Part No. CH part name EN part name RU part name Size: mm Weight: kg NO. | AH40HY092.S1100 盘式前桥 Disc front axle дисковый передней оси 185 NO.43 |
| Remarks: HOWO | | | Remarks:HOWO 7.5t 9.5t | | |
|  | Part No. CH part name EN part name RU part name Size: mm Weight: kg NO. | AZ9100413007 前轴 9t Front axle передняя ось 850 30 NO.43-1 |  | Part No. CH part name EN part name RU part name Size: mm Weight: kg NO. | AZ9900410083 前轴 7t Front axle передняя ось 850 30 NO.43-1 |
| Remarks:HOWO AZ9719410092(Leaf spring spacing 900) | | | Remarks:HOWO AZ9719410090(Leaf spring spacing 900) | | |

| | | | | | |
|---|---|---|---|---|---|
|  | Part No. CH part name EN part name RU part name Size: mm Weight: kg NO. | AZ9981320235 后桥中段 I =5.45,Φ165 In the middle of the bridge В середине моста 450*450*550 115 NO.50 |  | Part No. CH part name EN part name RU part name Size: mm Weight: kg NO. | AZ9981320171 后桥主减壳 Housing reducer differenhousing reducertial рычаг, астрид. 25 NO.50-1 |
| Remarks:HOWO AC16 AZ9981320231 i =6.5,φ 165 | | | Remarks:HOWO AC16 | | |
|  | Part No. CH part name EN part name RU part name Size: mm Weight: kg NO. | AZ9981320035 后桥轴承盖 Bearing seat Ступица передняя 365*365*230 30 NO.50-2 |  | Part No. CH part name EN part name RU part name Size: mm Weight: kg NO. | WG9231320913 后桥锥齿轮付 (28/17) Passive taper gear пассивный сосуду лова 300*310*250 30 NO.50-16-17 |
| Remarks:HOWO AC16 | | | Remarks:HOWO AC16 | | |
|  | Part No. CH part name EN part name RU part name Size: mm Weight: kg NO. | AZ9981320037 挡油盘 Oil flake нефть чешуйчатый 0.06 NO.50-40 |  | Part No. CH part name EN part name RU part name Size: mm Weight: kg NO. | WG998132315B 盆角齿内轴承 Bearing Подшипник 140*80*35 4.3 NO.50-41 |
| Remarks:HOWO AC16 | | | Remarks:HOWO AC16 | | |
|  | Part No. CH part name EN part name RU part name Size: mm Weight: kg NO. | AZ9981320038 后盆角齿隔套 Space bush пространство буша 0.35 NO.50-43 |  | Part No. CH part name EN part name RU part name Size: mm Weight: kg NO. | WG9981031313 盆角齿外轴承 Row-steep roller bearing31313 ряд bearing31313 крутых каток 140*65 3.5 NO.50-42 |
| Remarks:HOWO AC16 | | | Remarks:HOWO AC16 | | |

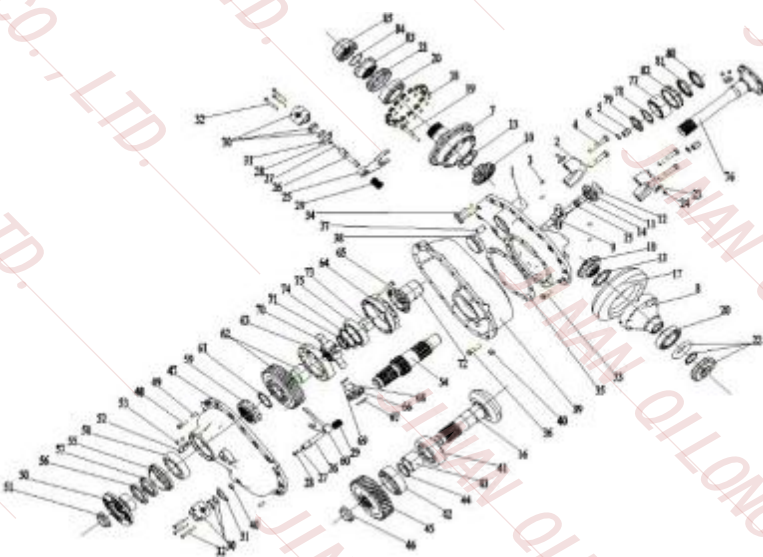






| | | | | | |
|---|---|--|---|---|--|
|  | Part No. CH part name EN part name RU part name Size: mm Weight: kg NO. | KD0971 WG9231326212 贯通轴轴承 Gear передача 0.78 NO.49-77 |  | Part No. CH part name EN part name RU part name Size: mm Weight: kg NO. | KD0972 WG9981320147 贯通轴 Perforation shaft П роходной вал 10.05 NO.49-76 |
| Remarks:HOWO AC16 | | | Remarks:HOWO AC16 | | |
|  | Part No. CH part name EN part name RU part name Size: mm Weight: kg NO. | KD0973 WG9981320148 锁紧垫片 Locking shim запирающий прокладка 0.01 NO.49-78 |  | Part No. CH part name EN part name RU part name Size: mm Weight: kg NO. | KD0974 WG9981320149 锁紧螺母 Lock nut запирающий гайка 0.11 NO.49-79 |
| Remarks:HOWO AC16 | | | Remarks:HOWO AC16 | | |
|  | Part No. CH part name EN part name RU part name Size: mm Weight: kg NO. | KD0975 WG9981320162 贯通轴油封 Grease packing сальник 0.3 NO.49-80-81 |  | Part No. CH part name EN part name RU part name Size: mm Weight: kg NO. | KD0976 WG9981320163 调整螺母 Adjusting nut регулирующая гайка 0.75 NO.49-82 |
| Remarks:HOWO AC16 WG9981320161 | | | Remarks:HOWO AC16 AZ9981320163 | | |
|  | Part No. CH part name EN part name RU part name Size: mm Weight: kg NO. | KD0978 AZ9981320071 固定齿合套 Fixed engage cowl Неподвижная зубчатая муфта 1.02 NO.49-83 |  | Part No. CH part name EN part name RU part name Size: mm Weight: kg NO. | KD0979 AZ9981320072 滑动齿合套 Sliding engage cowl Подвижная зубчатая муфта 120*120*60 1.65 NO.49-85 |
| Remarks:HOWO AC16 | | | Remarks:HOWO AC16 | | |

| | | | | | | | | | | | | | | | | | | | | | | | | | | | | | | | |
|---|---|---|--------------|--------------|------------|--------------|-------------------------|--------------|-------------------------------|----------|-------------|------------|------|-----|----------|---|--|----------|--------------|--------------|-----------|--------------|------------------------|--------------|------------------------|----------|--|------------|-------|-----|----------|
|  | <table border="1"> <tr><td>Part No.</td><td>AZ9231320221</td></tr> <tr><td>CH part name</td><td>轴间差速器十字轴衬套</td></tr> <tr><td>EN part name</td><td>Camshaft bush</td></tr> <tr><td>RU part name</td><td>Втулка тормозного вала задняя</td></tr> <tr><td>Size: mm</td><td></td></tr> <tr><td>Weight: kg</td><td>0.04</td></tr> <tr><td>NO.</td><td>NO.49-68</td></tr> </table> | Part No. | AZ9231320221 | CH part name | 轴间差速器十字轴衬套 | EN part name | Camshaft bush | RU part name | Втулка тормозного вала задняя | Size: mm | | Weight: kg | 0.04 | NO. | NO.49-68 |  | <table border="1"> <tr><td>Part No.</td><td>WG9231320227</td></tr> <tr><td>CH part name</td><td>行星齿轮</td></tr> <tr><td>EN part name</td><td>Planet gear</td></tr> <tr><td>RU part name</td><td>Сателлиты</td></tr> <tr><td>Size: mm</td><td></td></tr> <tr><td>Weight: kg</td><td>0.7</td></tr> <tr><td>NO.</td><td>NO.49-66</td></tr> </table> | Part No. | WG9231320227 | CH part name | 行星齿轮 | EN part name | Planet gear | RU part name | Сателлиты | Size: mm | | Weight: kg | 0.7 | NO. | NO.49-66 |
| Part No. | AZ9231320221 | | | | | | | | | | | | | | | | | | | | | | | | | | | | | | |
| CH part name | 轴间差速器十字轴衬套 | | | | | | | | | | | | | | | | | | | | | | | | | | | | | | |
| EN part name | Camshaft bush | | | | | | | | | | | | | | | | | | | | | | | | | | | | | | |
| RU part name | Втулка тормозного вала задняя | | | | | | | | | | | | | | | | | | | | | | | | | | | | | | |
| Size: mm | | | | | | | | | | | | | | | | | | | | | | | | | | | | | | | |
| Weight: kg | 0.04 | | | | | | | | | | | | | | | | | | | | | | | | | | | | | | |
| NO. | NO.49-68 | | | | | | | | | | | | | | | | | | | | | | | | | | | | | | |
| Part No. | WG9231320227 | | | | | | | | | | | | | | | | | | | | | | | | | | | | | | |
| CH part name | 行星齿轮 | | | | | | | | | | | | | | | | | | | | | | | | | | | | | | |
| EN part name | Planet gear | | | | | | | | | | | | | | | | | | | | | | | | | | | | | | |
| RU part name | Сателлиты | | | | | | | | | | | | | | | | | | | | | | | | | | | | | | |
| Size: mm | | | | | | | | | | | | | | | | | | | | | | | | | | | | | | | |
| Weight: kg | 0.7 | | | | | | | | | | | | | | | | | | | | | | | | | | | | | | |
| NO. | NO.49-66 | | | | | | | | | | | | | | | | | | | | | | | | | | | | | | |
| Remarks:HOWO AC16 | | Remarks:HOWO AC16 AZ9231320227 | | | | | | | | | | | | | | | | | | | | | | | | | | | | | |
|  | <table border="1"> <tr><td>Part No.</td><td>WG9981320139</td></tr> <tr><td>CH part name</td><td>轴间差速器十字轴</td></tr> <tr><td>EN part name</td><td>Cross axle</td></tr> <tr><td>RU part name</td><td>К рестовина</td></tr> <tr><td>Size: mm</td><td>185*185*27</td></tr> <tr><td>Weight: kg</td><td>2.15</td></tr> <tr><td>NO.</td><td>NO.49-70</td></tr> </table> | Part No. | WG9981320139 | CH part name | 轴间差速器十字轴 | EN part name | Cross axle | RU part name | К рестовина | Size: mm | 185*185*27 | Weight: kg | 2.15 | NO. | NO.49-70 |  | <table border="1"> <tr><td>Part No.</td><td>WG9981320133</td></tr> <tr><td>CH part name</td><td>锁紧螺母</td></tr> <tr><td>EN part name</td><td>Adjusting nut</td></tr> <tr><td>RU part name</td><td>запирающий гайка</td></tr> <tr><td>Size: mm</td><td></td></tr> <tr><td>Weight: kg</td><td>0.115</td></tr> <tr><td>NO.</td><td>NO.49-71</td></tr> </table> | Part No. | WG9981320133 | CH part name | 锁紧螺母 | EN part name | Adjusting nut | RU part name | запирающий гайка | Size: mm | | Weight: kg | 0.115 | NO. | NO.49-71 |
| Part No. | WG9981320139 | | | | | | | | | | | | | | | | | | | | | | | | | | | | | | |
| CH part name | 轴间差速器十字轴 | | | | | | | | | | | | | | | | | | | | | | | | | | | | | | |
| EN part name | Cross axle | | | | | | | | | | | | | | | | | | | | | | | | | | | | | | |
| RU part name | К рестовина | | | | | | | | | | | | | | | | | | | | | | | | | | | | | | |
| Size: mm | 185*185*27 | | | | | | | | | | | | | | | | | | | | | | | | | | | | | | |
| Weight: kg | 2.15 | | | | | | | | | | | | | | | | | | | | | | | | | | | | | | |
| NO. | NO.49-70 | | | | | | | | | | | | | | | | | | | | | | | | | | | | | | |
| Part No. | WG9981320133 | | | | | | | | | | | | | | | | | | | | | | | | | | | | | | |
| CH part name | 锁紧螺母 | | | | | | | | | | | | | | | | | | | | | | | | | | | | | | |
| EN part name | Adjusting nut | | | | | | | | | | | | | | | | | | | | | | | | | | | | | | |
| RU part name | запирающий гайка | | | | | | | | | | | | | | | | | | | | | | | | | | | | | | |
| Size: mm | | | | | | | | | | | | | | | | | | | | | | | | | | | | | | | |
| Weight: kg | 0.115 | | | | | | | | | | | | | | | | | | | | | | | | | | | | | | |
| NO. | NO.49-71 | | | | | | | | | | | | | | | | | | | | | | | | | | | | | | |
| Remarks:HOWO AC16 AZ9981320139 | | Remarks:HOWO AC16 | | | | | | | | | | | | | | | | | | | | | | | | | | | | | |
|  | <table border="1"> <tr><td>Part No.</td><td>WG9981320166</td></tr> <tr><td>CH part name</td><td>后半轴齿轮总成</td></tr> <tr><td>EN part name</td><td>Drive shaft gear (rear)</td></tr> <tr><td>RU part name</td><td>Шестерня полуоси задняя</td></tr> <tr><td>Size: mm</td><td>170*120*120</td></tr> <tr><td>Weight: kg</td><td>1.2</td></tr> <tr><td>NO.</td><td>NO.49-72</td></tr> </table> | Part No. | WG9981320166 | CH part name | 后半轴齿轮总成 | EN part name | Drive shaft gear (rear) | RU part name | Шестерня полуоси задняя | Size: mm | 170*120*120 | Weight: kg | 1.2 | NO. | NO.49-72 |  | <table border="1"> <tr><td>Part No.</td><td>WG9981320167</td></tr> <tr><td>CH part name</td><td>后半轴齿轮衬套</td></tr> <tr><td>EN part name</td><td>Bush</td></tr> <tr><td>RU part name</td><td>втулка шестерни</td></tr> <tr><td>Size: mm</td><td></td></tr> <tr><td>Weight: kg</td><td>0.03</td></tr> <tr><td>NO.</td><td>NO.49-73</td></tr> </table> | Part No. | WG9981320167 | CH part name | 后半轴齿轮衬套 | EN part name | Bush | RU part name | втулка шестерни | Size: mm | | Weight: kg | 0.03 | NO. | NO.49-73 |
| Part No. | WG9981320166 | | | | | | | | | | | | | | | | | | | | | | | | | | | | | | |
| CH part name | 后半轴齿轮总成 | | | | | | | | | | | | | | | | | | | | | | | | | | | | | | |
| EN part name | Drive shaft gear (rear) | | | | | | | | | | | | | | | | | | | | | | | | | | | | | | |
| RU part name | Шестерня полуоси задняя | | | | | | | | | | | | | | | | | | | | | | | | | | | | | | |
| Size: mm | 170*120*120 | | | | | | | | | | | | | | | | | | | | | | | | | | | | | | |
| Weight: kg | 1.2 | | | | | | | | | | | | | | | | | | | | | | | | | | | | | | |
| NO. | NO.49-72 | | | | | | | | | | | | | | | | | | | | | | | | | | | | | | |
| Part No. | WG9981320167 | | | | | | | | | | | | | | | | | | | | | | | | | | | | | | |
| CH part name | 后半轴齿轮衬套 | | | | | | | | | | | | | | | | | | | | | | | | | | | | | | |
| EN part name | Bush | | | | | | | | | | | | | | | | | | | | | | | | | | | | | | |
| RU part name | втулка шестерни | | | | | | | | | | | | | | | | | | | | | | | | | | | | | | |
| Size: mm | | | | | | | | | | | | | | | | | | | | | | | | | | | | | | | |
| Weight: kg | 0.03 | | | | | | | | | | | | | | | | | | | | | | | | | | | | | | |
| NO. | NO.49-73 | | | | | | | | | | | | | | | | | | | | | | | | | | | | | | |
| Remarks:HOWO AC16 | | Remarks:HOWO AC16 | | | | | | | | | | | | | | | | | | | | | | | | | | | | | |
|  | <table border="1"> <tr><td>Part No.</td><td>6216</td></tr> <tr><td>CH part name</td><td>主轴内轴承</td></tr> <tr><td>EN part name</td><td>Bearing</td></tr> <tr><td>RU part name</td><td>Подшипник</td></tr> <tr><td>Size: mm</td><td>80*140*26</td></tr> <tr><td>Weight: kg</td><td>1.65</td></tr> <tr><td>NO.</td><td>NO.49-75</td></tr> </table> | Part No. | 6216 | CH part name | 主轴内轴承 | EN part name | Bearing | RU part name | Подшипник | Size: mm | 80*140*26 | Weight: kg | 1.65 | NO. | NO.49-75 |  | <table border="1"> <tr><td>Part No.</td><td>WG9981320141</td></tr> <tr><td>CH part name</td><td>轴间半轴齿轮后垫片</td></tr> <tr><td>EN part name</td><td>Axle shaft gear washer</td></tr> <tr><td>RU part name</td><td>Шайба шестерни полуоси</td></tr> <tr><td>Size: mm</td><td></td></tr> <tr><td>Weight: kg</td><td>0.1</td></tr> <tr><td>NO.</td><td>NO.49-74</td></tr> </table> | Part No. | WG9981320141 | CH part name | 轴间半轴齿轮后垫片 | EN part name | Axle shaft gear washer | RU part name | Шайба шестерни полуоси | Size: mm | | Weight: kg | 0.1 | NO. | NO.49-74 |
| Part No. | 6216 | | | | | | | | | | | | | | | | | | | | | | | | | | | | | | |
| CH part name | 主轴内轴承 | | | | | | | | | | | | | | | | | | | | | | | | | | | | | | |
| EN part name | Bearing | | | | | | | | | | | | | | | | | | | | | | | | | | | | | | |
| RU part name | Подшипник | | | | | | | | | | | | | | | | | | | | | | | | | | | | | | |
| Size: mm | 80*140*26 | | | | | | | | | | | | | | | | | | | | | | | | | | | | | | |
| Weight: kg | 1.65 | | | | | | | | | | | | | | | | | | | | | | | | | | | | | | |
| NO. | NO.49-75 | | | | | | | | | | | | | | | | | | | | | | | | | | | | | | |
| Part No. | WG9981320141 | | | | | | | | | | | | | | | | | | | | | | | | | | | | | | |
| CH part name | 轴间半轴齿轮后垫片 | | | | | | | | | | | | | | | | | | | | | | | | | | | | | | |
| EN part name | Axle shaft gear washer | | | | | | | | | | | | | | | | | | | | | | | | | | | | | | |
| RU part name | Шайба шестерни полуоси | | | | | | | | | | | | | | | | | | | | | | | | | | | | | | |
| Size: mm | | | | | | | | | | | | | | | | | | | | | | | | | | | | | | | |
| Weight: kg | 0.1 | | | | | | | | | | | | | | | | | | | | | | | | | | | | | | |
| NO. | NO.49-74 | | | | | | | | | | | | | | | | | | | | | | | | | | | | | | |
| Remarks:HOWO AC16 | | Remarks:HOWO AC16 AZ9981320145 AZ9981320141 | | | | | | | | | | | | | | | | | | | | | | | | | | | | | |








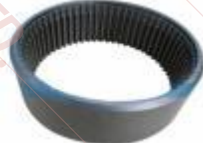
| | | | | | |
|---|---|--|---|---|---|
|  | Part No. CH part name EN part name RU part name Size: mm Weight: kg NO. | AZ9981320105 输入轴 Master axle господин ось 9.9 NO.49-54 |  | Part No. CH part name EN part name RU part name Size: mm Weight: kg NO. | AZ9981320120 调整螺母 Adjusting nut корректировка ореха 0.85 NO.49-55 |
| Remarks:HOWO AC16 | | | Remarks:HOWO AC16 | | |
|  | Part No. CH part name EN part name RU part name Size: mm Weight: kg NO. | WG9981320123 过桥箱盖油封 Oil seal Сальник хвостовика 105*105*8 0.25 NO.49-56-57 |  | Part No. CH part name EN part name RU part name Size: mm Weight: kg NO. | 6313 过桥箱盖轴承 Row- steep roller bearing Подшипник 65*140*33 3.4 NO.49-58 |
| Remarks:HOWO AC16 WG9981320124 | | | Remarks:HOWO AC16 | | |
|  | Part No. CH part name EN part name RU part name Size: mm Weight: kg NO. | AZ9981320126 主轴滑动齿合套 Shift sleeve сдвиг в рукаве 1.06 NO.49-59 |  | Part No. CH part name EN part name RU part name Size: mm Weight: kg NO. | WG9981320127 主轴滑动齿合套拨叉 Selector fork Вилка 0.65 NO.49-60 |
| Remarks:HOWO AC16 | | | Remarks:HOWO AC16 | | |
|  | Part No. CH part name EN part name RU part name Size: mm Weight: kg NO. | AZ9981320211 调整垫片 Washer шайба 0.38 NO.49-61 |  | Part No. CH part name EN part name RU part name Size: mm Weight: kg NO. | AZ9981320130 主动圆柱齿轮总成 Passive column gear Ведомая шестерня 205*205*45 11.7 NO.49-62 |
| Remarks:HOWO AC16 | | | Remarks:HOWO AC16 | | |

| | | | | | |
|---|---|--|---|---|---|
|  | Part No. CH part name EN part name RU part name Size: mm Weight: kg NO. | WG9981320076 气缸 Shift cylinder переход цилиндра 0.3 NO.49-30 |  | Part No. CH part name EN part name RU part name Size: mm Weight: kg NO. | KG998132315B 盆角齿轴承 Row-steep roller bearing Подшипник 3.5 NO.49-41 |
| Remarks:HOWO AC16 | | | Remarks:HOWO AC16 32315B | | |
|  | Part No. CH part name EN part name RU part name Size: mm Weight: kg NO. | AZ9981320091 隔套 Space bush пространство буша 0.3 NO.49-43 |  | Part No. CH part name EN part name RU part name Size: mm Weight: kg NO. | KG9981032313 盆角齿轴承 Row-steep roller bearing Подшипник 3.5 NO.49-42 |
| Remarks:HOWO AC16 | | | Remarks:HOWO AC16 32313 | | |
|  | Part No. CH part name EN part name RU part name Size: mm Weight: kg NO. | AZ9981320107 从动圆柱齿轮 Passive column gear Ведомая шестерня 190*190*45 9.5 NO.49-45 |  | Part No. CH part name EN part name RU part name Size: mm Weight: kg NO. | AZ9981320182 盆角齿调整垫片 Adjusting washer корректировки машины 0.02 NO.49-44 |
| Remarks:HOWO AC16 | | | Remarks:HOWO AC16 AZ9981320183/84/85/86/87/88/89/90/91/92/93/94.95.96.97 | | |
|  | Part No. CH part name EN part name RU part name Size: mm Weight: kg NO. | AZ9981320106 锁紧螺母 Locknut Фланцевая гайка 0.225 NO.49-46-51 |  | Part No. CH part name EN part name RU part name Size: mm Weight: kg NO. | AZ9981320110 输入法兰总成 Plain flange Фланец 180*180*85 3 NO.49-50 |
| Remarks:HOWO AC16 | | | Remarks:HOWO AC16 | | |

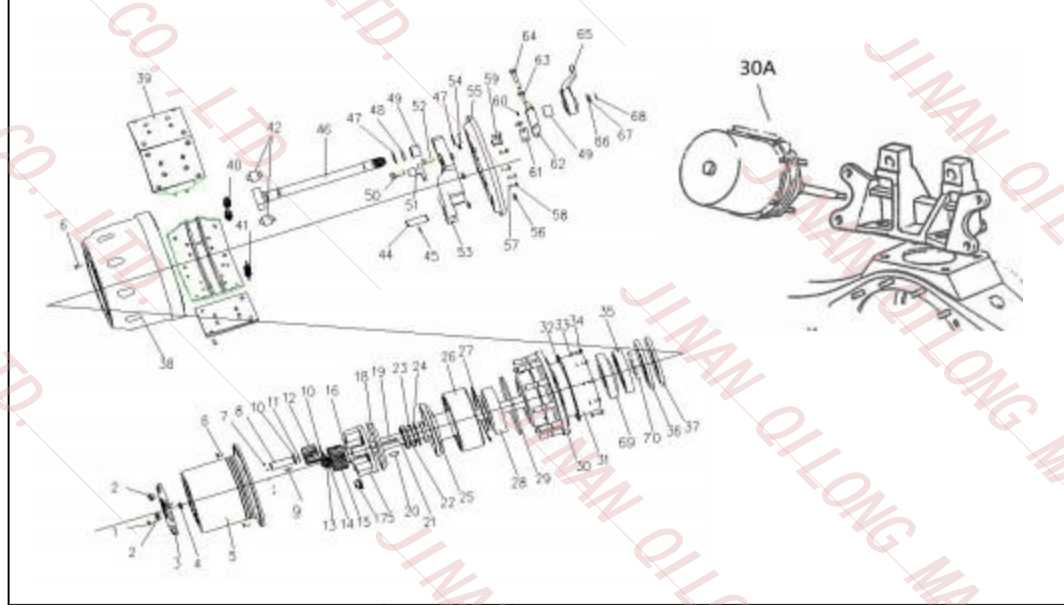
| | | | | | |
|---|---|--|---|---|---|
|  | Part No. CH part name EN part name RU part name Size: mm Weight: kg NO. | AZ9231320153 行星齿轮垫片 Planet gear washer Шайба сателлита 80*80*1 0.01 NO.49-12 |  | Part No. CH part name EN part name RU part name Size: mm Weight: kg NO. | AZ9981320040 半轴齿轮 Drive shaft gear Шестерня полуоси 120*120*50 1.12 NO.49-10 |
| Remarks:HOWO AC16 | | | Remarks:HOWO AC16 | | |
|  | Part No. CH part name EN part name RU part name Size: mm Weight: kg NO. | AZ9231320159 差速器十字轴衬套 Camshaft bush Втулка тормозного вала задняя 0.04 NO.49-14 |  | Part No. CH part name EN part name RU part name Size: mm Weight: kg NO. | AZ9981320201 半轴齿轮垫片 Axle shaft gear washer Шайба шестерни полуоси 0.02 NO.49-13 |
| Remarks:HOWO AC16 | | | Remarks:HOWO AC16 AZ9981320202-03-04-05 | | |
|  | Part No. CH part name EN part name RU part name Size: mm Weight: kg NO. | WG9231320160 十字轴衬套挡圈 Washer шайба 0.02 NO.49-15 |  | Part No. CH part name EN part name RU part name Size: mm Weight: kg NO. | AZ9981320152 中桥锥齿轮付总成(29/21 I =5.45) Passive taper gear пассивный сосуду лова 300*310*25 30 NO.49-16-17 |
| Remarks:HOWO AC16 | | | Remarks:HOWO AC16 AZ9981320153 (I =6.5 , 28/17) | | |
|  | Part No. CH part name EN part name RU part name Size: mm Weight: kg NO. | WG9981033115 差速器轴承 Bearing Подшипник 3.8 NO.49-20 |  | Part No. CH part name EN part name RU part name Size: mm Weight: kg NO. | WG9981320073 差速器拨叉 Selector fork Вилка 115*95*32 0.717 NO.49-25 |
| Remarks:HOWO AC16 | | | Remarks:HOWO AC16 AZ9981320073 | | |


| Main reducer Bridge | | NO.49 | |
|---|---|----------------------|----------------------|
|  | KD0933 | | |
| |  | Part No. | AZ9981320136-1 |
| | | CH part name | 轴间差速器总成 |
| | | EN part name | Diff. assy. |
| | | RU part name | Дифференциал в сборе |
| | | Size: mm | |
| | | Weight: kg | 38.65 |
| | NO. | NO.49-63-64-62 | |
| | Remarks:HOWO AC16 | | |
| | KD0934 | | |
|  | Part No. | AZ9981320020-1 | |
| | CH part name | 差速器总成 | |
| | EN part name | Diff. assy. | |
| | RU part name | Дифференциал в сборе | |
| | Size: mm | 265*255*255 | |
| | Weight: kg | 30 | |
| NO. | NO.49-7-8 | | |
| Remarks:HOWO AC16 I=5.45 I=6.5 AZ9981320021 | | | |
| KD0935 | | | |
|  | Part No. | AZ9981320136 | |
| | CH part name | 轴间差速器壳总成 | |
| | EN part name | Diff. assy. | |
| | RU part name | Дифференциал в сборе | |
| | Size: mm | | |
| | Weight: kg | 4.5 | |
| NO. | NO.49-63-64 | | |
| Remarks:HOWO AC16 AZ9981320137 AZ9981320138 | | | |
| KD0936 | | | |
|  | Part No. | AZ9981320020 | |
| | CH part name | 差速器壳 | |
| | EN part name | Diff. assy. | |
| | RU part name | Дифференциал в сборе | |
| | Size: mm | 265*255*255 | |
| | Weight: kg | 13.5 | |
| NO. | NO.49-7-8 | | |
| Remarks:HOWO AC16 I=5.45 I=6.5 AZ9981320021 AZ9981320022 | | | |
| KD0937 | | | |
|  | Part No. | AZ9231320152 | |
| | CH part name | 行星齿轮 | |
| | EN part name | Planet gear | |
| | RU part name | Сателлиты | |
| | Size: mm | 80*80*30 | |
| | Weight: kg | 0.7 | |
| NO. | NO.49-11 | | |
| Remarks:HOWO AC16 | | | |
| KD0938 | | | |
|  | Part No. | AZ9981320031 | |
| | CH part name | 十字轴 | |
| | EN part name | Cross axle | |
| | RU part name | К рестовина | |
| | Size: mm | | |
| | Weight: kg | 1.85 | |
| NO. | NO.49-9 | | |
| Remarks:HOWO AC16 | | | |

| | | | | | |
|---|---|---|---|---|---|
|  | Part No. CH part name EN part name RU part name Size: mm Weight: kg NO. | AZ9981340074-79 补偿垫片 Shim компенсации прокладка 1.5 0.001 NO.48-67 |  | Part No. CH part name EN part name RU part name Size: mm Weight: kg NO. | KG9981340067 六角法兰面承面带齿螺栓 Toothed bolt болт 0.23 NO.48-69 |
| Remarks:HOWO AC16 | | | Remarks:HOWO AC16 | | |
|  | Part No. CH part name EN part name RU part name Size: mm Weight: kg NO. | AZ9981340065 端盖纸垫 End cover paper pad заглушка документ колодка 0.001 NO.48-70 |  | Part No. CH part name EN part name RU part name Size: mm Weight: kg NO. | AZ9981340001 轮边端盖 Wheel end cover колесо края заглушка 2 NO.48-71 |
| Remarks:HOWO AC16 | | | Remarks:HOWO AC16 | | |
|  | Part No. CH part name EN part name RU part name Size: mm Weight: kg NO. | AZ9981320225 中桥中段 i =5.45 Rear axle drive Редуктор среднего моста 185 NO.49 |  | Part No. CH part name EN part name RU part name Size: mm Weight: kg NO. | AZ9981320011 中桥主减壳 Housing of 1st rear axle drive Картер главной передачи 29 NO.49-1 |
| Remarks:HOWO AC16 AZ9981320241 i =4.77 | | | Remarks:HOWO AC16 AZ9981320010 | | |
|  | Part No. CH part name EN part name RU part name Size: mm Weight: kg NO. | AZ9981320101 过桥箱 Cross axle box Картер редуктора 35 NO.49-39 |  | Part No. CH part name EN part name RU part name Size: mm Weight: kg NO. | WG9981320102 过桥箱盖 Cross axle box cover К крышка картера редуктора 18 NO.49-47 |
| Remarks:HOWO AC16 | | | Remarks:HOWO AC16 AZ9981320102 | | |


| | | | | | |
|---|---|---|---|---|--|
|  | Part No. CH part name EN part name RU part name Size: mm Weight: kg NO. | WG880 410097 垫圈 Washer шайба 0.015 NO.46-14 |  | Part No. CH part name EN part name RU part name Size: mm Weight: kg NO. | KG9012340076 太阳轮垫圈 Washer шайба 0.2 NO.46-16 |
| Remarks:HOWO 880 410097 | | | Remarks:HOWO 99012340076 | | |
|  | Part No. CH part name EN part name RU part name Size: mm Weight: kg NO. | Q151C1295TF2 轮边行星架螺栓 Screw колесо болт 0.24 NO.46-19 |  | Part No. CH part name EN part name RU part name Size: mm Weight: kg NO. | WG880420027 行星架挡油盘 Oil drip pan Маслодержательный диск 0.24 NO.46-18 |
| Remarks: HOWO | | | Remarks:HOWO 880 420027 | | |
|  | Part No. CH part name EN part name RU part name Size: mm Weight: kg NO. | WG9231340223 半轴(左) Left drive shaft Полуось (левая) 1090*55 19.5 NO.46-21 |  | Part No. CH part name EN part name RU part name Size: mm Weight: kg NO. | WG9231340224 半轴(右) Right drive shaft Полуось (правая) 1090*55 19.5 NO.46-21 |
| Remarks:HOWO 199012340223 | | | Remarks:HOWO 199012340224 | | |
|  | Part No. CH part name EN part name RU part name Size: mm Weight: kg NO. | WG9112340021 齿圈支架总成 Support for intermed. ring gear зуб кольцо скобка 300*300*130 5.65 NO.46-25 |  | Part No. CH part name EN part name RU part name Size: mm Weight: kg NO. | KG9012340121 内齿圈(Z=57) Intermed. ring gear внутренняя передача кольцо 300*300*130 4 NO.46-26 |
| Remarks:HOWO 199112340021 | | | Remarks:HOWO 199012340121 | | |

Wheel hub and brake **NO.46**




| | | |
|--|--------------|--------------------|
|  | Part No. | WG9012340075 |
| | CH part name | 行星轮垫片 |
| | EN part name | Planet gear washer |
| | RU part name | планетарный колесо |
| | Size: mm | |
| | Weight: kg | 0.1 |
| | NO. | NO.46-10 |


Remarks:HOWO 99012340075

| | | |
|---|--------------|--------------------|
|  | Part No. | WG9012340122 |
| | CH part name | 行星轮(Z =16) |
| | EN part name | Planet gear |
| | RU part name | планетарный колесо |
| | Size: mm | 73*73*56 |
| | Weight: kg | 0.92 |
| | NO. | NO.46-12 |


Remarks:HOWO 99012340122

| | | |
|---|--------------|------------------|
|  | Part No. | WG9012340004 |
| | CH part name | 行星轮轴 |
| | EN part name | Planet gear axle |
| | RU part name | Валик сателлита |
| | Size: mm | 94*28 |
| | Weight: kg | 0.41 |
| | NO. | NO.46-8 |


Remarks:HOWO 99012340004

| | | |
|---|--------------|-----------------------|
|  | Part No. | WG99-934-013 |
| | CH part name | 滚针轴承 |
| | EN part name | Needle roller bearing |
| | RU part name | игольчатый подшипник |
| | Size: mm | |
| | Weight: kg | 0.15 |
| | NO. | NO.46-9 |

Remarks:HOWO 1-99-934-0013


| | | |
|--|--------------|--------------|
|  | Part No. | WG9012340077 |
| | CH part name | 垫圈 |
| | EN part name | Washer |
| | RU part name | шайба |
| | Size: mm | |
| | Weight: kg | 0.03 |
| | NO. | NO.46-11 |

Remarks:HOWO 99012340077


| | | |
|---|--------------|--------------------|
|  | Part No. | WG9012340005 |
| | CH part name | 太阳轮(Z =23) |
| | EN part name | Helical gear |
| | RU part name | Шестерня солнечная |
| | Size: mm | 100*50*60 |
| | Weight: kg | 2.17 |
| | NO. | NO.46-15 |

Remarks:HOWO 99012340005


| | | | | | |
|---|---|---|---|---|---|
|  | Part No. CH part name EN part name RU part name Size: mm Weight: kg NO. | WG9231340917 隔圈 Spacer ring распорка 190*110*32 1.975 NO.46-31 |  | Part No. CH part name EN part name RU part name Size: mm Weight: kg NO. | KD0844 WG9112340113 轮毂油封 Rear wheel outer and inner oil seal Сальник задней ступицы 190*220*15 0.25 NO.46-36 |
| Remarks:HOWO 199012340017 AZ9231340917 | | | Remarks: HOWO | | |
|  | Part No. CH part name EN part name RU part name Size: mm Weight: kg NO. | KD0845 190003326167 圆锥滚子轴承 Roller bearing Конический роликоподшипник 204*109*57 3.2 NO.46-28 |  | Part No. CH part name EN part name RU part name Size: mm Weight: kg NO. | KD0846 WG9112340114 轮毂油封 Rear wheel outer and inner oil seal Сальник задней ступицы 190*220*15 0.25 NO.46-37 |
| Remarks:HOWO 32222GB/T297-94 | | | Remarks: HOWO | | |
|  | Part No. CH part name EN part name RU part name Size: mm Weight: kg NO. | KD0847 WG9231340001 端盖 Cover К крышка планетпрного потрона 235*20 2.1 NO.46-3 |  | Part No. CH part name EN part name RU part name Size: mm Weight: kg NO. | KD0848 WG9012340011 端盖顶销 End cap pin штифт 0.1 NO.46-4 |
| Remarks: HOWO | | | Remarks: HOWO | | |
|  | Part No. CH part name EN part name RU part name Size: mm Weight: kg NO. | KD0849 199112340029Z 轮边减速器总成 Planetary carrier Корпус сателитов бортового редуктора 375*250 33.5 NO.46-5 |  | Part No. CH part name EN part name RU part name Size: mm Weight: kg NO. | KD0850 199112340029 行星架总成 Planetary carrier Корпус сателитов бортового редуктора 375*250 32 NO.46-5 |
| Remarks: HOWO | | | Remarks: HOWO | | |

| | | |
|---|--------------|--------------------------------|
| KD0837 | | |
|  | Part No. | WG9231320913 |
| | CH part name | 锥齿轮付28/17 |
| | EN part name | Pinion and crown wheel 28/17 |
| | RU part name | Пара конических шестерен 28/17 |
| | Size: mm | 280*320 |
| | Weight: kg | 27 |
| | NO. | NO.45-18 |


Remarks:HOWO 199012320177

| | | |
|---|--------------|--------------------------|
| KD0839 | | |
|  | Part No. | WG9231340921 |
| | CH part name | 挡油罩 |
| | EN part name | Oil drip pan |
| | RU part name | маслоотражательный кожух |
| | Size: mm | |
| | Weight: kg | 0.6 |
| | NO. | NO.46-31 |


Remarks:HOWO 199012340021

| | | |
|--|--------------|----------------|
| KD0841 | | |
|  | Part No. | AZ9231340910 |
| | CH part name | 后轮毂总成 |
| | EN part name | Rear wheel hub |
| | RU part name | Ступица задняя |
| | Size: mm | 400*400*240 |
| | Weight: kg | 34 |
| | NO. | NO.46-30 |

Remarks:HOWO AZ9761340082

| | | |
|---|--------------|-----------------------|
| KD0842 | | |
|  | Part No. | WG9012340029 |
| | CH part name | 密封圈 |
| | EN part name | Gasket |
| | RU part name | уплотнительный кольцо |
| | Size: mm | |
| | Weight: kg | 0.01 |
| | NO. | NO.46-29 |

Remarks:HOWO 199012340029

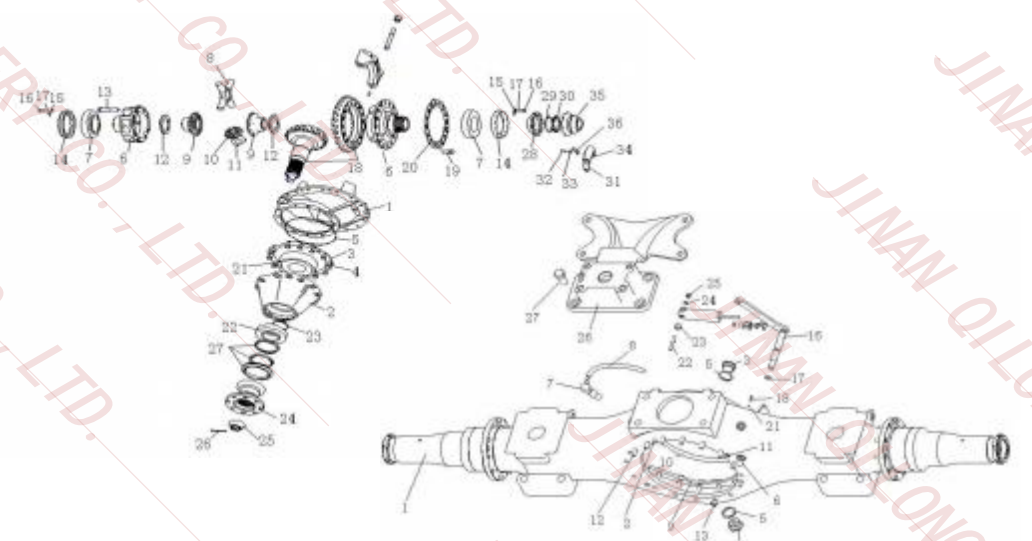
| | | |
|---|--------------|--------------|
| KD0838 | | |
|  | Part No. | WG9014330125 |
| | CH part name | 操纵杆总成 |
| | EN part name | Lever |
| | RU part name | джойстик |
| | Size: mm | 182*150*30 |
| | Weight: kg | 0.49 |
| | NO. | NO.45-16 |

Remarks:HOWO 199014330125

| | | |
|---|--------------|--|
| KD0840 | | |
|  | Part No. | WG9231340943 |
| | CH part name | 后桥气室支架 |
| | EN part name | Brake cylinder bracket(rear axle) |
| | RU part name | К ронштейн V-образной тяги заднего моста |
| | Size: mm | 400*370*122 |
| | Weight: kg | 18.71 |
| | NO. | NO.45-26 |

Remarks:HOWO AZ9231340041

Rear axle drive/Steyr rear axle housing NO.45





| | | | | | | | | | | | | | | | | | | | | | | | | | | | | | | | |
|---|---|------------------------------|---------------|--------------|-------|--------------|---------------------|--------------|----------------------------|----------|------------|------------|------|-----|-----------|---|--|----------|---------------|--------------|-------------|--------------|-------------------------|--------------|-------------------------------------|----------|-----------|------------|------|-----|-----------|
|  | <table border="1"> <tr><td>Part No.</td><td>WG79000320013</td></tr> <tr><td>CH part name</td><td>凸缘螺母</td></tr> <tr><td>EN part name</td><td>Flange nut</td></tr> <tr><td>RU part name</td><td>фланец ореха</td></tr> <tr><td>Size: mm</td><td>65*65*35</td></tr> <tr><td>Weight: kg</td><td>0.3</td></tr> <tr><td>NO.</td><td>NO.44-99</td></tr> </table> | Part No. | WG79000320013 | CH part name | 凸缘螺母 | EN part name | Flange nut | RU part name | фланец ореха | Size: mm | 65*65*35 | Weight: kg | 0.3 | NO. | NO.44-99 |  | <table border="1"> <tr><td>Part No.</td><td>WG9231326212</td></tr> <tr><td>CH part name</td><td>贯通轴双列圆锥滚子轴承</td></tr> <tr><td>EN part name</td><td>Deep chase ring bearing</td></tr> <tr><td>RU part name</td><td>роликовые подшипники</td></tr> <tr><td>Size: mm</td><td></td></tr> <tr><td>Weight: kg</td><td>0.5</td></tr> <tr><td>NO.</td><td>NO.44-100</td></tr> </table> | Part No. | WG9231326212 | CH part name | 贯通轴双列圆锥滚子轴承 | EN part name | Deep chase ring bearing | RU part name | роликовые подшипники | Size: mm | | Weight: kg | 0.5 | NO. | NO.44-100 |
| Part No. | WG79000320013 | | | | | | | | | | | | | | | | | | | | | | | | | | | | | | |
| CH part name | 凸缘螺母 | | | | | | | | | | | | | | | | | | | | | | | | | | | | | | |
| EN part name | Flange nut | | | | | | | | | | | | | | | | | | | | | | | | | | | | | | |
| RU part name | фланец ореха | | | | | | | | | | | | | | | | | | | | | | | | | | | | | | |
| Size: mm | 65*65*35 | | | | | | | | | | | | | | | | | | | | | | | | | | | | | | |
| Weight: kg | 0.3 | | | | | | | | | | | | | | | | | | | | | | | | | | | | | | |
| NO. | NO.44-99 | | | | | | | | | | | | | | | | | | | | | | | | | | | | | | |
| Part No. | WG9231326212 | | | | | | | | | | | | | | | | | | | | | | | | | | | | | | |
| CH part name | 贯通轴双列圆锥滚子轴承 | | | | | | | | | | | | | | | | | | | | | | | | | | | | | | |
| EN part name | Deep chase ring bearing | | | | | | | | | | | | | | | | | | | | | | | | | | | | | | |
| RU part name | роликовые подшипники | | | | | | | | | | | | | | | | | | | | | | | | | | | | | | |
| Size: mm | | | | | | | | | | | | | | | | | | | | | | | | | | | | | | | |
| Weight: kg | 0.5 | | | | | | | | | | | | | | | | | | | | | | | | | | | | | | |
| NO. | NO.44-100 | | | | | | | | | | | | | | | | | | | | | | | | | | | | | | |
| Remarks:HOWO 179000320013 | | Remarks: HOWO | | | | | | | | | | | | | | | | | | | | | | | | | | | | | |
|  | <table border="1"> <tr><td>Part No.</td><td>WG9012320014</td></tr> <tr><td>CH part name</td><td>拨叉</td></tr> <tr><td>EN part name</td><td>Shift fork</td></tr> <tr><td>RU part name</td><td>Переводная вилка</td></tr> <tr><td>Size: mm</td><td>115*95*32</td></tr> <tr><td>Weight: kg</td><td>0.5</td></tr> <tr><td>NO.</td><td>NO.44-103</td></tr> </table> | Part No. | WG9012320014 | CH part name | 拨叉 | EN part name | Shift fork | RU part name | Переводная вилка | Size: mm | 115*95*32 | Weight: kg | 0.5 | NO. | NO.44-103 |  | <table border="1"> <tr><td>Part No.</td><td>190003300036</td></tr> <tr><td>CH part name</td><td>深沟球轴承</td></tr> <tr><td>EN part name</td><td>Ball bearing</td></tr> <tr><td>RU part name</td><td>Шарикоподшипник с глубокой канавкой</td></tr> <tr><td>Size: mm</td><td>110*60*21</td></tr> <tr><td>Weight: kg</td><td>0.78</td></tr> <tr><td>NO.</td><td>NO.44-100</td></tr> </table> | Part No. | 190003300036 | CH part name | 深沟球轴承 | EN part name | Ball bearing | RU part name | Шарикоподшипник с глубокой канавкой | Size: mm | 110*60*21 | Weight: kg | 0.78 | NO. | NO.44-100 |
| Part No. | WG9012320014 | | | | | | | | | | | | | | | | | | | | | | | | | | | | | | |
| CH part name | 拨叉 | | | | | | | | | | | | | | | | | | | | | | | | | | | | | | |
| EN part name | Shift fork | | | | | | | | | | | | | | | | | | | | | | | | | | | | | | |
| RU part name | Переводная вилка | | | | | | | | | | | | | | | | | | | | | | | | | | | | | | |
| Size: mm | 115*95*32 | | | | | | | | | | | | | | | | | | | | | | | | | | | | | | |
| Weight: kg | 0.5 | | | | | | | | | | | | | | | | | | | | | | | | | | | | | | |
| NO. | NO.44-103 | | | | | | | | | | | | | | | | | | | | | | | | | | | | | | |
| Part No. | 190003300036 | | | | | | | | | | | | | | | | | | | | | | | | | | | | | | |
| CH part name | 深沟球轴承 | | | | | | | | | | | | | | | | | | | | | | | | | | | | | | |
| EN part name | Ball bearing | | | | | | | | | | | | | | | | | | | | | | | | | | | | | | |
| RU part name | Шарикоподшипник с глубокой канавкой | | | | | | | | | | | | | | | | | | | | | | | | | | | | | | |
| Size: mm | 110*60*21 | | | | | | | | | | | | | | | | | | | | | | | | | | | | | | |
| Weight: kg | 0.78 | | | | | | | | | | | | | | | | | | | | | | | | | | | | | | |
| NO. | NO.44-100 | | | | | | | | | | | | | | | | | | | | | | | | | | | | | | |
| Remarks: HOWO | | Remarks:HOWO 6212-GB/T276-94 | | | | | | | | | | | | | | | | | | | | | | | | | | | | | |
|  | <table border="1"> <tr><td>Part No.</td><td>WG3809320156</td></tr> <tr><td>CH part name</td><td>滑动啮合套</td></tr> <tr><td>EN part name</td><td>Sliding engage cowl</td></tr> <tr><td>RU part name</td><td>С кользящая зубчатая муфта</td></tr> <tr><td>Size: mm</td><td>120*120*60</td></tr> <tr><td>Weight: kg</td><td>1.65</td></tr> <tr><td>NO.</td><td>NO.44-107</td></tr> </table> | Part No. | WG3809320156 | CH part name | 滑动啮合套 | EN part name | Sliding engage cowl | RU part name | С кользящая зубчатая муфта | Size: mm | 120*120*60 | Weight: kg | 1.65 | NO. | NO.44-107 |  | <table border="1"> <tr><td>Part No.</td><td>WG3809320155</td></tr> <tr><td>CH part name</td><td>固定啮合套</td></tr> <tr><td>EN part name</td><td>Fixed engage cowl</td></tr> <tr><td>RU part name</td><td>Неподвижная зубчатая муфта</td></tr> <tr><td>Size: mm</td><td>120*28*70</td></tr> <tr><td>Weight: kg</td><td>1.02</td></tr> <tr><td>NO.</td><td>NO.44-109</td></tr> </table> | Part No. | WG3809320155 | CH part name | 固定啮合套 | EN part name | Fixed engage cowl | RU part name | Неподвижная зубчатая муфта | Size: mm | 120*28*70 | Weight: kg | 1.02 | NO. | NO.44-109 |
| Part No. | WG3809320156 | | | | | | | | | | | | | | | | | | | | | | | | | | | | | | |
| CH part name | 滑动啮合套 | | | | | | | | | | | | | | | | | | | | | | | | | | | | | | |
| EN part name | Sliding engage cowl | | | | | | | | | | | | | | | | | | | | | | | | | | | | | | |
| RU part name | С кользящая зубчатая муфта | | | | | | | | | | | | | | | | | | | | | | | | | | | | | | |
| Size: mm | 120*120*60 | | | | | | | | | | | | | | | | | | | | | | | | | | | | | | |
| Weight: kg | 1.65 | | | | | | | | | | | | | | | | | | | | | | | | | | | | | | |
| NO. | NO.44-107 | | | | | | | | | | | | | | | | | | | | | | | | | | | | | | |
| Part No. | WG3809320155 | | | | | | | | | | | | | | | | | | | | | | | | | | | | | | |
| CH part name | 固定啮合套 | | | | | | | | | | | | | | | | | | | | | | | | | | | | | | |
| EN part name | Fixed engage cowl | | | | | | | | | | | | | | | | | | | | | | | | | | | | | | |
| RU part name | Неподвижная зубчатая муфта | | | | | | | | | | | | | | | | | | | | | | | | | | | | | | |
| Size: mm | 120*28*70 | | | | | | | | | | | | | | | | | | | | | | | | | | | | | | |
| Weight: kg | 1.02 | | | | | | | | | | | | | | | | | | | | | | | | | | | | | | |
| NO. | NO.44-109 | | | | | | | | | | | | | | | | | | | | | | | | | | | | | | |
| Remarks:HOWO 138009320156 | | Remarks:HOWO 138009320155 | | | | | | | | | | | | | | | | | | | | | | | | | | | | | |
|  | <table border="1"> <tr><td>Part No.</td><td>WG9231320141</td></tr> <tr><td>CH part name</td><td>轴承座</td></tr> <tr><td>EN part name</td><td>Bearing seat</td></tr> <tr><td>RU part name</td><td>К крышка подшипника</td></tr> <tr><td>Size: mm</td><td>160*105*30</td></tr> <tr><td>Weight: kg</td><td>1.2</td></tr> <tr><td>NO.</td><td>NO.44-97</td></tr> </table> | Part No. | WG9231320141 | CH part name | 轴承座 | EN part name | Bearing seat | RU part name | К крышка подшипника | Size: mm | 160*105*30 | Weight: kg | 1.2 | NO. | NO.44-97 |  | <table border="1"> <tr><td>Part No.</td><td>AH71131551953</td></tr> <tr><td>CH part name</td><td>三段式铸造后桥</td></tr> <tr><td>EN part name</td><td>Rear axle assy.</td></tr> <tr><td>RU part name</td><td>Задний ведущий мост в сборе</td></tr> <tr><td>Size: mm</td><td>1850</td></tr> <tr><td>Weight: kg</td><td>780</td></tr> <tr><td>NO.</td><td>NO.45</td></tr> </table> | Part No. | AH71131551953 | CH part name | 三段式铸造后桥 | EN part name | Rear axle assy. | RU part name | Задний ведущий мост в сборе | Size: mm | 1850 | Weight: kg | 780 | NO. | NO.45 |
| Part No. | WG9231320141 | | | | | | | | | | | | | | | | | | | | | | | | | | | | | | |
| CH part name | 轴承座 | | | | | | | | | | | | | | | | | | | | | | | | | | | | | | |
| EN part name | Bearing seat | | | | | | | | | | | | | | | | | | | | | | | | | | | | | | |
| RU part name | К крышка подшипника | | | | | | | | | | | | | | | | | | | | | | | | | | | | | | |
| Size: mm | 160*105*30 | | | | | | | | | | | | | | | | | | | | | | | | | | | | | | |
| Weight: kg | 1.2 | | | | | | | | | | | | | | | | | | | | | | | | | | | | | | |
| NO. | NO.44-97 | | | | | | | | | | | | | | | | | | | | | | | | | | | | | | |
| Part No. | AH71131551953 | | | | | | | | | | | | | | | | | | | | | | | | | | | | | | |
| CH part name | 三段式铸造后桥 | | | | | | | | | | | | | | | | | | | | | | | | | | | | | | |
| EN part name | Rear axle assy. | | | | | | | | | | | | | | | | | | | | | | | | | | | | | | |
| RU part name | Задний ведущий мост в сборе | | | | | | | | | | | | | | | | | | | | | | | | | | | | | | |
| Size: mm | 1850 | | | | | | | | | | | | | | | | | | | | | | | | | | | | | | |
| Weight: kg | 780 | | | | | | | | | | | | | | | | | | | | | | | | | | | | | | |
| NO. | NO.45 | | | | | | | | | | | | | | | | | | | | | | | | | | | | | | |
| Remarks:HOWO 199014320141 | | Remarks:HOWO I =5.73 I =4.8 | | | | | | | | | | | | | | | | | | | | | | | | | | | | | |

| | | | | | |
|---|---|---|---|---|--|
|  | Part No. CH part name EN part name RU part name Size: mm Weight: kg NO. | AZ9231320261 贯通轴 Perforation shaft СКВОЗНОЙ вал 720*70*70 8.36 NO.44-95 |  | Part No. CH part name EN part name RU part name Size: mm Weight: kg NO. | 199114320031 贯通轴 Perforation shaft СКВОЗНОЙ вал 685*70 8.15 NO.44-95 |
| Remarks:HOWO HC16 | | | Remarks:HOWO STEYR | | |
|  | Part No. CH part name EN part name RU part name Size: mm Weight: kg NO. | AZ9231320205 贯通轴凸缘 Flange Фланец среднего моста 165*165*60 3.2 NO.44-96 |  | Part No. CH part name EN part name RU part name Size: mm Weight: kg NO. | AZ9761321010 贯通轴46齿L=680 Perforated shaft П роходной вал 685*70*70 8.36 NO.44-95 |
| Remarks:HOWO WG9231320205 | | | Remarks:HOWO AZ9761321010-L =700 | | |
|  | Part No. CH part name EN part name RU part name Size: mm Weight: kg NO. | AZ9128320014 180端面齿法兰总成 End tooth flange assembly Фланец среднего моста 180mm 4 отверстия 180*180*80 3.8 NO.44-60 |  | Part No. CH part name EN part name RU part name Size: mm Weight: kg NO. | WG9114320178 接油板总成 Oil supply plate assembly забрать нефти Совета Ассамблеи 1.01 NO.44-21 |
| Remarks: HOWO | | | Remarks: HOWO | | |
|  | Part No. CH part name EN part name RU part name Size: mm Weight: kg NO. | WG9014320205 贯通轴凸缘 Flange Фланец среднего моста 180*180*60 3.4 NO.44-96 |  | Part No. CH part name EN part name RU part name Size: mm Weight: kg NO. | 199014320205 贯通轴凸缘 Flange Фланец среднего моста 165*165*60 3.2 NO.44-96 |
| Remarks: HOWO | | | Remarks: HOWO | | |





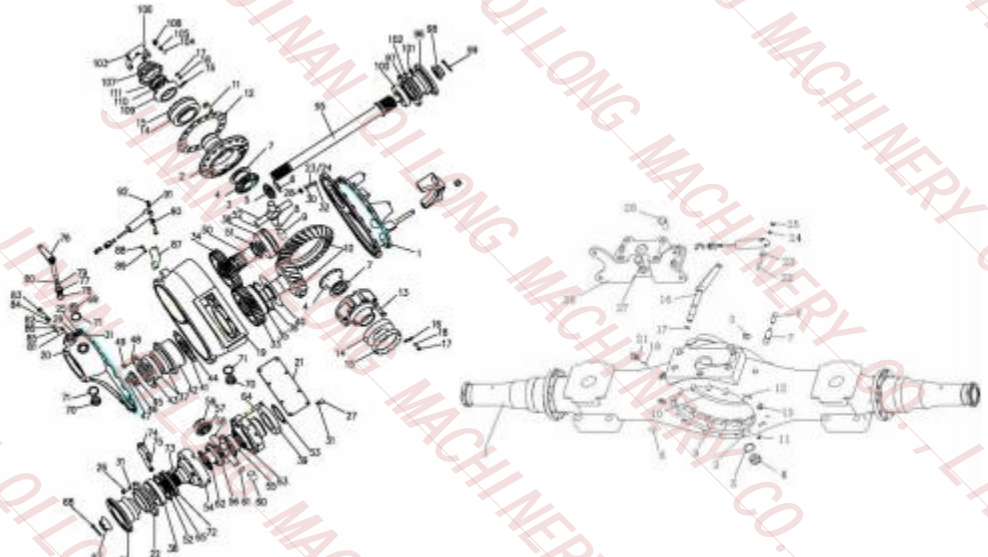


| | | | | | |
|---|---|--|---|---|--|
|  | Part No. CH part name EN part name RU part name Size: mm Weight: kg NO. | WG9231320091 半轴齿轮垫片 Drive shaft gear washer Шайба дифференциала передняя 110*110*3 0.12 NO.44-62 |  | Part No. CH part name EN part name RU part name Size: mm Weight: kg NO. | AZ9231320096 半轴齿轮垫片 Drive shaft gear washer Шайба дифференциала передняя 110*110*3 0.08 NO.44-63 |
| Remarks:HOWO 199014320067 | | | Remarks:HOWO 199014320071 | | |
|  | Part No. CH part name EN part name RU part name Size: mm Weight: kg NO. | WG288320105 差速锁锁环 Lock ring запирающий кольцо 0.5 NO.44-72 |  | Part No. CH part name EN part name RU part name Size: mm Weight: kg NO. | WG288320106 差速锁销 Housing(front) Штифт механизма блокировки дифф-ла 43*12 0.036 NO.44-73 |
| Remarks: HOWO | | | Remarks:HOWO 1228 320106 | | |
|  | Part No. CH part name EN part name RU part name Size: mm Weight: kg NO. | WG1800 320077 拨叉活动块 Between axle вилка деятельности блок 26.5*17.7*9.4 0.05 NO.44-75 |  | Part No. CH part name EN part name RU part name Size: mm Weight: kg NO. | WG9014320053 拨叉 Fork activity block Переводная вилка 155*110*34 0.4 NO.44-74 |
| Remarks:HOWO 180000320077 | | | Remarks:HOWO 199014320053 | | |
|  | Part No. CH part name EN part name RU part name Size: mm Weight: kg NO. | WG9014320076 差速锁摇臂总成 Rocker arm рокер руку 182*108*30 0.5 NO.44-76 |  | Part No. CH part name EN part name RU part name Size: mm Weight: kg NO. | WG9231320026 贯通轴油封 oil seal сальник 0.25 NO.44-94 |
| Remarks:HOWO 199014320076 | | | Remarks:HOWO 190003070026 | | |

| | | | | | |
|---|---|--|---|---|---|
|  | Part No. CH part name EN part name RU part name Size: mm Weight: kg NO. | WG9012250031 开槽园螺母 Slotted nut прорезная гайка 0.17 NO.44-49 |  | Part No. CH part name EN part name RU part name Size: mm Weight: kg NO. | KG9014320131 调整垫片 Adjusting shim корректировки прокладка 0.01 NO.44-42 |
| Remarks: HOWO | | | Remarks: HOWO WG9014320134 WG9014320133 WG9014320132 | | |
|  | Part No. CH part name EN part name RU part name Size: mm Weight: kg NO. | WG9014320135 花键空心轴 Hollow shaft Вал полый 165*65*65 1.9 NO.44-50 |  | Part No. CH part name EN part name RU part name Size: mm Weight: kg NO. | AZ9231320271 轴间差速器总成(46齿) Diff. assy. Дифференциал в сборе 46 зубьев 345*200 20.36 NO.44-54 |
| Remarks: HOWO 199014320135 | | | Remarks: HOWO | | |
|  | Part No. CH part name EN part name RU part name Size: mm Weight: kg NO. | WG9231320226 后半轴齿轮 Drive shaft rear bevel pinion Шестерня межосевого дифференциала задняя 120*62*50 1.13 NO.44-55 |  | Part No. CH part name EN part name RU part name Size: mm Weight: kg NO. | WG9231320071 轴间差速器总成(8齿) Diff. assy. Дифференциал в сборе 8зубьев 345*200 20.4 NO.44-54 |
| Remarks: HOWO 199014320059 | | | Remarks: HOWO 199014320166 | | |
|  | Part No. CH part name EN part name RU part name Size: mm Weight: kg NO. | WG9231320225 前半轴齿轮 Drive shaft front bevel pinion Шестерня межосевого дифференциала передняя 119*58*40 1.82 NO.44-56 |  | Part No. CH part name EN part name RU part name Size: mm Weight: kg NO. | WG9231320224 行星齿轮垫片 Washer Шайба шестерни дифференциала 80*80*1 0.01 NO.44-57 |
| Remarks: HOWO WG9114320032 | | | Remarks: HOWO AZ9231320224 | | |









| | | | | | |
|---|---|--|---|---|--|
|  | Part No. CH part name EN part name RU part name Size: mm Weight: kg NO. | 199114320002 主动圆柱齿轮 Drive gear Ведущая цилиндрическая шестерня 230*230*60 6 NO.44-33 |  | Part No. CH part name EN part name RU part name Size: mm Weight: kg NO. | 199014320208 从动园柱齿轮 Driven cylindrical gear на цилиндрические лова 220*220*60 5 NO.44-34 |
| Remarks:HOWO STEYR | | | Remarks:HOWO STEYR | | |
|  | Part No. CH part name EN part name RU part name Size: mm Weight: kg NO. | 190003326333 圆锥滚子轴承 Roller bearing Конический роликоподшипник 119*53*39 1.53 NO.44-37 |  | Part No. CH part name EN part name RU part name Size: mm Weight: kg NO. | 190003311543 有止动槽的内球轴承 Ball bearing Подшипник моста среднего 130*60*31 1.65 NO.44-38 |
| Remarks:HOWO 31311GB/T297-94 | | | Remarks:HOWO 6312NGB/T276-94 | | |
|  | Part No. CH part name EN part name RU part name Size: mm Weight: kg NO. | 190003310239 带防尘盖深沟球轴承 Ball bearing Шар . подшипник с пылезащитной крышкой и глуб. канавк. 145*95*25 1.17 NO.44-39 |  | Part No. CH part name EN part name RU part name Size: mm Weight: kg NO. | WG9014320129 轴承座 Bearing housing с сиденья 101 NO.44-42 |
| Remarks:HOWO 6019-ZGB/T276-94 | | | Remarks:HOWO 199014320129 | | |
|  | Part No. CH part name EN part name RU part name Size: mm Weight: kg NO. | WG780320088 轴承压板 Spacer КОСМОНИТЫ 0.1 NO.44-45 |  | Part No. CH part name EN part name RU part name Size: mm Weight: kg NO. | WG9014320128 轴承压板 Bearing external ring подшипник датчик давления 0.21 NO.44-43 |
| Remarks:HOWO 178000320088 | | | Remarks:HOWO 199014320128 | | |

| | | | | | |
|---|---|---|---|---|--|
|  | Part No. CH part name EN part name RU part name Size: mm Weight: kg NO. | 1880 320012 半轴齿轮垫片 Drive shaft gear washer Шайба дифференциала передняя 110*110*3 0.08 NO.44-7 |  | Part No. CH part name EN part name RU part name Size: mm Weight: kg NO. | 199012320150 行星齿轮垫片 Washer Шайба шестерни дифференциала 80*80*1 0.01 NO.44-6 |
| Remarks: HOWO | | | Remarks: HOWO D =24 | | |
|  | Part No. CH part name EN part name RU part name Size: mm Weight: kg NO. | AZ9231320154-158 调整垫片 Drive shaft gear washer Шайба дифференциала передняя 110*110*3 0.08 NO.44-7 |  | Part No. CH part name EN part name RU part name Size: mm Weight: kg NO. | WG9114320251 锥齿轮副28/17 Pinion and crown wheel рейкой и зубчатого колеса 22 NO.44-10 |
| Remarks: HOWO | | | Remarks: HOWO AZ9114320251 | | |
|  | Part No. CH part name EN part name RU part name Size: mm Weight: kg NO. | 190003326148 圆锥滚子轴承 Roller bearing Конический роликоподшипник 165*80*62 3.7 NO.44-14 |  | Part No. CH part name EN part name RU part name Size: mm Weight: kg NO. | WG9014320136 主动圆柱齿轮 Drive gear Ведущая цилиндрическая шестерня 205*62*45 6.2 NO.44-33 |
| Remarks: HOWO 32216GB/T297-94 | | | Remarks: HOWO HC16 | | |
|  | Part No. CH part name EN part name RU part name Size: mm Weight: kg NO. | WG9014320257 滚柱轴承 Bearing Роликоподшипник 150*69.4*34.7 2.9 NO.44-35 |  | Part No. CH part name EN part name RU part name Size: mm Weight: kg NO. | WG9014320137 从动园柱齿轮 Driven cylindrical gear на цилиндрические лова 190*62*45 4.99 NO.44-34 |
| Remarks: HOWO | | | Remarks: HOWO HC16 | | |

| | | | | | |
|---|---|--|---|---|---|
|  | Part No. CH part name EN part name RU part name Size: mm Weight: kg NO. | AZ9231320150 十字轴 Spider К рестовина дифференциала 185*185*27 1.39 NO.44-3 |  | Part No. CH part name EN part name RU part name Size: mm Weight: kg NO. | KD0774 WG9014330146 弓形固定卡总成(下) Connecting clip below подключение клип ниже 0.54 NO.44-9 |
| Remarks: HOWO | | | Remarks: HOWO | | |
|  | Part No. CH part name EN part name RU part name Size: mm Weight: kg NO. | KD0775 199014320091 十字轴 Spider К рестовина дифференциала 185*185*24 1.39 NO.44-3 |  | Part No. CH part name EN part name RU part name Size: mm Weight: kg NO. | KD0776 199012320009 半轴齿轮 Drive shaft bevel pinion Шестерня межосевого дифференциала 120*54*67 1.33 NO.44-4 |
| Remarks: HOWO WG9014320091 | | | Remarks: HOWO | | |
|  | Part No. CH part name EN part name RU part name Size: mm Weight: kg NO. | KD0777 WG9231320152 行星齿轮 Planetary gear Шестерня дифференциала 80*80*30 0.6 NO.44-5 |  | Part No. CH part name EN part name RU part name Size: mm Weight: kg NO. | KD0778 WG9231320151 半轴齿轮 Drive shaft bevel pinion Шестерня межосевого дифференциала 1.33 NO.44-4 |
| Remarks: HOWO D =27 | | | Remarks: HOWO | | |
|  | Part No. CH part name EN part name RU part name Size: mm Weight: kg NO. | KD0779 199012320010 行星齿轮 Planetary gear Шестерня дифференциала 80*80*30 0.6 NO.44-5 |  | Part No. CH part name EN part name RU part name Size: mm Weight: kg NO. | KD0780 WG9231320153 行星齿轮垫片 Washer Шайба шестерни дифференциала 80*80*1 0.01 NO.44-6 |
| Remarks: HOWO AZ9012320010 D =24 | | | Remarks: HOWO D =27 | | |

| | | | | | |
|---|---|---|---|--|--|
|  | Part No. CH part name EN part name RU part name Size: mm Weight: kg NO. | WG9014320175 端盖 Cover К крышка подшипника 179*179*36 1.3 NO.44-19 |  | Part No. CH part name EN part name RU part name Size: mm Weight: kg NO. | KG9014320174 挡油盘 Oil baffle маслоотражатель 0.01 NO.44-38 |
| Remarks:HOWO 199014320175 | | | Remarks: HOWO | | |
|  | Part No. CH part name EN part name RU part name Size: mm Weight: kg NO. | AZ9231320272 差速器壳 Diff. housing Картер дифференциала 265*255 15 NO.44-2 |  | Part No. CH part name EN part name RU part name Size: mm Weight: kg NO. | WG9014330126 操纵杆 Lever джойстик 0.56 NO.44-16 |
| Remarks:HOWO 199014320165 | | | Remarks: HOWO | | |
| Bridge shell/ First rear axle drive NO.44 | | | | | |
|  | | |  | Part No. CH part name EN part name RU part name Size: mm Weight: kg NO. | WG9231340042 气室支架 Bracket кронштейн 5 NO.44-26 |
| Remarks: HOWO | | | Remarks: HOWO | | |
|  | | | Part No. CH part name EN part name RU part name Size: mm Weight: kg NO. | WG9014330147 弓形固定卡总成(上) Connecting clip above подключение клип выше 0.54 NO.44-10 | |
| Remarks: HOWO | | | Remarks: HOWO | | |

| | | | | | |
|---|---|--|---|---|--|
|  | Part No. CH part name EN part name RU part name Size: mm Weight: kg NO. | WG9112410019 齿圈 Annulus ring КОЛЬЦО, КОЛЬЦО 0.6 NO.43-13 |  | Part No. CH part name EN part name RU part name Size: mm Weight: kg NO. | KD0744 WG9003074387 轴密封圈 Sealing ring for shaft вал с уплотнительный кольцо 0.1 NO.43-12 |
| Remarks: HOWO | | | Remarks: HOWO | | |
|  | Part No. CH part name EN part name RU part name Size: mm Weight: kg NO. | KD0745 WG9100411014 轮毂内轴承 Row tapered roller bearing конические роликовые подшипники 150*69*57 4.3 NO.43-11 |  | Part No. CH part name EN part name RU part name Size: mm Weight: kg NO. | KD0746 WG9100411010 轮毂外轴承 Row tapered roller bearing конические роликовые подшипники 6.2 NO.43-6 |
| Remarks: HOWO 32314 | | | Remarks: HOWO 7614EK | | |
|  | Part No. CH part name EN part name RU part name Size: mm Weight: kg NO. | KD0747 WG9100410212 车轮螺栓 Wheel bolt колесо вольт 0.45 NO.43-10 |  | Part No. CH part name EN part name RU part name Size: mm Weight: kg NO. | KD0748 AZ9100412211 前轮毂 Front hub ступица 21 NO.43-9 |
| Remarks: HOWO | | | Remarks: HOWO | | |
|  | Part No. CH part name EN part name RU part name Size: mm Weight: kg NO. | KD0749 WG9003884160 车轮螺母 Nut гайка 55*55*30 0.163 NO.43-8 |  | Part No. CH part name EN part name RU part name Size: mm Weight: kg NO. | KD0750 AZ9719411011 转向节臂 Steering knuckle Arm руководящий руку 1.53 NO.43-35 |
| Remarks: HOWO | | | Remarks: HOWO | | |

| | | | | | |
|---|---|---|---|---|--|
|  | Part No. CH part name EN part name RU part name Size: mm Weight: kg NO. | 199000420019 行星架凸缘总成 Planetary bracket (flange) assembly планетарная скобки (фланец) ассамблея 19.8 NO.42-11 |  | Part No. CH part name EN part name RU part name Size: mm Weight: kg NO. | 1880440024 制动凸轮轴(R) Right brake camshaft Кулачковый вал заднего тормоза правый 3.8 NO.41-32 |
| Remarks:HOWO 4*4 8*4 | | | Remarks: HOWO | | |
|  | Part No. CH part name EN part name RU part name Size: mm Weight: kg NO. | 199000420052 前轮毂 Front hub отдел снабжения 19.5 NO.42-35 |  | Part No. CH part name EN part name RU part name Size: mm Weight: kg NO. | 1880440023 制动凸轮轴(L) Left brake camshaft Кулачковый вал заднего тормоза левый 3.8 NO.41-32 |
| Remarks:HOWO 4*4 8*4 | | | Remarks: HOWO | | |
|  | Part No. CH part name EN part name RU part name Size: mm Weight: kg NO. | 199000410103 轮胎螺栓 Wheel bolt Болт колеса 0.45 NO.42-34 |  | Part No. CH part name EN part name RU part name Size: mm Weight: kg NO. | 199000340027 滚轮 Roller Ролик 0.32 NO.41-41 |
| Remarks:HOWO 4*4 8*4 | | | Remarks:HOWO HC16 AC16 | | |
|  | Part No. CH part name EN part name RU part name Size: mm Weight: kg NO. | 1880420028 隔环 Caulking ring уплотнение кольцо 0.58 NO.42-31 |  | Part No. CH part name EN part name RU part name Size: mm Weight: kg NO. | AZ9100410015 轴密封圈 Sealing ring for shaft вал с уплотнительный кольцо 0.1 NO.42-32 |
| Remarks:HOWO 4*4 8*4 | | | Remarks:HOWO 4*4 8*4 | | |

| Front drive axle 4*4 8*4 | | NO.40 | |
|---|----------|---|---------------------------------|
|  | | KD0695 | |
| | |  | |
| | | Part No. | AZ9231420047 |
| | | CH part name | 前桥中段 |
| | | EN part name | Front axle reducer |
| | | RU part name | редуктор переднего моста |
| | | Size: mm | 450*450*550 |
| Weight: kg | 110 | | |
| NO. | NO.40 | | |
| Remarks:HOWO 4*4 8*4 I=5.73 I=6.72 I=8.4 I=9.48 I=7.49 | | | |
|  | | KD0696 | |
| | | Part No. | 199100410007 |
| | | CH part name | 前轴叉总成 |
| | | EN part name | Front axle fork assembly |
| | | RU part name | передняя вилка Ассамблеи |
| | | Size: mm | |
| | | Weight: kg | 5.8 |
| NO. | NO.41-30 | | |
| Remarks:HOWO 4*4 8*4 | | | |
|  | | KD0697 | |
| | | Part No. | AZ9100410110 |
| | | CH part name | 轴密封圈(外) |
| | | EN part name | Shaft sealing ring (external) |
| | | RU part name | вал уплотнения кольца (внешних) |
| | | Size: mm | |
| | | Weight: kg | 0.1 |
| NO. | NO.41-32 | | |
| Remarks:HOWO 4*4 8*4 | | | |
|  | | KD0698 | |
| | | Part No. | 190003078645 |
| | | CH part name | 轴密封圈(内) |
| | | EN part name | Shaft sealing ring (inside) |
| | | RU part name | вал уплотнения кольца (внутри) |
| | | Size: mm | |
| | | Weight: kg | 0.1 |
| NO. | NO.41-32 | | |
| Remarks:HOWO 4*4 8*4 | | | |
|  | | KD0699 | |
| | | Part No. | 190003311467 |
| | | CH part name | 带密封圈深沟球轴承 |
| | | EN part name | Bearing |
| | | RU part name | принимая |
| | | Size: mm | |
| | | Weight: kg | 0.68 |
| NO. | NO.41-33 | | |
| Remarks:HOWO 4*4 8*4 | | | |
|  | | KD0700 | |
| | | Part No. | 99100410006XLB |
| | | CH part name | 转向节修理包 |
| | | EN part name | Steering knuckle repair kit |
| | | RU part name | руководящий огузок аптечка |
| | | Size: mm | |
| | | Weight: kg | 7.9 |
| NO. | NO.41 | | |
| Remarks:HOWO 4*4 8*4 | | | |

| | | | | | |
|--|--|---|---|---|--|
|  | Part No. CH part name EN part name RU part name Size: mm Weight: kg NO. | AH7141.600101 前驱动桥 Front drive axle передний привод мост 320 NO.40 |  | Part No. CH part name EN part name RU part name Size: mm Weight: kg NO. | KD0688 199112410075 前桥壳总成 Front axle housing assembly передняя ось скорлупы Ассамблеи 189 NO.40-1 |
| Remarks:HOWO i =6.72 8*4 | | | Remarks:HOWO 8*4 | | |
|  | Part No. CH part name EN part name RU part name Size: mm Weight: kg Price: usd | KD0689 AZ9112420001 等速万向驱动轴 Constant speed universal drive shaft изокинетический карданный вал 21.5 NO.40 |  | Part No. CH part name EN part name RU part name Size: mm Weight: kg NO. | KD0690 199000420056 锥齿轮副 Pinion and crown wheel Пара конических шестерен 280*320 22.95 NO.40-10 |
| Remarks:HOWO WG9112420001 4*4 8*4 | | | Remarks:HOWO 4*4 8*4 I =7.49 28/13 | | |
|  | Part No. CH part name EN part name RU part name Size: mm Weight: kg NO. | KD0691 199000420058 锥齿轮副 Pinion and crown wheel Пара конических шестерен 280*320 22.95 NO.40-10 |  | Part No. CH part name EN part name RU part name Size: mm Weight: kg NO. | KD0692 199000420057 锥齿轮副 Pinion and crown wheel Пара конических шестерен 280*320 22.95 NO.40-10 |
| Remarks:HOWO 4*4 8*4 I =9.48 30/11 | | | Remarks:HOWO 4*4 8*4 I =8.4 29/12 | | |
|  | Part No. CH part name EN part name RU part name Size: mm Weight: kg NO. | KD0693 199000420055 锥齿轮副 Pinion and crown wheel Пара конических шестерен 280*320 22.95 NO.40-10 |  | Part No. CH part name EN part name RU part name Size: mm Weight: kg NO. | KD0694 199000420054 锥齿轮副 Pinion and crown wheel Пара конических шестерен 280*320 22.95 NO.40-10 |
| Remarks:HOWO 4*4 8*4 I =6.72 29/15 | | | Remarks:HOWO 4*4 8*4 I =5.73 28/17 | | |

| | | | | | |
|---|--|--|---|--|---|
|  | Part No. CH part name EN part name RU part name Size: mm Weight: kg Price: usd | AZ9118470024 动力缸球头 Ball jonit Наконечник рул . гидроцилиндра 114*110*62 1.15 NO.39-24 |  | Part No. CH part name EN part name RU part name Size: mm Weight: kg Price: usd | 199018470016 柄杆总成 Handle rod assembly ручки род Ассамблеи 9.4 NO.39-15 |
| Remarks:HOWO 8*4 | | | Remarks:HOWO 8*4 | | |
|  | Part No. CH part name EN part name RU part name Size: mm Weight: kg Price: usd | AZ9118470025 动力缸球头 Ball jonit Наконечник рул . гидроцилиндра 114*110*62 1.15 NO.39-23 |  | Part No. CH part name EN part name RU part name Size: mm Weight: kg Price: usd | AZ9100430218-4 转向横拉球头左(小) Left ball jonit Наконечник тяги поперечной рулевой левый 153*111*61.5 1.2 NO.39-30 |
| Remarks: HOWO | | | Remarks:HOWO 8*4 6*4 | | |
|  | Part No. CH part name EN part name RU part name Size: mm Weight: kg NO. | 199100430701 转向直接杆球头(大) Ball joint Наконечник продольной рулевой тяги правый 153.5*118.5*65 1.4 NO.39-38 |  | Part No. CH part name EN part name RU part name Size: mm Weight: kg NO. | AZ9100430218-11 转向横拉球头右(小) Right ball jonit Наконечник тяги поперечной рулевой правый 153*111*61.5 1.2 NO.39-41 |
| Remarks:HOWO 6*4 8*4 | | | Remarks:HOWO 8*4 6*4 | | |
|  | Part No. CH part name EN part name RU part name Size: mm Weight: kg NO. | 199100430704 转向直接杆球头(大) Ball joint Наконечник продольной рулевой тяги правый 153.5*118.5*65 1.4 NO.39-39 |  | Part No. CH part name EN part name RU part name Size: mm Weight: kg NO. | AH7141.600102 前驱动桥 Front drive axle передний привод мост NO.40 |
| Remarks:HOWO 6*4 8*4 | | | Remarks:HOWO i =5.73 8*4 | | |